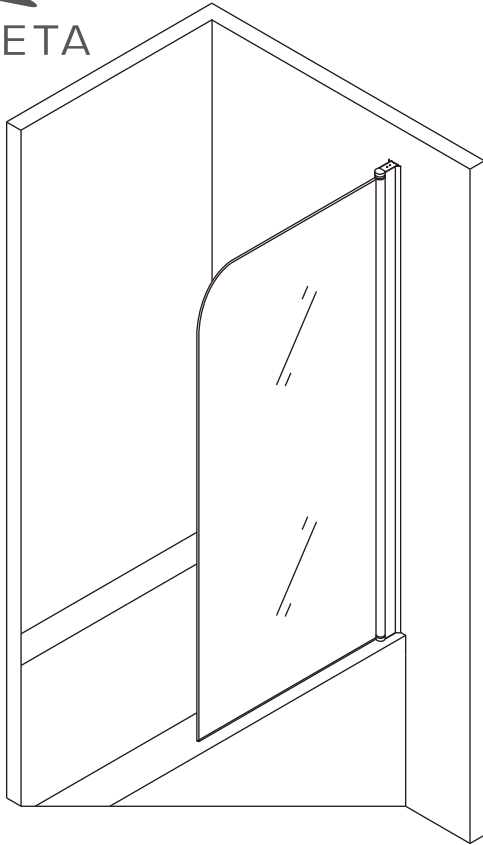
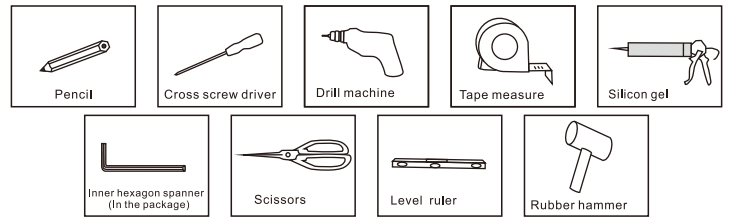


INSTALLATION MANUAL RUB-501 150x70

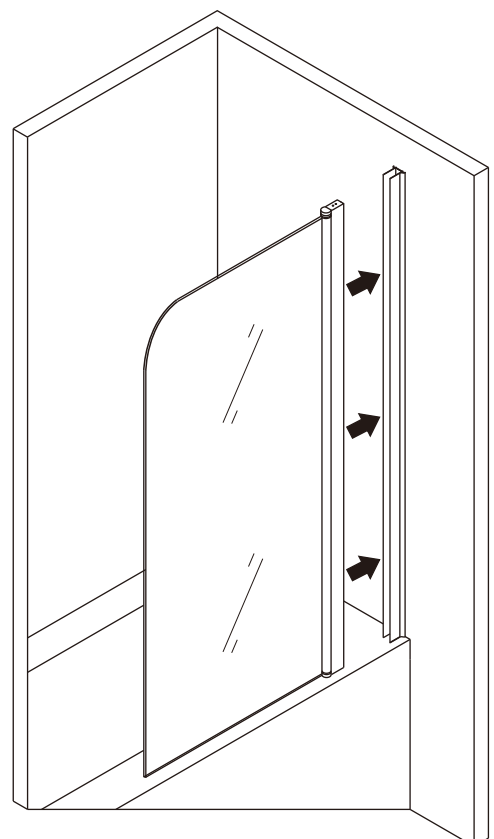
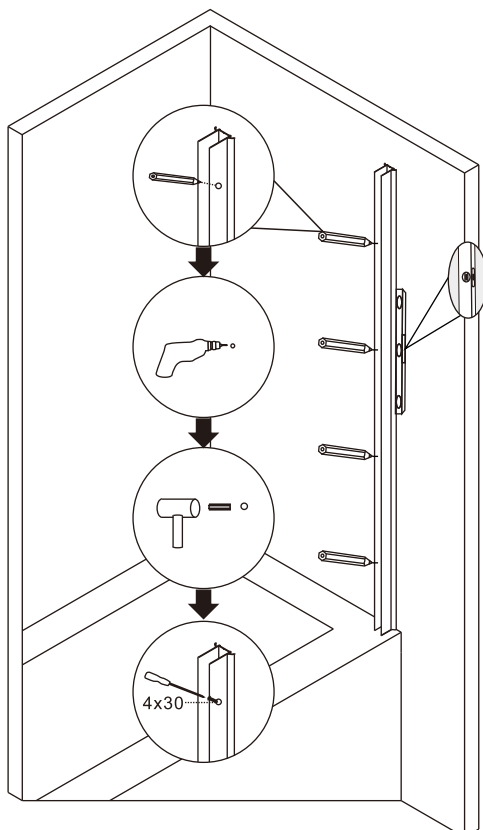
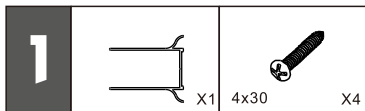


TOOL PICTURE



Accessory list

X1	X1	4x30 X4	X2
4x16 X2	X1	Ø3.2 X1	X4



3



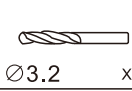
4x16



X2

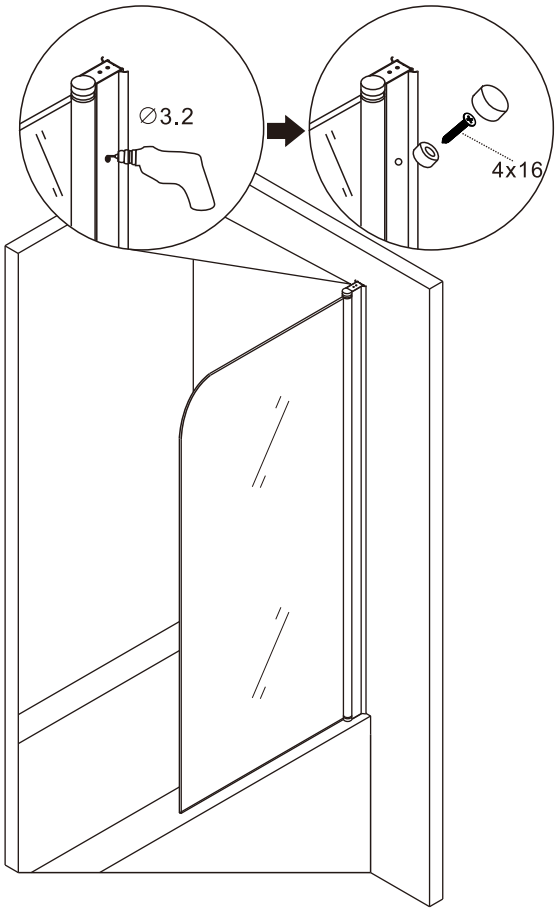


X2



Ø3.2

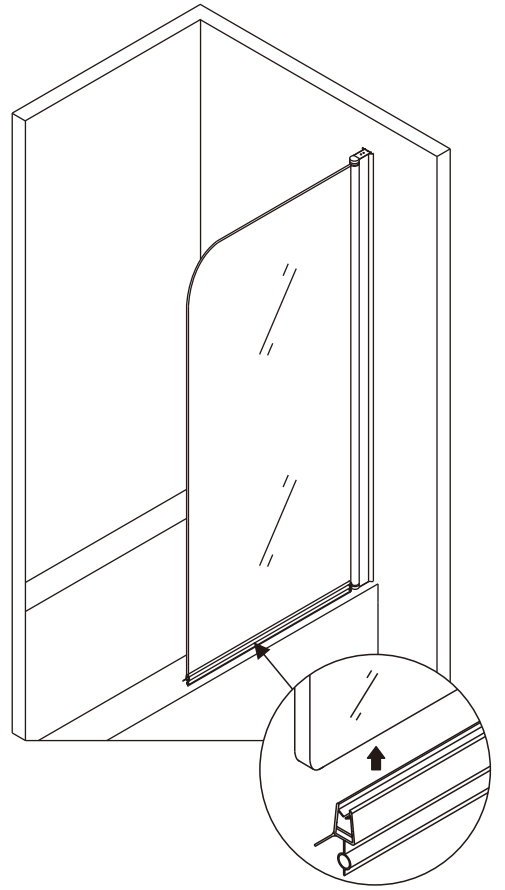
X1



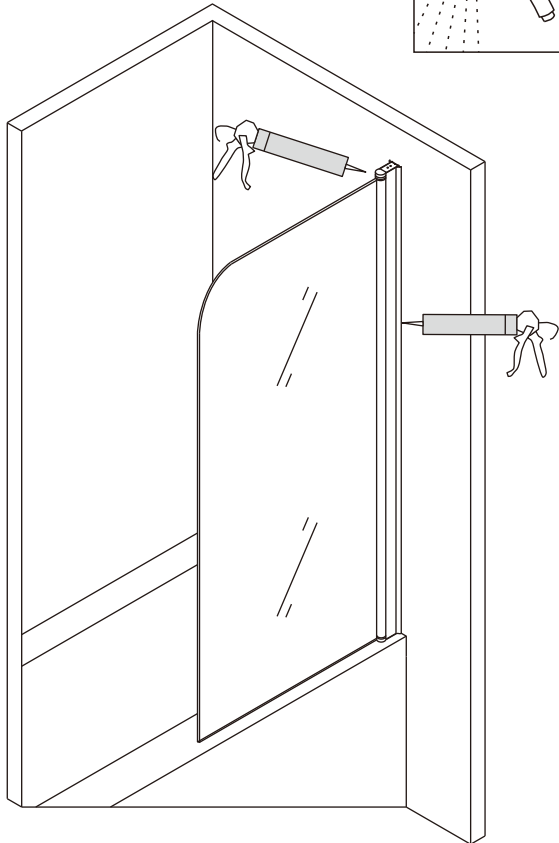
4



X1



5



UAB RUBINETA

Savanorių pr. 180, LT-03154 Vilnius

www.rubineta.com

COMPANY WITH
QUALITY SYSTEM
CERTIFIED BY DNV GL
= ISO 9001 =