





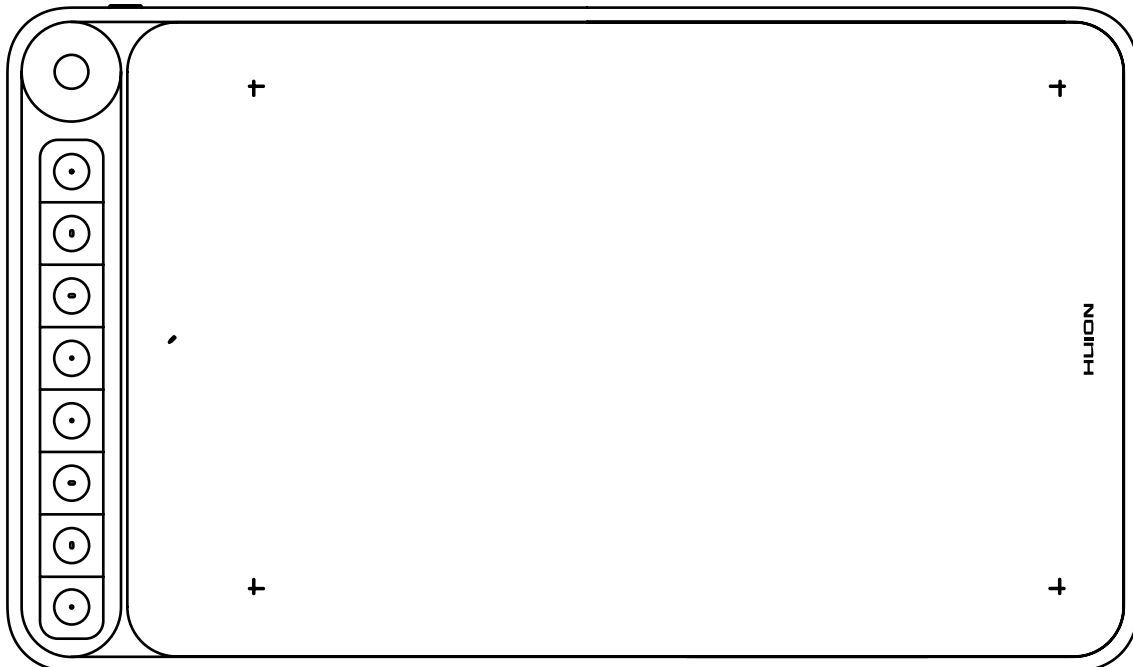


INSPIROY Dial

Q620M

- ② User Manual 
- ②④ Benutzerhandbuch 
- ④③ Manuel d' utilisateur 
- ⑥② ユーザーマニュアル 
- ⑧① Manuale d' uso 
- ⑩⑩ Manual de Usuario 



Contents

1 / Precautions	3
2 / Product Overview	4
2.1 Tablet Introduction.....	4
2.2 Product and Accessories.....	4
2.3 Tablet Connection.....	5
2.4 Introduction to LED Indicator.....	7
2.5 Install Driver	8
3 / Pen Basic Operation	9
3.1 Hold the Pen.....	9
3.2 Position the Cursor.....	9
3.3 Click.....	10
3.4 Move	10
3.5 Use the Side Buttons	10
3.6 Pen Nib Replacement.....	11
4 / Function Setting	12
4.1 Working Area Setting.....	12
4.2 Tablet Setting	13
4.3 Press Keys Function Setting	15
4.4 Pen Buttons Function Setting.....	17
4.5 Enable the Windows Ink Feature.....	17
4.6 Pressure Sensitivity Setting	18
4.7 Pen Pressure Testing.....	19
4.8 Pen Nib Activity Setting	19
4.9 Data Export and Import	20
5 / Specifications	21
6 / Trouble Shooting	22
7 / After-service Contact	23

1 / Precautions



【Please read this manual carefully before using, and keep it well for future reference.】

--Before cleaning the tablet please unplug the power cord and wipe with a soft damp cloth, do not use any kind of detergents.

--Don't expose this product to water or other liquids. Take care to never spill liquids onto the tablet and pen. Exposing this product to water or other liquids may cause product malfunction or electrical shock.

--Do not place the tablet on where is unstable or a height for children reaching easily in order to avoid danger. Prevent children from swallowing the pen nib or side switch. The pen nib, side switch, or other movable parts may accidentally be pulled out if children are biting on them.

--Power off your tablet in locations where/when electronic devices is not allowed. Because the tablet may cause other electronic devices to malfunction in some locations where/when the use of electronic devices is not allowed, such as within an airplane, be sure to turn off the tablet.

--Do not disassemble the tablet and pen. Do not disassemble or otherwise modify the tablet or pen. Such action may cause heat generation, ignition, electronic shock, or other damage, including human injury. Disassembling the product will void your warranty.

--While getting the components replaced, you are supposed to guarantee that the repairman is using the substitute components specified by the manufacturer. Unauthorized component replacement might cause fire, electric shocks or other dangers.

--Do not insert foreign material into the USB port or any other opening of this product. If a metal object or foreign material is inserted into a port or other opening of this product it may cause the product to malfunction or burn out, or cause electronic shock.

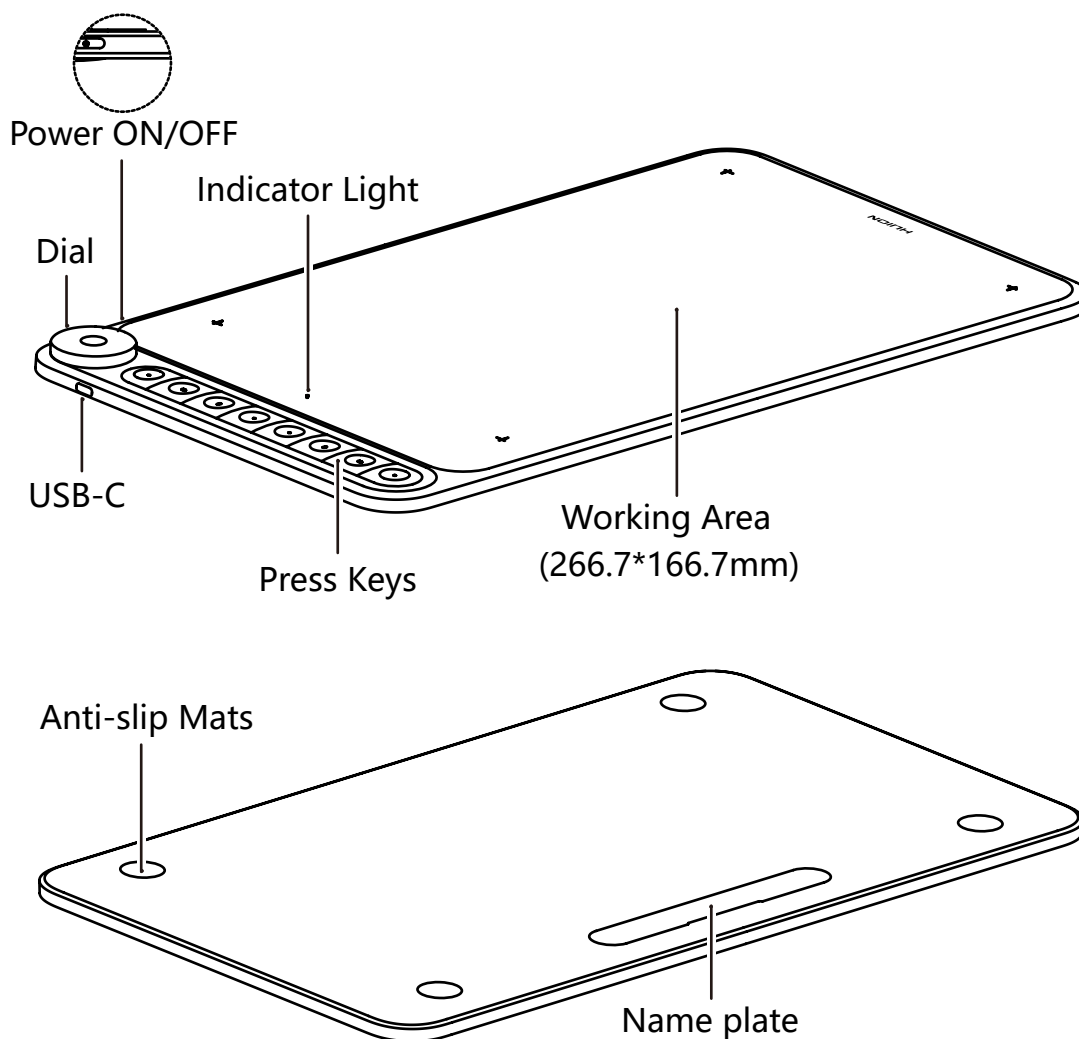
2 / Product Overview

2.1 Tablet Introduction

Thanks for choosing HUIION® INSPIROY® Dial Q620M creative pen tablet. This is a new generation of professional battery-free drawing tablet, which can greatly improve your work efficiency of painting and creation, and full of fun. You can freely painting and writing, depicting different lines and colors, just as the pen writes on the paper, which brings you a real shock experience.

To give you a better understanding and using of your tablet, please read this user manual carefully. The user manual only shows the information under Windows, unless otherwise specified, this information applies to both Windows and Mac systems.

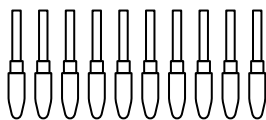
2.2 Product and Accessories



2.2.2 Accessories



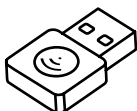
Battery-free pen



Replacement Nibs
(inside the pen holder)



Pen Holder



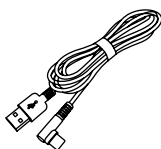
Wireless Receiver



Pen Nib Clip
(inside the pen holder)



Cleaning Cloth



USB-C Cable



Quick Start Guide



Warranty Card

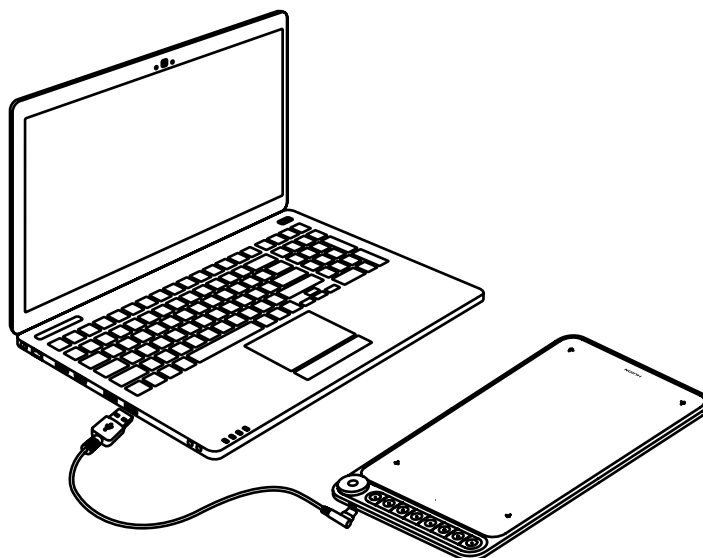
2.3 Tablet Connection

2.3.1 Connecting to Computer

Connect the tablet to your computer with USB cable.

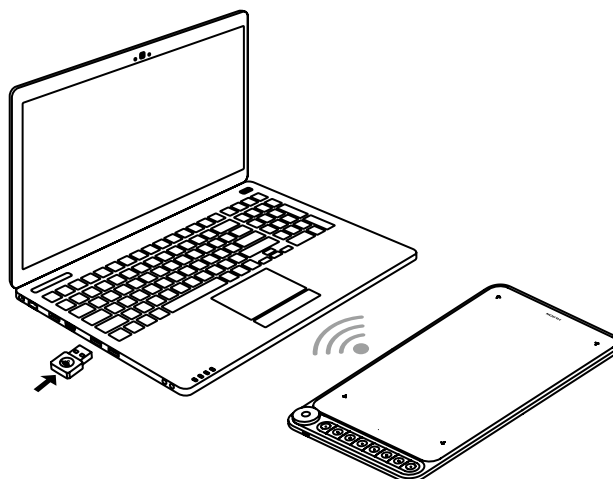
[1] Take out the USB cable from the package, then connect tablet to your computer.

[2] Open the driver interface, the lower corner shows device connected, indicating that the tablet is successfully connected to the computer. You can start use the tablet.



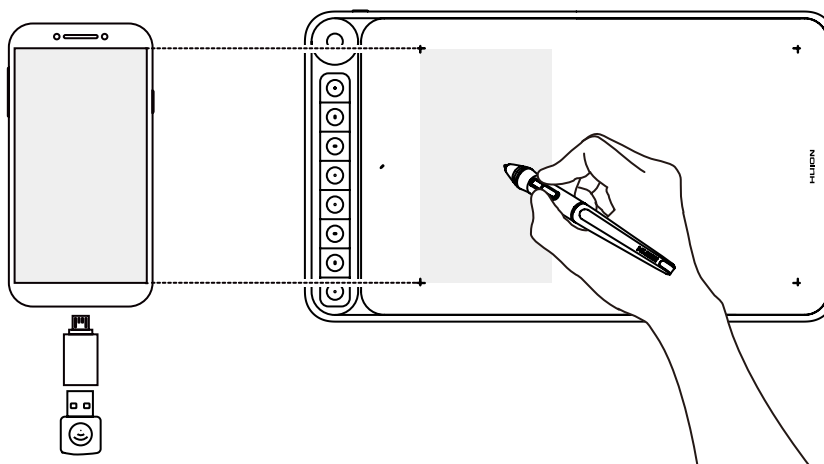
Wireless Mode

- [1] Insert the wireless receiver to your computer.
- [2] Switch the power button on to power on the tablet.
- [3] Not using 15 mins, the tablet will enter sleep mode. In this case, you need to switch the power button on again to wake the tablet up.



2.3.2 Connecting to Android Phone & Tablet

- [1] Please make sure your phone/tablet OS is as following: Android OS 6.0 or later.
- [2] For some models, you need to go phone/tablet "Settings" then enable "OTG" function.
- [3] Choose the right OTG Adapter from package, which depends on USB port type of your phone/tablet, insert the wireless receiver into the OTG adapter, and then insert the OTG adapter into the mobile phone interface. At this time, turn on the tablet switch to communicate with the mobile phone through 2.4G wireless. At this time, turn on the tablet switch to communicate with the mobile phone through 2.4G wireless.



! Notes:

- [1] The phone will reverse charge the tablet when they are wired connected and will quickly drain the phone battery, so it can only be used by wirelessly connecting to the phone.
- [2] The pen tablet can work without installing any driver into your phone/tablet.
- [3] Once connected, the tablet will automatically enter the phone mode, in which the pen can only work in the left gray area.
- [4] Please note that the press keys of pen tablet and digital pen are not supported in phone mode.

2.4 Introduction to LED Indicator

Eight press keys on Q620M are embedded with a LED light in the center respectively, which will serve as indicators of real time battery consumption, low battery and status of the tablet.

Light Effects:

- [1] Power On (wired & wireless): 8 LED lights turn on one after another and flash twice before they go off. The battery check will be automatically activated after 2 secs, where the LED lights will be on for 3 secs, and via the quantity of lights users can tell the real time battery consumption of the tablet.
- [2] Power Off/Sleep (wired & wireless): 8 LED lights embedded on the keys flash twice together and go off one after another.
- [3] Battery Charge (wired): Lights will turn on one by one to indicate the charging progress, and all lights will be off when the battery is fully charged.
- [4] Low Battery (wireless): When the battery runs out to a certain level, lights indicating the real time battery consumption will turn on for 3 secs and then go off. It's a reminder to have the tablet charged when there is only one light on, which indicates that only 13% of power remains in the battery.



2.5 Install Driver

2.5.1 OS Support

Windows 7 or later, macOS 10.12 or later.

2.5.2 Install Driver

Please download the driver from our website: www.huion.com/download.

After finishing installation, you can find the driver icon "🖱️" in the system tray area, which means the driver was installed successfully; when you connect the tablet to computer, the icon will change to color "🖋️", which means the driver has already recognized the tablet and you can start using it now.

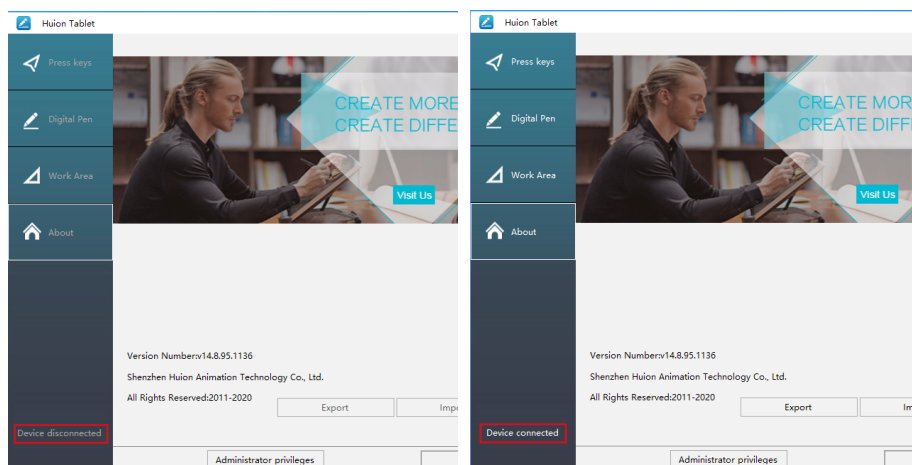
⚠️ Notes:

- [1] Before installing, you need to uninstall other driver of similar products, including the old driver of this product.
- [2] Before installing, please close all graphics software and anti-virus software to avoid unnecessary mistake.

2.5.3 Driver Page

After the download is successful, double-click to open the driver, Connect the tablet to your computer and phone using a USB cable.

When the connection is complete, watch for a prompt at the bottom left of the driver page that displays two states: "Device disconnected" or "Device connected".



3 / Pen Basic Operation

3.1 Hold the pen

Hold the pen as you hold a normal pen or pencil. Adjust your grip so that you can toggle the side switch easily with your thumb or forefinger. Be careful not to accidentally press the switch while drawing or positioning with the pen.

Notice:

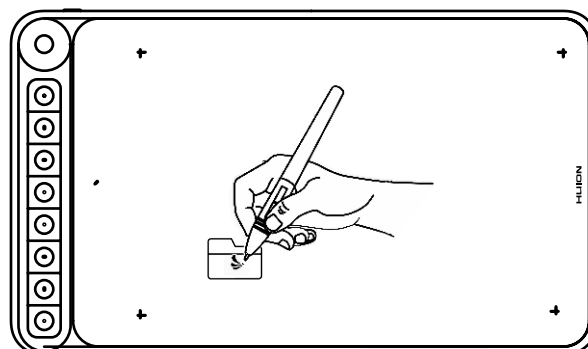
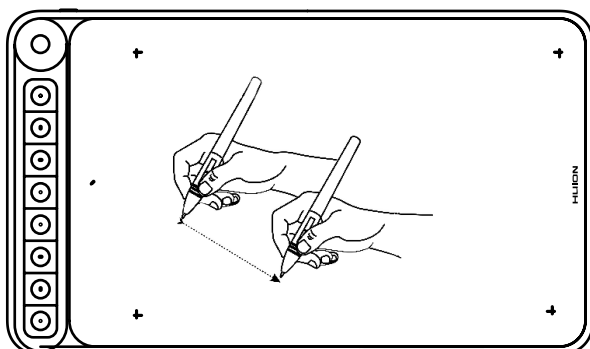
When not in use, place the pen in the pen case or on the desk. Do not place the pen on the surface of screen, which may interfere with the use of other screen cursor positioning equipment, may also cause your computer can not enter the sleep mode.



3.2 Position the cursor

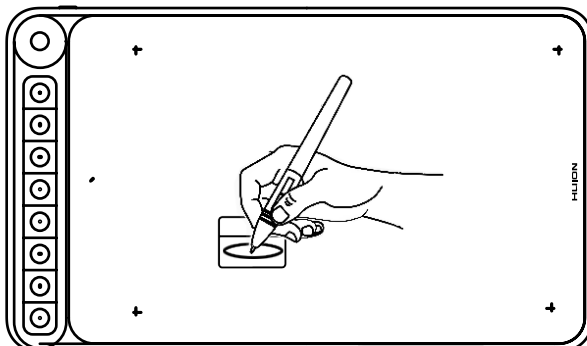
Move the pen slightly above the active area without touching the screen surface, the cursor will move to the new position accordingly.

Press the pen tip on the screen to make a selection. Tap the screen once with the pen tip, or touch it to the screen with enough pressure to register a click.



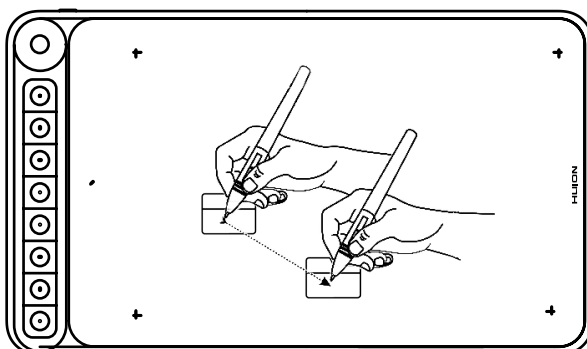
3.3 Click

Use the pen tip to tap once on the screen to register a click. Tap to highlight or select an item on the screen and double-click to open it.



3.4 Move

Select the object, then slide the pen tip across the screen to move it.

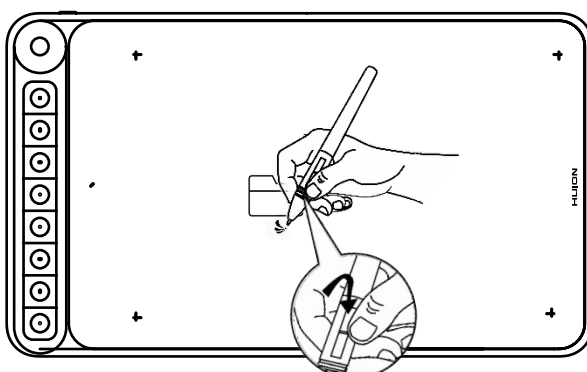


3.5 Use the side buttons

The buttons on the pen can be set to two different customizable functions.

You can use the buttons whenever the pen tip is within 10mm of the tablet active area.

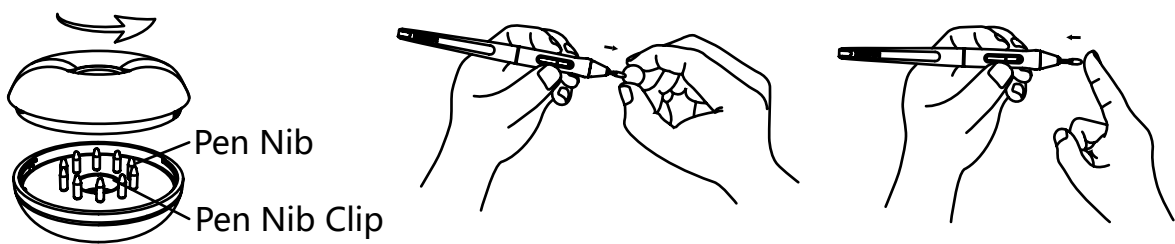
You do not have to touch the pen tip to the tablet in order to use the switch.



3.6 Pen Nib Replacement

The nib will be wear off after using for a long time, then you need to replace a new nib.

- [1] Anticlockwise rotate the pen holder to open the cover, take a new nib out.
- [2] Insert the pen nib into the pen nib clip and tilt the pen to pull out the old nib.
- [3] Insert the new nib straight into the pen and push the nib slowly and firmly until it stops.



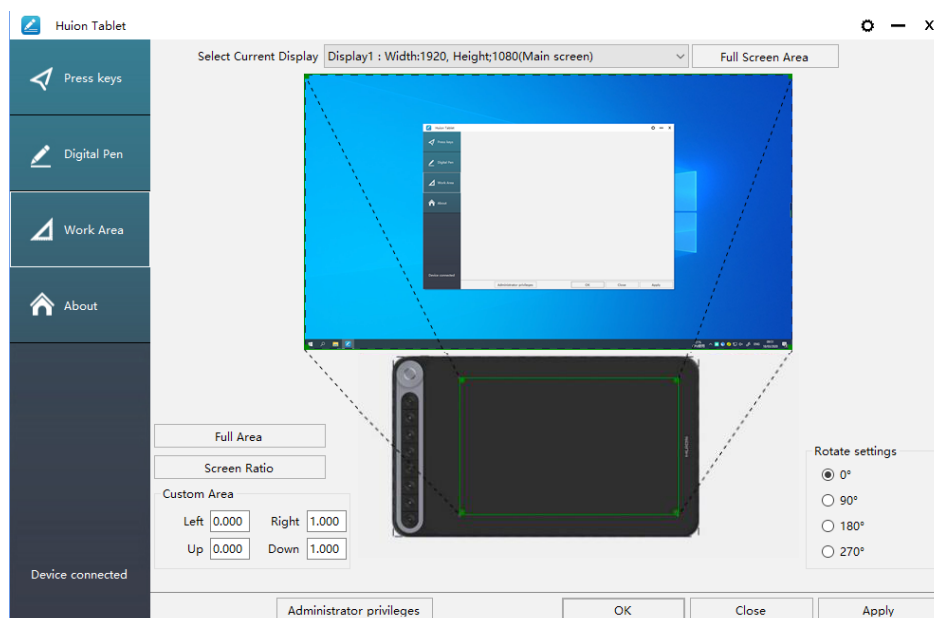
4 / Function Setting

4.1 Working Area Setting

4.1.1 Using Multiple Monitors

Select the Working Area tab to define the relationship between pen movement on the tablet and cursor movement on the monitor screen.

By default the entire active area of tablet maps to the entire monitor. If more than one monitor is in use and you are in extended mode, you need to choose the related monitor on the driver interface which you are going to map to.



4.1.2 Working Area Setting

Define the tablet area that will be mapped to the screen area.

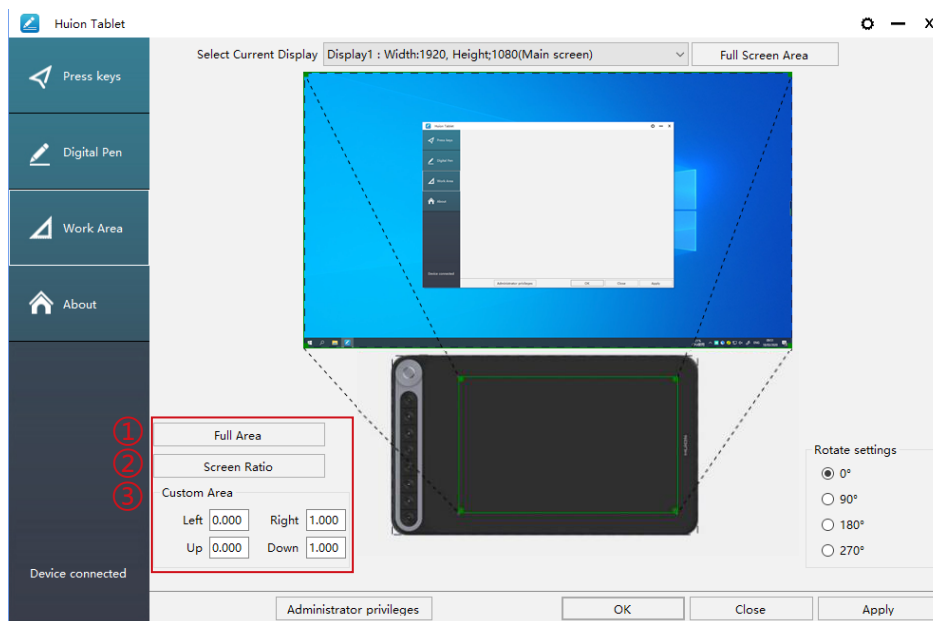
[1] Full Area: the entire active area of the tablet. This is the default setting.

[2] Screen Ratio: As a general rule, be 16:9.

[3] Customized Area:

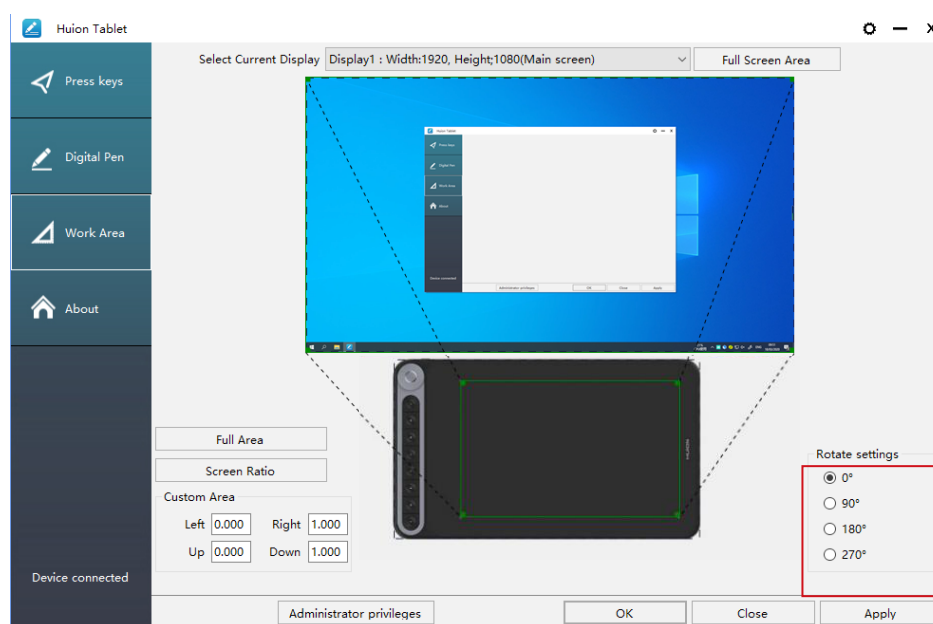
1> Enter coordinate values.

2> Drag the corners of the foreground graphic to select the screen area.



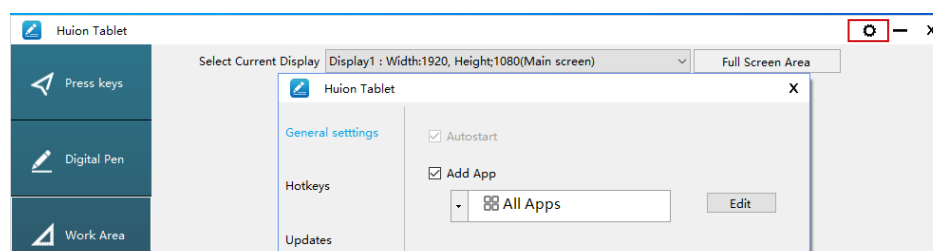
4.1.3 Rotate Working Area

By changing the direction of the tablet to adapt to the left and right hand operation. You can rotate the tablet by 0°, 90°, 180° or 270°.



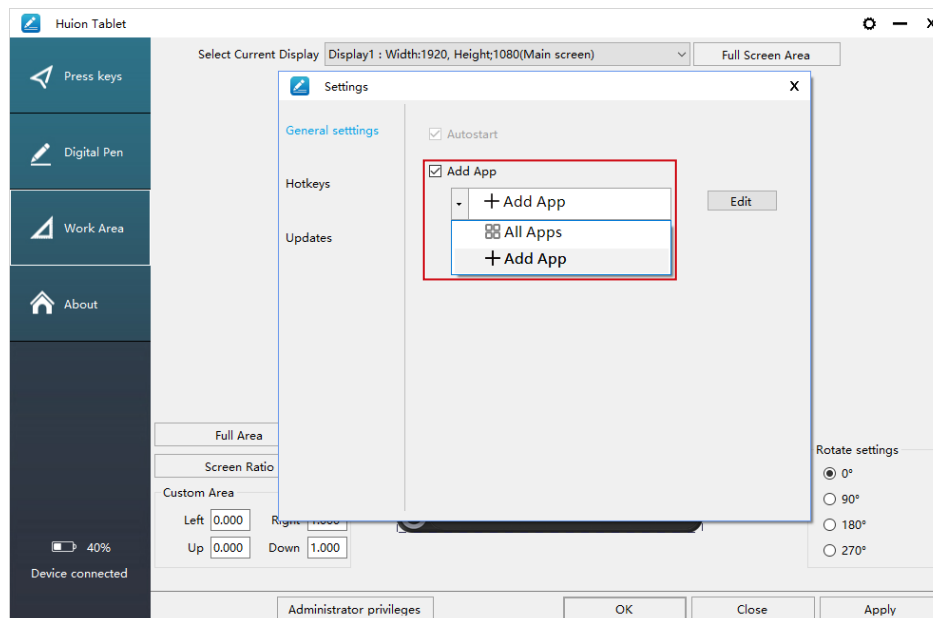
4.2 Tablet Setting

Click the "⚙️" in the upper right corner of the driver to set the Tablet, including General settings, Hotkeys and Updates.



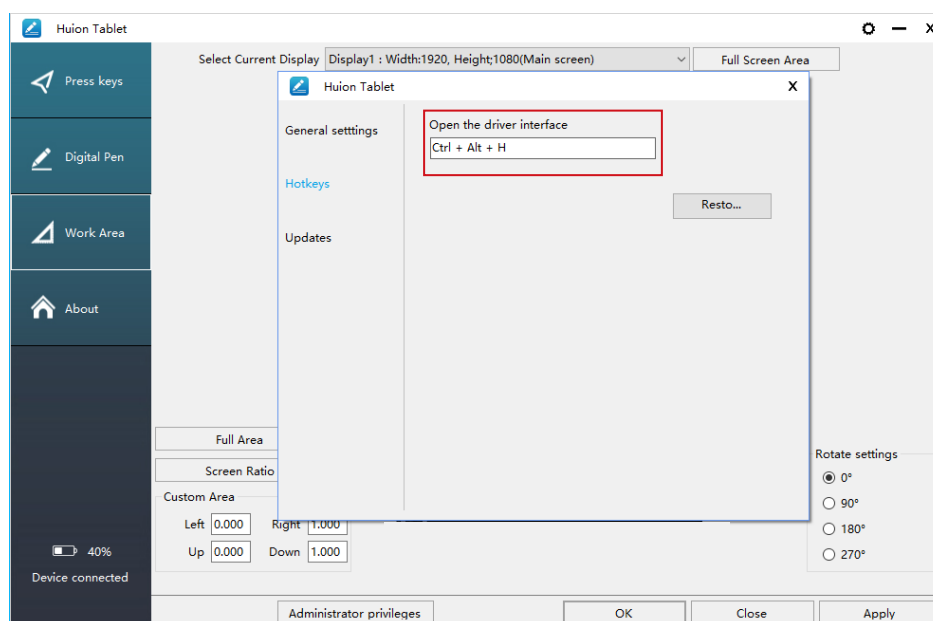
4.2.1 General settings

Add App: Shortcut key function can be set by adding different programs. When opening different programs, the driver will automatically recognize that the shortcut function is the corresponding function set.



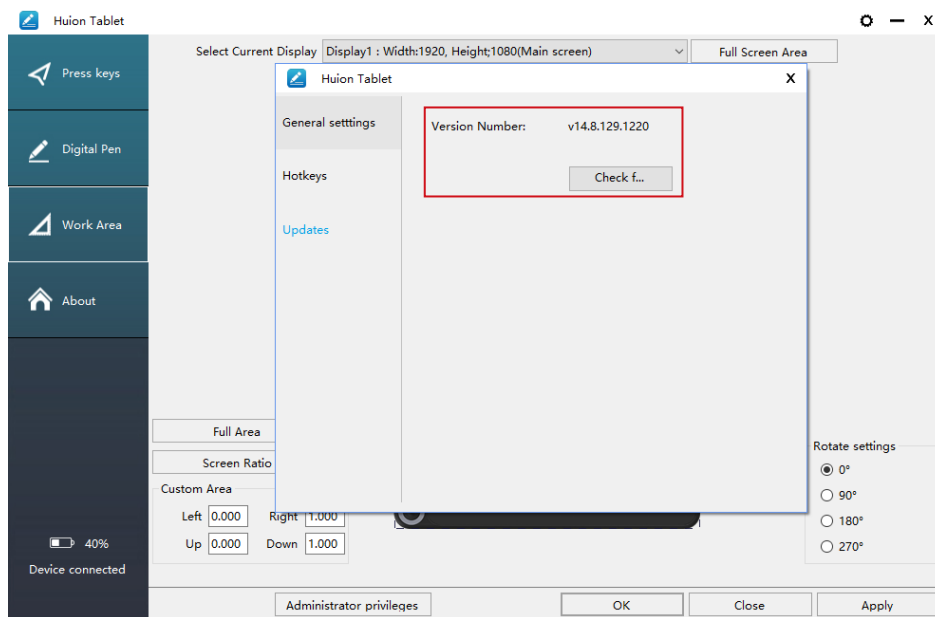
4.2.2 Hotkeys settings

Set the shortcut key to quickly open the driver interface. The default value is Ctrl+Alt+H, which can be set according to usage habits.



4.2.3 Updates

You can view the driver version number, click "Check for Update", view the latest driver version, and update according to the system prompt.

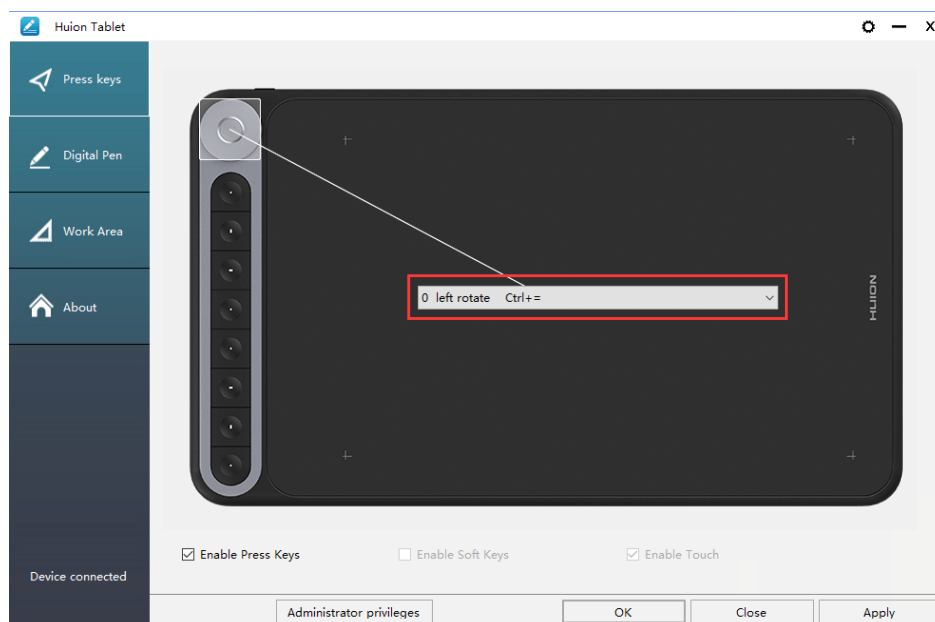


4.3 Press Keys Function Setting

Default Setting: Place the cursor on the press key or click the press key to find the default values.

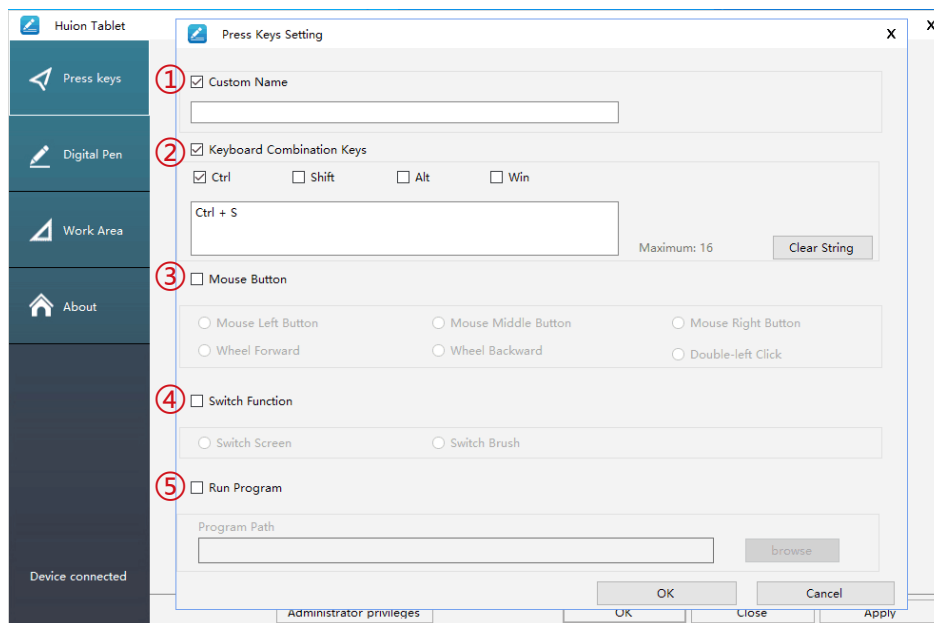
Customized Setting: Select the function to be achieved on the pop-up dialog box, then click "Apply" or "OK" to take effect.

Enable/Disable Press Keys: Check/Uncheck "Enable Press Keys".



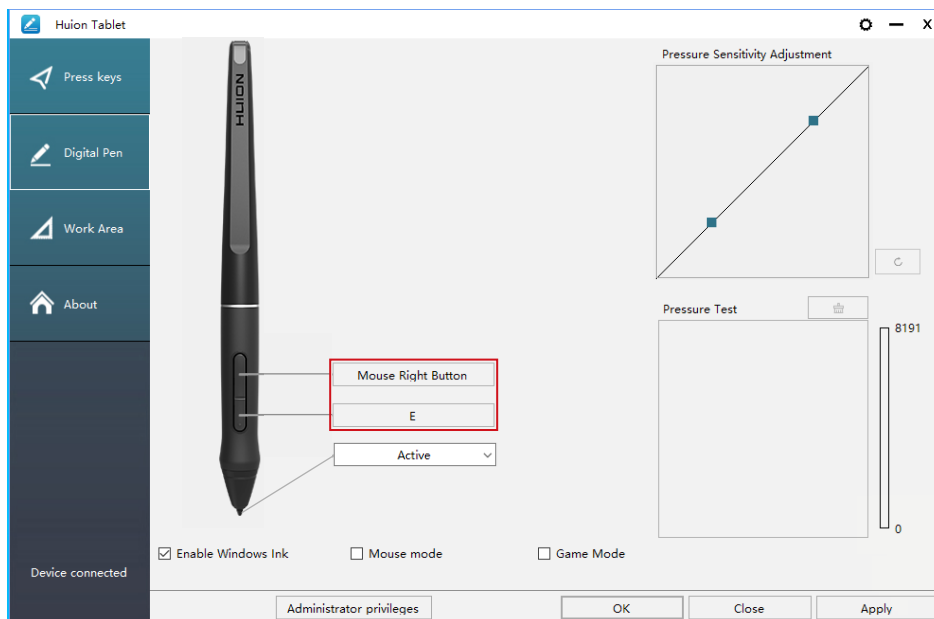
The following shortcut key customization interface is displayed, with a total of 5 Settings.

- ① Custom: according to the use of custom or professional terms to set.
- ② Key combination function keys: Ctrl, Shift, Alt, Win+ any letter or other. Ctrl, Shift, Alt, Win, you can select one or more of them, and you can arrange them in any combination. Enter the corresponding Settings in the input box. For example: deselect -ctrl +D, enter task manager -ctrl +Alt+Delete, etc.
- ③ Mouse Button Function: click the box, select the required function, can be set to complete.
- ④ Switch function: also click the box, select the required function.
- ⑤ Run the program function: click browse, select the connection, to achieve the required run the program function.



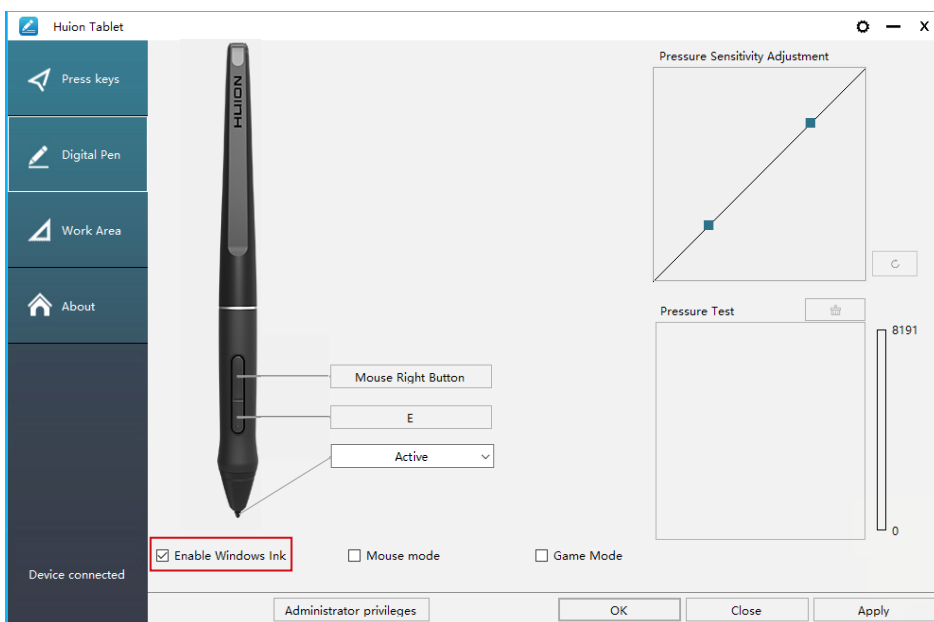
4.4 Pen Buttons Function Setting

Select the function to be achieved on the pop-up dialog box, then click "Apply" or "OK" to take effect.



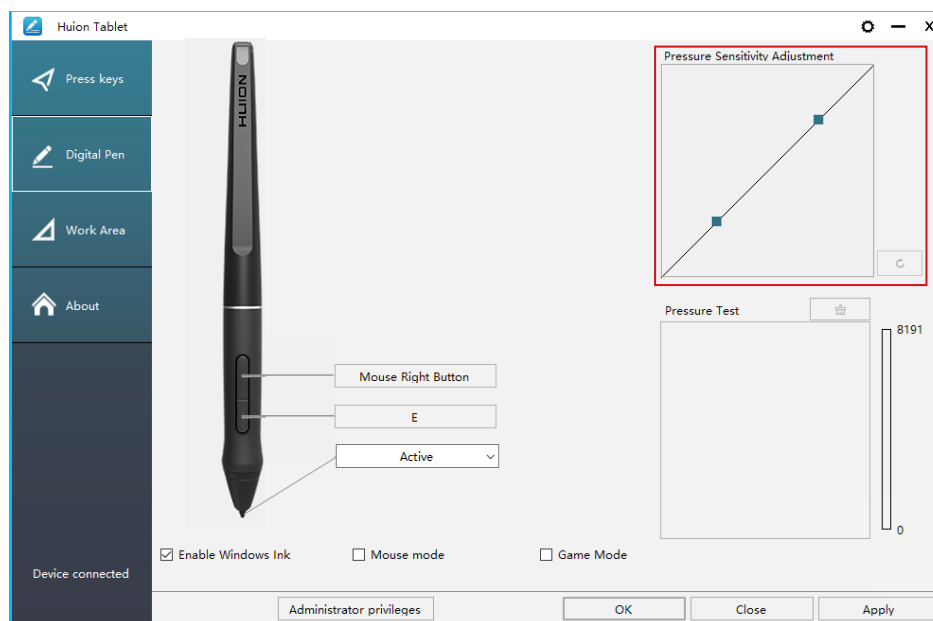
4.5 Enable the Windows Ink feature

Microsoft Windows provides extensive support for pen input. Pen features are supported in such as Microsoft Office, Windows Whiteboard, Adobe Photoshop CC, SketchBook 6 and so on.




4.6 Pressure Sensitivity Setting

The pressure sensitivity will be changed by dragging the slider up and down, the smaller the value, the more pressure sensitive.

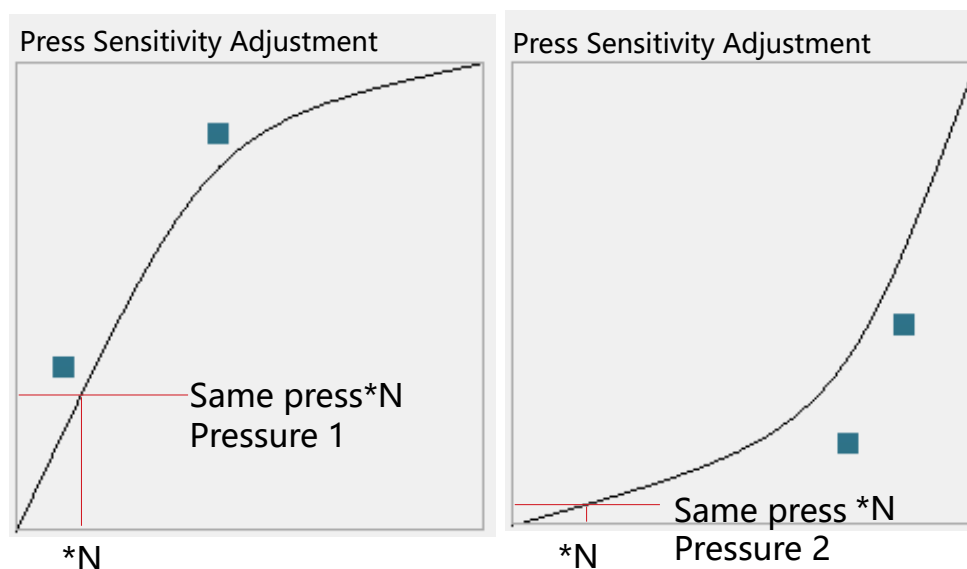


Drag upward (left): the pressure change is more obvious, small pressure produces a great pressure.


Drag down (right): pressure change is weak, a lot of pressure produces less pressure.

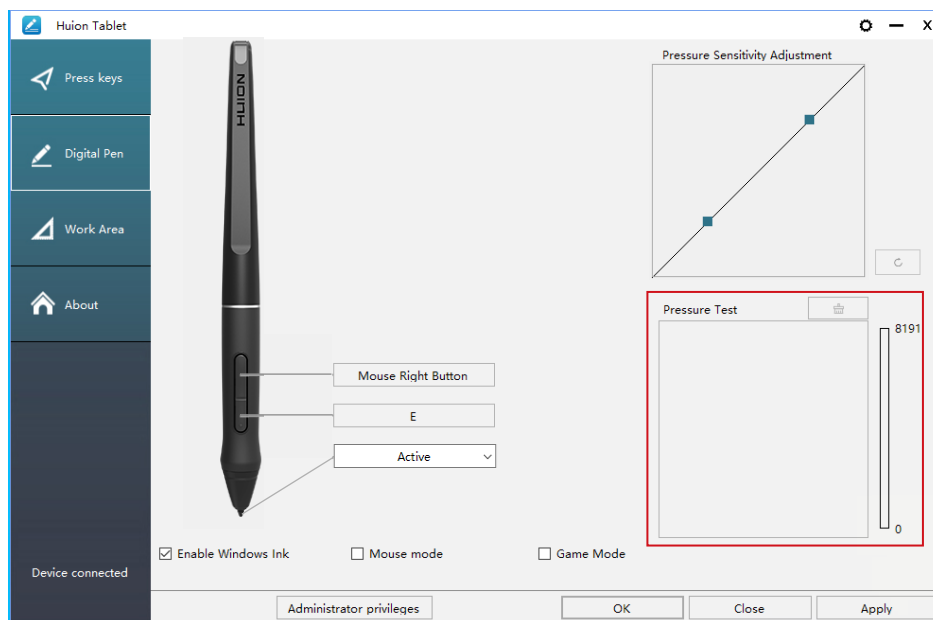
Click the button  at the bottom right of the Settings box to reset the pressure sensitivity to the default state.

For example: apply $*N$ respectively the same pressure, under different pressure coefficient produced different pressure effect. According to their habit of holding the pen posture and the size of the hand for the appropriate pressure Settings.



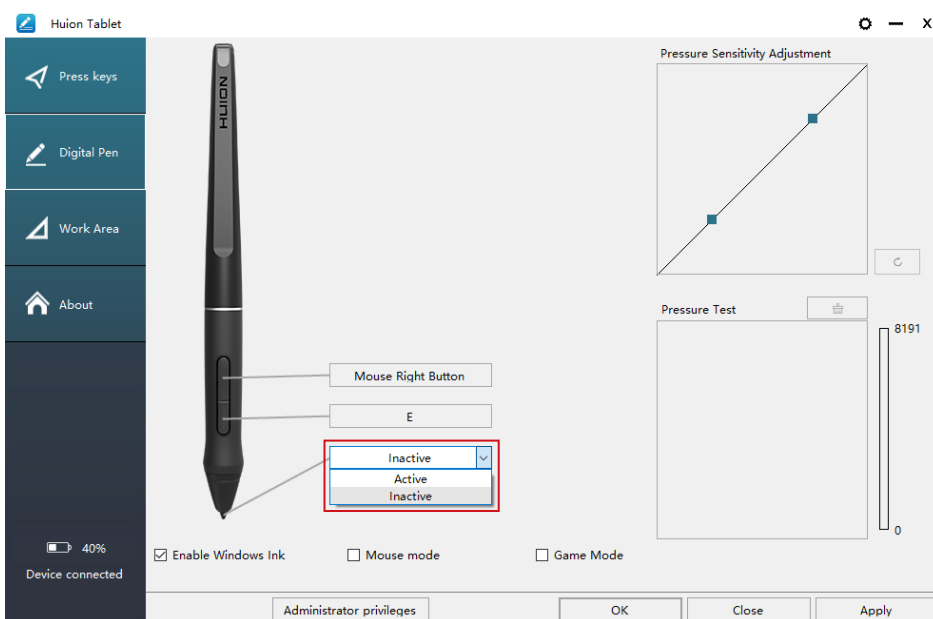
4.7 Pen Pressure Testing

You can gradually apply pressure to the stylus on the screen to test the pressure level. Click "  " button to clear all the ink.



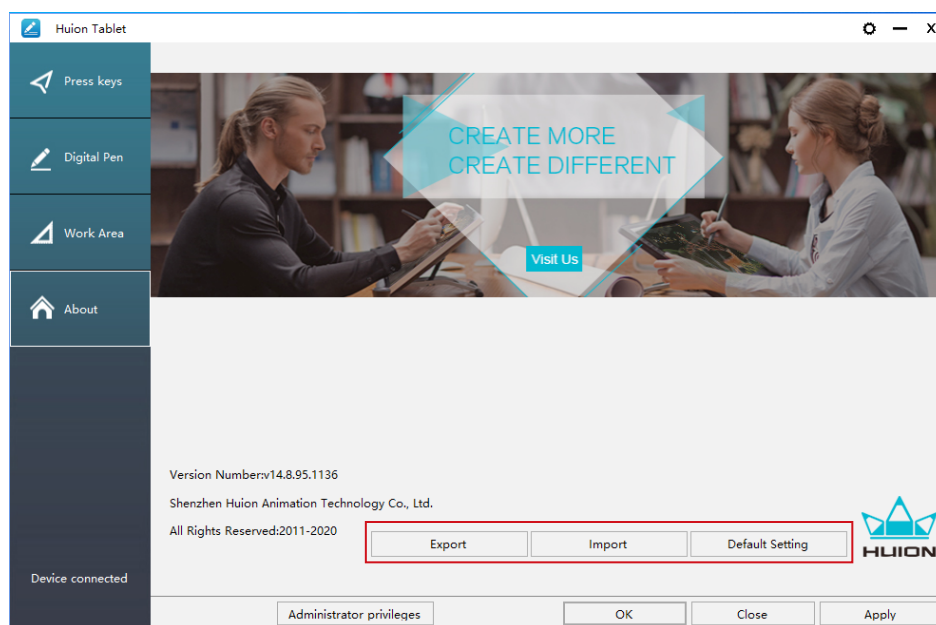
4.8 Pen Nib Activity Setting

The pen nibs can be set to be Active/Inactive as needed. Click the drop-down option to select, and click OK again to save the Settings. In Active mode, the digital pen can be used normally. In Inactive mode, the digital pen has cursor movement, but cannot complete the specified action.



4.9 Data Export and Import

The driver supports exporting and importing your custom configuration data of the product, which is convenient for you to use different software and avoid the trouble of repeated settings.



6 / Specifications

Tablet	
Model	Q620M
Touch Technology	Battery-Free Electromagnetic Resonance
Working Area	Computer: 266.7 x 166.7mm Android: 104.2 x 166.7mm
Dimension	375.5 x 220.4 x 8mm
Net Weight	666g
Touch Resolution	5080LPI
Report Rate	266PPS
Pen Sensing Height	10mm
Interface	USB-C
Press Keys	8 Programmable Press Keys + Dial
OS Support	Windows 7 or later, macOS 10.12 or later Android 6.0 or later
Digital Pen	
Model	PW500
Dimension	163.7 x Φ 14.3mm
Weight	14g
Pressure	8192Levels
Accuracy	\pm 0.3mm

7 / Trouble Shooting

Abnormal Phenomena	Possible Solutions
There is no pressure in the graphics software but the cursor moves	You may have installed other tablet drivers or opened the drawing software when installing the driver. Please uninstall all drivers and close the drawing software, then reinstall the Huion driver. It's better to restart your computer after finishing the installation.'
The pen does not work	<ol style="list-style-type: none"> 1. Make sure you are using the pen that originally came with your tablet. 2. Make sure you installed the driver correctly.
Press Keys does not work	<ol style="list-style-type: none"> 1. Make sure the Press Keys function were enabled in the driver. 2. Make sure you have correctly defined the Press Keys. 3. Check if the press lock switch is on the unlock position.
The computer can't enter sleep mode	When you are not using the tablet, please do not put the pen on the tablet surface, which will keep the computer awake.
The side button of the pen doesn't work	When pressing the side button, please make sure that the nib didn't touch the tablet surface and the distance between the nib and surface is within 10mm.
The side button of the pen doesn't work	Make sure the USB port is functional, if not, please change to another USB port.

8 / After-service Contact

SHENZHEN HUION ANIMATION TECHNOLOGY CO., LTD.

Bldg 28, Quarter 4, HuaiDeCuiGang Industrial Park, Fuyong Street,
Bao'an District, Shenzhen, 518106, China



+86-755-32998548



www.huion.com



www.facebook.com/huion



service@huion.com



[huion-skype](https://www.skype.com/huion-skype)



<https://twitter.com/HuionTab>

Inhalt

1 / Vorsichtsmaßnahmen	21
2 / Produktübersicht.....	22
2.1 Einführung in das Tablet	22
2.2 Product and Accessories.....	22
2.3 Tabletverbindung.....	23
2.4 Treiberinstallation	24
3 / Grundlegende Verwendung des Stifts.....	26
3.1 Den Stift halten.....	26
3.2 ZeigerpositionierungPosition the cursor.....	26
3.3 Klicken	27
3.4 Bewegung	27
3.5 Verwendung der Seitenschalter	27
3.6 Ersetzen von Stiftspitzen.....	28
4 / Funktionseinstellungen.....	29
4.1 Einstellungen zum Arbeitsbereich	29
4.2 Druckschalter-Funktionseinstellungen.....	30
4.3 Einstellungen für die Funktionen der Stifftasten.....	32
4.4 Windows Ink aktivieren	32
4.5 Einstellungen zur Drucksensitivität	33
4.6 Stiftdrucktest.....	34
4.7 Enable the Windows Ink feature	34
5 / Spezifikationen	35
6 / Problemlösungen	36
7 / After-Service-Kontakt	37

1 / Vorsichtsmaßnahmen



【 Bitte lesen Sie diese Anleitung vor der ersten Verwendung, und bewahren Sie es zur späteren Verwendung auf. 】

--Entfernen Sie das USB-Kabel, bevor Sie das Tablet mit einem weichen, feuchten Tuch reinigen. Verwenden Sie keine Reinigungsmittel.

--Vermeiden Sie es, das Gerät in der Nähe von Wasserquellen wie Badewannen, Waschbecken, Spülbecken, Waschmaschinen, feuchten Kellern, Schwimmbecken usw. zu verwenden.

--Achten Sie darauf, dass das Tablet einen stabilen Stand hat, und platzieren Sie es außerhalb der Reichweite von Kindern.

--Platzieren Sie das Tablet und den digitalen Stift nicht in der Nähe von magnetischen Feldern.

--Im Falle eines Schadens, versuchen Sie nicht, das Gerät zu öffnen und selbst zu reparieren. Wenden Sie sich an den Kundenservice für Reparatur und Wartung.

--Wenn Komponenten ersetzt werden, stellen Sie sicher, dass ihr Servicetechniker Ersatzteile des Herstellers verwendet. Nicht autorisierte Komponenten können zu Bränden, Elektroschocks und anderen Risiken führen.

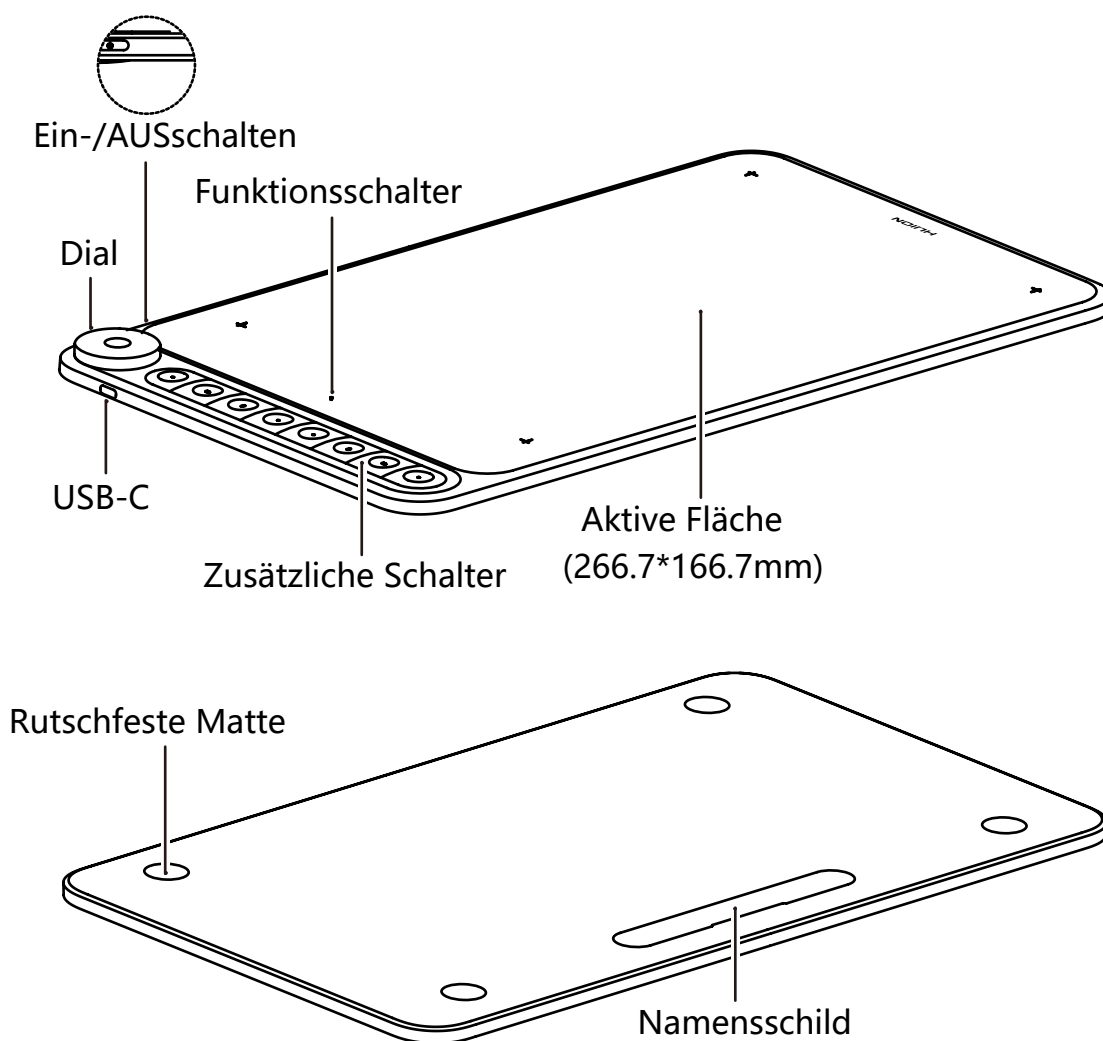
Schieben sie nichts in den usb-port Oder eine andere öffnung.Fügt ein metallgegenstand --Oder eine externe öffnung dem produkt ein, kann es das produkt beschädigt Oder ausstoßen Oder einen elektroschock auslösen.

2 / Produktübersicht Product Overview

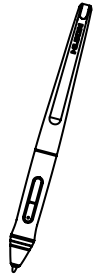
2.1 Einführung in das Tablet

Wir danken Ihnen, dass Sie sich für das kreative HUION® INSPIROY® Dial Q620M tablet entschieden haben. Es ist Teil einer neuen Generation tragbarer professioneller Zeichnen-Tablet mit Desktop-Qualität, welche ihre Arbeitseffizienz und künstlerische Kreativität deutlich erhöhen kann und dazu auch einfach Spaß macht. Sie können völlig frei zeichnen und schreiben, in verschiedenen Farben, wie mit einem Stift auf Papier. Es ist eine erfrischende Erfahrung.

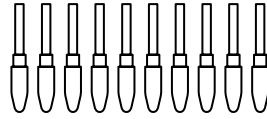
Bitte lesen Sie dieses Handbuch ausführlich, um Ihr Tablet besser zu verstehen und verwenden zu können. Diese Anleitung stellt die Anwendung unter Windows dar. Sofern Unterschiede nicht explizit erwähnt werden, gelten diese Informationen sowohl für Windows als auch Macintosh-Systeme.



2.2.2 Packliste



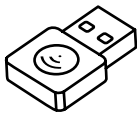
Digitaler Stift



Stiftspitzen
(Innerhalb des Stifthalters)



Stifthalter



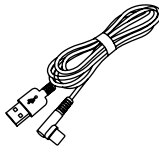
Drahtloser Empfänger



Spitzenclip
(Innerhalb des Stifthalters)



Putztuch



USB-C Kabel



Schnellstartanleitung



Garantiekarte

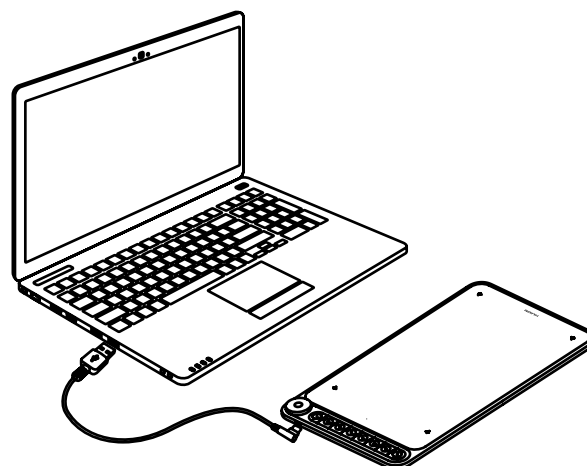
2.3 Tabletverbindung

2.3.1 Verbindung mit dem Computer

Verbinden Sie das Tablet mit einem USB-Kabel an Ihren Computer:

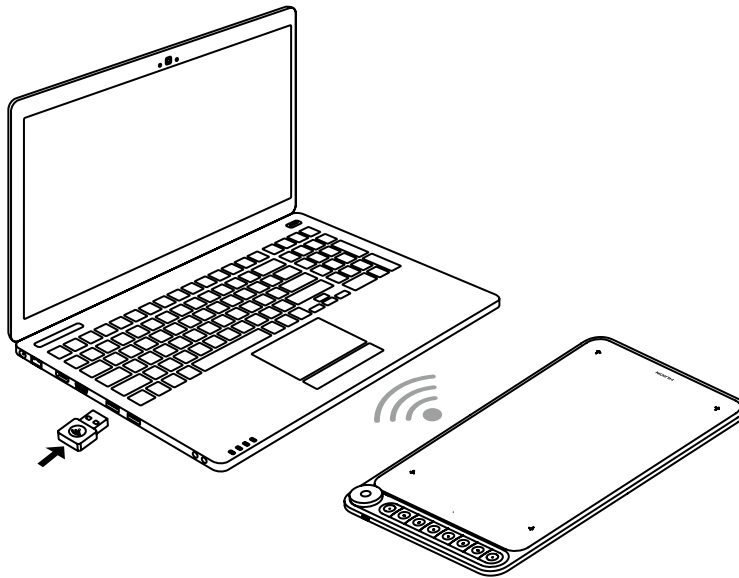
[1] Nehmen Sie das USB-Kabel aus dem Paket, dann schließen Sie Tablet an Ihren Computer.

[2] Öffnen Sie die Treiber-Schnittstelle, die untere Ecke zeigt Gerät verbunden, dass das Tablet erfolgreich mit dem Computer verbunden ist. Sie können das Tablet verwenden.



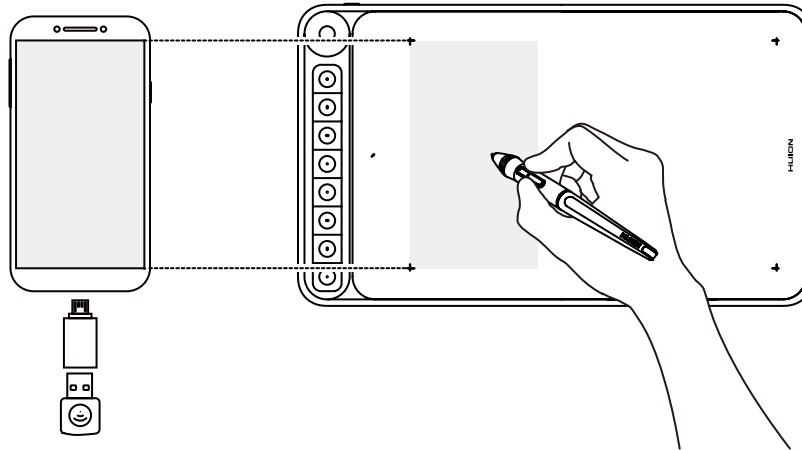
Wireless Mode:

- [1] Insert the wireless receiver to your computer.
- [2] Drücken Sie den Netzschalter, um das Tablett einzuschalten.
- [3] Wenn das Tablett 15 Minuten lang nicht benutzt wird, wechselt es in den Schlafmodus. In diesem Fall müssen Sie den Netzschalter erneut drücken, um das Tablett zu aktivieren.



2.3.2 Methode zur Verbindung von Tablets mit Android-Handys und Tablets

- [1] Bitte verwenden Sie das Android-Handy und Tablet im vertikalen Bildschirm.
- [2] Stellen Sie sicher, dass das Betriebssystem Ihres Telefons / Tablets wie folgt ist: Android OS 6.0 oder höher.
- [3] Bei einigen Modellen müssen Sie die Einstellungen des Telefons / Tablets vornehmen und dann die Funktion"OTG" aktivieren.
- [4] Wählen Sie den richtigen OTG-Adapter aus dem Paket, der vom USB-Port-Typ Ihres Telefons / Tablets abhängt, Führen Sie bitte den drahtlosen Empfänger in den OTG-Adapter ein. Dann schließen Sie ihn(OTG) an Ihr Gerät an. Schalten Sie gleichzeitig den Tablet-Schalter ein, um über die drahtlose 2,4-G-Verbindung mit dem Mobiltelefon zu kommunizieren.



! Hinweis:

- [1] Das Telefon lädt das Tablet nach dem Anschließen des Kabels in entgegengesetzter Richtung auf. Der Akku des Telefons wird schnell entladen. Es kann nur über eine drahtlose Verbindung zum Telefon verwendet werden.
- [2] Das Stifttablett kann funktionieren, ohne dass ein Treiber in Ihrem Telefon/Tablet installiert werden muss.
- [3] Nach dem Verbinden wechselt das Tablet automatisch in den Telefonmodus, in dem der Stift nur im linken grauen Bereich arbeiten kann(166.7 x 104.2mm).
- [4] Bitte beachten Sie, dass im Telefonmodus die Tasten auf das Tablett und den Stift nicht funktionieren.

2.4 Treiberinstallation



2.4.1 OS

Unterstützte Betriebssysteme

Windows 7 oder neuer, Mac OS 10.12 oder neuer

2.4.2 Installieren der Treiber

Laden Sie bitte die Treiber von unserer Webseite herunter: www.huion.com/de/download

Nach der Installation finden sie das Treiber-Icon "  " im grauen Systembereich. Das bedeutet, dass der Treiber erfolgreich installiert wurde. Wenn Sie das Tablet an den Computer anschließen, verändert sich die Farbe des icons "  ". Das bedeutet, der Treiber hat das Tablet erkannt und Sie können es jetzt verwenden.



Hinweise

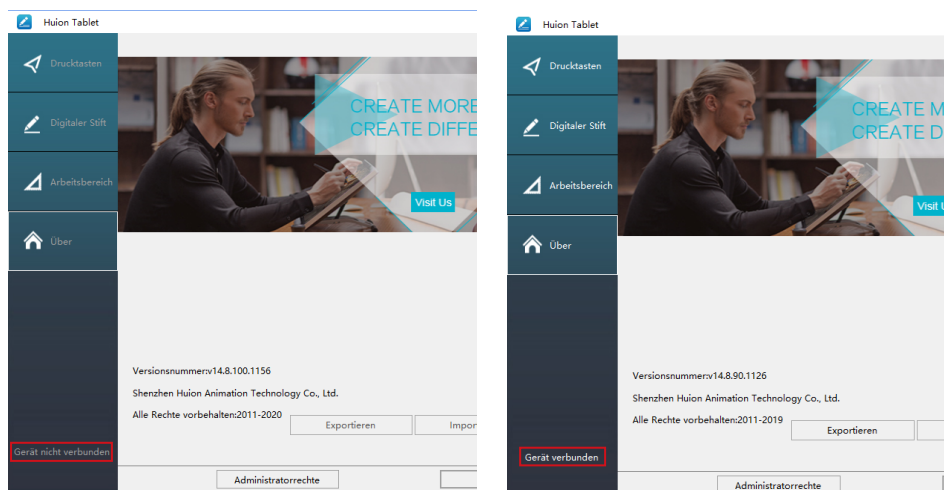
[1] Vor der Installation müssen Sie andere Treiber ähnlicher Produkte deinstallieren, das beinhaltet auch ältere Treiber dieses Produkts.

[2] Schließen Sie vor der Installation sämtliche Grafikprogramme und Antivirenprogramme um Konflikte zu vermeiden.

2.4.3 Treiberoberfläche

Machen Sie nach dem erfolgreichen Download einen Doppelklick um den Treiber zu öffnen. Verbinden Sie das Display mit Ihrem Computer durch ein USB-Kabel.

Wenn die Geräte verbunden sind, achten Sie auf die Mitteilung unten Links auf der Treiberoberfläche. Hier werden zwei Meldungen angezeigt. "Gerät nicht verbunden" oder "Gerät verbunden".



3 / Grundlegende Verwendung des

3.1 Den Stift halten

Halten Sie den Stift wie jeden anderen gewöhnlichen Stift. Halten Sie den Stift so, dass Sie den Schalter an der Seite mit Ihrem Daumen oder Zeigefinger erreichen können. Achten Sie darauf, dass Sie nicht unabsichtlich beim Zeichnen oder Ansetzen den Schalter betätigen.

Hinweis:

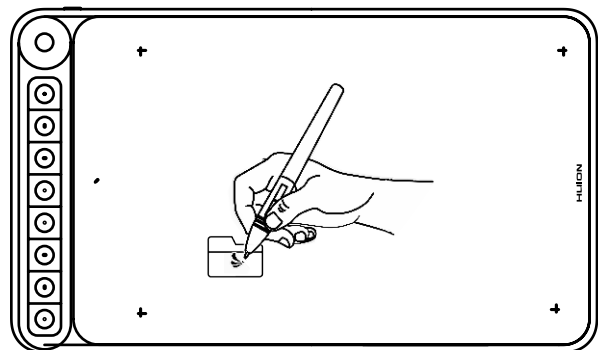
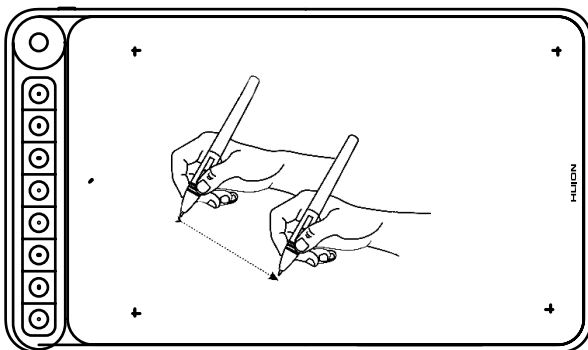
Wenn Sie den Stift nicht verwenden, verwahren Sie ihn im Etui oder auf dem Tisch. Legen Sie den Stift nicht auf dem Bildschirm ab, um Störungen mit dem Mauszeiger zu vermeiden. Der Stift auf dem Tablet könnte auch Ihren Computer daran hindern, den Schlafmodus zu aktivieren.



3.2 Zeigerpositionierung Position the cursor

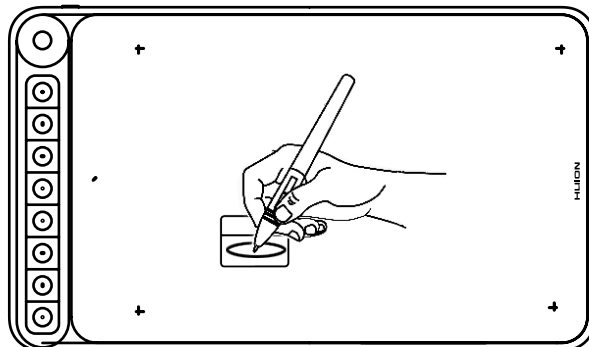
Bewegen Sie den Stift knapp über der Bildschirmoberfläche, ohne sie zu berühren. Der Mauszeiger folgt Ihren Bewegungen.

Berühren Sie mit der Spitze des Stifts den Bildschirm, um eine Auswahl zu treffen. Tippen Sie den Bildschirm mit der Stiftspitze oder drücken Sie ihn auf das Tablet um einen Klick zu registrieren.



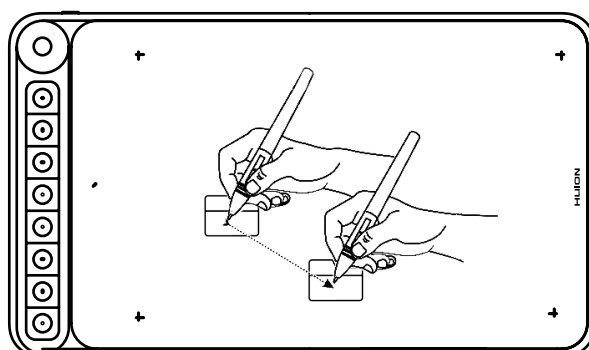
3.3 Klicken

Verwenden Sie die Spitze des Stifts um den Bildschirm anzutippen um einen Klick zu registrieren. Tippen Sie ein Mal um etwas auszuwählen oder Text zu markieren und zwei Mal um etwas zu öffnen.



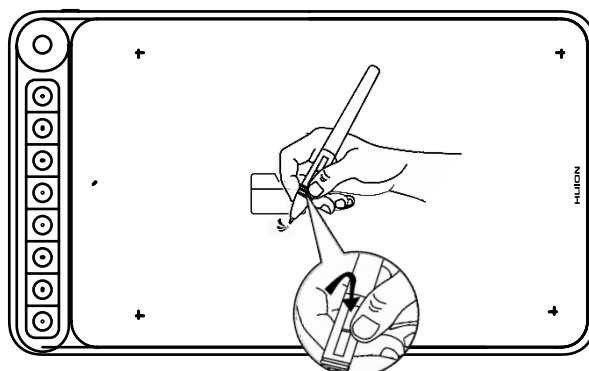
3.4 Bewegung

Wählen Sie ein Objekt aus und ziehen Sie die Stiftspitze über den Bildschirm um es zu bewegen.



3.5 Verwendung der Seitenschalter

Die Schalter auf dem Stift können zwei verschiedene Funktionen ausführen. Sie können die Schaltflächen verwenden, wenn sich die Stiftspitze innerhalb von 10mm zum Tablet befindet. Sie müssen das Tablet nicht berühren, um die Schaltflächen zu verwenden.



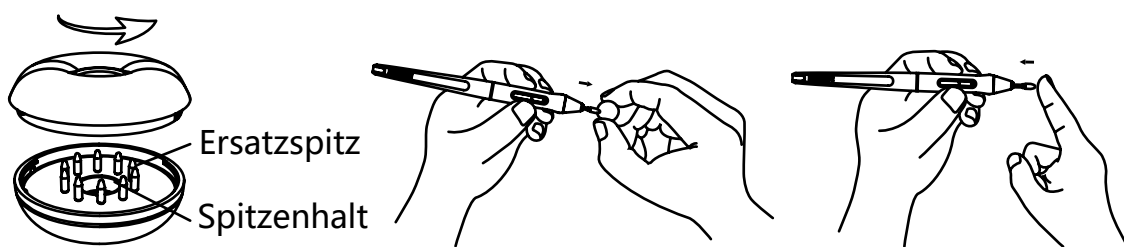
3.6 Ersetzen von Stiftspiten

Die Stiftspitze nutzt sich über längere Zeit ab. Sie muss gelegentlich ersetzt werden.

[1] Rotieren Sie den Stifthalter gegen den Uhrzeigersinn um ihn zu öffnen. Nehmen Sie eine neue Stiftspitze heraus.

[2] Führen Sie die alte Stiftspitze in die Öffnung auf der Unterseite des Stifthalters ein und neigen Sie den Stift um die alte Spitze zu entfernen.

[3] Führen Sie die neue Stiftspitze direkt in den Stift ein und drücken Sie langsam, bis sie sich nicht mehr bewegen lässt.



4/ Funktionseinstellungen

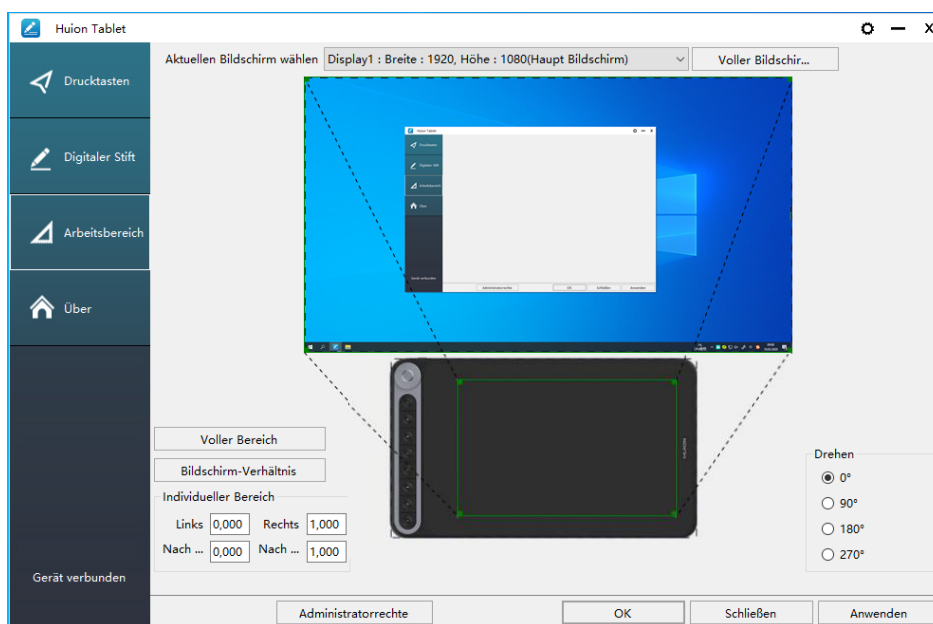
4.1 Einstellungen zum Arbeitsbereich

4.1.1 Verwendung von mehreren Monitoren

Öffnen Sie den Arbeitsbereich-Tab, um die Beziehung zwischen den Bewegungen des Stifts auf dem Tablet und den Zeigerbewegungen auf dem Monitor zu definieren.

Als Standardeinstellung deckt die aktive Region des Tablet den gesamten Monitor ab. Falls Sie mehr als einen Monitor verwenden, und das Bild auf einen weiteren Monitor erweitern, müssen Sie in der Treiberoberfläche den Bildschirm auswählen, auf dem Sie Ihre Zeigerbewegungen registrieren möchten.

Falls Sie Ihre Monitore spiegeln (alle Monitore zeigen dasselbe Bild), deckt das Tablet den gesamten Bereich auf jedem Monitor ab und der Mauszeiger wird auf jedem Monitor gleichzeitig angezeigt.



4.1.2 Arbeitsbereichseinstellungen

Definition der Tabletfläche, die auf dem Bildschirm abgedeckt wird.

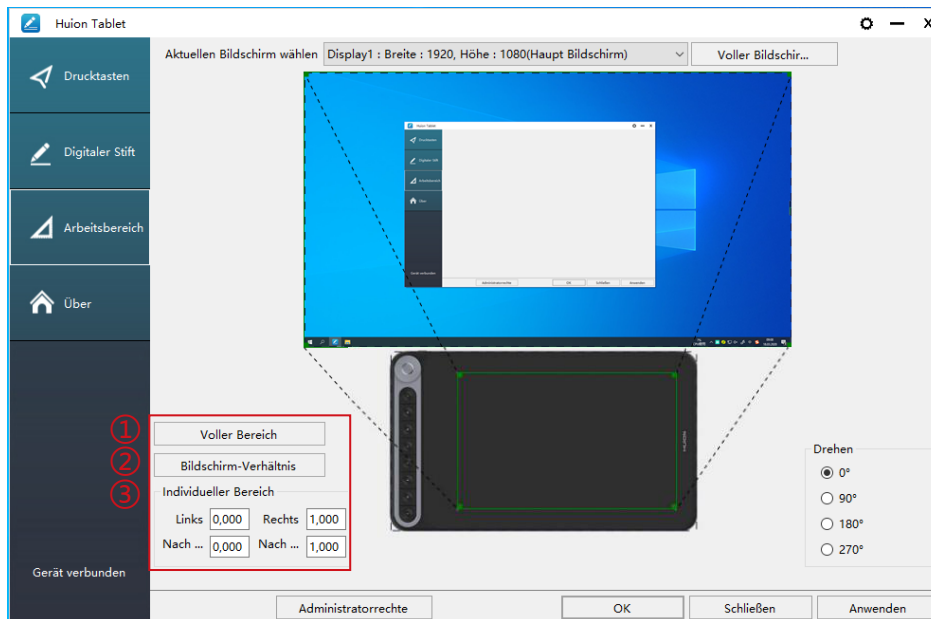
[1] Volle Abdeckung: deckt die vollständige aktive Fläche des Tablet ab. Dies ist die Standardeinstellung.

[2] Seitenverhältnis: Das Seitenverhältnis beträgt generell 16:9.

[3] Benutzerdefinierte Fläche:

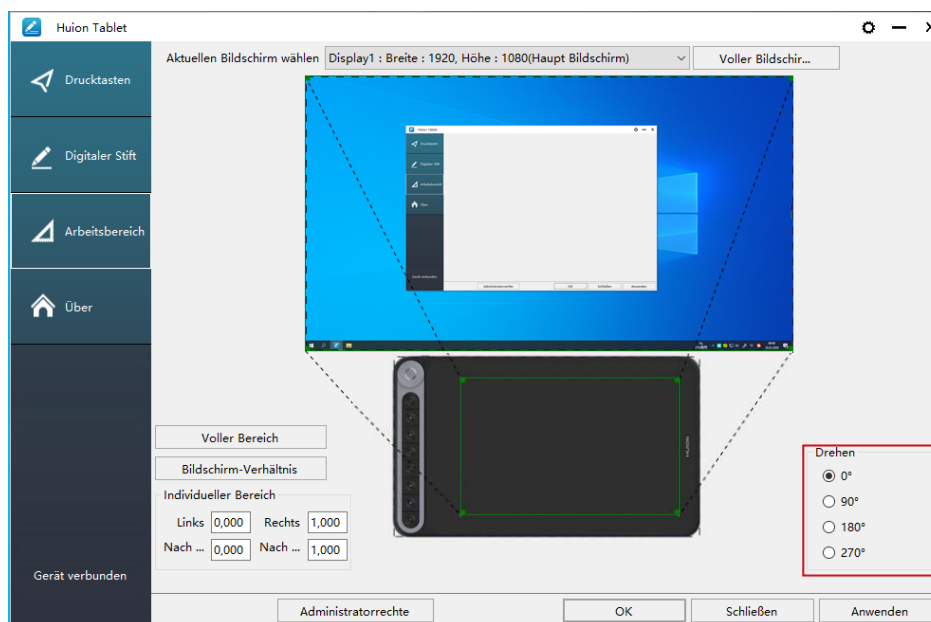
1> Koordinateneingabe.

2> Die Ecken der Vordergrundgrafik ziehen, um die Bildschirmfläche zu definieren.



4.1.3 Rotation des Arbeitsbereichs

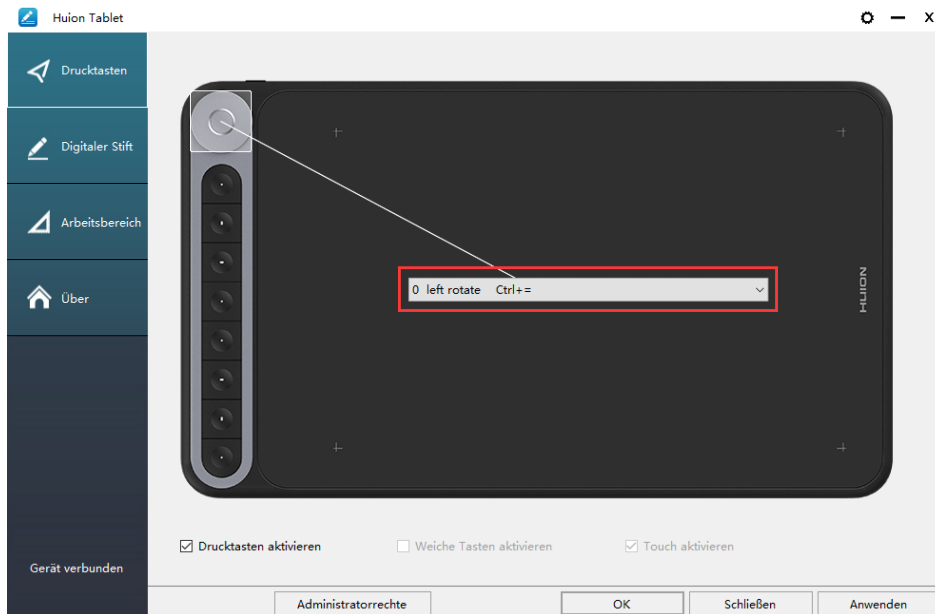
Die Ausrichtung des Tablet kann geändert werden, um es links- oder rechtshändig zu verwenden. Sie können das Tablet in den Schritten 0 ° , 90 ° , 180 ° oder 270 °



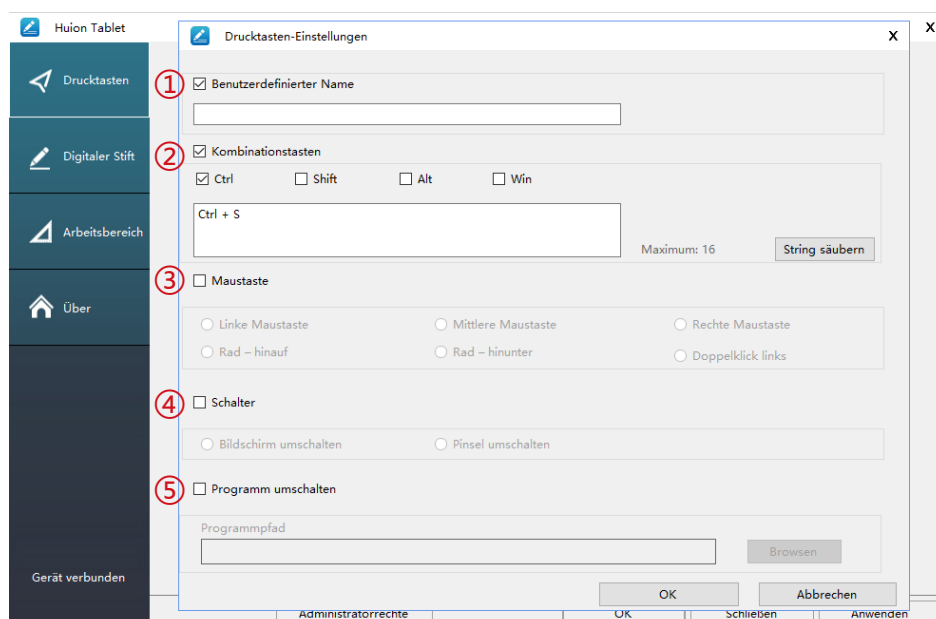
4.2 Druckschalter-Funktionseinstellungen

Standardeinstellung: Platzieren Sie den Mauszeiger auf den Druckschalter oder klicken Sie den Druckschalter um die Standardwerte wiederherzustellen.

Benutzerdefinierte Einstellungen: Wählen Sie die gewünschten Funktionen in der pop-up Dialogbox, klicken Sie dann "Anwenden" oder "OK" um die Änderungen anzuwenden.

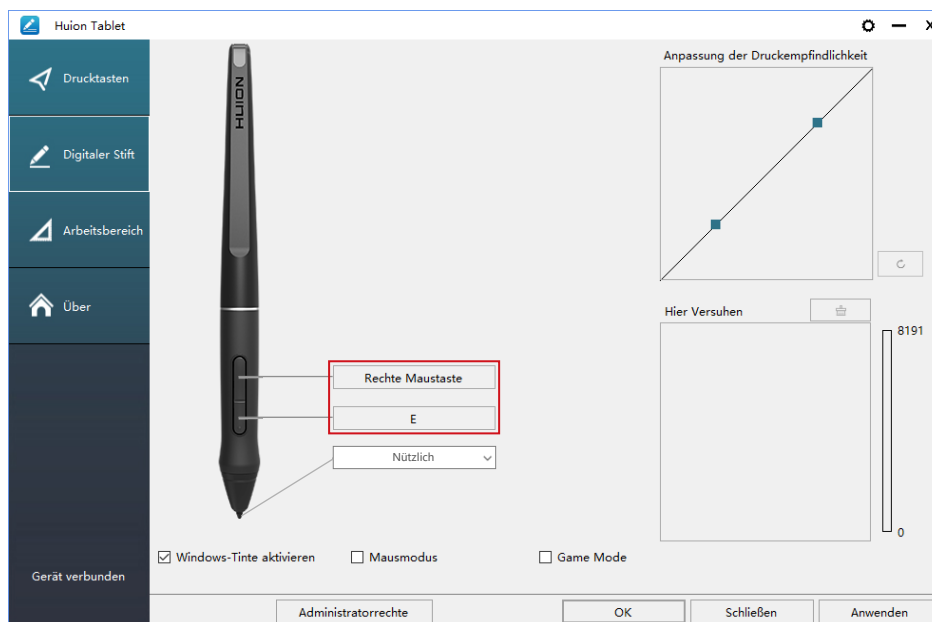


- ① Benutzerdefiniert: Benutzername: das wird anhand der verwendeten gewohnheiten Oder fachausdrücke festgelegt.
- ② Tastenkombinationen: Strg, Shift, Alt, Win+ beliebige Buchstaben. Strg, Shift, Alt, Win, können einzeln oder in Kombination für benutzerdefinierte Shortcuts verwendet werden. Tragen Sie die entsprechenden Einstellungen in das Eingabefeld ein. Zum Beispiel: Deselektieren: Strg + D, Task Manager öffnen Strg + Alt + Entf.
- ③ Maustastenfunktionen: Klicken Sie auf die Box, wählen Sie die benötigte funktion.
- ④ Funktionen austauschen: Klicken Sie auf die Box und wählen Sie die benötigte Funktion.
- ⑤ Programmausführungsfunktion: Klicken Sie auf durchsuchen und wählen Sie die Verbindung um einen Schnellzugriff auf das am häufigsten genutzte Programm einzurichten.



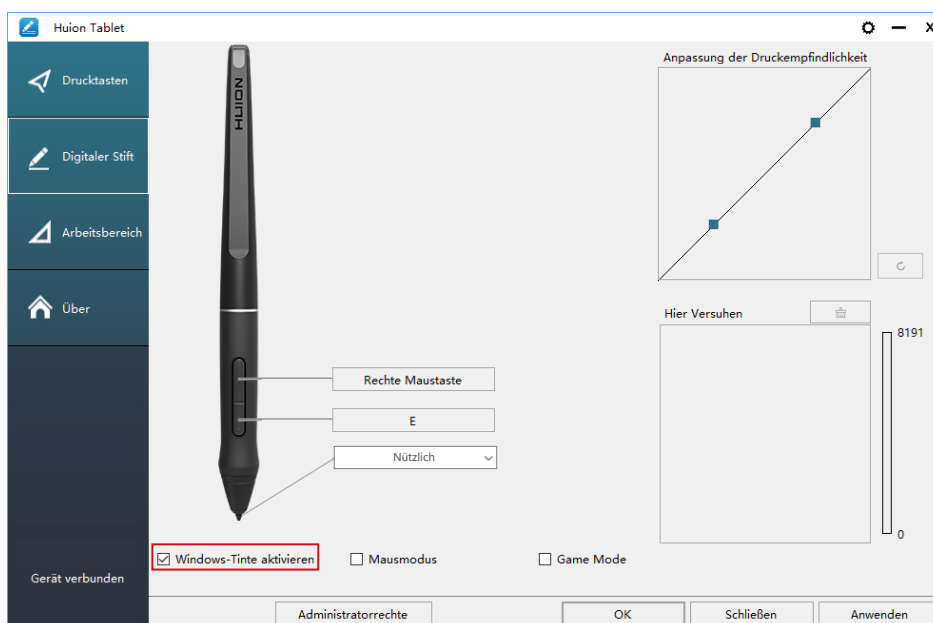
4.3 Einstellungen für die Funktionen der Stiftknoten

Wählen Sie die gewünschte Funktion in der pop-up Dialogbox und klicken Sie auf "Anwenden" oder "OK" um sie zu übernehmen.



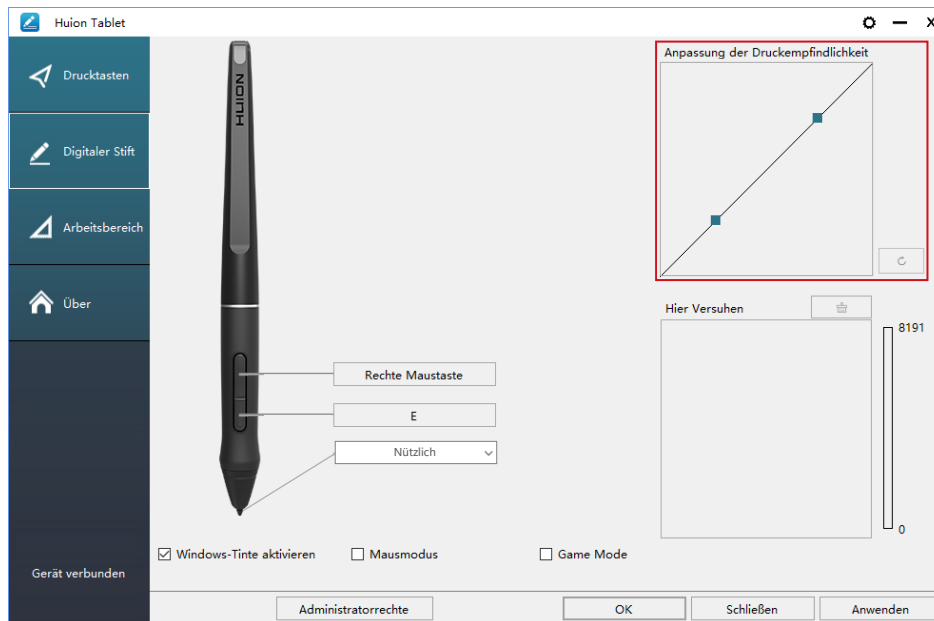
4.4 Windows Ink aktivieren

Microsoft Windows bietet erweiterte Unterstützung für Stift-Input. Ihr Stift wird in Programmen wie Microsoft Office, Windows Journal, Adobe Photoshop CC, Sketch Book 6 und so weiter unterstützt.




4.5 Einstellungen zur Drucksensitivität

Die Drucksensitivität kann mit der Leiste geändert werden. Je kleiner der Wert, desto sensibler der Stift.

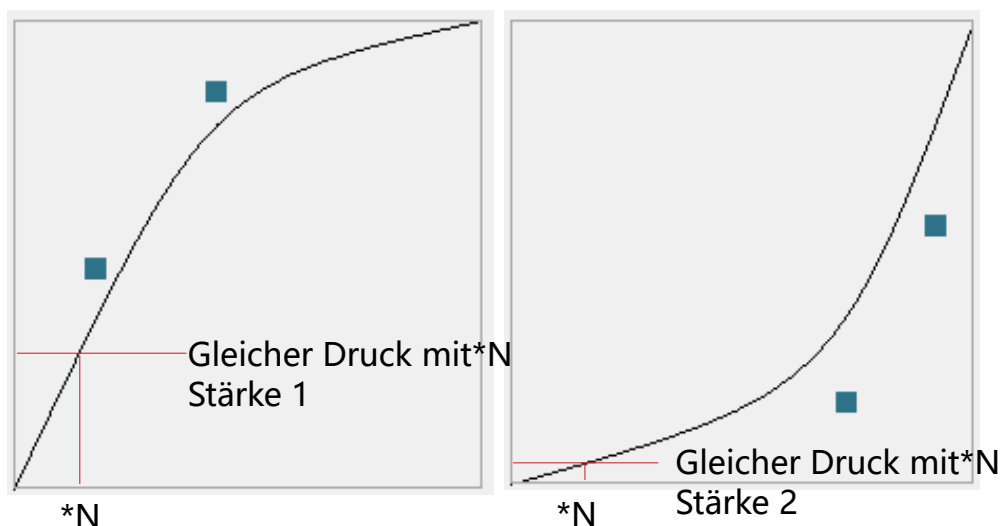


Nach oben ziehen (links): Druck wird offensichtlicher, geringer Druck wird zu großem Druck


Nach unten ziehen (rechts): Druck wird abgeschwächt, auch großer Druck verursacht nur geringen Druck.

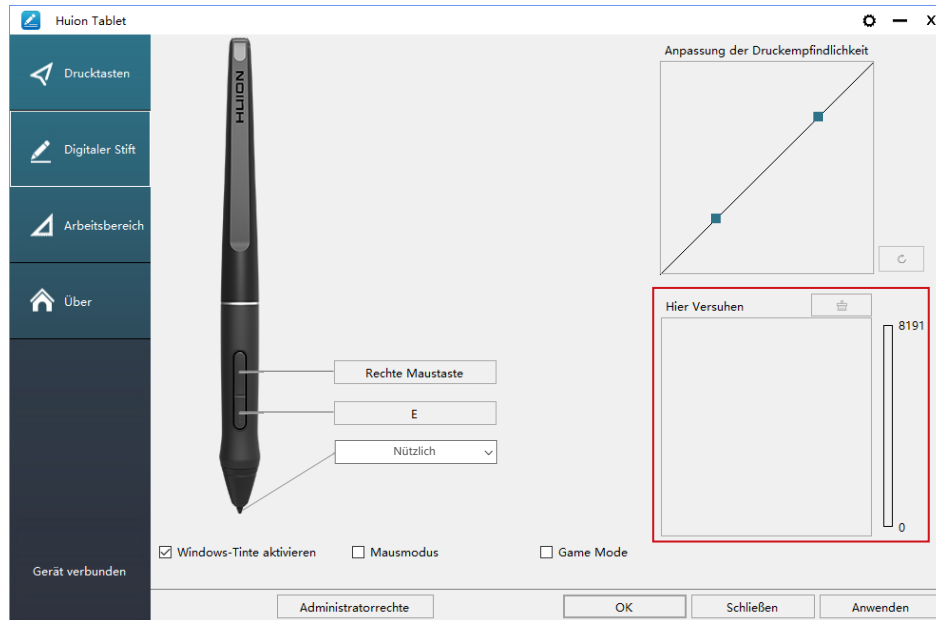
Klicken Sie die Schaltfläche  unten rechts in der Einstellungs-Box, um den Standardwert der Drucksensitivität wiederherzustellen.

Zum Beispiel: Gleichbleibender physikalischer Druck mit dem Stift auf das Tablet wird je nach Einstellungen zu unterschiedlichen Druckintensitäten in der Software. Die Drucksensitivität sollte anhand Ihrer Fingerhaltung und Handgröße eingestellt



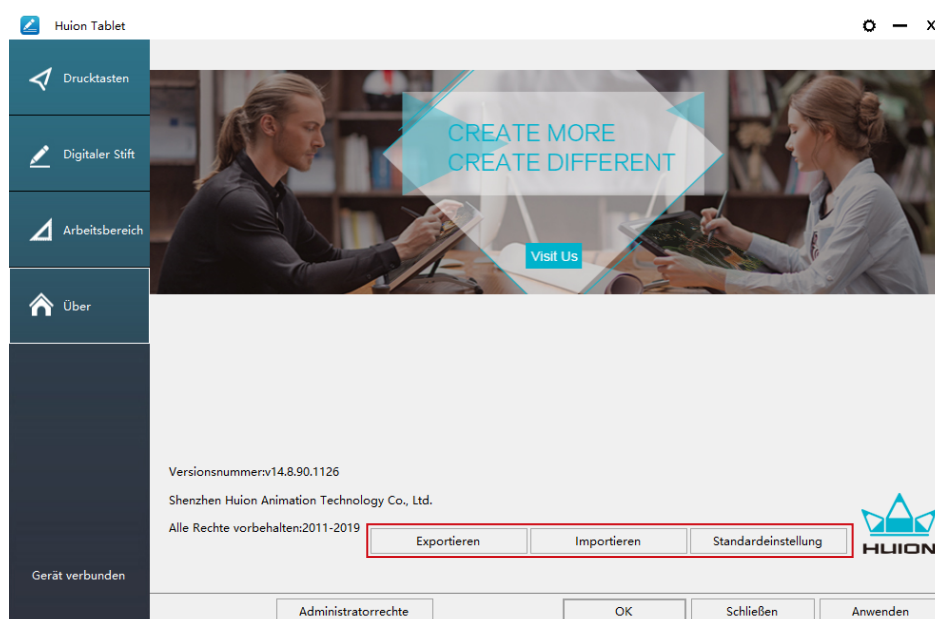
4.6 Stiftdrucktest

Sie können nach und nach den Druck Ihres Stifts auf den Bildschirm erhöhen um das Druckniveau zu testen. Klicken Sie auf die "  " Schaltfläche um die Tinte zu entfernen.



4.7 Exportieren und Importieren

Der Treiber unterstützt das Exportieren und Importieren Ihrer benutzerdefinierten Konfigurationsdaten des Produkts, was für Sie bequem ist, um verschiedene Software zu verwenden und die Probleme wiederholter Einstellungen zu vermeiden.



5 / Spezifikationen

Tablet	
Modell	Q620M
Touch Type	Passive Electromagnetic Resonance
Aktive Fläche	Computer: 266.7 x 166.7mm Android: 104.2 x 166.7mm
Dimension	375.5 x 220.4 x 8mm
Nettogewicht	666g
Auflösung	5080LPI
Erkennungsrate	266PPS
Erkennungshöhe	10mm
Schnittstelle	USB-C
Schalter	8 benutzerdefinierbare Druckschalter+ Dail
OS-Unterstützung	Windows 7 oder neuer, macOS 10.12 oder neuer Android 6.0 oder neuer
Stift	
Modell	PW500
Dimension	163.7 x Φ 14.3mm
Nettogewicht	14g
Drucklevel	8192Levels
Genauigkeit	\pm 0.3mm

6/ Problemlösungen

Abnormale Phänomene	Mögliche Lösungen
Es gibt keinen Druck in der Grafiksoftware, aber der Mauszeiger bewegt sich	Sie haben möglicherweise andere Tablet treiber installiert oder während der Treiberinstallation ein Grafikprogramm geöffnet. Deinstallieren Sie die Treiber, schließen Sie ihr Grafikprogramm und installieren Sie die Treiber erneut. Es ist besser, wenn Sie den Computer nach der Installation neustarten.
Der Stift funktioniert nicht	<ol style="list-style-type: none"> 1. Stellen Sie sicher, dass Sie den Stift benutzen, der ursprünglich mit dem Tablet geliefert wurde. 2. Stellen Sie sicher, dass die Treiber korrekt installiert sind.
Die Schalter funktionieren nicht	<ol style="list-style-type: none"> 1. Stellen Sie sicher, dass die Druckschalter-Funktionen im Treiber aktiviert wurden. 2. Stellen Sie sicher, dass Sie die korrekten Funktionen definiert haben. 3. Stellen Sie sicher, dass der Sperrschalter auf der entsprechenden Position steht.
Der Computer kann nicht einschlafen	Wenn Sie das Tablet nicht verwenden, legen Sie den Stift nicht auf dem Tablet ab. Der Stift verhindert die Einschlauffunktion ihres Computers.
Der Seitenschalter des Stifts funktioniert nicht	Wenn Sie den Seitenschalter betätigen, stellen Sie sicher, dass die Stiftspitze nicht das Tablet berührt und sich innerhalb von 10 mm zur Oberfläche befindet.

7 / After-Service-Kontakt

SHENZHEN HUION ANIMATION TECHNOLOGY CO., LTD.



+86-755-32998548



www.huion.com



www.facebook.com/huion



service@huion.com



[huion-skype](https://www.skype.com/huion)



<https://twitter.com/HuionTab>

Sommaire

1 / Précautions	39
2 / Présentation du produit	40
2.1 Votre tablette	40
2.2 Produit et accessoires	40
2.3 Connexion de la tablette.....	41
2.4 Installation des pilotes.....	42
3 / Utilisation du stylet	44
3.1 Tenue du stylet	44
3.2 Position du curseur	44
3.3 Clic	45
3.4 Mouvement	45
3.5 Utilisation des boutons latéraux	45
3.6 Remplacement de la point du stylet.....	46
4 / Réglages des fonctions	47
4.1 Réglage de l'espace de travail.....	47
4.2 Boutons de fonctions	48
4.3 Réglage du bouton du stylet.....	50
4.4 Activer la fonction Windows Ink	50
4.5 Réglage de la sensibilité de la pression.....	51
4.6 Test de la pression du stylet.....	52
4.7 Export et import des données	52
5 / Caractéristiques	53
6 / Dépannages	54
7 / Contacts après vente	55

1 / Précautions



【Veillez lire ce manuel attentivement avant d'utiliser l'tablette. Conservez-le pour le consulter plus tard si besoin.】

--Avant de nettoyer la tablette, débranchez le câble USB et utilisez un chiffon doux, ne jamais utiliser de détergents.

--Veillez ne pas placer la tablette près de sources d'eau telles que baignoire, lavabo, éviers, lave-linge, sous-sol humide, piscine, etc.

--Ne placez pas l'tablette sur des surfaces non planes ou trop haut pour les enfants afin qu'ils puissent l'atteindre facilement sans dangers.

--Ne placez pas la tablette et le stylet près de sources magnétiques.

--Utilisez uniquement le bloc d'alimentation fourni avec l'tablette. Si vous avez des questions sur l'alimentation merci de contacter le distributeur de votre tablette.

--Assurez-vous qu'aucun corps étranger n'obstrue les rainures et les éclaboussures de liquides sur l'tablette afin d'éviter les risques de court-circuit et d'incendie.

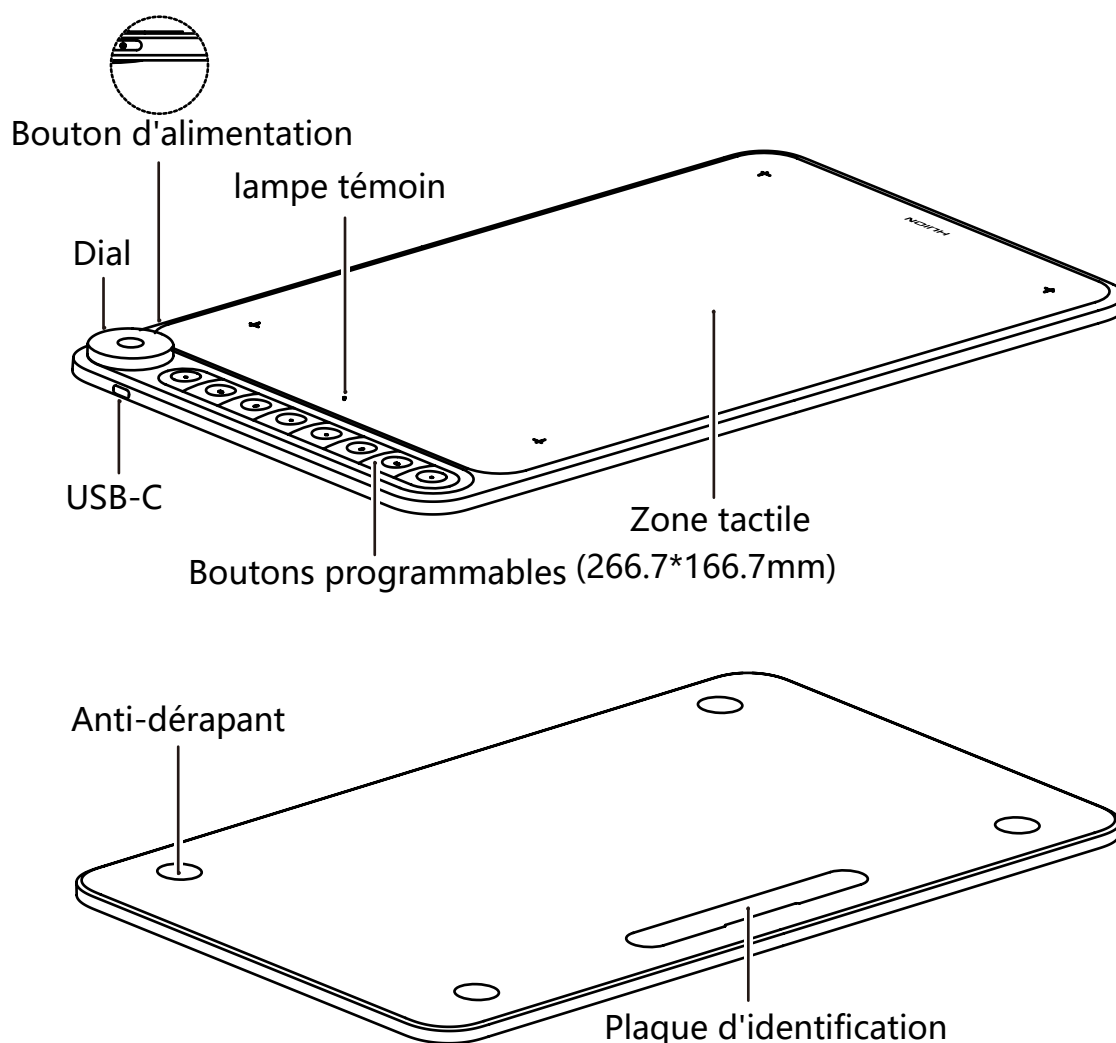
--Lors de remplacement de composants, garantisiez-vous que le réparateur utilise des pièces conformes par le fabricant. Le remplacement par des pièces non autorisées peut provoquer un incendie, court-circuit et autres dangers.

2 / Présentation du produit

2.1 Votre tablette

Merci d' avoir choisi la tablette HUIION® INSPIROY® Dail Q620M. Il s' agit d' une nouvelle génération d' écran graphique professionnelle conçue pour les ordinateurs afin d' améliorer votre efficacité lors de travaux de dessins, cela de manière ludique. Vous pourrez écrire et dessiner en utilisant les différents styles et couleurs de la même manière que si vous utilisiez un crayon sur du papier, un réel choc pour cette nouvelle expérience. Afin d' utiliser au mieux votre KAMVAS veuillez lire le manuel d' utilisation. Celui-ci utilise des impressions écrans sous Windows. Sauf indication contraire ces informations sont valables aussi bien pour les systèmes Windows et Macintosh.

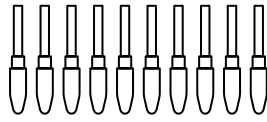
2.2 Produit et accessoires



2.2.2 Accessoires



Styler



Pointes de rechange



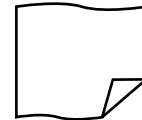
Porte styler



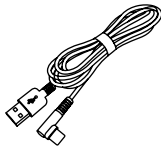
récepteur sans fil



Remplace pointe



Chiffon de nettoyage



USB-C Câble



Guide



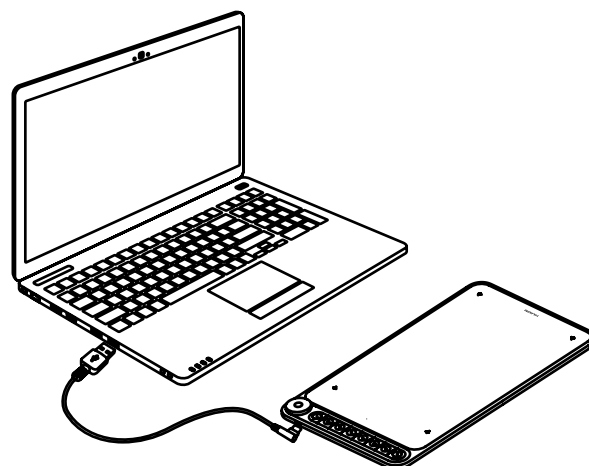
carte de garantie

2.3 Connexion de la tablette

2.3.1 Verbindung mit dem Computer

Connectez la tablette à votre ordinateur avec un câble USB :

- [1] Sortez le câble Usb de l'emballage, puis connectez la tablette à votre ordinateur.
- [2] Ouvrez l'interface du conducteur, le coin inférieur montre l'tablette connecté, indiquant que la tablette est connectée avec succès à l'ordinateur. Vous pouvez commencer à utiliser la tablette.



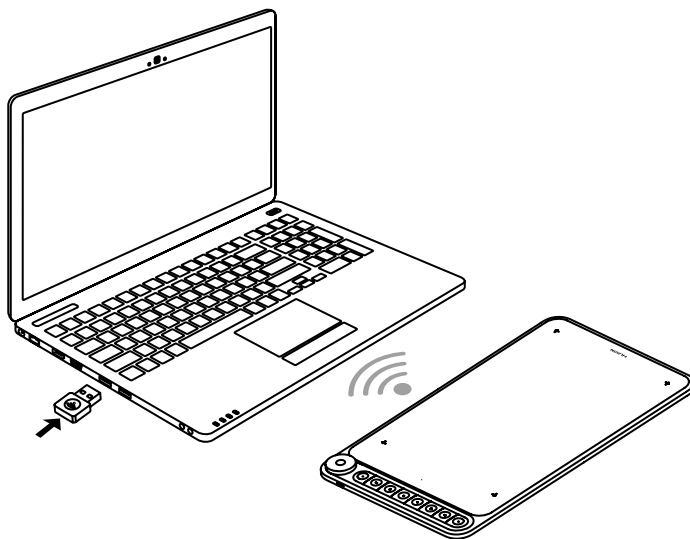
Mode Sans Fil

[1] Reliez le récepteur sans fil à votre ordinateur.

[2] Appuyez sur le bouton marche/arrêt pour mettre la tablette sous tension.

[3] Si vous ne l'utilisez pas pendant 15 minutes, la tablette passe en mode veille.

Dans ce cas, vous devez appuyer à nouveau sur le bouton marche/arrêt pour activer la tablette.



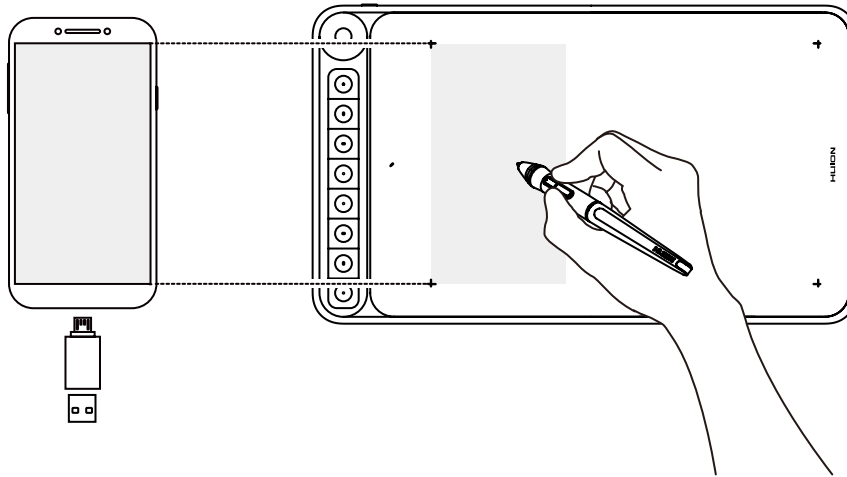
2.3.2 Connecter Huion tablette aux téléphones et des tablettes d'Android

[1] Veuillez utiliser des téléphone/ tablette d'Android en mode portrait.

[2] Assurez-vous que le système d'exploitation de votre téléphone / tablette est les suivants: Android OS 6.0 ou les versions ultérieures.

[3] Pour certains modèles, vous devez accéder à «Paramètres» du téléphone / de la tablette, puis faire activer la fonction «OTG».

[4] Choisissez l'adaptateur correspondant à votre téléphone dans l'emballage, puis connectez la tablette graphique au téléphone/ tablette Insérez le récepteur sans fil dans l'adaptateur OTG, puis insérez l'adaptateur OTG dans l'interface du téléphone portable. En ce moment, activez le commutateur de la tablette pour connecter au téléphone via la technologie sans fil 2.4G.



⚠ Notes:

- [1] Le téléphone chargera la tablette en sens inverse une fois le fil connecté et cela videra rapidement la batterie du téléphone. Elle ne pourra donc être utilisée que par une connexion sans fil au téléphone.
- [2] La tablette graphique fonctionnera sans l'installation de pilote dans le téléphone/tablette.
- [3] Dès que la connexion est succès, la tablette tourne automatiquement à la mode de téléphone, dans ce cas précis, le stylet sera activé dans la zone gauche(166.7 x 104.2mm) en gris sur la tablette (comme présenté sur le schéma).
- [4] Il faut marquer que les touches de la tablette graphique et du stylet ne sont pas prises en charge en mode téléphone.

2.4 Installation des pilotes

2.4.1 Systèmes supportés

Windows 7 ou supérieur, macOS 10.12 ou supérieur.

2.4.2 Installation des pilotes

Merci de télécharger les pilotes depuis notre site web : www.huion.com/fr/download

Une fois l'installation terminée, vous retrouverez l'icône "🖋" dans la barre d'état du système, cela indique que les pilotes ont été correctement installés. Lorsque vous connectez l' tablette, l'icône change de couleur "🖋", ce qui indique que le système a bien reconnu la tablette et que vous pouvez l'utiliser.

! Notes

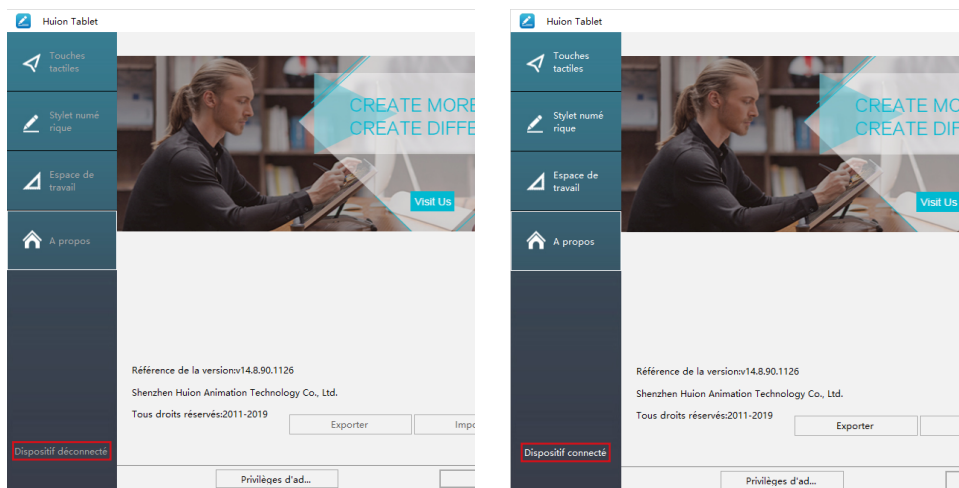
[1] Avant l'installation il faut désinstaller tout autre pilote de produits similaires, ainsi que l'ancien pilote de ce produit.

[2] Avant l'installation, fermez toutes les applications graphiques et anti-virus pour éviter tout risque d'erreur.

2.4.3 Page des pilotes

Après avoir téléchargé avec succès les pilotes, double cliquez pour lancer l'installation. Connectez la appareil à votre ordinateur en utilisant câble.

Quand la connexion est établie, surveillez une notification en bas à gauche dans la page des pilotes. Il y a 2 états possibles : "Dispositif Déconnecté" ou "Dispositif Connecté" et une LED s'allumera.



3 / Utilisation du stylet

3.1 Tenue du stylet

Tenez le stylet comme vous tiendrez un stylo normal. Ajustez la tenue afin de pouvoir facilement accéder avec votre pouce aux boutons latéraux. Faites attention de ne pas être gêné par ces boutons et de les actionner accidentellement lors de l'utilisation.

A noter :

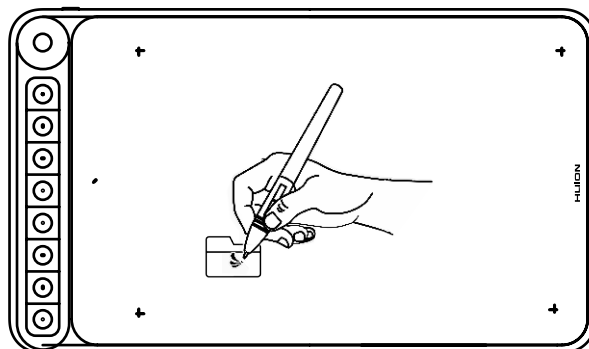
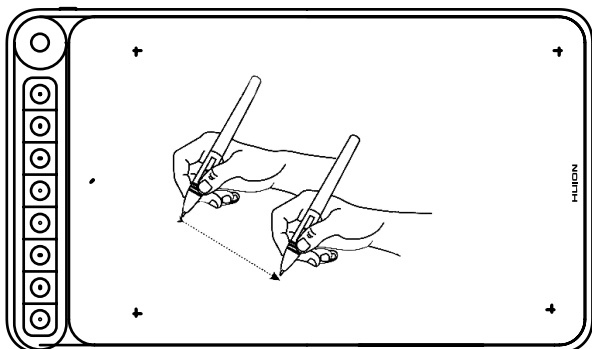
Lorsque vous n'utilisez pas le stylet, rangez le dans son étui ou sur votre bureau. Ne le laissez pas sur l'écran, cela pourrait perturber l'utilisation. Cela pourrait également empêcher le passage de votre ordinateur en mode veille.



3.2 Position du curseur

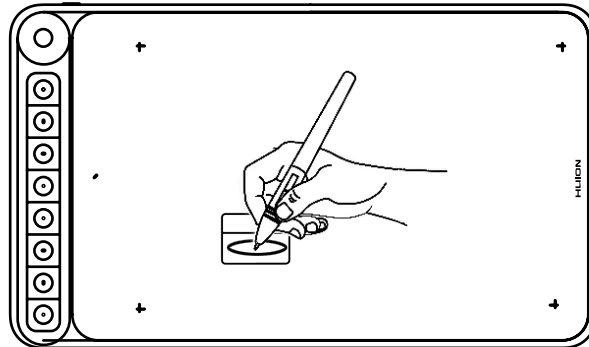
Déplacez le stylet légèrement au-dessus de l'écran sans le toucher. Le curseur se déplacera en suivant votre mouvement.

Appuyez avec la pointe du stylet sur l'écran pour faire votre choix. Appuyez avec suffisamment de pression pour enregistrer un clic.



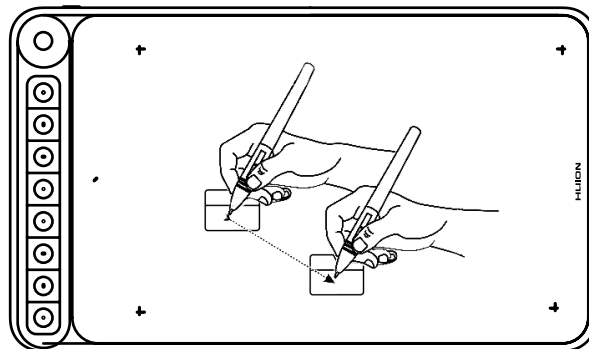
3.3 Clic

Utilisez le stylet en appuyant sur l'écran pour réaliser un clic. Cliquez pour effectuer une sélection à l'écran, double cliquez pour l'ouvrir.



3.4 Mouvement

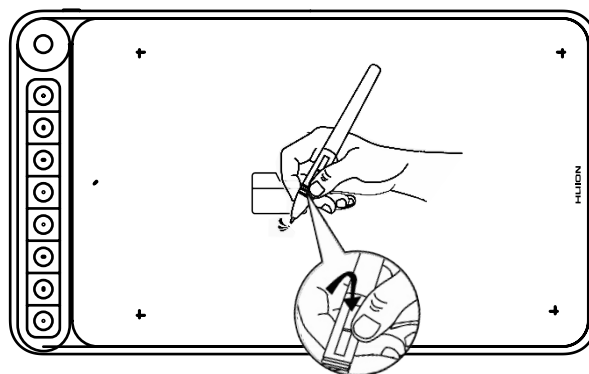
Sélectionner un objet et glissez-le à l'écran en bougeant le stylet.



3.5 Utilisation des boutons latéraux

Les boutons latéraux du stylet peuvent être réglés avec 2 fonctions personnalisables. Ils sont utilisables lorsque la pointe est à moins de 10mm de l'écran.

Il n'est pas nécessaire de toucher l'écran pour utiliser les boutons.



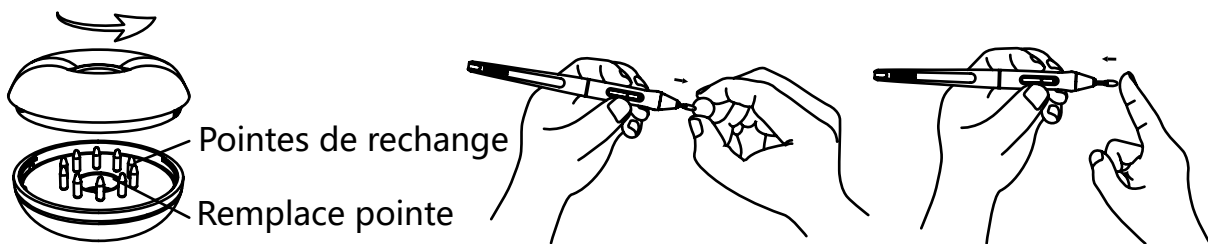
3.6 Remplacement de la pointe du stylet

Après de nombreuses utilisations la pointe s'usera et il sera nécessaire de la remplacer.

[1] Tournez dans le sens inverse des aiguilles d'une montre le couvercle du porte stylet pour l'ouvrir et prenez une nouvelle pointe.

[2] Insérez la pointe du stylo dans le trou du bas du support, et inclinez le stylo pour retirer l'ancienne pointe.

[3] Insérez la nouvelle pointe dans le stylo en la poussant lentement et fermement jusqu'à ce qu'elle s'arrête.



4 / Réglages des fonctions

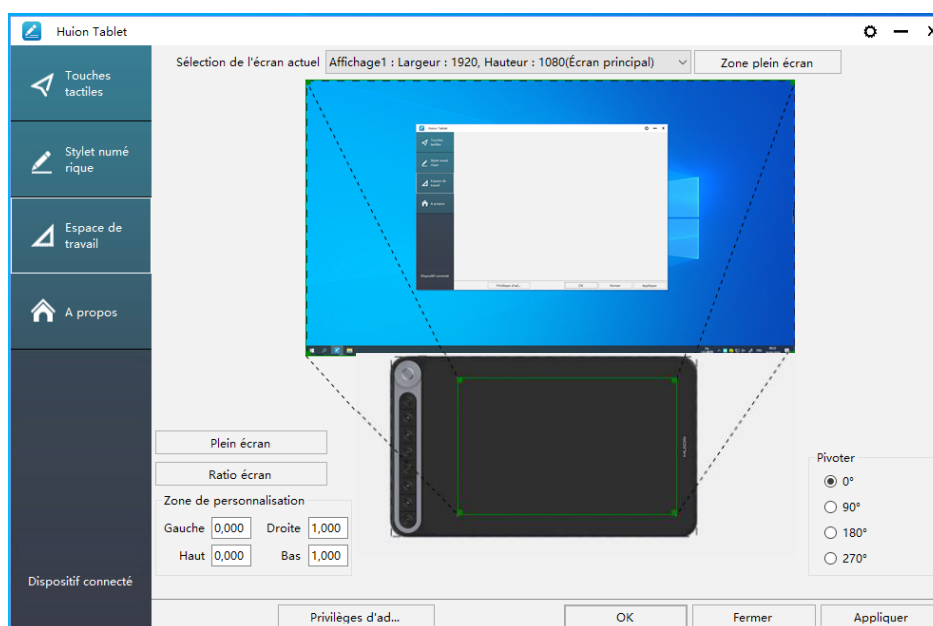
4.1 Réglage de l'espace de travail

4.1.1 Utilisation de plusieurs écrans

Sélectionner l'onglet Zone de travail pour établir le lien entre le mouvement du stylet et l'affichage du mouvement du curseur à l'écran.

Par défaut toute la zone active d'affichage correspond à tout l'écran. Si vous utilisez plusieurs écrans et que vous êtes en mode étendu vous devez choisir le moniteur associé dans le paramétrage des pilotes.

Si vos écrans sont en mode miroir (tous les écrans affichent la même chose), l'affichage correspond à tout l'espace sur chacun des écrans et le curseurs s'affichera simultanément sur chaque écran.



4.1.2 Réglage de l'espace de travail

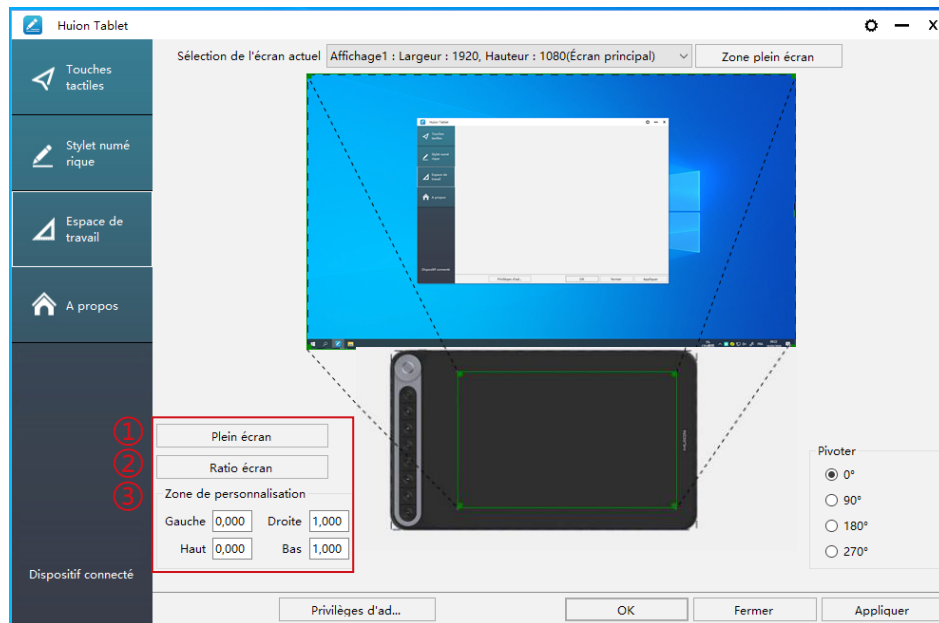
5.1.2 Définissez la zone qui sera affichée à l'écran.

[1] Toute zone: toute la zone active de l'. Ceci est le paramètre par défaut.

[2] Zone personnalisée :

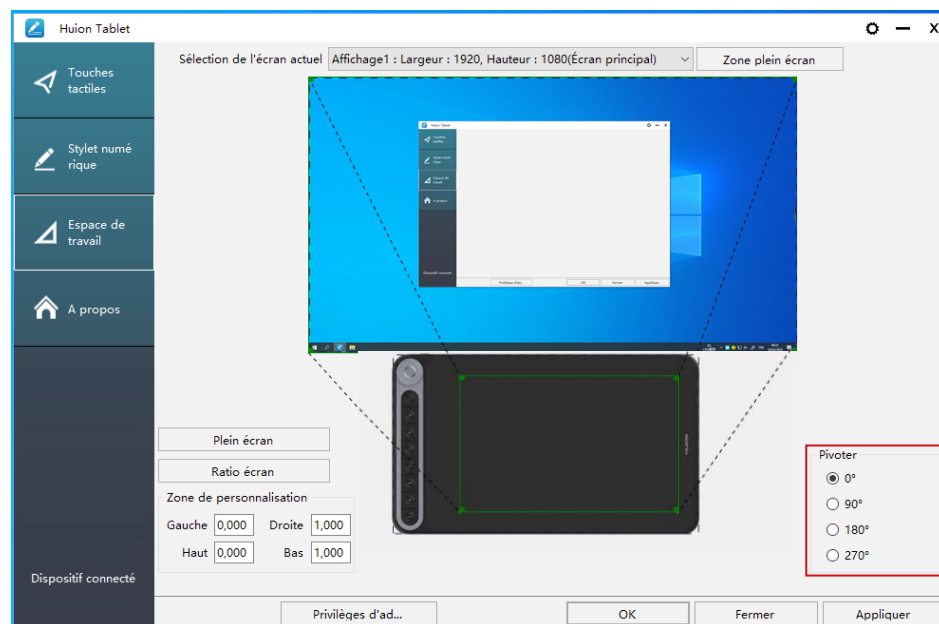
1> Entrer les coordonnées souhaitées,

2> Faites glisser les coins de la zone souhaitée à l'écran.



4.1.3 Rotation de la zone de travail

En tournant la tablette il est possible d'adapter la rotation de l'affichage. Vous pouvez faire une rotation de 0°, 90°, 180° ou 270°.

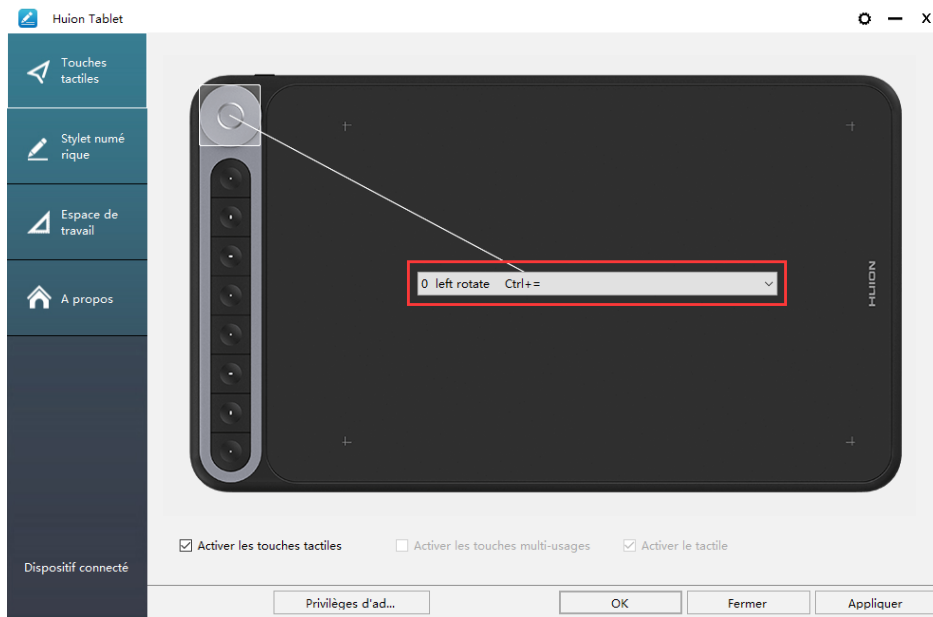


4.2 Boutons de fonctions

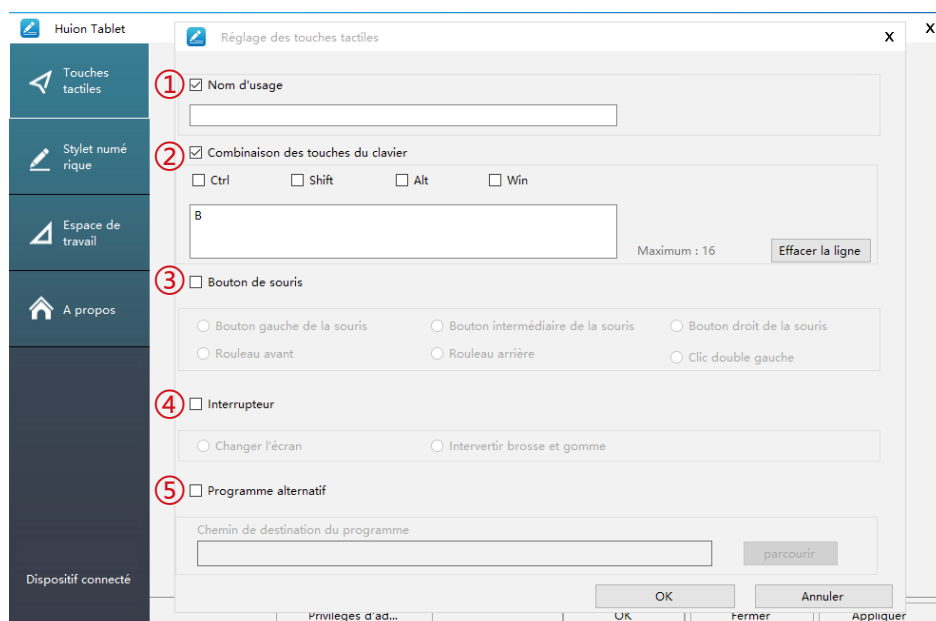
Paramètre par défaut : Placez le curseur sur le bouton ou cliquez sur l'icône représentant le bouton afin de visualiser les valeurs par défaut.

Paramètre personnalisé : Sélectionnez la fonction que vous souhaitez attribuer et validez par "Appliquer" ou par "OK".

Activer/Désactiver les boutons : Cocher / décocher "Enable Press key".

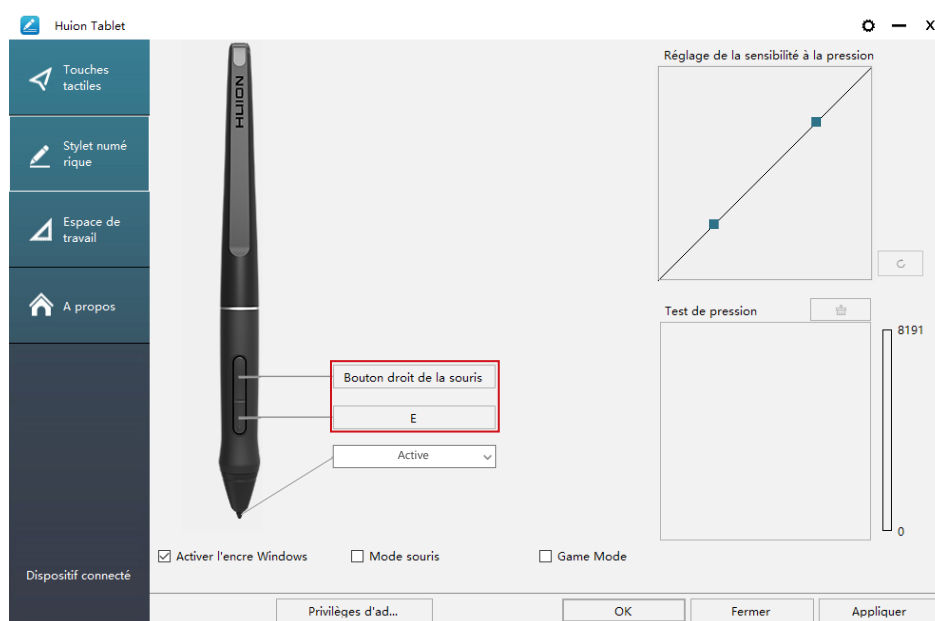


- ① Personnalisée : A paramétrer selon vos usages personnels.
- ② Combinaison de touches : Ctrl, Shift, Alt, Win+ n'importe quelle touche ou autre Ctrl, Shift, Alt, Win, vous pouvez en sélectionner une ou plusieurs et les organiser. Entrez les paramètres souhaités comme par exemple : Pour désélectionner -Ctrl +D, entrez dans le gestionnaire de taches -Ctrl +Alt+Delete, etc.
- ③ Fonction du bouton de souris : cliquez sur la case et sélectionnez la fonction souhaitée.
- ④ Fonction de basculement : Cliquez également sur la case et sélectionnez la fonction souhaitée.
- ⑤ E x é c u t e z la fonction du programme : cliquez sur parcourir, et sélectionnez la connexion à établir avec les programmes utilisés fréquemment.



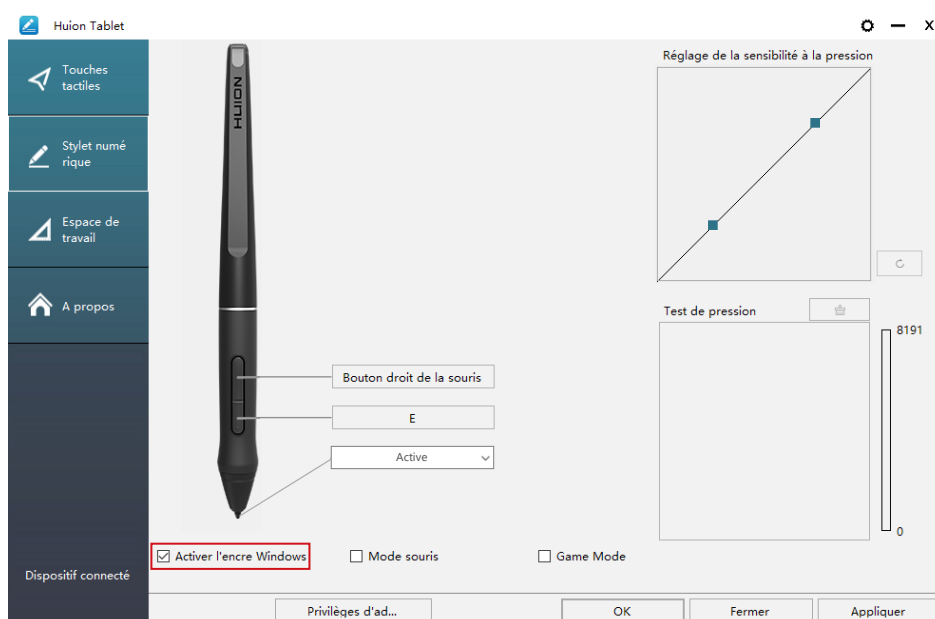
4.3 Réglage du bouton du stylet

Sélectionnez la fonction que vous souhaitez attribuer et valider par "Appliquer" ou par "OK".



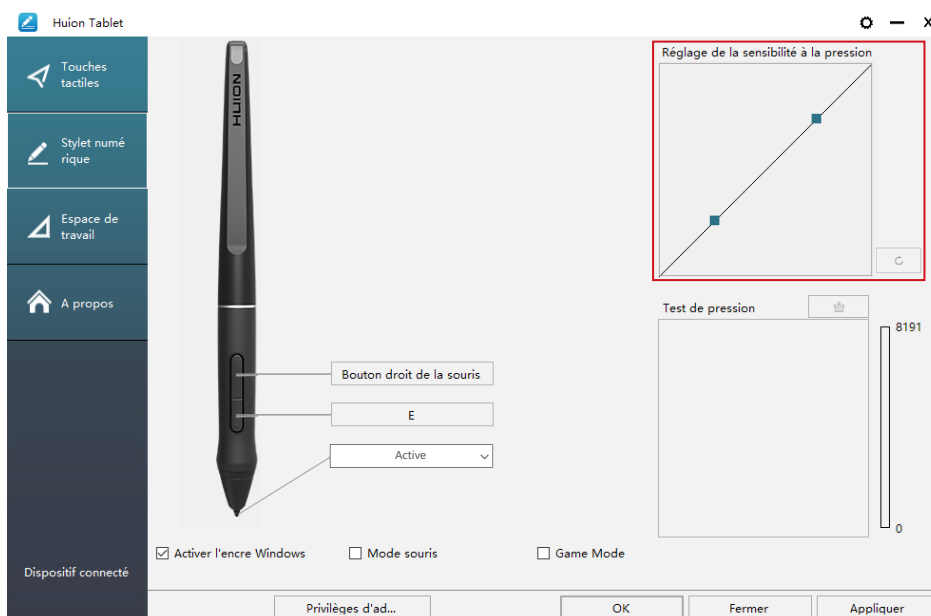
4.4 Activer la fonction Windows Ink

Microsoft Windows permet une prise en charge de la saisie au stylet. Les fonctions de stylet sont supportées dans les logiciels tels que Microsoft Office, Windows Journal, Adobe Photoshop CC, SketchBook 6 etc...




4.5 Réglage de la sensibilité de la pression

La sensibilité de la pression du stylet peut être changée en ajustant via le curseur sa valeur. Plus la valeur est petite, plus la pression sera sensible.

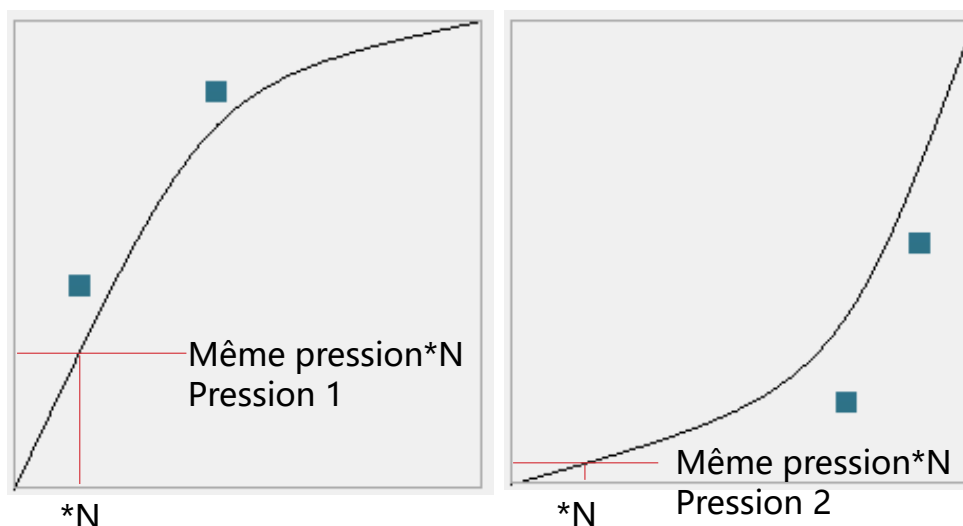


Faire glisser vers le haut (gauche) : le changement de pression est plus prononcé : une petite pression produit une grande pression.


Faire glisser vers le bas (droite) : le changement de pression est faible : beaucoup de pression produit moins de pression.

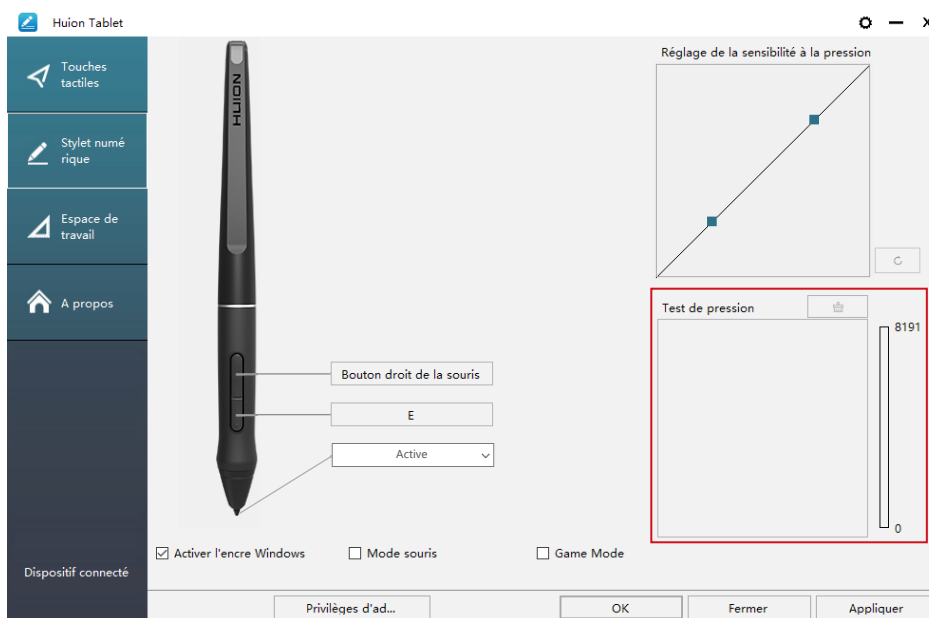
Cliquez le bouton  en bas à droite dans la boîte de dialogue pour remettre la sensibilité à sa valeur par défaut.

Par exemple : appliquez * N la même pression sous un coefficient de pression différent, cela produit une pression différente. En fonction des habitudes de tenue du stylet et de la taille de la main adoptez les réglages appropriés. werden.



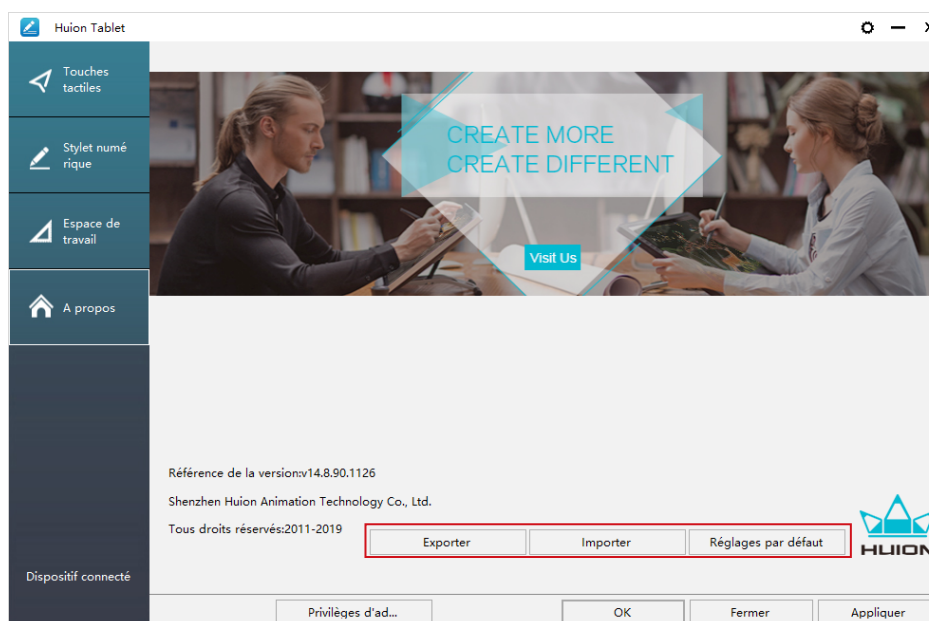
4.6 Test de la pression du stylet

Vous pourrez progressivement augmenter la pression sur le stylet pour tester son niveau de sensibilité. Cliquez sur "  " pour tout effacer.



4.7 Export et import des données

Les pilotes permettent l'export et l'import de vos paramètres de la tablette. Cela permet de conserver ces réglages et les rétablir facilement.



5 / Caractéristiques

Tablette	
Modèle	Q620M
Type tactile	Électromagnétique Résonance sans batterie
Zone tactile	Computer: 266.7 x 166.7mm Android: 104.2 x 166.7mm
Dimension	375.5 x 220.4 x 8mm
Poids	666g
Résolution	5080LPI
Taux de transfert	266PPS
Hauteur de détection	10mm
Interface	USB-C
Boutons	8 boutons personnalisables+ Dail
Comptabilité logiciel	Windows 7 ou plus, macOS 10.12 ou plus Android 6.0 ou plus
Stift	
Modèle	PW500
Dimension	163.7 x Φ 14.3mm
Poids	14g
Niveaux de pression	8192Levels
Précision	\pm 0.3mm

6 / Dépannages

Cause	Solution possible
Le curseur se déplace mais la pression n'est pas détectée	<p>Vous avez peut être installé les mauvais pilotes ou ouvert un logiciel de dessin pendant l'installation.</p> <p>Veillez désinstaller tous les pilotes, fermer les logiciels de dessin puis réinstaller le pilote. Il est recommandé de redémarrer l'ordinateur après avoir terminé l'installation.</p>
Le stylet ne fonctionne pas	<ol style="list-style-type: none"> 1. Assurez-vous d'utiliser le stylet d'origine fourni avec la tablette. 2. Assurez-vous que le pilote est bien installé.
Les boutons ne fonctionnent pas.	<ol style="list-style-type: none"> 1. Assurez-vous que les boutons sont bien activés dans le pilote. 2. Assurez-vous d'avoir bien défini les boutons. 3. Vérifier que le bouton de verrouillage soit en position déverrouillée.
L'ordinateur ne bascule pas en mode veille.	<p>Lorsque vous n'utilisez pas la tablette ne laissez pas le stylet sur l'écran, cela pourrait empêcher la mise en veille.</p>
Il y a un écart entre la pointe du stylet et le curseur	<p>Essayez de recalibrer le stylet.</p>
L'ordinateur ne reconnaît pas la tablette	<p>Assurez-vous que le port USB n'est pas défectueux, changez de port USB.</p>

7/ Contacts après vente

SHENZHEN HUION ANIMATION TECHNOLOGY CO., LTD.



+86-755-32998548



www.huion.com



www.facebook.com/huion



service@huion.com



[huion-skype](https://www.skype.com/huion)



<https://twitter.com/HuionTab>

目次

1 / 安全上のご注意	57
2 / 前書き	58
2.1 製品の特徴.....	58
2.2 各部のなまえとはたらき.....	58
2.3 タブレットイを接続する.....	59
2.4 ドライバーをインストールする	60
3 / ペンの基本操作	62
3.1 ペンの持ち方.....	62
3.2 カーソルの移動	62
3.3 クリック	63
3.4 アイテムの移動	63
3.5 サイドボタンを使用する.....	63
3.6 替え芯をセットする	64
4 / 機能設定	65
4.1 作業領域の設定	65
4.2 ショートカットキー設定.....	66
4.3 ペンのサイドボタン設定.....	68
4.4 Windows Ink 機能を有効にする	68
4.5 筆圧感度を設定する	69
4.6 筆圧感度のテスト	70
4.7 設定データのインポート / エクスポート	70
5 / 製品の仕様	71
6 / トラブルシューティング	72
7 / お客さまご相談窓口	73

1 / 安全上のご注意



【このたびはお買い上げいただき、誠にありがとうございました。ご使用前に本書をよくお読みのうえ、正しくお使いください。読み終わったらいつでも見られるところに大切に保管してください】

・本製品は精密電子機器です。修理に必要な資格を有しない人が分解・改造・修理を行うことは禁止されています。誤って製品を傷つけたり損傷した場合、発火、火災、発熱、破裂、感電、けがの原因となります。点検・調整・修理はお買い上げの販売店にご依頼ください。

・タブレットイを掃除する前に、USB ケーブルを外し、柔らかい布で拭いてください。洗剤は使用しないでください。

・本製品は防水ではありません。水に濡らしたり、接続端子やすき間から内部に異物や液体を入れないでください。ショートによる故障だけでなく、火災や感電の原因となります。

・浴槽、洗面台、流し台、洗濯機の近く、湿気の多い地下室やプールなど、水の近くに置かないでください。火災、感電の原因となります。

・タブレットイとデジタルペンを磁場の近くに置かないでください。

・不安定な場所や幼児やお子さまの手の届く範囲に置かないでください。落ちたり倒れたりして、けがや故障の原因となります。万一、落としたり破損した場合は電源を切り、お買い上げの販売店にご連絡ください。そのまま使用されますと火災感電、故障の原因となります。

・背面の溝と穴はモニターが過熱しないよう、排熱のためにもうけられていますのでタブレットイをベッドやソファ、カーペットの上や組み込み機器内に置かないでください。動作不良や故障の原因となります。

上記の処置の後、煙が出なくなったことなどを確認してから、お買い上げの販売店に修理を依頼ください。お客さまによる分解・修理は危険ですので、絶対におやめください。

・お手入れの際はベンジン・シンナー・洗剤は使用しないでください。変質や変色の原因となります。

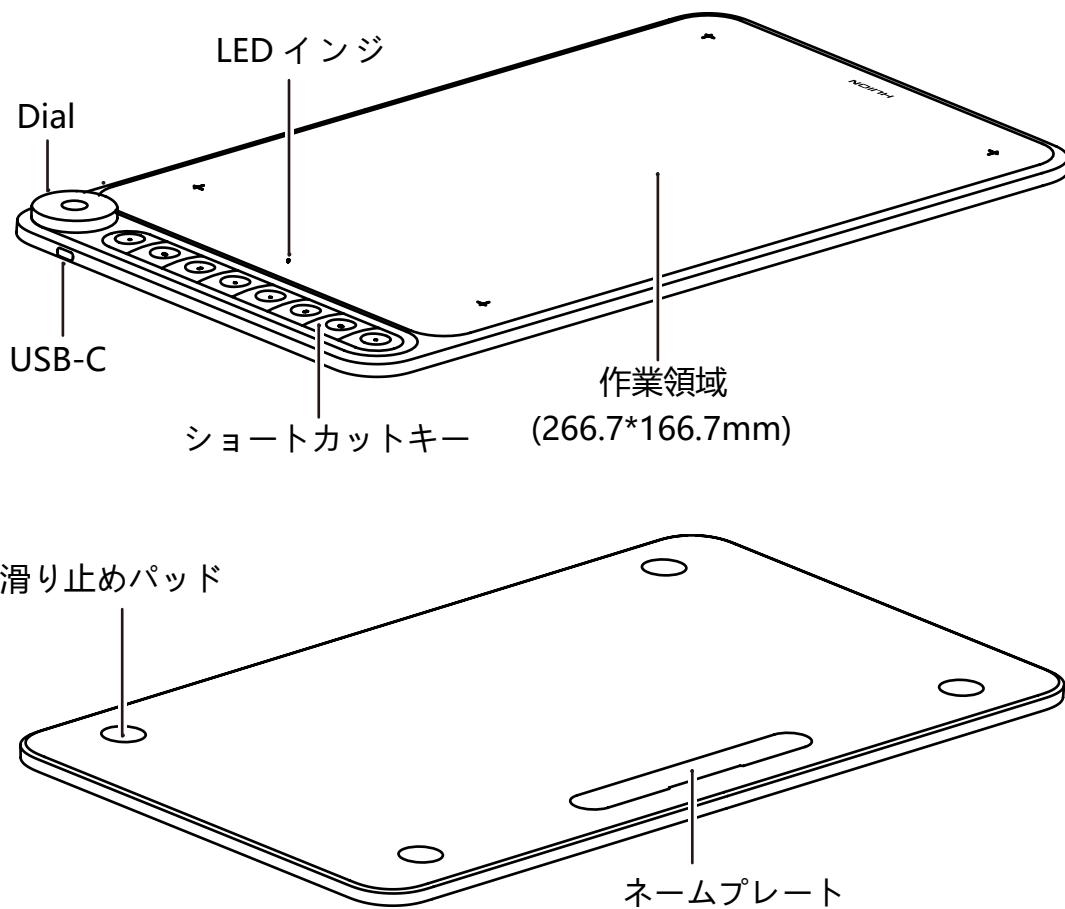
2 / 前書き

2.1 製品の特徴

この度は HUIION® INSPIROY® Dail Q620M クリエーティブタブレットをお買い上げいただき誠にありがとうございます。本機は描画性能と携帯性を兼ね備えた新世代のプロフェッショナルペンタブレットです。まるで紙に描いているかのような自然な描き心地で、思いのままに作業できることを目指しました。

製品を正しくお使いいただくために、本書をよくお読みいただき使用上の注意に従って正しくお使いください。本書では Windows での使用について記載しています。特に指定がない限り、本書の内容は Windows および MacOS の両方に適用されます。

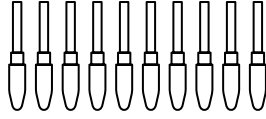
2.2 各部のなまえとはたらき



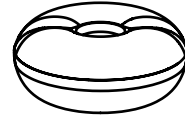
2.2 付属品を確認する



デジタルペン



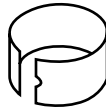
交換用ペン先
(ペンホルダー内蔵)



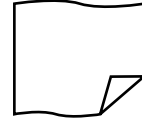
ペンホルダー



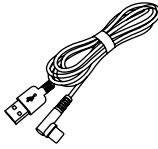
ワイヤレスレシーバ



ペン先クリップ
(ペンホルダー内蔵)



お手入れ用クロス



USB ケーブル



クイックスタートガイド

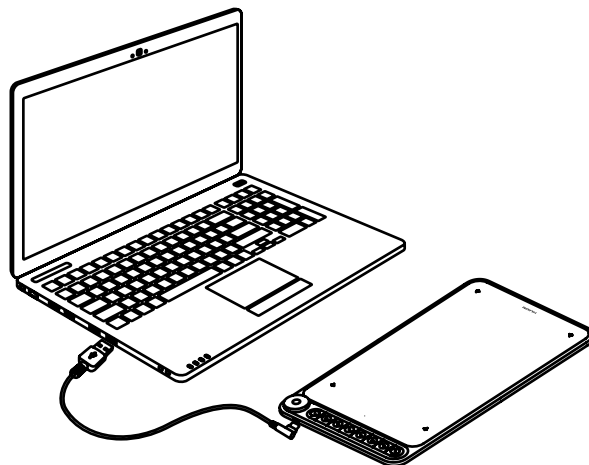


保証書

2.3 タブレットを接続する

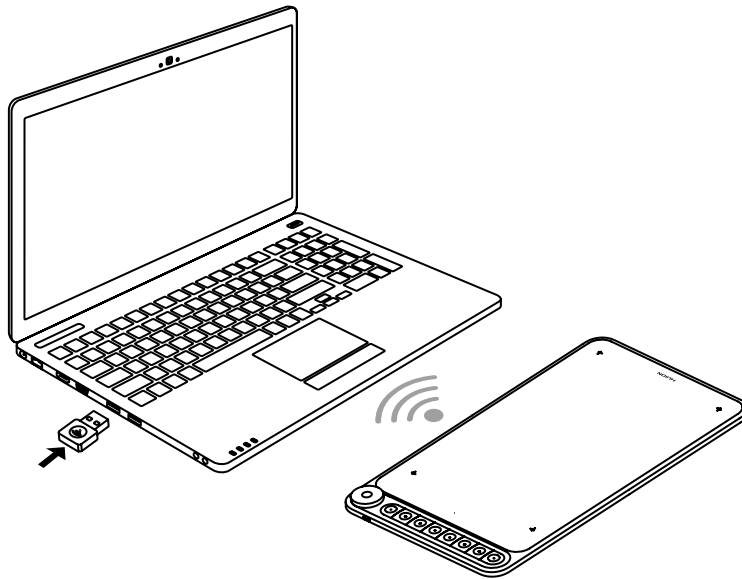
2.3.1 有線接続モード

- [1] パッケージから USB ケーブルを取り出し、ペンタブレットをコンピュータに接続します。
- [2] 有線接続モードで、電源ボタンを押す必要はありません。



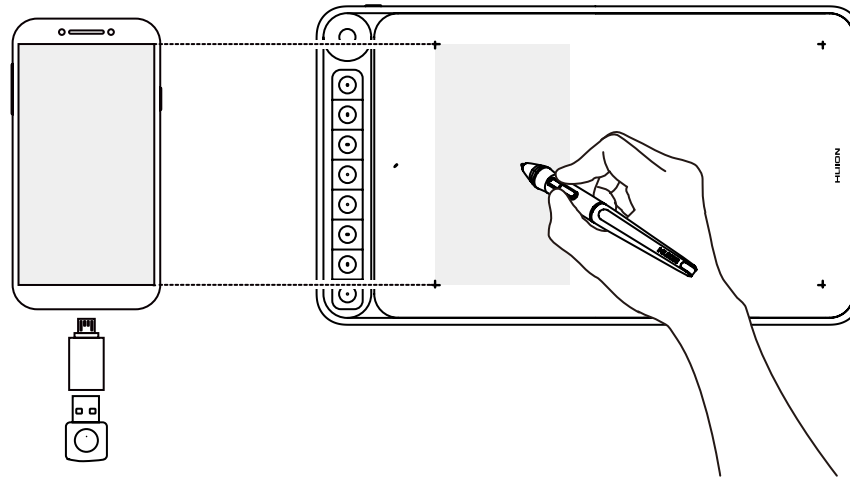
ワイヤレスモード

- [1] パソコンにワイヤレスシーバを挿入して下さい。
- [2] 電源ボタンをオンにして、タブレットの電源を入れます。
- [3] 15分間使わないと、タブレットは節電モードに入ります。この場合、タブレットを再起動するためには、電源ボタンを再度オンにする必要があります。



2.3.2 Android 携帯とタブレットに接続する

- [1] Android スマフォン / タブレットを縦に使用してください。
- [2] お使いのスマフォン / タブレットの OS が Android OS 6.0 以降であることをご確認してください。
- [3] 一部のモデルでは、スマフォン / タブレットの「設定」に移動してから「OTG」機能を有効にする必要があります。
- [4] 携帯電話 / タブレットの USB ポートの種類に応じて、パッケージから適切な OTG アダプターを選択し、ワイヤレスレシーバーを OTG アダプターに挿入してから、OTG アダプターを携帯電話の インターフェイスに挿入します。この時、タブレットスイッチをオンにして、2.4G ワイヤレスを通じて携帯電話と通信します。



⚠️ ご注意:

- [1] 有線で連結された場合、携帯電話はタブレットを逆充電し、携帯電話のバッテリーが急速に消耗されるため、携帯電話にワイヤ리스で連結しなければいけません。
- [2] ペンタブレットはあなたの携帯電話 / タブレットにドライバをインストールせずに動作することができます。
- [3] 一応連結されたら、タブレットは自動的に携帯モードに入り、ペンは左側の灰色のゾーン (166.7 x 104.2mm) のみで動作できます。
- [4] ペンタブレットとデジタルペンのプレスキーは、電話モードではサポートされていないので、注意してください。

2.4 ドライバーをインストールする


2.4.1 対応 OS


Windows 7 以降および、mac OS 10.12 以降。

2.4.2 ドライバーのインストール

下記のウェブサイトからお使いの OS・機種 of ドライバーをダウンロードします。

www.huion.com/jp/download/

ダウンロードしたドライバーをお使いの機器にインストールします。インストールが完了するとタスクバー内の通知領域にドライバーアイコン “” が表示されます。

ペンタブレットを接続するとアイコンの色が “” に変わります。

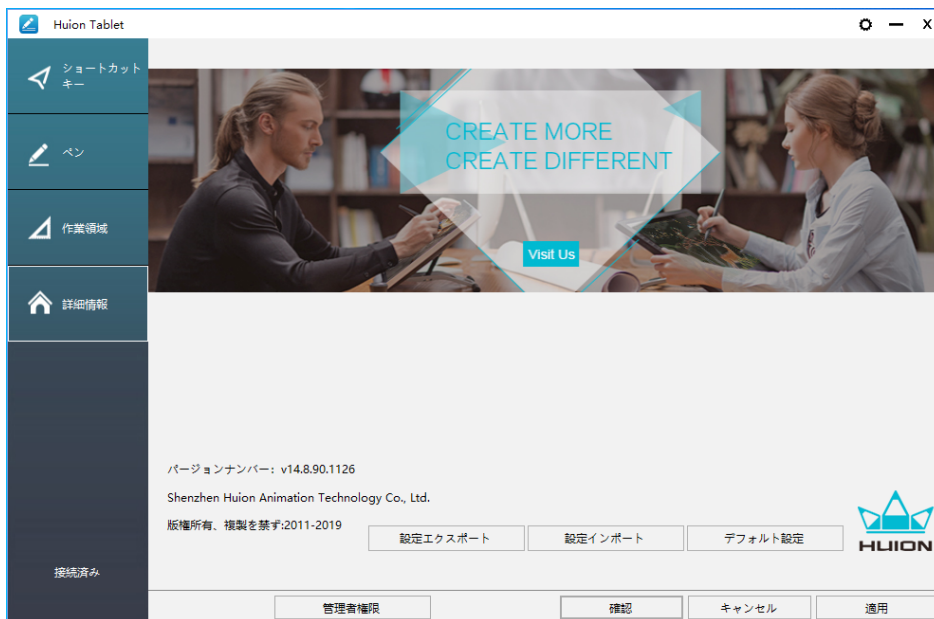


ご注意:

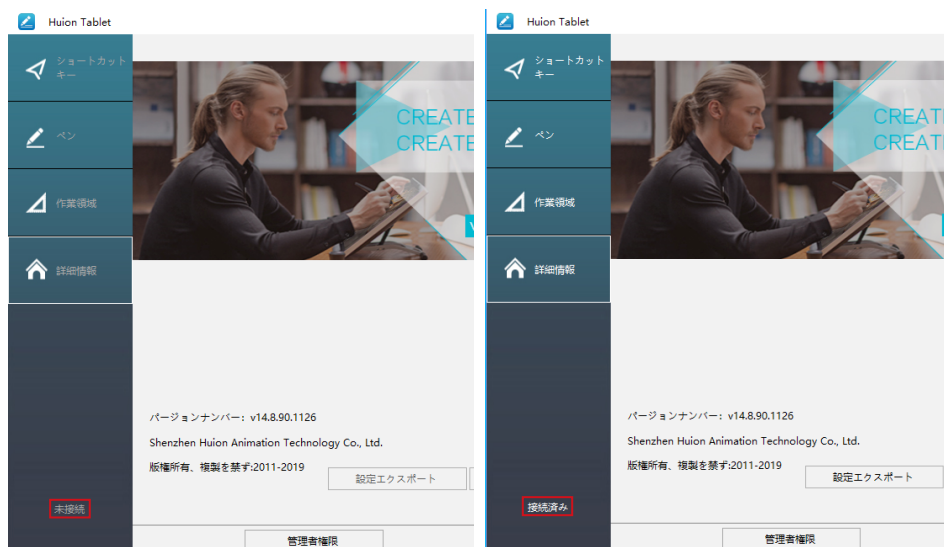
- [1] インストールの前に、古いバージョンのドライバーや他のグラフィックタブレット等のドライバーを削除してください。
- [2] インストールの前に、すべてのグラフィックソフトウェアおよびセキュリティソフトウェアを閉じてください。

2.4.3 ドライバーの設定

インストール完了後、アイコンをダブルクリックしてドライバーソフト [Huion Tablet] を起動し付属のケーブルでペンタブレットを接続します。



ペンタブレットを接続すると、ウインドウ左下のメッセージが「未接続」から「接続済み」に変わります。ペンタブレットの LED ライトが点灯します。



3 / ペンの基本操作

3.1 ペンの持ち方

鉛筆などと同じようにペンを持ちます。サイドスイッチを親指や人差し指で無理なく押せるよう位置を調節してください。使用中に不用意にスイッチを押さないようご注意ください。

ご注意：

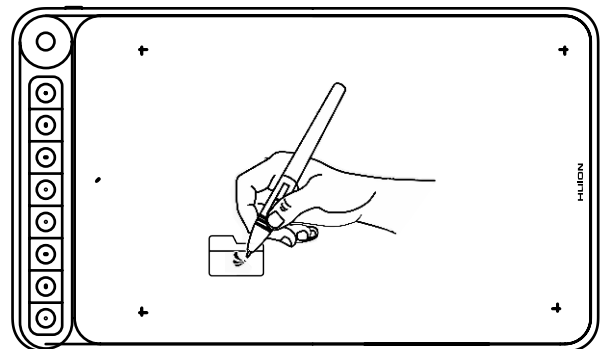
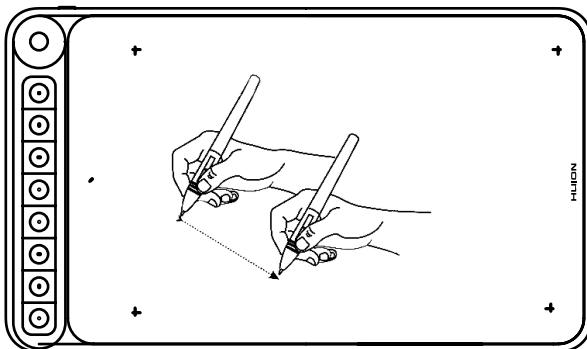
使用しないときはペンをペンホルダーに置くか、ペンタブレットイから離してください。スクリーン上に置いたり近づけたままにしておくと、他のポインターデバイスの誤作動の原因になります。またスリープモードへの移行ができない場合があります。



3.2 カーソルの移動

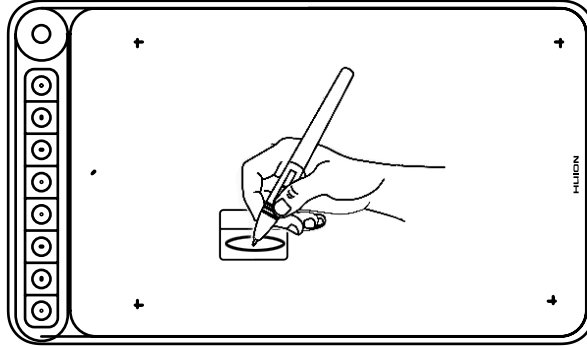
スクリーンに触れないよう、ペン先を少し浮かせたままアクティブエリア上を移動させると、カーソルはペンの動きに合わせて移動します。

ツールやアイテムを選ぶにはペン先で画面を1回タップするか、スクリーンを強めに押しで選択します。



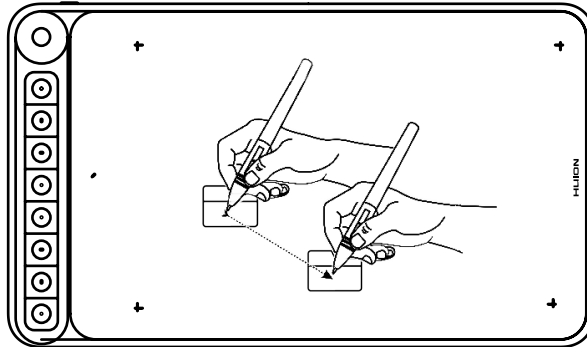
3.3 クリック

ペン先で画面を1回タップするとクリック操作を行います。アイテムをハイライトまたは選択して、ダブルタップしてアイテムを開きます。



3.4 アイテムの移動

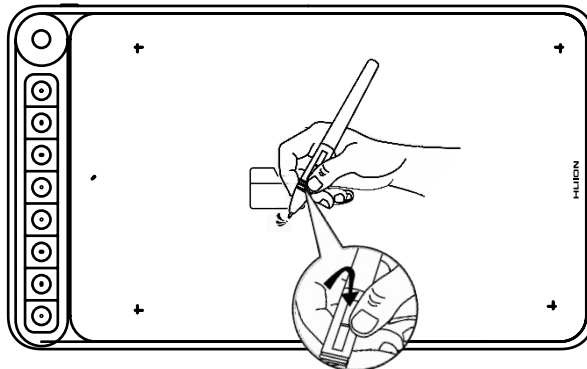
アイテムを選択したままペン先を移動させます。



3.5 サイドボタンを使用する

サイドボタンには2つの異なる機能を割り当てることができます。

割り当てた機能を使うには、ペン先をスクリーンから10mm以内に保持した状態でサイドボタンを押します。ペン先がスクリーンに触れていない状態で使用します。



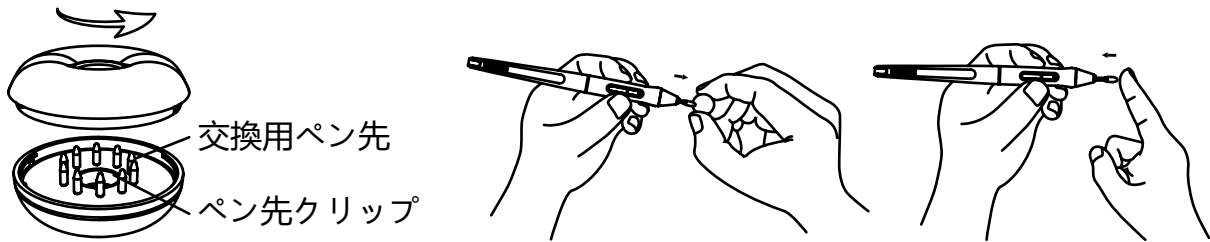
3.6 替え芯をセットする

ペン先は長期間使用すると摩耗します。傷んできたら替え芯を新しいものに交換してください。

[1] ペンホルダーを反時計回りに回転させてカバーを開き、新しい替え芯を取り出します。

[2] 替え芯をホルダーの底の穴に挿し込み、ペンを傾けて古い芯を抜きます。

[3] 新しい替え芯にペンを挿し込み、止まるまでゆっくりとしっかりと押し込みます。



4 / 機能設定

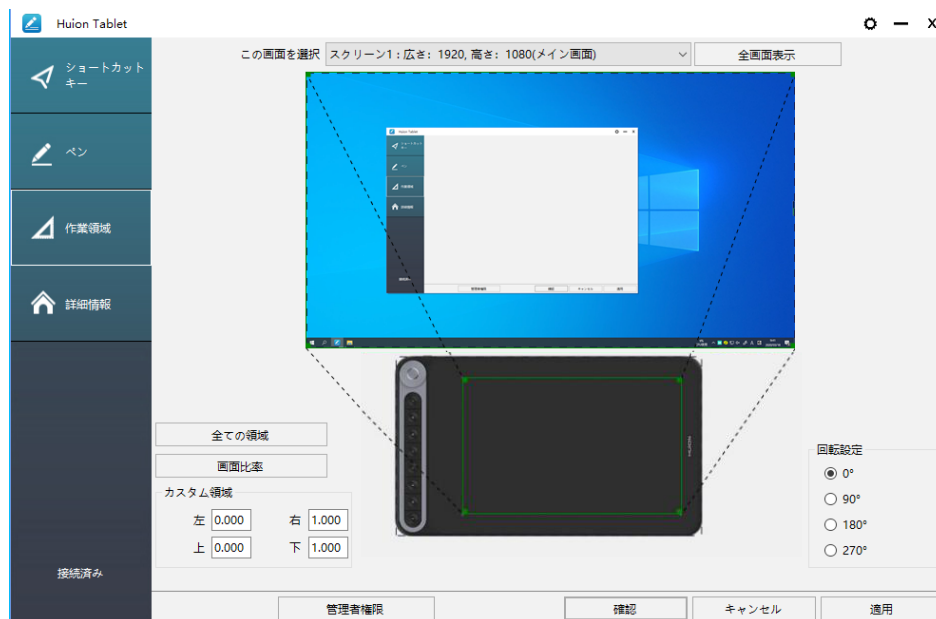
4.1 作業領域の設定

4.1.1 マルチモニター設定

[作業領域] タブを選択し、タブレット上のペンの動きとモニター上のカーソルの動きを調整します。

デフォルトでは、タブレットのアクティブエリア全体がモニター全体に割り当てられています。マルチモニター使用時で拡張モードの場合、連動するモニターを選択する必要があります。

モニターが複製モードの場合（すべてのモニターに同じ映像を表示）、タブレットは各モニターと連動し、カーソルを各モニターに表示します。



4.1.2 作業領域の設定

画面に対する作業領域を定義します。

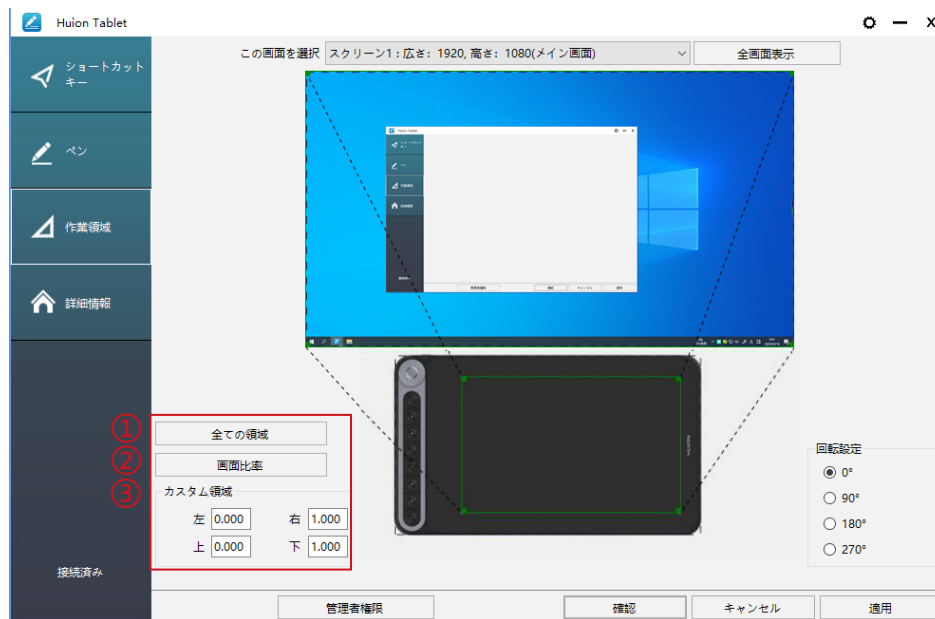
[1] 全ての領域: タブレットのアクティブエリア全体を使用します。デフォルト設定です。

[2] 画面比率: 原則として 16:9 に設定します。

[3] カスタム領域:

1> 座標値を入力します。

2> 枠の角をドラッグして任意の領域に設定します。



4.1.3 作業領域の回転

タブレットの方向を利き手や環境に合わせて変更します。
回転角度を 0°、90°、180°または 270°から選びます。



4.2 ショートカットキー設定

デフォルト設定: カーソルをキーに移動させ選択するか、ショートカットキーを押してデフォルト値に設定します。

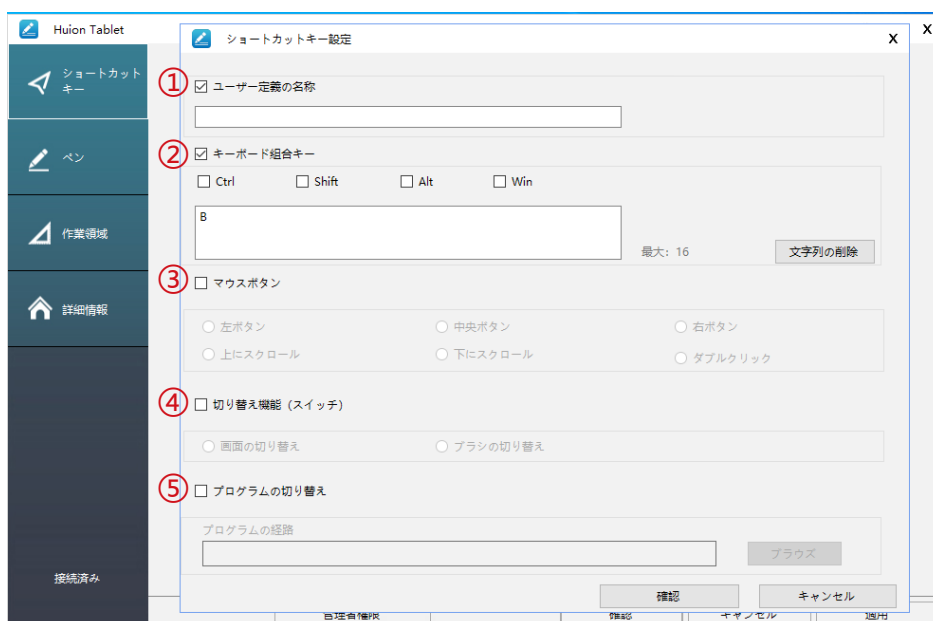
カスタマイズ設定: ポップアップダイアログボックスから使用する機能を選択し [適用] または [確認] をクリックして有効にします。

ショートカットキーを有効/無効にする: 「ショートカットキーを起動」にチェックを入れます。無効にするにはチェックを外します。



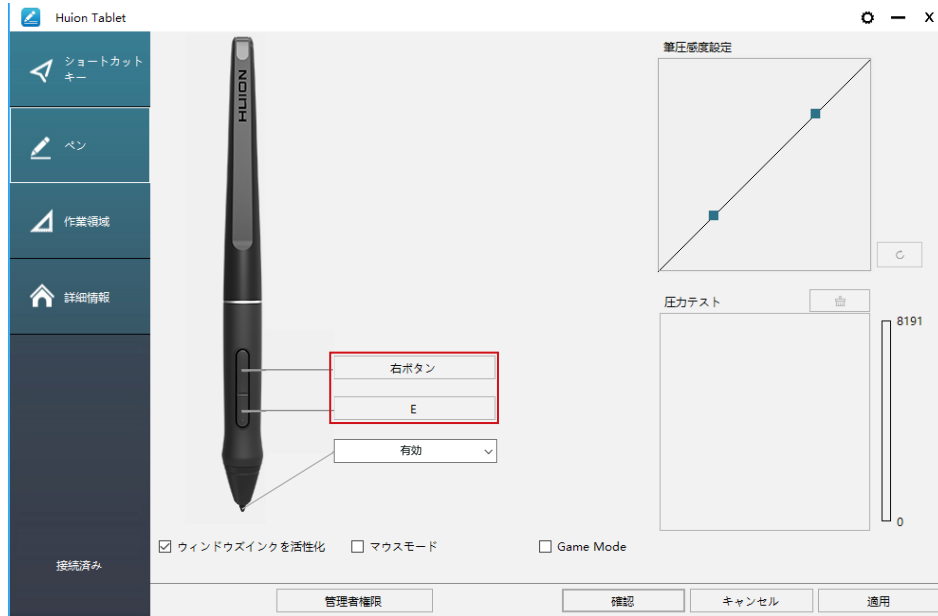
5つの主項目をショートカットキー設定画面から設定します。

- ① ユーザー定義の名称: ユーザー定義のショートカットに名前を付けます。
- ② キーの組み合わせ: Ctrl, Shift, Alt, Win キーと任意のキーを組み合わせで設定します。設定の際は Ctrl, Shift, Alt, Win キーと1つ以上のキーを組み合わせてください。
例: 選択解除 [Ctrl + D]、タスクマネージャー [Ctrl + Alt + Delete] のように入力します。
- ③ マウスボタンの機能: ボックスをチェックを入れ、使いたい機能を選択します。
- ④ 切り替え機能: ボックスにチェックを入れ、使いたい機能を選択します。
- ⑤ プログラム機能を実行します。[参照] をクリックし、接続を選択して、最もよく使用されるプログラムにすばやくアクセスします



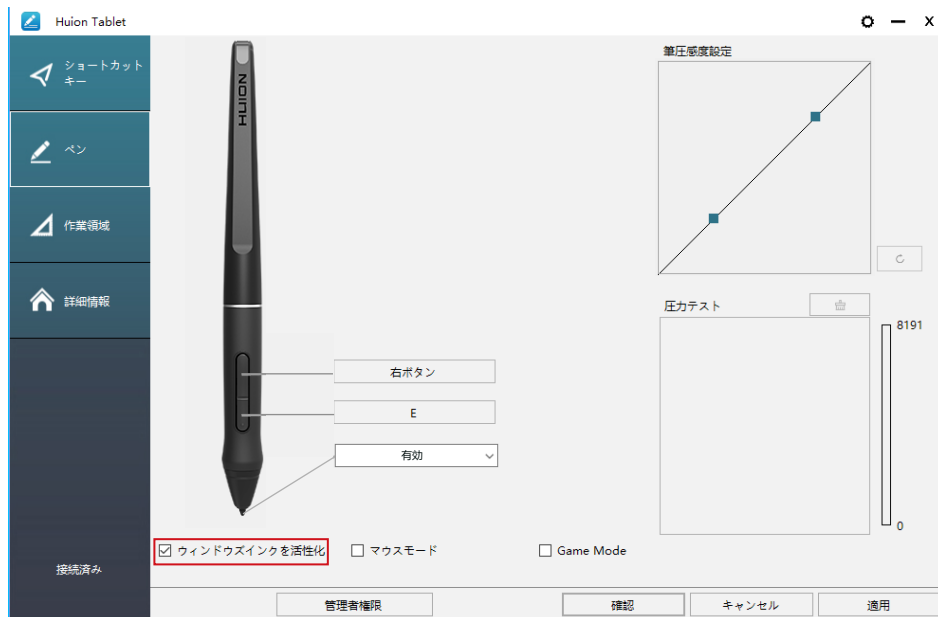
4.3 ペンのサイドボタン設定

ポップアップダイアログボックスから使用する機能を選択し [適用] または [確認] をクリックして有効にします。



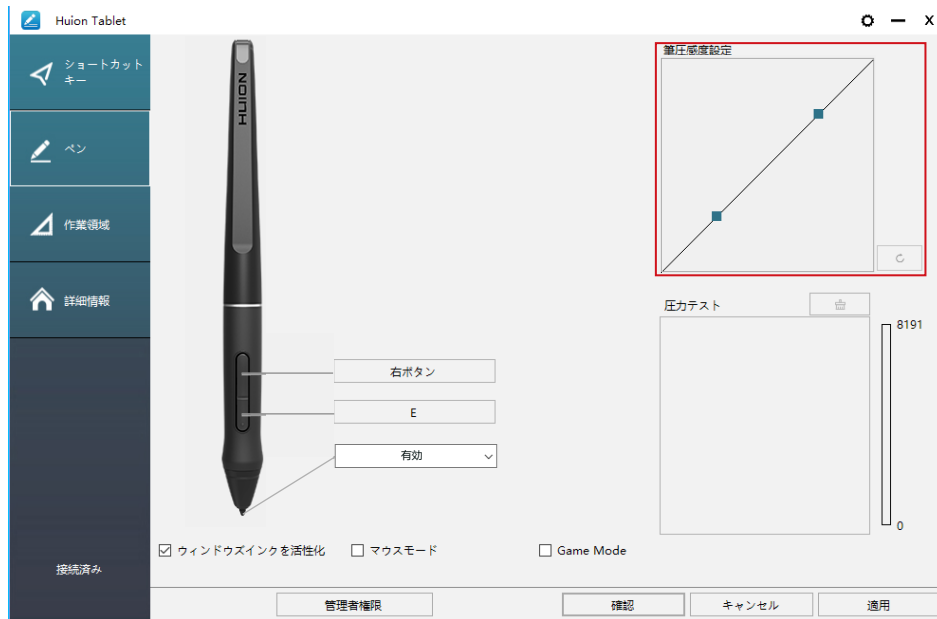
4.4 Windows Ink 機能を有効にする

Microsoft Windows ではペン入力を広くサポートしています。各機能は Microsoft Office、Windows Journal、Adobe Photoshop CC、Sketch Book 6 等に対応しています。



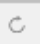
4.5 筆圧感度を設定する

スライダーを上下にドラッグして感度を調整します。値を小さくすると感度が高くなります。感度が高すぎる場合は値を大きくしてください。

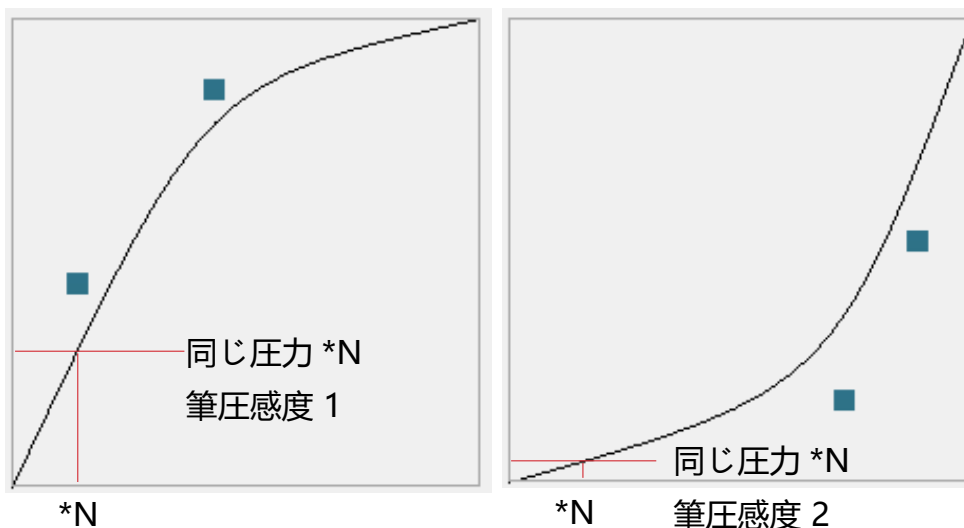


上方向にドラッグ（左）：筆圧の変化が大きくなります。柔らかい線を描くのに向いています。

下方向にドラッグ（右）：筆圧の変化が小さくなります。シャープでな線を描くのに向いています。

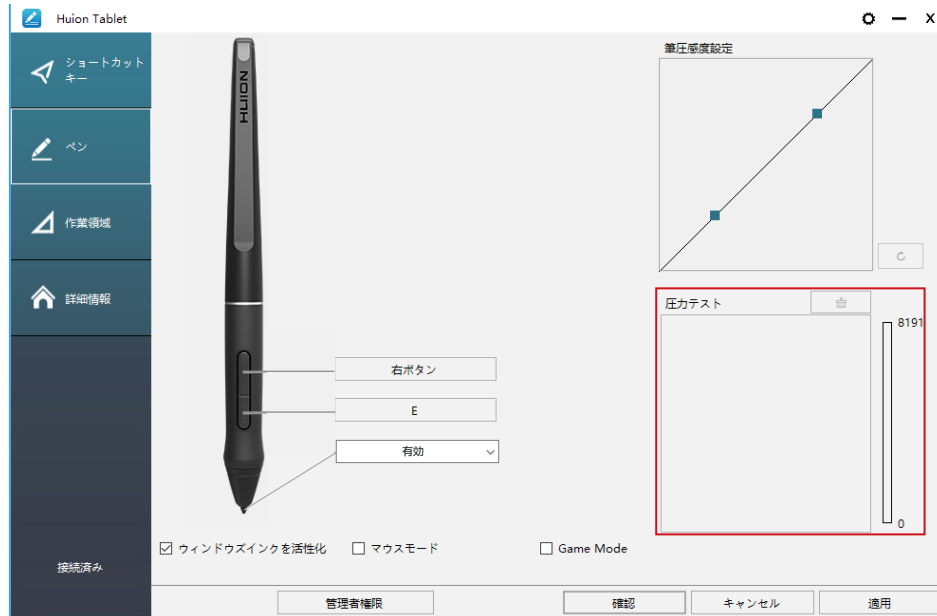
筆圧感度を初期設定に戻すには設定内の  をタップします。

例：同じ圧力を掛けた場合でも、筆圧感度が高めでは変化率が大きくなり（左図）、筆圧感度が低めだと変化率は小さくなっています（右図）。



4.6 筆圧感度のテスト

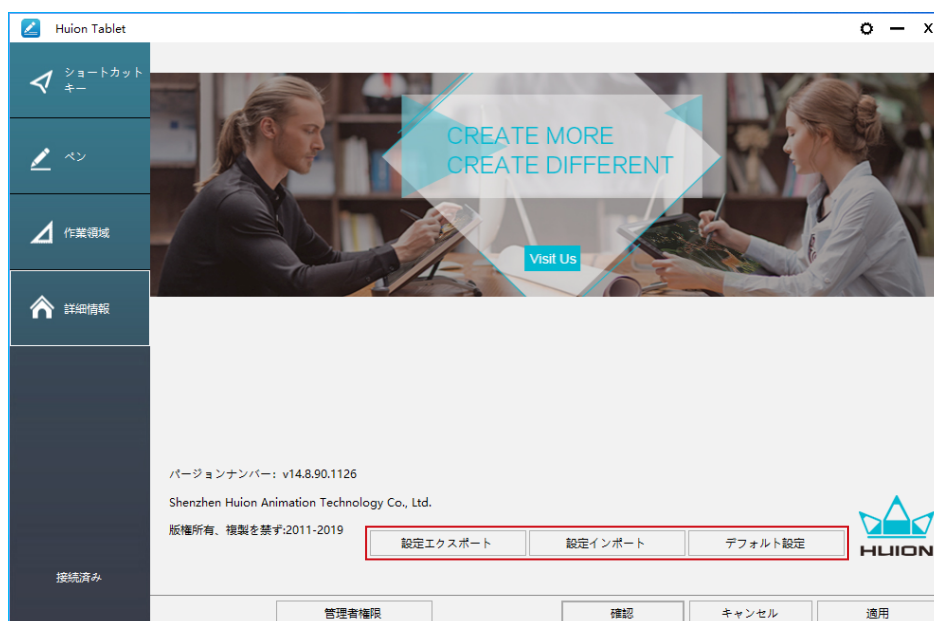
「圧力テストの開始」をクリックし、ペンに圧力を徐々に加えてレベルを確認します。筆跡を消去するには「クリア」をクリックします。



4.7 設定データのインポート / エクスポート

設定したデータのエクスポートとインポートができます。

これは、さまざまなソフトウェアを使用して、繰り返し設定の問題を回避するのに便利です。



5 / 製品の仕様

タブレット	
モデル	Q620M
読取り方式	電磁共鳴
アクティブエリア	Computer: 266.7 x 166.7mm Android: 104.2 x 166.7mm
外形寸法	375.5 x 220.4 x 8mm
質量	666g
読取り解像度	5080LPI
読取り速度	266PPS
読取り高さ	10mm
インターフェース	USB-C
ショートカットキー	8個 (カスタマイズ可) + Dail
対応 OS	Windows 7 以降 macOS 10.12 以降
ペン	
モデル	PW500
外形寸法	163.7 x Φ14.3mm
質量	14g
読取り解像度	8192
精度	±0.3mm

6 / トラブルシューティング

症状	解決方法
カーソルは動くのに筆圧感知が反映されない	他のタブレットドライバーを削除しなかった、またはグラフィックソフトウェアを実行したまま、本機のドライバーをインストールした可能性があります。 すべてのタブレットドライバーを削除し、グラフィックソフトウェアを閉じてからもう一度ドライバーをインストールします。インストール後はコンピューターを再起動してください。
ペンが機能しない	1. 本機に付属していたペンであることを確認してください。 2. ドライバーを正しい順番でインストールしたことを確認してください。
キーを押しても反応がない	1. ドライバーでショートカットキーが有効になっていることを確認してください。 2. キーが正しく定義されていることを確認してください。 3. ロックスイッチが解除位置にあることを確認します。
コンピューターのスリープモードが動作しない	タブレットイを使用していないときは、タブレットイの上にペンを置かないでください。スリープモードの妨げとなります。
ペンのサイドボタンが機能しない	サイドボタンを使用するときは、ペン先がタブレットイに触れておらず、ペン先とタブレットイとの距離を 10mm 以内に保持してください。
ペン先とカーソルがずれています	ペンのキャリブレーションしてみてください

7 / お客様ご相談窓口

SHENZHEN HUION ANIMATION TECHNOLOGY CO., LTD.



+86-755-32998548



www.huion.com



www.facebook.com/huion



service@huion.com



[huion-skype](https://www.skype.com/huion)



<https://twitter.com/HuionTab>

Indice

1 / Precauzioni	75
2 / Panoramica del prodotto.....	76
2.1 Introduzione del Tavoletta.....	76
2.1 Prodotto e Accessori	77
2.2 Connessione del Tavoletta.....	77
2.3 Installazione del Driver	78
3 / Funzionamento base della Penna.....	80
3.1 Come tenere la penna.....	80
3.2 Posizionare il cursore	80
3.3 Cliccare	81
3.4 Spostare	81
3.5 Utilizzare i pulsanti laterali	81
3.6 Sostituzione del pennino	82
4 / Impostazione di Funzione	83
4.1 Impostazione Area di Lavoro.....	83
4.2 Impostazione Funzione dei tasti a pressione	84
4.3 Impostazione funzioni tasti della penna	86
4.4 Abilitare la funzione Windows Ink.....	86
4.5 Impostazione Sensibilità di pressione	87
4.6 Test di pressione della penna	88
4.7 Esportazione e importazione dei dati	88
5 / Specifiche.....	89
6 / Risoluzione dei problem	90
7 / Contatti di Servizio di Assistenza Clienti.....	91

1 / Precauzioni



【Leggere il manuale prima dell'uso, e conservarlo per future consultazioni.】

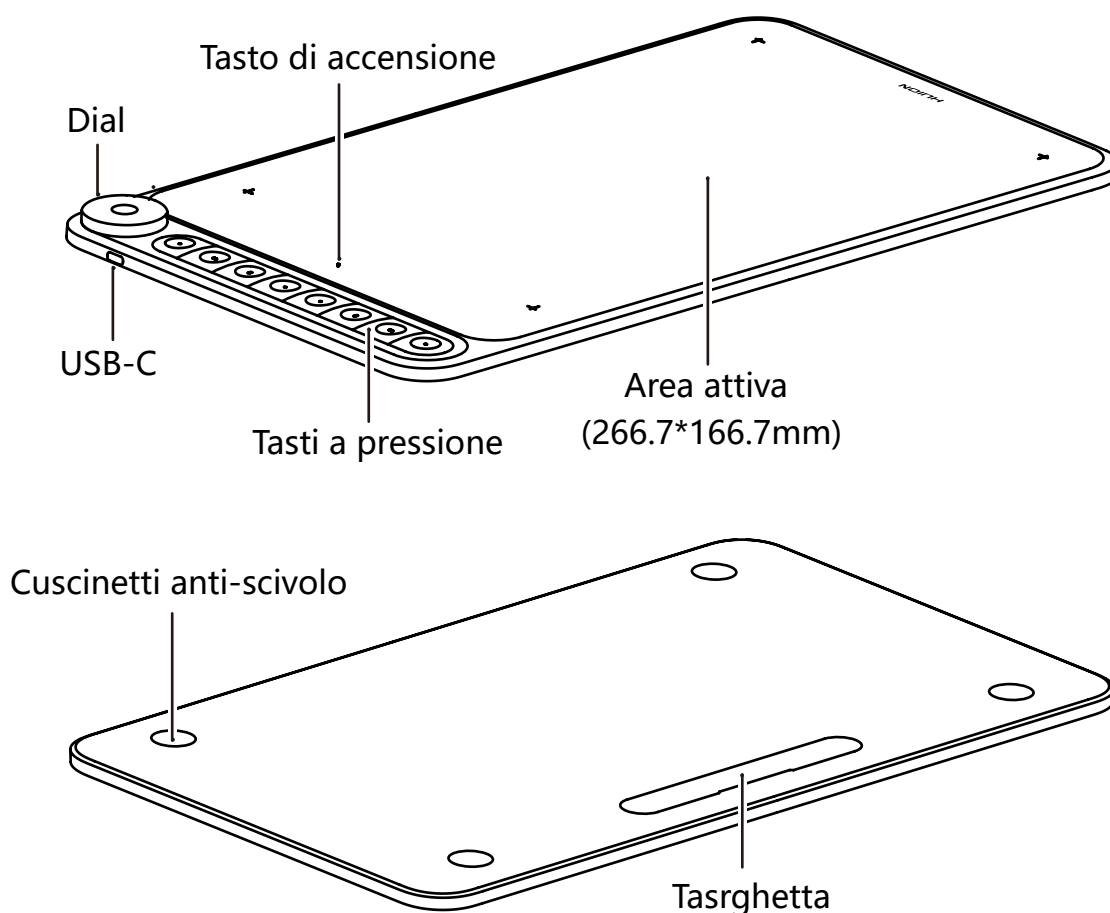
- Prima di pulire il Tavoletta, scollegare il cavo USB e pulire con un panno morbido inumidito, senza utilizzare alcun tipo di detergente.
- Si prega di non posizionare il Tavoletta vicino a fonti d'acqua come vasca da bagno, lavandino, lavandini, lavatrice, cantina umida, piscina, ecc.
- Non posizionare il Tavoletta su punti instabili o troppo alti, per consentire ai bambini di raggiungerlo facilmente ed evitare pericoli.
- Non posizionare il Tavoletta e la penna digitale vicino a campo magnetico.
- Il Tavoletta può utilizzare solo gli alimentatori indicati sulla targhetta. In caso di dubbi sull'alimentatore in uso, consultare il distributore del Tavoletta.
- Accertarsi che nessun corpo estraneo penetri all'interno del monitor attraverso le scanalature e che non venga schizzato del liquido sul Tavoletta per evitare cortocircuiti o incendi.
- Se il Tavoletta presenta un guasto, non aprire la custodia principale per provare a ripararlo da soli. Richiedere un servizio di riparazione e manutenzione adeguato.
- Durante la sostituzione dei componenti, è necessario garantire che il riparatore stia utilizzando i componenti sostitutivi specificati dal produttore. Una sostituzione non autorizzata dei componenti può causare incendi, scosse elettriche o altri pericoli.

2 / Panoramica del Prodotto

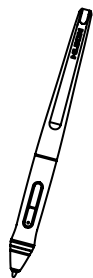
2.1 Introduzione del Tavolettta

Grazie per aver scelto il Tavolettta creativo HUIION® INSPIROY® Dail Q620M. Questa è una nuova generazione di desktop portatile - Tavolettta per il disegno di livello professionale, che può migliorare notevolmente l'efficienza del lavoro di pittura e creazione in modo divertente. Puoi dipingere e scrivere liberamente, tracciando linee di colori diversi, proprio come la penna scrive sul foglio, per un'esperienza davvero sconvolgente.

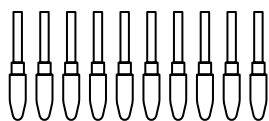
Per una migliore comprensione e utilizzo del Tavolettta, leggere attentamente questo manuale d'uso. Il manuale d'uso riporta le informazioni per Windows e, se non diversamente specificato, queste informazioni si applicano sia ai sistemi Windows che a quelli Macintosh.



2.2 Contenuto della confezione



Digitale



Pennini sostitutivi
(dentro il porta penna)



Portapenna



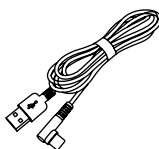
Ricevitore Wireless



Clip del pennino
(dentro il porta penna)



Panno detergente



Cavo USB



Guida di Avvio rapido



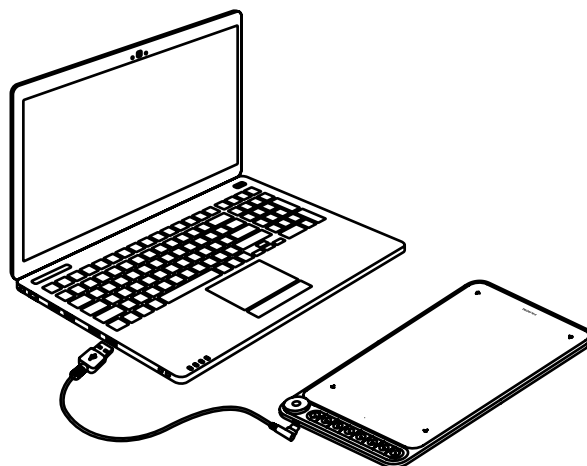
Scheda di garanzia

2.3 Connessione del Tavoletta

2.3.1 Conexión al ordenador

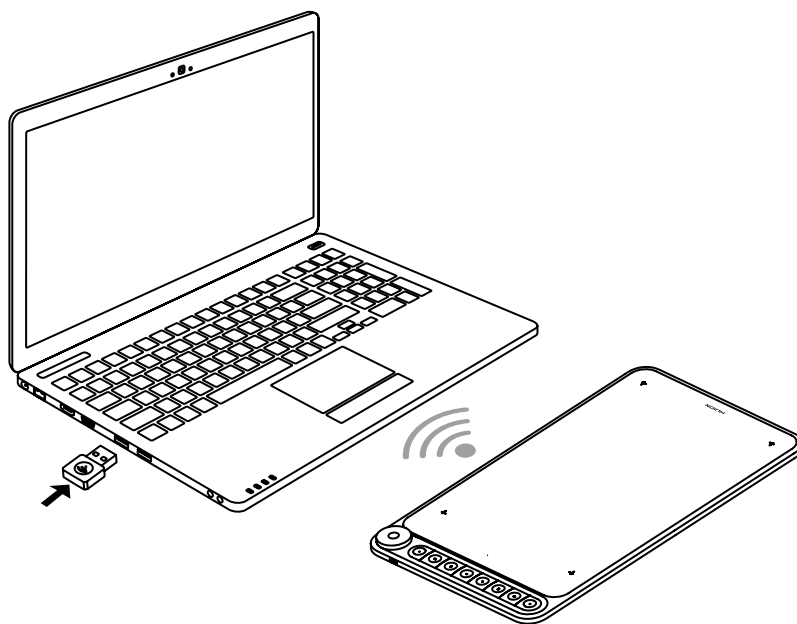
[1] Estrarre il cavo USB dalla confezione, quindi collegare la tavoletta al proprio computer.

[2] Non utilizzare il tasto di accensione quando si utilizza la modalità di accesso tramite cavo.



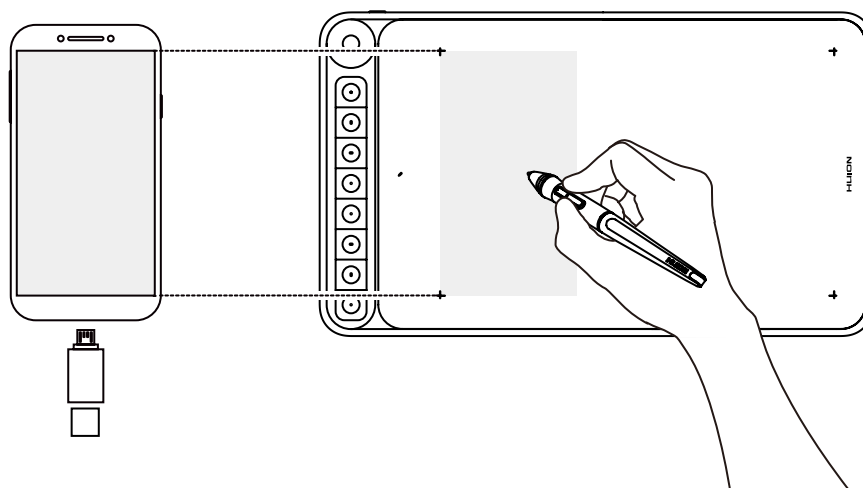
Modalità Wireless

- [1] Collegare il ricevitore wireless al computer.
- [2] Premere il pulsante di accensione per accendere la tavoletta.
- [3] Quando non viene utilizzata per 15 minuti, la tavoletta entra in modalità di sospensione. In questo caso è necessario premere nuovamente il pulsante di accensione per attivare la tavoletta.



2.3.2 Connessione al telefono/tablet Android

- [1] Si prega di utilizzare telefono / tablet Android in modalità verticale.
- [2] Assicurati che il tuo sistema operativo del telefono/tablet è la seguente: Android OS 6.0 o versioni successive
- [3] Per alcuni modelli, è necessario andare su "Impostazioni" telefono quindi attivare la funzione "OTG".
- [4] Scegliere l'adattatore OTG direttamente dal pacchetto, che dipende dal tipo di porta USB del telefono, inserire il ricevitore wireless nell'adattatore OTG, quindi inserire l'adattatore OTG nell'interfaccia del telefono cellulare. A questo punto, accendere l'interruttore del tablet per comunicare con il telefono cellulare tramite 2.4G wireless.



! Gli appunti:

- [1] Il telefono si ricarica al contrario la tavoletta quando sono collegati via cavo e scarica rapidamente la batteria del telefono, quindi può essere utilizzato solo collegandosi senza fili al telefono.
- [2] La tavoletta grafica può funzionare senza installare alcun driver nel telefono/tablet.
- [3] Una volta connesso, il tablet entrerà automaticamente in modalità telefono, in cui la penna può funzionare solo nell'area grigia(166.7 x 104.2mm) a sinistra.
- [4] I pulsanti della penna e i tasti di stampa non sono supportati in modalità telefono.



2.4 Installazione del Driver

2.4.1 Supporto OS

Windows 7 o successivo, mac OS 10.12 o successivo

2.4.2 Install Driver

Si prega di scaricare il driver dal nostro sito Web: www.huion.com/it/download

Al termine dell'installazione, è possibile trovare l'icona del driver "  " nell'area grigia del sistema, il che significa che il driver è stato installato correttamente; quando si collega lo schermo al computer, l'icona diventa "  ", il che significa che il driver ha riconosciuto il Tavoleta e ora si può iniziare a usarlo ora.

**Note:**

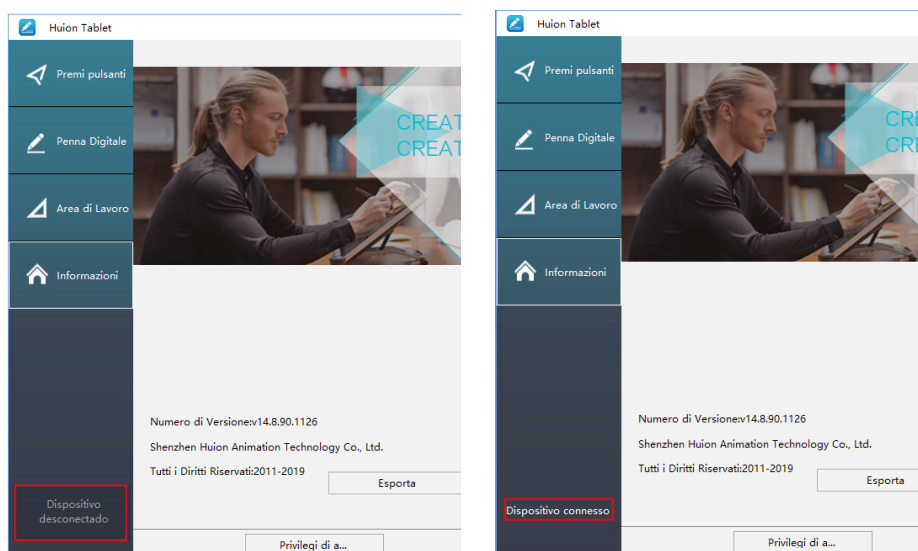
[1] Prima dell'installazione, è necessario disinstallare i driver di altri prodotti simili, incluso il vecchio driver di questo prodotto.

[2] Prima dell'installazione, chiudere tutti i software di grafica e i software antivirus per evitare segnalazioni di errore.

2.4.3 Pagina del Driver

Al termine del download, fare doppio clic per aprire il driver, collegare lo schermo al computer e tramite cavo.

A connessione completata, cercare un messaggio in basso a sinistra nella pagina del driver che mostra due stati: "Dispositivo disconnesso" o "Dispositivo connesso".



3 / Funzionamento base della Penna

3.1 Come tenere la penna

Tenere la penna come si tiene una normale penna o matita. Regola la presa in modo da poter attivare facilmente l'interruttore laterale con il pollice o l'indice. Fare attenzione a non premere accidentalmente l'interruttore durante il disegno o il posizionamento con la penna.

Avvertenza:

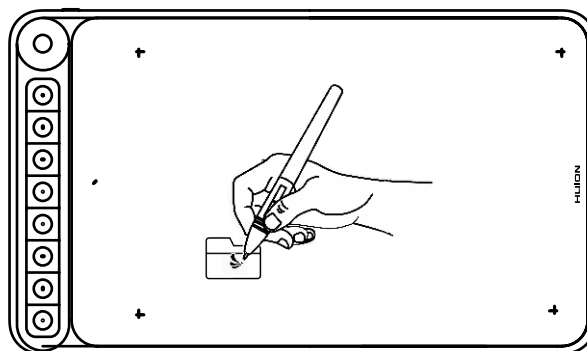
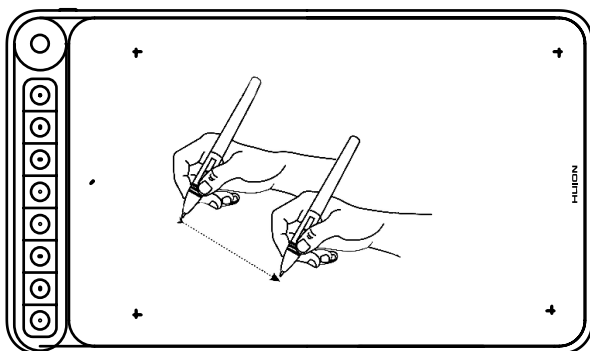
Quando non la si usa, posizionare la penna nella custodia o sulla scrivania. Non posizionare la penna sulla superficie dello schermo, perché potrebbe interferire con il posizionamento del cursore dello schermo e, inoltre, il computer potrebbe non essere in modalità sospensione.



3.2 Posizionare il cursore

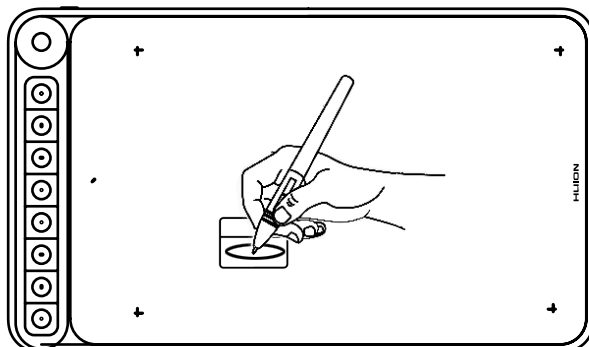
Spostare la penna leggermente sopra l'area attiva senza toccare la superficie dello schermo, il cursore si sposterà di conseguenza nella nuova posizione.

Premere la punta della penna sullo schermo per effettuare una selezione. Toccare lo schermo una volta con la punta della penna o toccare sullo schermo con una pressione sufficiente per registrare un clic.



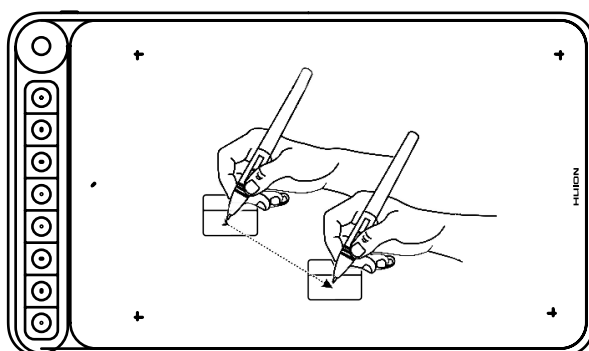
3.3 Cliccare

Utilizzare la punta della penna e toccare una volta lo schermo per registrare un clic. Toccare per evidenziare o selezionare un elemento sullo schermo e fare doppio clic per aprirlo.



3.4 Spostare

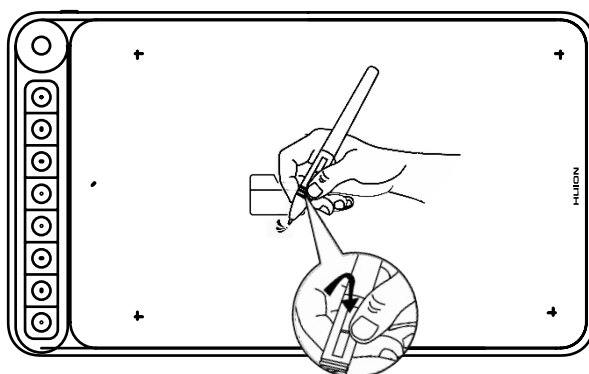
Selezionare l'oggetto, quindi fare scorrere la punta della penna sullo schermo per spostarlo.



3.5 Utilizzare i pulsanti laterali

I pulsanti sulla penna possono essere impostati su due diverse funzioni personalizzabili. È possibile utilizzare i pulsanti ogni volta che la punta della penna si trova entro 10 mm dall'area attiva del Tavoletta.

Non è necessario poggiare la punta della penna sul Tavoletta per utilizzare l'interruttore.



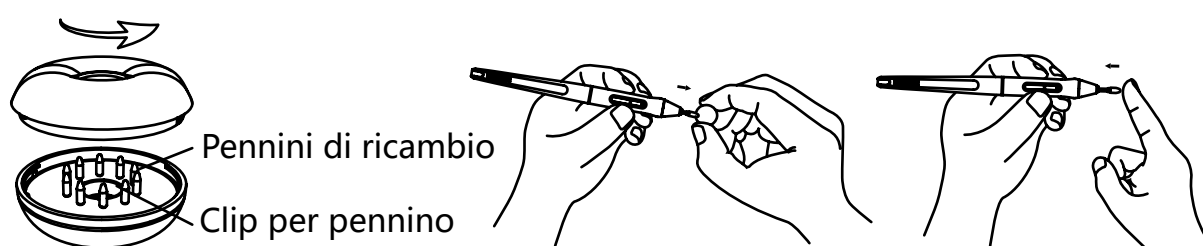
3.6 Sostituzione del pennino

Il pennino si consuma dopo un lungo utilizzo, quindi è necessario sostituire un nuovo pennino.

[1] Ruotare in senso antiorario il portapenne per aprire il coperchio, estrarre un nuovo pennino.

[2] Inserire il pennino nel foro nella parte inferiore del supporto e inclinare la penna per estrarre il pennino vecchio.

[3] Inserire il nuovo pennino direttamente nella penna e spingere il pennino lentamente e con fermezza fino a quando si blocca.



4 / Impostazione di Funzione

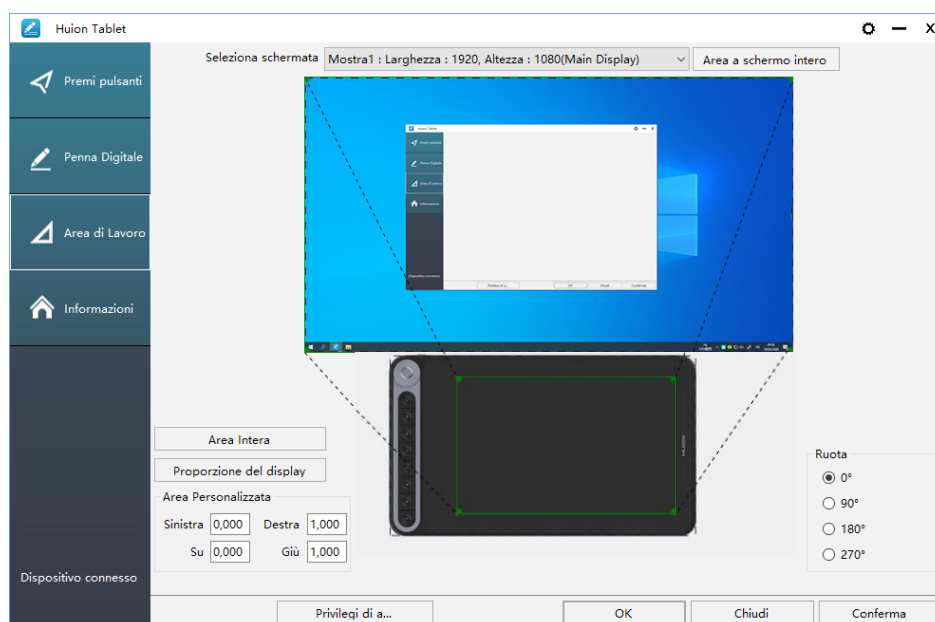
4.1 Impostazione Area di Lavoro

4.1.1 Utilizzo di Monitor multipli

Selezionare la scheda Area di lavoro per definire la relazione tra il movimento della penna sul Tavoletta e il movimento del cursore sullo schermo del monitor.

Per impostazione predefinita, l'intera area attiva della visualizzazione viene mappata sull'intero monitor. Se si sta utilizzando più di un monitor e si è in modalità estesa, è necessario scegliere il relativo monitor sull'interfaccia del driver su cui si desidera mappare.

Se i monitor sono in modalità mirror (tutti i monitor visualizzano lo stesso contenuto), la visualizzazione viene mappata nell'intero spazio di ciascun monitor e il cursore viene visualizzato contemporaneamente su ogni monitor.



4.1.2 Impostazione dell'Area di Lavoro

Definire l'area di visualizzazione che verrà mappata sull'area dello schermo.

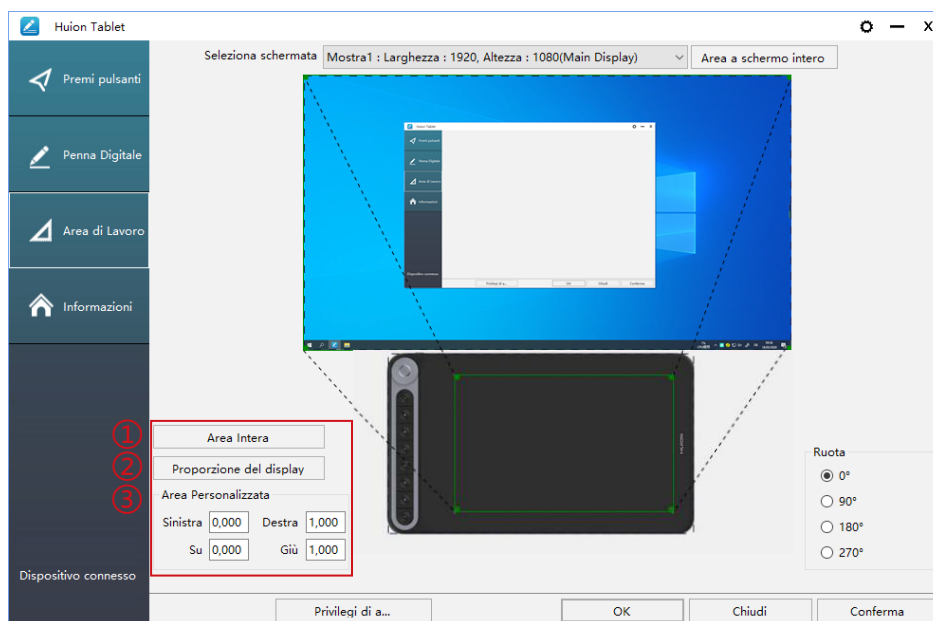
[1] Area intera: l'intera area attiva del Tavoletta. Questa è l'impostazione predefinita.

[2] Rapporto schermo: in genere, 16: 9.

[3] Area personalizzata:

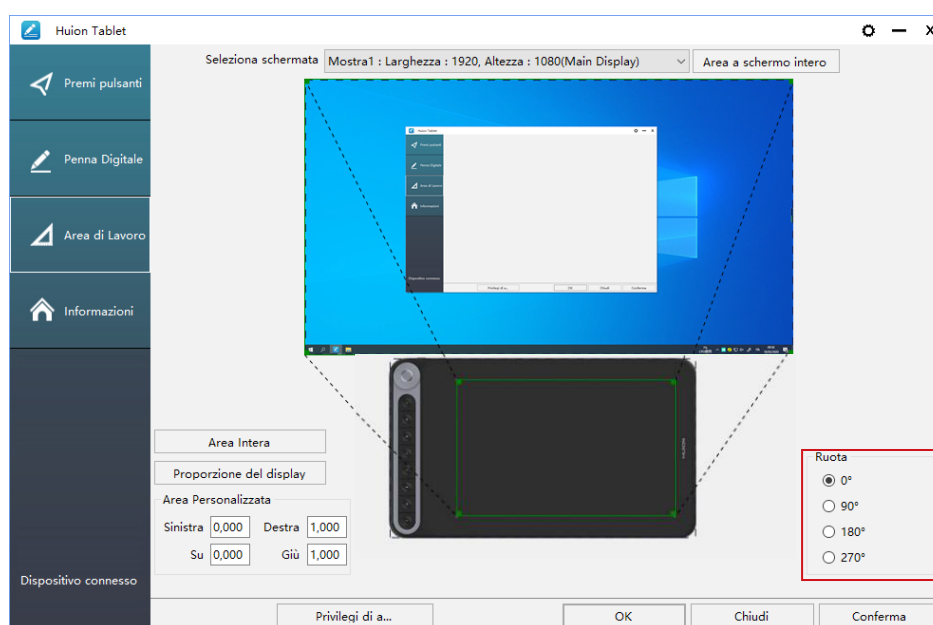
1 > Immettere i valori delle coordinate.

2 > Trascinare gli angoli del grafico in primo piano per selezionare l'area dello schermo.



4.1.3 Ruotare l'Area di Lavoro

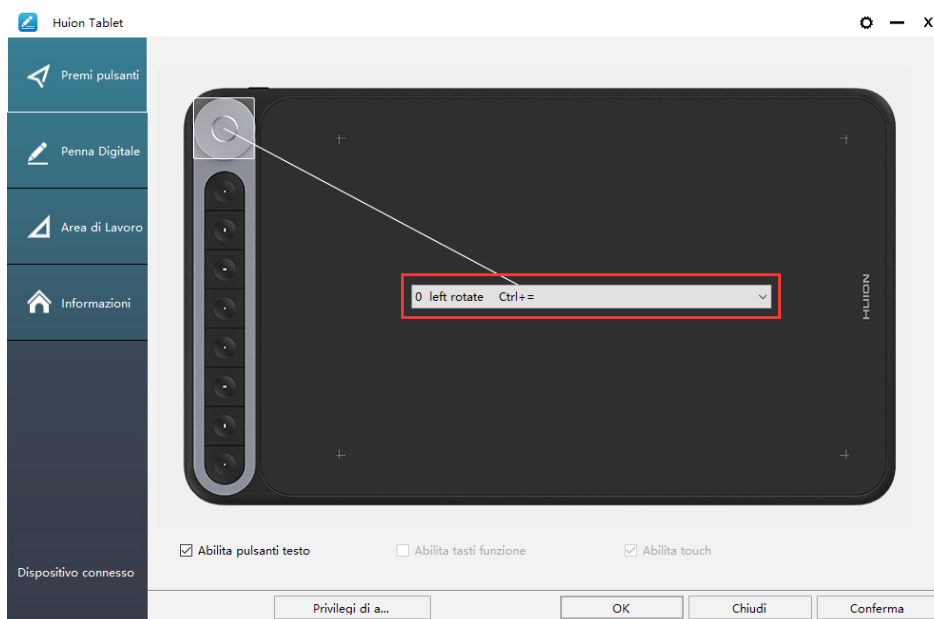
Modificando la direzione del Tavoleta per adattarsi all'operazione a sinistra e a destra. È possibile ruotare il Tavoleta di 0° ,90° ,180° o 270°



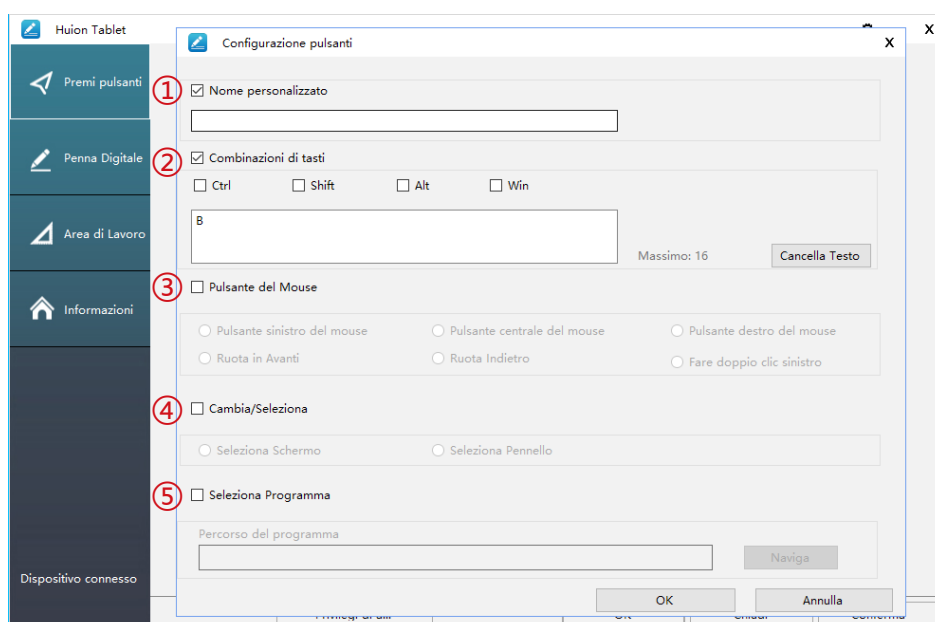
4.2 Impostazione Funzione dei tasti a pressione

Impostazioni di default: Posizionare il cursore sul tasto a pressione o fare clic sul tasto a pressione per trovare i valori predefiniti.

Impostazioni personalizzate: Selezionare la funzione da eseguire nella finestra di dialogo a comparsa, quindi fare clic su "Conferma" o "OK" per renderla effettiva.

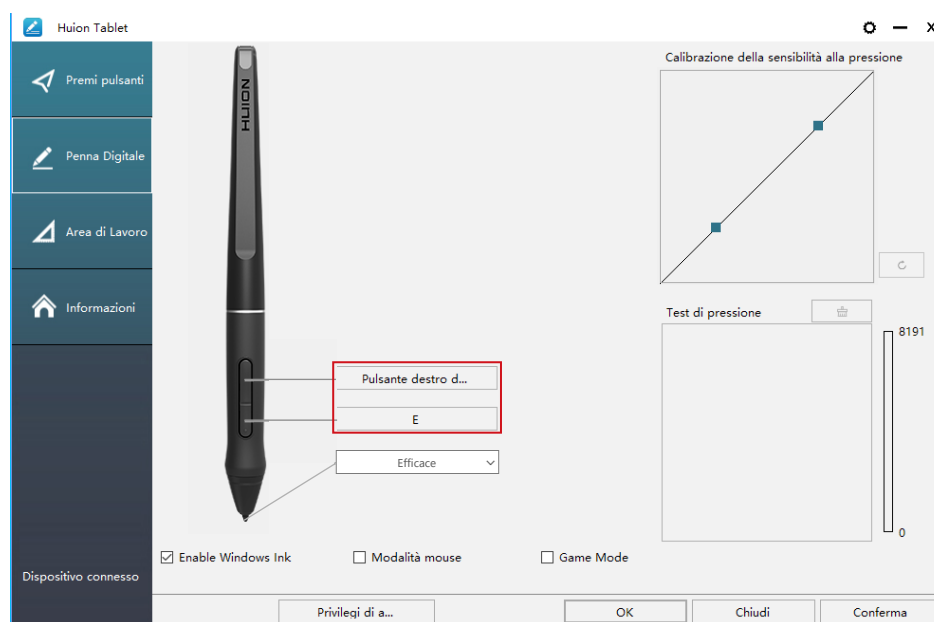


- ① Personalizzata: in base all'uso di termini personalizzati o professionali da impostare.
- ② Funzione combinazione di tasti: Tasti: Ctrl, Maiusc, Alt, Win + qualsiasi lettera o altro. Ctrl, Maiusc, Alt, Win, è possibile selezionarne uno o più e disporli in qualsiasi combinazione. Immettere le impostazioni corrispondenti nella casella di input. Ad esempio: deselezionare - Ctrl + D, accedere a task manager -Ctrl + Alt + Canc, ecc.
- ③ Funzioni del mouse: fare clic sulla casella, selezionare la funzione richiesta.
- ④ Cambiare funzione: fare clic sulla casella, selezionare la funzione richiesta.
- ⑤ Eseguire la funzione del programma: fare clic su Sfoglia, selezionare la connessione per creare un accesso rapido al programma in esecuzione.



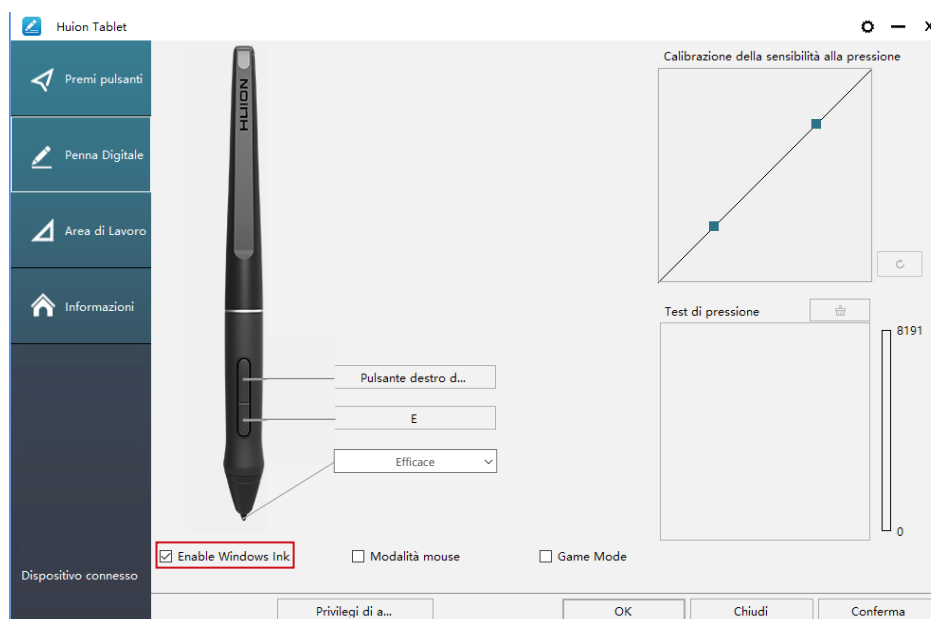
4.3 Impostazione funzioni tasti della penna

Selezionare la funzione da eseguire nella finestra di dialogo a comparsa, quindi fare clic su "Conferma" o "OK" per renderla effettiva.



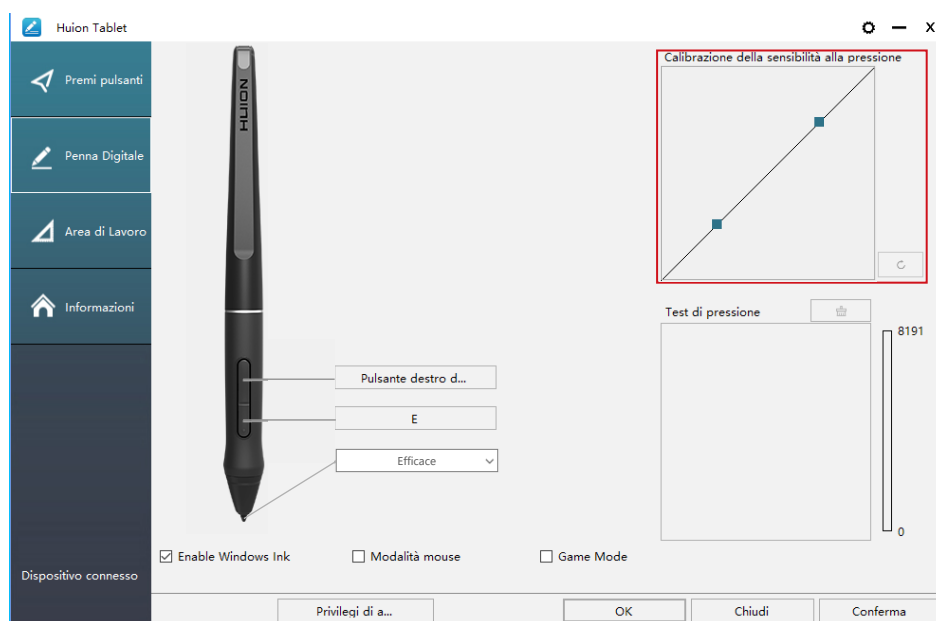
4.4 Abilitare la funzione Windows Ink

Microsoft Windows offre un ampio supporto per l'input penna. Le funzionalità della penna sono supportate in Microsoft Office, Windows Journal, Adobe Photoshop CC, Sketch Book 6 e così via.



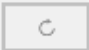
4.5 Impostazione Sensibilità di pressione

La sensibilità alla pressione può essere modificata trascinando il cursore su e giù: più piccolo è il valore, più sensibile alla pressione.

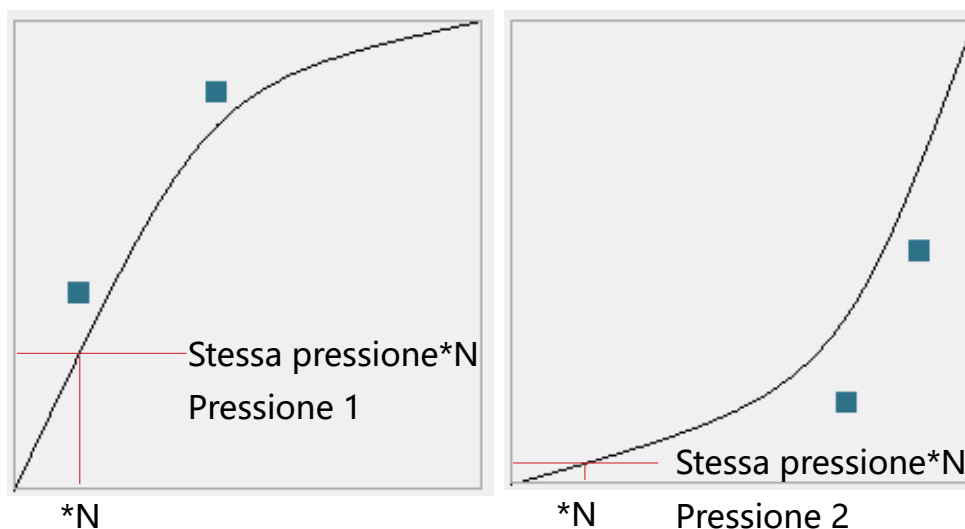


Trascinare verso l'alto (a sinistra): il cambiamento di pressione è più evidente, una piccola pressione produce una grande pressione.


Trascinare verso il basso (a destra): il cambiamento di pressione è debole, molta pressione produce meno pressione.

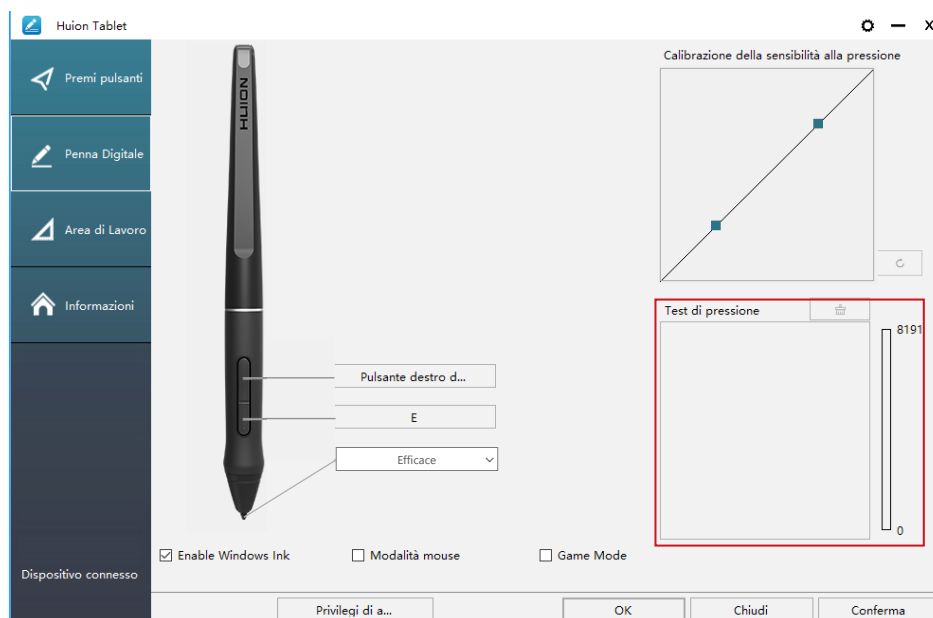
Cliccare il pulsante  in basso a destra nella casella delle impostazioni per ripristinare la sensibilità della pressione allo stato predefinito.

Per esempio: applicare *N rispettivamente la stessa pressione, con un coefficiente di pressione diverso, produce un effetto di pressione diverso. In base alla propria abitudine di mantenere la posizione della penna e la dimensione della mano per la pressione appropriata.



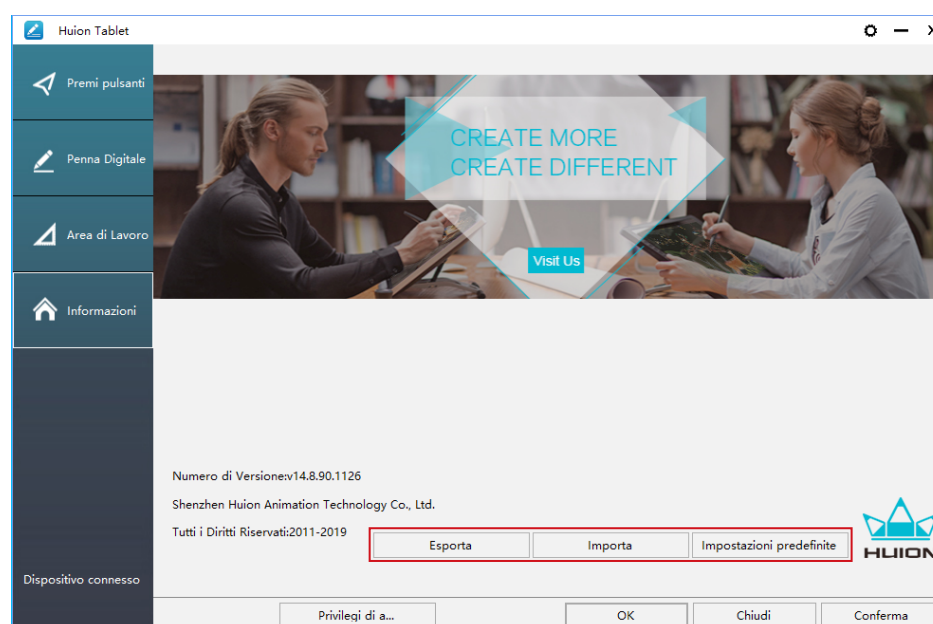
4.6 Test di pressione della penna

è possibile applicare gradualmente la pressione allo stilo sullo schermo per testare il livello di pressione. Fare clic sul pulsante "  " per cancellare tutto l'inchiostro.



4.7 Esportazione e importazione dei dati

Il driver supporta la funzione di esportazione e importazione dei dati personalizzati di configurazione del prodotto, vantaggiosa per utilizzare software diversi evitando di dover ripetere la configurazione delle impostazioni.



5 / Specifiche

Tavoletta	
Modello	Q620M
Tipo di tocco	Passive Electromagnetic Resonance
Area attiva	Computer: 266.7 x 166.7mm Android: 104.2 x 166.7mm
Dimensioni	375.5 x 220.4 x 8mm
Peso netto	666g
Risoluzione	5080LPI
Rapporto	266PPS
Altezza di sensore	10mm
Interfaccia	USB-C
Tasto a pressione	8 tasti a pressione personalizzati +Dail
Supporto OS	Windows 7 o successivo, mac OS 10.12 o successivo
Penna	
Modello	PW500
Dimensioni	163.7 x Φ 14.3mm
Peso netto	14g
Livello di pressione	8192
Accuratezza	\pm 0.3mm

6 / Risoluzione dei problem

Fenomeni anomali	Possibili Soluzioni
Non c'è pressione nel software grafico ma il cursore si sposta	È possibile che siano stati installati altri driver dello schermo o che sia stato aperto il software di disegno durante l'installazione del driver. Disinstallare tutti i driver e chiudere il software di disegno, quindi reinstallare il driver. È meglio riavviare il computer dopo aver terminato l'installazione.
La penna non funziona	<ol style="list-style-type: none"> 1. Assicurati di utilizzare la penna originariamente fornita con il Tavolettta. 2. Assicurarsi di aver installato il driver correttamente.
I tasti a pressione non funzionano	<ol style="list-style-type: none"> 1. Make sure the Press Keys function were enabled in the driver. 2. Make sure you have correctly defined the Press Keys. Check if the press lock switch is on the unlock position.
Il computer non è in grado di accedere alla funzione di sospensione	Quando non si utilizza il Tavolettta, non posizionare la penna sulla superficie del Tavolettta, in quanto ciò tiene il computer sveglio.
Il pulsante laterale della penna non funziona	Assicurarsi che la porta USB sia funzionante, in caso contrario, passare a un'altra porta USB.
Il computer non è in grado di riconoscere il Tavolettta	erificare che la porta USB sia normale. In caso di problemi, utilizzare un'altra porta USB.

7/ Contatti di Servizio di Assistenza

SHENZHEN HUION ANIMATION TECHNOLOGY CO., LTD.

-  +86-755-32998548
-  www.huion.com
-  www.facebook.com/huion
-  service@huion.com
-  [huion-skype](https://www.skype.com/huion)
-  <https://twitter.com/HuionTab>

Contenido

1 / Precauciones.....	93
2 / Descripción del Producto	94
2.1 Intoducción sobre la Tableta	94
2.2 Producto y accesorios.....	95
2.3 Conexión de la Tableta	95
2.4 Instalación de los Controladores.....	96
3 / Operaciones Básicas con el Lápiz	98
3.1 Agarrar el lápiz	98
3.2 Posición del cursor.....	98
3.3 Click.....	99
3.4 Movimiento	99
3.5 Uso de los botones Laterales	99
3.6 Cambiar la Punta del Lápiz.....	100
4 / Configuración de Funciones.....	101
4.1 Configuración del Área de Trabajo.....	101
4.2 Configuración de las Teclas Presionables	102
4.3 Configuración de los botones del lápiz.....	104
4.4 Habilitar la función de Windows Ink.....	104
4.5 Ajuste de sensibilidad de presión.....	105
4.6 Prueba de presión del lápiz	106
4.7 Exportación e importación de datos	106
5 / Especificaciones	107
6 / Solución de problemas	108
7 / Contacto después del servicio	109

1 / Precauciones



【Lea atentamente este manual antes de usarlo y consérvelo para futuras consultas.】

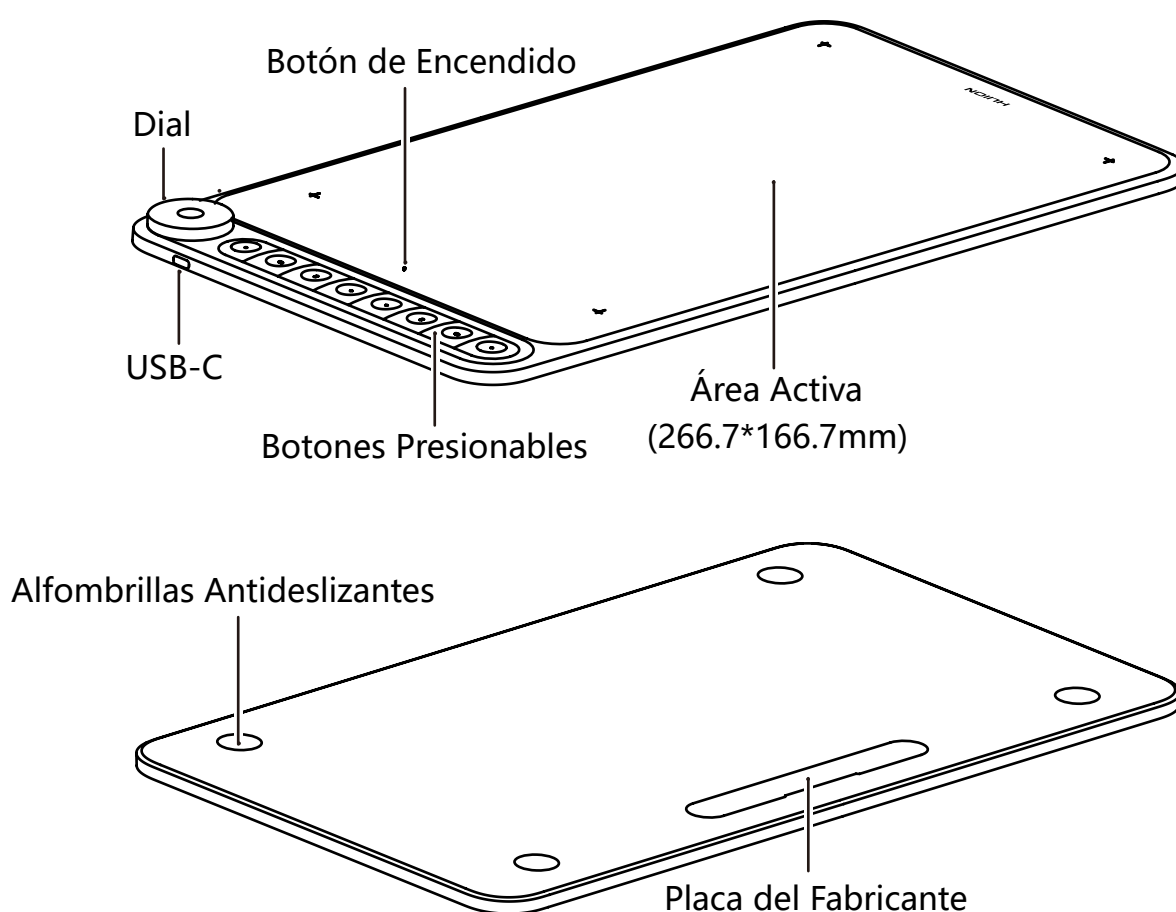
- Prima di pulire il display, scollegare il cavo USB e pulire con un panno morbido inumidito, senza utilizzare alcun tipo di detergente.
- Si prega di non posizionare il display vicino a fonti d'acqua come vasca da bagno, lavandino, lavandini, lavatrice, cantina umida, piscina, ecc.
- Non posizionare il display su punti instabili o troppo alti, per consentire ai bambini di raggiungerlo facilmente ed evitare pericoli.
- Non posizionare il display e la penna digitale vicino a campo magnetico.
- Le scanalature e i fori sulla custodia posteriore sono progettati per la ventilazione per evitare il surriscaldamento del monitor. Si prega di non posizionare il display su letti, divani, tappeti o incorporato in un dispositivo.
- Il display può utilizzare solo gli alimentatori indicati sulla targhetta. In caso di dubbi sull'alimentatore in uso, consultare il distributore del display.
- Per proteggere il display, si prega di spegnere l'alimentazione quando non è in uso. In caso di blackout o mancato utilizzo per un lungo periodo, scollegare il display dalla presa.
- Accertarsi che nessun corpo estraneo penetri all'interno del monitor attraverso le scanalature e che non venga schizzato del liquido sul display per evitare cortocircuiti o incendi.
- Se il display presenta un guasto, non aprire la custodia principale per provare a ripararlo da soli. Richiedere un servizio di riparazione e manutenzione adeguato.
- Durante la sostituzione dei componenti, è necessario garantire che il riparatore stia utilizzando i componenti sostitutivi specificati dal produttore. Una sostituzione non autorizzata dei componenti può causare incendi, scosse elettriche o altri pericoli.

2 / Descripción del Producto

2.1 Introducción sobre la Tableta

Gracias por elegir la tableta gráfica HUIION® INSPIROY® Dail Q620M. Esta es una nueva generación de tabletas de dibujo profesional portátiles al mismo nivel que las tabletas de escritorio, y que puede mejorar enormemente la eficiencia de su trabajo de pintura y creación, así como también llenarlo de diversión. Puede pintar y escribir libremente, representando diferentes líneas y colores, tal y como el bolígrafo escribe en el papel, por lo que proporciona una experiencia de shock real.

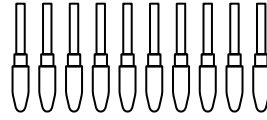
Para tener una mejor comprensión acerca del uso de su Tableta, es conveniente leer detenidamente este manual del usuario. El manual del usuario solo muestra la información para Windows. A menos que se encuentre especificado lo contrario, esta información se aplica a ambos sistemas, Windows y Macintosh.



2.2 Contenido del paquete



Digital



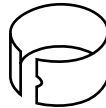
Puntas de Recambio
(Dentro del soporte del lápiz)



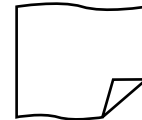
Soporte



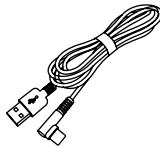
receptor inalámbrico



Clip de Puntas del Lápiz
(Dentro del soporte del lápiz)



Paño para



Cable USB



Guia de Inicio Rápido



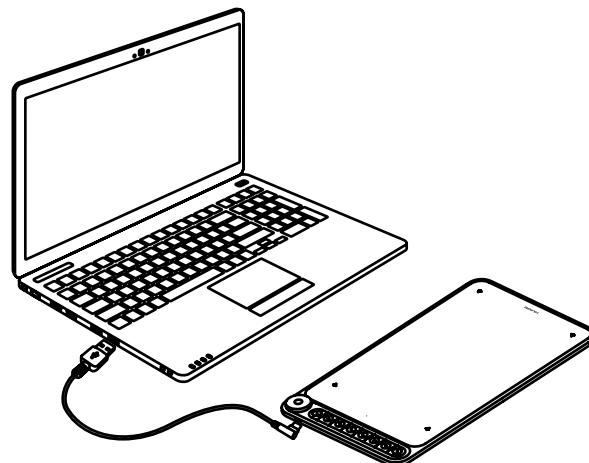
tarjeta de garantía

2.3 Conexión de la Tableta

2.3.1 Conexión al ordenador

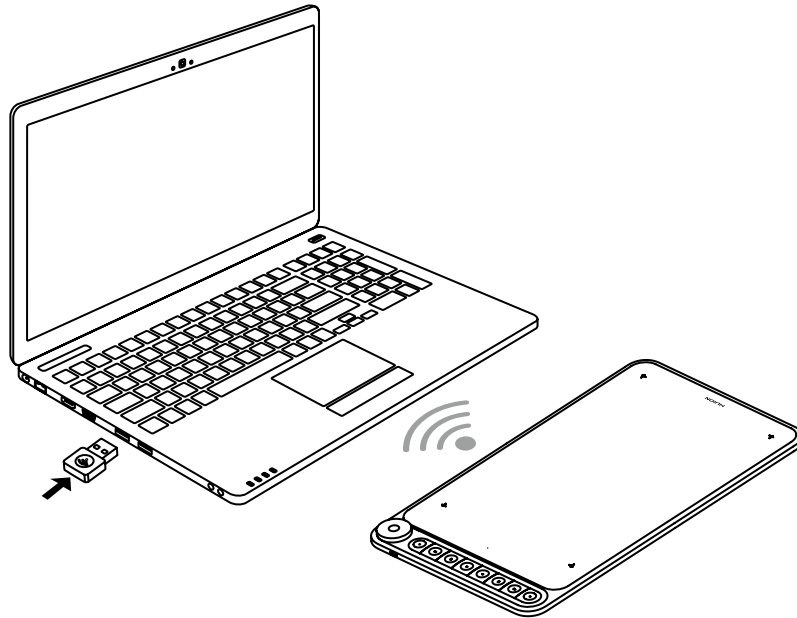
Conecte la tableta al ordenador con un cable USB:

- [1] Saque el cable Usb del paquete y, a continuación, conecte la tableta al ordenador.
- [2] Abra la interfaz del controlador, la esquina inferior muestra el dispositivo conectado, lo que indica que la tableta está conectada correctamente al ordenador. Puede empezar a usar la tableta.



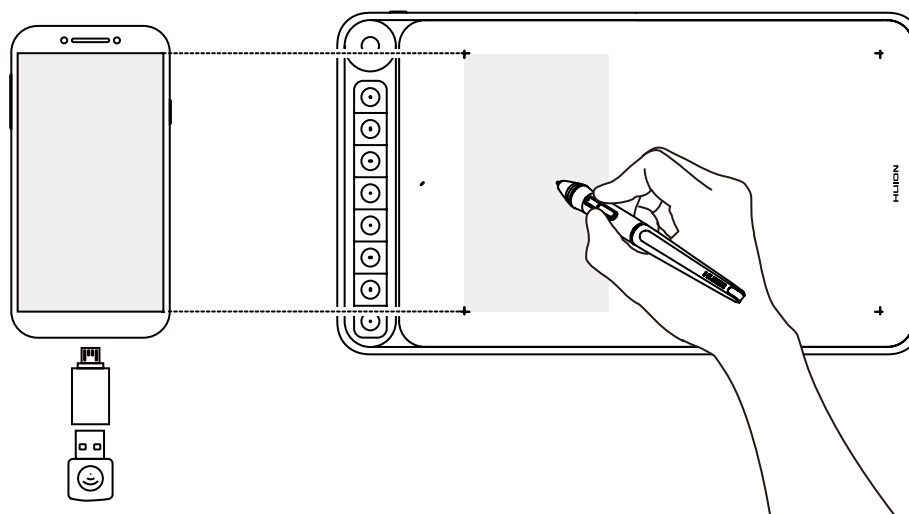
Modo inalámbrico

- [1] Inserte el receptor inalámbrico en el ordenador.
- [2] Pulse el botón de encendido para encender la tableta.
- [3] Si no se utiliza durante 15 minutos, la tableta entrará en el modo de reposo.
En este caso, debe volver a pulsar el botón de encendido para activar la tableta.



2.3.2 Para conectar tableta con los teléfonos y tablets de Android

- [1] Por favor utilice el modo retrato en su teléfono y tableta de Android.
- [2] Segúrese de que el sistema operativo de su teléfono/tableta sea al siguiente:
Sistema operativo Android 6.0 o posterior.
- [3] Para algunos modelos, debe ir a "Configuración" del teléfono/tableta y luego habilitar la función "OTG".
- [4] Elija el correcto adaptador OTG del paquete, que depende del tipo de puerto de USB de tu teléfono/tableta, inserte el receptor inalámbrico en el adaptador OTG y luego inserte el adaptador OTG en la interfaz del teléfono. Al mismo tiempo, enciende el interruptor de la tableta para comunicarse con el teléfono móvil a través de la conexión inalámbrica 2.4G.



! Notas:

- [1] el teléfono recargará la tableta cuando esté conectado por cable y agotará rápidamente la batería del teléfono, así que solo puede usarse conectándose de forma inalámbrica al teléfono.
- [2] La tableta gráfica puede funcionar sin instalar ningún driver en su teléfono y tableta.
- [3] Una vez conectada al teléfono, la tableta entrará el modo de teléfono automáticamente, en el que el lápiz solo puede funcionar en el área gris(166.7 x 104.2mm) en la izquierda.
- [4] Por favor ten en cuenta que las teclas de acceso rápidos y el lápiz digital no son compatibles con el modo de teléfono.

2.4 Instalación de los Controladores

2.4.1 Soporte del OS

Windows 7 o posterior, mac OS 10.12 o posterior

2.4.2 Instalación del Controlador

Descargue el controlador de nuestro sitio web: www.huion.com/es/download

Después de finalizar la instalación puede encontrar el ícono del controlador "🖌️" en el área gris del sistema, lo que significa que el controlador se instaló correctamente; cuando conecte la Tableta a la computadora, el ícono cambiará a color "🖋️", lo que significa que el controlador ya ha reconocido la Tableta y puede comenzar a usarla ahora.

! Notas

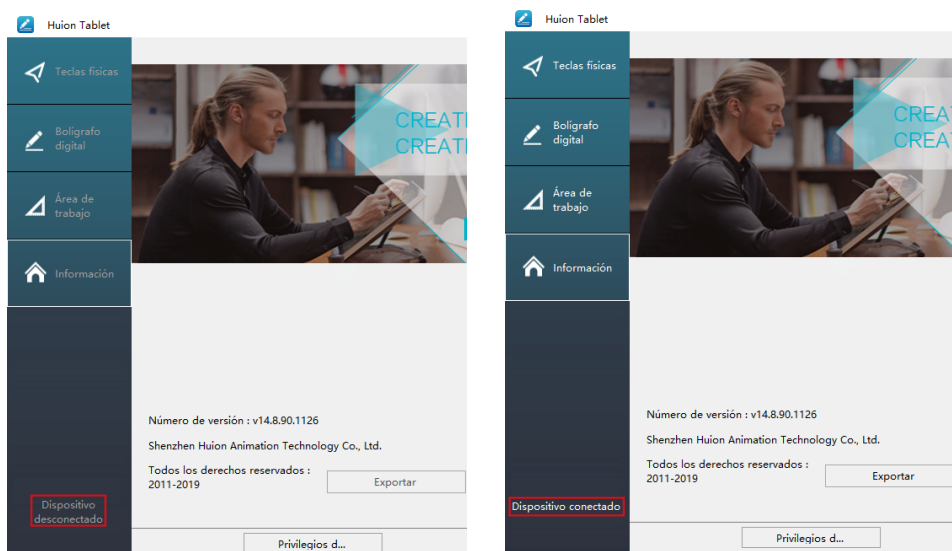
[1] Antes de instalar, debe desinstalar otro controlador de productos similares, incluyendo controladores antiguos de este producto.

[2] Antes de instalar, cierre todo el software de gráficos y el software antivirus para evitar errores innecesarios.

2.4.3 Pagina del Controlador

Después de que la descarga sea exitosa, haga doble clic para abrir el controlador, conecte el mostrar a su computadora con un cable.

Cuando se complete la conexión, busque un mensaje en la parte inferior izquierda de la página del controlador que muestre dos estados: "Dispositivo desconnesso" o "Dispositivo conectado".



3 / Operaciones Básicas con el Lápiz

3.1 Agarrar el lápiz

Agarre el bolígrafo como sostendría un bolígrafo o lápiz normal. Ajuste su agarre para que pueda presionar fácilmente el interruptor lateral con el pulgar o el índice. Tenga cuidado de no presionar accidentalmente el interruptor mientras dibuja o coloca con el lápiz.

Aviso:

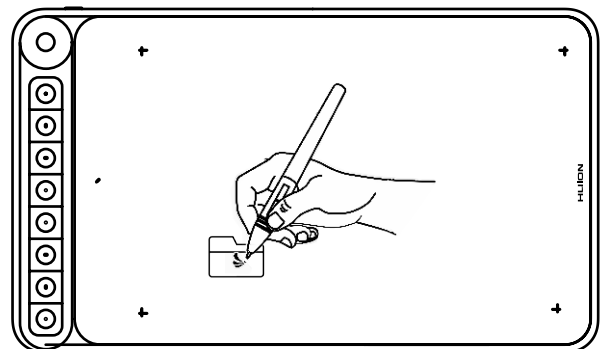
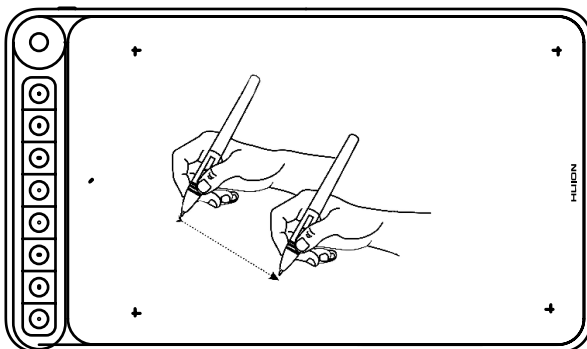
Cuando no esté en uso, coloque el bolígrafo en su estuche o sobre el escritorio. No coloque el lápiz sobre la superficie de la Tableta, ya que puede interferir con el uso de otro equipo de posicionamiento del cursor de la Tableta, también puede causar que su computadora no pueda ingresar al modo de suspensión.



3.2 Posición del cursor

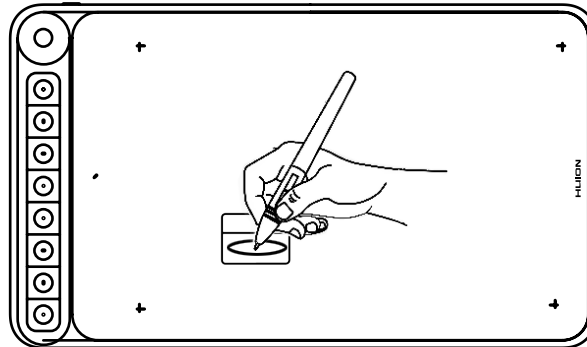
Mueva el lápiz ligeramente por encima del área activa sin tocar la superficie de la Tableta, el cursor se moverá a la nueva posición en consecuencia.

Presione la punta del lápiz en la Tableta para realizar una selección. Toque la Tableta una vez con la punta del lápiz o tóquela en la Tableta con suficiente presión para registrar un clic.



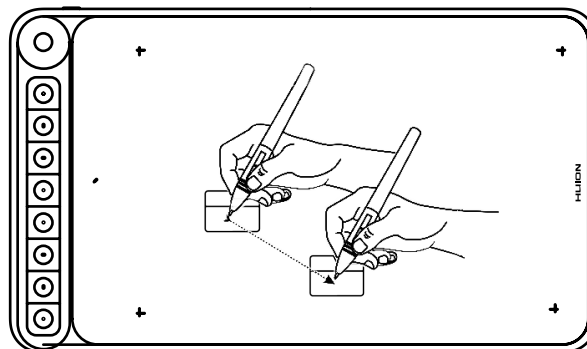
3.3 Click

Use la punta del lápiz para tocar una vez en la Tableta para registrar un clic. Toque para resaltar o seleccionar un elemento en la Tableta y haga doble clic para abrirlo.



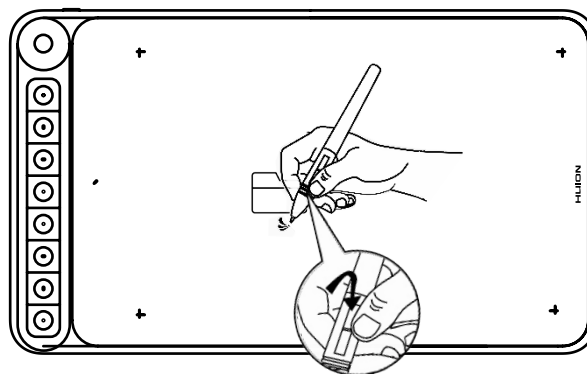
3.4 Movimiento

Seleccione el objeto, luego deslice la punta del lápiz por la Tableta para moverlo.



3.5 Uso de los botones Laterales

Los botones en el lápiz se pueden configurar en dos funciones personalizables diferentes. Puede usar los botones siempre que la punta del lápiz se encuentre a menos de 10 mm del área activa de la Tableta.



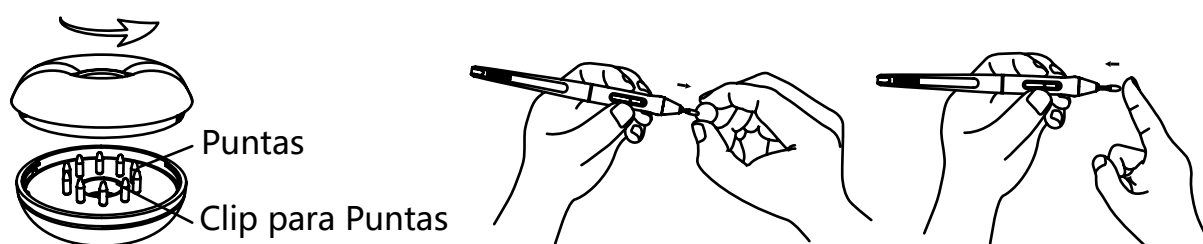
3.6 Cambiar la Punta del Lápiz

La punta se desgastará después de usarla durante mucho tiempo, luego deberá reemplazarla con una nueva punta.

[1] En sentido antihorario, gire el soporte del lápiz para abrir la tapa, saque una punta nueva.

[2] Inserte la punta de la pluma en el orificio de la parte inferior del soporte e incline la pluma para extraer la punta vieja.

[3] Inserta la punta nueva directamente en la pluma y empuja la punta lenta y firmemente hasta que se detenga.



4 / Configuración de Funciones

4.1 Configuración del Área de Trabajo

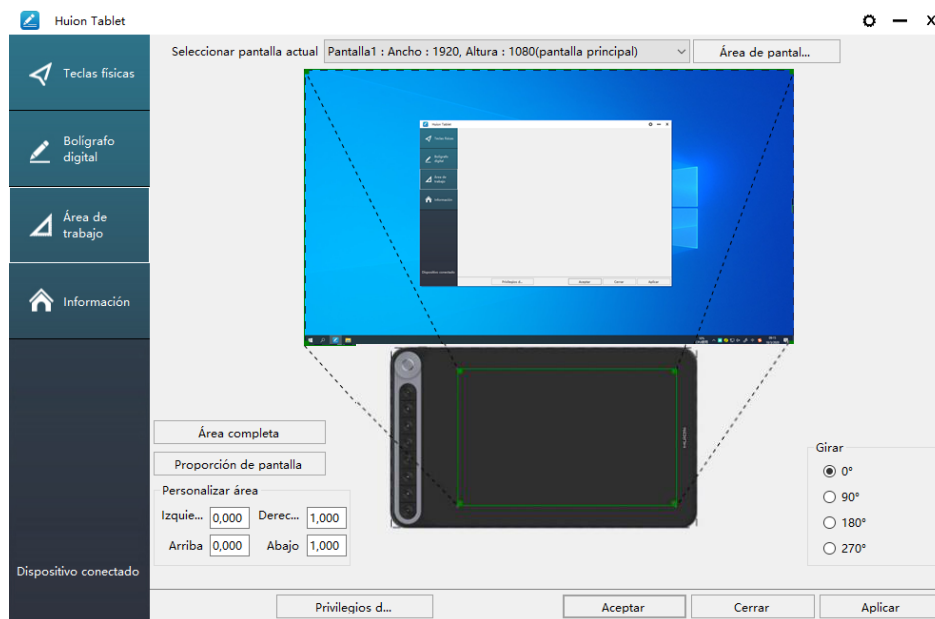
4.1.1 Utilisation de plusieurs écrans

Uso con varios monitores

Seleccione la pestaña Área de trabajo para definir la relación entre el movimiento del lápiz en la Tableta y el movimiento del cursor en la Tableta del monitor.

Por defecto, toda el área activa de visualización se asigna a todo el monitor. Si hay más de un monitor en uso y está en modo extendido, debe elegir el monitor relacionado en la interfaz del controlador al que va a asignar.

Si sus monitores están en modo espejo (todos los monitores muestran el mismo contenido), la Tableta se asigna a todo el espacio en cada monitor y el cursor de la Tableta se muestra en cada monitor simultáneamente.



4.1.2 Configuración del Área de trabajo

Defina el área de visualización que se asignará al área de Tableta.

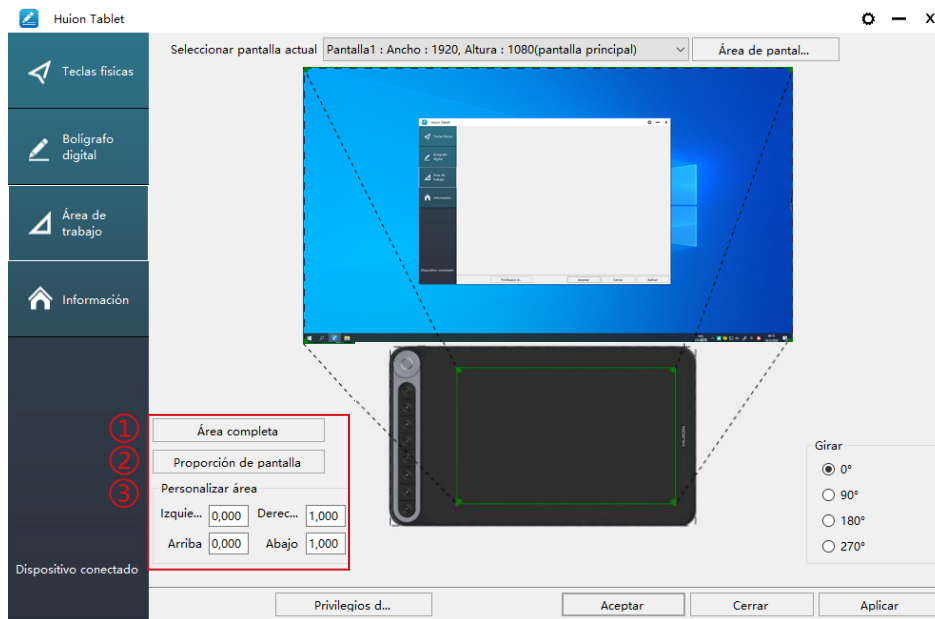
[1] Área completa: el área activa completa de la Tableta. Esta es la configuración predeterminada.

[2] Relación de Tableta: por norma general, es de 16: 9.

[3] Área personalizada:

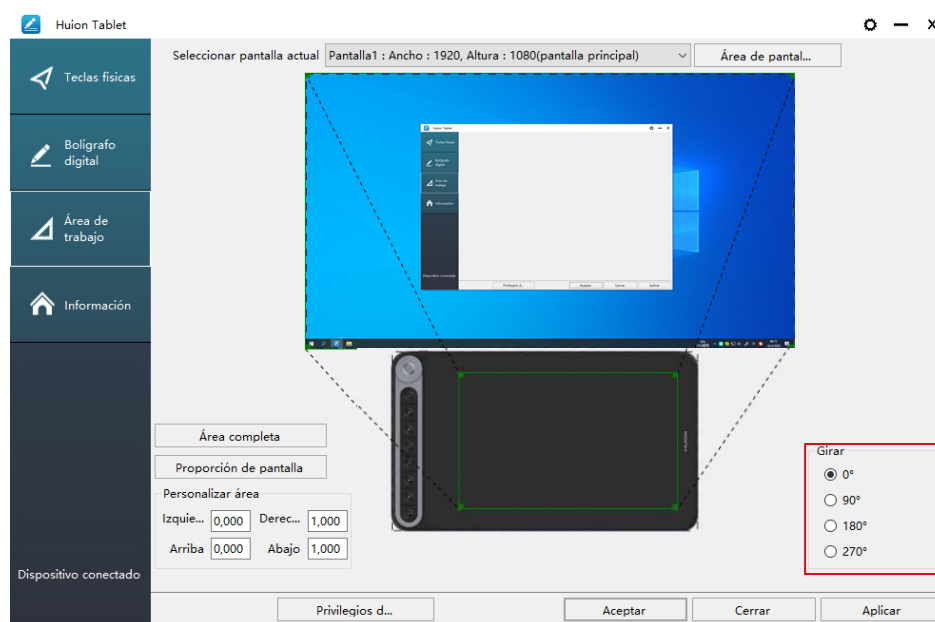
1 > Ingrese los valores de coordenadas.

2 > Arrastre las esquinas del gráfico de primer plano para seleccionar el área de la Tableta.



4.1.3 Rotate Working Area

Rotar el Área de Trabajo By changing the direction of the display to adapt to the left and right hand operation. You can rotate the display by 0° ,90° ,180° or 270° .



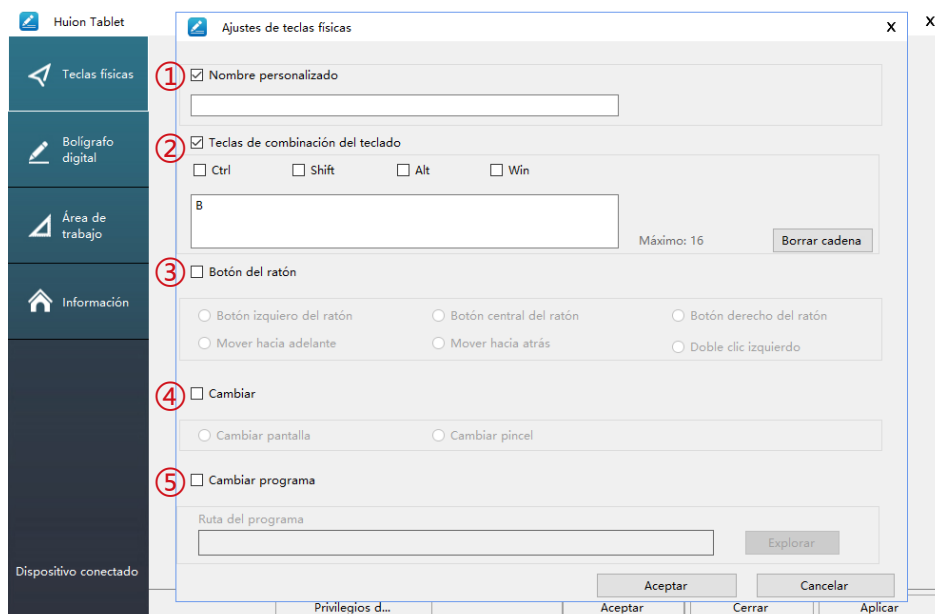
4.2 Configuración de las Teclas Presionables

Configuración predeterminada: coloque el cursor en el botón presionable o haga clic en éste para encontrar los valores predeterminados.

Configuración personalizada: seleccione la función deseada en el cuadro de diálogo emergente, luego haga clic en "Aplicar" u "Aceptar" para que tenga efecto.

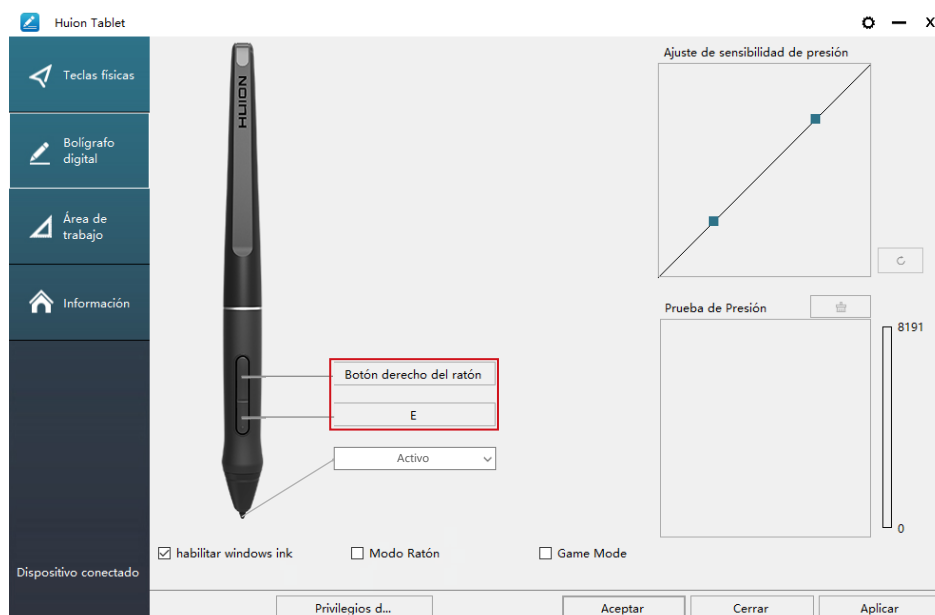


- ① Personalizado: según el uso de términos personalizados o profesionales para configurar.
- ② Teclas de función de combinación de teclas: Ctrl, Shift, Alt, Win + cualquier letra u otra. Ctrl, Shift, Alt, Win, puede seleccionar una o más de ellas, y puede organizarlas en cualquier combinación. Ingrese la Configuración correspondiente en el cuadro de entrada Por ejemplo
- ③ Función del botón del mouse: haga clic en el cuadro, seleccione la función requerida.
- ④ cambiar función: también haga clic en el cuadro, seleccione la función requerida.
- ⑤ Ejecute la función del programa: haga clic en Examinar, seleccione la conexión, para crear un acceso rápido al programa más utilizado.



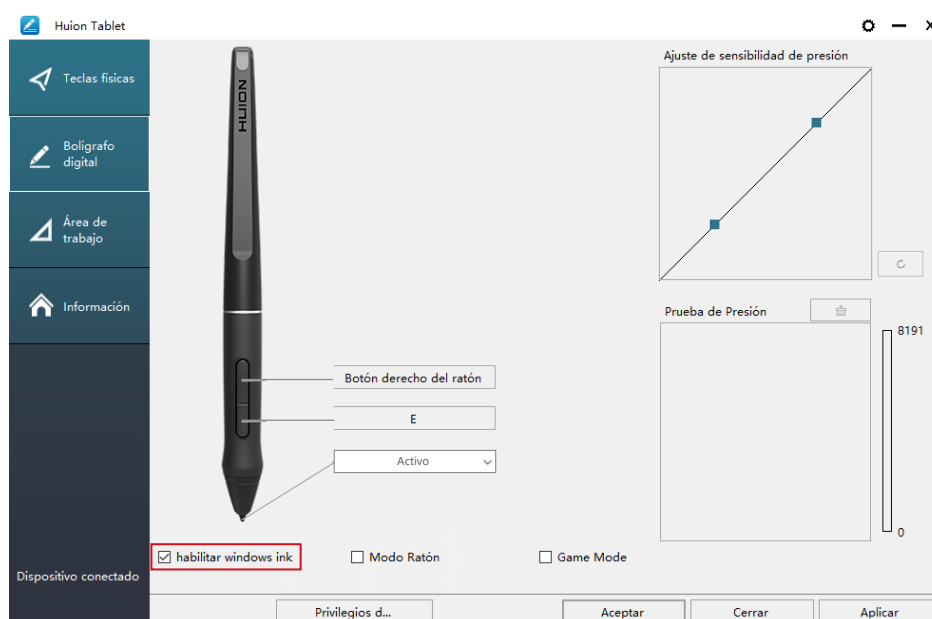
4.3 Configuración de los botones del lápiz

Seleccione la función que se desea realizar en el cuadro de diálogo emergente, luego haga clic en "Aceptar" u "Aplicar" para que tenga efecto.



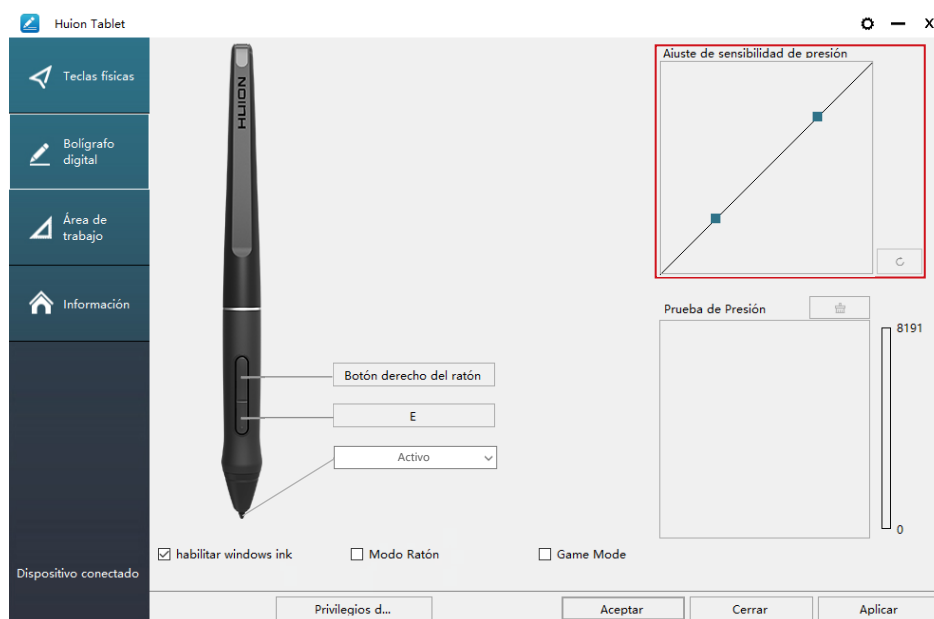
4.4 Habilitar la función de Windows Ink

Microsoft Windows proporciona un amplio soporte la señal de entrada del lápiz. Las características del lápiz son compatibles con Microsoft Office, Windows Journal, Adobe Photoshop CC, Sketch Book 6, etc.




4.5 Ajuste de sensibilidad de presión

La sensibilidad de la presión cambiará arrastrando el control deslizante hacia arriba o hacia abajo, cuanto menor sea el valor, más sensible a la presión.

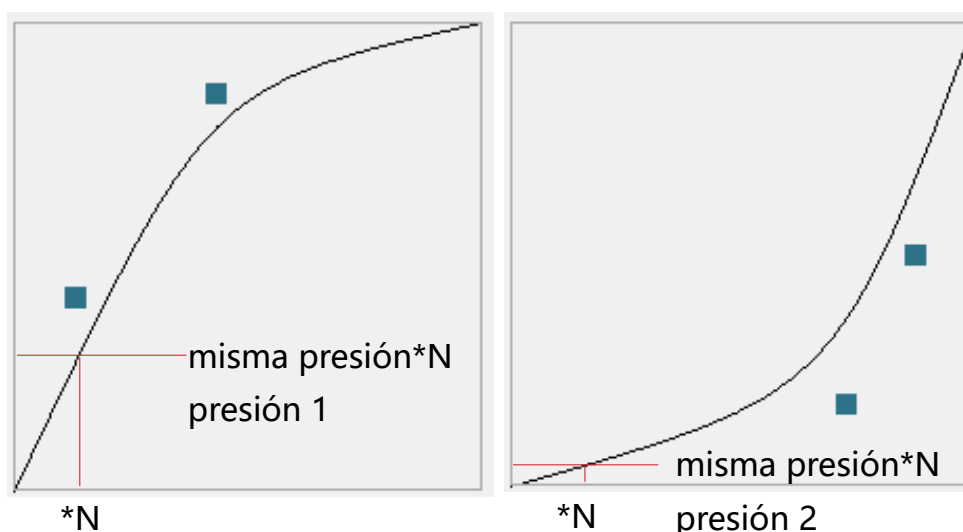


Arrastre hacia arriba (izquierda): el cambio de presión es más obvio, una pequeña presión produce una gran presión.


Arrastre hacia abajo (derecha): el cambio de presión es débil, mucha presión produce menos presión.

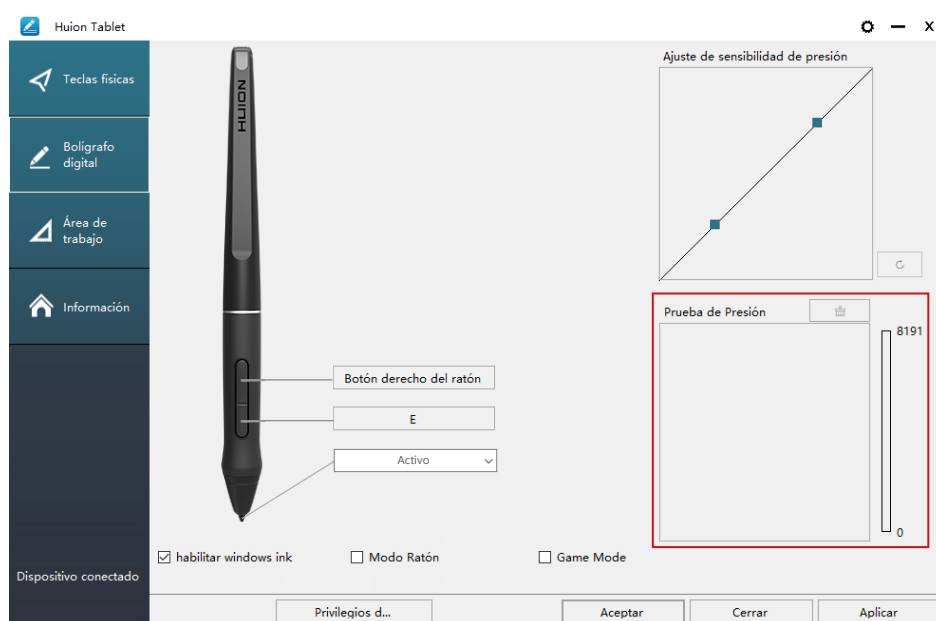
Haga clic en el botón  en la parte inferior derecha del cuadro de configuración para restablecer la sensibilidad a la presión al estado predeterminado.

Por ejemplo: aplique * N respectivamente la misma presión, bajo diferentes coeficientes de presión producidos diferentes efectos de presión. Según sus hábitos sobre como sostener el lápiz y el tamaño de la mano modifique los ajustes para



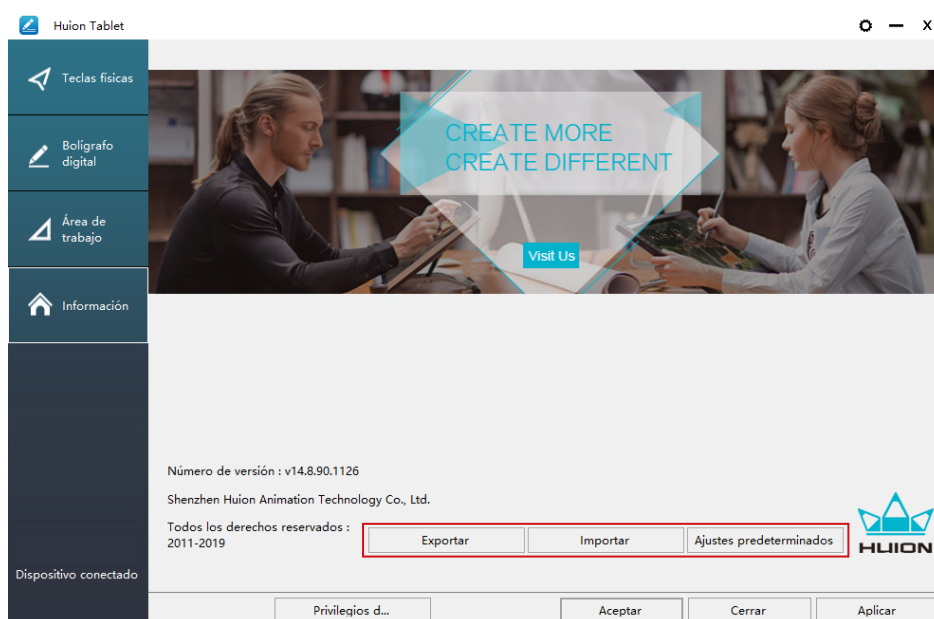
4.6 Prueba de presión del lápiz

Puede aplicar presión gradualmente al lápiz en la Pantalla para probar el nivel de presión. Haga clic en el botón "  " para borrar toda la tinta.



4.7 Exportación e importación de datos

El controlador admite la exportación e importación de sus datos de configuración personalizados para el producto, lo que es conveniente para facilitar el uso de diferentes programas y evitar el tener configuraciones repetidas.



5 / Especificaciones

Tableta	
Modelo	Q620M
Tipo de toque	Resonancia Electromagnética Pasiva
Área Activa	Computer: 266.7 x 166.7mm Android: 104.2 x 166.7mm
Dimensiones	375.5 x 220.4 x 8mm
Peso neto	666g
Resolución	5080LPI
Tasa de informe	266PPS
Altura de detección	10mm
Interface	USB-C
Botones	8 boutons personnalisables + Dail
SO Compatibles	Windows 7 ou plus, macOS 10.12 ou plus Android 6.0 ou plus
Lápiz	
Modelo	PW500
Dimensiones	163.7 x Φ 14.3mm
Peso neto	14g
Niveles de Presión	8192Levels
Precisión	\pm 0.3mm

6 / Solución de problemas

Situaciones anormales	Posibles Soluciones
No hay presión en el software de edición gráfica, pero el cursor se mueve.	Es posible que haya instalado otros controladores de Tableta o que haya abierto el software de edición gráfica al instalar el controlador. Desinstale todos los controladores y cierre el software de edición gráfica, luego reinstale el controlador. Es mejor reiniciar su ordenador después de terminar la instalación.'
El lápiz no funciona.	<ol style="list-style-type: none"> 1. Asegúrese de estar utilizando el bolígrafo que vino originalmente con su Tableta. 2. Asegúrese de haber instalado el controlador correctamente.
Los botones presionables no funcionan	<ol style="list-style-type: none"> 1. Asegúrese de que la función Presionar teclas esté habilitada en el controlador. 2. Asegúrese de haber definido correctamente los botones presionables. 3. Compruebe si el interruptor de bloqueo de presión está en la posición de desbloqueo.
El ordenador no puede entrar al modo de suspensión.	Cuando no esté utilizando la Tableta, no coloque el lápiz sobre la superficie de la Tableta, ya que mantendrá el ordenador despierto.
El botón lateral del lápiz no funciona.	Al presionar el botón lateral, asegúrese de que la punta no toque la superficie de la Tableta y que la distancia entre la punta y la superficie esté dentro de los 10 mm.
Hay una desviación entre la punta del lápiz y el cursor.	Intenta calibrar el lápiz.

7 / Contacto después del servicio

SHENZHEN HUIION ANIMATION TECHNOLOGY CO., LTD.

-  +86-755-32998548
-  www.huion.com
-  www.facebook.com/huion
-  service@huion.com
-  [huion-skype](https://www.skype.com/huion)
-  <https://twitter.com/HuionTab>

