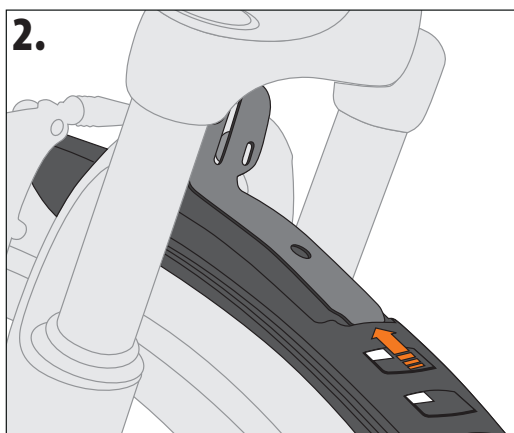
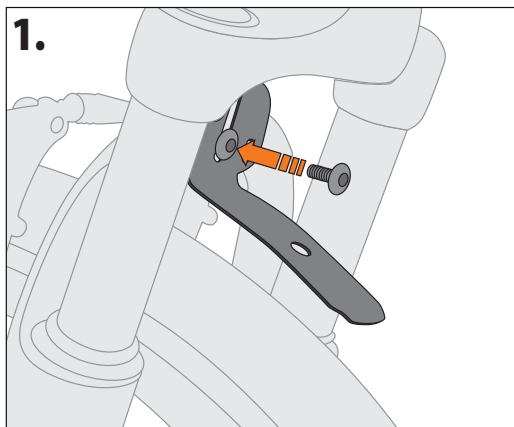
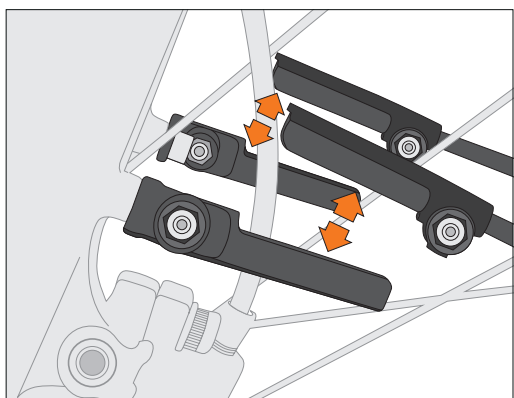
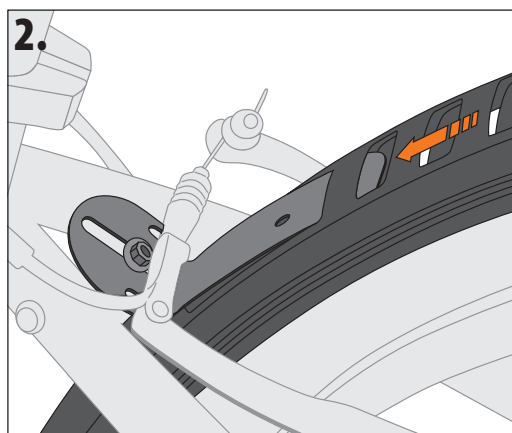
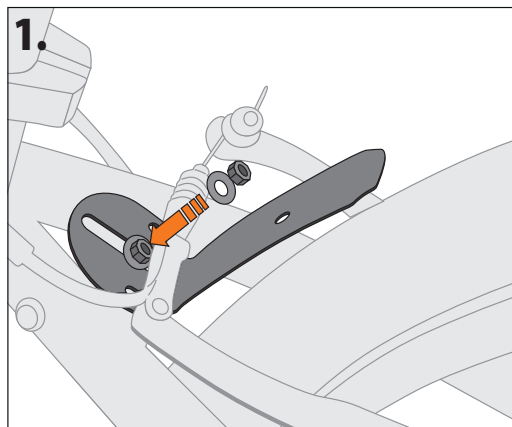


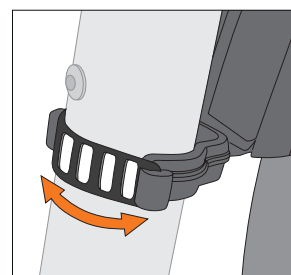
FRONT



REAR



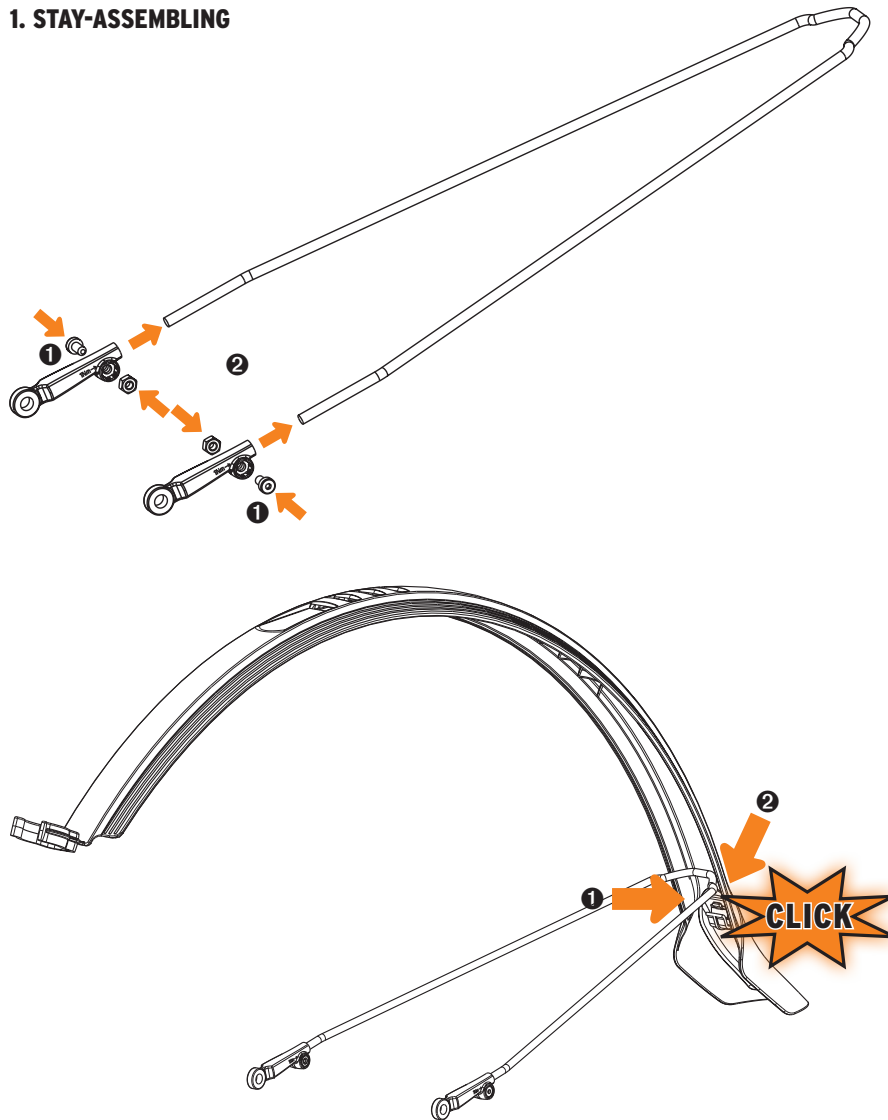
The ESC-system prevents locking of the front wheel when a foreign body should be caught between tyre and mudguard. The stays release in such a case automatically. These can be pressed in again afterwards.



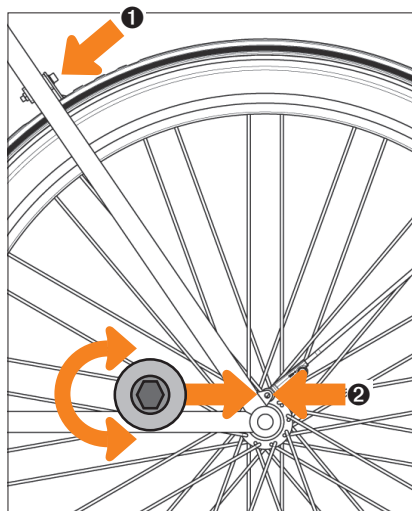
EN. VELO 47 TREKKING

Easy to mount 26"-29" mudguard set for front and rear. Snap-in stainless for extra secure mounting. Suitable for frame tubes of 25-35 mm diameter.

1. STAY-ASSEMBLING



2. FRAME-ASSEMBLING



3. LENGHT-ADJUSTEMENT

