

Instruction manual
Инструкция по эксплуатации

Blender BR1202
Блендер BR1202



СОДЕРЖАНИЕ

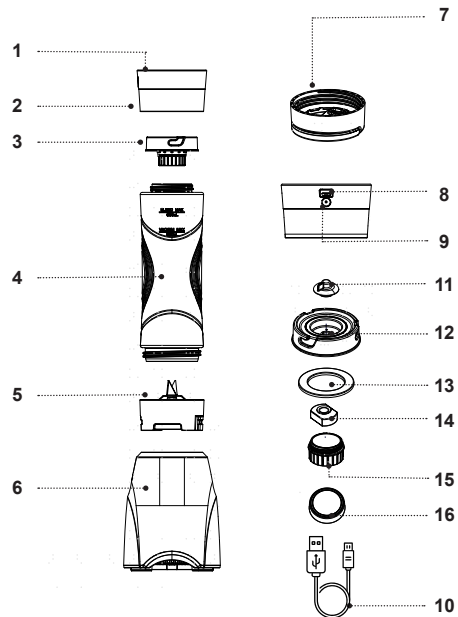
EN.....	3
DE.....	12
RU.....	22
KZ.....	32

BLENDER BR1202

The blender is intended for making vegetable or fruit blends. The vacuum lid supplied with the unit is intended for longer storage of prepared mixture. Using the lid with the valve you can take the mixture prepared in the bottle with you and use it any time.

DESCRIPTION

1. Vacuum pump on button « ⏻ »
2. Vacuum pump
3. Vacuum lid
4. Bottle
5. Knife block
6. Motor unit
7. Lid with valve
8. USB cord connector socket
9. Battery charging indicator
10. USB cord
11. Back-pressure valve
12. Vacuum lid body
13. Sealing gasket
14. Vacuum valve
15. Vacuum valve body
16. Protective lid



SAFETY MEASURES AND OPERATION RECOMMENDATIONS

Read the operation instructions carefully before using the unit, after reading keep them for future reference.

- Use the unit for its intended purpose only, as it is stated in this manual.
- Mishandling the unit can lead to its breakage and cause harm to the user or damage to the user's property, which is not covered by warranty.
- Make sure that the operating voltage of the unit indicated on the label corresponds to your home mains voltage.

ATTENTION! Continuous operation time should not exceed 1 minute. Make at least a 5 minute break between the operation cycles.

- Do not use the unit outdoors.
- It is recommended not to use the unit during lightning storms.
- Place and use the unit on a flat dry and steady surface.
- Protect the unit from impacts, falling, vibrations and other mechanical stress.
- Never leave the unit connected to the mains unattended.
- Do not use the unit near heating appliances, heat sources or open flame.

- Do not use the unit in places where aerosols are used or sprayed, and in proximity to inflammable liquids.
- Do not use the unit in proximity to the kitchen sink, in bathrooms, near swimming pools or other containers filled with water.
- If the unit is dropped into water, unplug it immediately, and only then you can take the unit out of water. Apply to the authorized service center for testing or repairing the unit.
- Do not let the power cord hang over the edge of the table or touch hot surfaces and sharp edges of furniture.
- Unplug the unit after usage or before cleaning. When unplugging the unit, hold the power plug and carefully remove it from the mains socket, do not pull the power cord, as this can lead to its damage and cause a short circuit.
- Do not touch the unit body, the power cord and the power plug with wet hands.
- Before using the unit for the first time, wash all the removable parts that will contact food thoroughly.
- Use only the parts supplied.
- Before switching the unit on, make sure that the knife block and the bottle are installed properly and fixed.
- Put the products into the bottle before switching the unit on. Do not switch the unit on if the bottle is empty.
- Cool down hot products before putting them into the bottle.
- Watch the amount of products put in the bottle and the level of poured liquids.
- The cutting edges of the knife block are sharp and dangerous, handle the knife block carefully.
- If the knife block stops rotating during the unit operation, unplug the unit, remove the bottle, remove the knife block and remove the product which is hindering the knife block rotation. Always add enough water or juice into the bottle.
- Remove the bottle from the motor unit only after disconnecting the motor unit from the mains.
- Do not put the bottle into a microwave oven.
- Do not wash the removable parts of the blender in a dishwashing machine.
- Before using the vacuum lid make sure that it is assembled correctly and installed properly on the blender bottle.
- Watch the level of liquid in the blender bottle. While using the vacuum lid the amount of liquid should not exceed 500 ml.
- Do not switch the vacuum pump on if the blender bottle is turned upside down, if it is vibrating during the blender operation or if the bottle is tilted.
- Do not open the back-pressure valve if the bottle is turned upside down.
- For children safety reasons do not leave polyethylene bags used as a packaging unattended.

Attention! Do not allow children to play with polyethylene bags or packaging film. **Danger of suffocation!**

- The unit is not intended for usage by children.
- Do not leave children unattended to prevent using the unit as a toy.
- Do not allow children to touch the operating surface, the unit body, the power cord or the power plug during operation of the unit.
- Be especially careful if children or disabled persons are near the operating unit.
- During the unit operation and breaks between operation cycles, place the unit out of reach of children.
- The unit is not intended for usage by physically or mentally disabled persons (including children) or by persons lacking experience or knowledge if they are not under supervision of a person who is responsible for their safety or if they are not instructed by this person on the usage of the unit.
- From time to time check the power cord integrity.
- If the power cord is damaged, it should be replaced by the manufacturer, a maintenance service or similar qualified personnel to avoid danger.
- Do not repair the unit by yourself. Do not disassemble the unit by yourself, if any malfunction is detected, and after the unit was dropped, unplug it and apply to the service center.

- To avoid damages, transport the unit in the original package.
- Keep the unit in a dry cool place out of reach of children and disabled persons.

THE UNIT IS INTENDED FOR HOUSEHOLD USE ONLY, DO NOT USE THE UNIT FOR COMMERCIAL OR LABORATORY PURPOSES.

BEFORE THE FIRST USE

After the unit's transportation or storage at negative temperature, unpack it and wait for at least 3 hours before using it.

- Unpack the unit and remove all the packaging materials.
- Keep the original package.
- Read the safety measures and operating recommendations.
- Check the delivery set.
- Examine the unit for damages, in case of damage do not plug it into the mains.
- Make sure that specified specifications of power supply voltage of the unit correspond to the specifications of your mains. When using the unit in the mains with 60 Hz frequency, the unit does not need any additional settings.
- Wash the lid (7), protective lid (16) and the bottle (4) with warm water and neutral detergent, rinse and dry.
- Wash the knife block (4) (only from the knives side) with warm water and neutral detergent, rinse and dry.

- The cutting edges of the knife block (5) are sharp and can be dangerous, handle the knife block (5) carefully.
- Clean the motor unit (6) body with a soft, slightly damp cloth, and then wipe it dry.
- Do not immerse the unit, the power cord and the power plug into water or any other liquids.

Charging the vacuum pump (2) battery






The vacuum pump is intended for pumping the air out of the blender bottle (4).

- To charge the battery insert the mini-USB jack into the connector socket (8).
- Insert the USB jack into the power adapter socket (not supplied).
- The power adapter should correspond to the following specifications:
 - Power supply: 110-240 V ~ 50/60 Hz
 - Output voltage: 5V 1000 mA
- Connect the power adapter to the mains socket, the indicator (9) will light up red. When the battery is fully charged, the indicator (9) will light up green.
- Disconnect the power adapter from the mains, disconnect the USB jack from the socket (8).

Preparing the vacuum lid (3)

The vacuum lid (3) is intended for longer storage of prepared mixture in the blender bottle (4).

- Before using the vacuum lid (3) make sure that it is clean and clean it, if necessary (see the table).

How to prepare and check the vacuum lid and the vacuum valve.	
	<p>Step 1:</p> <p>Remove the assembled vacuum lid (3) from the bottle (4) turning it counterclockwise.</p>
	<p>Schritt 2:</p> <p>Drehen Sie das Gehäuse (15) des Vakuumentils (14) entgegen dem Uhrzeigersinn ab.</p>
	<p>Schritt 3:</p> <p>Vergewissern Sie sich, dass sich keine Flüssigkeitstropfen oder Fremdstoffe im Inneren oder auf dem Vakuumentil (14) befinden. Spülen und trocknen Sie die Teile ab.</p>
	<p>Schritt 4:</p> <p>Setzen Sie das Vakuumentil (14) ins Gehäuse (15) ein und drehen Sie das Gehäuse (15) nach Gewinde im Uhrzeigersinn zu</p>
	<p>Schritt 5: Setzen Sie den zusammengebauten Vakuumentil (3) an der Flasche (4) an und drehen Sie diesen nach Gewinde im Uhrzeigersinn zu.</p>

USING THE BLENDER

The blender is used for making vegetable or fruit blends.

ATTENTION! Continuous operation time of the blender should not exceed 1 minute, after that make at least 5 minutes break.

Note: when using the unit for the first time, a foreign smell from the electric motor can appear - this is normal and it is not covered by warranty.

- Place the blender on a flat dry and steady surface.

Notes:

- the blender is not intended for crushing hard and frozen food, chopping meat and meat products.
- the amount of the processed products should not exceed 2/3 of the bottle (2) capacity.
- before starting to chop/mix, we recommend to peel fruit or vegetables, remove stones, and cut fruit or vegetables into 1x1x1 cm cubes.

Note: always add necessary amount of water or juice into the bottle (2).

ATTENTION!

Best proportion while processing the food: 2 parts of fruit to 3 parts of water or juice.

When making mixtures the total amount should not exceed 600 ml.

If you are going to use the vacuum lid (3) intended for longer storage of the prepared mixture, the maximal amount should not exceed 500 ml.

- Install the knife block (5) in the bottle (4) and turn the knife block (5) counterclockwise (left-hand thread).

Do not make excessive efforts while turning the knife block (5).

- Once again make sure that the knife block (5) is installed correctly.

- Put the necessary ingredients in the bottle (4) and add the required amount of liquid.

- Install the assembled vacuum lid (3) on the upper part of the bottle (4) and thread it rotating clockwise. Do not apply excessive efforts when screwing the lid (3).

- Install the protective lid (16) on the vacuum lid (3) and turn it clockwise until bumping.

- Match the mark «▼» on the bottle (4) with the mark «▲» on the motor unit (6), insert the bottle (4) into the motor unit (6) body and turn the bottle (4) clockwise until bumping. Make sure that the bottle (4) is fixed properly.

- Before switching the blender on you should decide how you will use the prepared mixture - use it immediately or store it in the fridge.

1. Using the processed products:

- insert the power plug into the mains socket, the blender will switch on;

- do not exceed the recommended operation time. After chopping the products unplug the unit;

- turn the bottle (4) counterclockwise and remove it from the motor unit (6);

- turn over the bottle (4) and remove the knife block (5) turning it clockwise;

- take the processed products out of the bottle (4);

- if you are going to take the bottle (4) with you, flip the bottle (4) and remove the knife block (5) turning it clockwise, install the lid (7) on the bottle (4) turning it counterclockwise. When you use the lid (7), open the valve, add the necessary amount of the product and close the valve.

Note: You can leave the vacuum pump (2) on the lid (3) and after consuming the product turn over the bottle (4) and press the button (1) to create vacuum in the bottle (4). It provides the best conditions for the product storing.

- After removing the knife block (5) wash it (from the knives side only) and dry.

ATTENTION: The knife block (5) cutting edges are very sharp and dangerous. Handle the knife block (5) carefully.

2. Storing the processed products in the bottle (4)

ATTENTION!

If you are going to use the vacuum lid (3) intended for longer storage of the prepared mixture, the maximal amount should not exceed 500 ml.

Before using the vacuum lid (3) make sure that it is assembled correctly and installed properly on the blender bottle (4).

Do not switch the vacuum pump (2) on if the blender bottle (4) is turned upside down, if the bottle (4) is vibrating during the blender operation or if the bottle (4) is tilted.

If you accidentally tilted the bottle at more than 90 degrees, the vacuum pump will switch off automatically.

Do not open the back-pressure valve (11) if the bottle (4) is turned upside down.

- press the button (1) « ⏻ », the vacuum pump will switch on for approximately 1 minute (the operation time of the vacuum pump depends on the amount of the ingredients in the bottle (4));

Note: fix operation time limits for the vacuum pump. After 3 minutes of operation make at least 30 minutes break.

- to check whether there is vacuum in the bottle (4) remove the vacuum pump (2) and pull the back-pressure valve (11). If you hear a sound of air entering the bottle (4), it means that the vacuum lid (3) is in good working order. Install the vacuum pump (2) on the lid (3) and switch it on again pressing the button (1) « ⏻ ».

- remove the vacuum pump (2) by turning it counterclockwise;

- install the protective lid (16) instead of the vacuum pump (2) and turn it clockwise;

- insert the power plug into the mains socket, the blender will switch on;

- do not exceed the recommended operation time. After chopping the products unplug the unit;

- turn the bottle (4) counterclockwise and remove it from the motor unit (6);

- remove the vacuum pump (2) turning it counterclockwise;

- put the bottle (4) in the fridge for storage;

Note: vacuum in the bottle (4) extends the storage life of the processed products, but not for an indefinite period of time. Before consuming check the product carefully and if you find any signs of spoilage, do not consume it.

- before removing the vacuum lid (3) you have to admit air to the bottle (4), remove the protective lid (16) by

turning it counterclockwise, pull the back-pressure valve (11) and the air will be admitted to the bottle (4);

– remove the vacuum lid (3) turning it counterclockwise and remove the products from the bottle (4)

CLEANING AND CARE

- Unplug the blender after you finish using it.
- Wash the lid (7), protective lid (16) and the bottle (2) with warm water and neutral detergent, rinse and dry.
- You can wash the bottle (4) and the vacuum lid (3) in a dishwashing machine.
- Wash the knife block (4) (only from the knives side) with warm water and neutral detergent, rinse and dry.
- Prepare the vacuum lid (3) for the use according to the recommendations given in the table.
- Clean the motor unit body (6) and the vacuum pump (2) with a soft, slightly damp cloth, and then wipe them dry.
- Do not use abrasives or solvents to clean the motor unit body (5) and the removable parts.
- Do not immerse the motor unit (5) body, the power cord and the power plug into water or any other liquids.

STORAGE

- Clean the unit before taking it away for storage.
- Keep the unit in a dry cool place out of reach of children and disabled persons.

DELIVERY SET

1. Tabletop blender - 1 pc.
2. Knife block – 1 pc.
3. Bottle – 1 pc.
4. Lid – 1 pc.
5. Protective lid – 1 pc.
6. Vacuum lid - 1 pc.
7. Vacuum pump - 1 pc.
8. USB cord - 1 pc.
9. Manual – 1 pc.

TECHNICAL SPECIFICATIONS

- Power supply: 220-240 V ~ 50/60 Hz
- Rated input power: 300 W
- Bottle capacity: - 0,6 l
- Maximal operation time: - 1 minute

RECYCLING



To prevent possible damage to the environment or harm to the health of people by uncontrolled waste disposal, after expiration of the service life of the unit or the batteries (if included), do not discard them with usual household waste, but take the unit and the batteries to specialized stations for further recycling.

The waste generated during the disposal of the unit is subject to mandatory collection and consequent

disposal in the prescribed manner.

For further information about recycling of this product apply to a local municipal administration, a disposal service or to the shop where you purchased this product.

The manufacturer reserves the right to change the appearance, design and specifications not affecting general operation principles of the unit, without prior notice.

The unit operating life is 3 years

The manufacturing date is specified in the serial number.

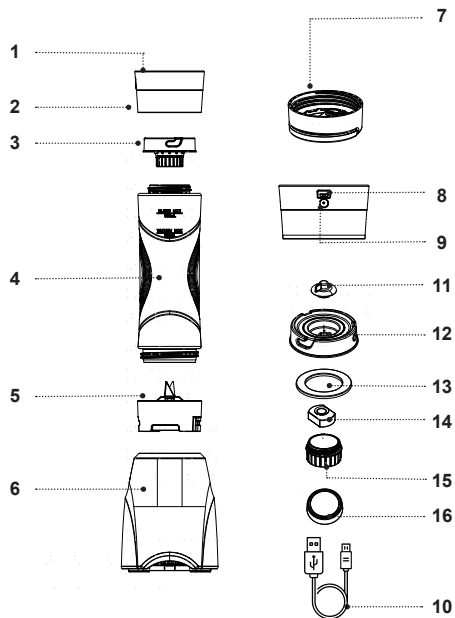
In case of any malfunctions promptly apply to the authorized service center.

STANDMIXER BR1202

Der Standmixer ist zur Zubereitung von Gemüse- oder Obstmischungen bestimmt. Der mitgelieferte Vakuumdeckel ist für die längere Aufbewahrung der zubereiteten Mischung vorgesehen. Indem Sie den Deckel mit Ventil verwenden, können Sie die in der Flasche zubereitete Mischung mitnehmen und jederzeit trinken.

BESCHREIBUNG

1. Vakuumpumpeneinschalttaste « ⏻ »
2. Vakuumpumpe
3. Vakuumdeckel
4. Flasche
5. Messereinheit
6. Motoreinheit
7. Deckel mit Ventil
8. USB-Kabel-Anschlussstelle
9. Akkuladezustandsanzeige
10. USB-Kabel
11. Rücklaufventil
12. Vakuumdeckelgehäuse
13. Dichtung
14. Vakuumventil
15. Vakuumventilgehäuse
16. Schutzhülle deckel



SICHERHEITSHINWEISE UND BEDIENUNGSANLEITUNG

Bevor Sie das Gerät benutzen, lesen Sie zuerst die Bedienungsanleitung aufmerksam durch und bewahren Sie sie zum späteren Gebrauch auf.

- Benutzen Sie das Gerät nur bestimmungsmäßig und laut dieser Bedienungsanleitung.
- Missbrauch des Geräts kann zu seiner Störung führen, den Benutzer oder sein Eigentum beschädigen und ist kein Garantiefall.
- Vergewissern Sie sich, dass die auf dem Bezeichnungszettel angegebene Betriebsspannung und die Netzspannung übereinstimmen.

ACHTUNG! Der Dauerbetrieb soll 1 Minute nicht überschreiten, machen Sie eine mindestens 5-Minuten-Betriebszyklenpause.

- Es ist nicht gestattet, das Gerät draußen zu benutzen.
- Es ist nicht empfohlen, das Gerät bei Gewitter zu benutzen.
- Installieren und verwenden Sie das Gerät auf einer ebenen, trockenen und standfesten Oberfläche.
- Schützen Sie das Gerät vor Stößen, Stürzen, Vibrationen und anderen mechanischen Einwirkungen.

- Lassen Sie das ans Stromnetz angeschlossene Gerät nie unbeaufsichtigt.
- Benutzen Sie das Gerät in direkter Nähe von Heizgeräten, Wärmequellen oder offenem Feuer nicht.
- Es ist verboten, das Gerät an den Orten, wo Sprays verwendet werden, sowie in der Nähe von leichtentzündbaren Flüssigkeiten zu benutzen.
- Benutzen Sie das Gerät in der Nähe von Spülbecken, in Badezimmern und neben den Wasserbecken oder anderen mit Wasser gefüllten Behältern nicht.
- Falls das Gerät ins Wasser gefallen ist, ziehen Sie den Netzstecker aus der Steckdose sofort heraus, erst danach holen Sie das Gerät aus dem Wasser heraus. Wenden Sie sich an einen autorisierten Kundendienst, um das Gerät prüfen oder reparieren zu lassen.
- Lassen Sie das Netzkabel von der Tischkante nicht herabhängen, heiße Oberflächen und scharfe Möbelkanten nicht berühren.
- Trennen Sie das Gerät nach dem Gebrauch oder vor der Reinigung vom Stromnetz ab. Wenn Sie das Gerät vom Stromnetz abtrennen, halten Sie den Netzstecker fest und ziehen Sie ihn aus der Steckdose vorsichtig heraus; ziehen Sie das Netzkabel nicht, da es zu seiner Beschädigung und einem Kurzschluss führen kann.
- Berühren Sie das Gerätegehäuse, das Netzkabel und den Netzstecker mit nassen Händen nicht.

- Vor dem ersten Gerätebetrieb spülen Sie alle mit den Produkten zu kontaktierenden abnehmbaren Teile sorgfältig durch.
- Benutzen Sie nur die mitgelieferten Teile.
- Vergewissern Sie sich vor der Gerätenutzung, dass die Messereinheit und der Kolben richtig aufgestellt und befestigt sind.
- Legen Sie die Nahrungsmittel in den Kolben vor der Geräteeinschaltung ein, es ist verboten, das Gerät ohne Nahrungsmittel im Kolben einzuschalten.
- Kühlen Sie heiße Produkte ab, bevor Sie sie in den Kolben einlegen.
- Beachten Sie die Nahrungsmittelmenge und den Flüssigkeitsfüllstand im Kolben.
- Die Schneidkanten der Messereinheit sind scharf und gefährlich, gehen Sie mit der Messereinheit vorsichtig um.
- Vergewissern Sie sich vor der Verwendung des Vakuumdeckels, dass dieser korrekt zusammengebaut und auf der Mixerflasche richtig installiert ist.
- Achten Sie aufs Flüssigkeitsvolumen in der Mixerflasche; wenn Sie den Vakuumdeckel verwenden, soll das Flüssigkeitsvolumen 500 ml nicht überschreiten.
- Es ist verboten, die Vakuumpumpe einzuschalten, wenn die Mixerflasche heruntergedreht ist, wenn die Flasche während des Mixerbetriebs stark vibriert und wenn die Flasche seitwärts gekippt ist.

- Öffnen Sie niemals das Rücklaufventil, wenn die Flasche umgekippt ist.
- Aus Kindersicherheitsgründen lassen Sie die als Verpackung verwendeten Plastiktüten nie ohne Aufsicht.

Achtung! Lassen Sie Kinder mit Plastiktüten oder Verpackungsfolien nicht spielen. **Erstickungsgefahr!**

- Das Gerät ist nicht für Kinder bestimmt.
- Beaufsichtigen Sie Kinder, damit sie das Gerät als Spielzeug nicht benutzen.
- Lassen Sie Kinder die Arbeitsfläche, das Gerätegehäuse, das Netzkabel oder den Netzstecker während des Gerätebetriebs nicht berühren.
- Besondere Vorsichtsmaßnahmen sind in den Fällen angesagt, wenn sich Kinder oder behinderte Personen während des Gerätebetriebs in der Nähe aufhalten.
- Während des Betriebs und der Pausen zwischen den Betriebszyklen stellen Sie das Gerät an einen für Kinder unzugänglichen Ort auf.
- Dieses Gerät ist für Personen (darunter Kinder) mit Körper-, Nerven- und Geistesstörungen oder Personen ohne ausreichende Erfahrung und Kenntnisse nicht geeignet, wenn sie sich unter Aufsicht der Person, die für ihre Sicherheit verantwortlich ist, nicht befinden oder entsprechende Anweisungen über die Nutzung des Geräts nicht bekommen haben.

- Prüfen Sie die Unversehrtheit des Netzkabels periodisch.
- Wenn das Netzkabel beschädigt ist, soll es vom Hersteller, vom Kundendienst oder von ähnlich qualifiziertem Personal ersetzt werden, um Gefahren zu vermeiden.
- Es ist nicht gestattet, das Gerät selbständig zu reparieren. Es ist nicht gestattet, das Gerät selbständig auseinanderzunehmen; bei der Feststellung jeglicher Beschädigungen, sowie im Sturzfall, trennen Sie das Gerät vom Stromnetz ab und wenden Sie sich an einen Kundendienst.
- Um Beschädigungen zu vermeiden, transportieren Sie das Gerät nur in der Fabrikverpackung.
- Bewahren Sie das Gerät an einem trockenen, kühlen und für Kinder und behinderte Personen unzugänglichen Ort auf.

DAS GERÄT IST NUR FÜR DEN GEBRAUCH IM HAUSHALT GEEIGNET, ES IST VERBOTEN, DAS GERÄT ZU GESCHÄFTS- ODER LABORZWECKEN ZU BENUTZEN.

VOR DER ERSTEN NUTZUNG

Packen Sie das Gerät aus und warten Sie mindestens 3 Stunden, bevor Sie es bei einer negativen Temperatur transportieren oder bewahren.

- Packen Sie das Gerät aus und entfernen Sie alle Verpackungsmaterialien.
- Bewahren Sie die Originalverpackung auf.
- Lesen Sie die Sicherheitsmaßnahmen und Bedienungsempfehlungen.
- Prüfen Sie die Komplettheit.
- Prüfen Sie das Gerät auf Beschädigungen; wenn es beschädigt ist, schließen Sie es ans Stromnetz nicht an.
- Vergewissern Sie sich, dass die angegebenen Parameter der Geräteversorgungsspannung und die Stromnetzparameter übereinstimmen. Beim 60-Hz-Stromnetz-Gerätebetrieb sind keine zusätzlichen Maßnahmen erforderlich.
- Waschen Sie den Deckel (7), Schutzhülle deckel (16) und den Kolben (4) mit Warmwasser und einem neutralen Reinigungsmittel, spülen und trocknen Sie sie ab.
- Waschen Sie die Messereinheit (5) (nur von der Messerseite) mit Warmwasser und einem neutralen Reinigungsmittel, spülen und trocknen Sie sie ab.
- Die Schneidkanten der Messereinheit (5) sind scharf und gefährlich, gehen Sie mit der Messereinheit (5) vorsichtig um.
- Wischen Sie das Motoreinheitsgehäuse (6) mit einem weichen, leicht angefeuchteten Tuch ab, danach trocknen Sie es ab.
- Es ist nicht gestattet, das Gerät, das Netzkabel und den Netzstecker ins Wasser oder jegliche andere Flüssigkeiten einzutauchen.

Akkuaufladung der Vakuumpumpe (2)






Die Vakuumpumpe dient zur Entlüftung der Mixerflasche (4).

- Zur Akkuaufladung stecken Sie den Mini-USB-Stecker in die Ladeanschlusstelle (8) ein.
- Stecken Sie den USB-Stecker in die Anschlussstelle eines Netzwerkadapters (nicht mitgeliefert) ein.
- Der Netzwerkadapter soll den folgenden Parametern entsprechen:
 - Stromversorgung: 110-240 V ~ 50/60 Hz
 - Ausgangsspannung: 5 V 1000 mA
- Stecken Sie den Netzadapter in eine Steckdose ein, dabei leuchtet die Anzeige (9) rot; wenn der Akkumulator aufgeladen ist, leuchtet die Anzeige (9) grün.
- Ziehen Sie den Netzadapter aus der Steckdose und das USB-Kabel aus der Anschlussstelle (8) heraus.

Vorbereitung des Vakuumdeckels (3)

Der Vakuumdeckel (3) dient zur längeren Aufbewahrung der zubereiteten Mischung in der Mixerflasche (4).

- Vergewissern Sie sich vor der Verwendung des Vakuumdeckels (3), dass dieser sauber ist, und reinigen Sie ihn gegebenenfalls, siehe die Tabelle.

Anleitung zur Vorbereitung und Überprüfung des Vakuumdeckels und -ventils	
	Schritt 1: Entfernen Sie den zusammengebauten Vakuumdeckel (3) von der Flasche (4), indem Sie diesen entgegen dem Uhrzeigersinn drehen.
	Schritt 2: Drehen Sie das Gehäuse (15) des Vakuumventils (14) entgegen dem Uhrzeigersinn ab.
	Schritt 3: Vergewissern Sie sich, dass sich keine Flüssigkeitstropfen oder Fremdstoffe im Inneren oder auf dem Vakuumventil (14) befinden. Spülen und trocknen Sie die Teile ab.
	Schritt 4: Setzen Sie das Vakuumventil (14) ins Gehäuse (15) ein und drehen Sie das Gehäuse (15) nach Gewinde im Uhrzeigersinn zu.
	Schritt 5: Setzen Sie den zusammengebauten Vakuumdeckel (3) an der Flasche (4) an und drehen Sie diesen nach Gewinde im Uhrzeigersinn zu.

STANDMIXERBETRIEB

Der Standmixer wird zur Zubereitung von Gemüse- oder Obstmischungen verwendet.

ACHTUNG! Der kontinuierliche Standmixerbetrieb soll nicht mehr als 1 Minute dauern, dann machen Sie mindestens eine 5-Minuten-Betriebspause.

Anmerkung: bei erster Geräteeinschaltung kann ein Fremdgeruch vom Elektromotor entstehen - es ist normal und kein Garantiefall.

Stellen Sie den Standmixer auf einer ebenen, trockenen und standfesten Oberfläche auf.

Anmerkungen:

- der Standmixer ist zum Zerkleinern von Hart- und Gefrierprodukten, Fleisch und Fleischprodukten nicht geeignet.
- die Menge der zu verarbeitenden Nahrungsmittel soll 2/3 des Fassungsvermögens des Kolbens (4) nicht überschreiten.
- vor dem Zerkleinern/Mixen ist es empfohlen, Obst oder Gemüse zu schälen, Kerne zu entfernen und Obst oder Gemüse in 1x1x1 cm große Würfel zu schneiden.
- immer füllen Sie Wasser oder Saft in den Kolben (4) ausreichend zu.

ACHTUNG!

Das beste Verhältnis bei der Nahrungsmittelbearbeitung: 2 Volumenteile Obst auf 3 Volumenteile Wasser oder Saft.

Bei der Mischungszubereitung soll deren Gesamtvolumen 600 ml nicht überschreiten.

Wenn Sie den für die längere Aufbewahrung der zubereiteten Mischung vorgesehenen Vakuumdeckel (3) verwenden möchten, soll das maximale Volumen 500 ml nicht überschreiten.

- Setzen Sie die Messereinheit (5) in die Flasche (4) ein und drehen Sie die Messereinheit (5) entgegen dem Uhrzeigersinn (Linksgewinde).
- Wenden Sie beim Drehen der Messereinheit (5) keine übermäßige Kraft an.
- Vergewissern Sie sich noch einmal, dass die Messereinheit (5) korrekt aufgestellt ist.
- Legen Sie erforderliche Zutaten in die Flasche (4) ein und geben Sie erforderliche Flüssigkeitsmenge zu.
- Setzen Sie den zusammengebauten Vakuumdeckel (3) auf den Oberteil der Flasche (4) auf und drehen Sie diesen nach Gewinde im Uhrzeigersinn zu; wenden Sie beim Drehen des Deckels (3) keine übermäßige Kraft an.
- Setzen Sie die Schutzhülle deckel (16) auf den Vakuumdeckel (3) auf und drehen Sie sie im Uhrzeigersinn bis zum Anschlag.

- Lassen Sie das Zeichen «▼» an der Flasche (4) und das Zeichen «▲» an der Motoreinheit (6) zusammenfallen, setzen Sie die Flasche (4) ins Motoreinheitsgehäuse (6) ein, drehen Sie die Flasche (4) im Uhrzeigersinn bis zum Anschlag und vergewissern Sie sich, dass die Flasche (4) fest befestigt ist.
- Entscheiden Sie vor der Mixereinschaltung, wie die zubereitete Mischung in Zukunft verwendet werden muss – wird die Mischung sofort verzehrt oder zur Lagerung in den Kühlschrank gestellt.

1. Verwendung bearbeiteter Nahrungsmittel:

- stecken Sie den Netzstecker in die Steckdose ein, der Mixer wird eingeschaltet;

- überschreiten Sie die empfohlene Mixerbetriebszeit nicht und ziehen Sie den Netzstecker aus der Steckdose nach der Nahrungsmittelzerkleinerung heraus.

- drehen Sie die Flasche (4) entgegen dem Uhrzeigersinn und nehmen Sie sie von der Motoreinheit (6) ab.

- drehen Sie die Flasche (4) um und entfernen Sie die Messereinheit (5), indem Sie sie im Uhrzeigersinn drehen.

- nehmen Sie die bearbeiteten Nahrungsmittel aus der Flasche (4) heraus;

- Wenn Sie die Flasche (4) mitnehmen möchten, klappe die Flasche (4) um und indem Sie sie entgegen dem Uhrzeigersinn drehen, entfernen Sie die Messereinheit (5), indem Sie sie im Uhrzeigersinn drehen, setzen Sie den Deckel (7) auf die Flasche (4) auf, indem Sie ihn entgegen dem Uhrzeigersinn drehen, wenn Sie den Deckel (7) verwenden, öffnen Sie das Ventil, gießen Sie erforderliche Nahrungsmittelmenge ein und schließen Sie das Ventil.

Anmerkung: Sie können die Vakuumpumpe (2) vom Deckel (3) nicht abnehmen und den Kolben (4) nach dem Nahrungsmittelverbrauch umkippen und die Taste (7) drücken, um ein Vakuum im Kolben (4) zu schaffen, dadurch werden die besten Nahrungsmittelaufbewahrungsgsbedingungen garantiert.

- Spülen und trocknen Sie die Messereinheit (5) (nur von der Messerseite) nach dem Entfernen ab.

ACHTUNG: Die Schneidkanten der Messereinheit (5) sind scharf und gefährlich. Gehen Sie mit der Messereinheit (5) vorsichtig um.

2. Aufbewahrung bearbeiteter Nahrungsmittel im Kolben (4)

ACHTUNG!

Wenn Sie den für die längere Aufbewahrung der zubereiteten Mischung vorgesehenen Vakuumdeckel (3) verwenden möchten, soll das maximale Volumen 500 ml nicht überschreiten.

Vergewissern Sie sich vor der Verwendung des Vakuumdeckels (3), dass dieser korrekt zusammengebaut und auf der Mixerflasche (4) richtig installiert ist.

Es ist verboten, die Vakuumpumpe (2) einzuschalten, wenn die Mixerflasche (4) umgekippt ist, wenn die Flasche (4) während des Mixerbetriebs stark vibriert und wenn die Flasche (4) seitwärts gekippt ist.

Wenn Sie die Flasche versehentlich um mehr als 90 Grad kippen, schaltet sich die Vakuumpumpe automatisch aus.

Öffnen Sie niemals das Rücklaufventil (11), wenn die Flasche (4) umgekippt ist.

- drücken Sie die Taste (1)« ⏪ », die Vakuumpumpe schaltet sich für ca. 1 Minute ein (die Pumpenbetriebszeit hängt von der in die Flasche (4) eingefüllten Zutatenmenge ab).

Anmerkung: begrenzen Sie die Vakuumpumpenbetriebszeit, nach 3-Minuten-Betrieb müssen Sie eine mindestens 30-Minuten-Pause machen.

- um das Vakuum in der Flasche (4) zu prüfen, entfernen Sie die Vakuumpumpe (2) und ziehen Sie das Rücklaufventil (11), wenn Sie ein Eintrittsluftgeräusch in der Flasche (4) hören, bedeutet dies, dass der Vakuumdeckel (3) funktioniert, setzen Sie die

Vakuumpumpe (2) auf den Deckel (3) auf und schalten Sie sie durch das Drücken der Taste « ⏪ » (1) wieder ein;

- Entfernen Sie die Vakuumpumpe (2), indem Sie sie gegen den Uhrzeigersinn drehen.

- Anstelle der Vakuumpumpe (2) eine Schutzabdeckung (16) anbringen und im Uhrzeigersinn drehen;

- stecken Sie den Netzstecker in die Steckdose ein, der Mixer wird eingeschaltet;

- überschreiten Sie die empfohlene Mixerbetriebszeit nicht und ziehen Sie den Netzstecker aus der Steckdose nach der Nahrungsmittelzerkleinerung heraus.;

- drehen Sie die Flasche (4) entgegen dem Uhrzeigersinn und nehmen Sie sie von der Motoreinheit (6) ab;

- stellen Sie die Flasche (4) in den Kühlschrank zur Aufbewahrung weg.

Anmerkung: das in der Flasche (4) geschaffene Vakuum verlängert die Aufbewahrungsfrist bearbeiteter Nahrungsmittel, jedoch nicht unbegrenzt, daher überprüfen Sie das Nahrungsmittel vor dem Verzehren sorgfältig und essen Sie es bei Verderb-Anzeichen nicht;

- vor dem Entfernen des Vakuumdeckels (3) muss die Luft in den Kolben (4), entfernen Sie die Schutzabdeckung (16), indem Sie sie gegen den

Uhrzeigersinn drehen eintreten, ziehen Sie das Rücklaufventil (11) und die Luft wird in die Flasche (4) eintreten;

- entfernen Sie den Vakuumdeckel (3), indem Sie ihn entgegen dem Uhrzeigersinn drehen, und nehmen Sie Nahrungsmittel aus der Flasche (4) heraus

REINIGUNG UND PFLEGE

- Nach dem Standmixerbetrieb ziehen Sie den Netzstecker aus der Steckdose heraus.
- Waschen Sie den Deckel (7) und den Kolben (4) mit Warmwasser und einem neutralen Reinigungsmittels, spülen und trocknen Sie sie ab.
- Die Flasche (4) und der Vakuumdeckel (3) können in der Geschirrspülmaschine gespült werden.
- Waschen Sie die Messereinheit (5) (nur von der Messerseite) mit Warmwasser und einem neutralen Reinigungsmittel, spülen und trocknen Sie sie ab.
- Bereiten Sie den Vakuumdeckel (3) für den Gebrauch gemäß den Tabellenempfehlungen vor.
- Wischen Sie das Motoreinheitsgehäuse (6) und die Vakuumpumpe (2) mit einem weichen, leicht angefeuchteten Tuch ab, danach trocknen Sie es ab.
- Zum Reinigen des Motoreinheitsgehäuses (6) und die Vakuumpumpe (2) und der abnehmbaren Teile dürfen keine Schleifreinigungs- und Lösungsmittel verwendet werden.

- Es ist nicht gestattet, das Standmixergehäuse (5), das Netzkabel und den Netzstecker ins Wasser oder jegliche andere Flüssigkeiten einzutauchen.

AUFBEWAHRUNG

- Bevor das Gerät zur Aufbewahrung wegzunehmen, lassen Sie es reinigen.
- Bewahren Sie das Gerät an einem trockenen, kühlen und für Kinder und behinderte Personen unzugänglichen Ort auf.

LIEFERUMFANG

1. Standmixer – 1 Stk.
2. Messereinheit – 1 Stk.
3. Kolben – 1 Stk.
4. Deckel – 1 Stk.
5. Schutzhülle deckel – 1 Stk.
6. Vakuumdeckel – 1 Stk.
7. Vakuumpumpe – 1 Stk.
8. USB-Kabel – 1 Stk.
9. Bedienungsanleitung – 1 St.

TECHNISCHE EIGENSCHAFTEN

- Stromversorgung: 220-240 V ~ 50/60 Hz
- Nennleistungsaufnahme: 300 W
- Kolbenfassungsvermögen: - 0,6 Liter
- Maximalbetriebszeit: - 1 Minute

ENTSORGUNG



Um möglichen Schaden für die Umwelt oder die menschliche Gesundheit durch unkontrollierte Abfallentsorgung zu vermeiden, werfen Sie das Gerät und die Batterien (falls mitgeliefert) nach Beendigung ihrer Nutzungsdauer

zusammen mit gewöhnlichen Haushaltsabfällen nicht weg, geben Sie das Gerät und die Batterien in die Spezialpunkte für weitere Entsorgung über.

Die bei der Entsorgung der Erzeugnisse entstehenden Abfälle sind unbedingt zu sammeln und weiter ordnungsmäßig zu entsorgen.

Mehrere Information zur Entsorgung dieses Produkts erhalten Sie bei Ihrer lokalen Stadtverwaltung, einem Abfallentsorgungsdienst oder beim Geschäft, wo Sie dieses Produkt gekauft haben.

Der Hersteller behält sich das Recht vor, das Design, die Konstruktion und die das gemeine Gerätebetriebsprinzip nicht beeinflussenden technischen Eigenschaften ohne Vorbenachrichtigung zu verändern.

Die Gerätenutzungsdauer beträgt 3 Jahre

Das Herstellungsdatum ist in der Fabrikationsnummer angegeben.

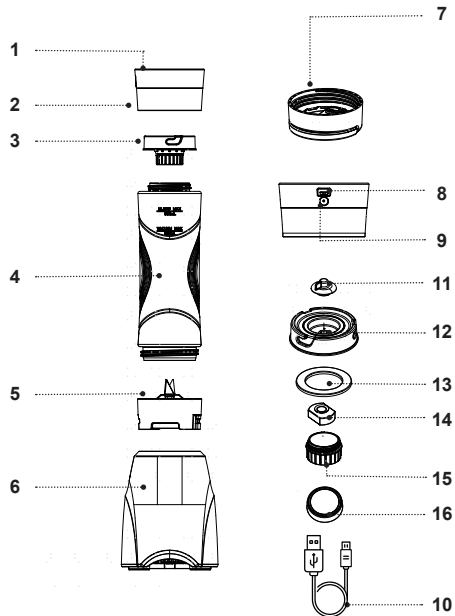
Bei Störungsfeststellung wenden Sie sich baldigst an einen autorisierten Kundendienst.

БЛЕНДЕР BR1202

Блендер предназначен для приготовления овощных или фруктовых смесей. Вакуумная крышка, входящая в комплект поставки, предназначена для более длительного хранения приготовленной смеси, используя крышку с клапаном, Вы можете взять приготовленную в бутылке смесь с собой и употребить её в любое время.

ОПИСАНИЕ

1. Кнопка включения вакуумного насоса « ⏻ »
2. Вакуумный насос
3. Вакуумная крышка
4. Бутылка
5. Блок ножей
6. Моторный блок
7. Крышка с клапаном
8. Гнездо для подключения USB шнура
9. Индикатор зарядки аккумуляторной батареи
10. Шнур USB
11. Обратный клапан
12. Корпус вакуумной крышки
13. Уплотнительная прокладка
14. Вакуумный клапан
15. Корпус вакуумного клапана
16. Защитная крышка



МЕРЫ БЕЗОПАСНОСТИ И РЕКОМЕНДАЦИИ ПО ЭКСПЛУАТАЦИИ

Перед использованием устройства внимательно ознакомьтесь с руководством по эксплуатации, после прочтения сохраните его для использования в будущем.

- Используйте устройство только по его прямому назначению, как изложено в данной инструкции.
- Неправильное обращение с устройством может привести к его поломке, причинению вреда пользователю или его имуществу и не является гарантийным случаем.
- Убедитесь, что рабочее напряжение устройства, указанное на этикетке, соответствует напряжению электросети.

ВНИМАНИЕ! Время непрерывной работы не должно превышать 1 минуту, между рабочими циклами делайте перерыв не менее 5 минут.

- Запрещается использовать устройство вне помещений.
- Не рекомендуется использовать устройство во время грозы.
- Устанавливайте и используйте устройство на ровной, сухой и устойчивой поверхности.
- Оберегайте устройство от ударов, падений, вибраций и иных механических воздействий.

- Не оставляйте устройство, включённое в сеть, без присмотра.
- Не используйте устройство в непосредственной близости от нагревательных приборов, источников тепла или открытого пламени.
- Запрещается использовать устройство в местах, где используются или распыляются аэрозоли, а также вблизи от легко воспламеняющихся жидкостей.
- Не используйте устройство вблизи от кухонной раковины, в ванных комнатах, около бассейнов или других ёмкостей, наполненных водой.
- Если устройство упало в воду, немедленно выньте вилку шнура питания из электрической розетки, и только после этого можно достать устройство из воды. Обратитесь в сервисный центр для осмотра или ремонта устройства.
- Не допускайте, чтобы шнур питания свешивался с края стола, касался горячих поверхностей и острых кромок мебели.
- Отключайте устройство от электросети после использования или перед чисткой. При отключении устройства от электрической сети держите за вилку шнура питания и аккуратно выньте её из электрической розетки, не тяните за шнур питания – это может привести к его повреждению и вызвать короткое замыкание.
- Не прикасайтесь к корпусу устройства, к шнуру питания и к вилке шнура питания мокрыми руками.

- Перед первым использованием устройства тщательно промойте все съёмные детали, которые будут контактировать с продуктами.
- Используйте только детали, которые входят в комплект поставки.
- Перед включением устройства убедитесь, что блок ножей и бутылка установлены правильно и зафиксированы.
- Помещайте продукты в бутылку до включения устройства, запрещается включать устройство, если в бутылке нет продуктов.
- Охлаждайте горячие продукты прежде, чем поместить их в бутылку.
- Следите за количеством продуктов, помещённых в бутылку и уровнем налитых жидкостей.
- Режущие кромки блока ножей острые и представляют опасность, обращайтесь с блоком ножей осторожно.
- Если во время работы произошла остановка вращения блока ножей, выньте вилку шнура питания из электрической розетки, снимите бутылку, снимите блок ножей и удалите продукт, мешающий вращению блока ножей. Всегда добавляйте в бутылку достаточное количество воды или сока.
- Снимать бутылку с моторного блока можно только после отключения моторного блока от электрической сети.
- Запрещается помещать бутылку в микроволновую печь.
- Не помещайте съёмные детали блендера в посудомоечную машину.

- Перед использованием вакуумной крышки, проверьте правильность её сборки и правильность установки на бутылке блендера.
- Следите за объёмом жидкости в бутылке блендера, при использовании вакуумной крышки, объём жидкости не должен превышать 500 мл.
- Запрещается включать вакуумный насос, если бутылка блендера перевернута вниз, если при работе блендера наблюдается сильная вибрация бутылки, если бутылка наклонена на бок.
- Никогда не открывайте обратный клапан, если бутылка перевернута вниз.
- Из соображений безопасности детей не оставляйте полиэтиленовые пакеты, используемые в качестве упаковки, без надзора.

Внимание! Не разрешайте детям играть с полиэтиленовыми пакетами или упаковочной плёнкой.
Опасность удушья!

- Устройство не предназначено для использования детьми.
- Осуществляйте надзор за детьми, чтобы не допустить использования устройства в качестве игрушки.
- Не разрешайте детям прикасаться к рабочей поверхности, к корпусу устройства, к шнуру питания или к вилке шнура питания во время работы устройства.

- Будьте особенно внимательны, если поблизости от работающего устройства находятся дети или лица с ограниченными возможностями.
- Во время работы и в перерывах между рабочими циклами размещайте устройство в местах, недоступных для детей.
- Прибор не предназначен для использования лицами (включая детей) с пониженными физическими, психическими или умственными способностями, или при отсутствии у них опыта или знаний, если они не находятся под контролем или не проинструктированы лицом, ответственным за их безопасность, об использовании прибора.
- Периодически проверяйте целостность шнура питания.
- При повреждении шнура питания его замену, во избежание опасности, должны производить изготовитель, сервисная служба или подобный квалифицированный персонал.
- Запрещается самостоятельно ремонтировать устройство. Не разбирайте устройство самостоятельно, при возникновении любых неисправностей, а также после падения устройства отключите его от электросети и обратитесь в сервисный центр.
- Во избежание повреждений перевозите устройство в заводской упаковке.
- Храните устройство в сухом прохладном месте, недоступном для детей и людей с ограниченными возможностями.

УСТРОЙСТВО ПРЕДНАЗНАЧЕНО ТОЛЬКО ДЛЯ БЫТОВОГО ИСПОЛЬЗОВАНИЯ, ЗАПРЕЩАЕТСЯ ИСПОЛЬЗОВАТЬ УСТРОЙСТВО В КОММЕРЧЕСКИХ ИЛИ ЛАБОРАТОРНЫХ ЦЕЛЯХ.

ПЕРЕД ПЕРВЫМ ИСПОЛЬЗОВАНИЕМ

После транспортировки или хранения устройства при отрицательной температуре, распакуйте его и подождите не менее 3 часов перед использованием.

- Распакуйте устройство и удалите все упаковочные материалы.
- Сохраните заводскую упаковку.
- Ознакомьтесь с мерами безопасности и рекомендациями по эксплуатации.
- Проверьте комплектацию.
- Осмотрите устройство на наличие повреждений, при наличии повреждений не включайте его в электрическую сеть.
- Убедитесь, что указанные параметры напряжения питания устройства соответствуют параметрам электрической сети. При использовании устройства в электрической сети частотой 60 Гц, никаких дополнительных действий не требуется.
- Промойте крышку (7), защитную крышку (16) и бутылку (4) тёплой водой с нейтральным моющим средством, ополосните и просушите.
- Промойте блок ножей (5) (только со стороны ножей) тёплой водой с нейтральным моющим средством, ополосните и просушите.

- Режущие кромки блока ножей (5) острые и могут представлять опасность, обращайтесь с блоком ножей (5) осторожно.
- Корпус моторного блока (6) протрите мягкой, слегка влажной тканью, после чего вытрите насухо.
- Запрещается погружать устройство, шнур питания и вилку шнура питания в воду или любые другие жидкости.

Зарядка аккумуляторной батареи вакуумного насоса (2)


Вакуумный насос предназначен для выкачивания воздуха из бутылки блендера (4).



- Для зарядки аккумуляторной батареи вставьте разъём мини USB в гнездо для зарядки (8).
- Разъём USB вставьте в гнездо сетевого адаптера (не входит в комплект поставки).
- Сетевой адаптер должен соответствовать следующим параметрам:
 - Электропитание: 110-240В~50/60 Гц
 - Выходное напряжение: 5V 1000 мА
- Вставьте сетевой адаптер в электрическую розетку, при этом загорится красным цветом индикатор (9), когда аккумуляторная батарея зарядится, индикатор (9) загорится зелёным цветом.
- Выньте сетевой адаптер из электрической розетки, выньте разъём шнура USB из гнезда (8).

Подготовка вакуумной крышки (3)

Вакуумная крышка (3) предназначена для более длительного хранения приготовленной смеси в бутылке (4) блендера.

- Перед использованием вакуумной крышки (3) необходимо убедиться в её чистоте и при необходимости провести её чистку см. таблицу.

Инструкция по подготовке и проверке вакуумной крышки и вакуумного клапана.	
	Шаг 1: Снимите вакуумную крышку (3) в сборе с бутылки (4), поворачивая его против часовой стрелки.
	Шаг 2: Открутите корпус (15) вакуумного клапана (14), поворачивая его против часовой стрелки.
	Шаг 3: Убедитесь в отсутствии капель жидкости или посторонних частиц на внутренней поверхности или на вакуумном клапане (14). Промойте детали и просушите их.

	Шаг 4: Установите вакуумный клапан (14) в корпус (15) и закрутите корпус (15) по резьбе, поворачивая по часовой стрелке.
	Шаг 5: Установите вакуумную крышку (3) в сборе на бутылку (4), и закрутите по резьбе, поворачивая её по часовой стрелке.

ИСПОЛЬЗОВАНИЕ БЛЕНДЕРА

Блендер используется для приготовления овощных или фруктовых смесей.

ВНИМАНИЕ! Время непрерывной работы блендера не должно превышать 1 минуту, после чего сделайте перерыв в работе не менее 5 минут.

Примечание: при первом включении устройства возможно появление постороннего запаха от электромотора - это допустимо и не является гарантийным случаем.

- Установите блендер на ровной, сухой и устойчивой поверхности.

Примечания:

- блендер не предназначен для измельчения твёрдых и замороженных продуктов, измельчения мяса и мясных продуктов.

- объём перерабатываемых продуктов не должен превышать 2/3 от объёма бутылки (4).

- перед началом измельчения/смешивания рекомендуется очистить фрукты или овощи от кожуры, удалить косточки, и порезать фрукты или овощи кубиками размером 1x1x1 см.

Примечание: всегда добавляйте в бутылку (4) необходимое количество воды или сока.

ВНИМАНИЕ!

Лучшее соотношение при переработке продуктов: 2 объёма фруктов к 3 объёмам воды или сока.

При приготовлении смесей их общий объём не должен превышать 600 мл.

Если Вы предполагаете использовать вакуумную крышку (3), предназначенную для более длительного хранения приготовленной смеси, то максимальный объём не должен превышать 500 мл.

- Установите блок ножей (5) в бутылку (4) и поворачивайте блок ножей (5) против часовой стрелки (левая резьба). Не прилагайте чрезмерное усилие при закручивании блока ножей (5).
- Еще раз убедитесь, что блок ножей (5) установлен правильно.
- Поместите необходимые ингредиенты в бутылку (4) и добавьте необходимое количество жидкости.

- На верхнюю часть бутылки (4) установите вакуумную крышку (3) в сборе и закрутите её по резьбе, поворачивайте по часовой стрелке, не прилагайте чрезмерное усилие при закручивании крышки (3).
- Установите на вакуумную крышку (3) защитную крышку (16) и поверните её по часовой стрелке до упора.
- Совместите метку «▼» на бутылке (4) с меткой «▲» на моторном блоке (6), вставьте бутылку (4) в корпус моторного блока (6), поверните бутылку (4) по часовой стрелке до упора, убедитесь в надёжной фиксации бутылки (4).
- Перед включением блендера, определитесь, как в дальнейшем будет использоваться приготовленная смесь – смесь будет использована сразу или помещена в холодильник на хранение.

1. Использование переработанных продуктов:

- вставьте вилку шнура питания в электрическую розетку, блендер включится;
- не превышайте рекомендованное время работы блендера и после измельчения продуктов, выньте вилку шнура питания из электрической розетки;
- поверните бутылку (4) против часовой стрелки и снимите её с моторного блока (6);
- переверните бутылку (4) и снимите блок ножей (5) поворачивая их по часовой стрелке;
- извлеките из бутылки (4) переработанные продукты;

- если Вы предполагаете взять бутылку (4) с собой, переверните бутылку (4) и снимите блок ножей (5), поворачивая их по часовой стрелке, установите на бутылку (4) крышку (7), поворачивая её против часовой стрелки, при использовании крышки (7), откройте клапан, налейте необходимое количество продукта, закройте клапан.

Примечание: Вы можете не снимать вакуумный насос (2) с крышки (3) и после употребления продукта, перевернуть бутылку (4) и нажать кнопку (7) для создания в колбе (4) вакуума, тем самым обеспечится лучшее условие для хранения продукта.

- После снятия блока ножей (5) промойте их (только со стороны ножей) и просушите.

ВНИМАНИЕ: Режущие кромки блока ножей (5) острые и представляют опасность. Обращайтесь с блоком ножей (5) осторожно.

2. Хранение переработанных продуктов в бутылке (4)

ВНИМАНИЕ!

Если Вы предполагаете использовать вакуумную крышку (3), предназначенную для более длительного хранения приготовленной смеси, то максимальный объём не должен превышать 500 мл.

Перед использованием вакуумной крышки (3), проверьте правильность её сборки и правильность установки на бутылке (4) блендера.

Запрещается включать вакуумный насос (2), если бутылка блендера (4) перевернута вниз, если при работе блендера наблюдается сильная вибрация бутылки (4), если бутылка (4) наклонена на бок.

Если вы случайно наклонили бутылку более чем на 90 градусов, вакуумный насос автоматически выключится.

Никогда не открывайте обратный клапан (11), если бутылка (4) перевернута вниз.

- нажмите кнопку (7) « ⓪ », вакуумный насос включится приблизительно на 1 минуту (время работы насоса зависит от количества ингредиентов, помещенных в бутылку (4));

Примечание: ограничивайте время работы вакуумного насоса, после 3 минут работы, необходимо сделать перерыв не менее 30 минут.

- для проверки вакуума в бутылке (4), снимите вакуумный насос (2) и потяните за обратный клапан (11), если Вы услышите звук входящего в бутылку (4) воздуха, это означает что вакуумная крышка (3) исправна, установите на крышку (3) вакуумный насос (2) и включите его ещё раз, нажав на кнопку (1) « ⓪ ».

- снимите вакуумный насос (2), повернув его против часовой стрелки;

- установите вместо вакуумного насоса (2) защитную крышку (16) и поверните её по часовой стрелке;
- вставьте вилку шнура питания в электрическую розетку, блендер включится;
- не превышайте рекомендованное время работы блендера и после измельчения продуктов, выньте вилку шнура питания из электрической розетки;
- поверните бутылку (4) против часовой стрелки и снимите её с моторного блока (6);
- уберите бутылку (4) в холодильник на хранение;

Примечание: вакуум, созданный в бутылке (4) увеличивает срок хранения переработанных продуктов, но не безгранично, поэтому перед употреблением продукта, внимательно осмотрите его и при признаках порчи, не употребляйте в пищу.

- перед снятием вакуумной крышки (3), необходимо обеспечить поступление воздуха в бутылку (4) снимите защитную крышку (16), повернув её против часовой стрелки, потяните за обратный клапан (11), воздух будет поступать в бутылку (4);
- снимите вакуумную крышку (3) поворачивая её против часовой стрелки, извлеките продукты из бутылки (4);

ЧИСТКА И УХОД

- После использования блендера выньте вилку шнура питания из электрической розетки.

- Промойте крышку (7), защитную крышку (16) и бутылку (4) тёплой водой с добавлением нейтрального моющего средства, ополосните и просушите.
- Бутылку (4) и вакуумную крышку (3) можно помещать в посудомоечную машину.
- Промойте блок ножей (5) (только со стороны ножей) тёплой водой с нейтральным моющим средством, ополосните и просушите.
- Согласно рекомендациям, приведённым в таблице, подготовьте вакуумную крышку (3) к использованию.
- Корпус моторного блока (6) и вакуумную помпу (2) протрите мягкой, слегка влажной тканью, после чего вытрите насухо.
- Запрещается для чистки корпуса вакуумной помпы (2), моторного блока (6) и съёмных деталей использовать абразивные чистящие средства или растворители.
- Запрещается погружать корпус вакуумной помпы (2), моторного блока (6), шнур питания и вилку шнура питания в воду или любые другие жидкости.

ХРАНЕНИЕ

- Перед тем, как убрать устройство на хранение, проведите его чистку.
- Храните устройство в сухом прохладном месте, недоступном для детей и людей с ограниченными возможностями.

КОМПЛЕКТ ПОСТАВКИ

1. Блендер настольный – 1 шт.
2. Блок ножей – 1 шт.
3. Бутылка – 1 шт.
4. Крышка – 1 шт.
5. Защитная крышка – 1 шт.
6. Вакуумная крышка – 1шт.
7. Вакуумная помпа – 1 шт.
8. Шнур USB – 1 шт.
9. Инструкция – 1 шт.

ТЕХНИЧЕСКИЕ ХАРАКТЕРИСТИКИ

- Электропитание: 220-240В~50/60 Гц
- Номинальная потребляемая мощность: 300 Вт
- Ёмкость бутылки: 0,6 литра
- Максимальное время работы: 1 минута

УТИЛИЗАЦИЯ



Чтобы предотвратить возможный вред окружающей среде или здоровью людей от неконтролируемой утилизации отходов, после окончания срока службы устройства или элементов питания (если входят в комплект), не выбрасывайте их вместе с обычными бытовыми отходами, передайте прибор и элементы питания в специализированные пункты для дальнейшей утилизации.

Отходы, образующиеся при утилизации изделий,

подлежат обязательному сбору с последующей утилизацией в установленном порядке.

Для получения дополнительной информации об утилизации данного продукта обратитесь в местный муниципалитет, службу утилизации бытовых отходов или в магазин, где Вы приобрели данный продукт.

Производитель сохраняет за собой право изменять дизайн, конструкцию и технические характеристики, не влияющие на общие принципы работы устройства, без предварительного уведомления.

Срок службы устройства – 3 года

Дата производства указана в серийном номере.

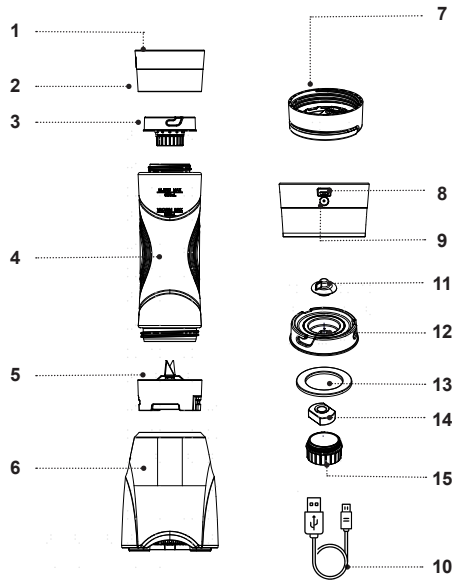
В случае обнаружения каких-либо неисправностей срочно необходимо обратиться в авторизованный сервисный центр

БЛЕНДЕР BR1202

Блендер көкөністердің немесе жемістердің қоспаларын дайындауға арналған. Жеткізілім жинағына кіретін вакуумдық қақпақ дайындалған қоспаны одан да ұзақ сақтауға арналған, қақпақшасы бар қақпақты пайдалана отырып, сіз бөтелкеде дайындалған қоспаны өзіңізбен бірге ала аласыз және оны кез-келген уақытта іше аласыз.

СИПАТТАМАСЫ

1. Вакуумдық сорғышты қосу түймесі « ⏻ »
2. Вакуумдық сорғыш
3. Вакуумдық қақпақ
4. Бөтелке
5. Пышақтар блогы
6. Моторлық блок
7. Қақпақшасы бар қақпақ
8. USB бауды қосуға арналған ұя
9. Аккумуляторлық батареяны қуаттандыру индикаторы
10. USB бауы
11. Кері қақпақша
12. Вакуумдық қақпақтың корпусы
13. Тығыздайтын төсеніш
14. Вакуумдық қақпақша
15. Вакуумдық қақпақшаның корпусы
16. Қорғаныс қақпағы



ҚАУІПСІЗДІК ШАРАЛАРЫ ЖӘНЕ ПАЙДАЛАНУҒА БЕРУ ЖӨНІНДЕГІ НҰСҚАУЛЫҚ

Құралды пайдалану алдында пайдалануға беру жөніндегі нұсқаулықты мұқият оқып шығыңыз, оқыған соң болашақта пайдалану үшін сақтап қойыңыз.

- Құралды осы нұсқаулықта баяндалғандай оның тікелей мақсаты бойынша ғана пайдаланыңыз.
- Құралды дұрыс қолданбау оның бұзылуына, және пайдаланушыға немесе оның мүлкіне зиян келтіруге әкелуі мүмкін және кепілдік жағдайы болып табылмайды.
- Заттаңбада көрсетілген құралдың жұмыс кернеуі электр желісінің кернеуіне сәйкес екеніне көз жеткізіңіз.

НАЗАР АУДАРЫҢЫЗ! Үздіксіз жұмыс ұзақтығы 1 минуттан аспауы керек, жұмыс циклдарының арасында кемінде 5 минут үзіліс жасаңыз.

- Құралды үй-жайдан тыс жерде пайдалануға тыйым салынады.
- Найзағай кезінде құралды пайдалануға кеңес берілмейді.
- Құралды тегіс, құрғақ және тұрақты бетке орналастырыңыз және пайдаланыңыз.
- Құралды соққыдан, құлаудан, дірілден және басқа да механикалық әсерлерден сақтаңыз.

- Желіге қосылған құралды қараусыз қалдырмаңыз.
- Құралды жылу көздерінің, жылыту аспаптарының немесе ашық оттың тікелей жанында пайдаланбаңыз.
- Құралды аэрозольдар пайдаланылатын немесе шашырайтын жерлерде, сондай-ақ тез тұтанатын сұйықтықтарға жақын жерлерде пайдалануға тыйым салынады.
- Құралды ас үй бақалшығына жақын, жуынатын бөлмеде, бассейндер немесе басқа да су толтырылған сыйымдылықтарға жақын жерде пайдаланбаңыз.
- Егер құрал суға құлап кетсе, дереу қуаттандыру бауының айырын электр розеткасынан сурыңыз, содан кейін ғана құралды судан алып шығуға болады. Құралды тексерту немесе жөндету үшін сервис орталығына жүгініңіз.
- Қуаттандыру бауының үстел шетінен салбырауына, ыстық беттерге және жиһаздың өткір жиектеріне тиюіне жол бермеңіз.
- Құралды пайдаланып болғаннан кейін немесе тазалау алдында электр желісінен ажыратыңыз. Құралды электр желісінен ажыратқан кезде тек қуаттандыру бауының айырынан ұстаңыз және оны электр розеткасынан абайлап шығарыңыз, қуаттандыру бауынан тартпаңыз – бұл оның зақымдануына әкелуі және қысқа тұйықталуын тудыруы мүмкін.
- Құрал корпусын, қуаттандыру бауын және қуаттандыру бауының айырын дымқыл қолмен ұстамаңыз.

- Ұсақтағышты алғаш пайдалану алдында өнімдермен түйсетін барлық шешілмелі бөлшектерді жуыңыз.
- Жеткізілім жиынтығына кіретін бөлшектерді ғана пайдаланыңыз.
- Құралды пайдалану алдында пышақтар блогы мен құтының дұрыс орнатылғанына және бекітілгендігіне көз жеткізіңіз.
- Өнімдерді құтыға құралды қосқанға дейін салыңыз, егер ұсақтағыш сыйымдылығы ішінде өнімдер болмаса, құралды қосуға тыйым салынады.
- Ыстық азықтарды құтыға салғанға дейін суытып алу керек.
- Құтыға салынған өнімдер мөлшері мен құйылған сұйықтықтың деңгейін бақылаңыз.
- Пышақтар блогының кесетін жиектері өткір және қауіп тудырады, пышақтарды абайлап қолданыңыз.
- Егер жұмыс кезінде пышақтар блогының айналуы тоқтаса, құралды өшіріңіз, розеткадан желілік баудың айырын шығарыңыз, құтыны, пышақтар блогын шешіңіз және пышақтар блогының айналуына кедергі келтірген өнімді алып тастаңыз. Құтыға қашан да су мен шырынның жеткілікті мөлшерін қосыңыз.
- Мотор блогын электрлік желіден ажыратқаннан кейін ғана құтыны мотор блогынан шешіп алу керек.

- Құтыны қысқа толқынды пешке салуға тыйым салынады.
- Блендердің шешілмелі бөлшектерін ыдыс жуатын машинаға салуға болмайды.
- Вакуумдық қақпақты пайдаланудың алдында оның жинағының дұрыстығын және блендер бөтелкесіне орнатудың дұрыстығын тексеру керек.
- Блендер бөтелкесіндегі сұйықтықтың көлемін байқаңыз, вакуумдық қақпақты пайдаланған кезде сұйықтықтың көлемі 500 мл аспауы керек.
- Егер блендер бөтелкесі төмен қарай аударылған болса, блендер жұмыс істеген кезде бөтелке қатты дірілдесе, бөтелке бүйіріне қарай ауып кетсе болса, онда вакуумдық сорғышты қосуға тыйым салынады.
- Егер бөтелке төмен қарай аударылған болса, ешқашан кері қақпақшаны ашуға болмайды.
- Балалардың қауіпсіздігі үшін қаптама ретінде пайдаланылатын полиэтилен пакеттерді қадағалаусыз қалдырмаңыз.

Назар аударыңыз! Балаларға полиэтилен пакеттерімен немесе қаптама үлдірімен ойнауға рұқсат етпеңіз. **Тұншығу қаупі бар!**

- Құрал балалардың пайдалануына арналмаған.
- Құралды ойыншық ретінде пайдалануға жол бермеу үшін балаларды қадағалаңыз.
- Құрал жұмыс істеп тұрғанда балалардың жұмыс бетіне, құрал корпусына, қуаттандыру бауына не-

месе қуаттандыру бауының айырына қол тигізуіне рұқсат бермеңіз.

- Егер жұмыс істеп тұрған құралдың маңында балалар немесе мүмкіндіктері шектеулі адамдар болса, онда ерекше назарда болыңыз.
- Жұмыс істеу уақытында және жұмыс циклдері арасындағы үзілістерде құралды балалардың қолы жетпейтін жерде орналастырыңыз.
- Дене, жүйке немесе сана мүмкіндіктері төмендетілген тұлғалардың (балаларды қоса алғанда) немесе оларда тәжірибесі немесе білімі болмаса, егер олар бақыланбаса немесе олардың қауіпсіздігі үшін жауап беретін тұлғамен аспапты пайдалану туралы нұсқаулықтар берілген болмаса, аспап олардың пайдалануына арналмаған.
- Қуаттандыру бауының бүтіндігін жүйелі түрде тексеріп отырыңыз.
- Қуаттандыру бауы зақымданғанда қауіп тудырмау үшін оны дайындаушы, сервистік қызмет немесе баламалы білікті маман ауыстыруы тиіс.
- Құралды өздігіңізден жөндеуге тыйым салынады. Құралды өз бетіңізбен бөлшектемеңіз, кез-келген ақаулықтар пайда болған кезде, сондай-ақ құрал құлағаннан кейін оны электр желісінен ажыратыңыз және қызмет көрсету орталығына хабарласыңыз.
- Бұзылуға жол бермеу үшін құралды тек зауыттық ораммен тасымалдаңыз.

- Құралды салқын және құрғақ жерде, балалардың және мүмкіндігі шектеулі адамдардың қолы жетпейтін жерде сақтаңыз.

ҚҰРАЛ ТЕК ТҰРМЫСТЫҚ ПАЙДАЛАНУҒА АРНАЛҒАН, ҚҰРАЛДЫ КОММЕРЦИЯЛЫҚ НЕМЕСЕ ЗЕРТХАНАЛЫҚ МАҚСАТТАРДА ПАЙДАЛАНУҒА ТЫЙЫМ САЛЫНАДЫ.

АЛҒАШ РЕТ ПАЙДАЛУ АЛДЫНДА

Құралды көрі температурада тасымалдағаннан немесе сақтағаннан кейін оны қаптамадан шығарыңыз және пайдаланудың алдында 3 сағаттан кем емес уақыт күтіңіз.

- Құралды қаптамадан шығарыңыз және барлық қаптама материалдарын жойыңыз.
- Зауыттық қаптаманы сақтап қойыңыз.
- Қауіпсіздік шаралары мен пайдалануға беру жөніндегі нұсқауларымен танысыңыз.
- Жинақталымын тексеріңіз.
- Құралды зақымдануға қатысты тексеріп алыңыз, зақымдануы болған жағдайда оны электр желіге қоспаңыз.
- Құралдың көрсетілген қуаттандыру кернеуі параметрлері электр желісінің параметрлеріне сәйкес келетініне көз жеткізіңіз. Құралды 60 Гц жиіліктегі электр желісінде пайдаланған кезде ешқандай қосымша әрекет қажет емес.

- Ыдысты (7), қорғаныс қақпағы (16) және құтыны (4) бейтарап жуу құралы бар жылы сумен жуыңыз, шайыңыз және құрғатыңыз.
- Пышақтар блогын (5) (тек қана пышақ жағынан) бейтарап жуатын құрал қосылған жылы сумен жуыңыз, шайыңыз және кептіріңіз.
- Пышақтар блогының (5) кесетін хиектері өшкір, қауіп тудыруы мүмкін, пышақтар блогын (5) абайлап қолданыңыз.
- Моторлық блоктың корпусын (6) сәл дымқыл жұмсақ матамен сүртіп, артынан құрғатып сүртіңіз.
- Құралды, қуаттандыру бауын және желілік баудың айырын суға немесе кез-келген басқа сұйықтықтарға салуға тыйым салынады.

Вакуумдық сорғыштың (2) аккумуляторлық батареясын қуаттау

Вакуумдық сорғыш блендер бөтелкесінен (4) ауаны сорып алғанға арналған.

- Аккумуляторлық батареяны қуаттау үшін қуаттауға арналған ұяға (8) шағын USB жалғағышын салыңыз.
- USB жалғағышын желілік адаптердің (жеткізілім жинағына кірмейді) ұясына салыңыз.
- Желілік адаптер келесі параметрлерге сәйкес келуі керек:
- Электрлік қуаттандыруы: 110-240В~50/60 Гц
- Шығыс кернеуі: 5V 1000 mA
- Желілік адаптерді электрлік розеткаға салыңыз, осы жерде индикатор (9) қызыл түспен жанады,

аккумуляторлық батарея қуаттанған кезде, индикатор (9) жасыл түспен жанады.

- Желілік адаптерді электрлік розеткадан шығарыңыз, USB бауының жалғағышын ұядан (8) шығарыңыз.

Вакуумдық қақпақты (3) дайындау

Вакуумдық қақпақ (3) дайындалған қоспаны блендер бөтелкесінде (4) айтарлықтай ұзақ уақыт сақтауға арналған.

- Вакуумдық қақпақты (3) пайдалану алдында оның тазалығына көз жеткізу керек және қажет болған кезде оны тазалау керек (кестені қар.).

Вакуумдық қақпақ пен вакуумдық қақпақшаны дайындау және тексеру жөніндегі нұсқаулық	
	1-қадам: Жинақтағы вакуумдық қақпақты (3) бөтелкеден (4) шешіңіз, ол үшін оны сағат тіліне қарсы бұраңыз.
	2-қадам: Вакуумдық қақпақшаны (14) сағат тіліне кері қарай бұрап, оның корпусын (15) бұрап алыңыз.

	3-қадам: Ішкі бетте немесе вакуумдық қақпақшада (14) сұйықтың тамшыларының немесе басқа бөлшектердің жоқ екендігіне көз жеткізіңіз. Бөлшектерді жуып, кептіріңіз.
	4-қадам: Вакуумдық қақпақшаны (14) корпусқа (15) орнатыңыз, сағат тілі бойынша бұрап, корпусы (15) бұранда бойынша бұраңыз.
	5-қадам: Жинақтағы вакуумдық қақпақты (3) бөтелкеге (4) орнатыңыз, оны сағат тілі бойынша бұрап, бұранда бойынша бұраңыз.

БЛЕНДЕРДІ ПАЙДАЛАНУ

- Блендер көкөністердің немесе жемістердің қоспаларын дайындауға арналған.

НАЗАР АУДАРЫҢЫЗ! Блендердің үздіксіз жұмыс істеу уақыты 1 минуттан аспауы керек, содан кейін 5 минуттан кем емес үзіліс жасаңыз.

Ескертпе: құралды бірінші рет қосқан кезде қыздыру элементінен бөтен иістің пайда болуы мүмкін – бұл қалыпты жағдай және кепілдік оқиғасы болып табылмайды.

- Блендерді тегіс, құрғақ және тұрақты бетте орналастырыңыз.

Ескертпелер:

– блендер қатты және қатырылған азықтарды ұсақтауға, ет және ет өнімдерін ұсақтауға арналмаған.

– өндірілетін азықтардың көлемі құтының (4) көлемінің 2/3 бөлігінен аспауы керек.

– ұсақтауды/араластыруды бастаудың алдында жемістердің қабығын ашып, сүйектерін алып тастауға және жемістерді 1x1x1 см өлшемдегі текше етіп кесуге кеңес беріледі.

Ескертпелер: үнемі құтыға (4) су мен шырынның жеткілікті мөлшерін қосыңыз.

НАЗАР АУДАРЫҢЫЗ!

Азықты өңдеген кездегі үздік өзара қатынас: Жемістің 2 көлемі судың немесе шырынның 3 көлеміне тең.

Қоспаларды дайындаған кезде олардың жалпы көлемі 600 мл аспауы керек.

Егер сіз дайындалған қоспаны айтарлықтай ұзақ уақытқа сақтауға арналған вакуумдық қақпақты (3) пайдаланатын болсаңыз, онда максималдық көлем 500 мл аспауы керек.

- Пышақтар блогын (5) бөтелкеге (4) орнатыңыз жне пышақтар блогын (5) сағат тіліне қарсы (сол жақ бұранда) бұраңыз.
- Пышақтар блогын (5) бұрау үшін аса көп күш салмаңыз.

- Пышақтар блогының (5) дұрыс орнатылғанына тағы да көз жеткізіңіз.
- Қажетті ингредиенттерді бөтелкеге (4) салыңыз және сұйықтықтың қажетті көлемін қосыңыз.
- Бөтелкенің (4) жоғарғы бөлігіне жинақтағы вакуумдық қақпақты (3) орнатыңыз және оны бұранда бойынша бұраңыз, сағат тілі бойынша бұраңыз, қақпақты (3) бұраған кезде қатты күш салмаңыз.
- Вакуумдық қақпаққа (3) вакуумдық сорғышты (2) орнатып, оны тірелгенге дейін сағат тілі бойынша бұраңыз.
- Бөтелкедегі (4) «▼» белгісін моторлық блокаға (6) «▲» белгісімен сәйкестендіріңіз, бөтелкені (4) моторлық блоктың (6) корпусына салыңыз, бөтелкені (4) тірелгенге дейін сағат тілі бойынша бұраңыз, бөтелкенің (4) сенімді бекітілгендігіне көз жеткізіңіз.
- Блендерді қосудың алдында дайындалған қоспа ары қарай қалай пайдаланатындығын анықтап алыңыз – қоспа бірден пайдаланылады немесе сақтау үшін тоңазытқышқа салынады.

1. Қайта өңделген азықтарды пайдалану:

– қуаттандыру бауының айырын электрлік розеткаға салыңыз, блендер қосылады;

– блендер жұмысының кеңес берілген уақытынан аспаңыз және азықтарды майдалағаннан кейін қуаттандыру бауының айырын электрлік розеткадан шығарыңыз;

– бөтелкені (4) сағат тіліне қарсы бағытта бұраңыз және оны моторлық блоктан (6) шешіңіз;

– бөтелкені (4) аударып, пышақтар блогын (5) сағат тілі бойынша бұрап, оны шешіңіз;

– бөтелкеден (4) өңделген азықтарды шығарыңыз;

– егер сіз бөтелкені (4) өзіңізбен бірге алғыңыз келсе, бөтелкені (4) бұрап, пышақ блогын (5) сағат тілімен бұрап алыңыз, қақпақты (7) бөтелкеге (4) орнатыңыз, қақпақты қолданған кезде сағат тіліне қарсы бұраңыз. (7) клапанды ашып, өнімнің қажетті мөлшерін құйыңыз, клапанды жабыңыз.

Ескертпе: вакуумдық сорғышты (2) қақпақтан (3) шешуге болмайды, азықты тұтынып болғаннан кейін құтыны (4) аудару және құтыда (4) вакуум жасау үшін түймені (7) басу керек, осы арқылы азықты сақтауға арналған үздік жағдай қамтамасыз етіледі.

- Пышақтар блогын (5) шешкеннен кейін оларды жуыңыз (пышақтар жағынан ғана) және кептіріңіз.

НАЗАР АУДАРЫҢЫЗ: Пышақтар блогының (5) кесетін жүздері өте өткір және қауіп төндіруі мүмкін. Пышақтар блогын (5) абайлап қолданыңыз.

2. Өңделген азықтарды құтыда (4) сақтаңыз

НАЗАР АУДАРЫҢЫЗ!

Егер сіз дайындалған қоспаны айтарлықтай ұзақ уақытқа сақтауға арналған вакуумдық қақпақты

(3) пайдаланатын болсаңыз, онда максималдық көлем 500 мл аспауы керек.

Вакуумдық қақпақты (3) пайдаланудың алдында оның жинағының дұрыстығын және блендер бөтелкесіне (4) орнатудың дұрыстығын тексеру керек.

Егер блендер бөтелкесі (4) төмен қарай аударылған болса, блендер жұмыс істеген кезде бөтелке (4) қатты дірілдесе, бөтелке (4) бүйіріне қарай ауып кетсе болса, онда вакуумдық сорғышты (2) қосуға тыйым салынады.

Егер сіз кездейсоқ бөтелкені 90 артық градусқа еңкейтсеңіз, онда вакуумдық сорғыш автоматты түрде өшеді.

Егер бөтелке (4) төмен қарай аударылған болса, ешқашан кері қақпақшаны (11) ашуға болмайды.

– «⏻» түймені (1) басыңыз, вакуумдық сорғыш шамамен 1 минутқа өшеді (сорғыш жұмысының уақыты бөтелкеге (4) салынған ингредиенттердің көлеміне байланысты);

Ескертпе: вакуумдық сорғыштың жұмыс уақытын шектеңіз, 3 минут жұмыстан кейін 30 минуттан кем емес үзіліс жасау керек.

– бөтелкедегі (4) вакуумды тексеру үшін вакуумдық сорғышты (2) шешіңіз және кері қақпақшаны (11) тартыңыз, егер бөтелкеге (4) кірген ауаның дыбысын

естісеңіз, бұл вакуумдық қақпақтың (3) дұрыстығын білдіреді, қықпаққа (3) вакуумдық сорғышты (2) орнатыңыз және «⏻» түймесін (1) басып, оны тағы да қосыңыз

- сорғышты (2) сағат тіліне қарсы бұрап алыңыз;

- вакуумдық сорғының (2) орнына қорғаныш қақпағын (16) орнатыңыз және сағат тілімен бұраңыз;

– қуаттандыру бауының айырын электрлік розеткаға салыңыз, блендер қосылады;

– блендер жұмысының кеңес берілген уақытынан аспаңыз және азықтарды майдалағаннан кейін қуаттандыру бауының айырын электрлік розеткадан шығарыңыз;

– бөтелкені (4) сағат тіліне қарсы бағытта бұрап, оны моторлық блоктан (6) шешіп алыңыз;

– бөтелкені (4) сақтау үшін тоңазытқышқа алып қойыңыз;

Ескертпе: бөтелкеде (4) жасалған вакуум өңделген азықтарды сақтау мерзімін ұзартады, бірақ шексіз сақтамайды, сондықтан азықты тұтыну алдында оны мұқият тексеріп алыңыз және бұліну белгісі бар болса, тамаққа пайдалануға болмайды.

– вакуумды қақпақты (3) шешпес бұрын, ауа колбаға (4) кіріп, сағат тіліне қарсы бұрап, қорғаныс қақпағын (16) шешіп алыңыз,

– вакуумдық қақпақты (3) сағат тіліне кері қарай бұрап, оны шешіңіз, бөтелкеден (4) азықтарды шығарыңыз

ТАЗАЛАУ ЖӘНЕ КҮТІМ

- Блендерді пайдаланғаннан кейін желі бауының айырын электр розеткадан суырыңыз.
- Қақпақты (7), қорғаныс қақпағы (16) және құтыны (4) бейтарап жуатын құрал қосылған жылы сумен жуыңыз, шайыңыз және кептіріңіз.
- Бөтелке (4) мен вакуумдық қақпақты (3) ыдыс жуатын машинаға салуға болады.
- Пышақтар блогын (4) (тек қана пышақ жағынан) бейтарап жуатын құрал қосылған жылы сумен жуыңыз, шайыңыз және кептіріңіз.
- Кестеде берілген кеңестерге сәйкес вакуумдық қақпақты (3) пайдалануға дайындаңыз.
- Моторлық блоктың корпусын (6) және вакуумдық сорғыны (2) сәл дымқыл жұмсақ матамен сүртіп, артынан құрғатып сүртіңіз.
- Моторлық блоктың корпусын (6) және шешіlmелі блшектерді тазалау үшін абразивтік тазалау құралдары мен еріткіштерді пайдалануға тыйым салынады.
- Моторлық блоктың корпусын (6), қуаттандыру бауын және желілік бау айырын суға немесе кез-келген басқа сұйықтықтарға салуға тыйым салынады.

САҚТАУ

- Құралды сақтауға алып қоярдың алдында оны тазалап алыңыз.

- Құралды салқын және құрғақ жерде, балалардың және мүмкіндігі шектеулі адамдардың қолы жетпейтін жерде сақтаңыз.

ЖЕТКІЗІЛІМ ЖИЫНТЫҒЫ

1. Үстелүстілік блендер – 1 дана.
2. Пышақтар блогы – 1 дана.
3. Құты – 1 дана.
4. Қақпақ – 1 дана.
5. Қорғаныс қақпағы – 1 дана.
6. Вакуумдық қақпақ – 1 дана.
7. Вакуумдық сорғы – 1 дана.
8. USB бауы – 1 дана.
9. Нұсқаулық – 1 дана.

ТЕХНИКАЛЫҚ СИПАТТАМАЛАРЫ

- Электр қуаттандыруы: 220-240 В ~ 50/60 Гц
- Номиналдық тұтыну қуаттылығы: 300 Вт
- Құтының сыйымдылығы: – 0,6 литр
- Максималдық жұмыс уақыты: – 1 минут

КӘДЕГЕ АСЫРУ



Қалдықтардың бақыланбай кәдеге асыруынан қоршаған ортаға немесе адамдардың денсаулығына зиян келтірмеу үшін, құрылғының немесе қуаттандыру элементтерінің (егер жинақталымға кірсе) қызмет ету мерзімі аяқталғаннан кейін оларды әдеттегі тұрмыстық қалдықтармен бірге

тастамаңыз, аспапты және қуаттандыру элементтерін одан әрі кәдеге асыру үшін арнайы пункттерге жіберіңіз.

Бұйымдарды кәдеге асыру кезінде пайда болатын қалдықтар белгіленген тәртіп бойынша келесі кәдеге асырылатын тәртіппен міндетті түрде жинауға жатады.

Берілген өнімді кәдеге асыру туралы қосымша ақпаратты алу үшін жергілікті муниципалитетке, тұрмыстық қалдықтарды кәдеге асыру қызметіне немесе өзіңіз осы өнімді сатып алған дүкенге жүгініңіз.

Өндіруші алдын-ала ескертусіз, құралдың дизайнын, конструкциясы мен оның жалпы жұмыс ұстанымдарына әсер етпейтін техникалық сипаттамаларын өз-герту құқығын өзіне қалдырады.

Құралдың қызмет ету мерзімі – 3 жыл

Өндірілген күні сериялық нөмірде көрсетілген.

Қандай да бір ақаулықтар табылған жағдайда дереу авторландырылған сервистік орталыққа жүгіну керек.

Hergestellt für «Ruste GmbH»,
Berggasse 18/18, 1090 Wien,
Österreich

Produced for «Ruste GmbH»,
Berggasse 18/18, 1090 Vienna, Austria

Изготовлено по заказу Русте Гмбх,
Бергассе 18/18, 1090 Вена, Австрия

Уполномоченное изготовителем
лицо: ООО «Грантэл»
143912, МО, г. Балашиха,
ш. Энтузиастов, вл. 1А
т.: +7 (495) 297-50-20,
e-mail: info@brayer.su

Made in China/Произведено в Китае

brayer.su

