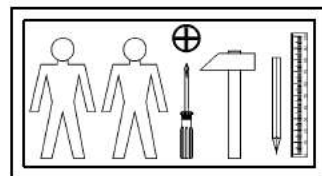
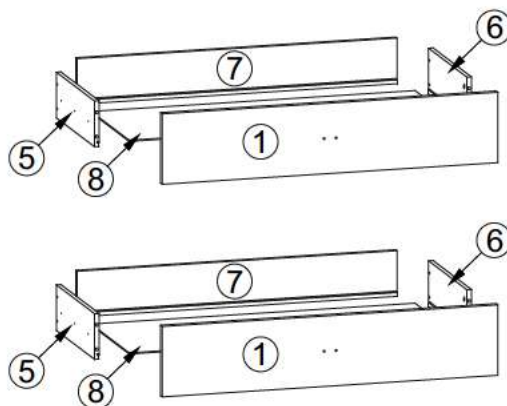
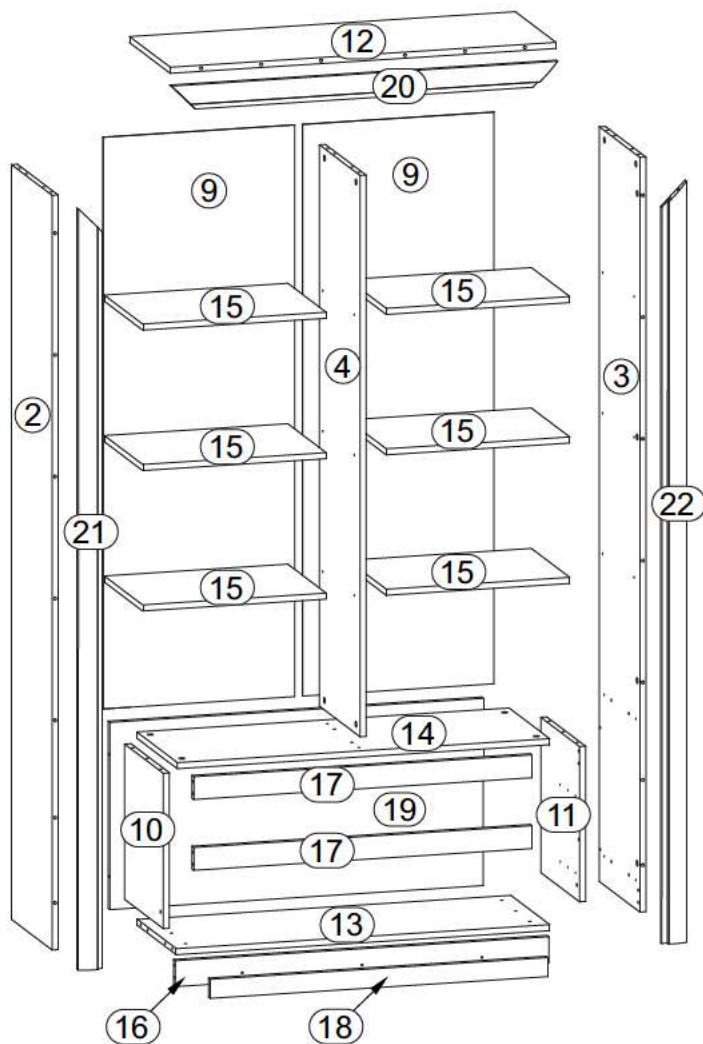
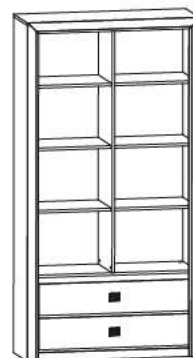


КОЕШ II

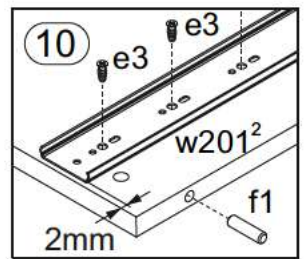
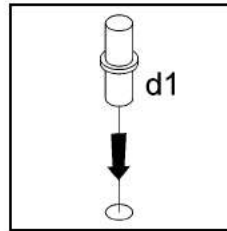
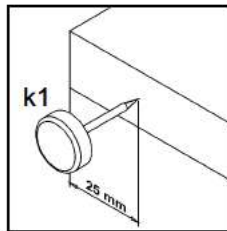
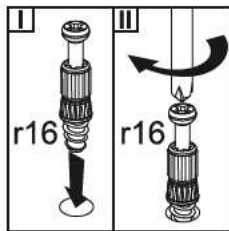
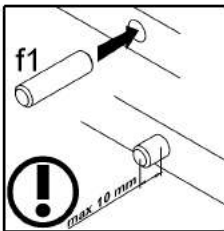
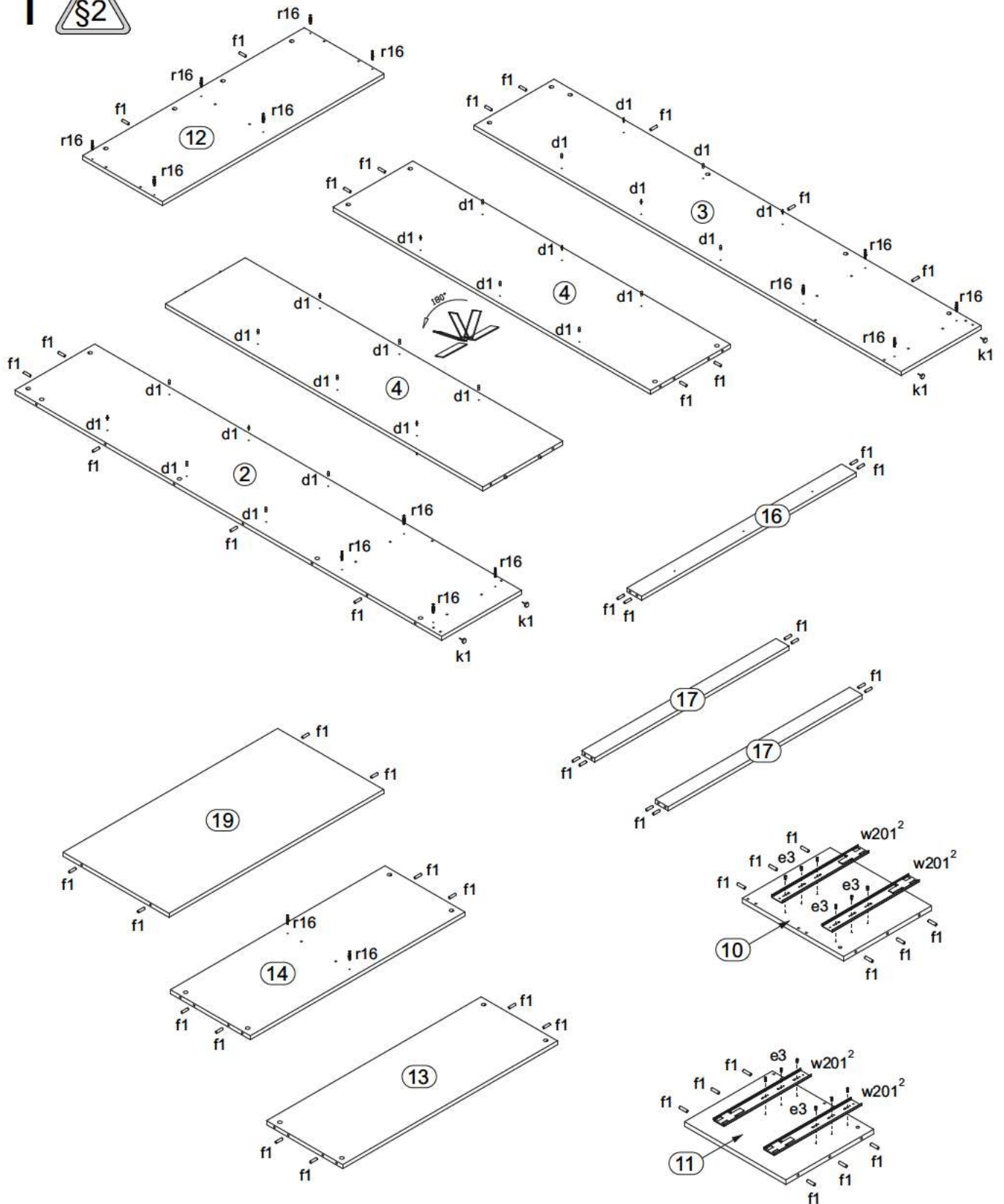
REG2D2S (корпус)
REG2W2S (корпус)
REG2S(N) (корпус)

A	B	C	D	A	B	C	D		
1	S136 0043	896	185	4/4	12	S136 210	1030	371	2/4
2	S136 174	1983	371	1/4	13	S136 337	997	354	2/4
3	S136 175	1983	371	1/4	14	S136 338	997	371	2/4
4	S136 178	1475	371	1/4	15	S136 339	490	350	2/4
5	S136 5511	350	120	1/4	16	S136 401	997	68	2/4
6	S136 5512	350	120	1/4	17	S136 402	903	60	2/4
7	S136 5571	845	120	2/4	18	S136 403	901	50	2/4
8	S136 936	860	348	1/4	19	S136 5569	997	492	2/4
9	S136 927	1502	511	1/4	20	S136 573	1031	65	3/4
10	S136 1114	408	354	2/4	21	S136 571	2000	65	3/4
11	S136 1115	408	354	2/4	22	S136 572	2000	65	3/4

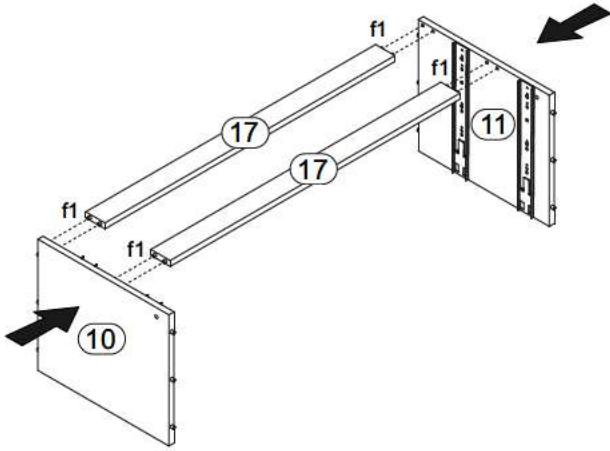


2x c317	24x φ5x17 mm d1	12x φ6x13 mm e3	8x φ5x50 mm e32	54x φ8x30 mm f1	4x M4x22 mm j30	6x k1
96x l1	1x n26\1	4x φ3,5x16 mm p25	1x φ3,5x16 mm p38	3x φ4x28 mm p94	12x φ3,5x12 mm p140	40x φ15x12mm #16 r1
2x r10	36x 20/9 r16	20x φ16 s2	2x 333 mm t19	4x 350 mm w201 ¹	4x 350 mm w201 ²	

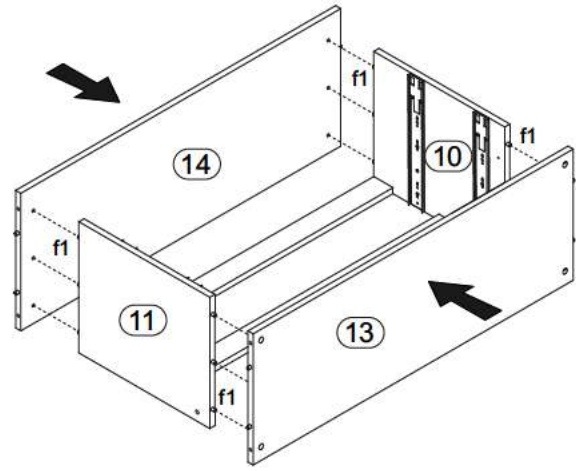
1



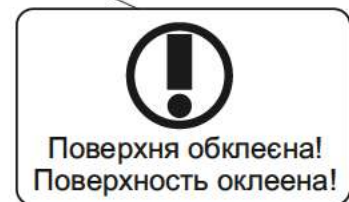
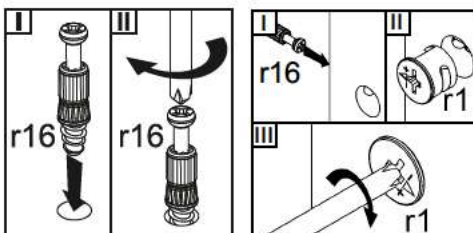
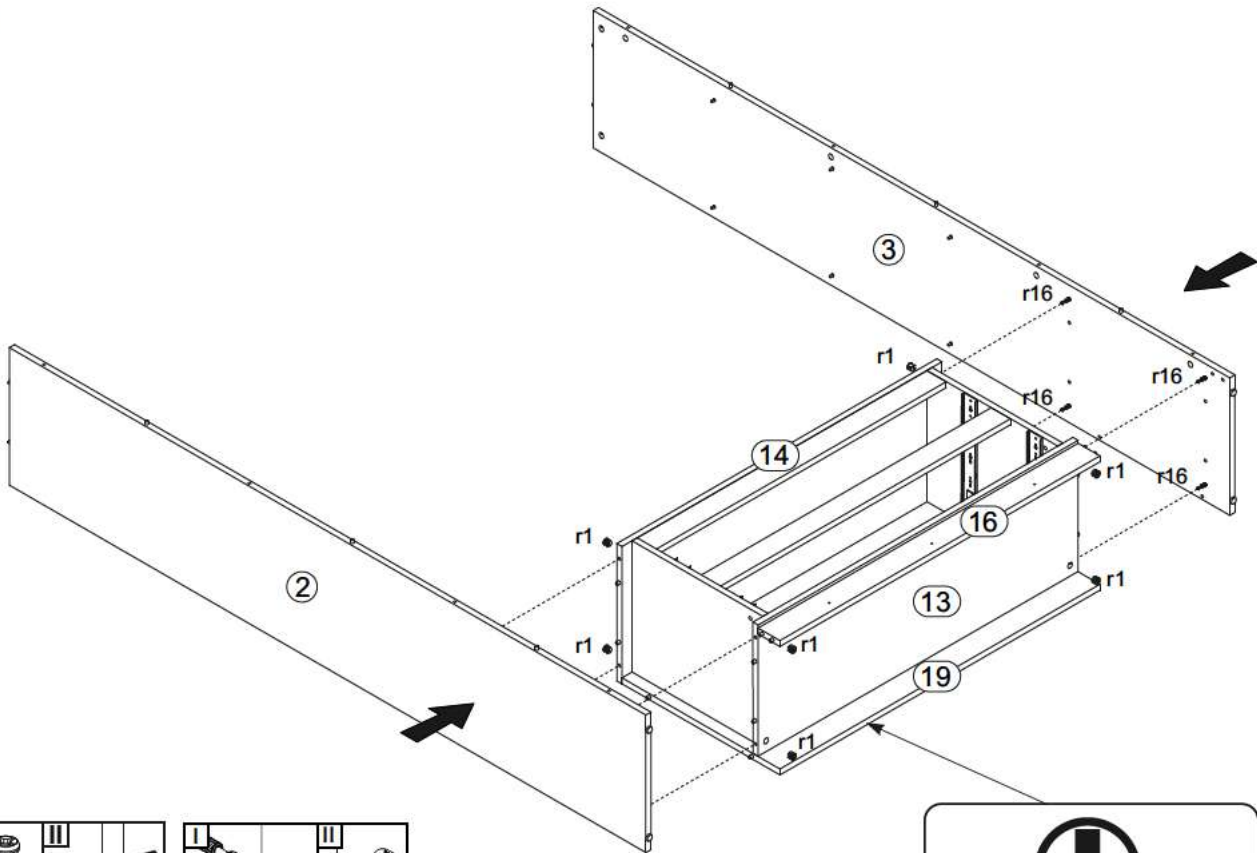
2



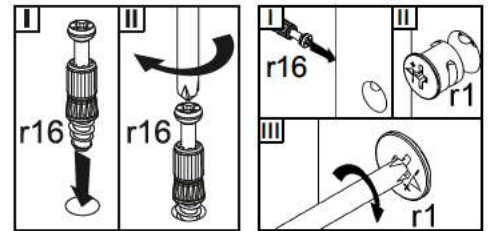
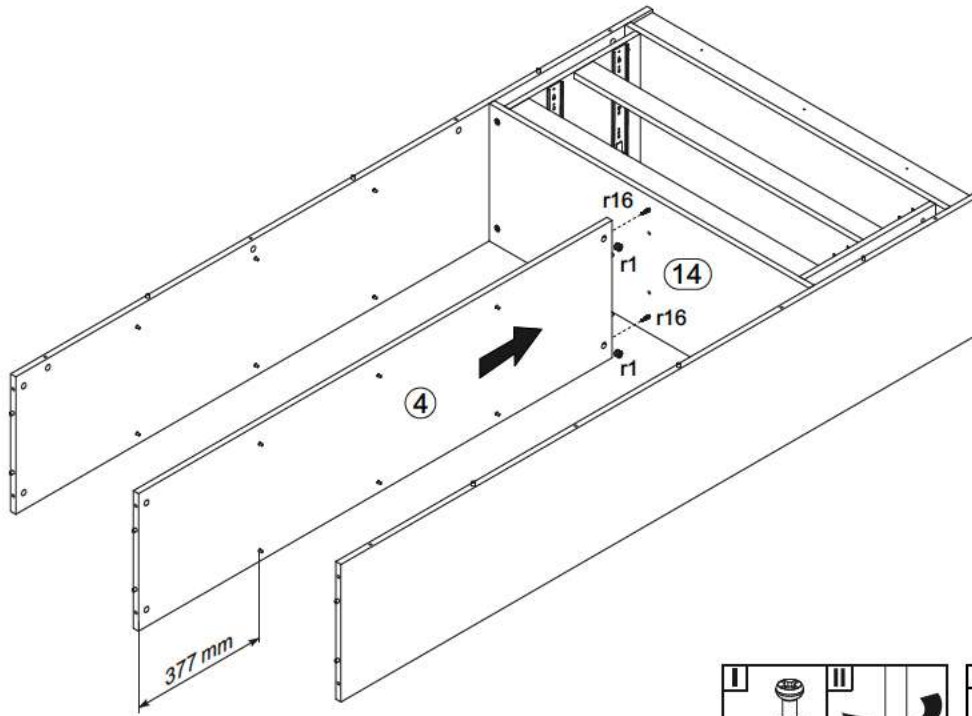
3



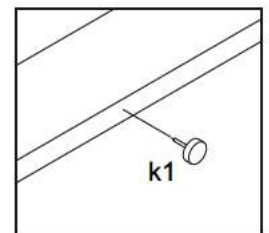
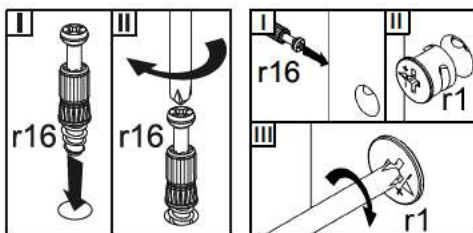
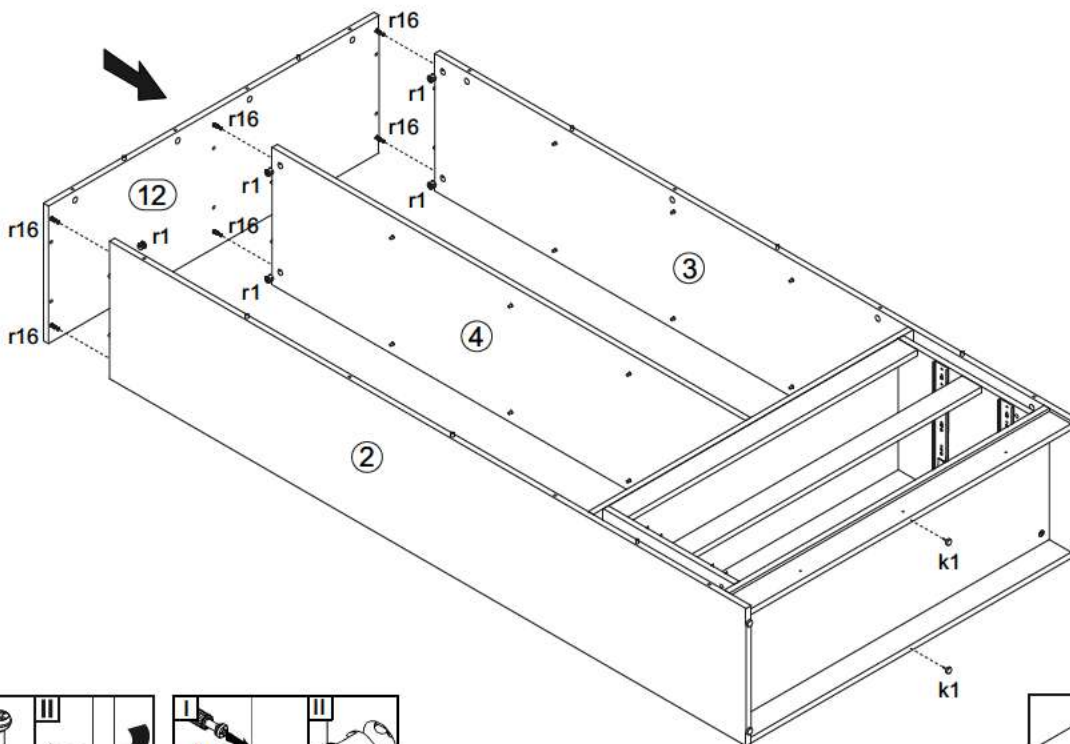
4



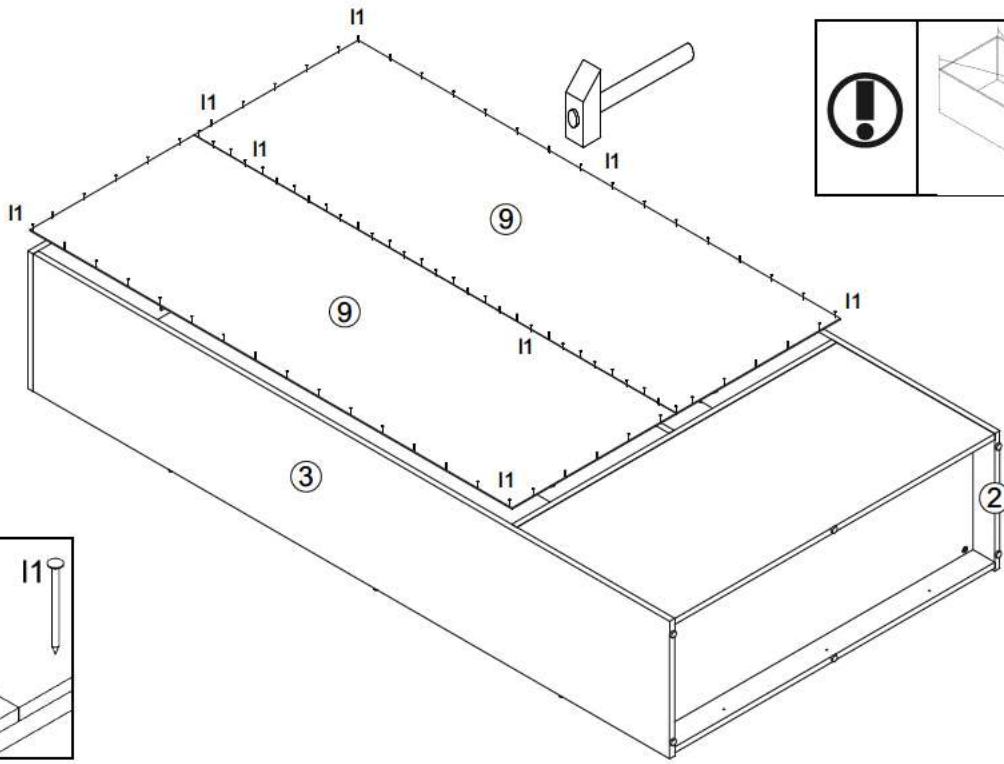
5



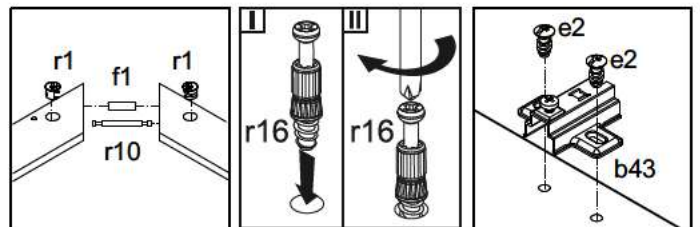
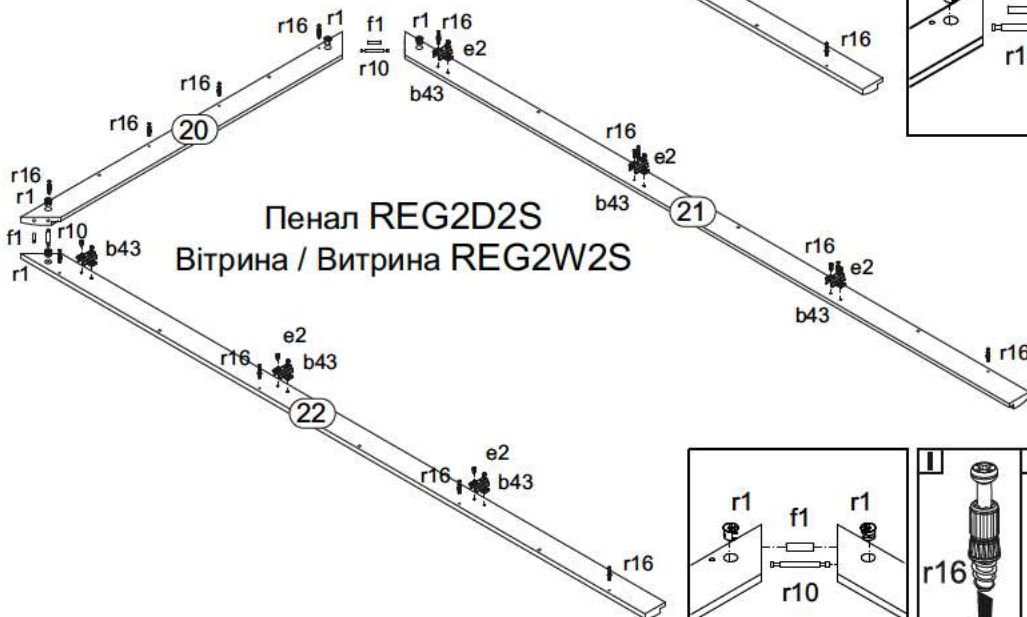
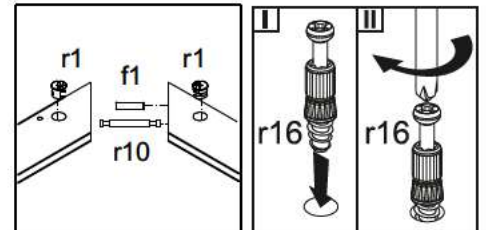
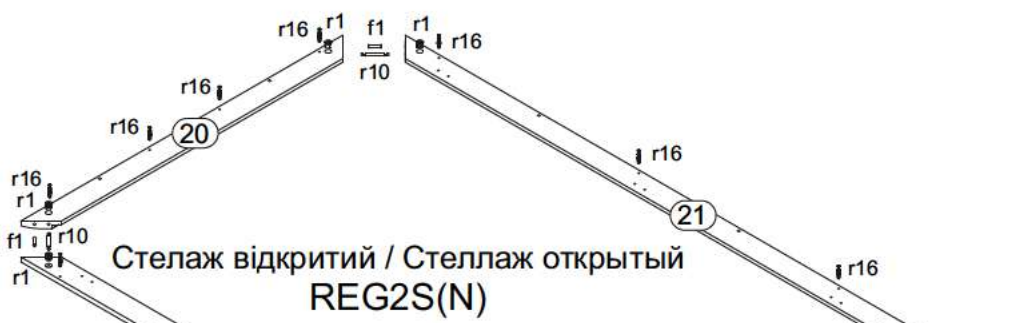
6



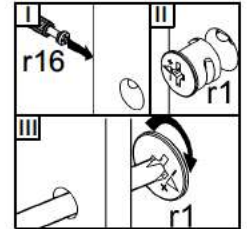
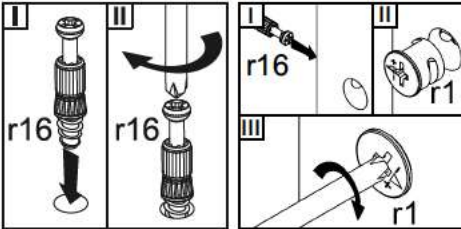
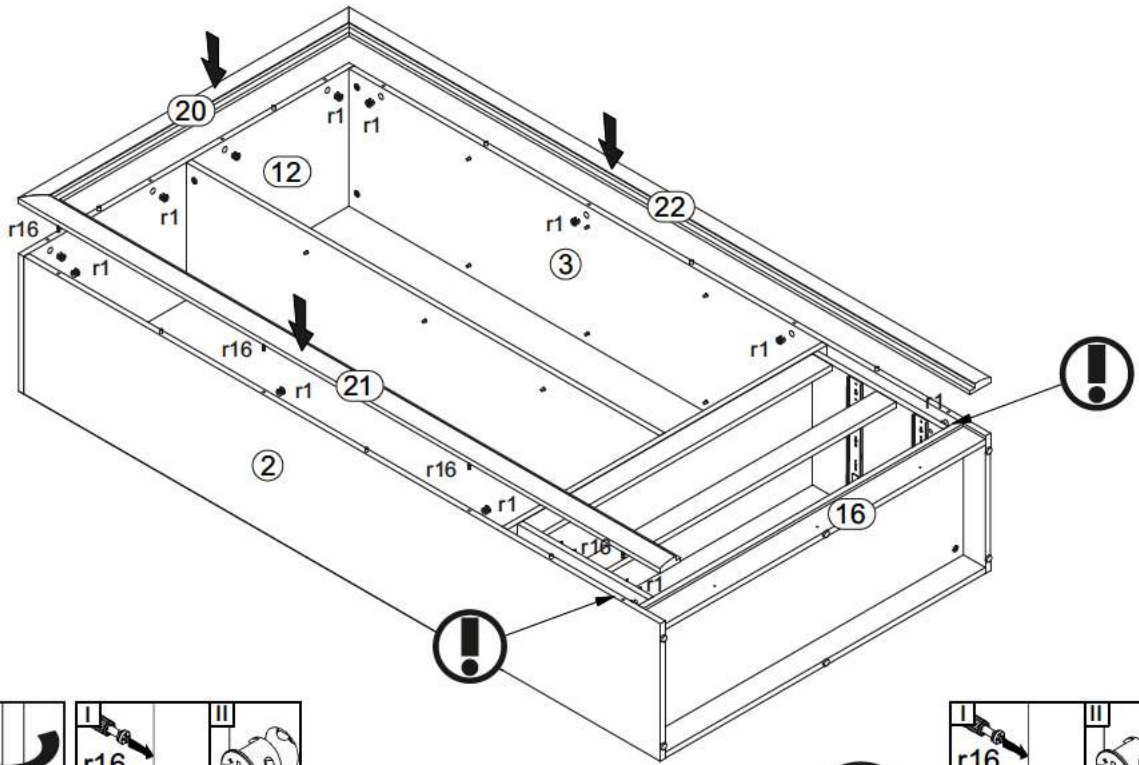
7



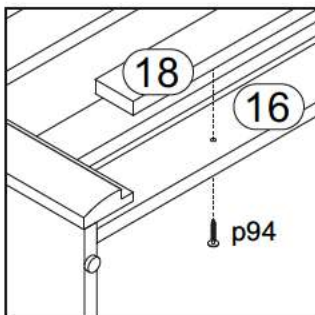
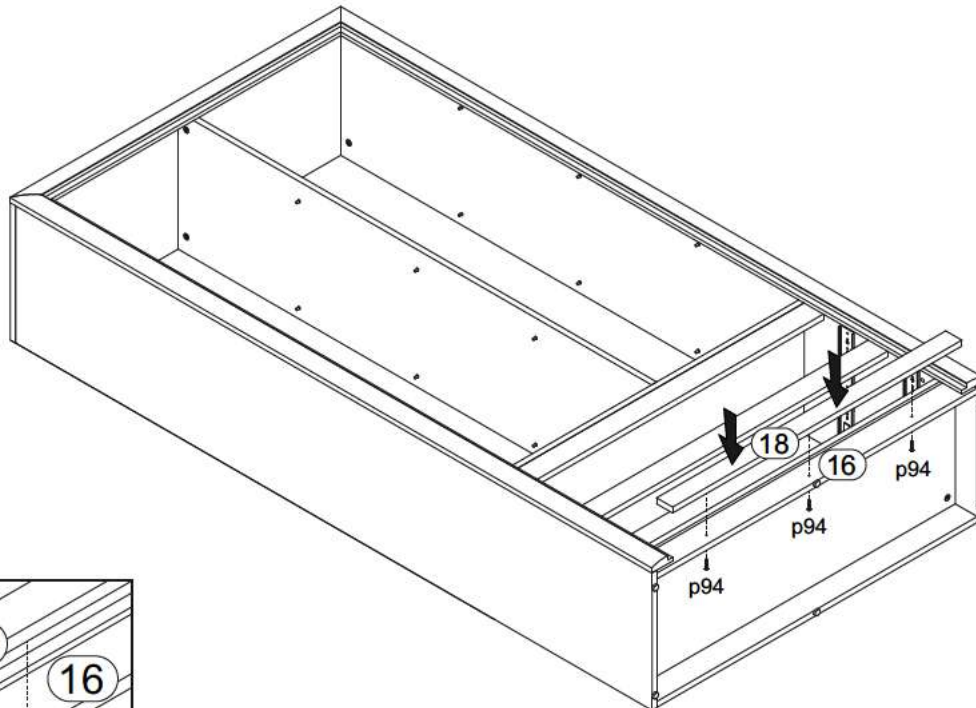
8



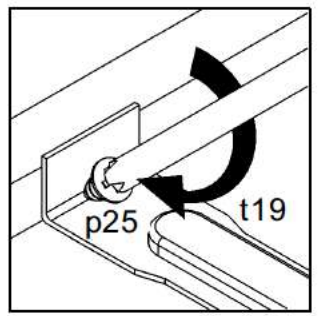
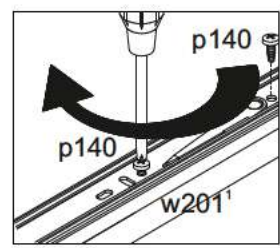
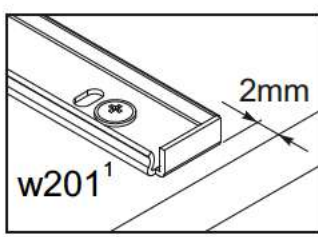
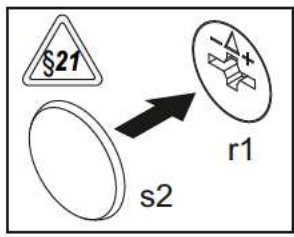
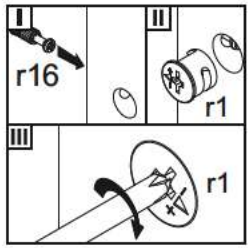
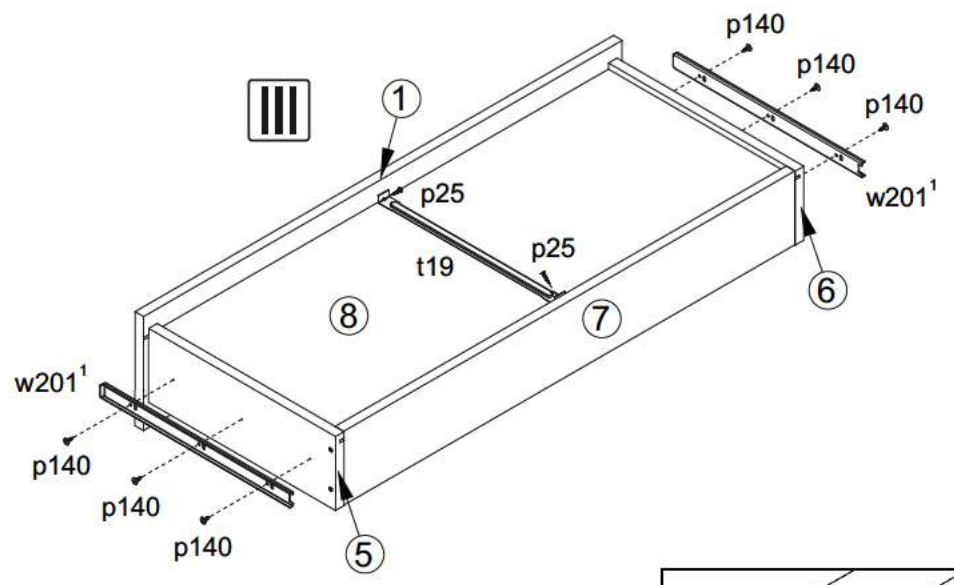
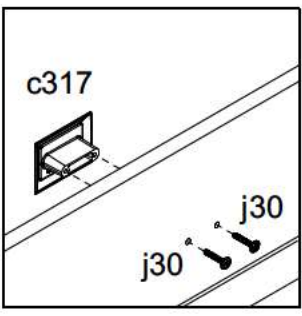
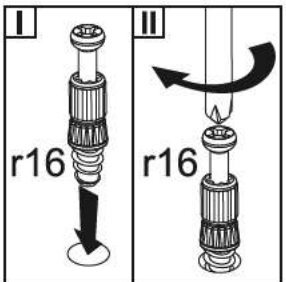
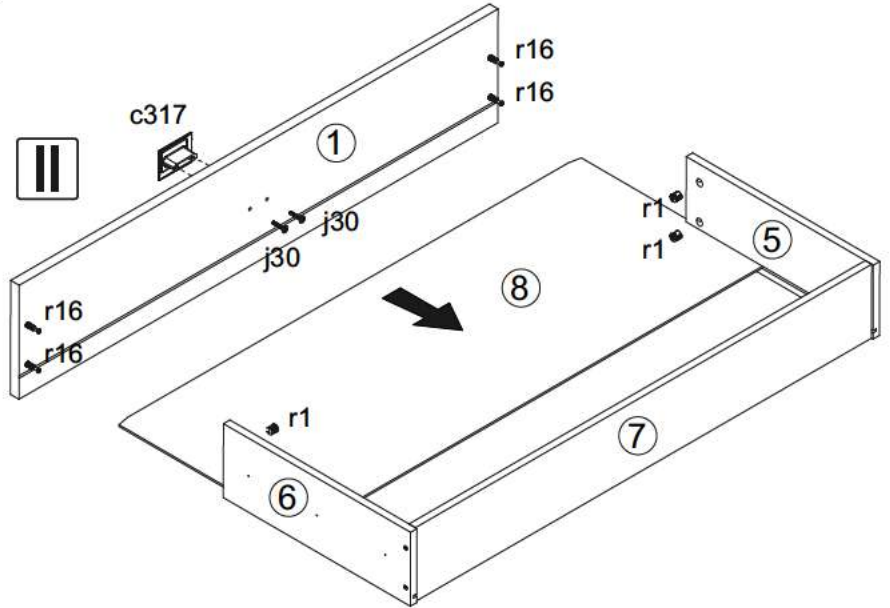
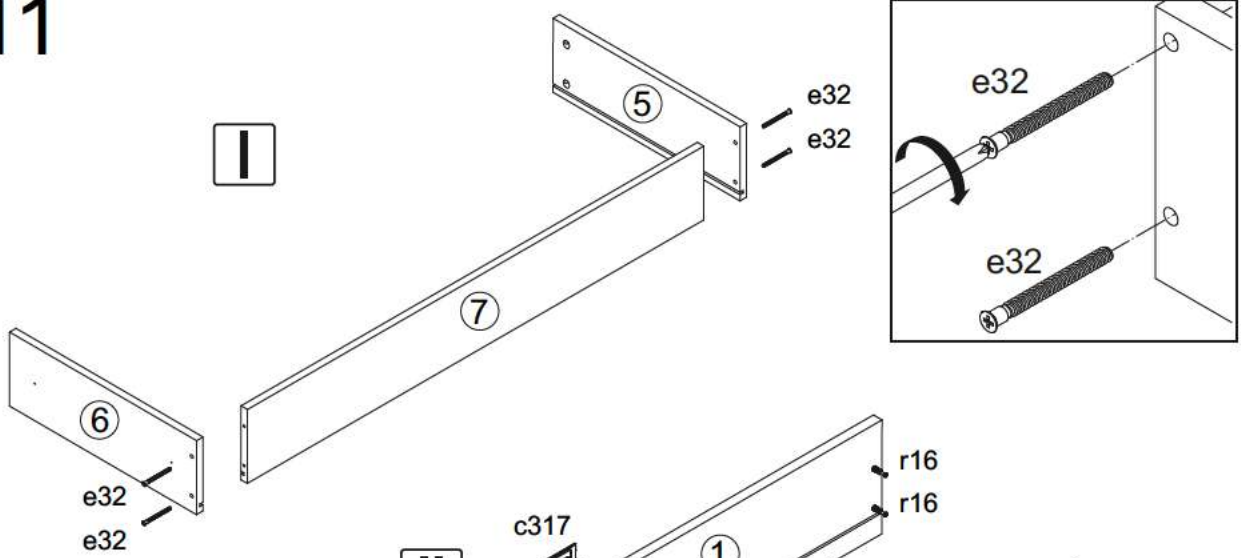
9



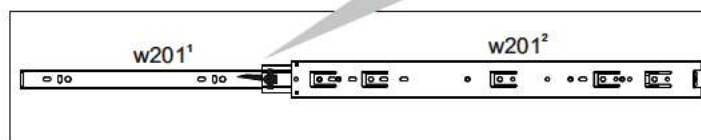
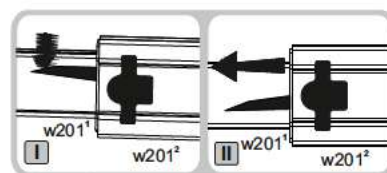
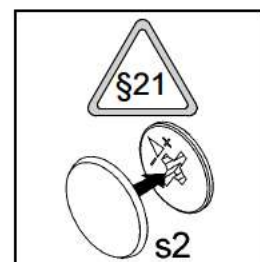
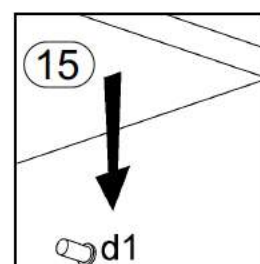
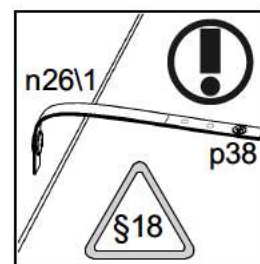
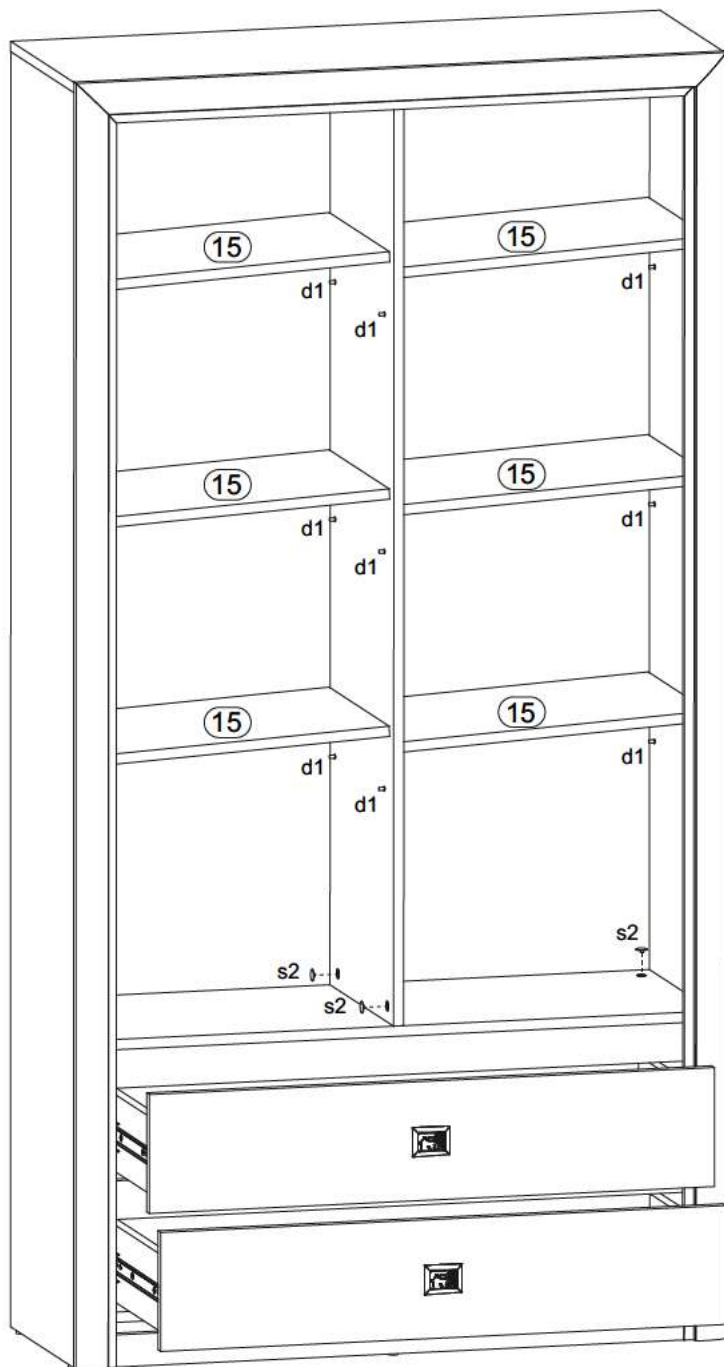
10

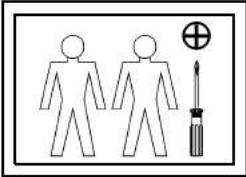


11



12

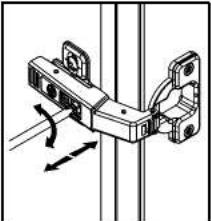
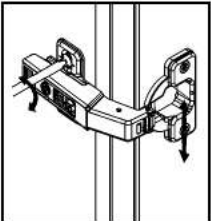
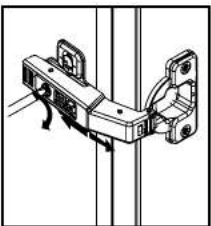
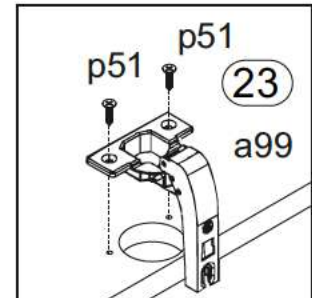
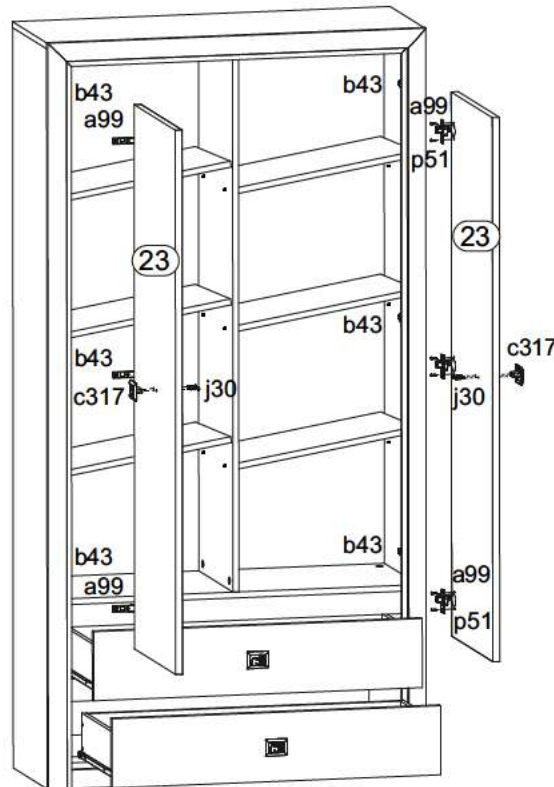
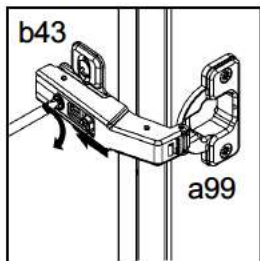
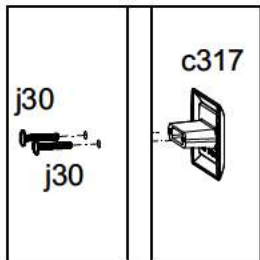
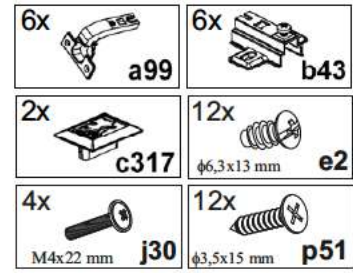




A	B	C	D	
23	S136 0001	1458	446	5/5



Фасад ДСП



A	B	C	D	
23A	S136 001A	1458	446	5/5



Фасад МДФ

