



# TECHNIC™

42112

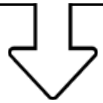


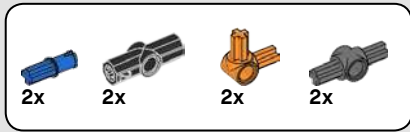


+

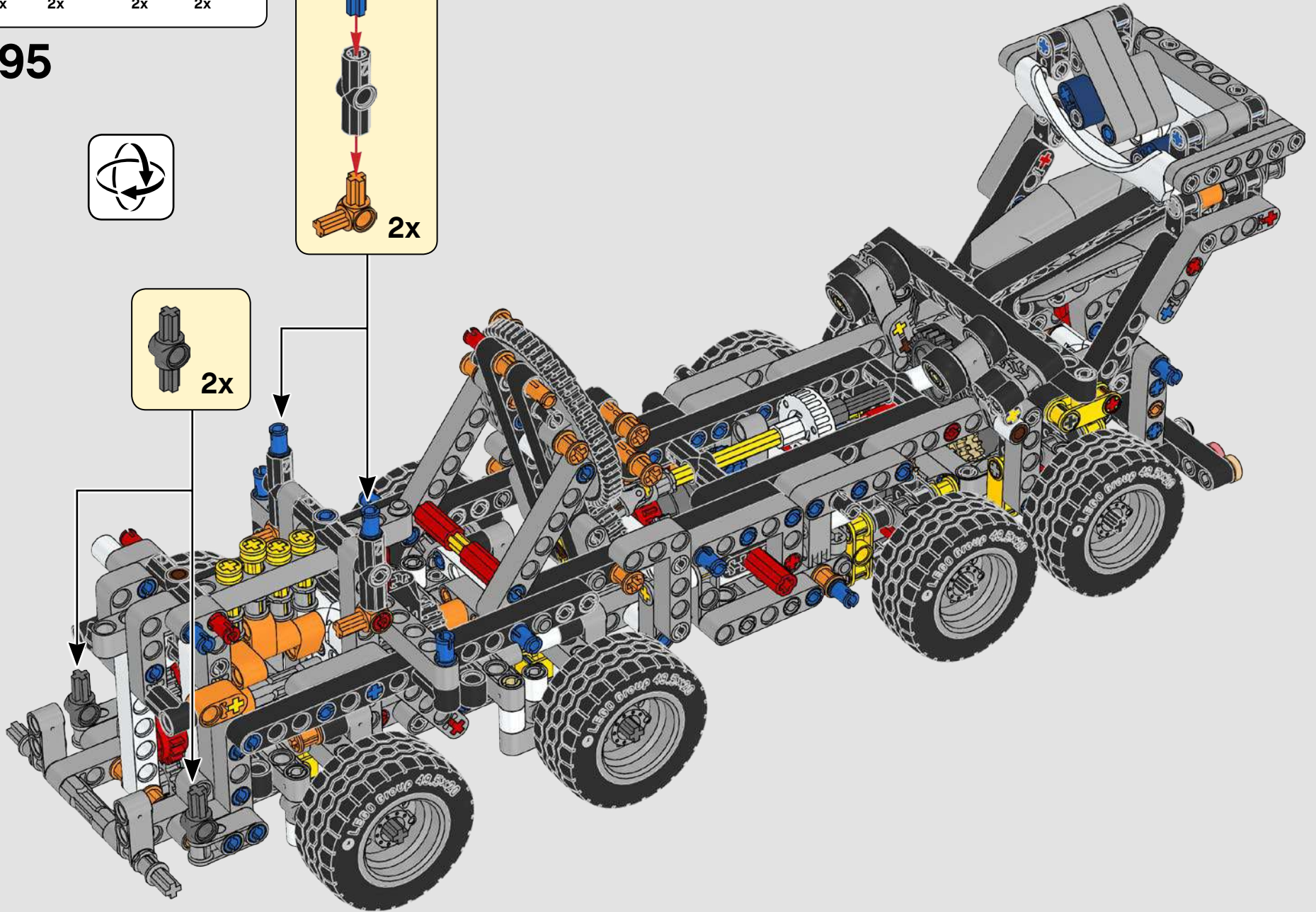
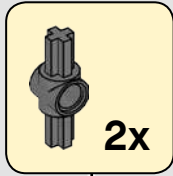
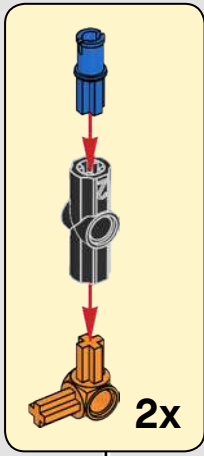


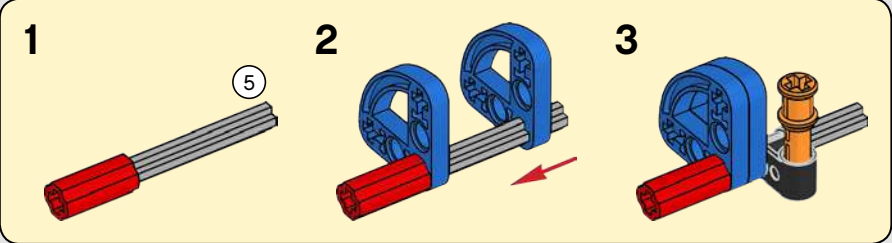
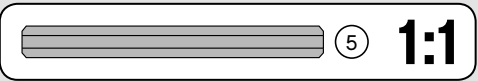
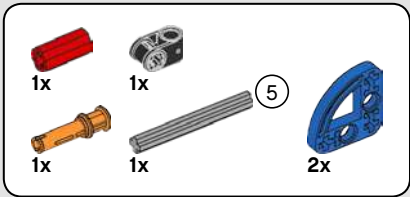
2x



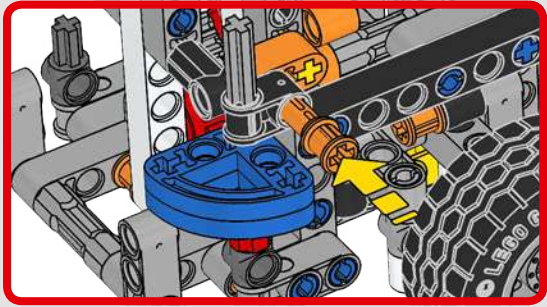
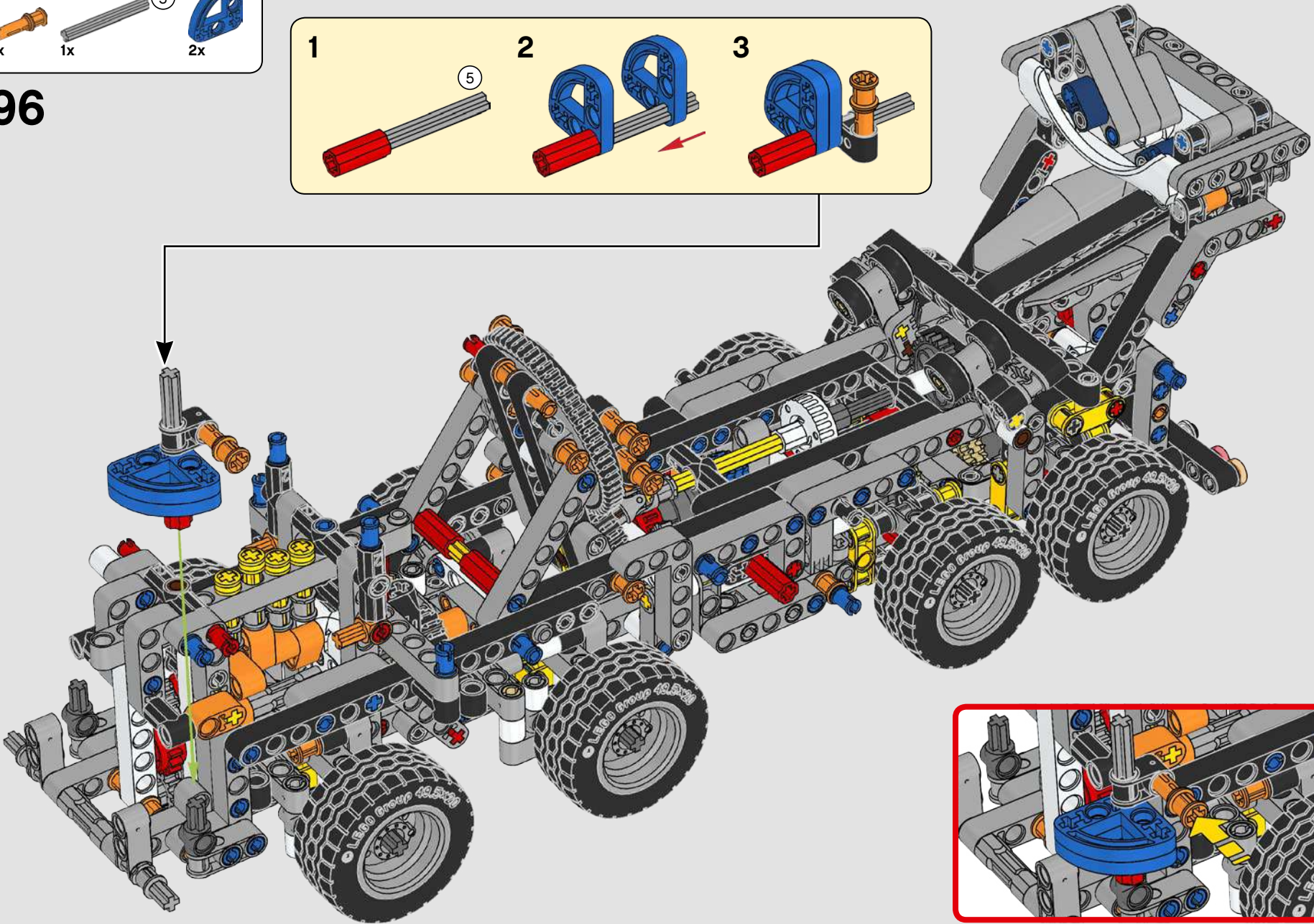


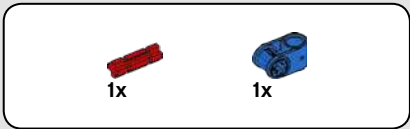
195



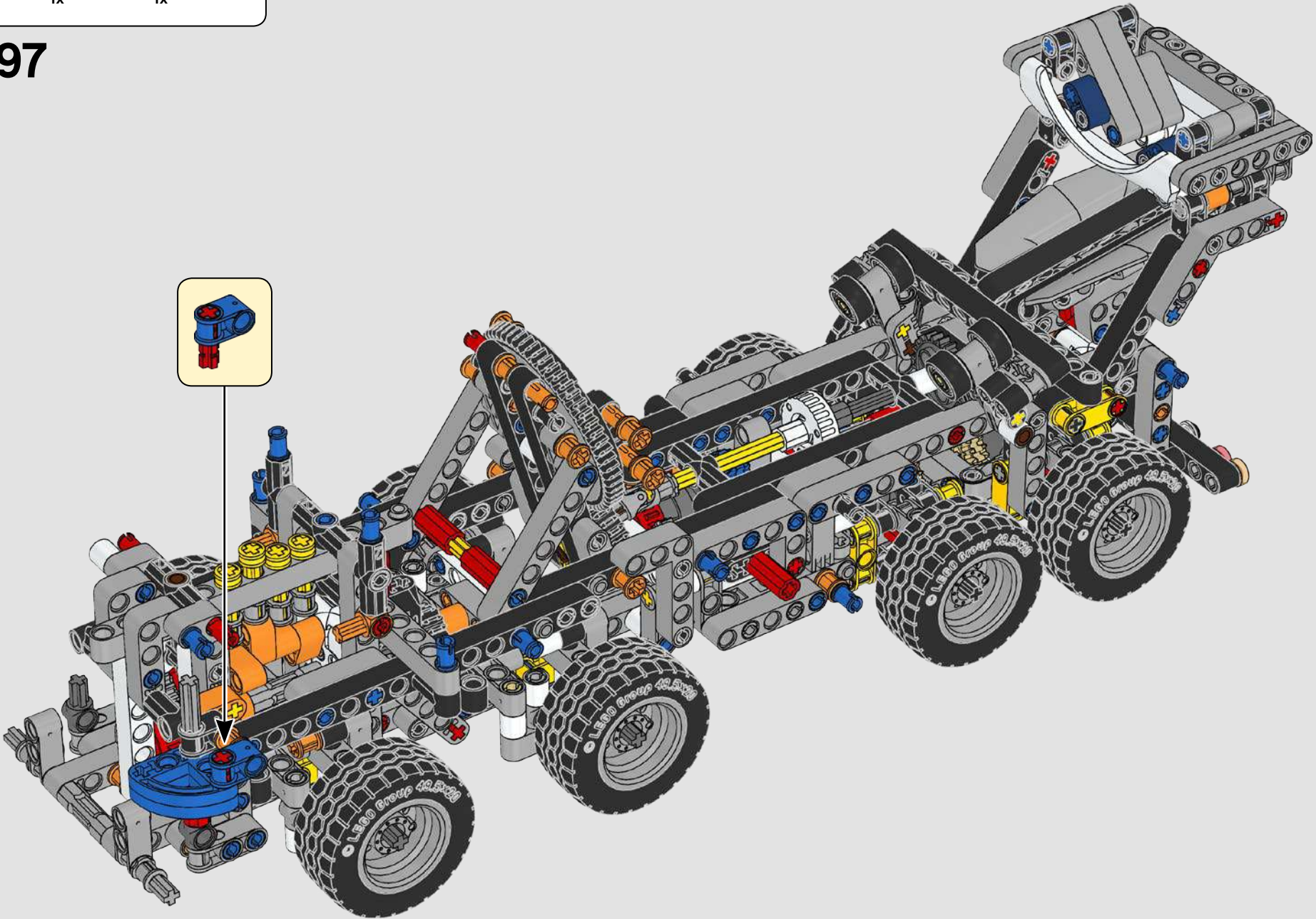


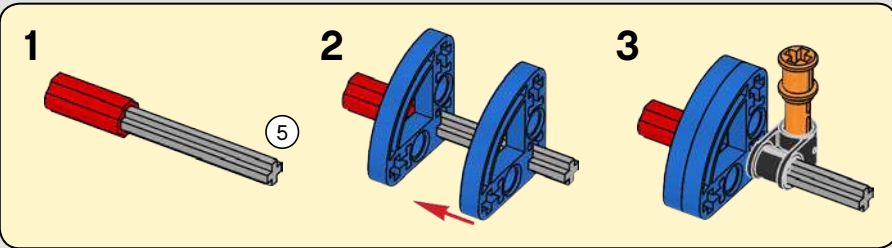
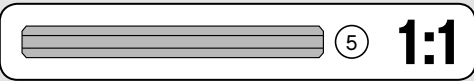
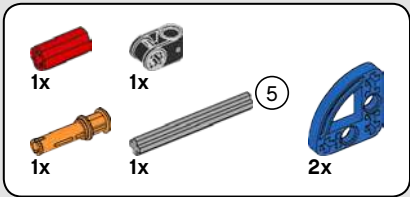
196



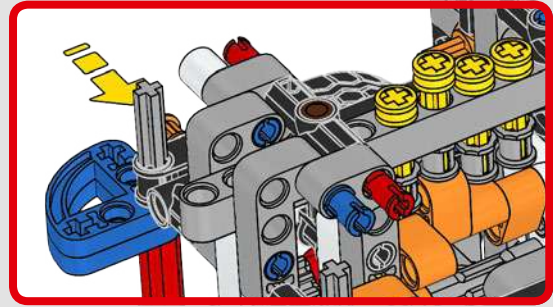
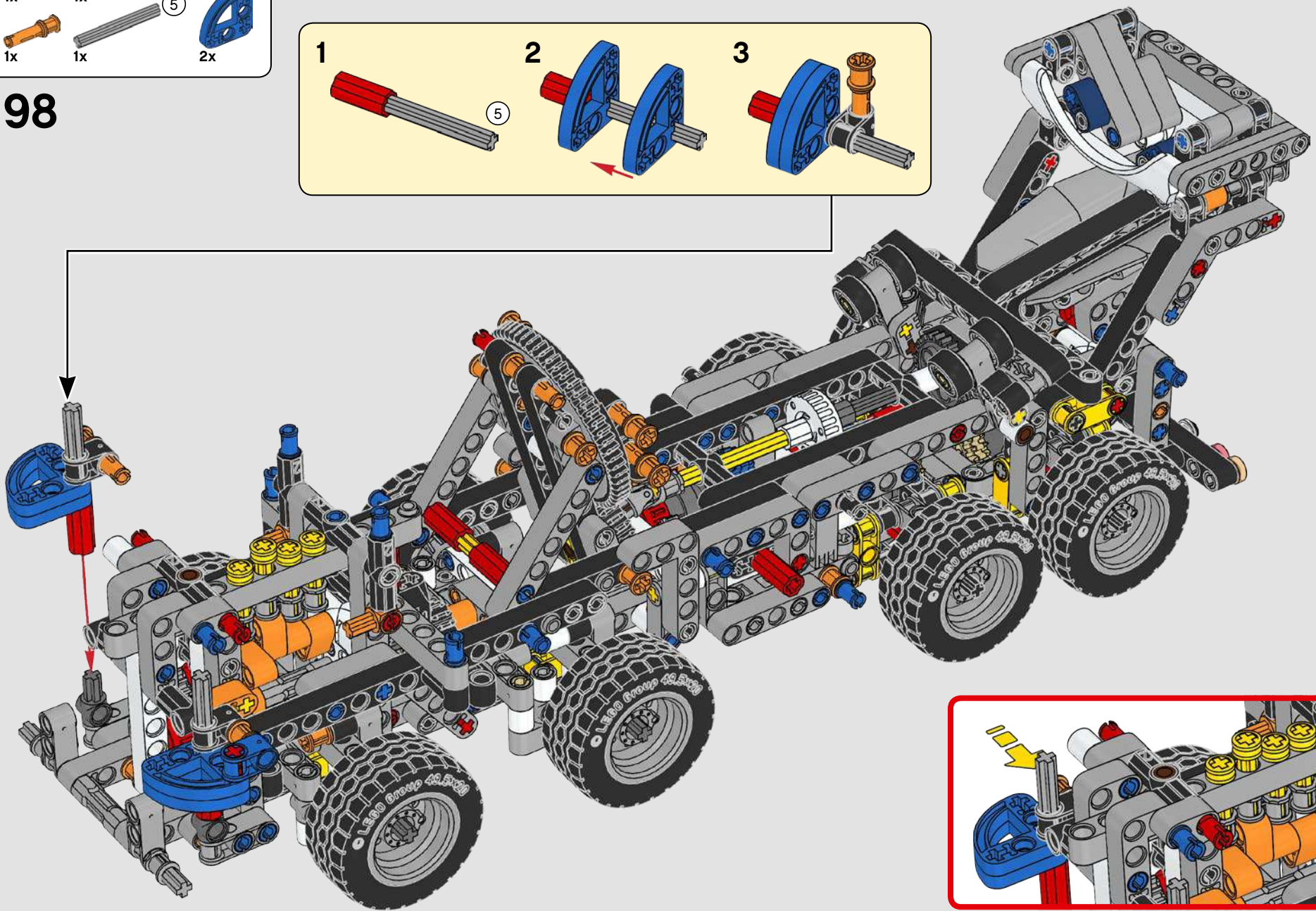


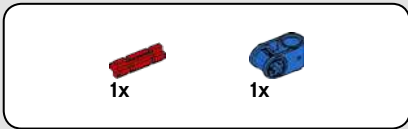
197



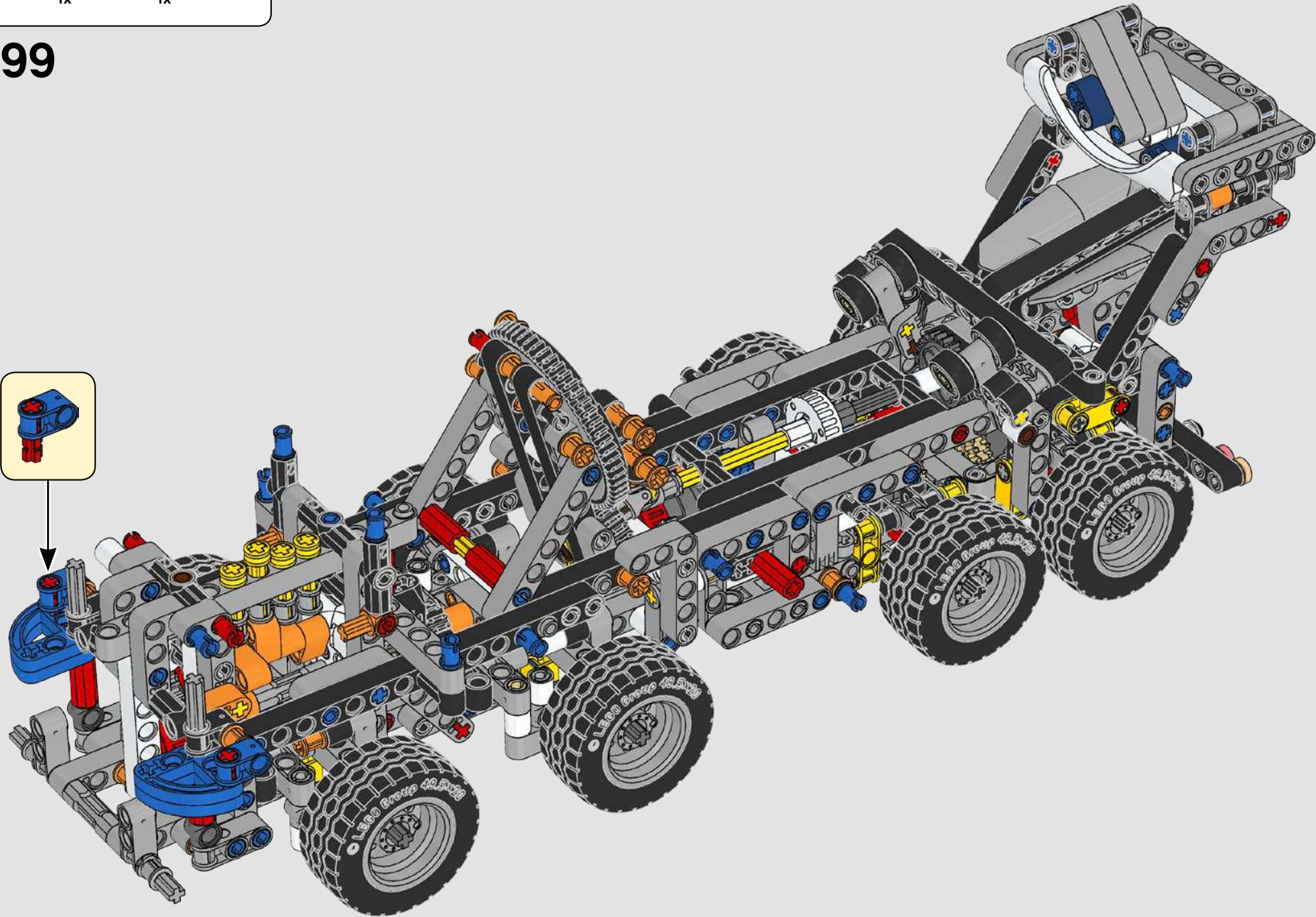


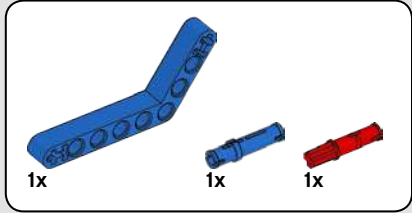
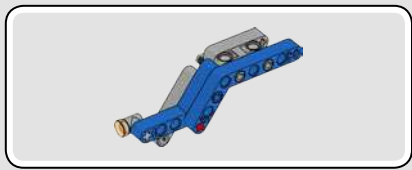
198



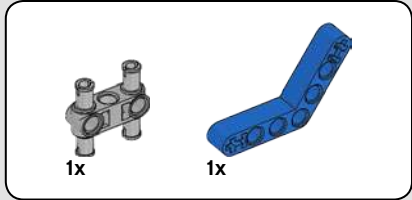
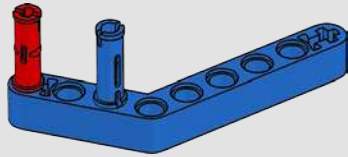


199

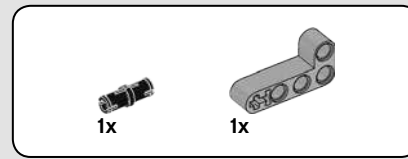
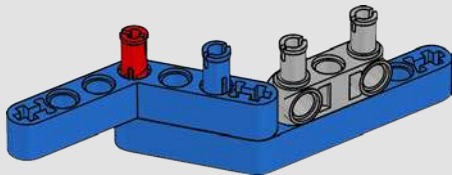




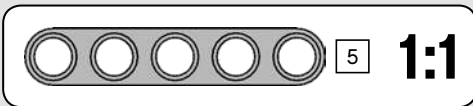
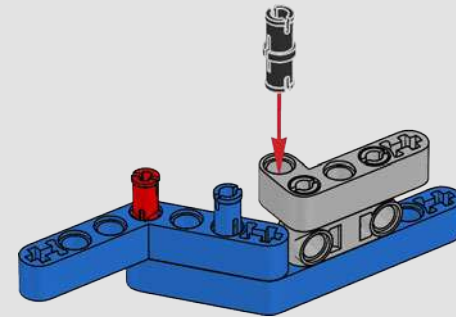
200



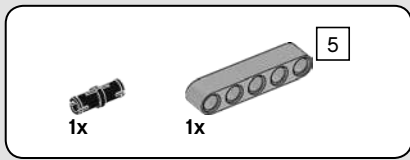
201



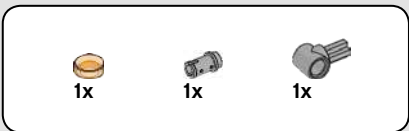
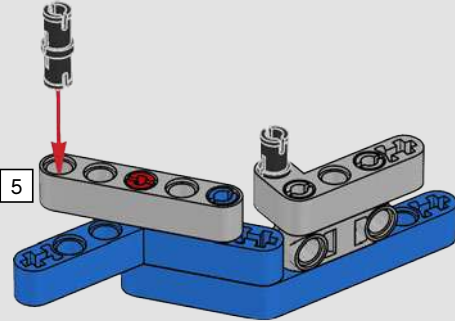
202



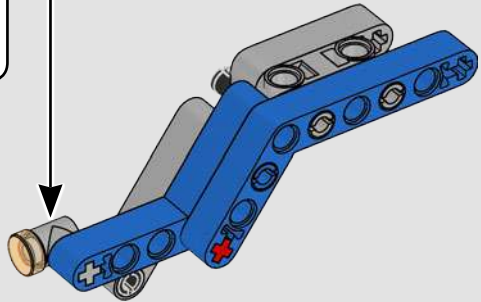
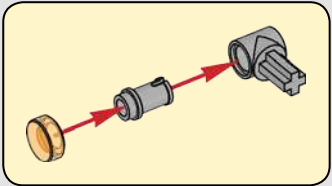




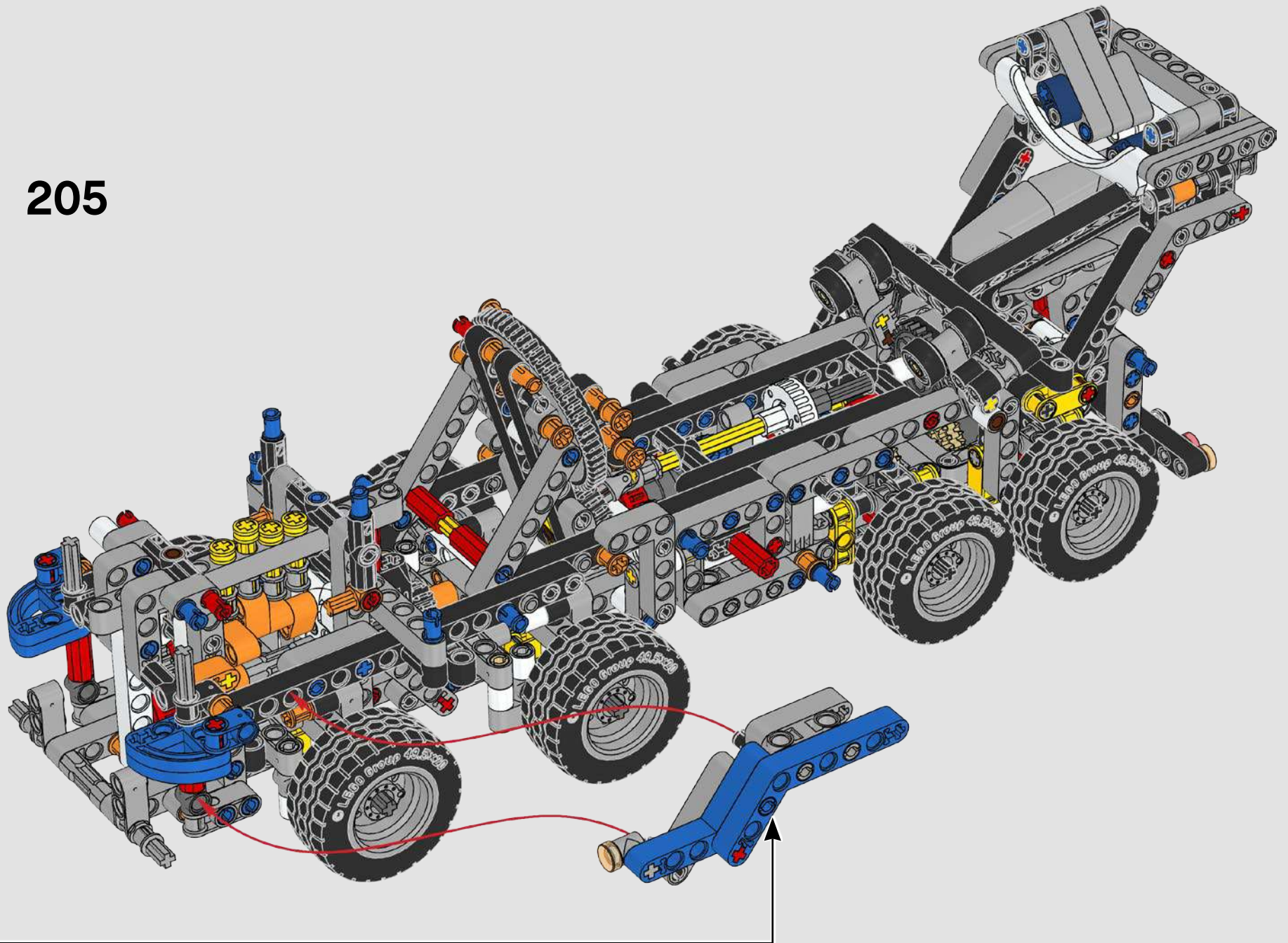
# 203

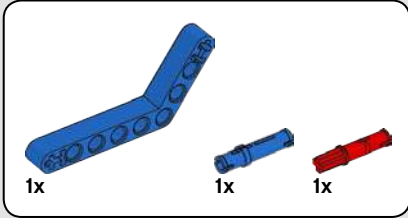
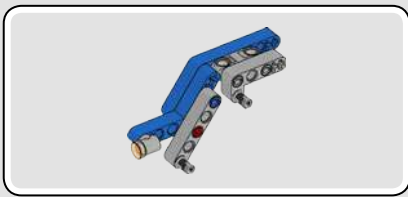


# 204

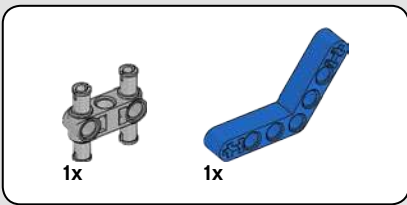
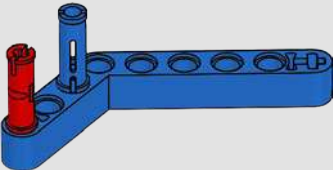


205

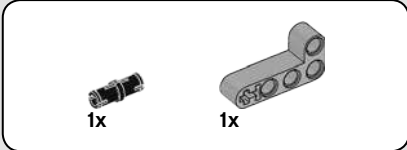
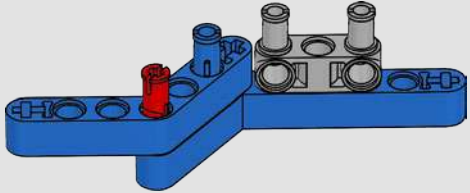




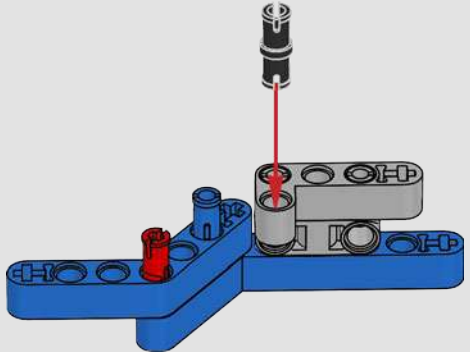
206

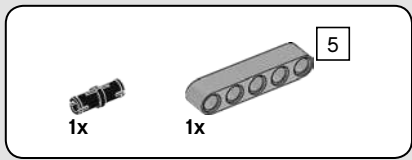


207

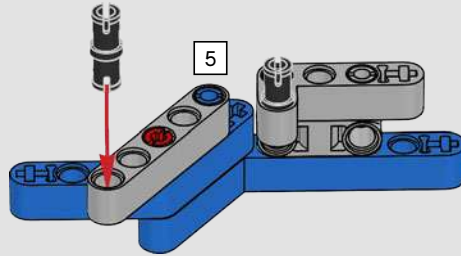


208

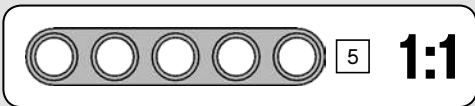
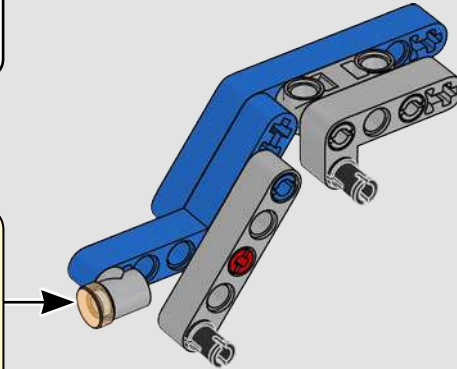
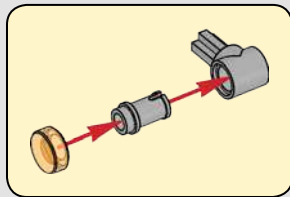
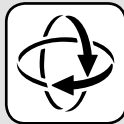




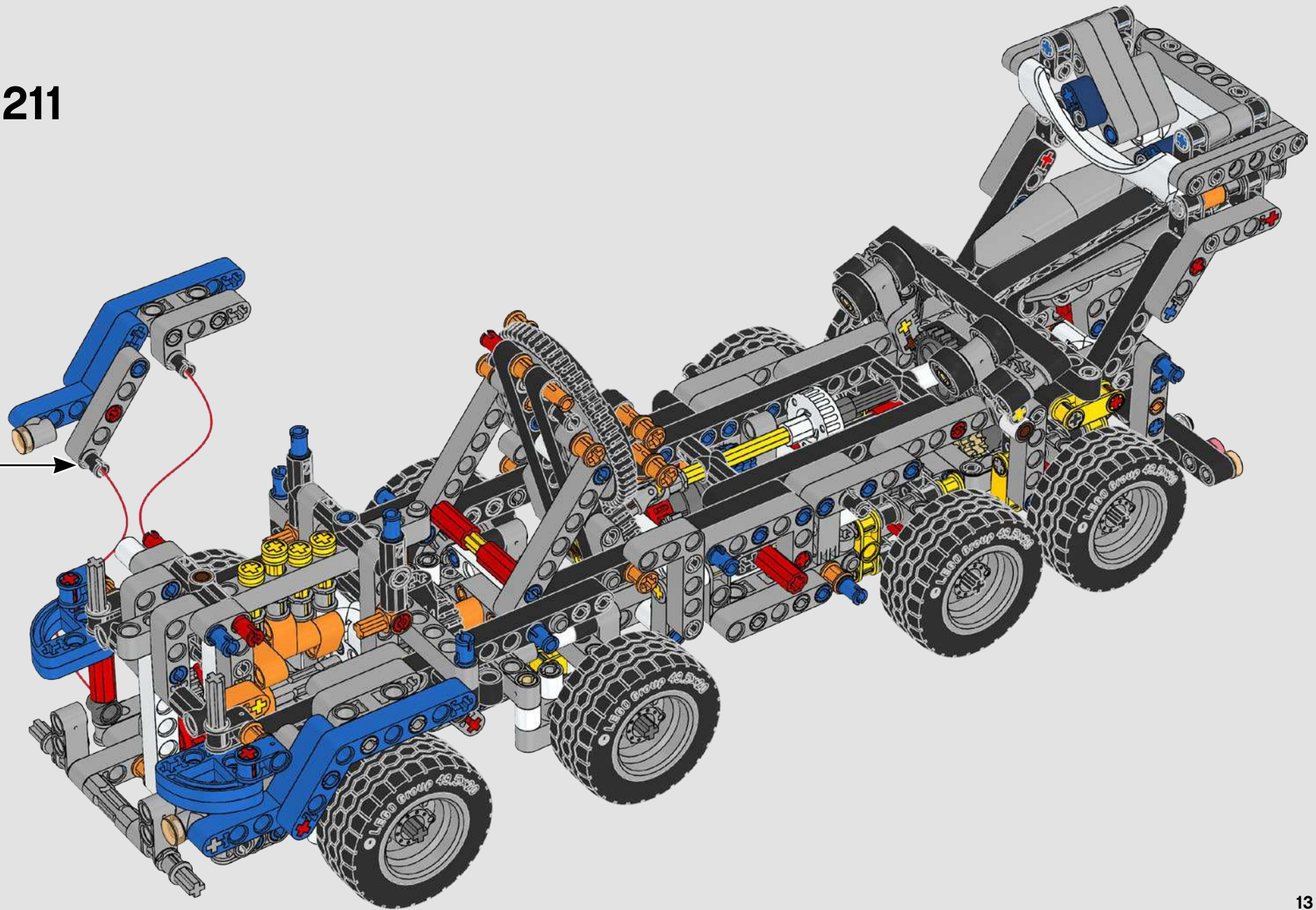
209

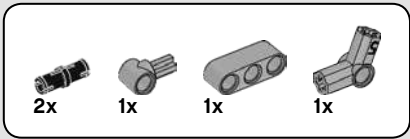


210

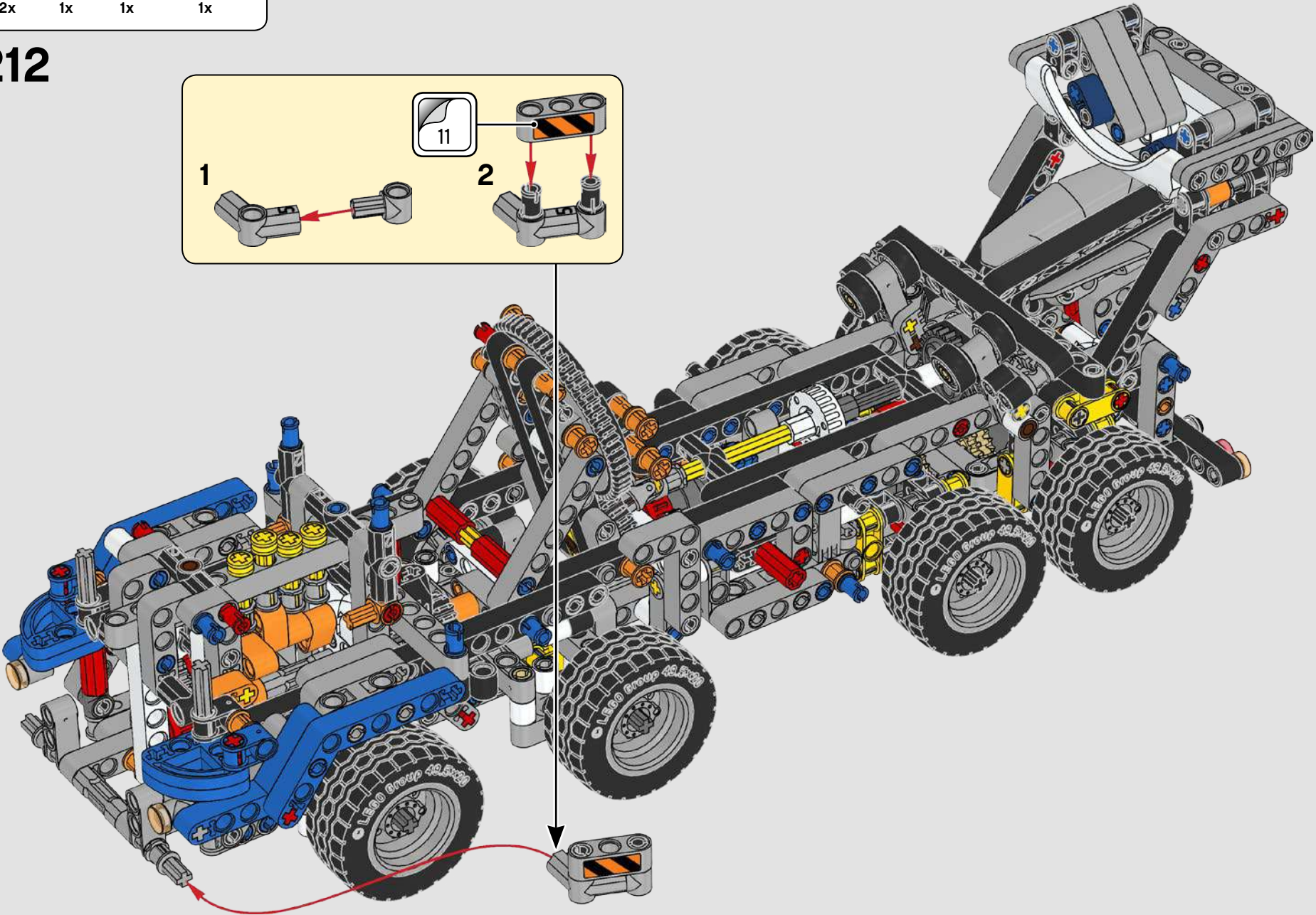
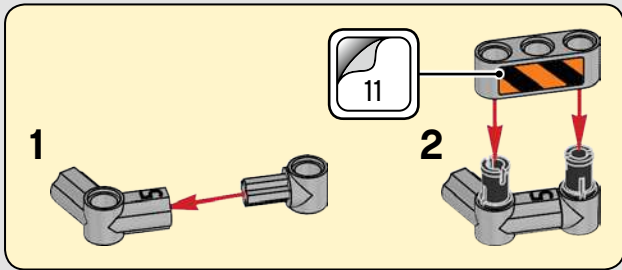


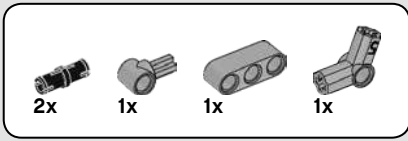
211



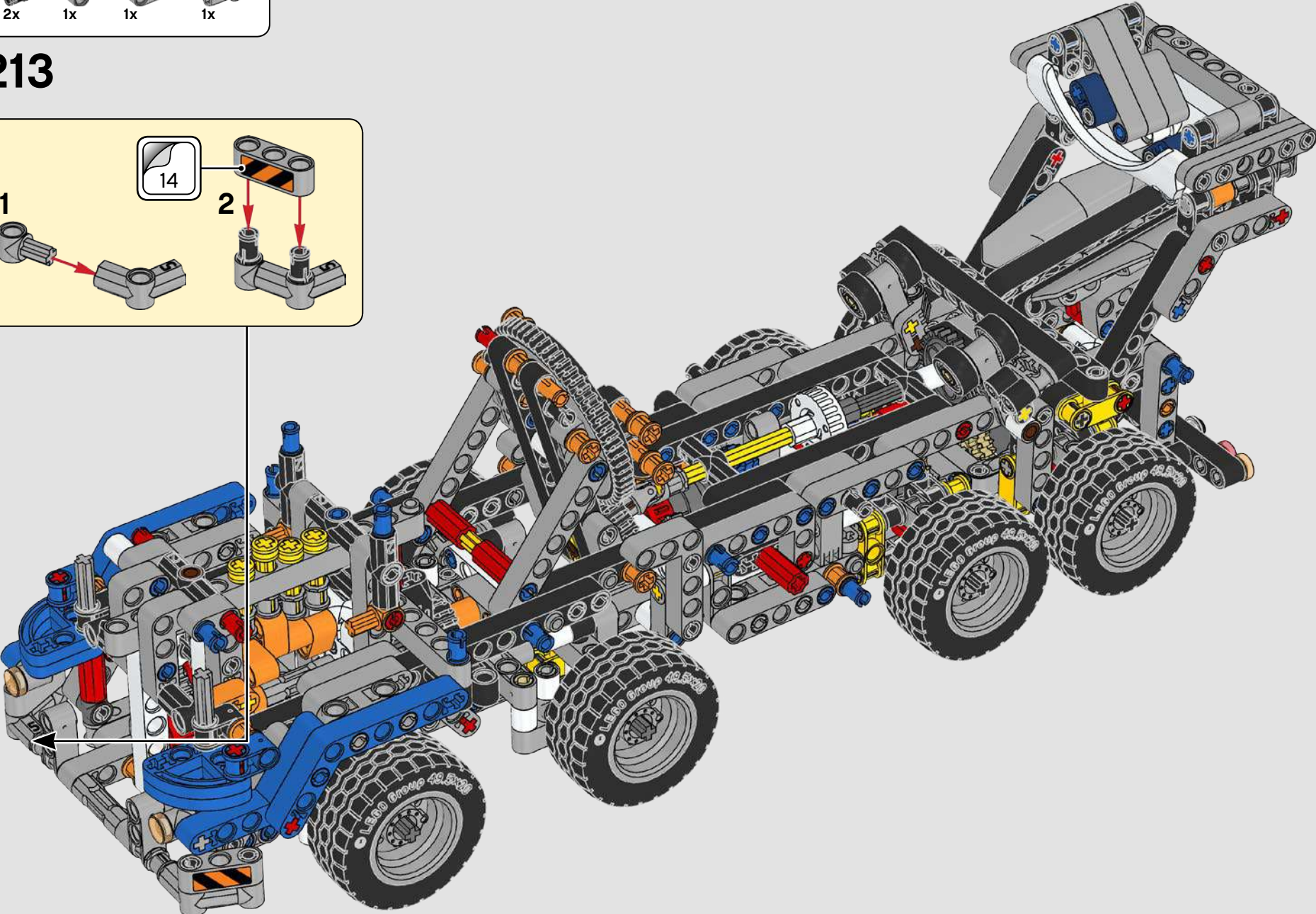
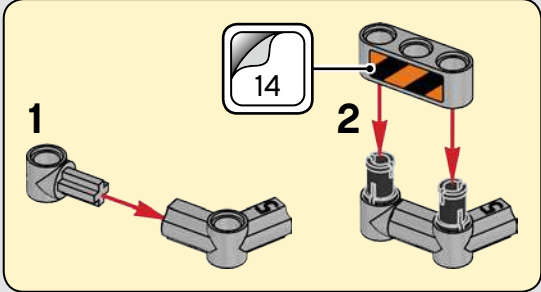


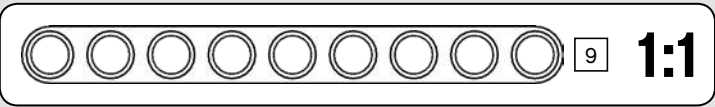
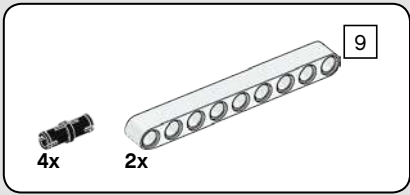
# 212



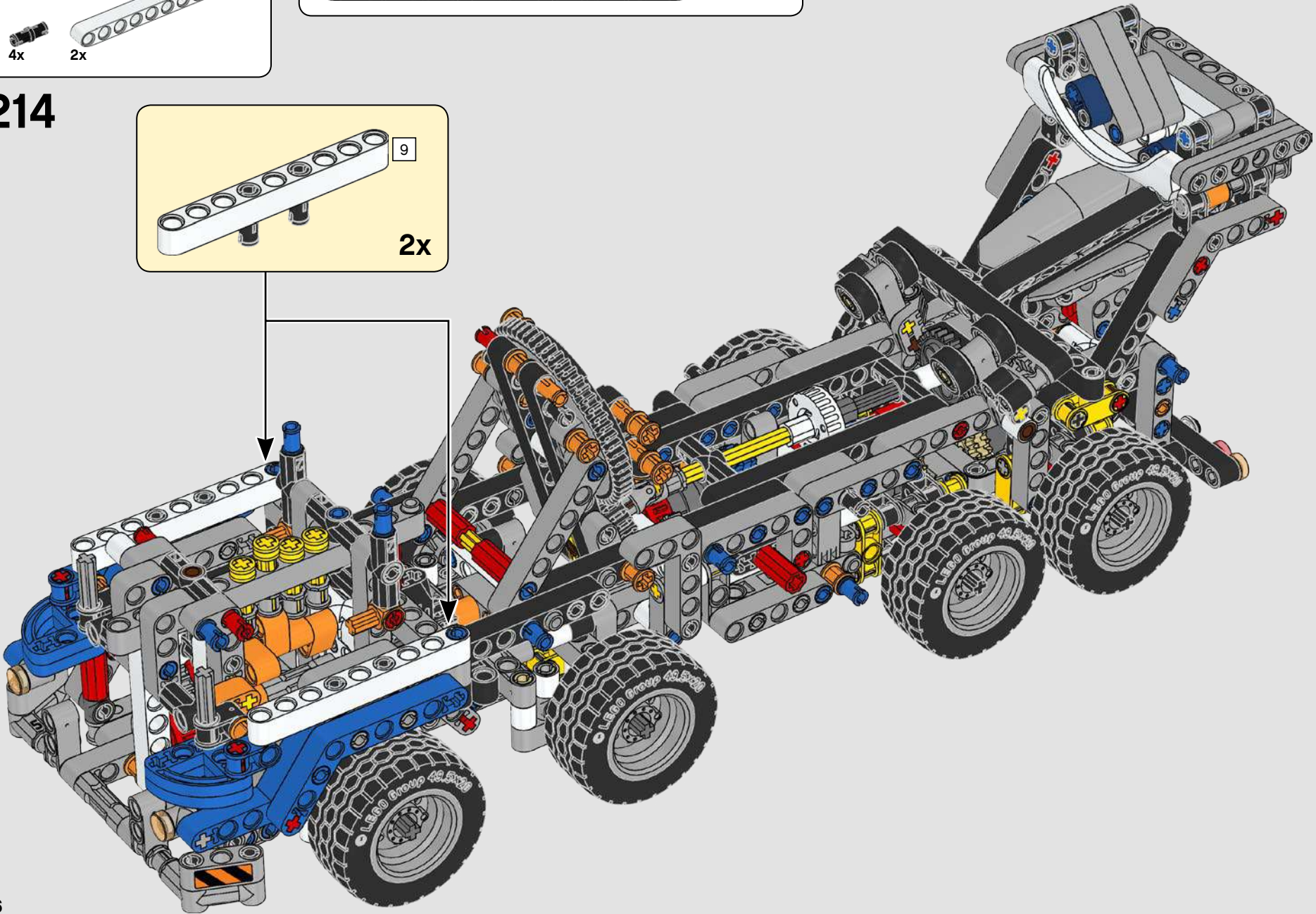
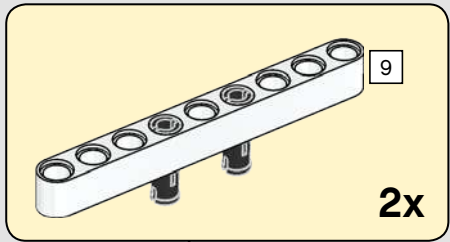


# 213

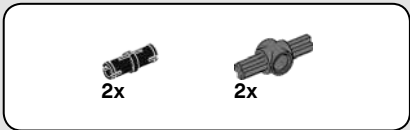




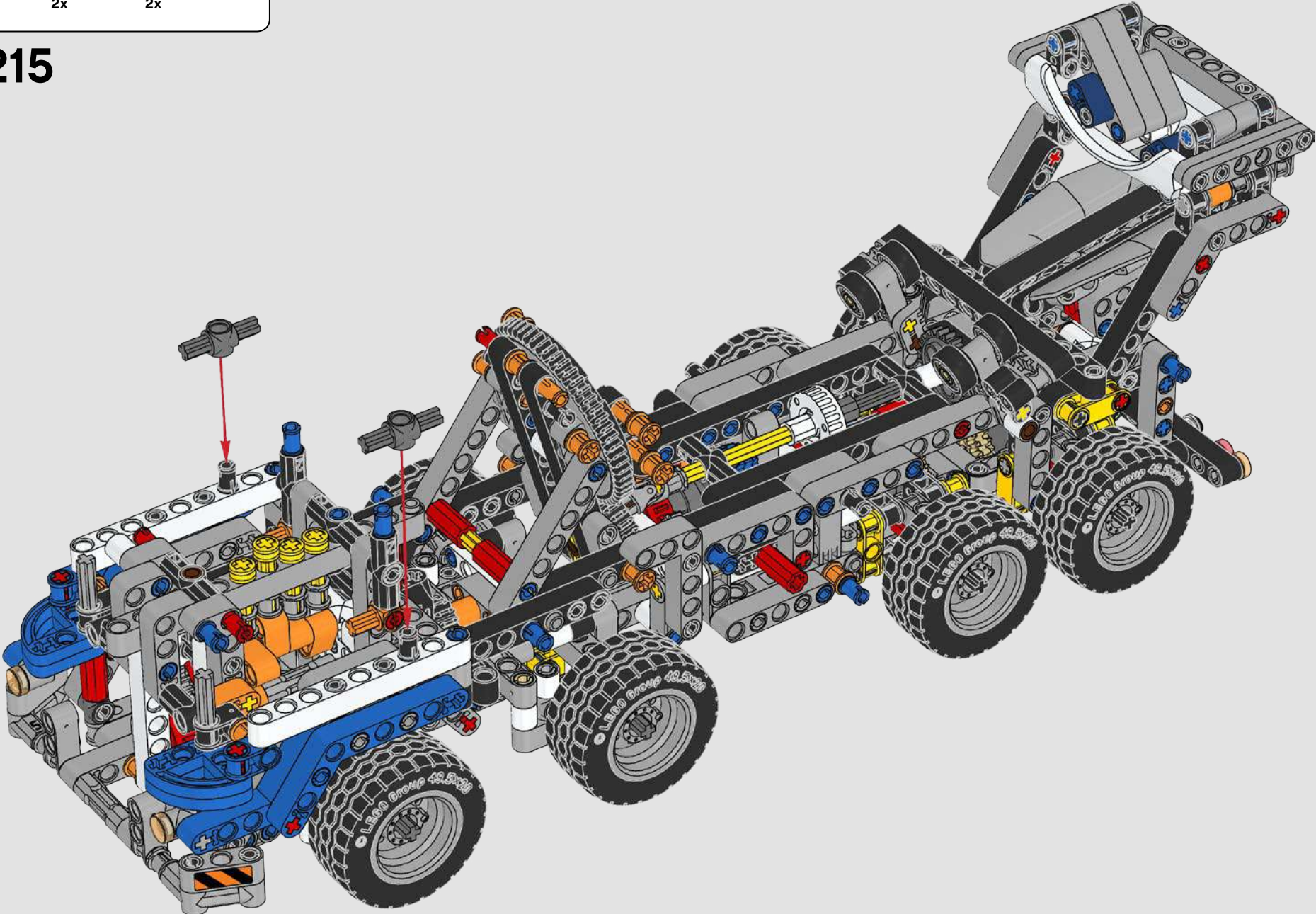
214

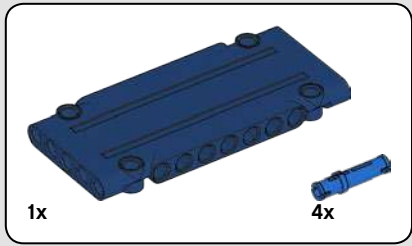




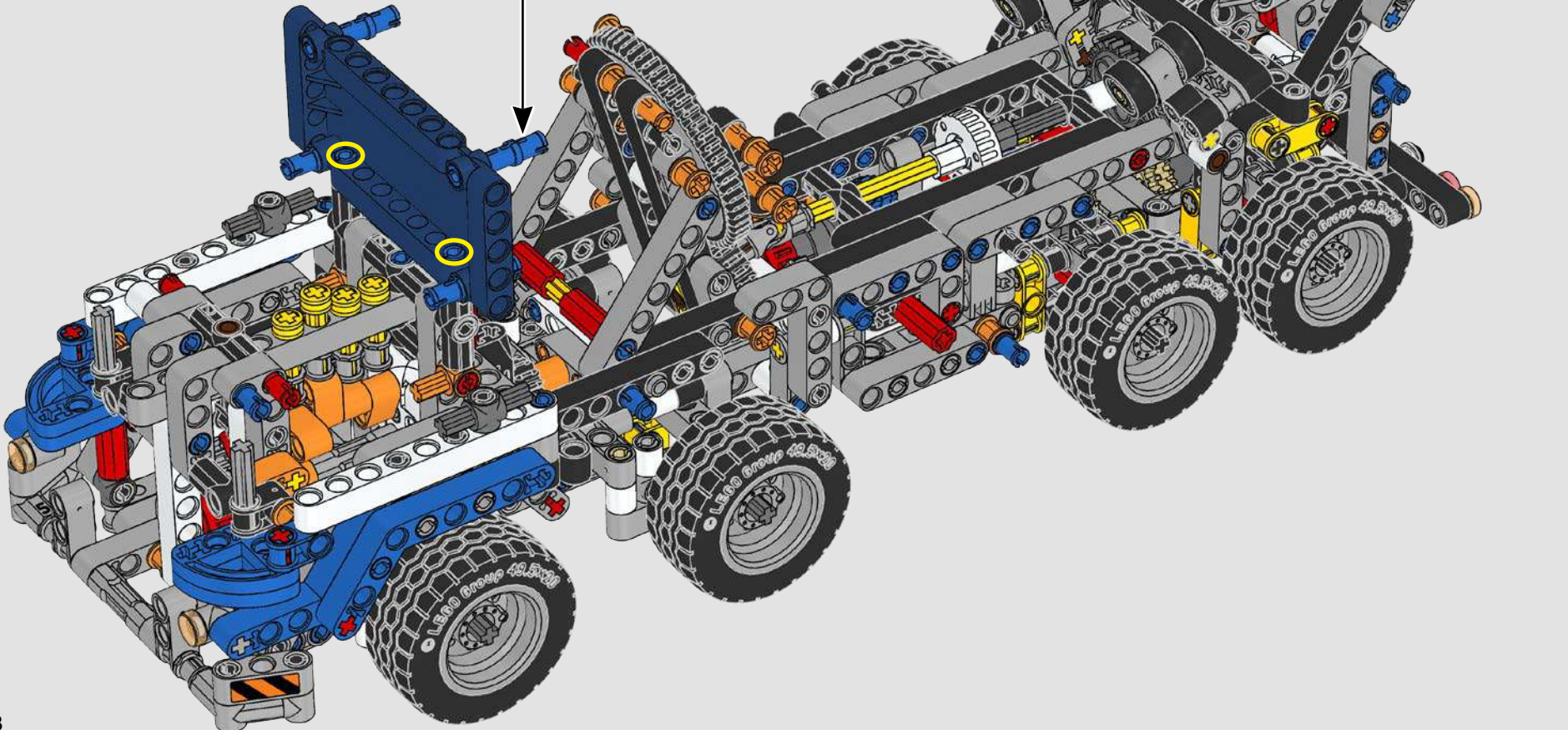
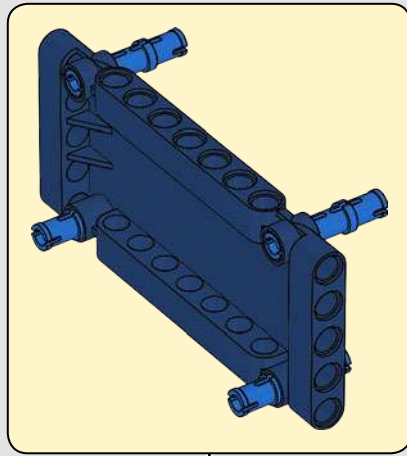


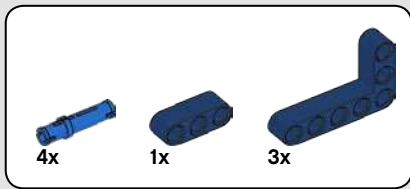
215



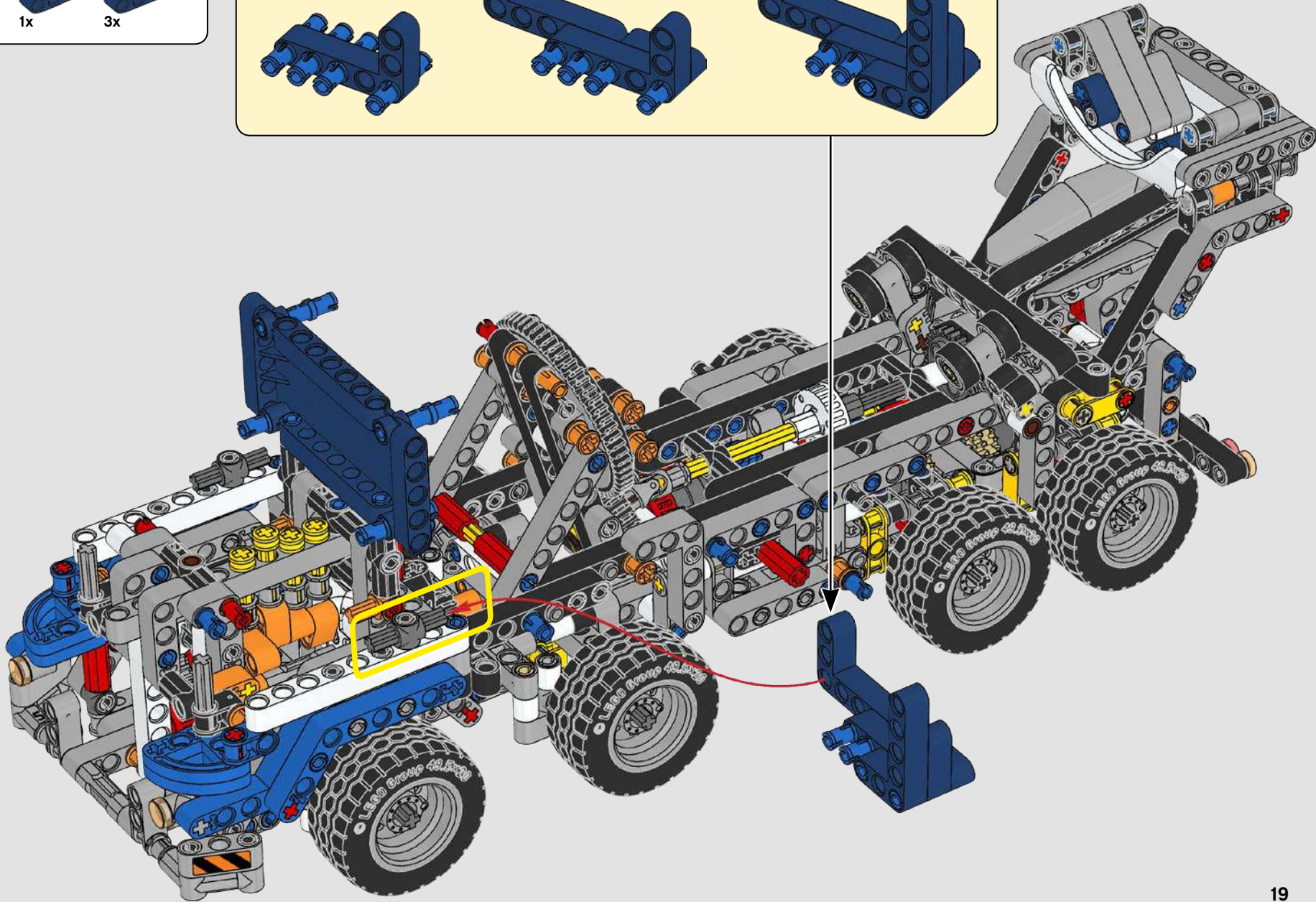
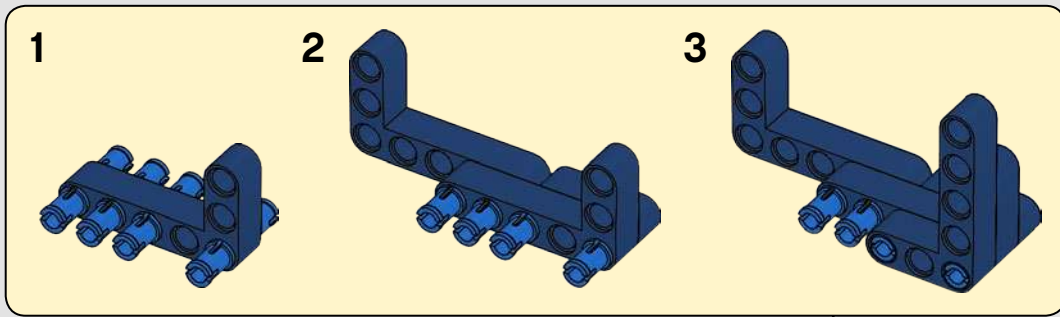


216

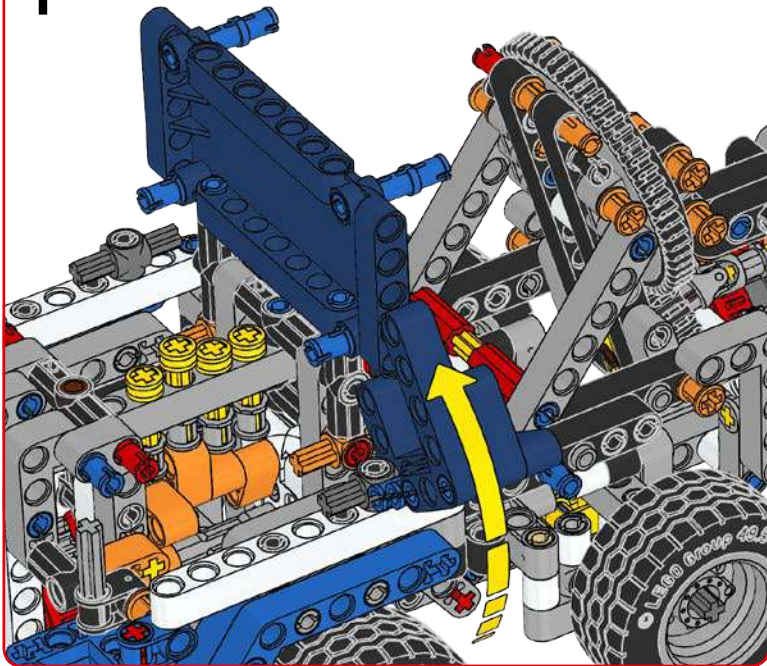




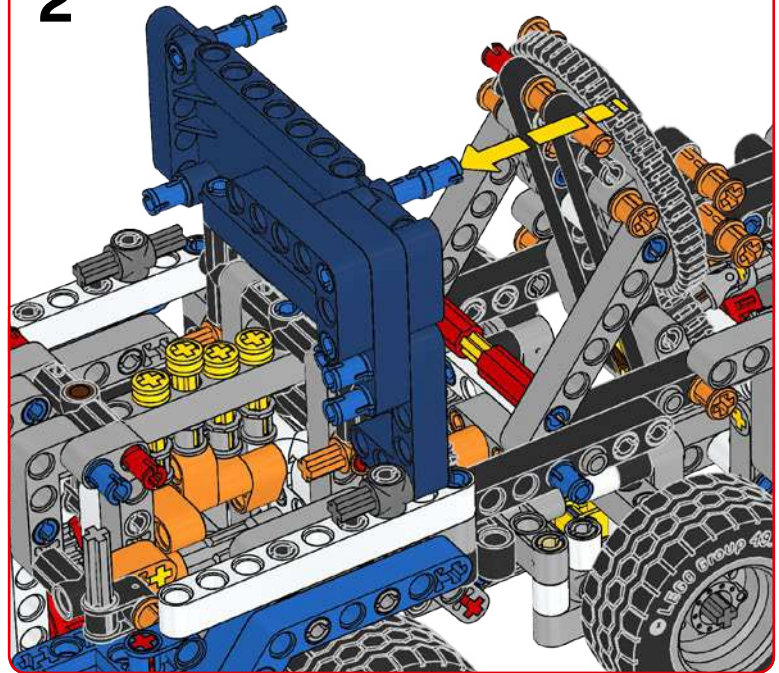
217

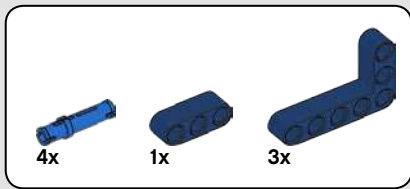


1

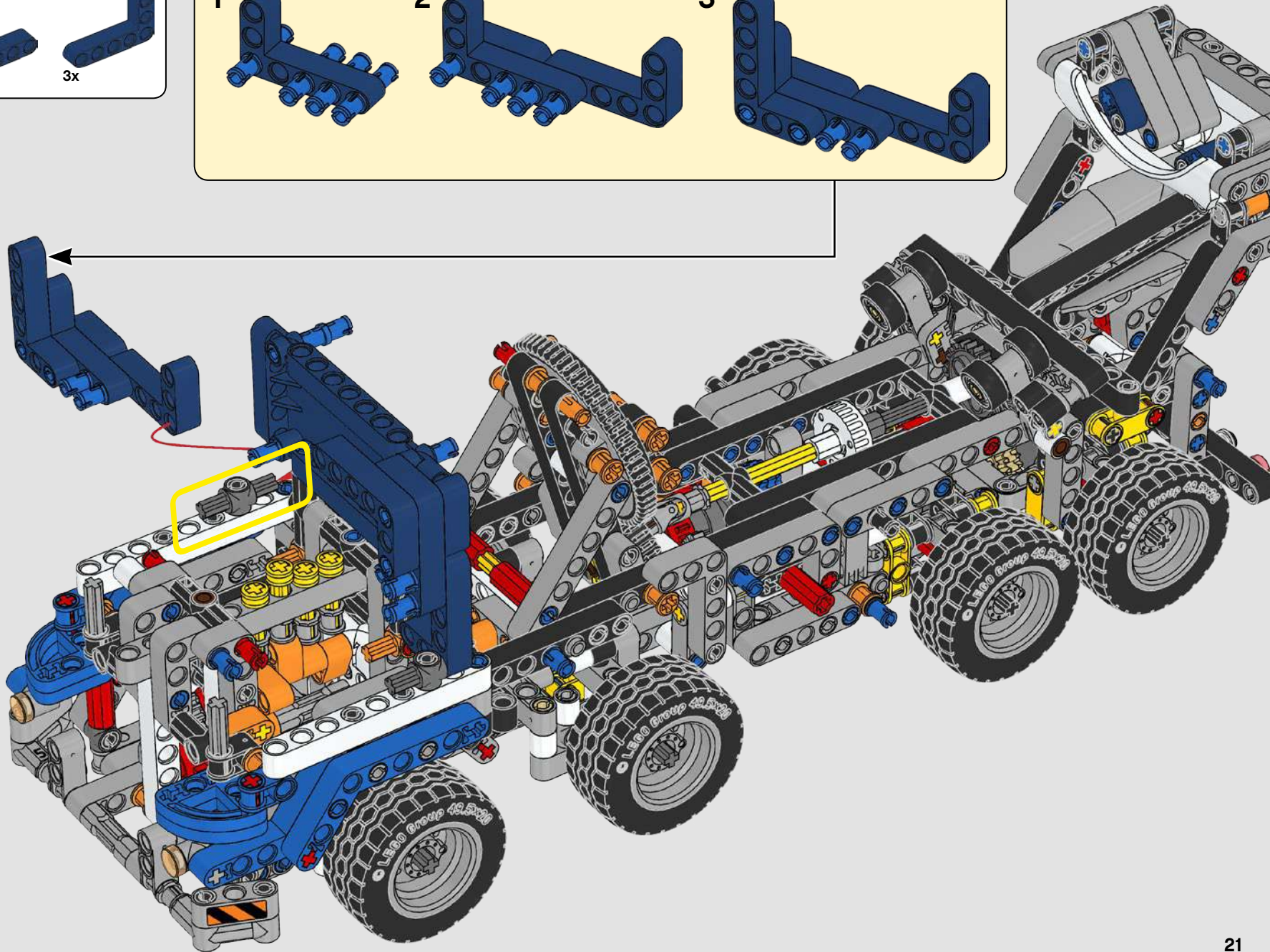
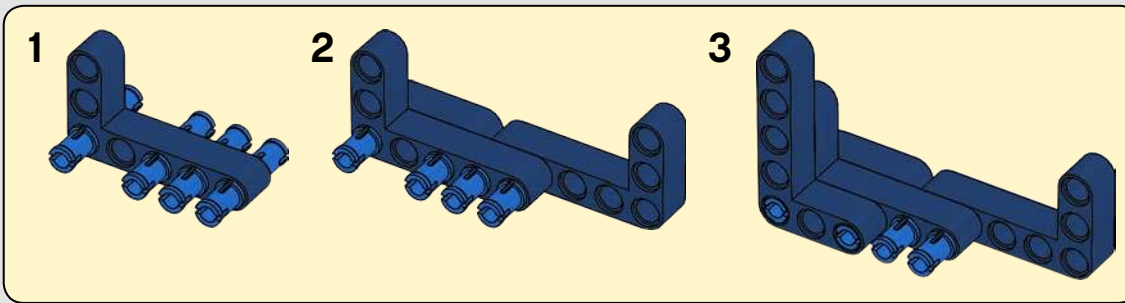


2

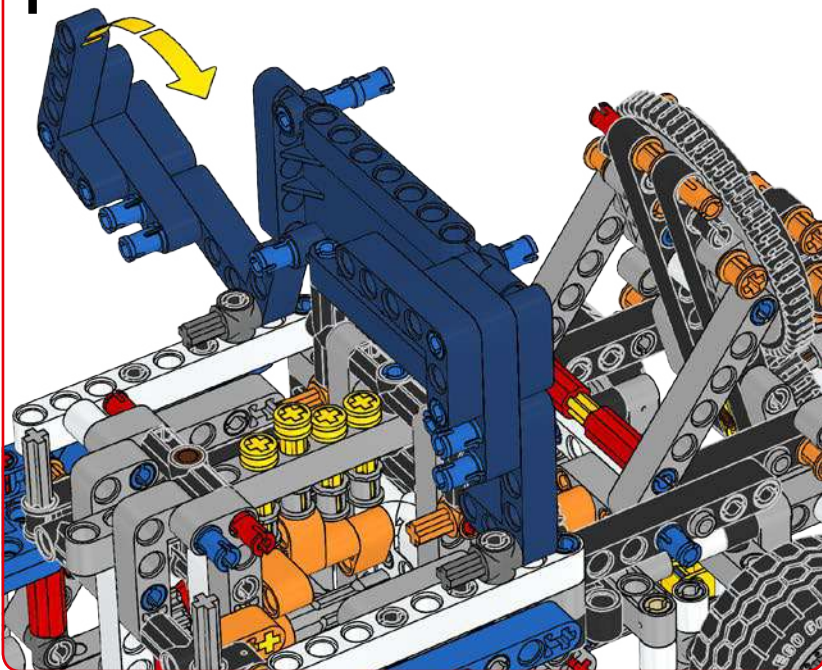




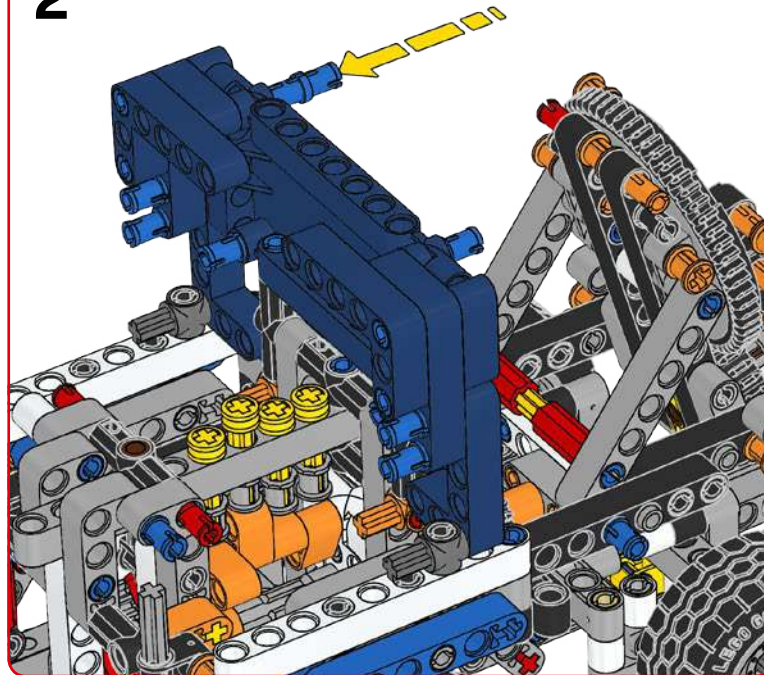
218

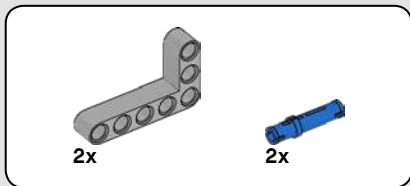


1

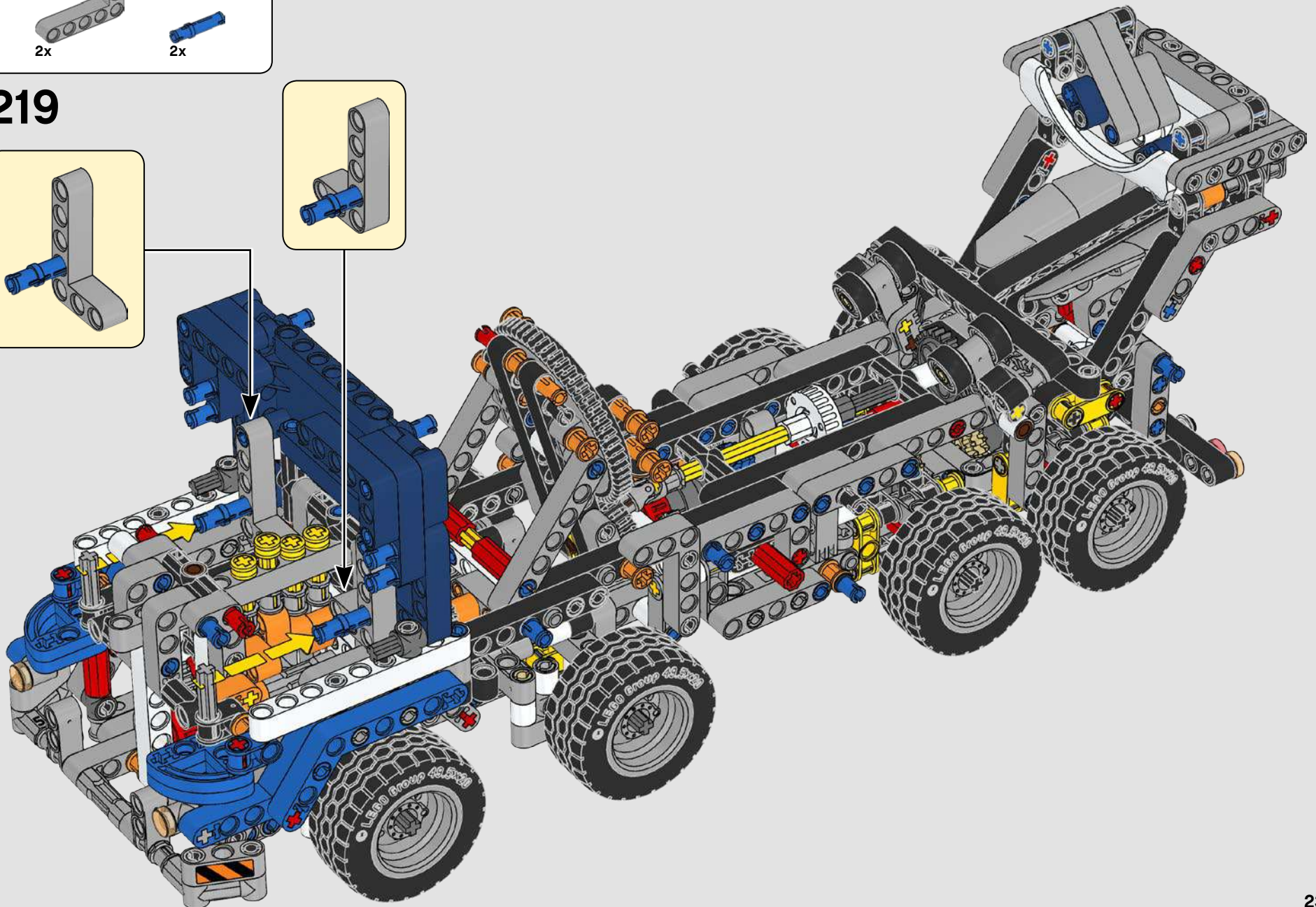
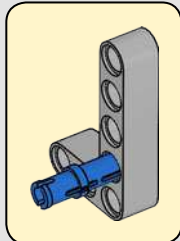
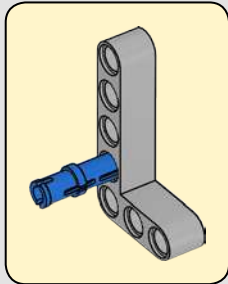


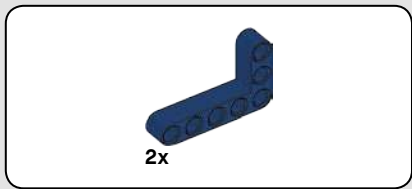
2



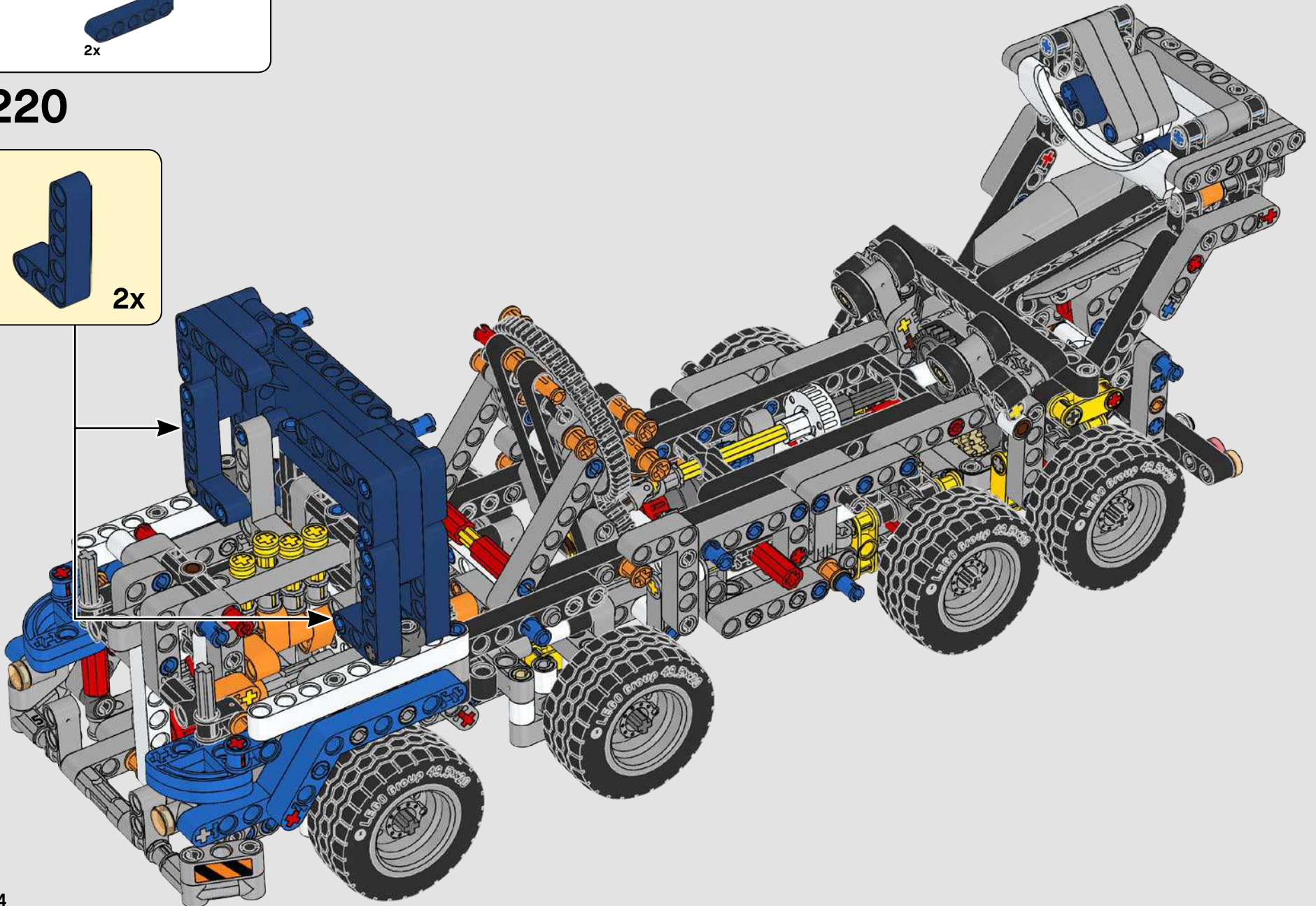
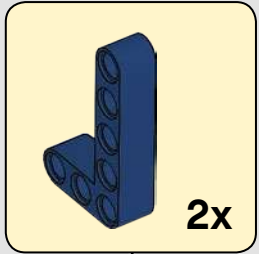


219





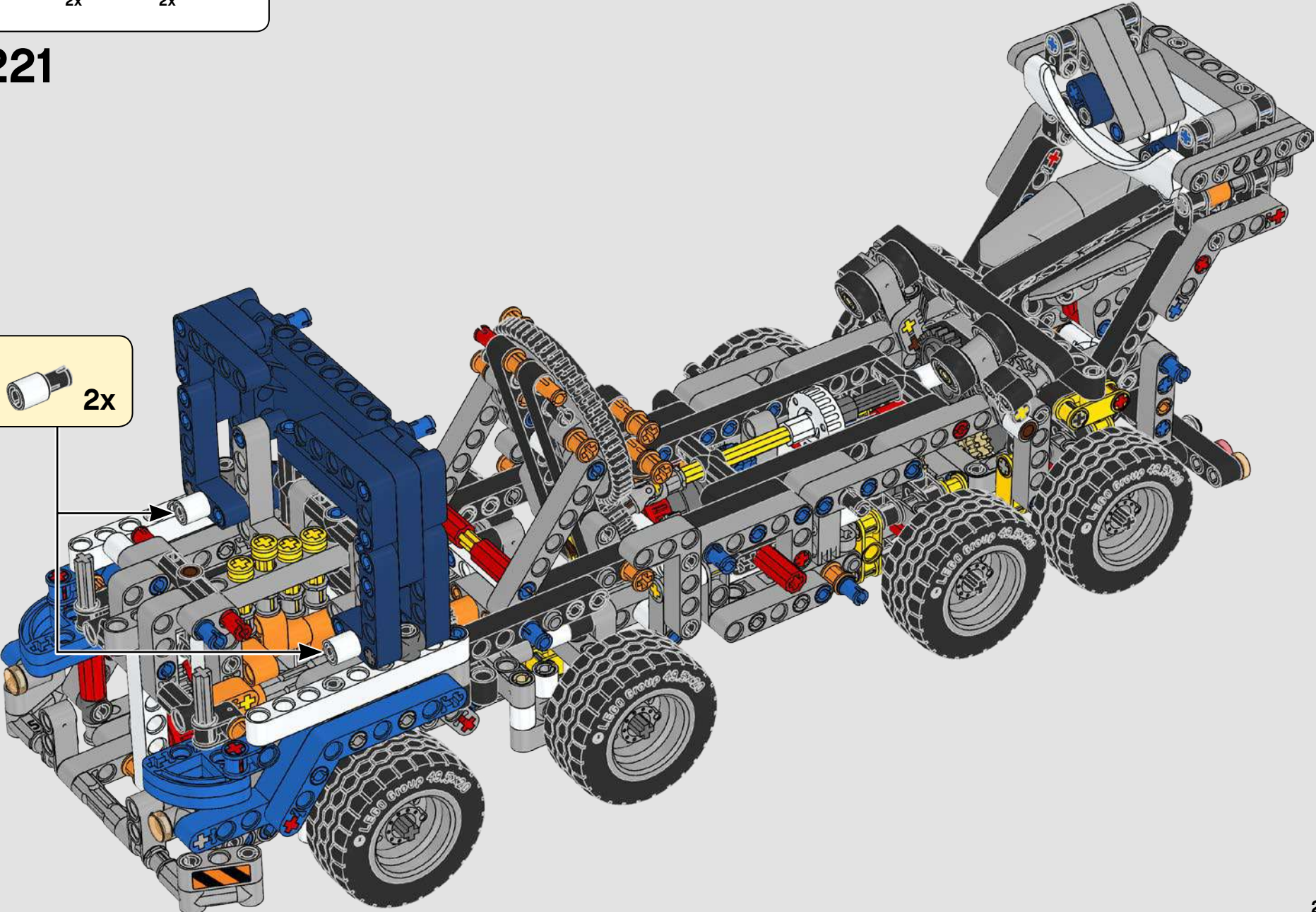
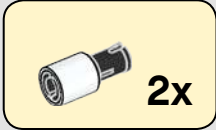
220

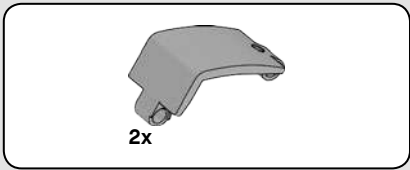




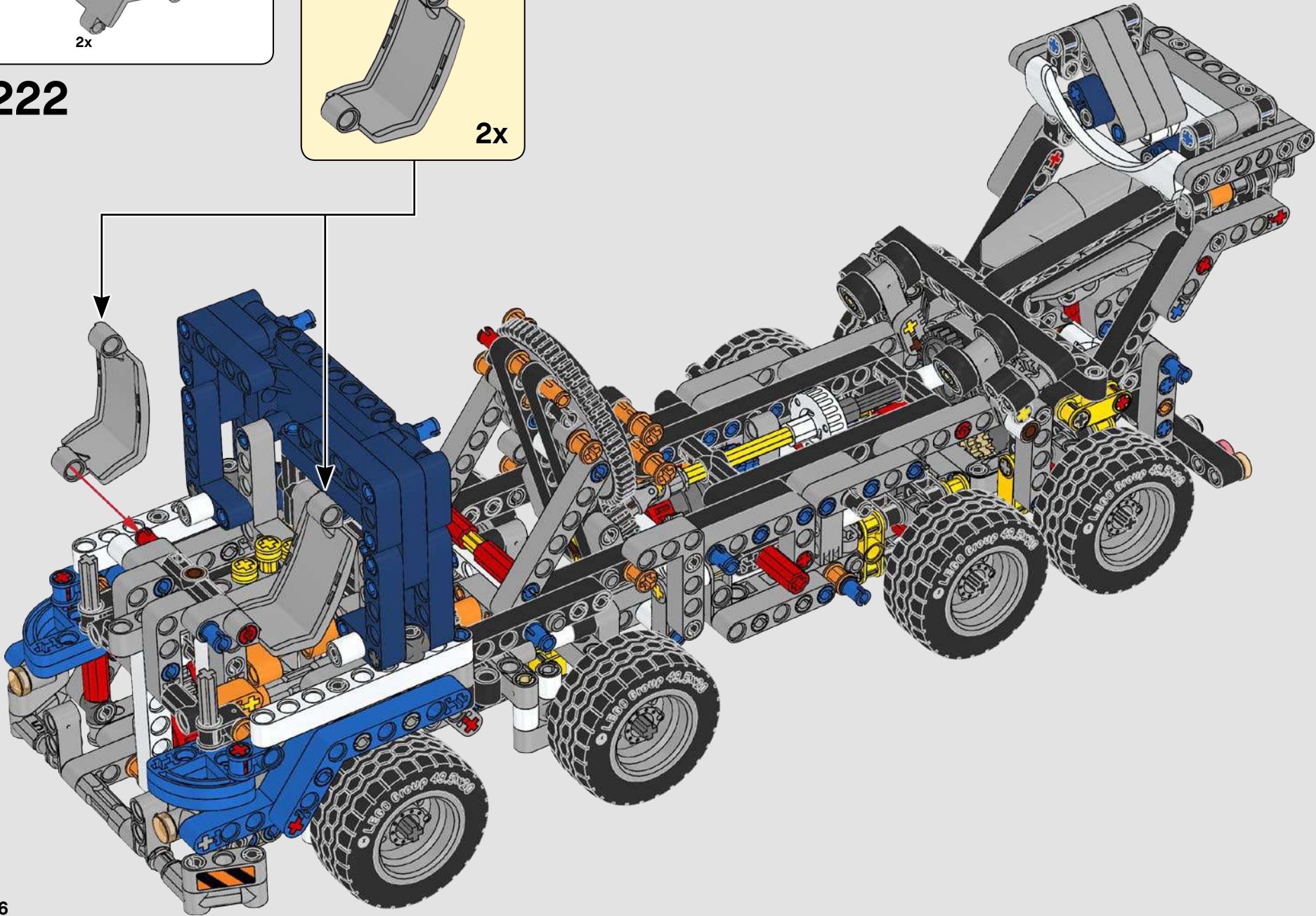
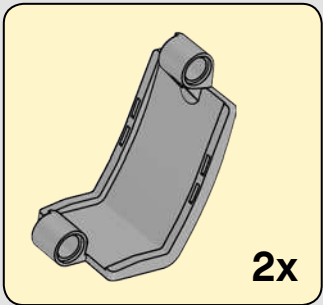


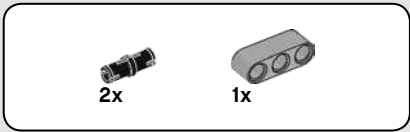
221



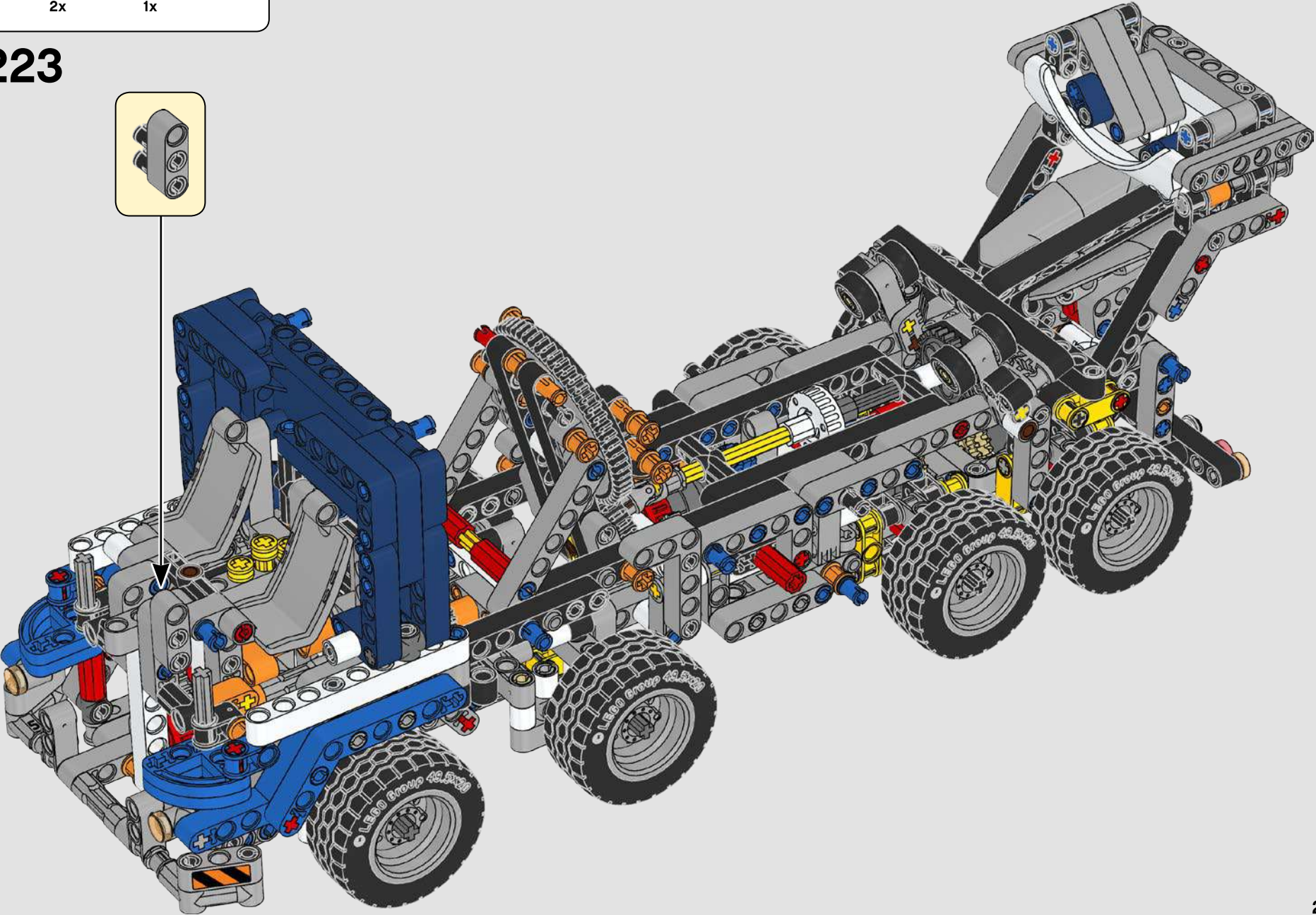
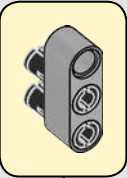


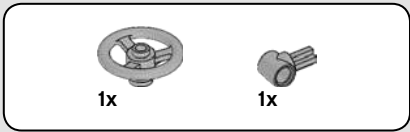
222



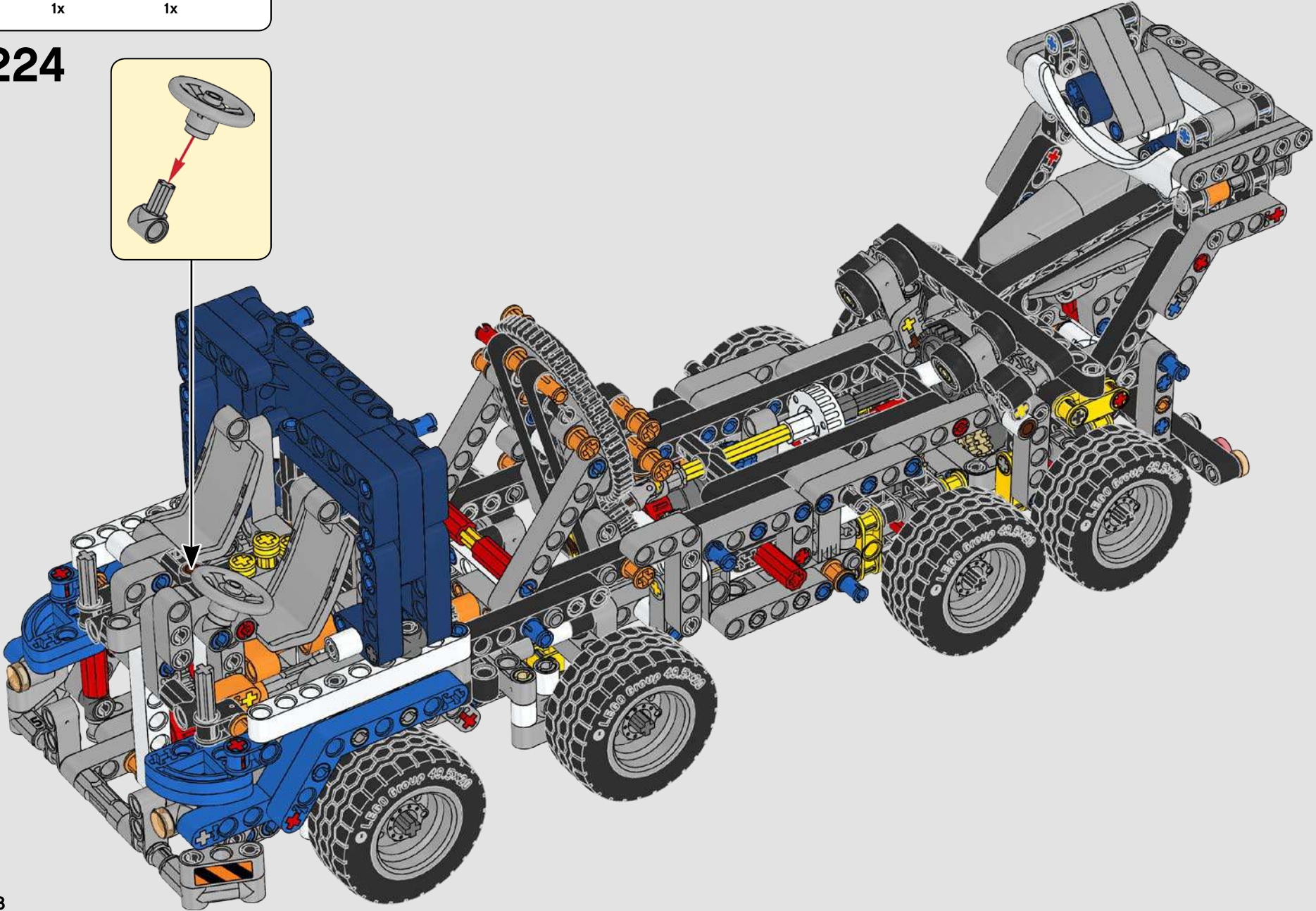
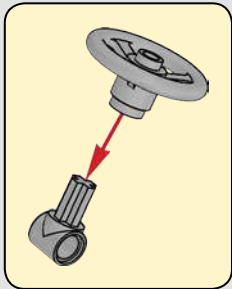


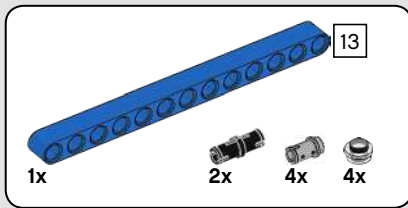
223



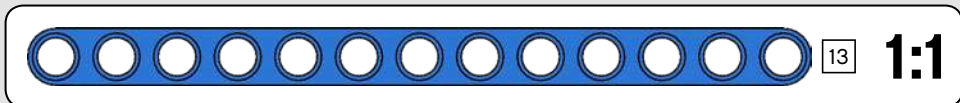
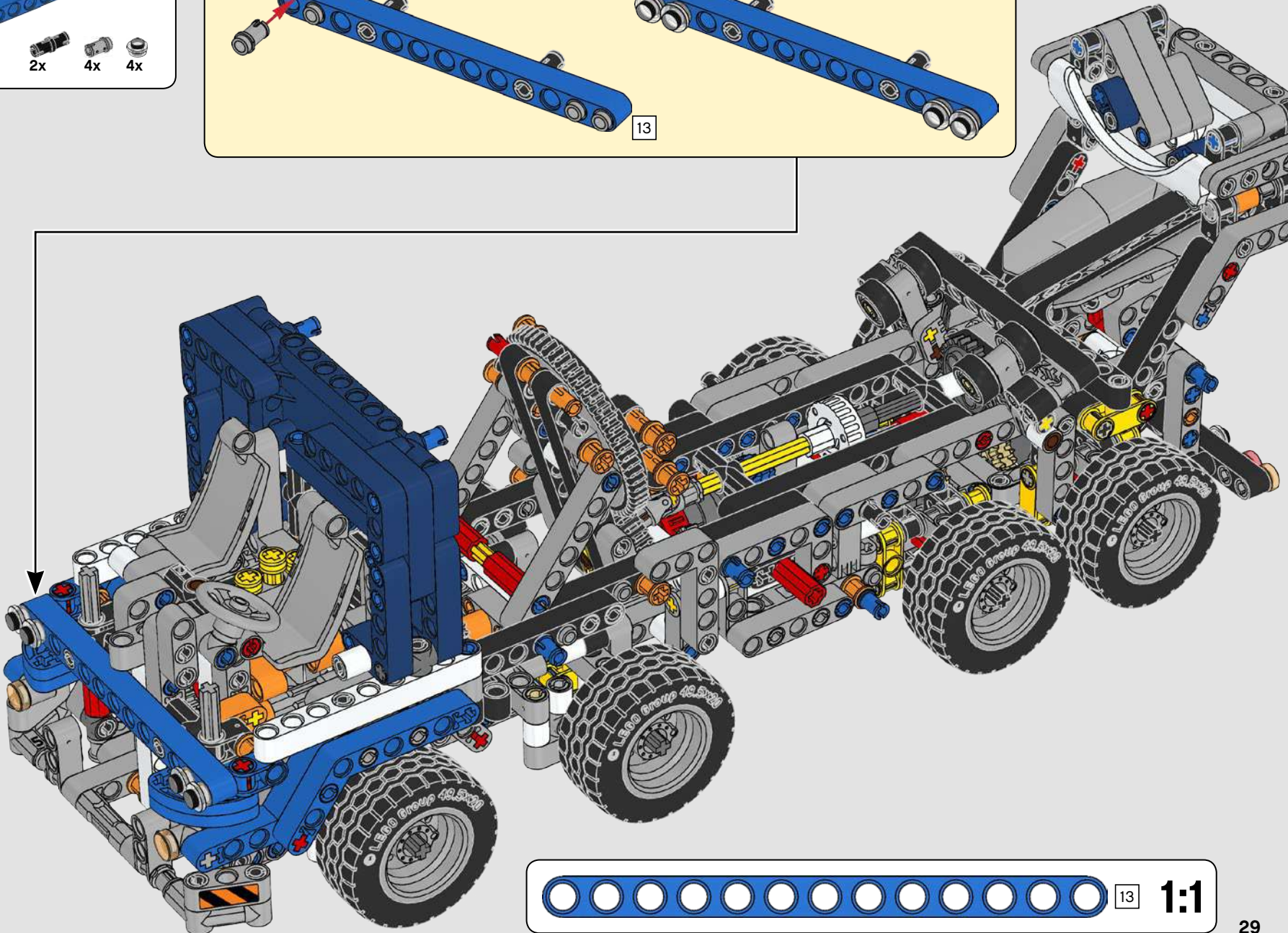
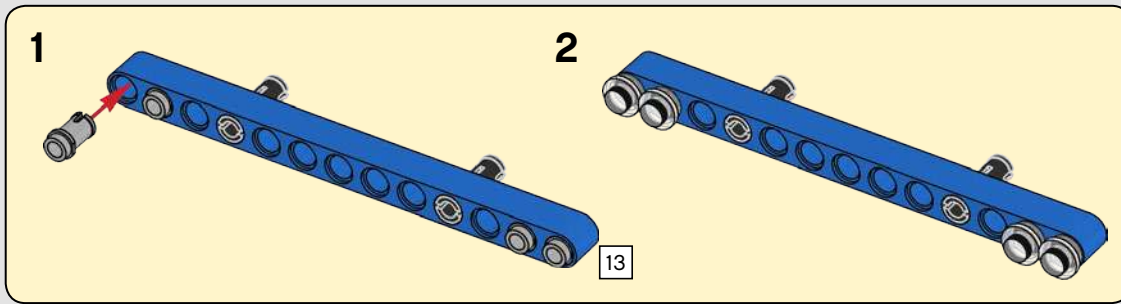


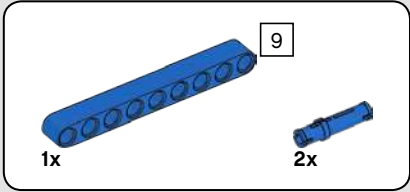
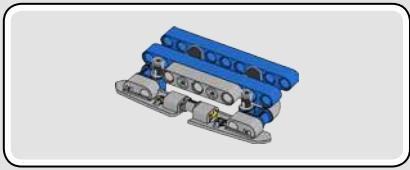
224



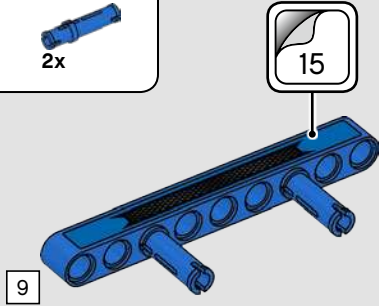


225

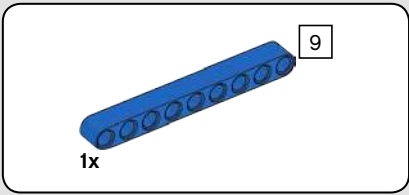
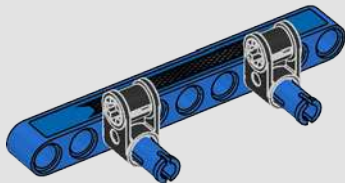




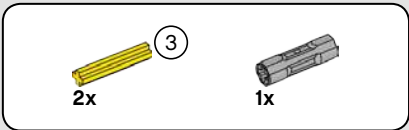
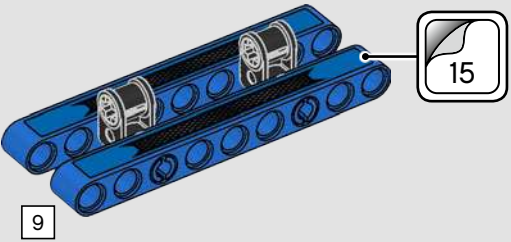
226



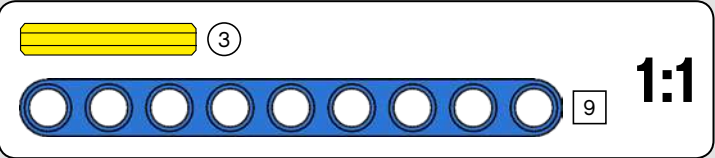
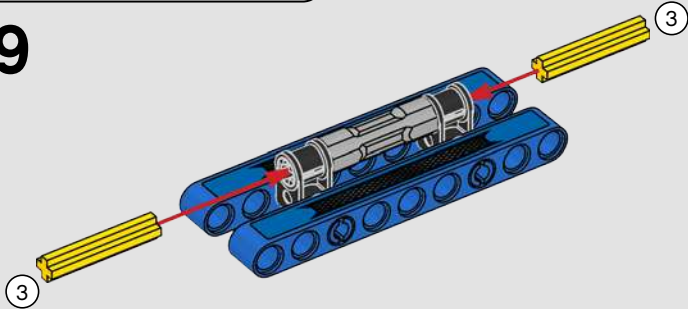
227

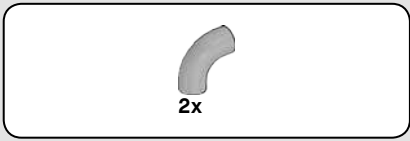


228

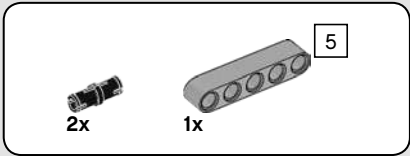
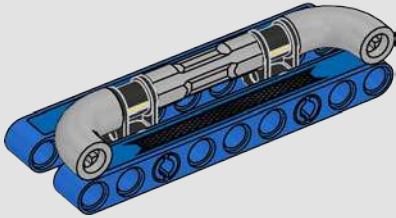


229

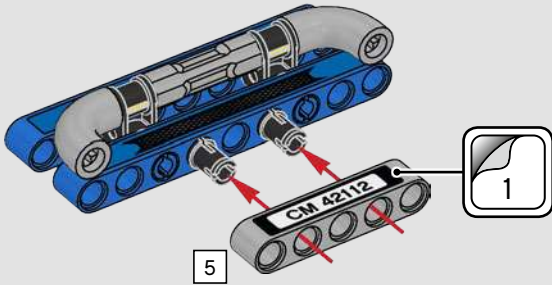




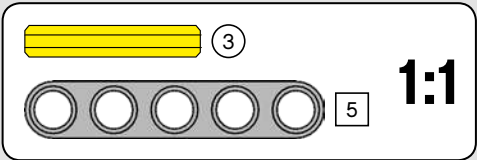
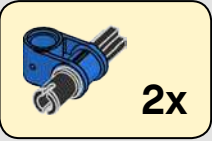
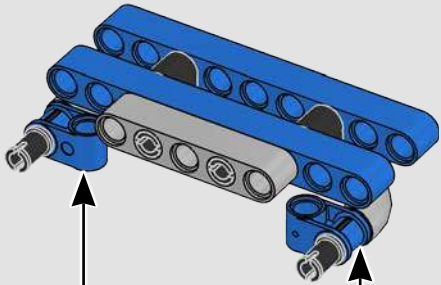
230

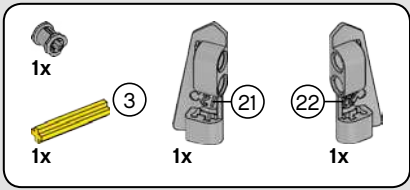


231

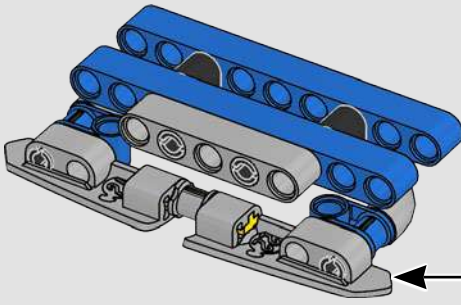
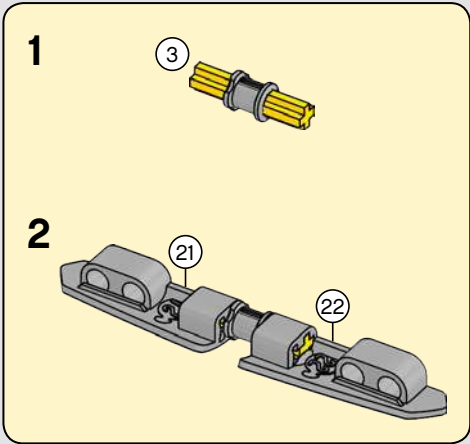


232

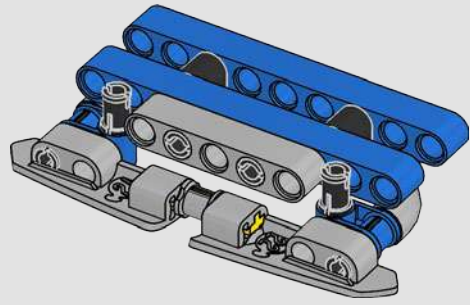




# 233

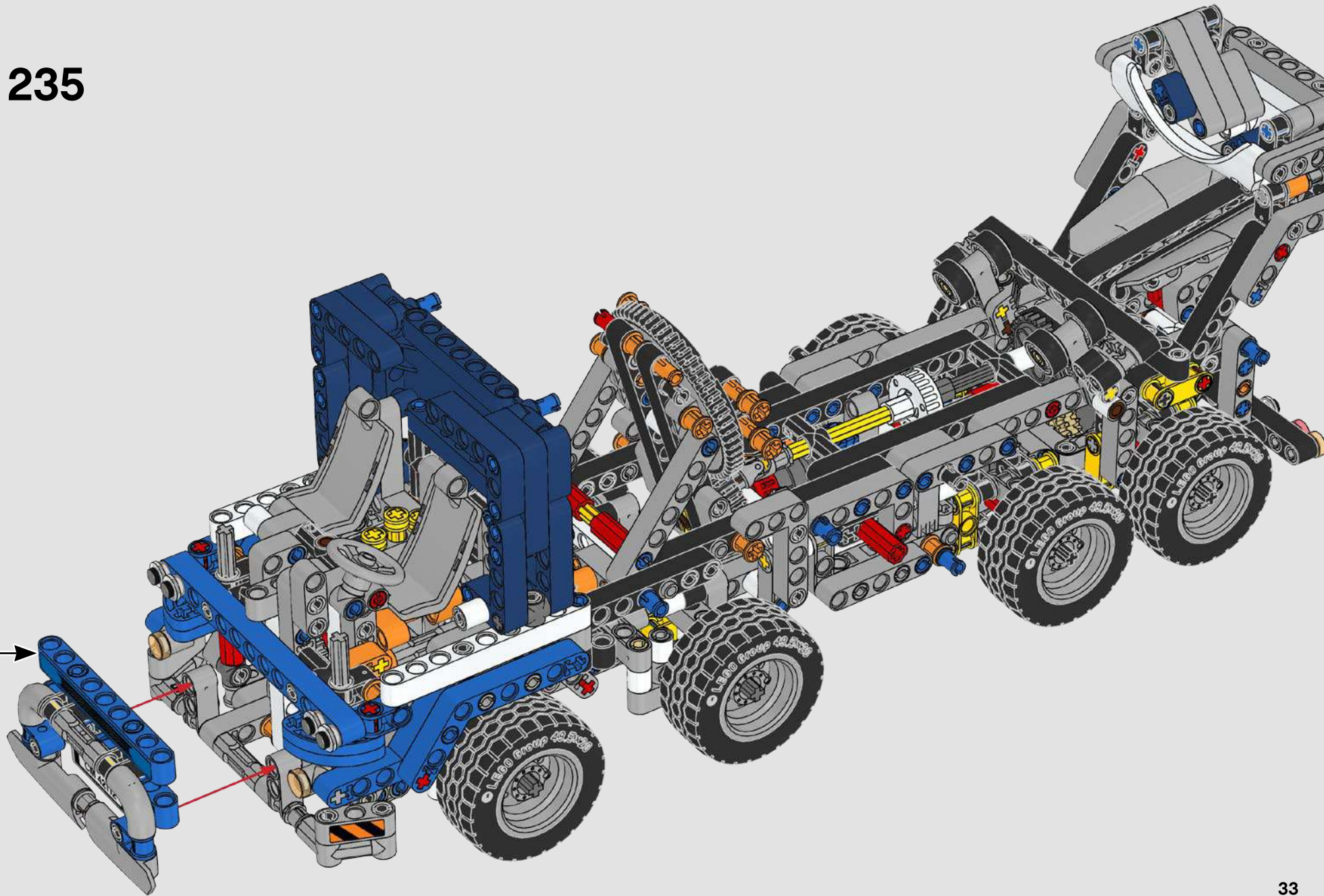


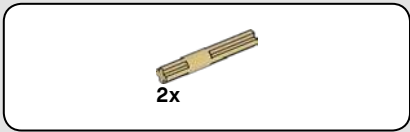
# 234



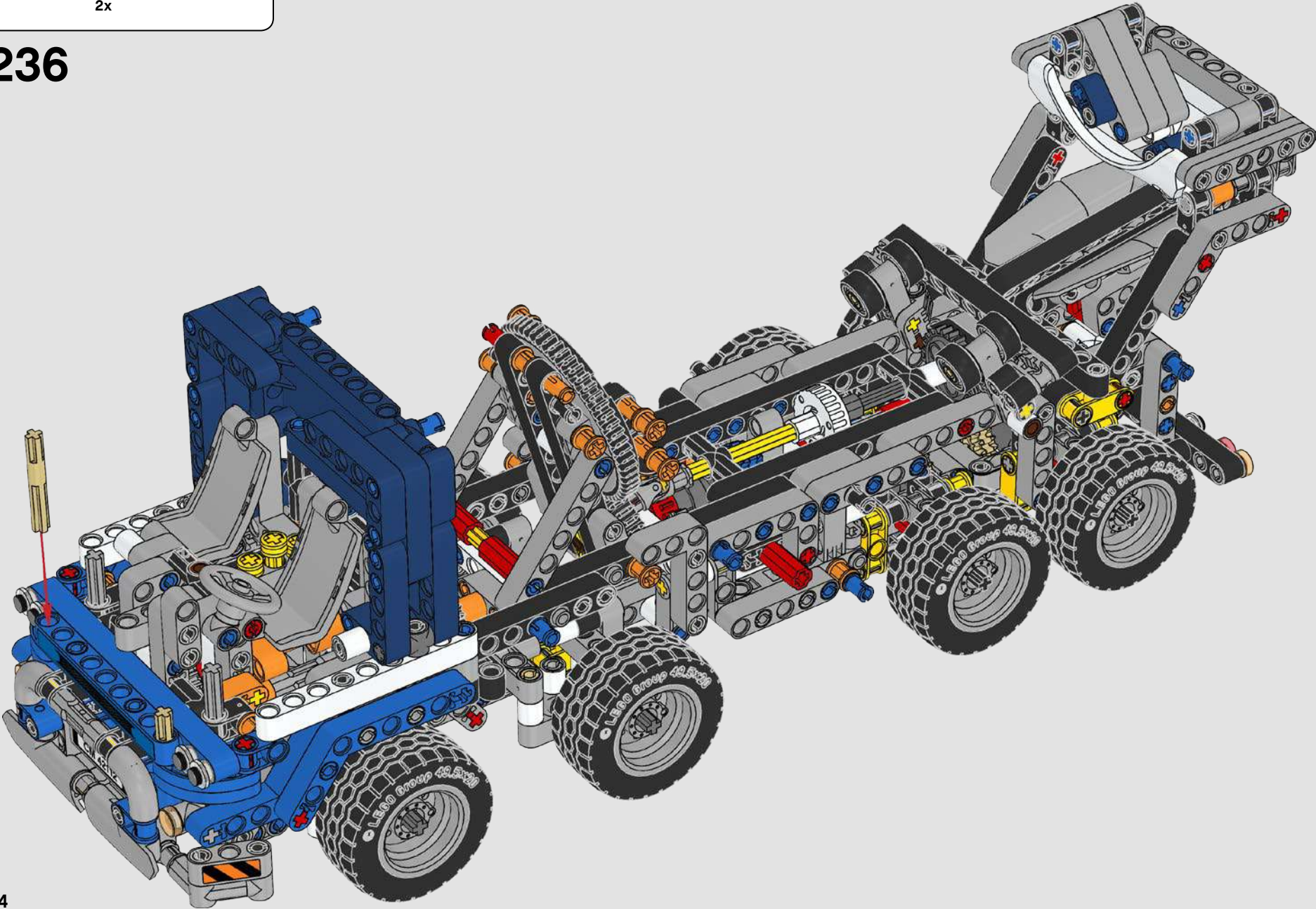


235





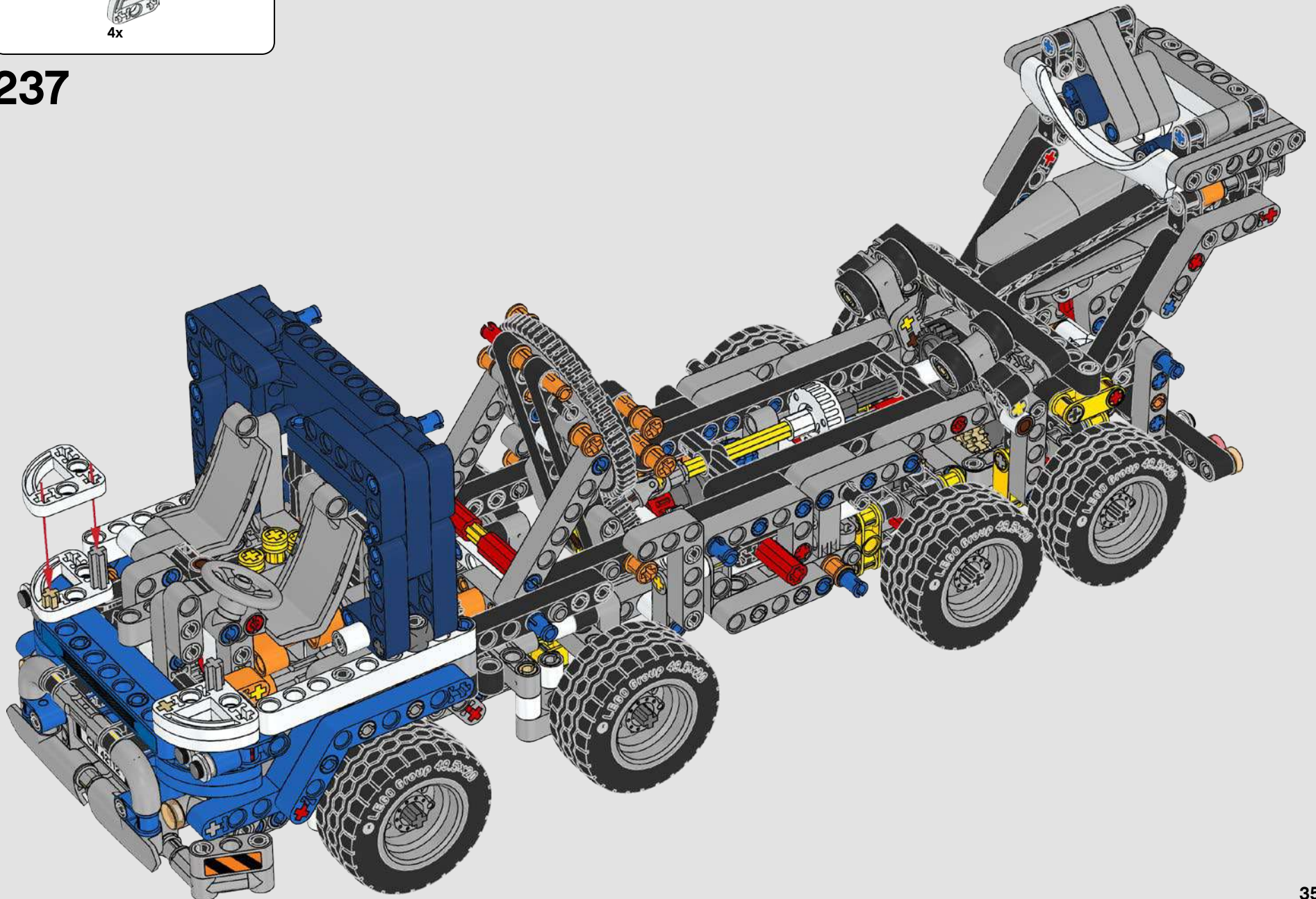
236

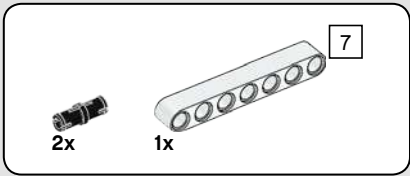




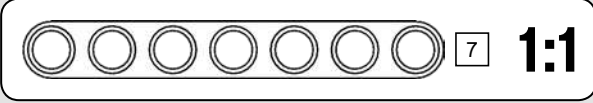
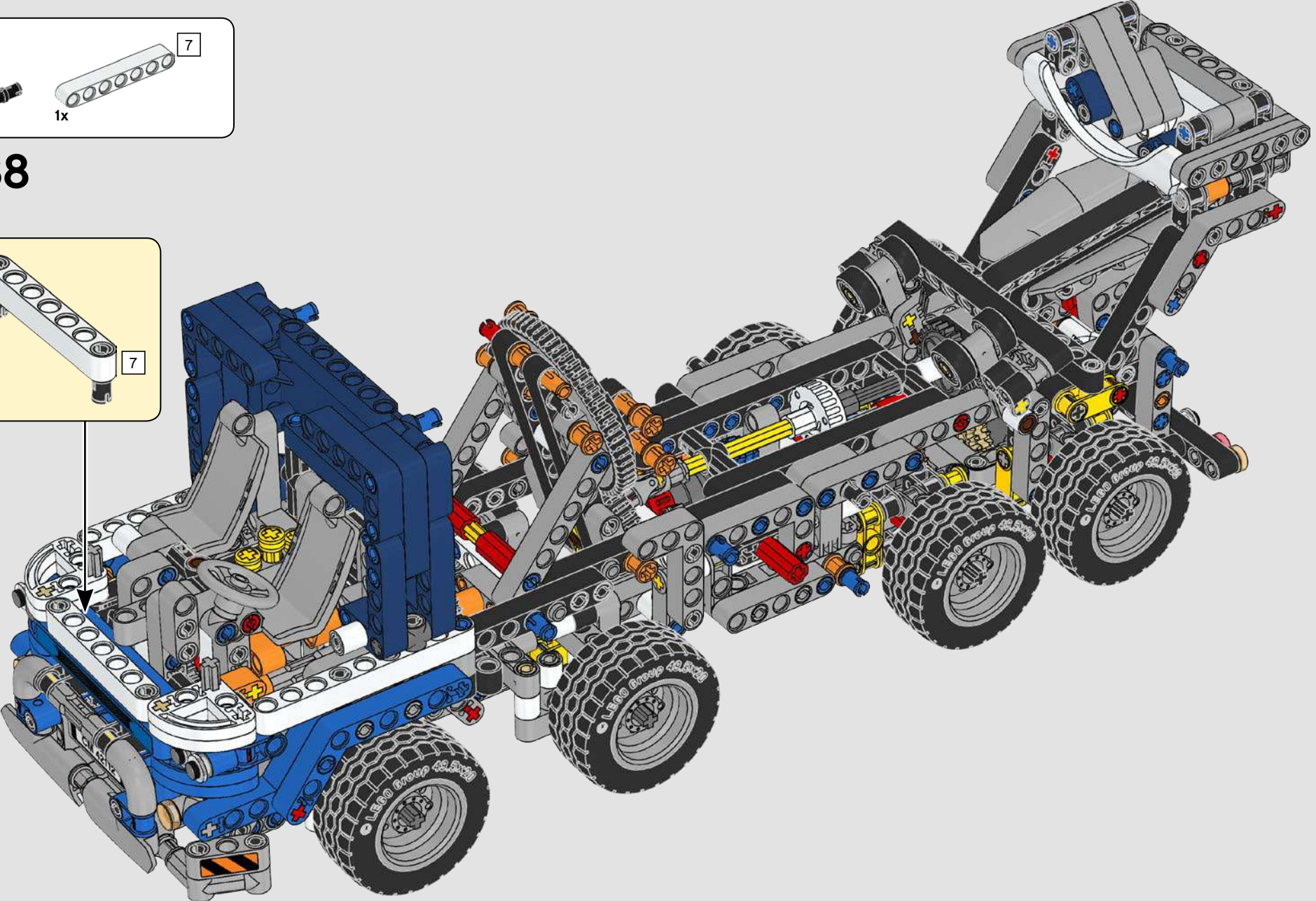
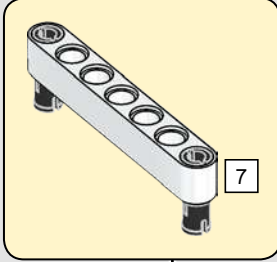
4x

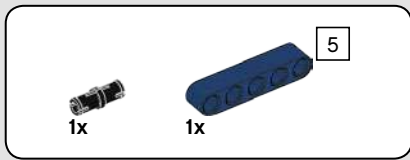
237



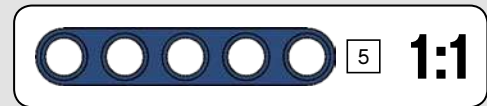
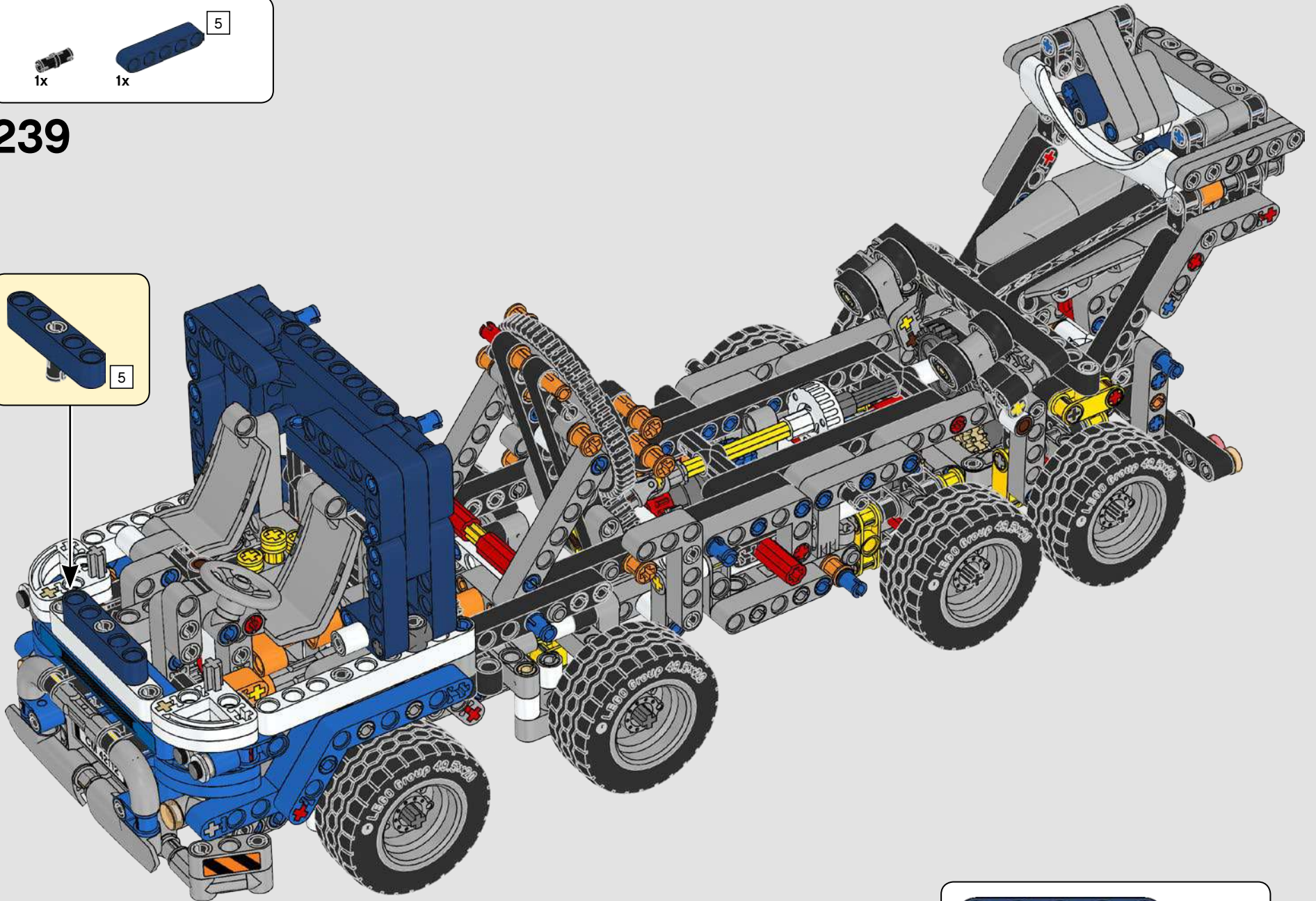
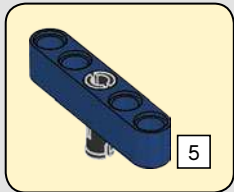


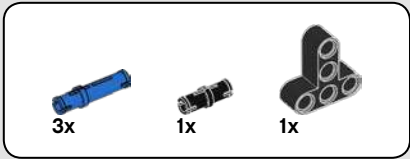
238



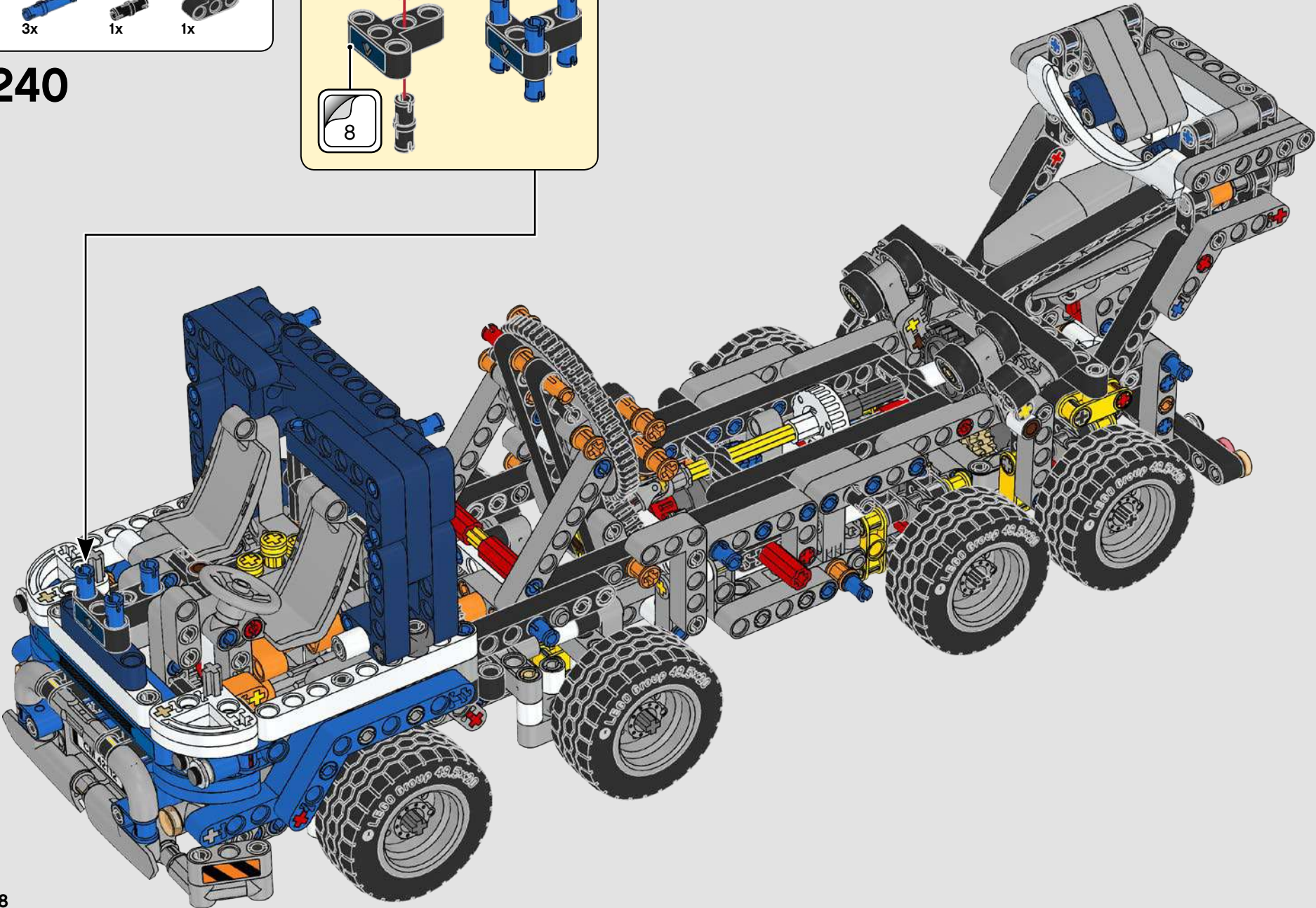
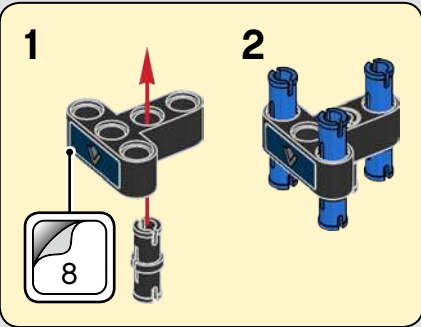


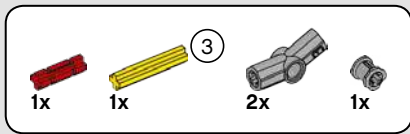
239



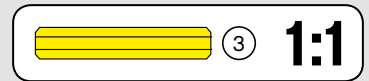
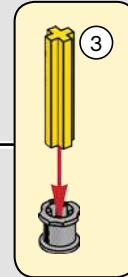
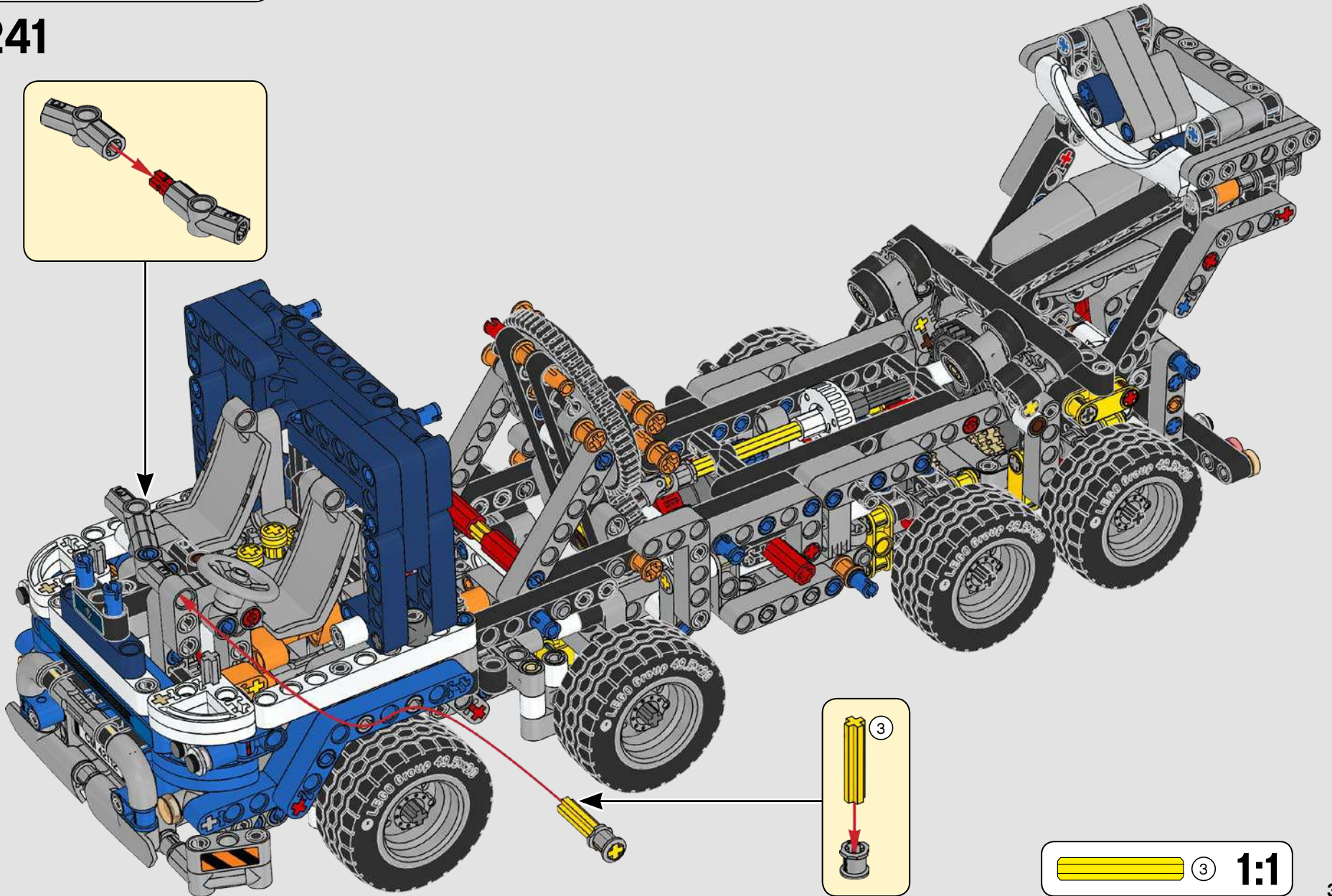
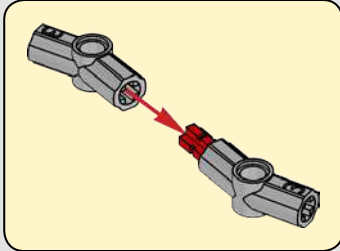


240





241



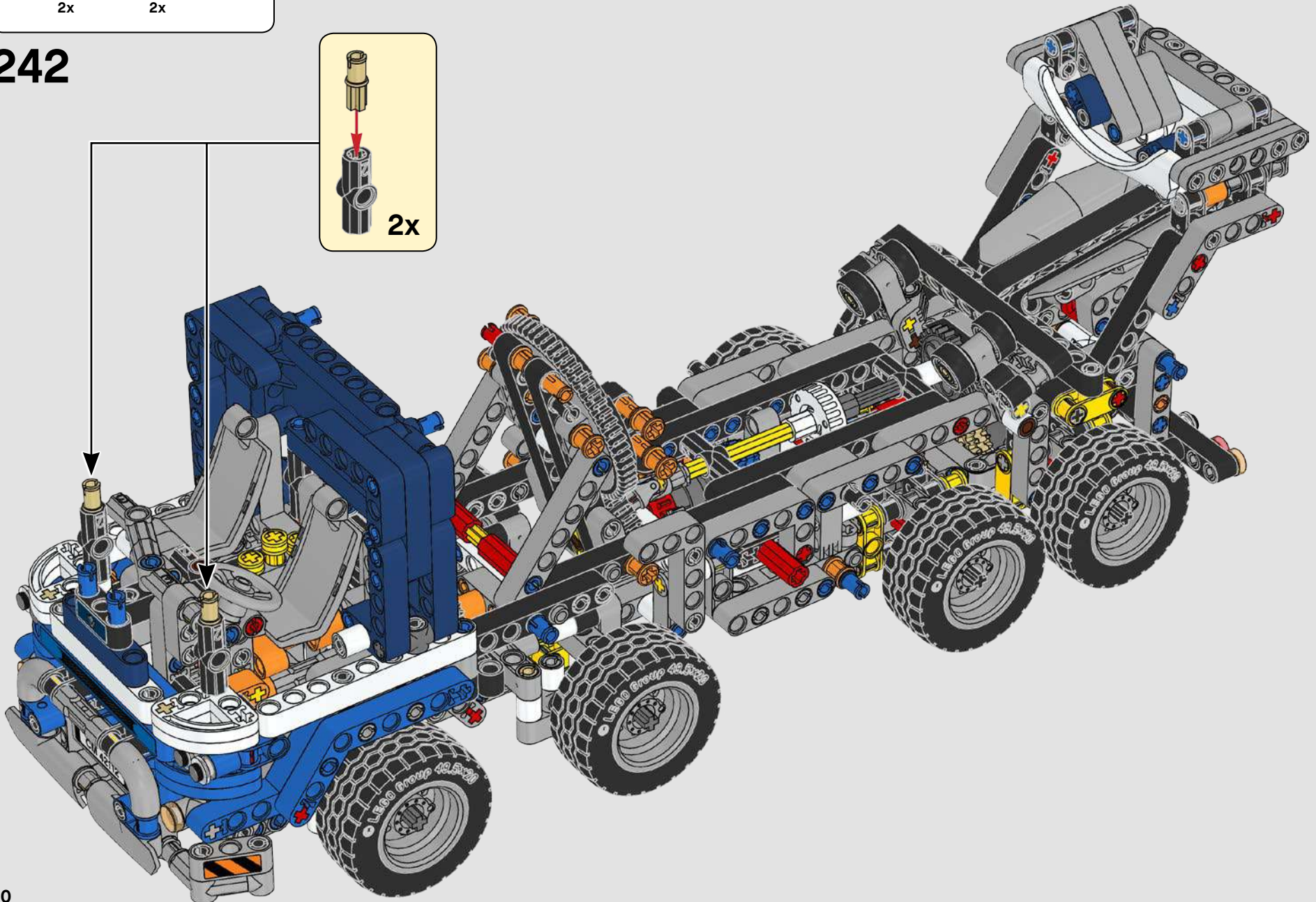
2x

2x

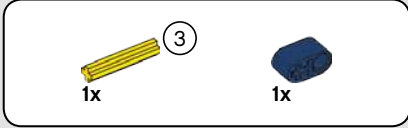
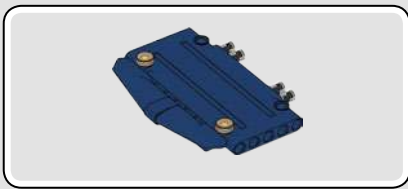
242



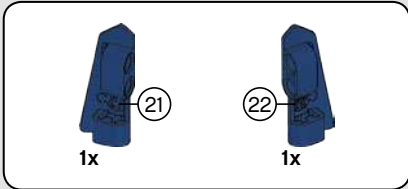
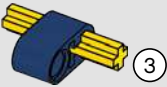
2x



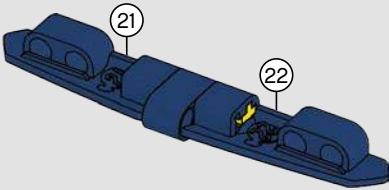




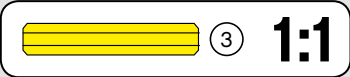
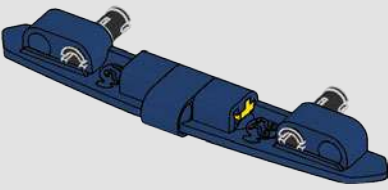
243

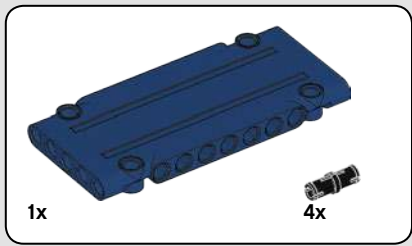


244

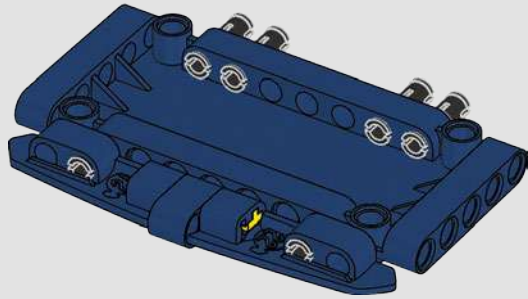


245

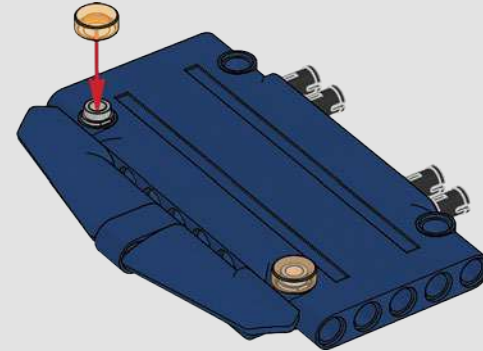
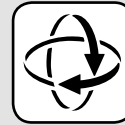




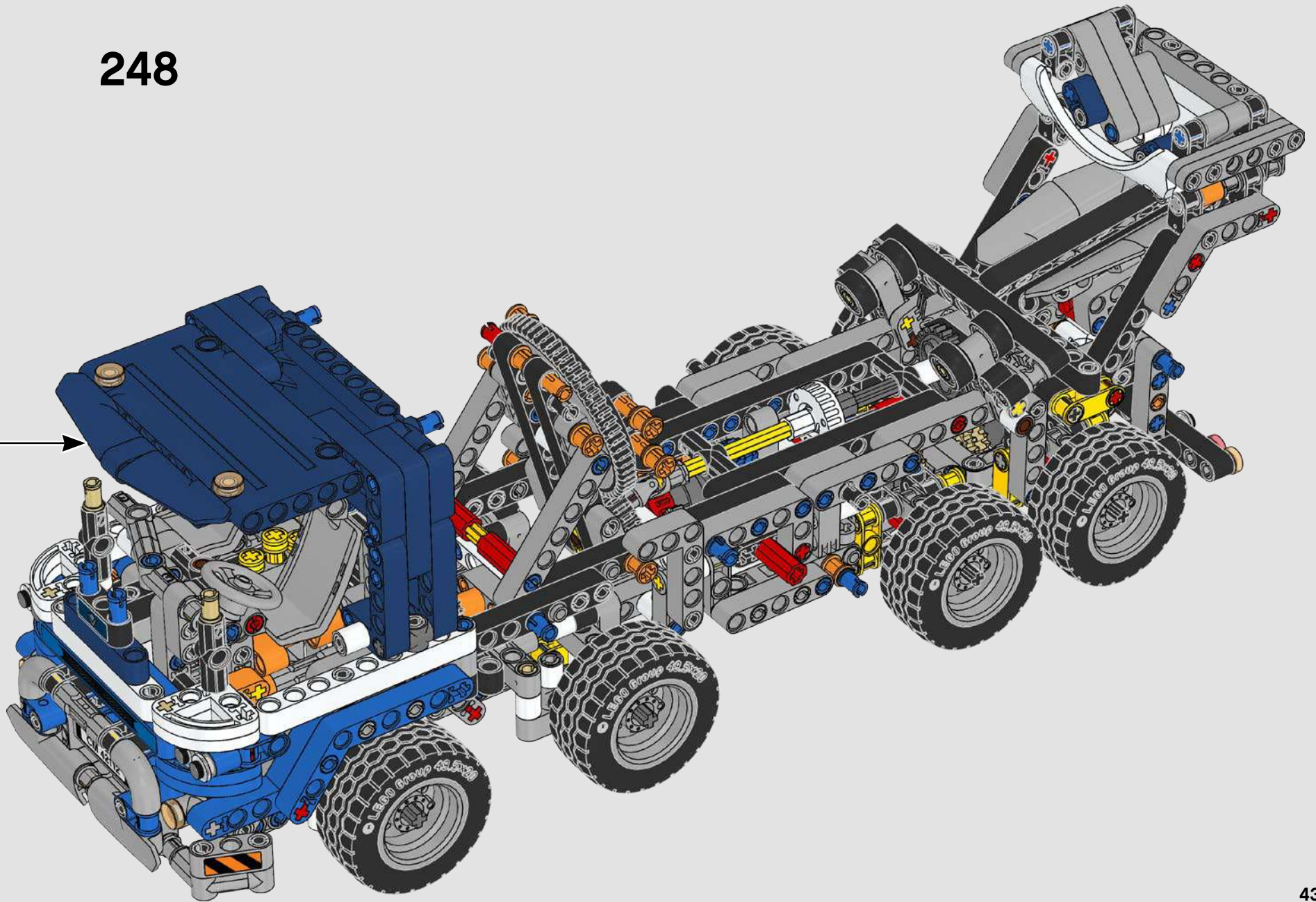
246

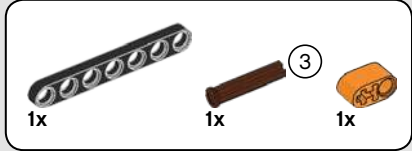


247

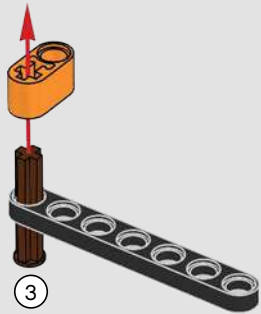


248

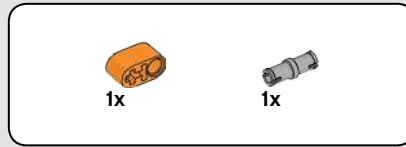




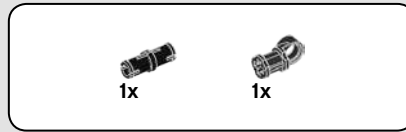
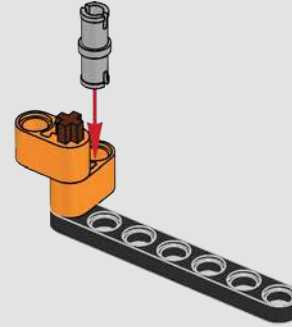
249



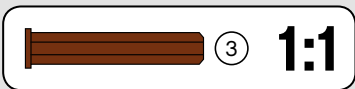
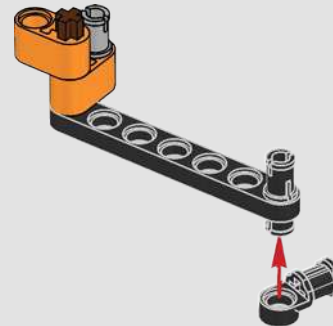
3

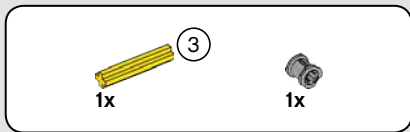


250

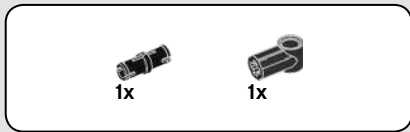
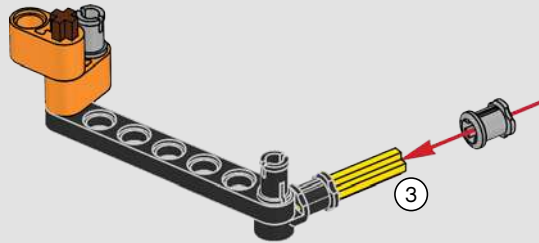


251

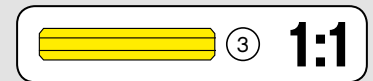
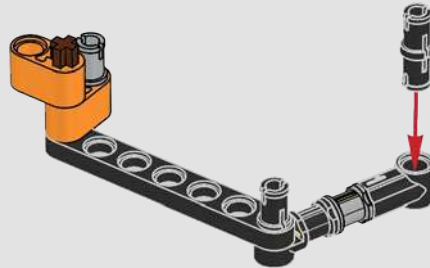




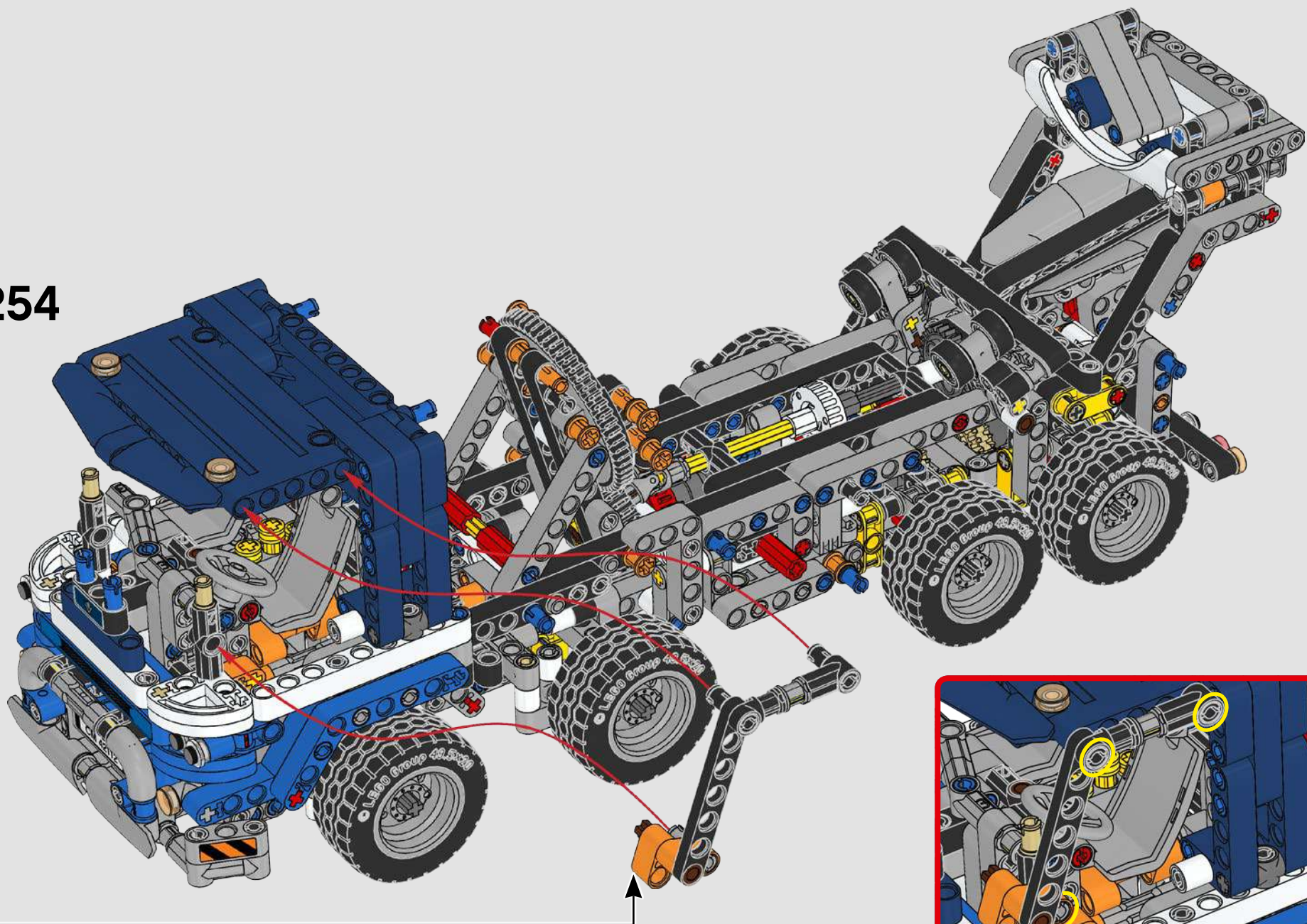
252

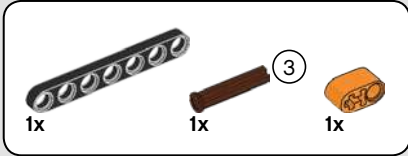
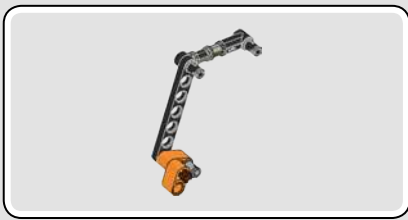


253

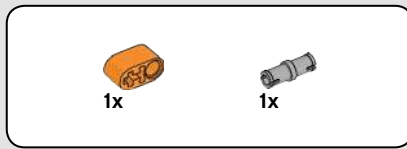
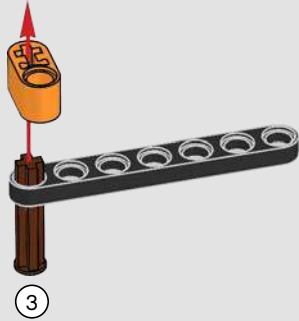


254

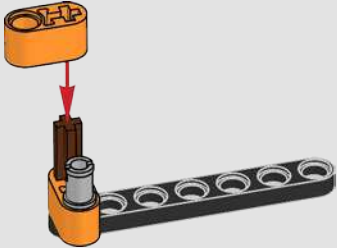




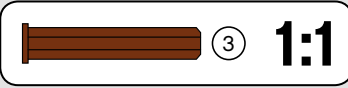
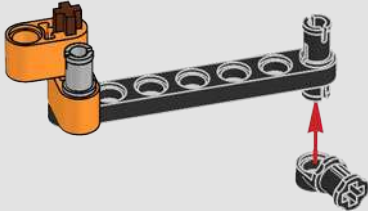
255

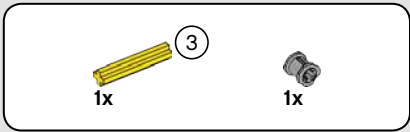


256

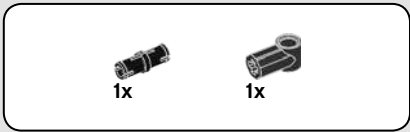
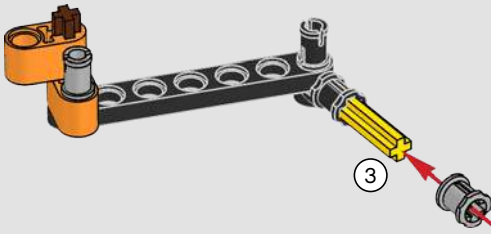


257

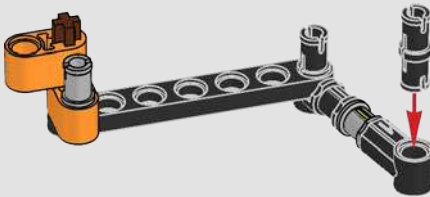




258

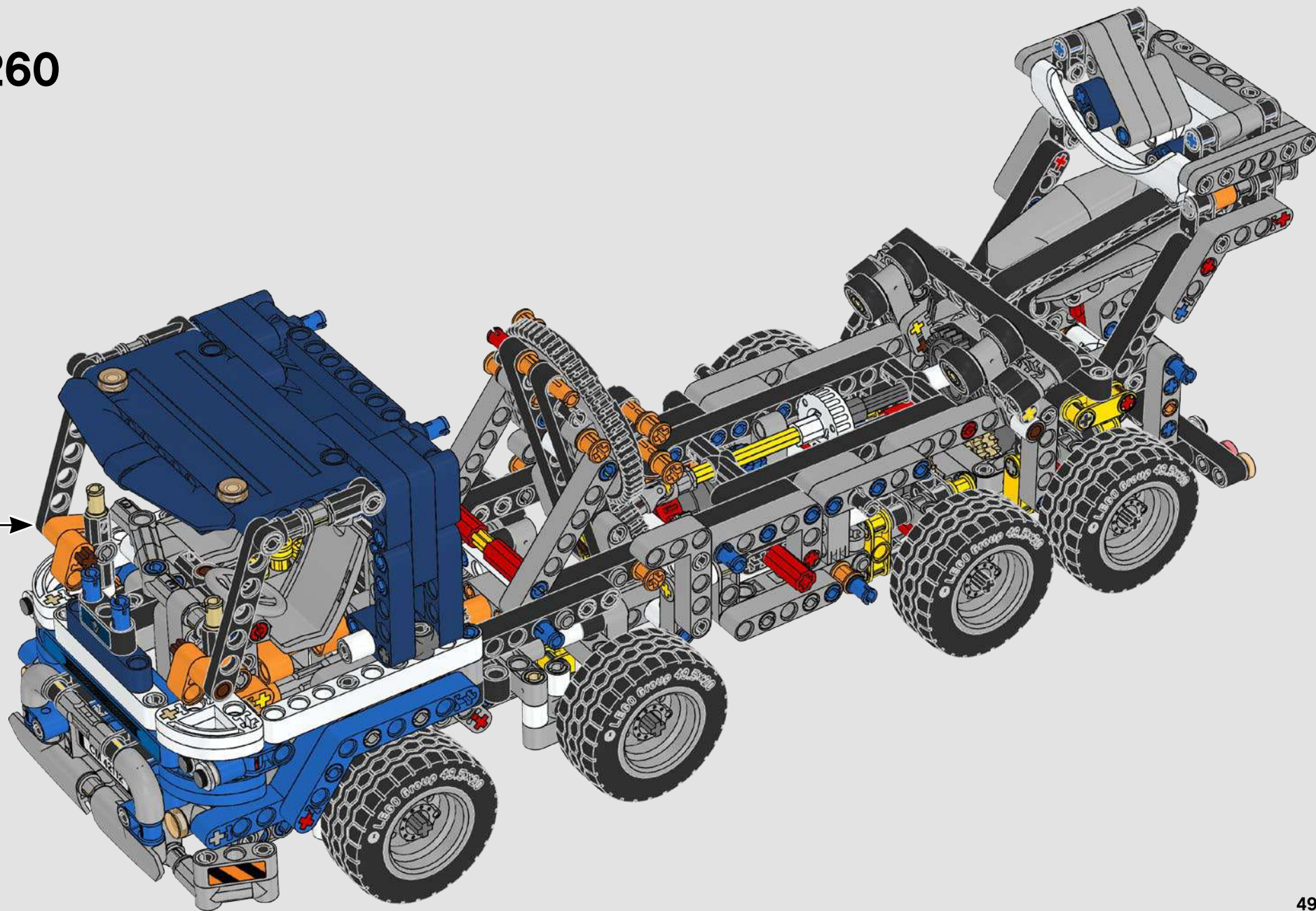


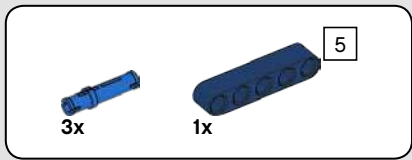
259



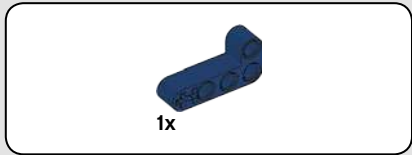
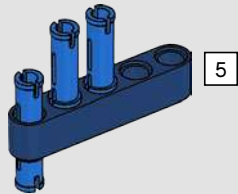


260

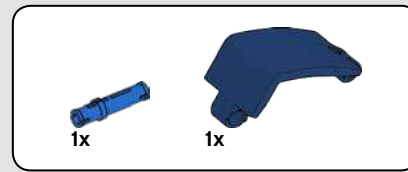
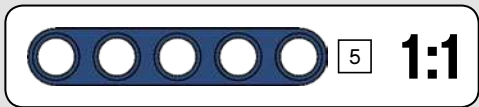
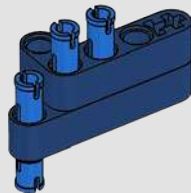




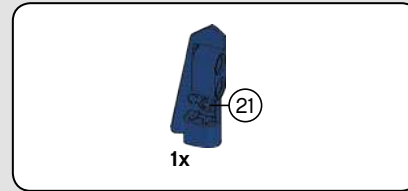
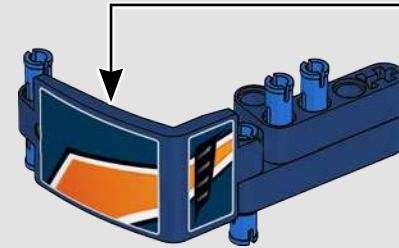
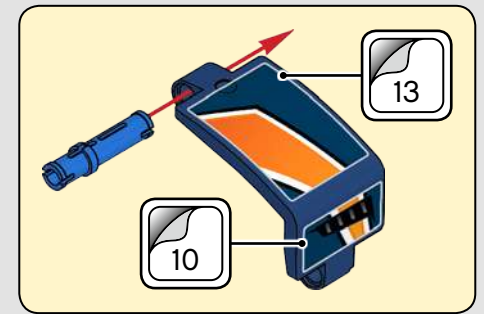
261



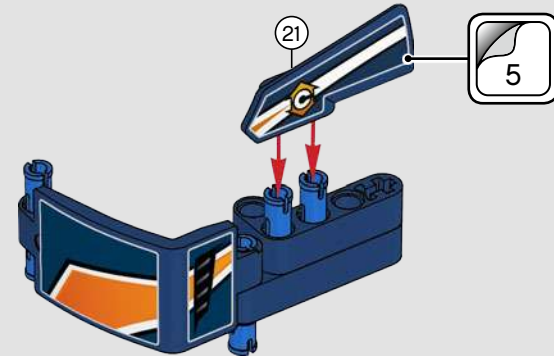
262



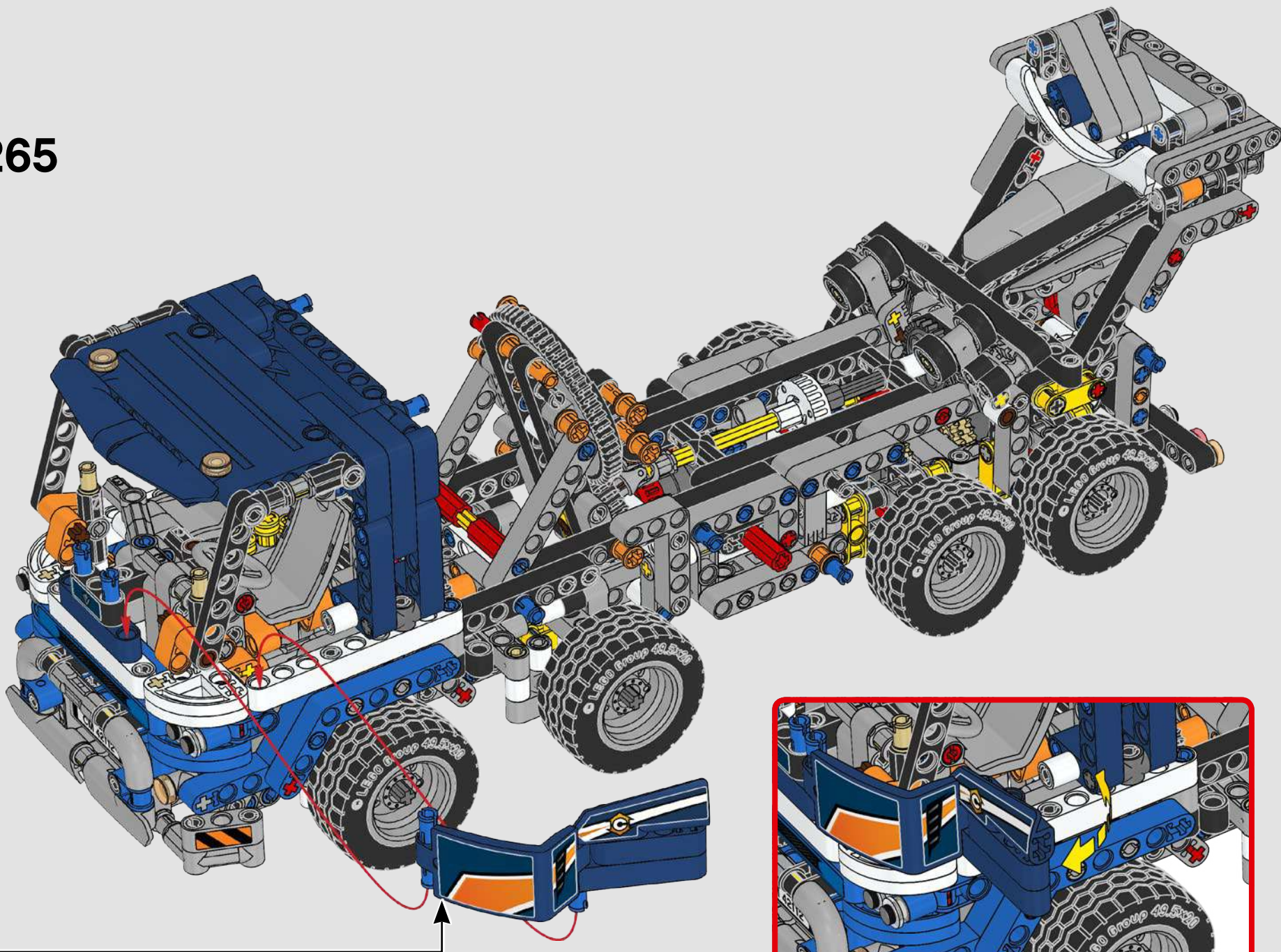
263

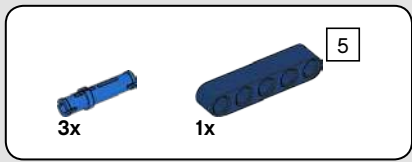


264

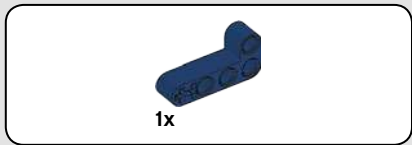
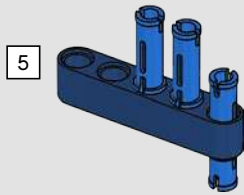


265

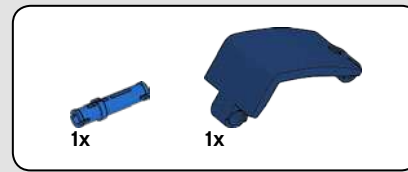
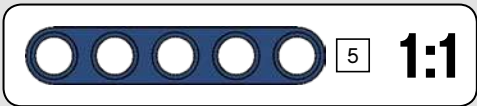
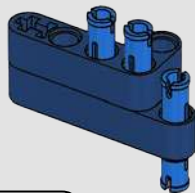




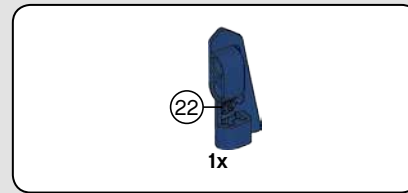
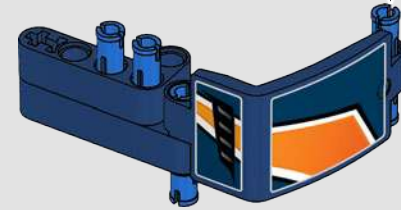
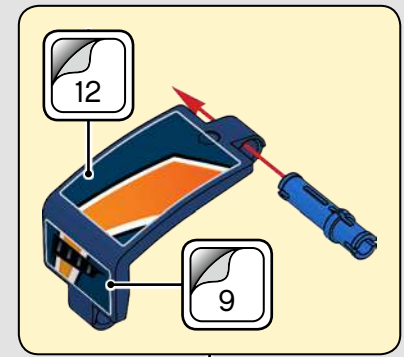
266



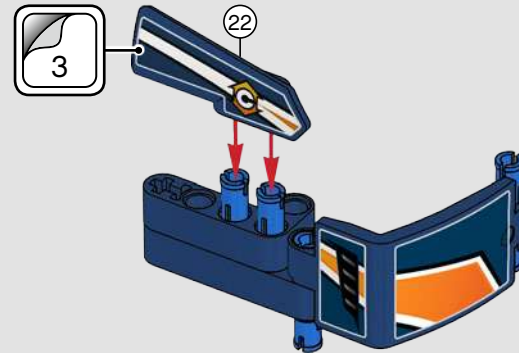
267



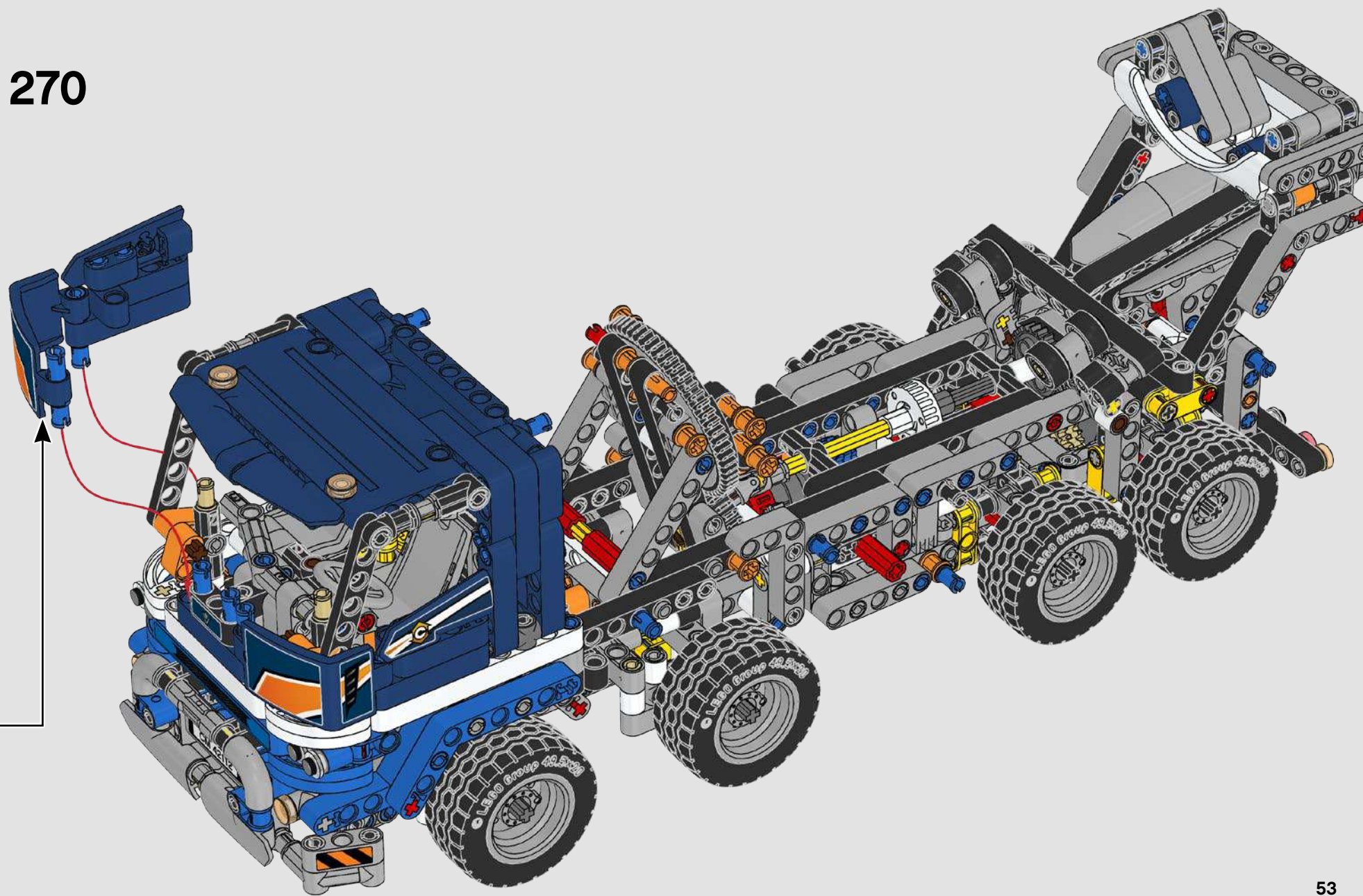
268

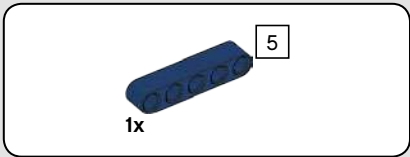


269

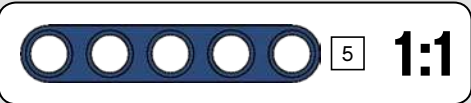
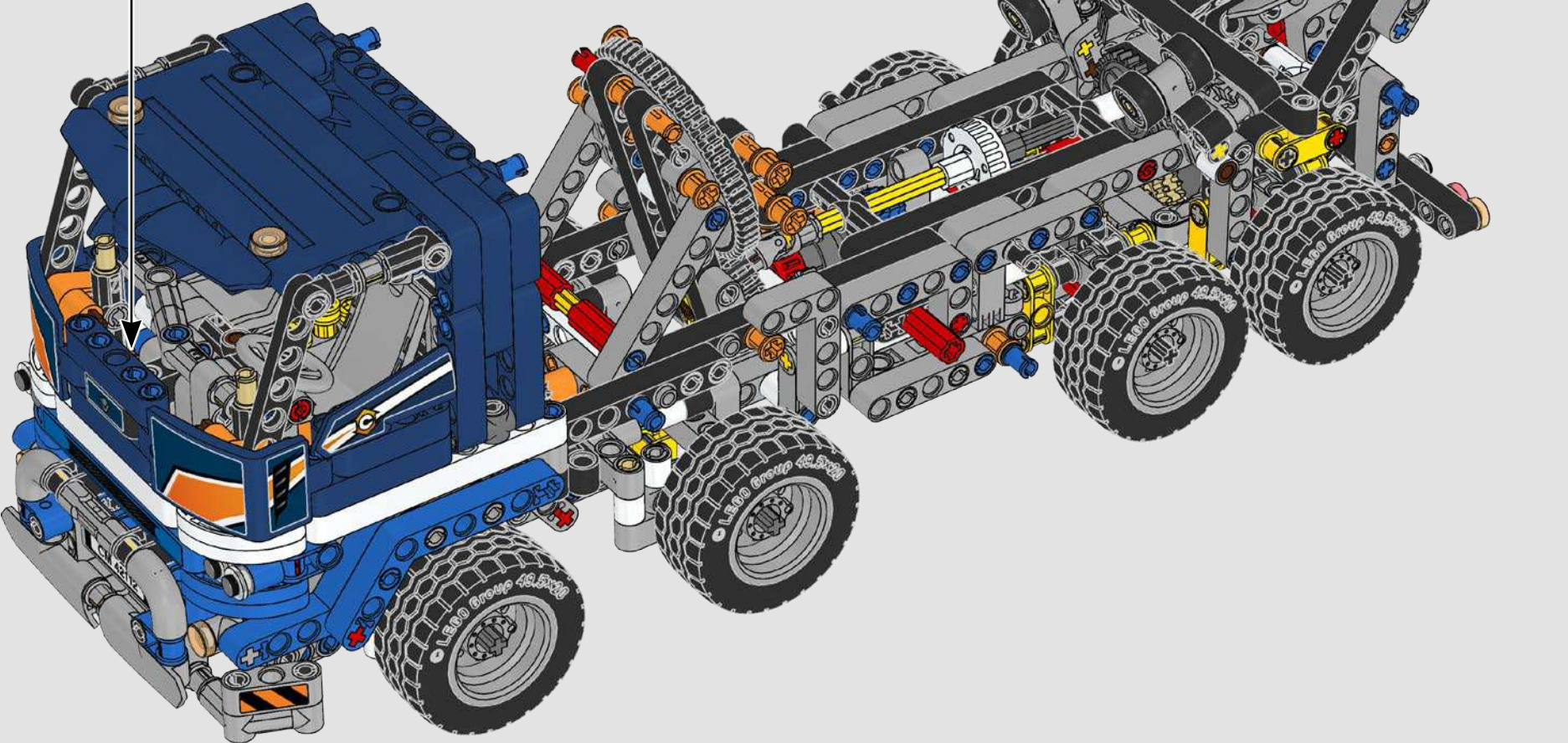
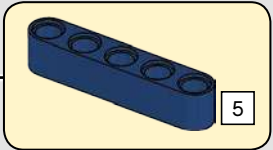


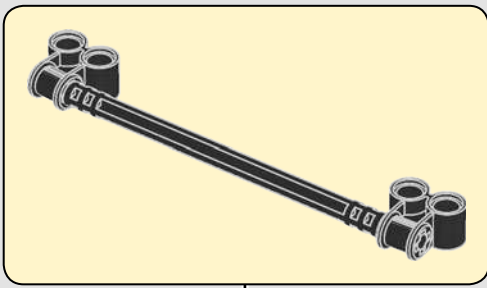
270



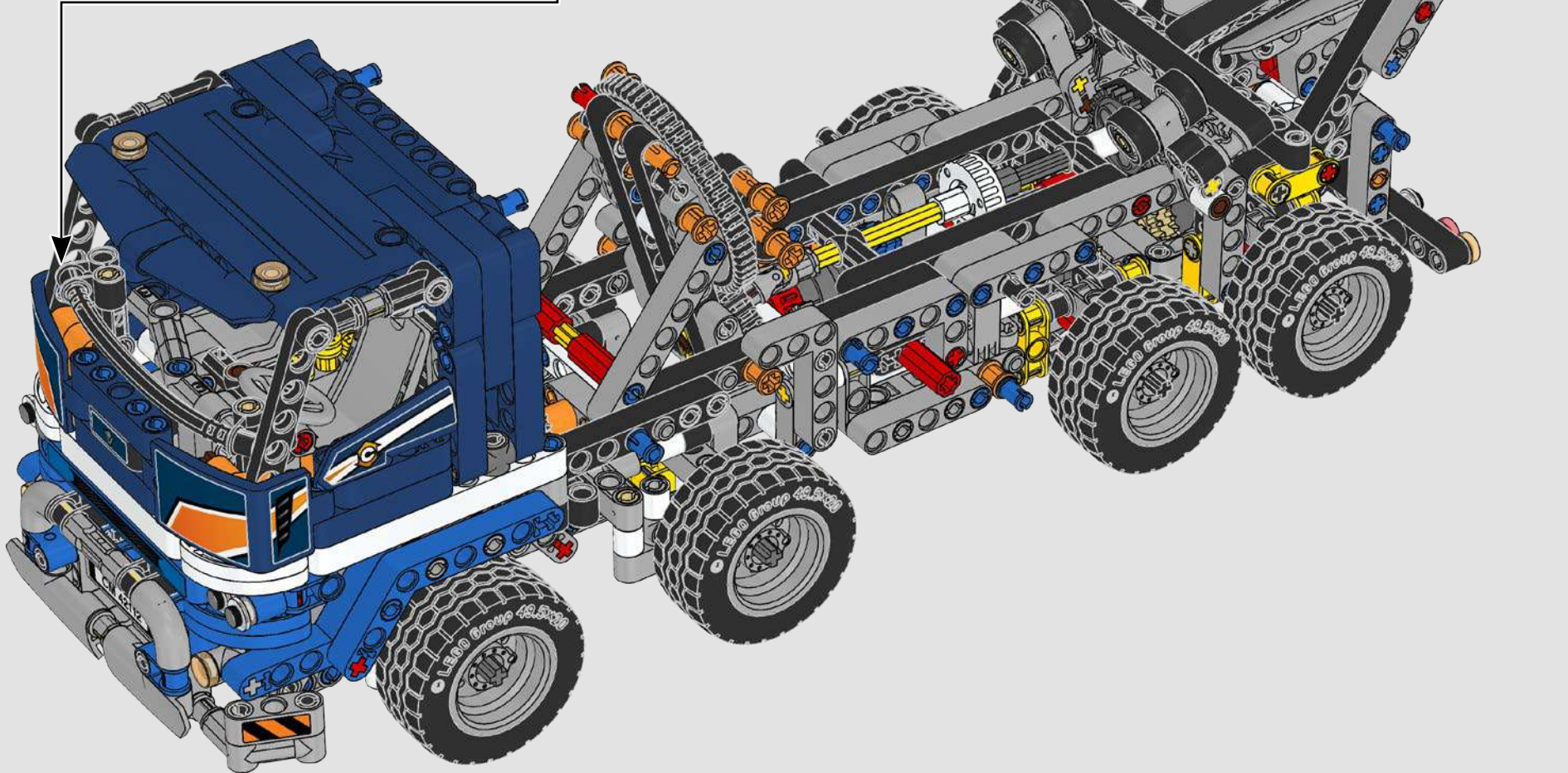


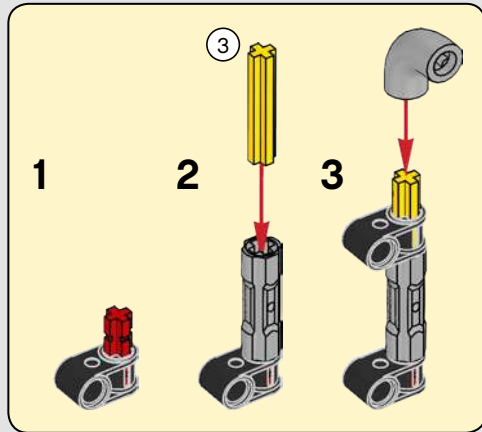
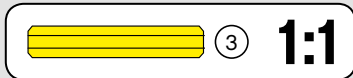
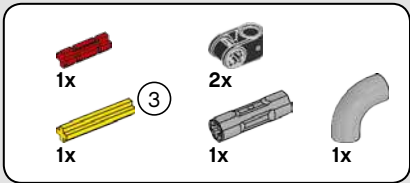
271



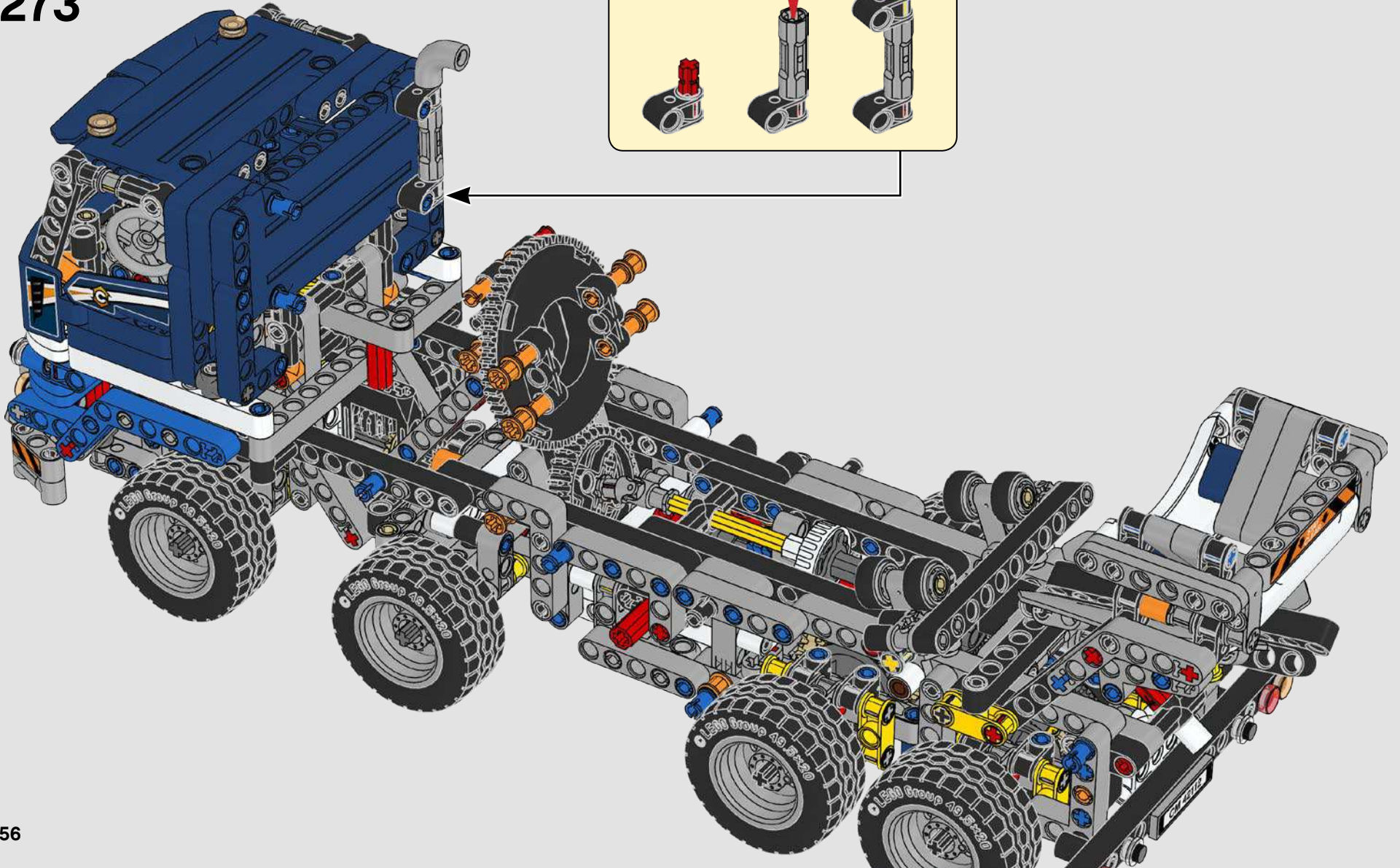


272

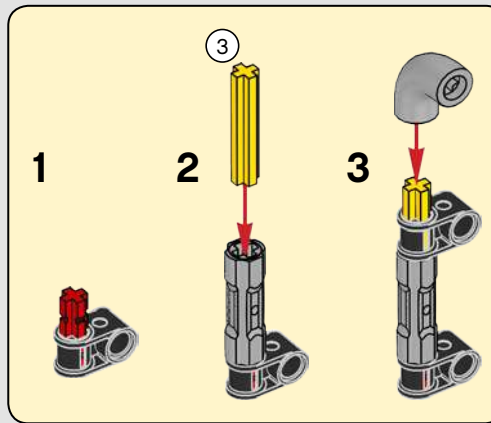
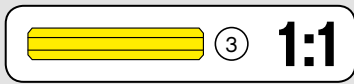
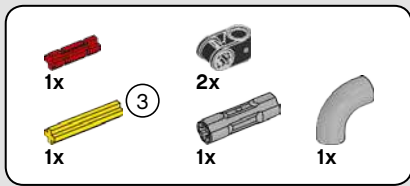




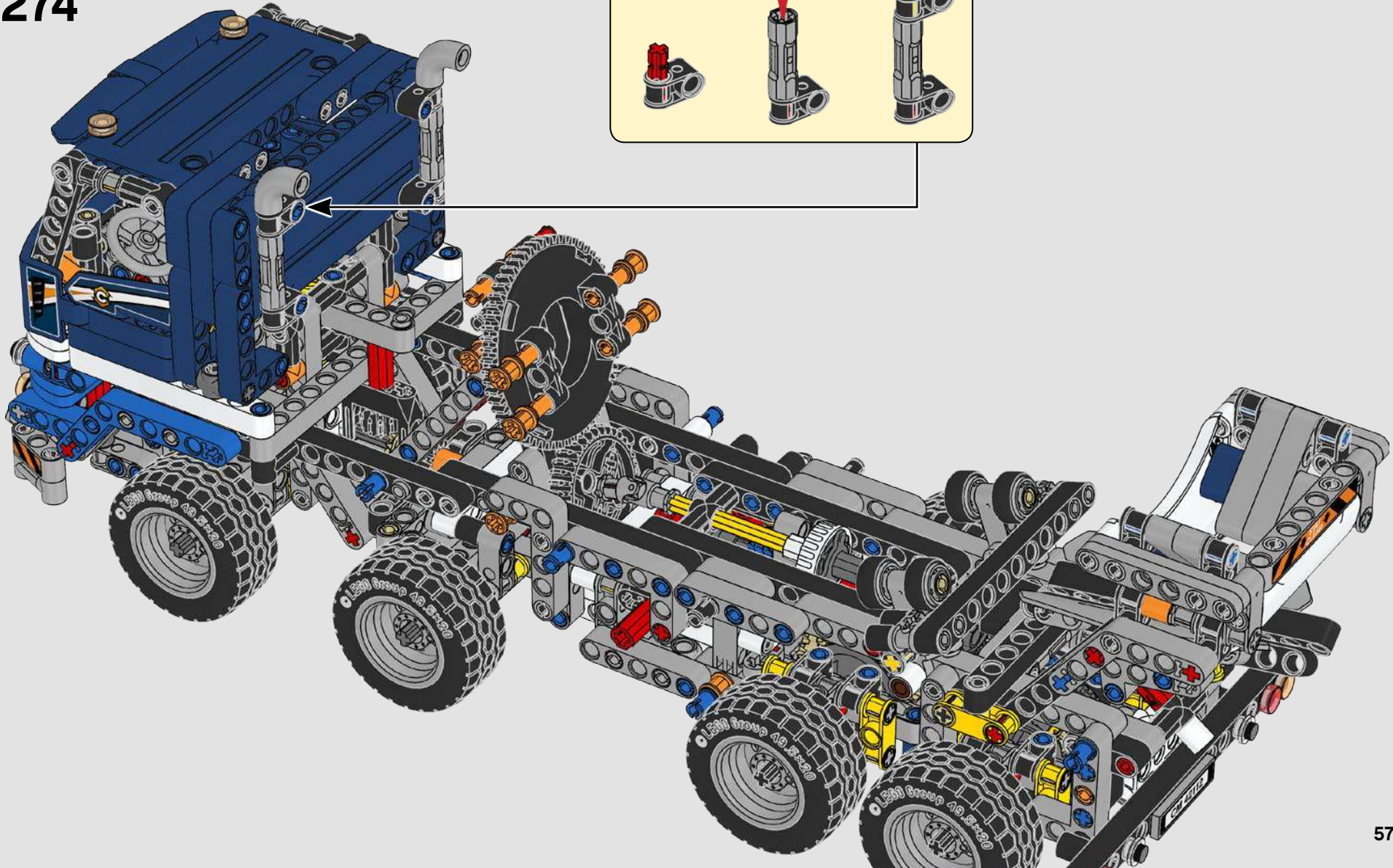
273

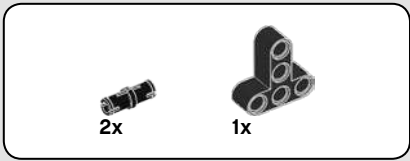




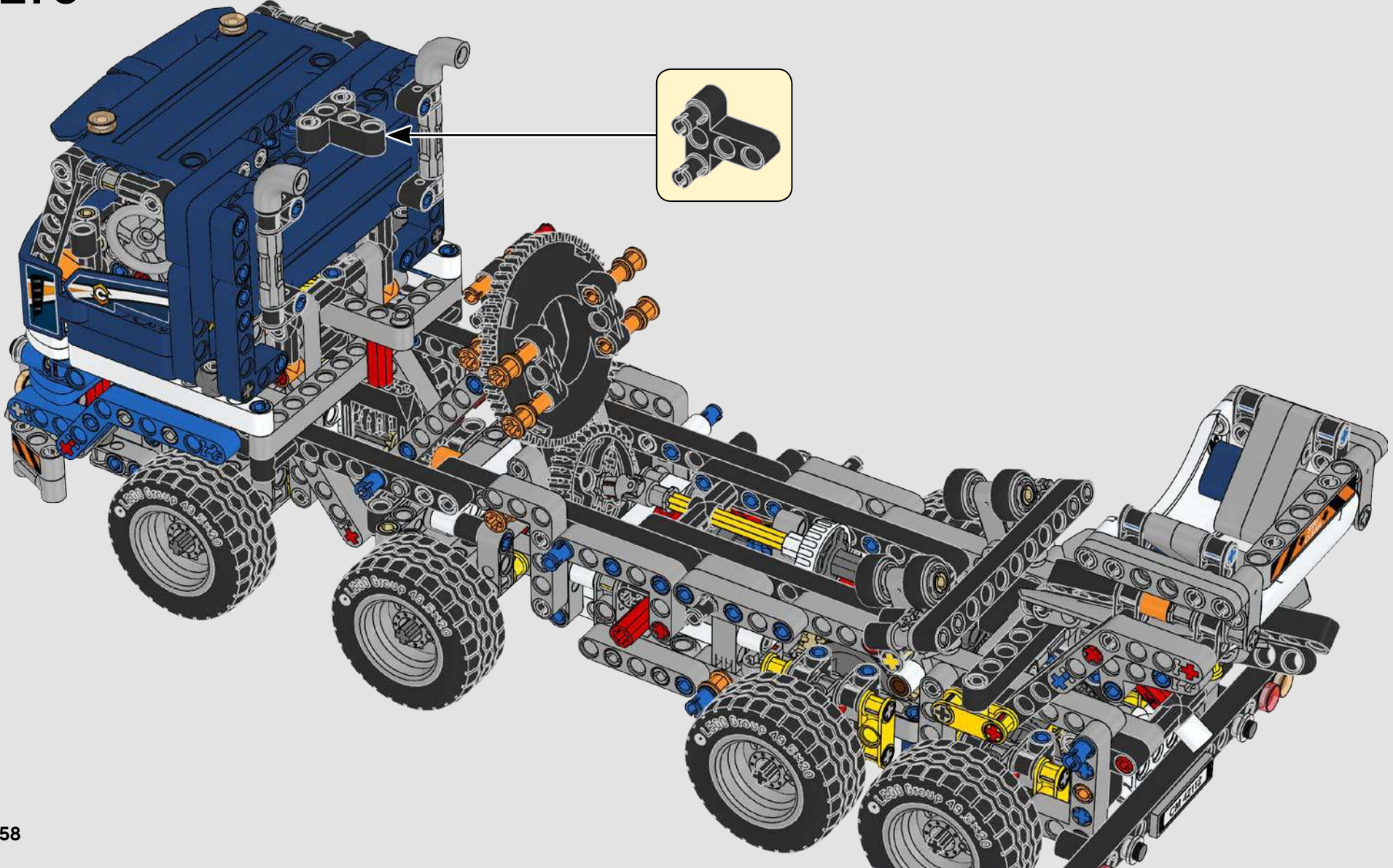


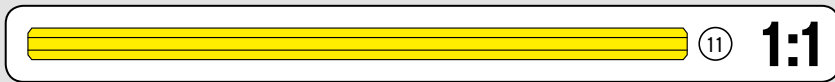
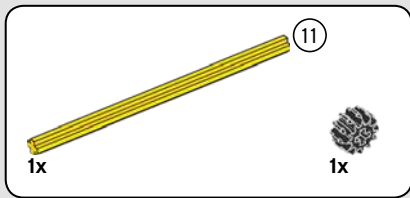
274



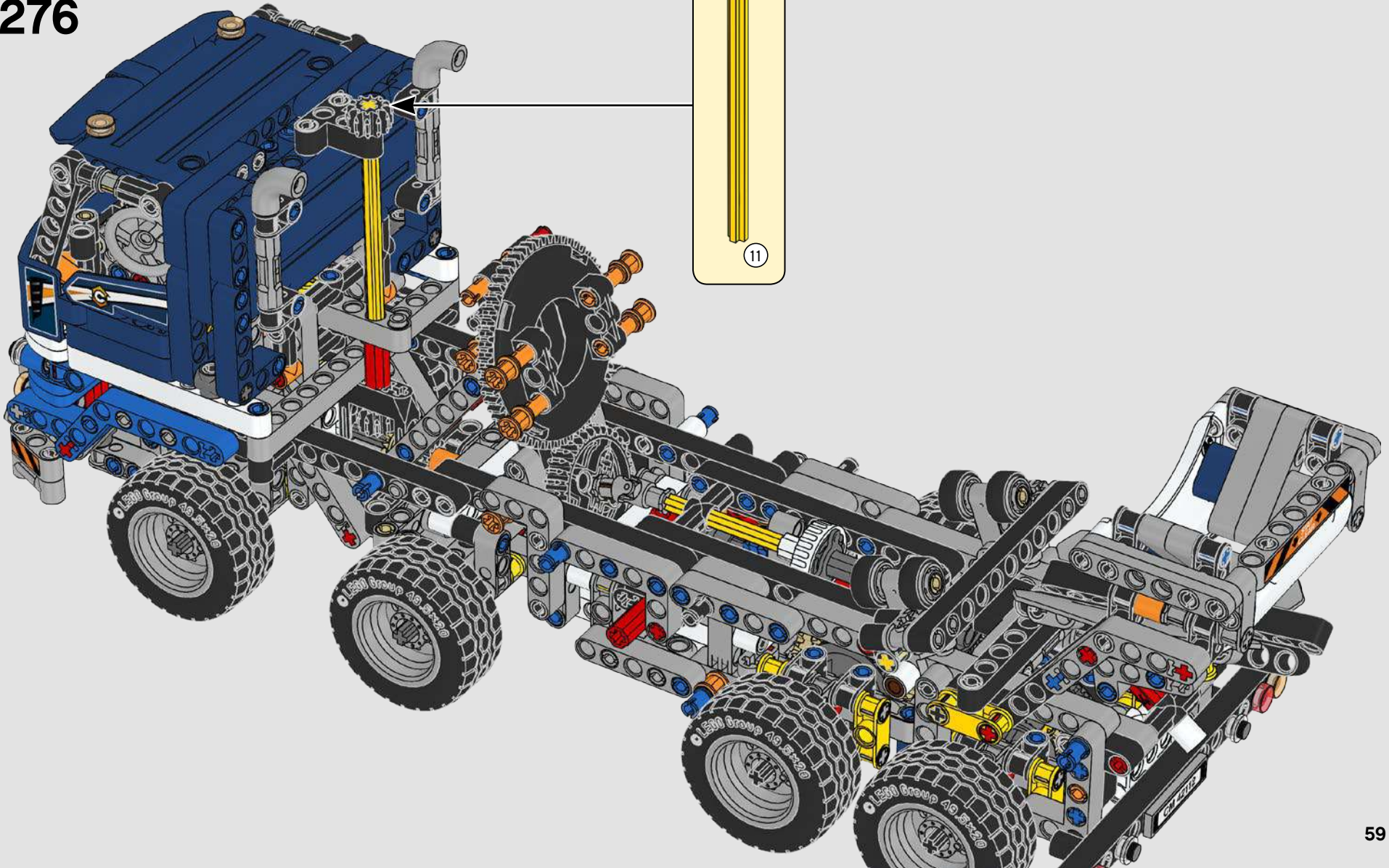
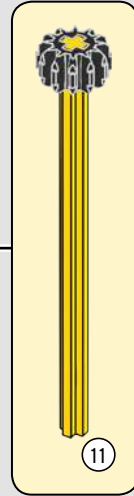


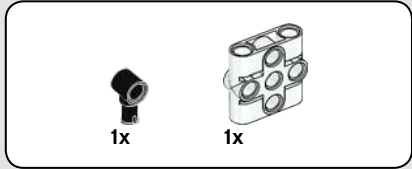
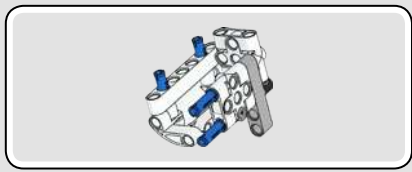
275



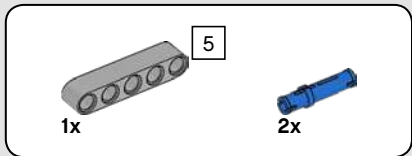
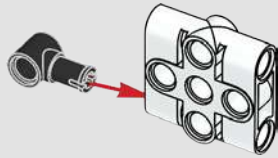


276

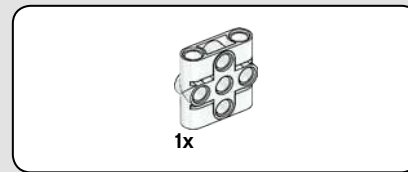
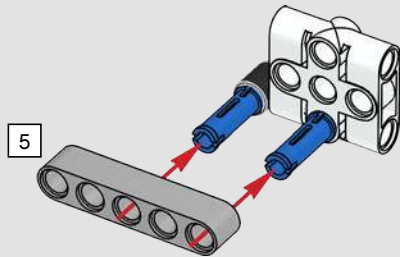




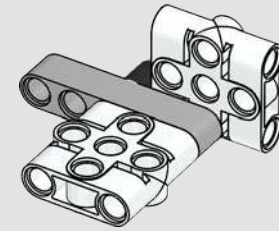
277



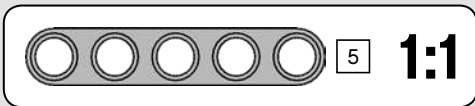
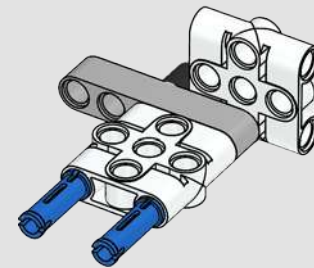
278

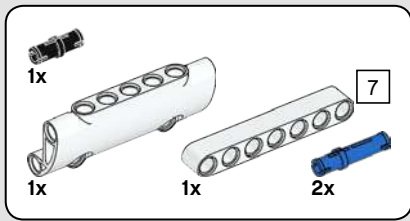


279

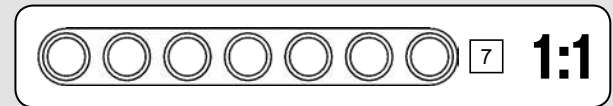
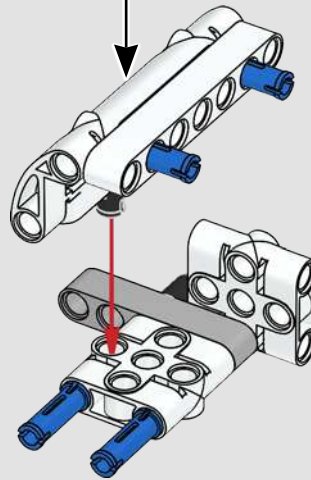
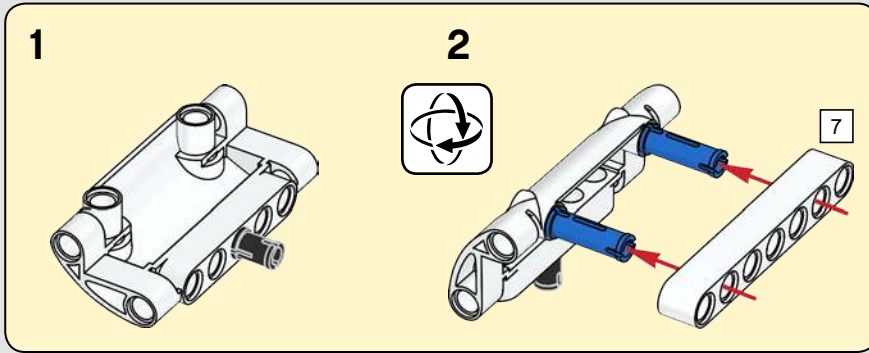


280

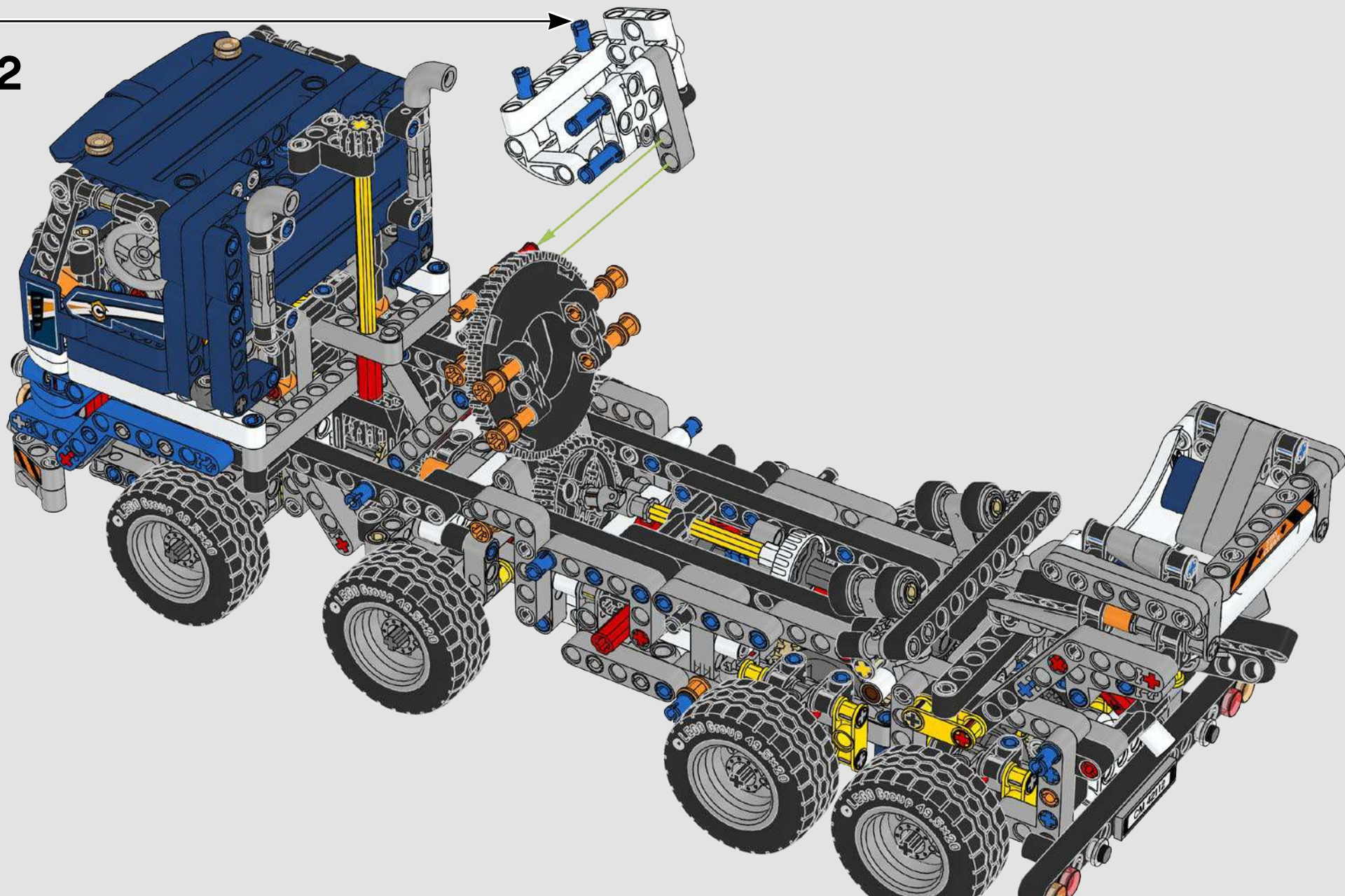


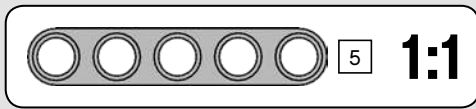
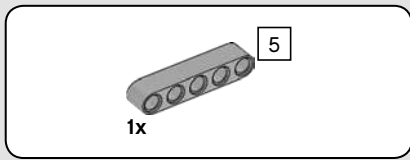


281

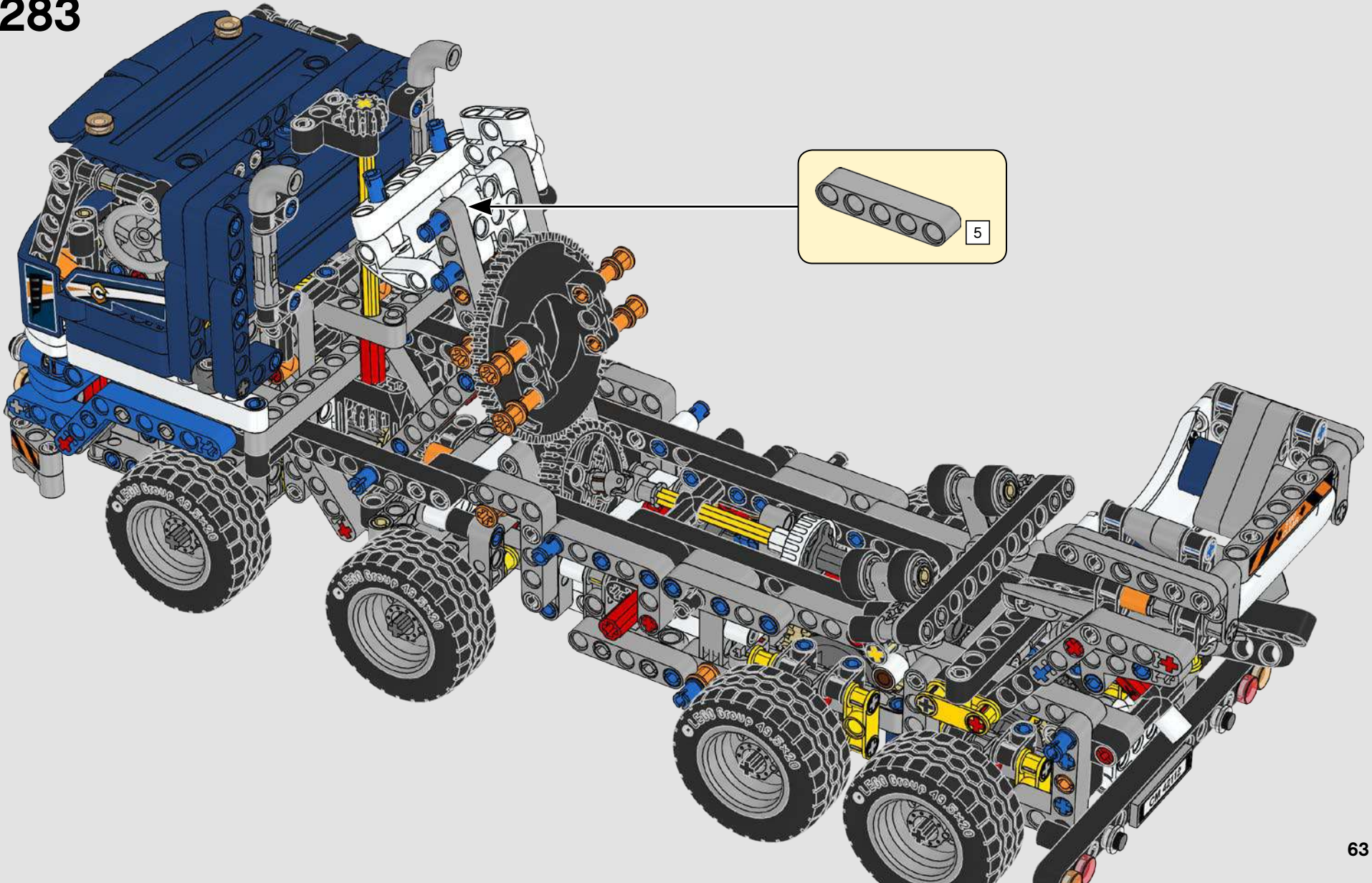


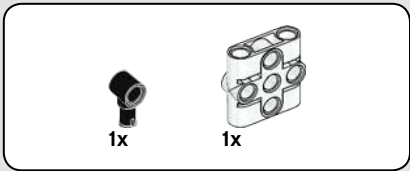
282



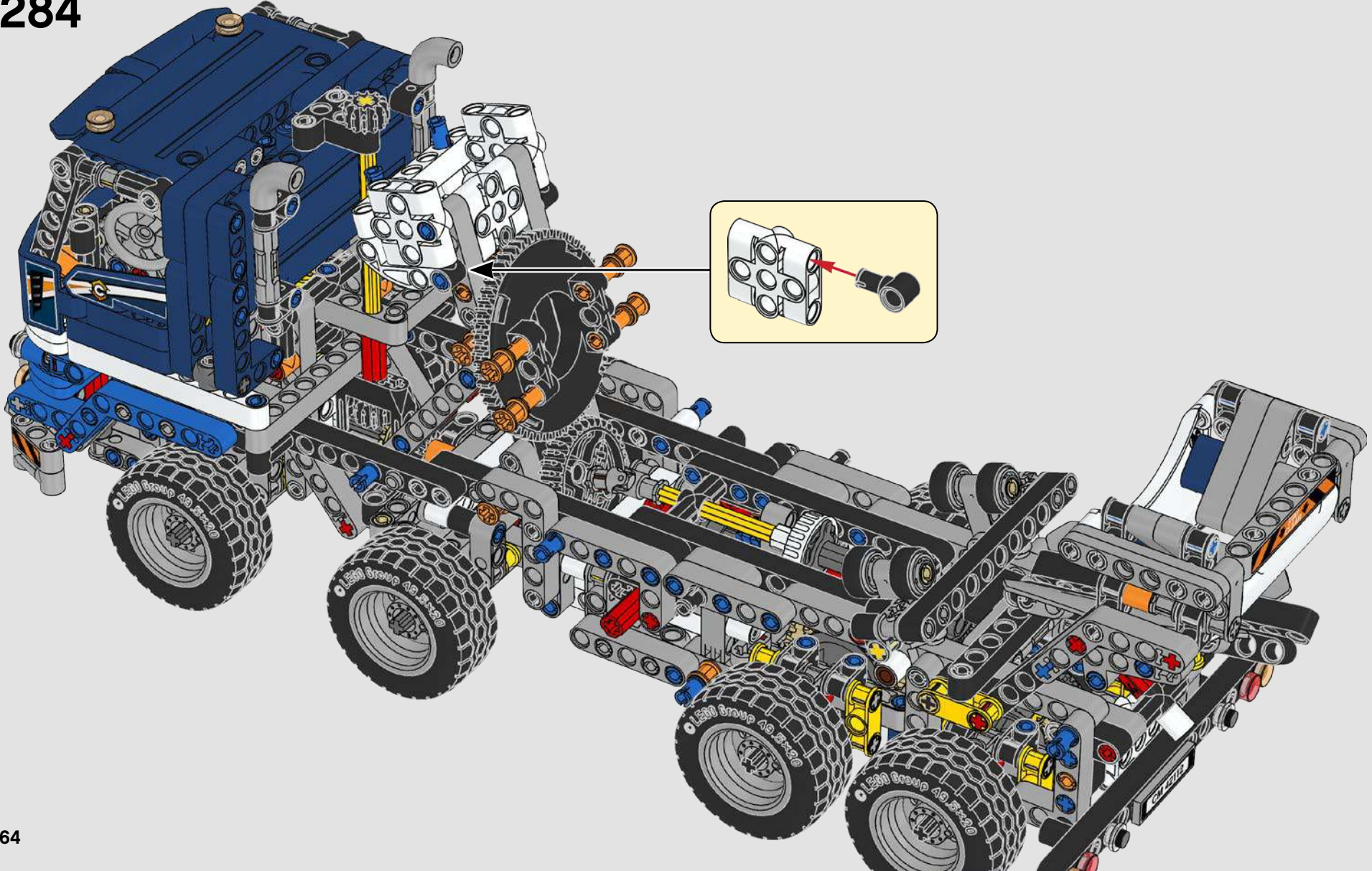


**283**

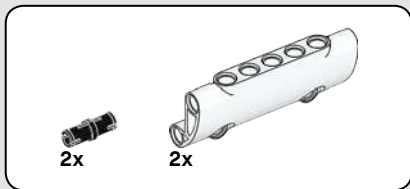




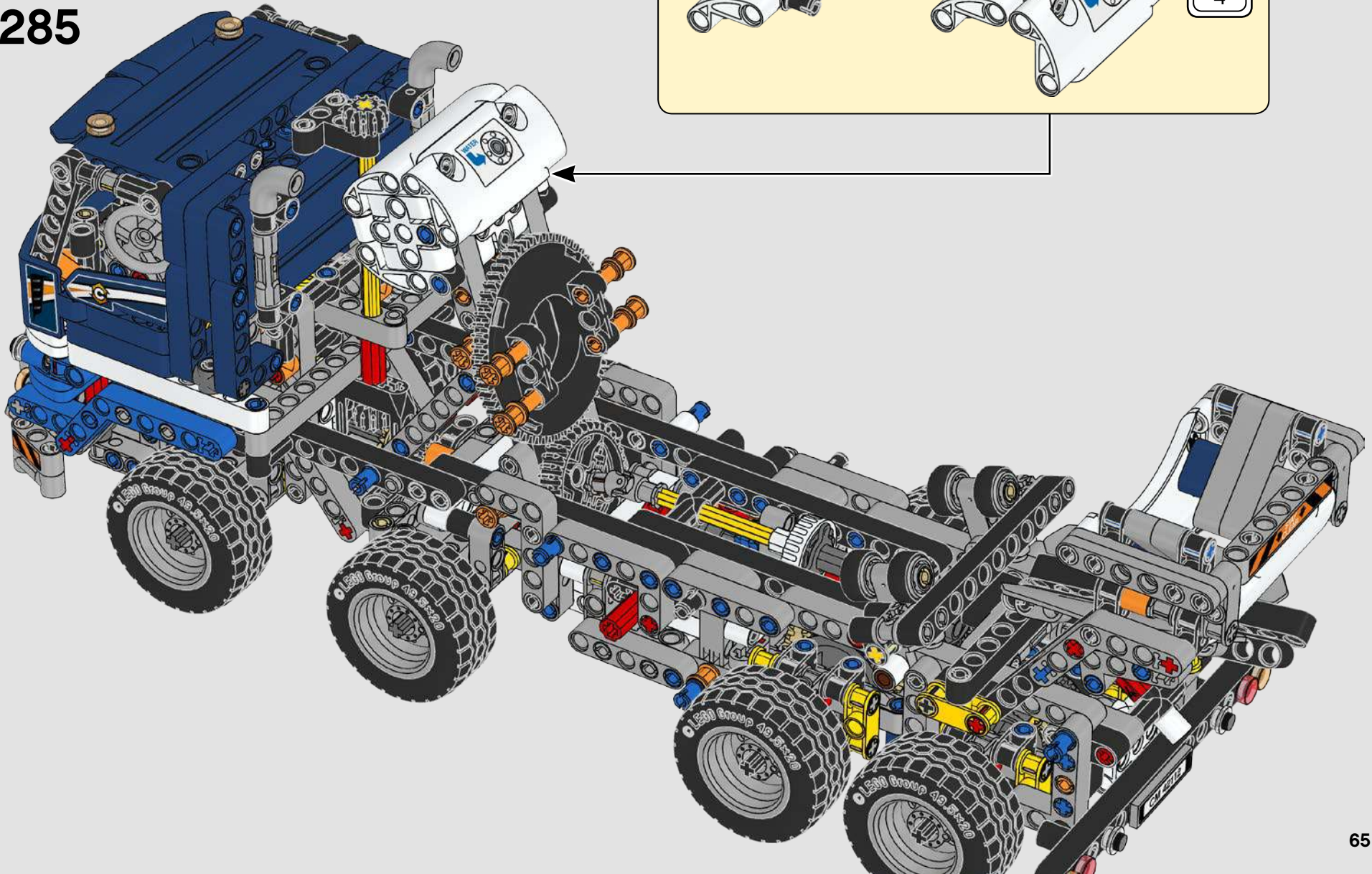
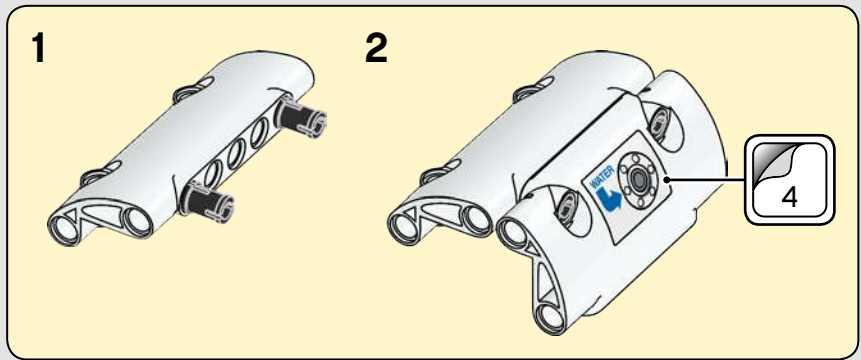
284

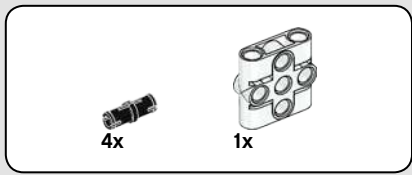




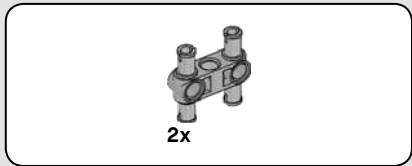
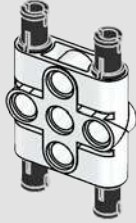


285

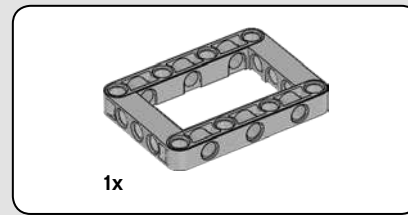
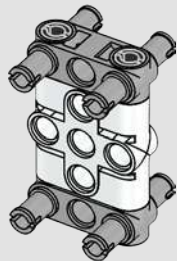




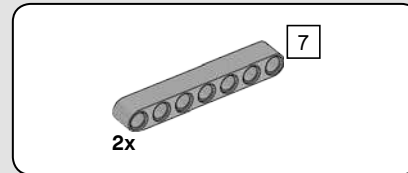
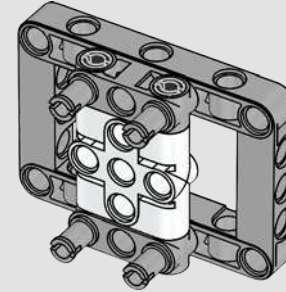
**286**



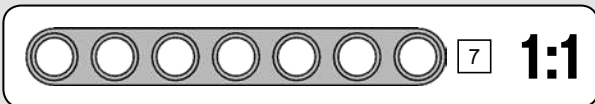
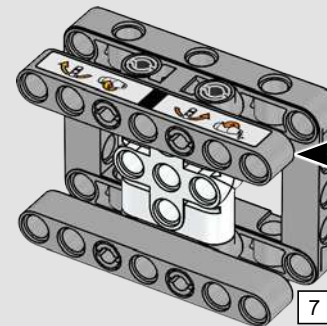
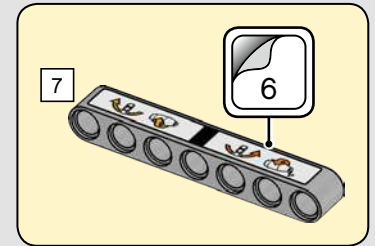
**287**

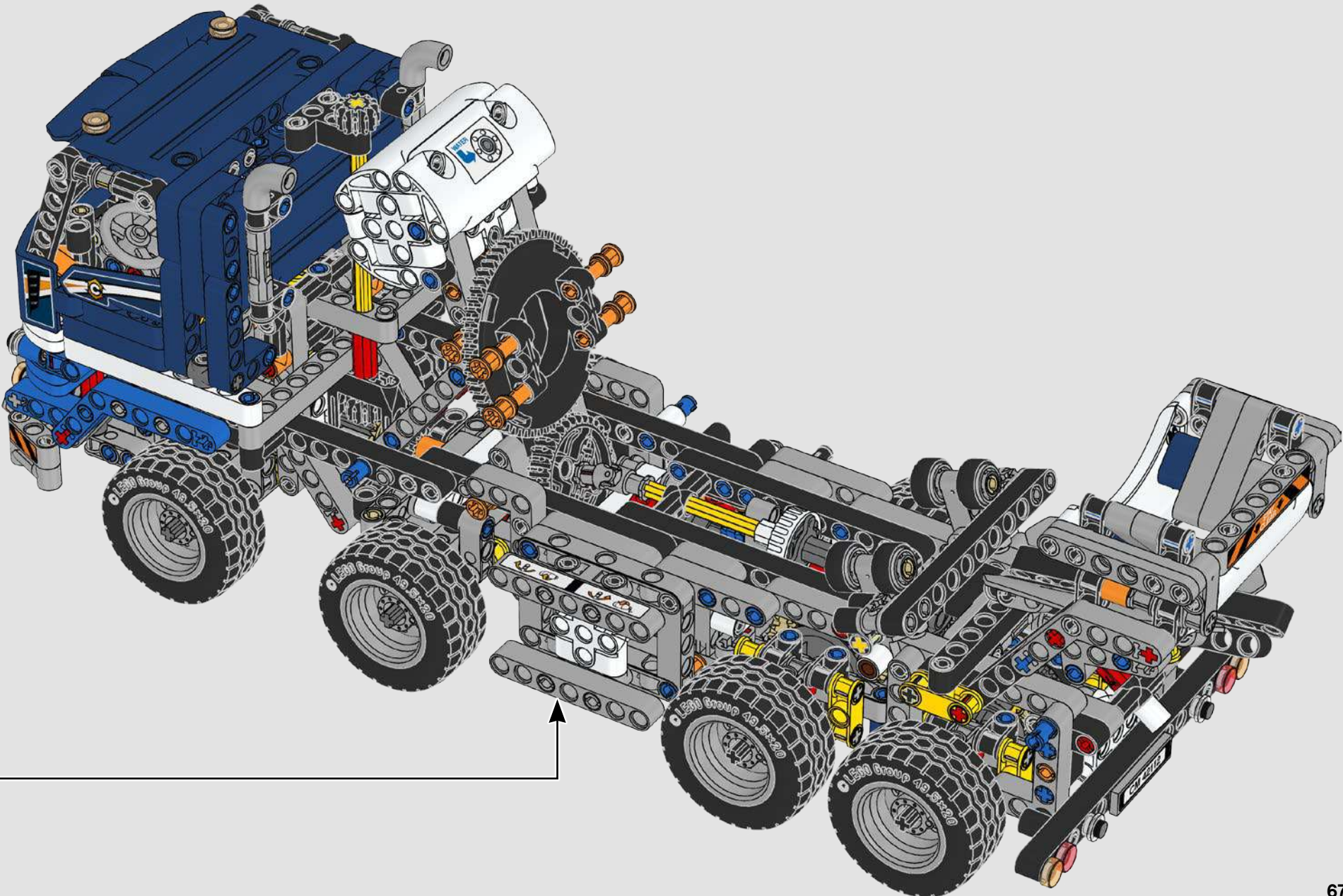


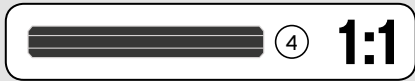
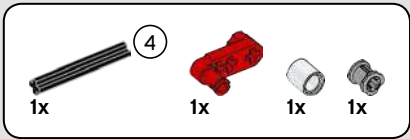
**288**



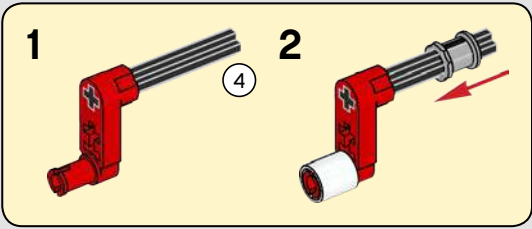
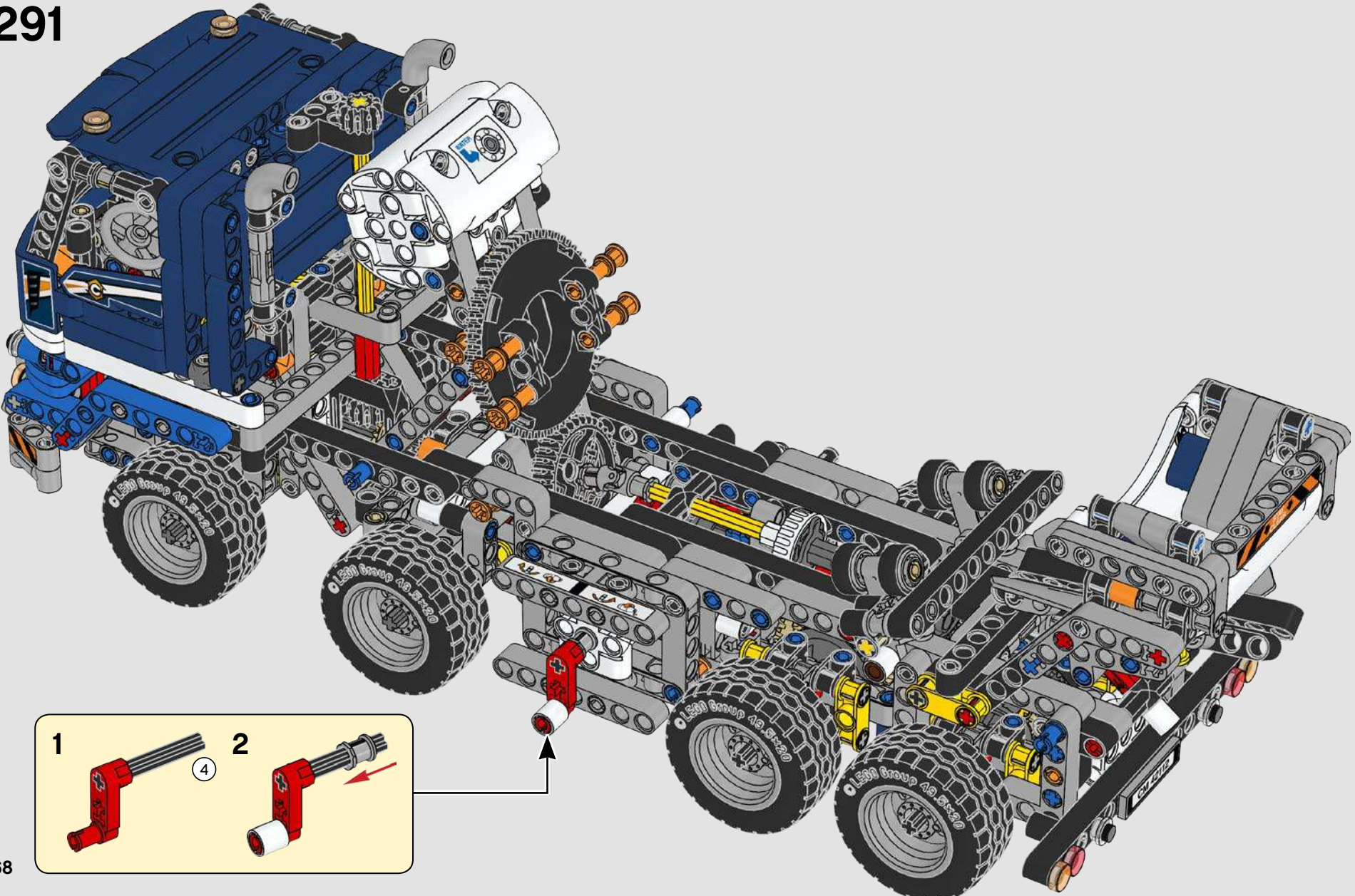
**289**

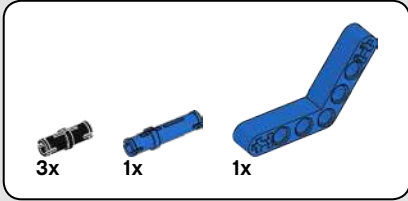
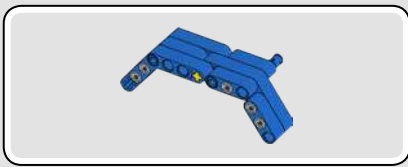




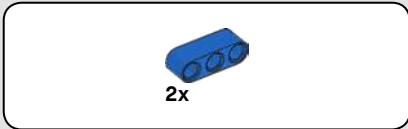
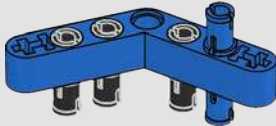


291

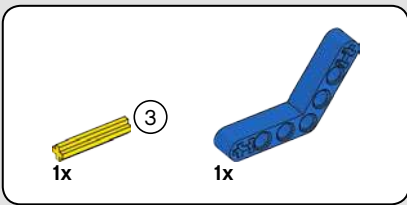
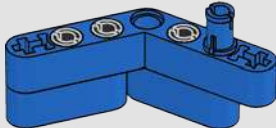




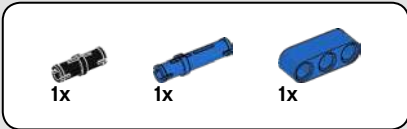
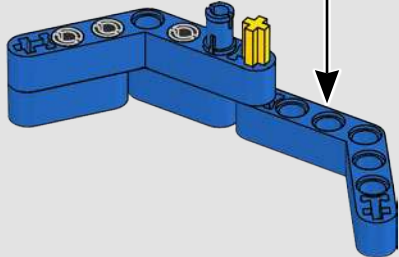
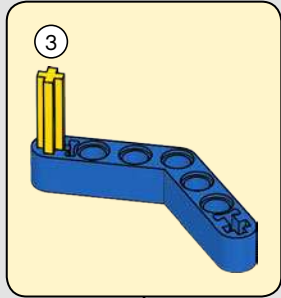
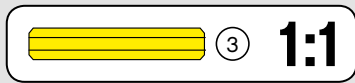
292



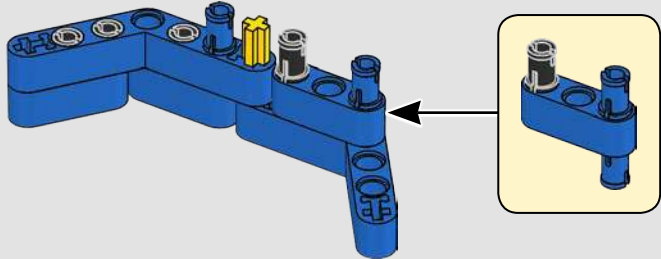
293

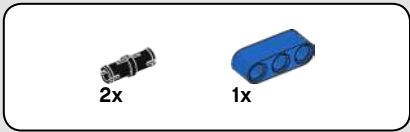


294

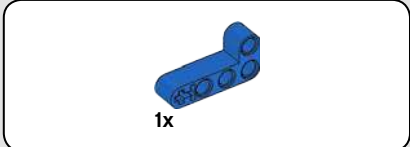
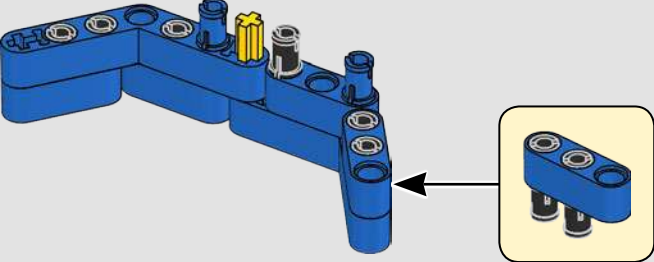


295

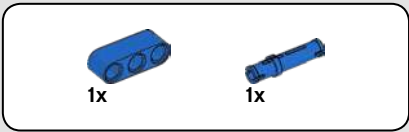
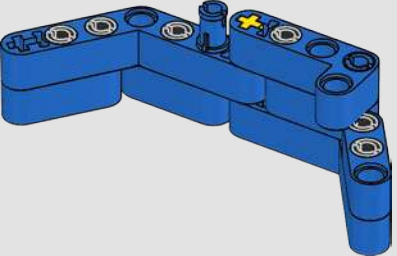




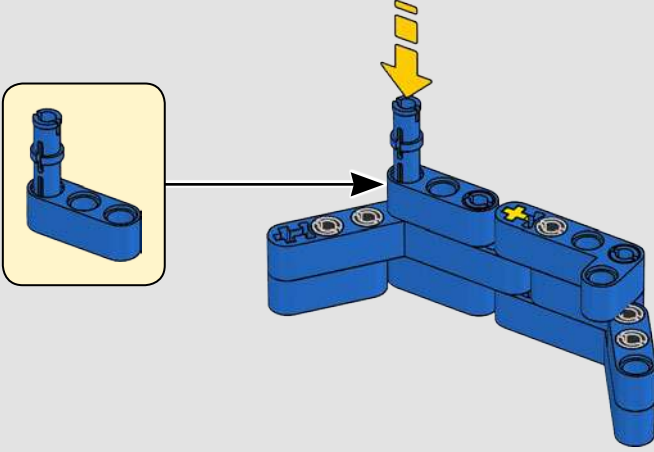
296

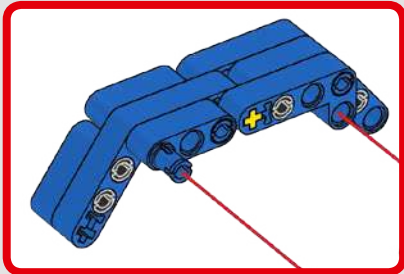
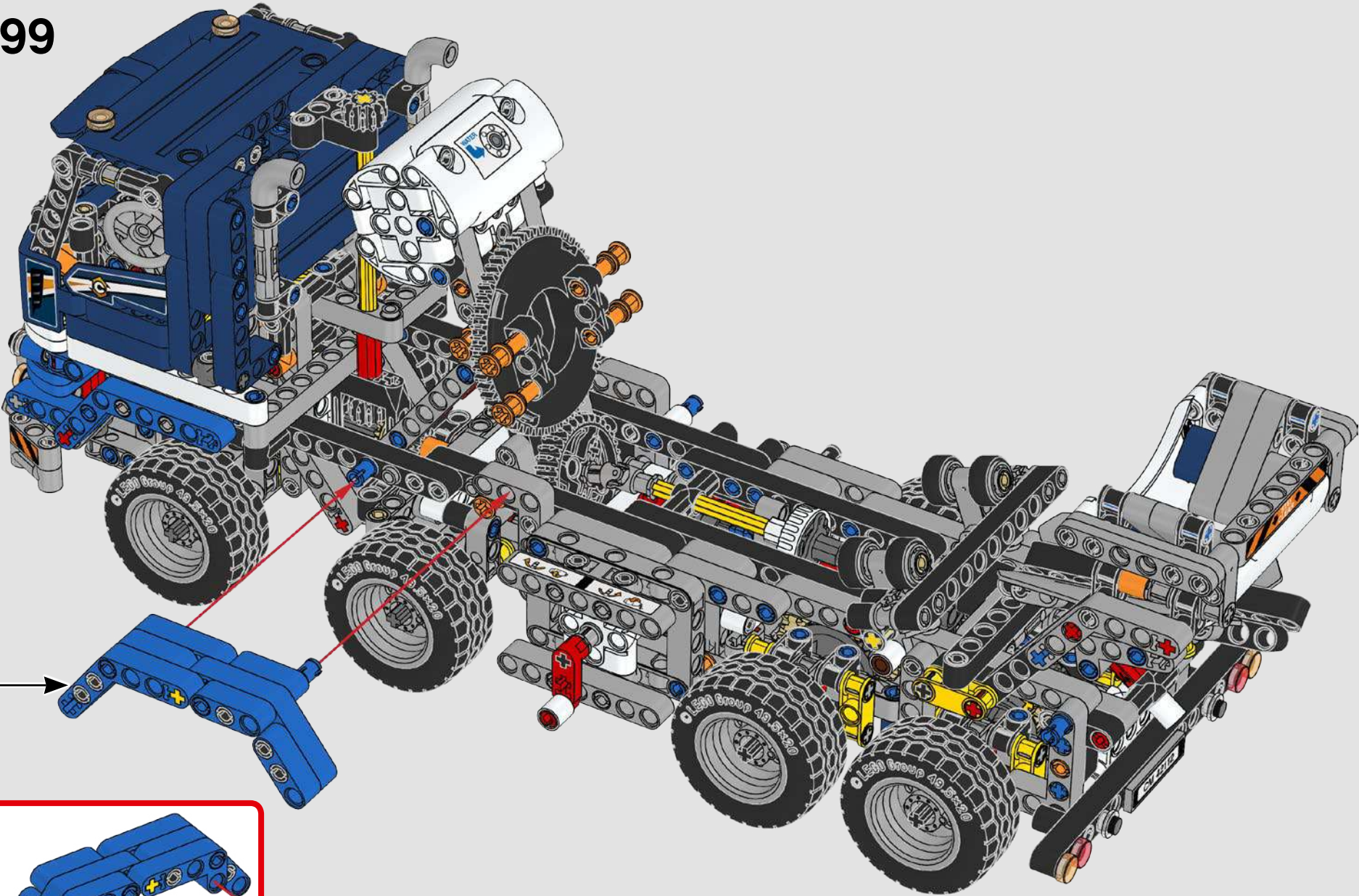


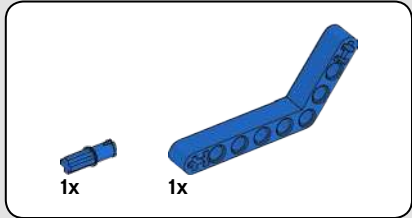
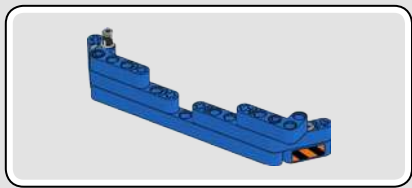
297



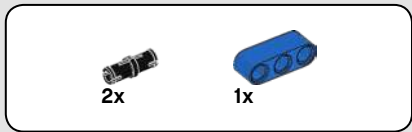
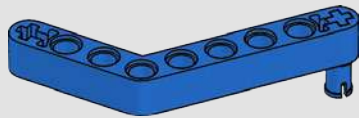
298



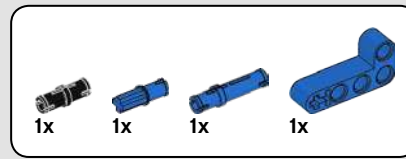
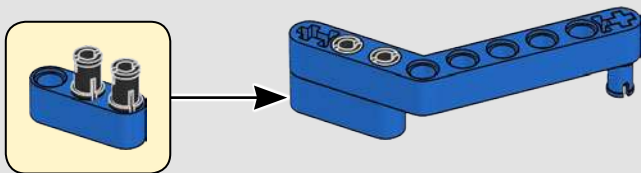




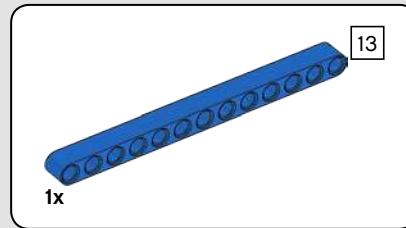
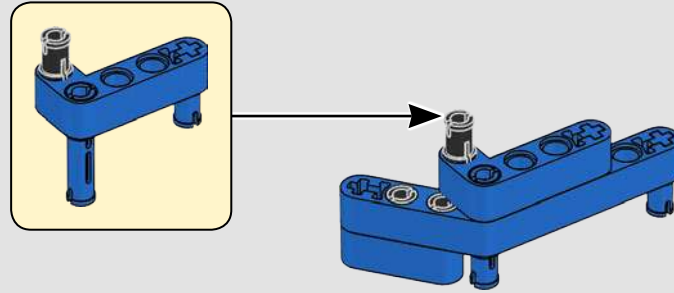
300



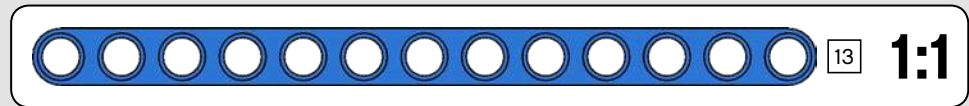
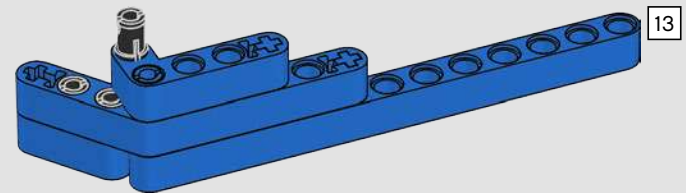
301



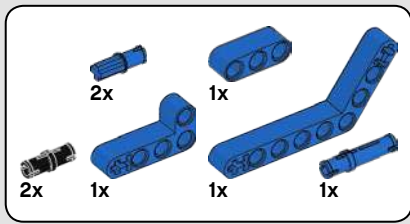
302



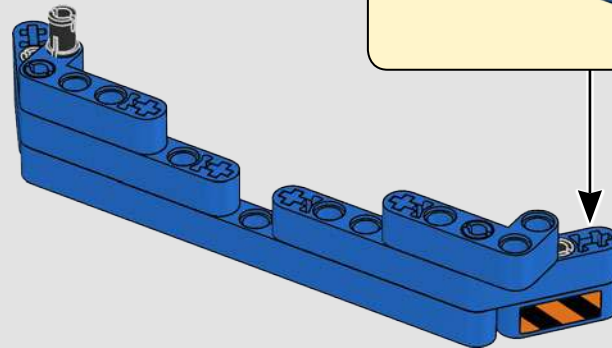
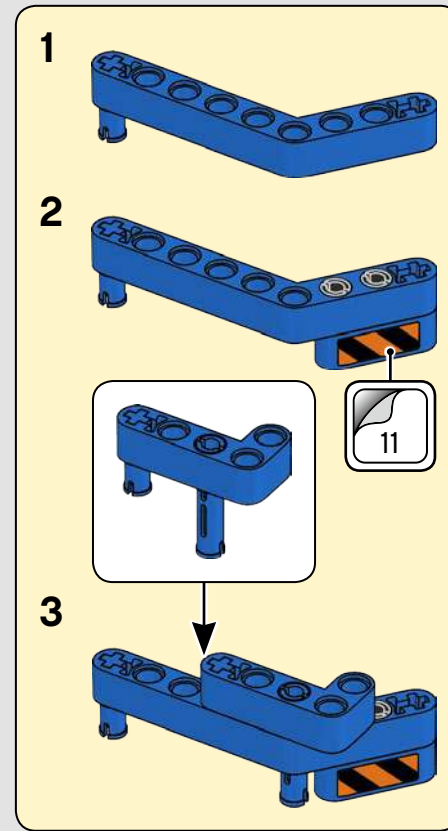
303

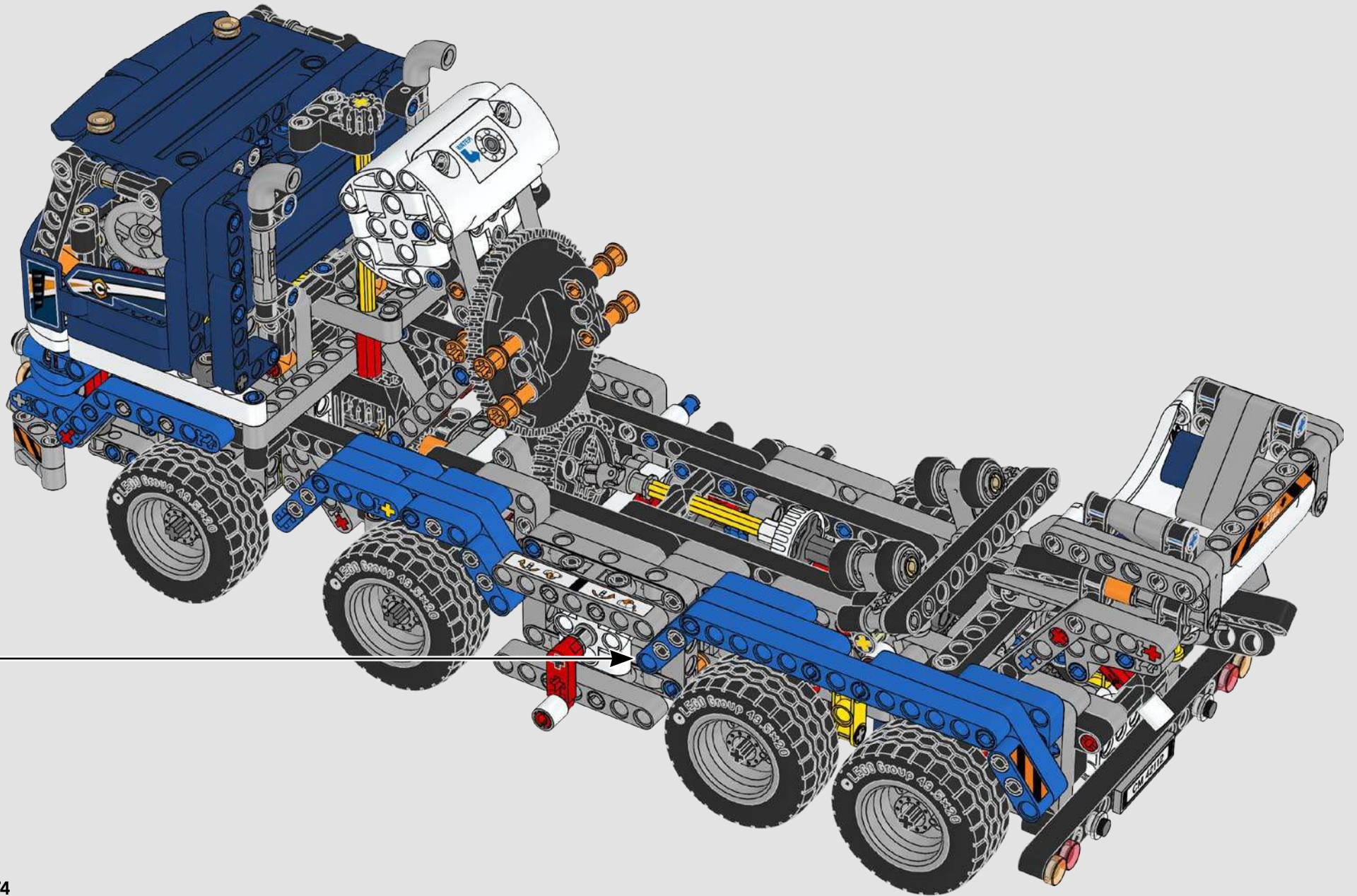


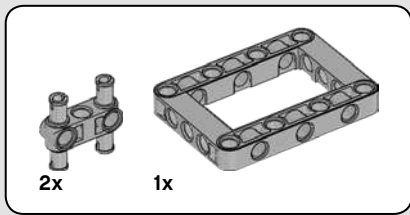




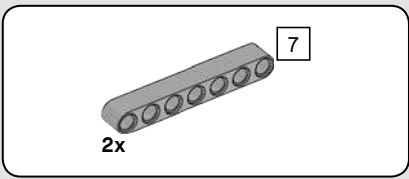
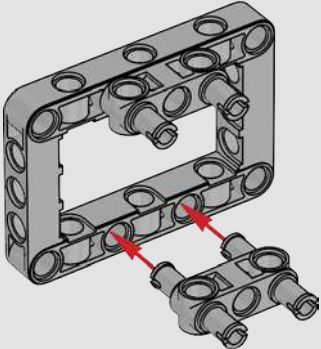
304



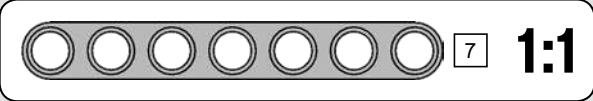
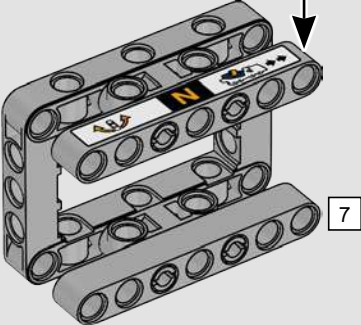
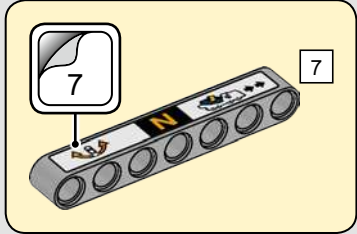




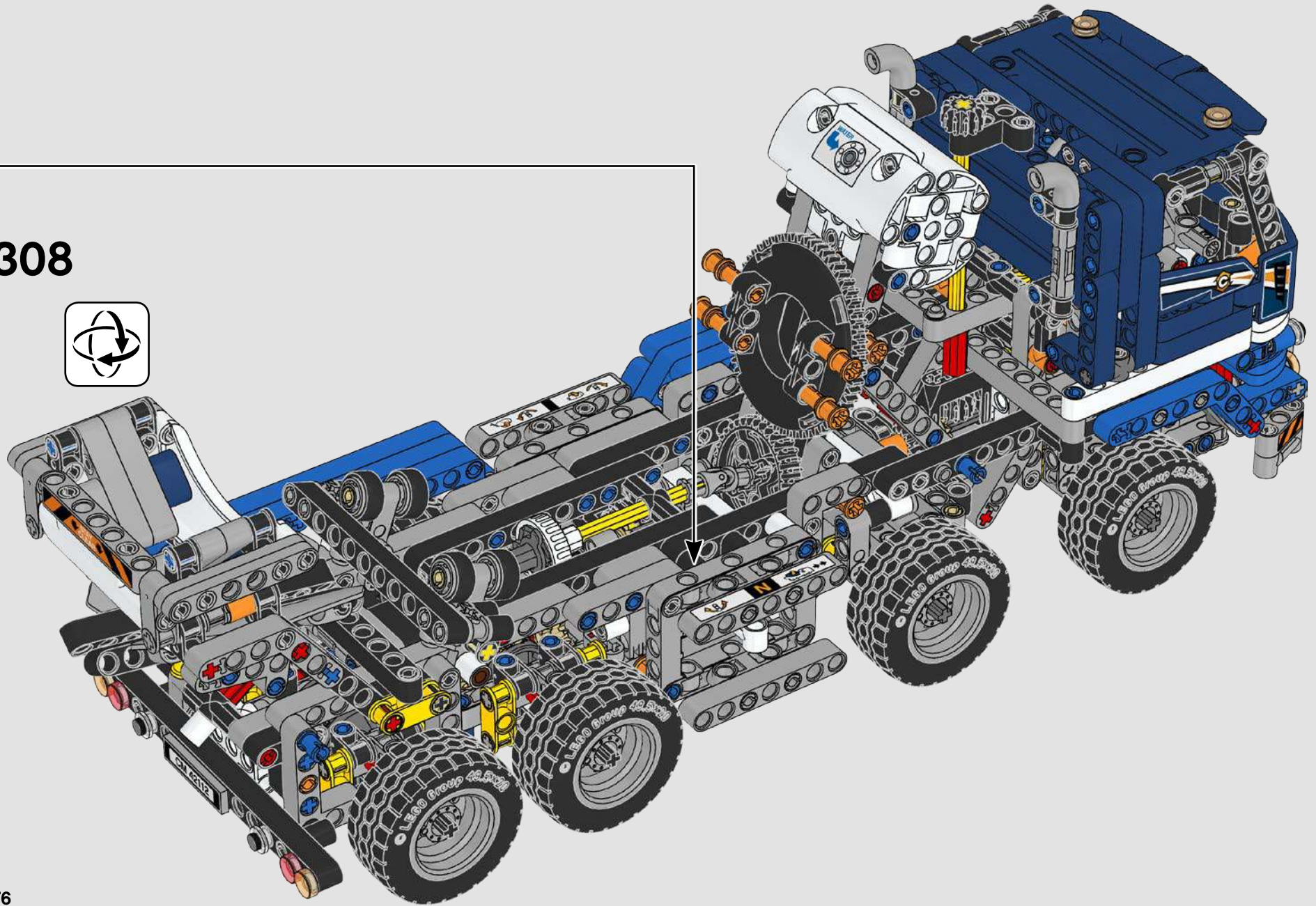
306

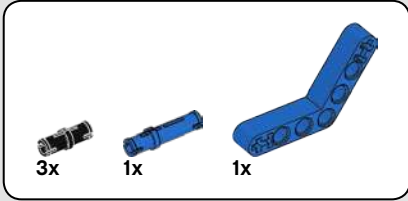
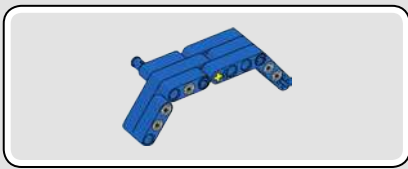


307

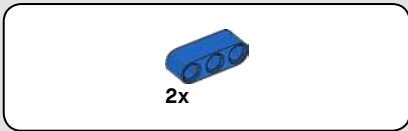
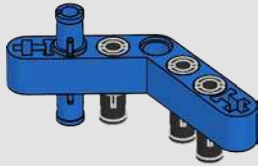


308

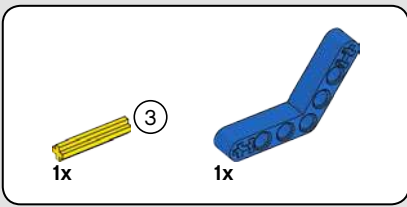
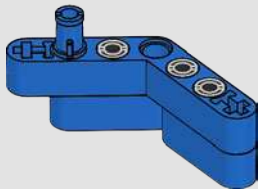




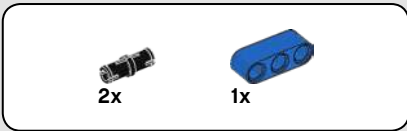
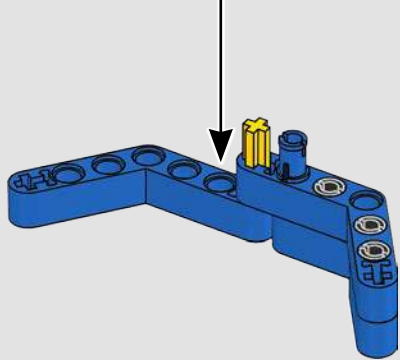
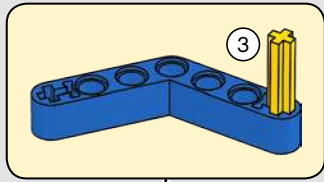
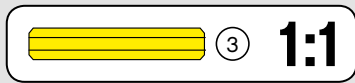
309



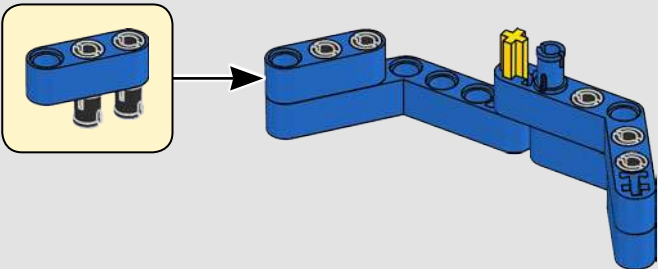
310



311

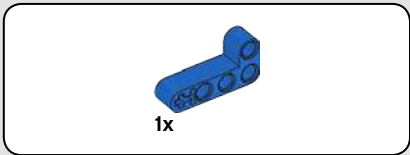
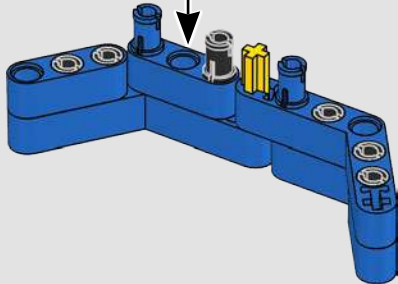


312

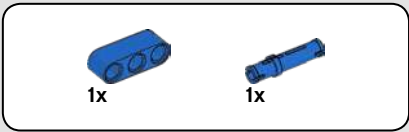
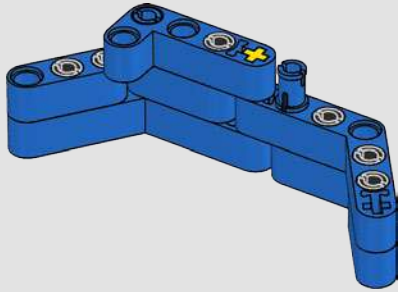




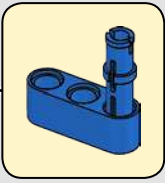
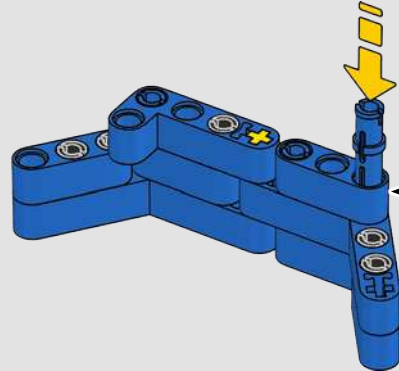
313



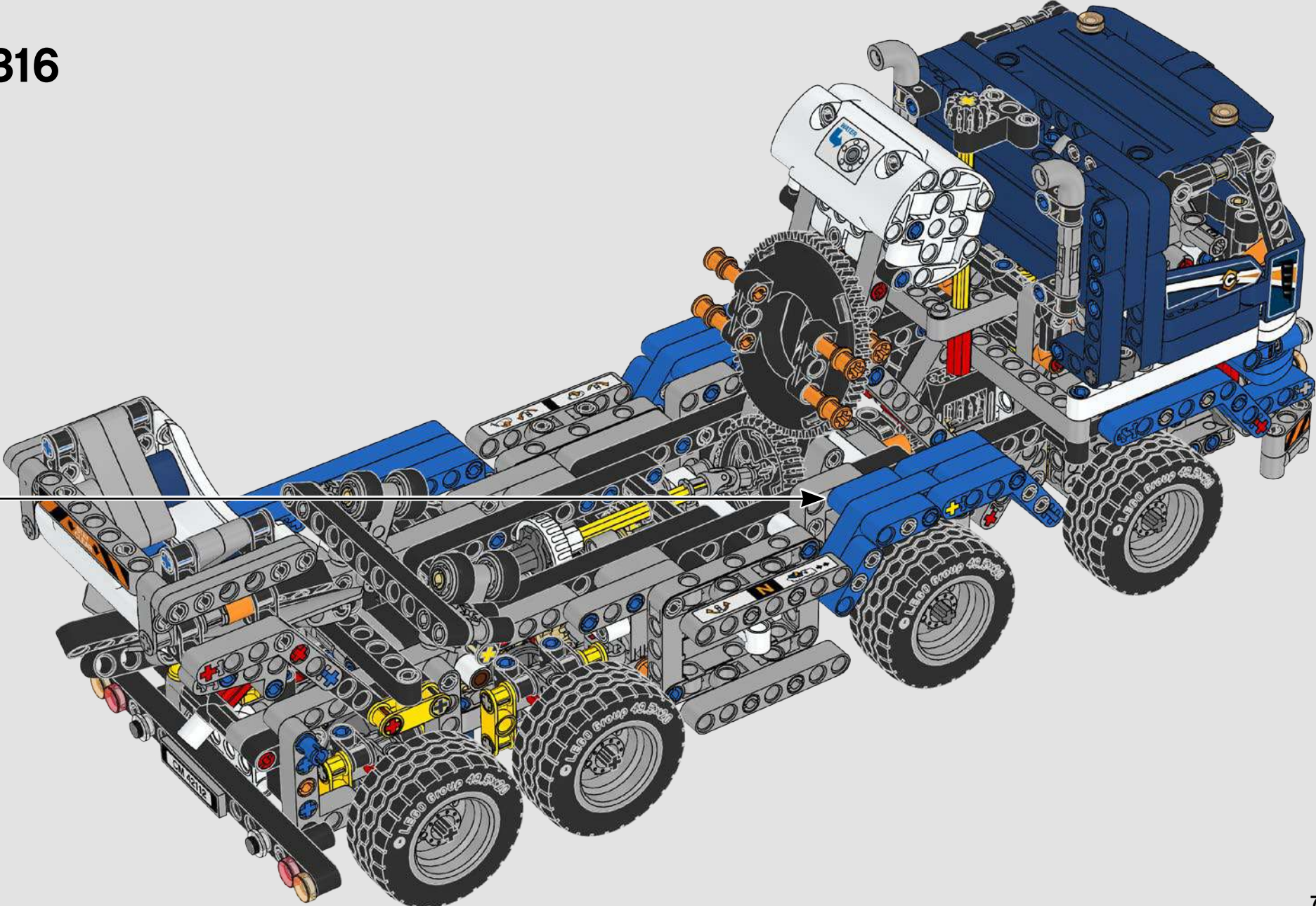
314

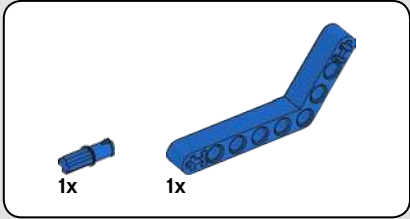
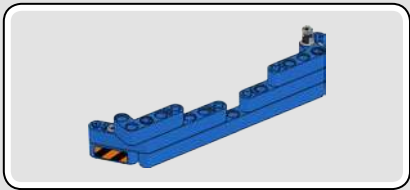


315

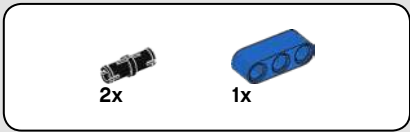
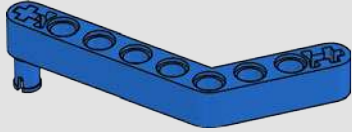


316

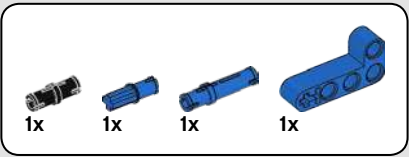
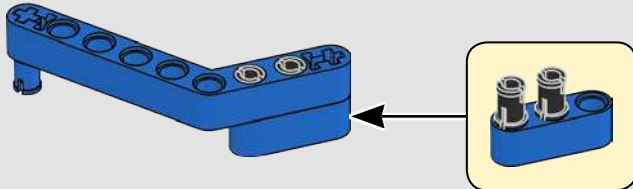




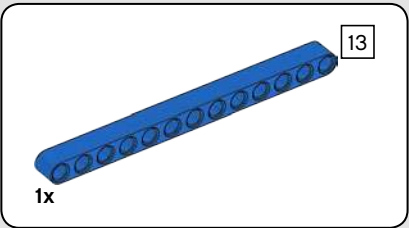
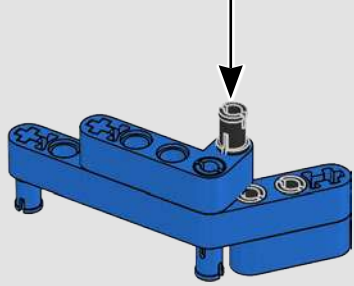
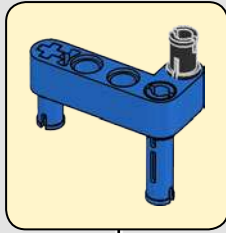
317



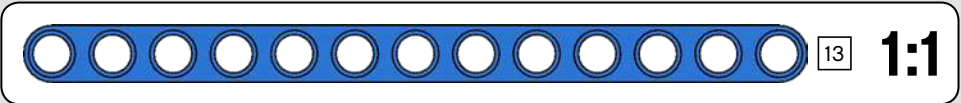
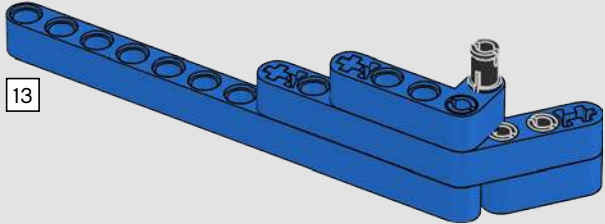
318



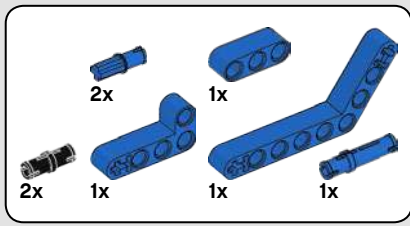
319



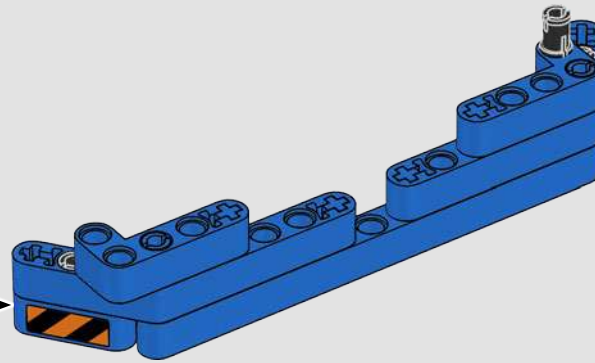
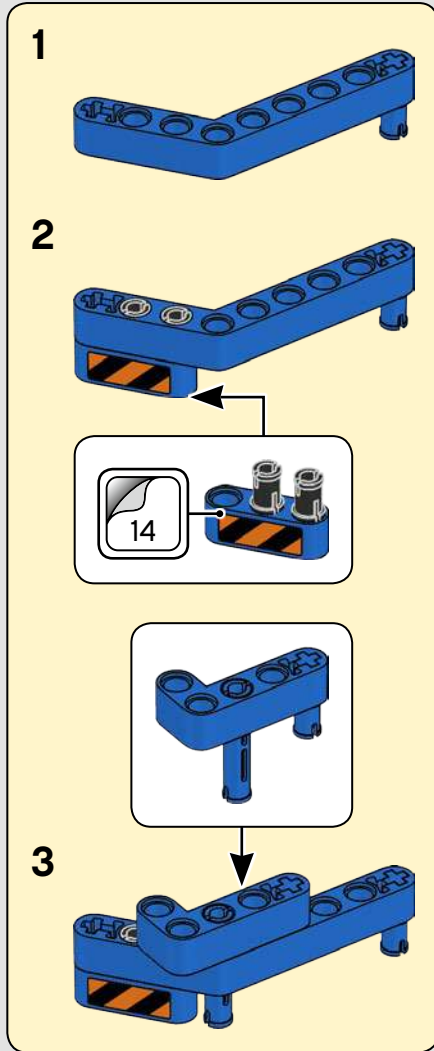
320



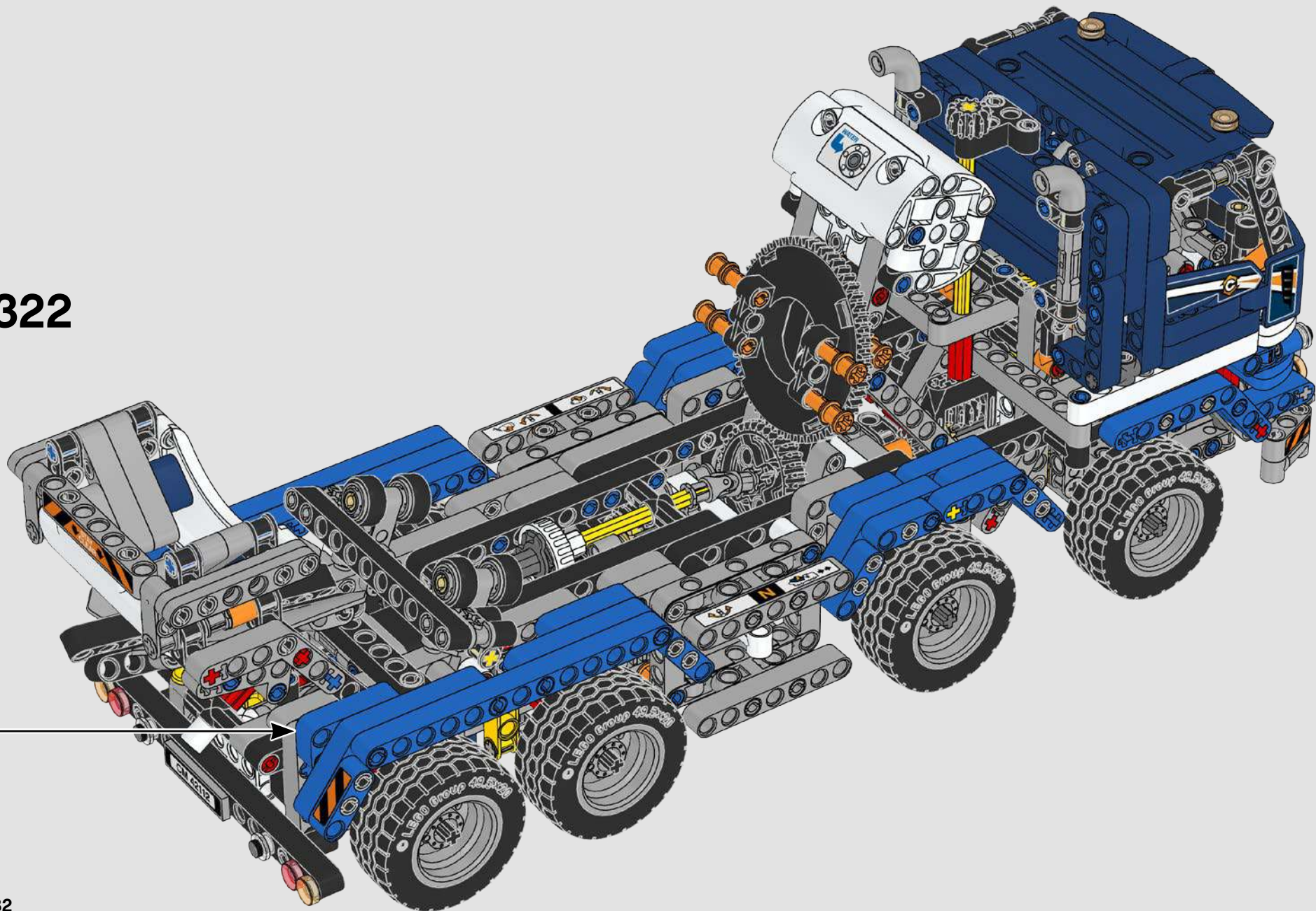




321



322

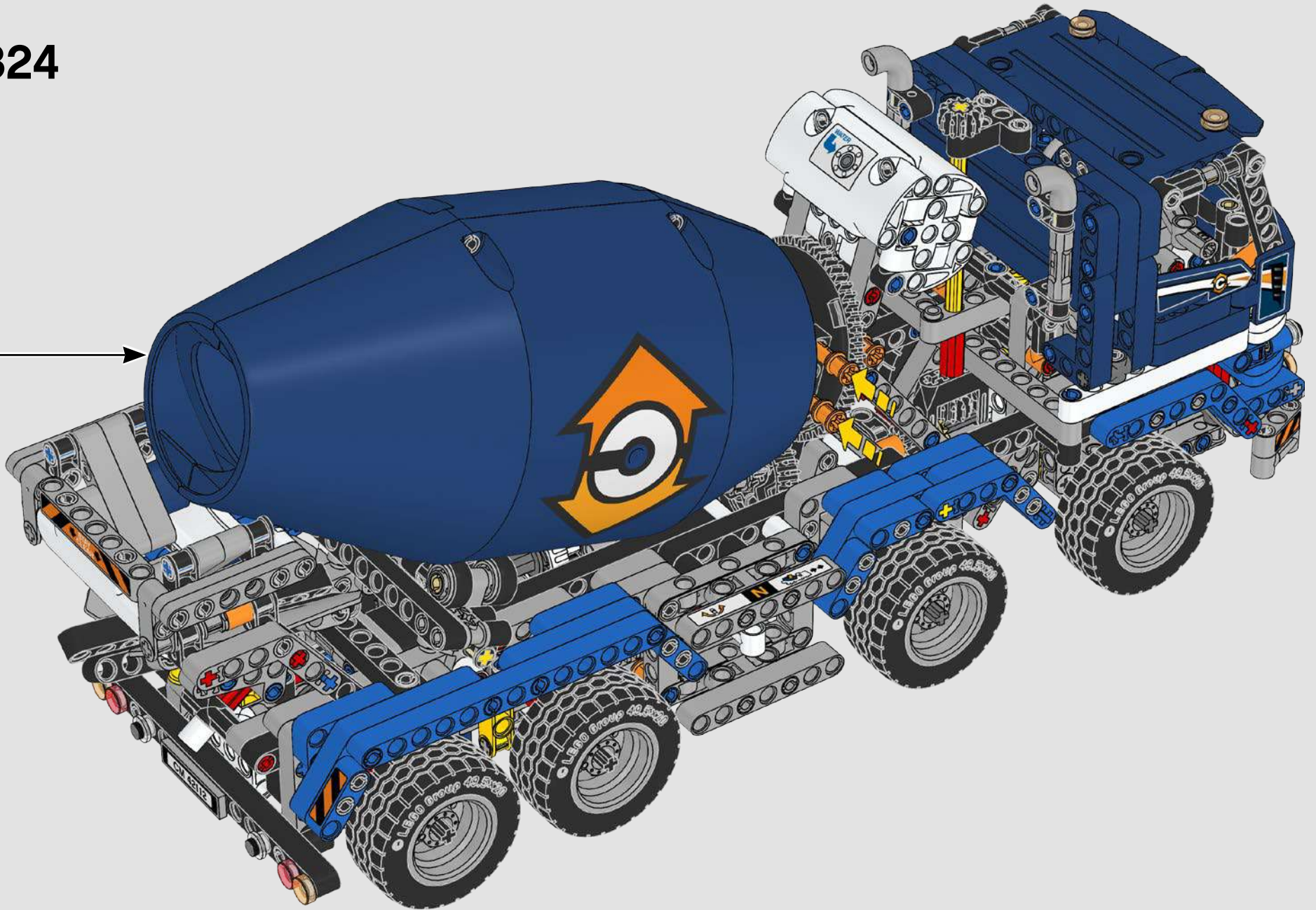




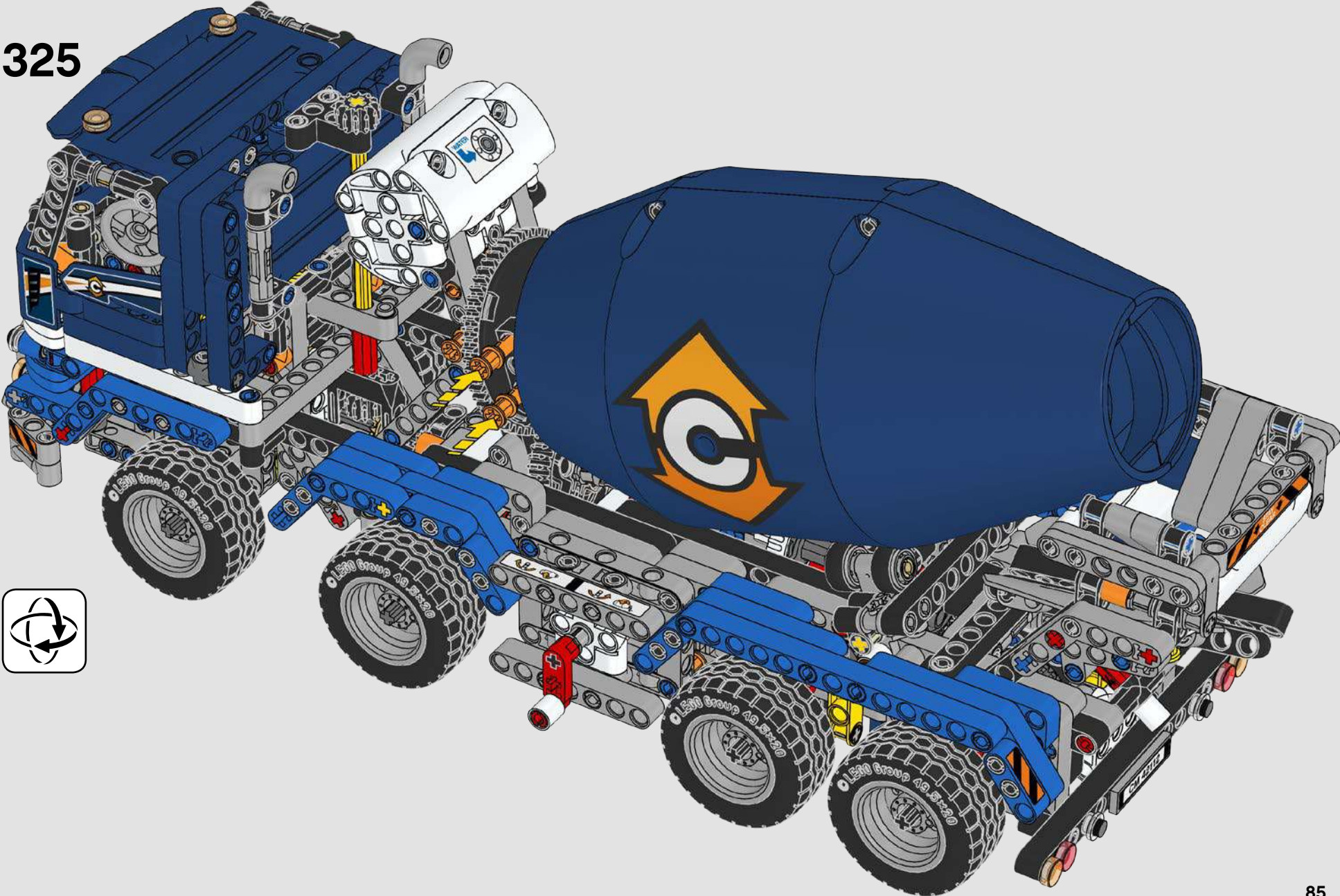
323



324



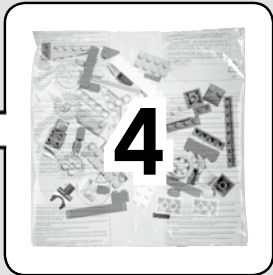
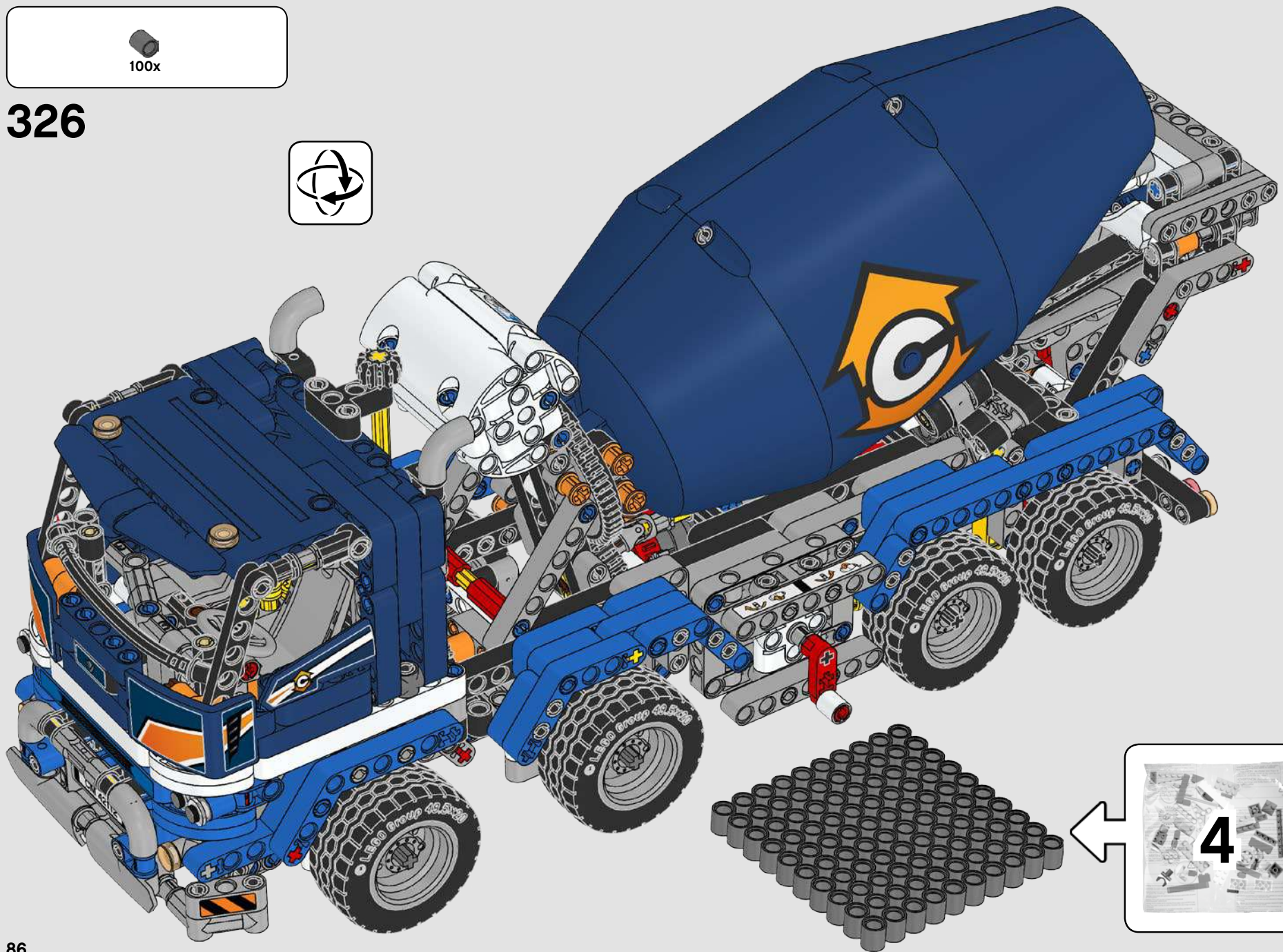
325





100x

326





# TECHNIC



42112



42111



42113

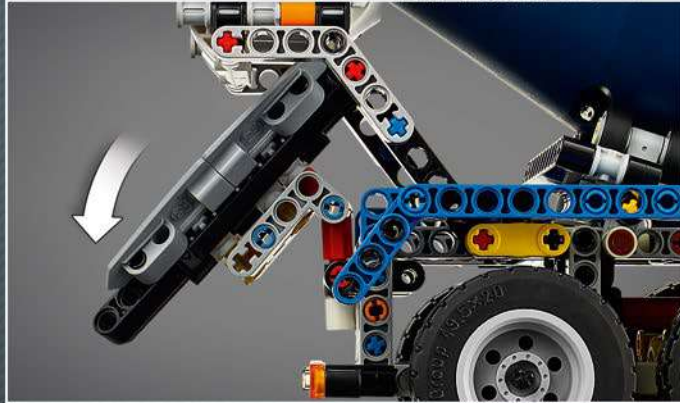


42107

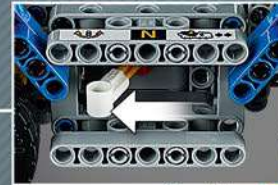
Ducati Motor Holding S.p.A. official licensed product.

© Universal City Studios LLC. All Rights Reserved. Dodge and related logos, vehicle model names and trade dress are trademarks of FCA US LLC and used under license by The LEGO Group. ©2020 FCA US LLC.

Produced under license. V-22 Osprey is a trademark jointly owned by Textron Innovations Inc. and The Boeing Company, and all the distinctive logos, product markings and trade dress are trademarks of Textron Innovations Inc. and/or The Boeing Company.







10x  
6135494

1x  
6159763

27x  
6177114

1x  
4118981

1x  
6257336

4x  
6302333

1x  
6276052

6x  
6247424

10x  
4495927

4x  
6246996

2x  
6001831

1x  
6254784

90

8x  
4565452

2x  
4666579

3x  
6084724

4x  
4514554

2x  
4666999

100x  
6100030

1x  
6100931

1x  
6257337

6x  
6167281

1x  
6133119

4x  
6083620

2x  
4525184

4x  
4499858

2x  
6258607

2x  
6259825

23x  
6143033

14x  
6265128

9x  
6168687

12x  
4142865

2x  
6100930

13x  
4513174

1x  
6167937

1x  
6262898

19x  
6209519

1x  
6313493

1x  
6130002

11x  
6073231

6x  
4177431

2x  
4660886

4x  
4246901

34x  
6261371

6x  
6284699

161x  
4121715

1x  
4107081

4x  
6280394

16x  
6089119

1x  
6007966

5x  
4552347

11x  
6271869

7x  
370526

2x  
6278412

1x  
4255563

2x  
4562009

2x  
6253293

8x  
6055626

2x  
4140327

1x  
6109283

10x  
6029578

1x  
4234438

3x  
4542573

4x  
6261383

46x  
4206482

1x  
6224999

4x  
6302336

111x  
4514553

14x  
4509376

6x  
6271829

6x  
6302340

6x  
6279882

2x  
6115617

3x  
6302337

18x  
6275844

26x  
4211483

4x  
4211758

(22)  
3x  
6236920

(21)  
3x  
6236922

4x  
6151349

2x  
4211807

4x  
4640536

6x  
6123815

2x  
6271347

2x  
4502595

4x  
4630114

28x  
6273724

2x  
4211888

2x  
6261387

13x  
4211655

13x  
4225033

8x  
6273212

1x  
4525904

1x  
4580510

10x  
6271831

1x  
4211356

(5)  
16x  
4211639

8x  
4297210

12x  
4211713

(5)  
20x  
4211651

2x  
6055519

4x  
4211586

2x  
4211668

2x  
6268004

(7)  
7x  
4495930

1x  
6109285

2x  
6279885

4x  
4539880

(9)  
2x  
4535768

(9)  
8x  
6102449

(13)  
6x  
4522934

(22)  
2x  
6174857

(21)  
2x  
6174854

5x  
6233765

2x  
6302341

2x  
6217682

(5)  
4x  
6151082

8x  
6217683

2x  
6268003

2x  
6151067

6x  
6240030

6x  
6274747

4x  
6271167

(3)  
31x  
6130007

16x  
6276974

(7)  
2x  
6130009

(11)  
1x  
6130012



2x  
6302622

Customer Service

Kundenservice

Service Consommateurs

Servicio Al Consumidor

LEGO.com/service or dial



# WIN

GO TO [WWW.LEGO.COM/PRODUCTFEEDBACK](http://WWW.LEGO.COM/PRODUCTFEEDBACK) AND  
GIVE US YOUR SHORT **FEEDBACK** ABOUT THIS  
LEGO® SET FOR A CHANCE TO WIN  
A COOL LEGO PRIZE.

Terms & Conditions apply



## [LEGO.com/productfeedback](http://LEGO.com/productfeedback)

### GEWINNE

Erzähle uns auf  
[www.LEGO.com/productfeedback](http://www.LEGO.com/productfeedback)

etwas über die Erfahrungen, die  
du mit diesem LEGO® Set gemacht  
hast, und sichere dir die Chance  
auf einen coolen LEGO Preis!

Es gelten die  
Teilnahmebedingungen

### GAGNE

Rends-toi sur  
[www.LEGO.com/productfeedback](http://www.LEGO.com/productfeedback)

et donne-nous quelques com-  
mentaires sur ce produit LEGO®  
pour avoir une chance de gagner  
un prix LEGO !

Voir Conditions Générales

### GANAN

Visita  
[www.LEGO.com/productfeedback](http://www.LEGO.com/productfeedback)

y envíanos tu opinión acerca de  
este set LEGO®. ¡Participarás en el  
sorteo de un premio LEGO!

Términos y Condiciones aplicables

### 获取奖品

登录  
[www.LEGO.com/productfeedback](http://www.LEGO.com/productfeedback)

给出关于此乐高®套装的简短反馈，  
就有机会获得炫酷乐高奖品

《条款及条件》适用

### 경품 당첨 기회

[www.LEGO.com/productfeedback](http://www.LEGO.com/productfeedback)

페이지로 이동하여 이 레고® 세트에  
대한 간략한 피드백을 보내 주시고  
멋진 레고 경품을 탈 수 있는 기회도  
잡으십시오

약관 적용

### ЗАПОЛНИ АНКЕТУ И ПОЛУЧИ ПРИЗ

Перейди по ссылке  
[www.LEGO.com/productfeedback](http://www.LEGO.com/productfeedback)

ответь всего на несколько во-  
просов об этом наборе LEGO®,  
и у тебя появится шанс выиграть  
замечательный приз от компании  
LEGO.

Применяются Условия и правила  
участия