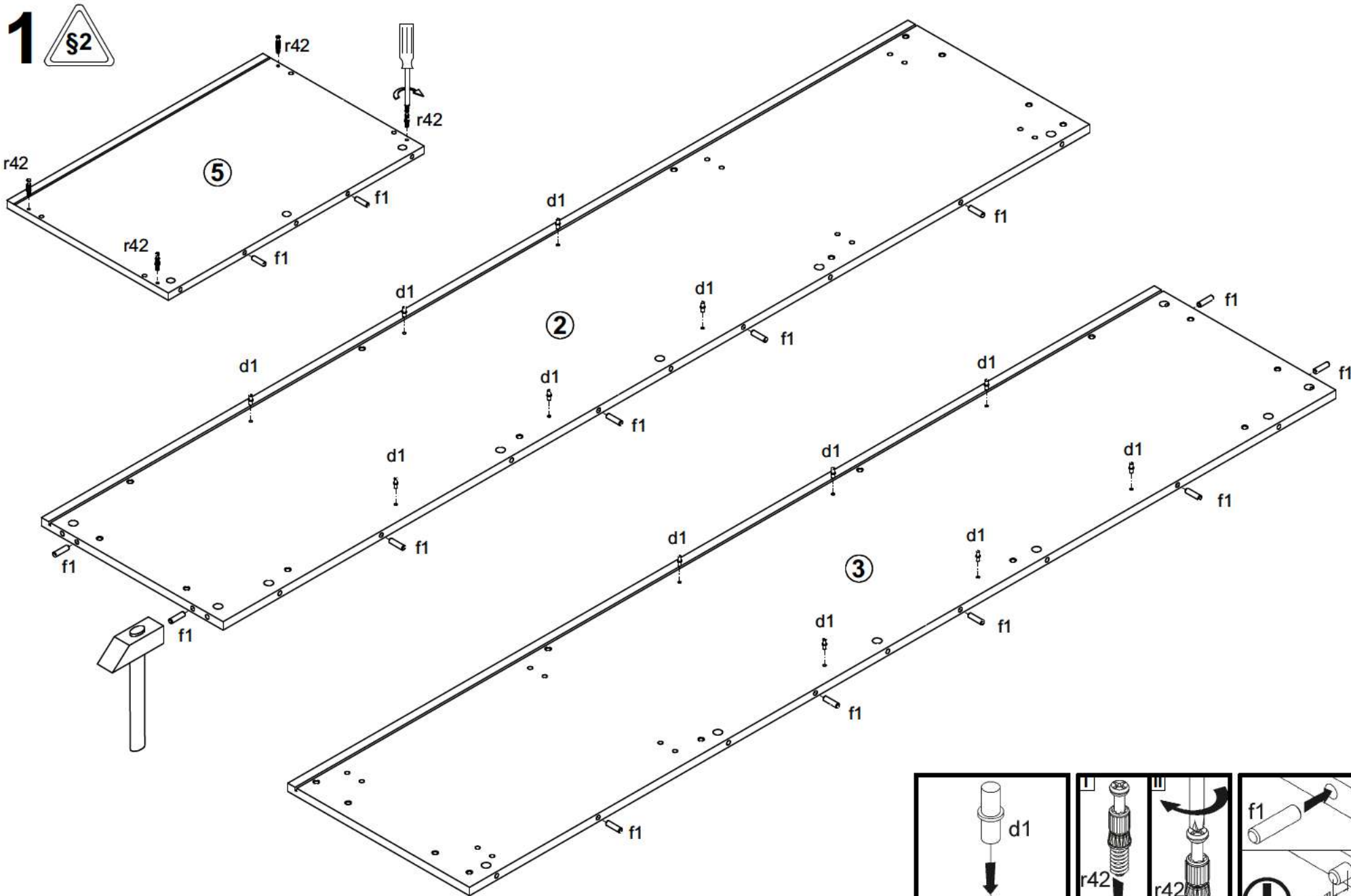


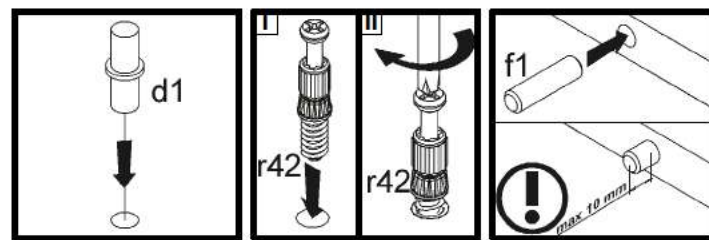
A	B	C (mm)		D
1	S228 0001	514	192	1/2
2	S228 101	1914	401	2/2
3	S228 102	1914	401	2/2
4	S228 103	388	381	1/2
5	S228 201	636	401	1/2
6	S228 3301	604	381	1/2
7	S228 3302	604	381	1/2
8	S228 3303	603	376	2/2
9	S228 4404	508	60	1/2
10	S228N 5501	681	80	1/2
11	S228N 5502	520	80	1/2
12	S228N 5503	602	60	1/2
13	S228N 5504	1910	80	2/2
14	S228N 5505	1910	80	2/2
15	S228N 5506	401	80	1/2
16	S228N 5507	1920	58	2/2
17	S228N 5508	285	80	1/2
18	S228N 5509	1910	58	2/2
19	S228 901	1840	614	2/2
20	S228 9945	478	358	1/2
21	BPK 511	350	140	1/2
22	BPK 512	350	140	1/2
23	ZBK 503	468	127	1/2



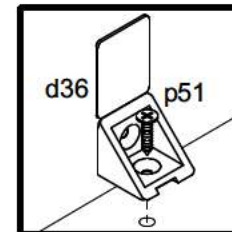
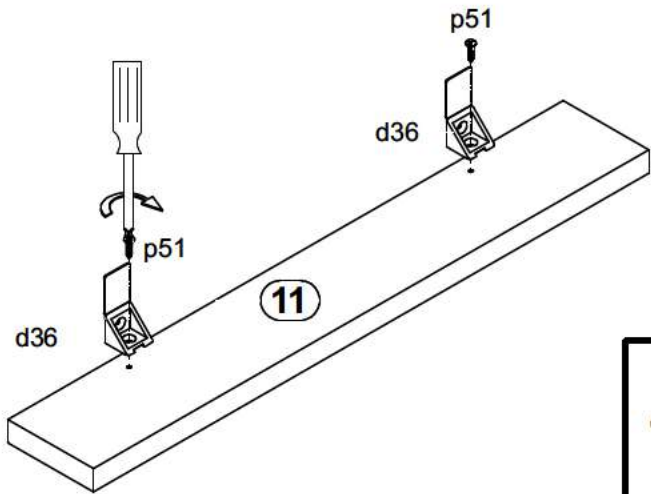
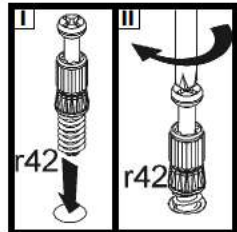
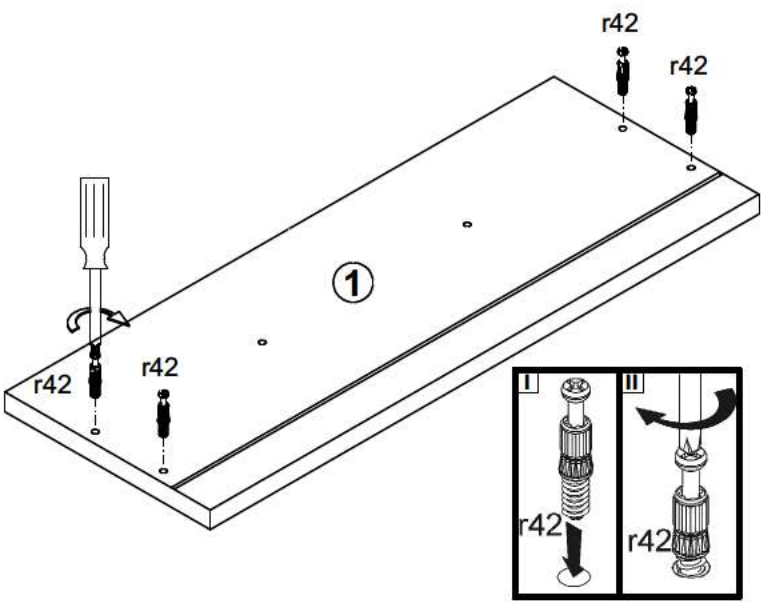
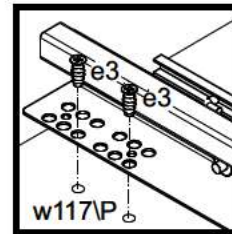
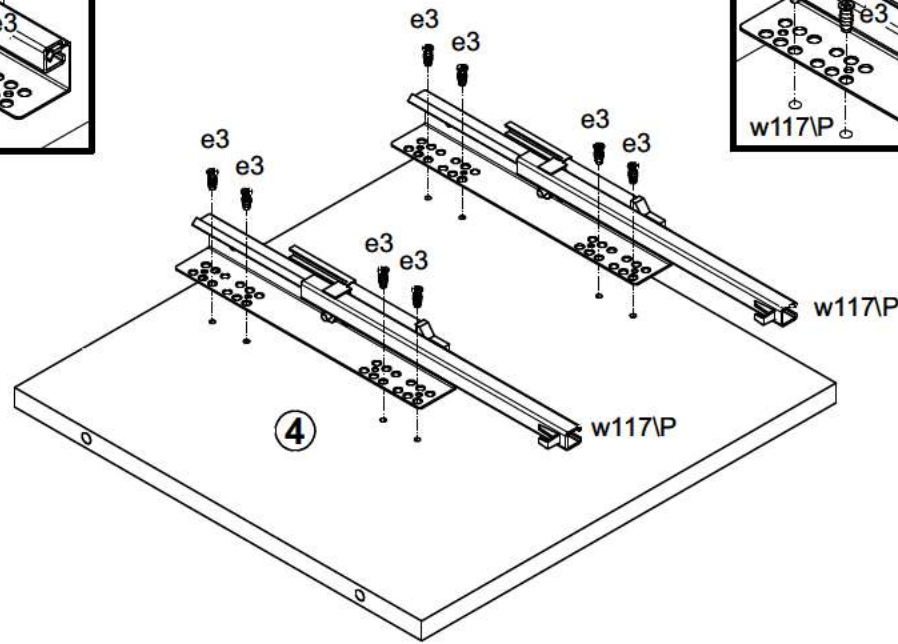
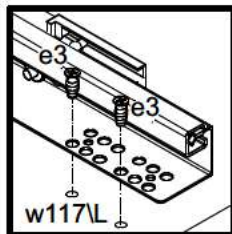
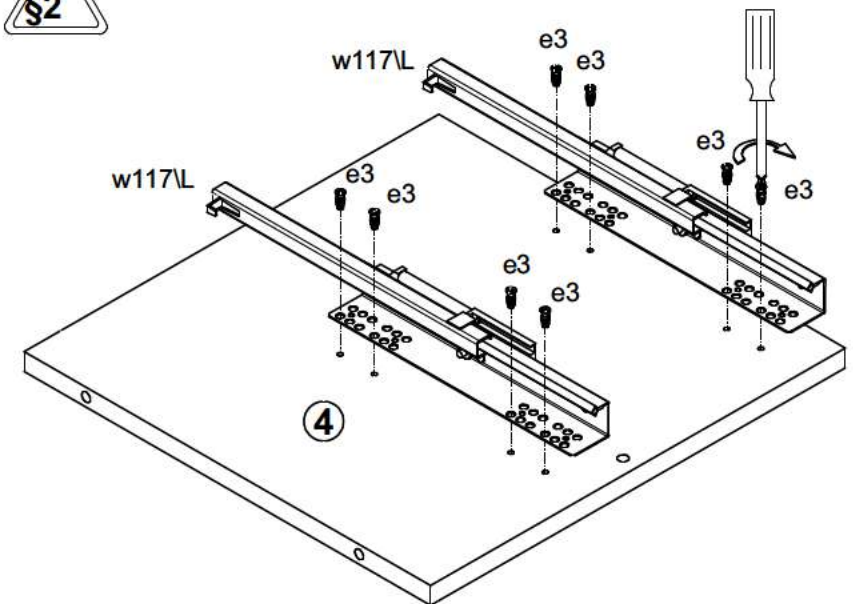
2x 192mm c280	12x ø5x17 mm d1	2x d36	8x W7x50 mm e1	16x W6x13 mm e3	24x W7x28 mm e22	34x W8x30 mm f1	16x W8x20 mm f13	8x W8,5x40 mm f25	4x M4x22 mm j30	6x k1	2x 83x83x11 k101	12x l1
17x l2	3x ø75	1x ø80	1x 5W ø75	3x W4x30 mm p9	2x W3,5x16 mm p25	2x W3,5x10 mm p35	12x W8,5x16 mm p38	4x W8,5x15 mm p51	4x W8,5x20 mm p79	25x W1 5x12 mm #16 r1	25x 2011 r42	2x W8,5x16 mm p38
16x s1	12x W16 s2	2x 350 mm t35	2x 350 mm W117L	2x 350 mm W117P	1x z1	1x W10x50 mm f35	1x 81x21x15/1.5 n14	1x W5x60 mm p17				

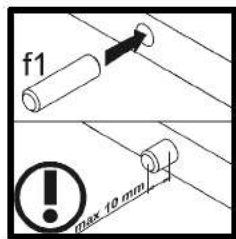
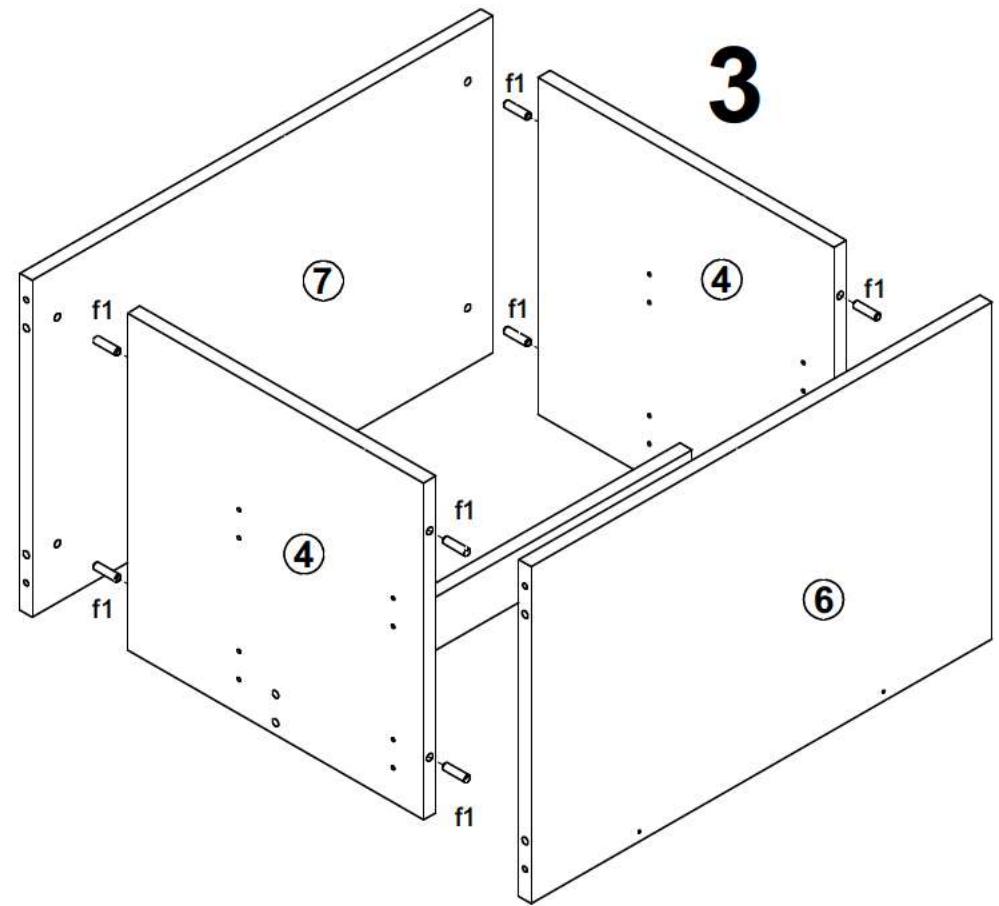
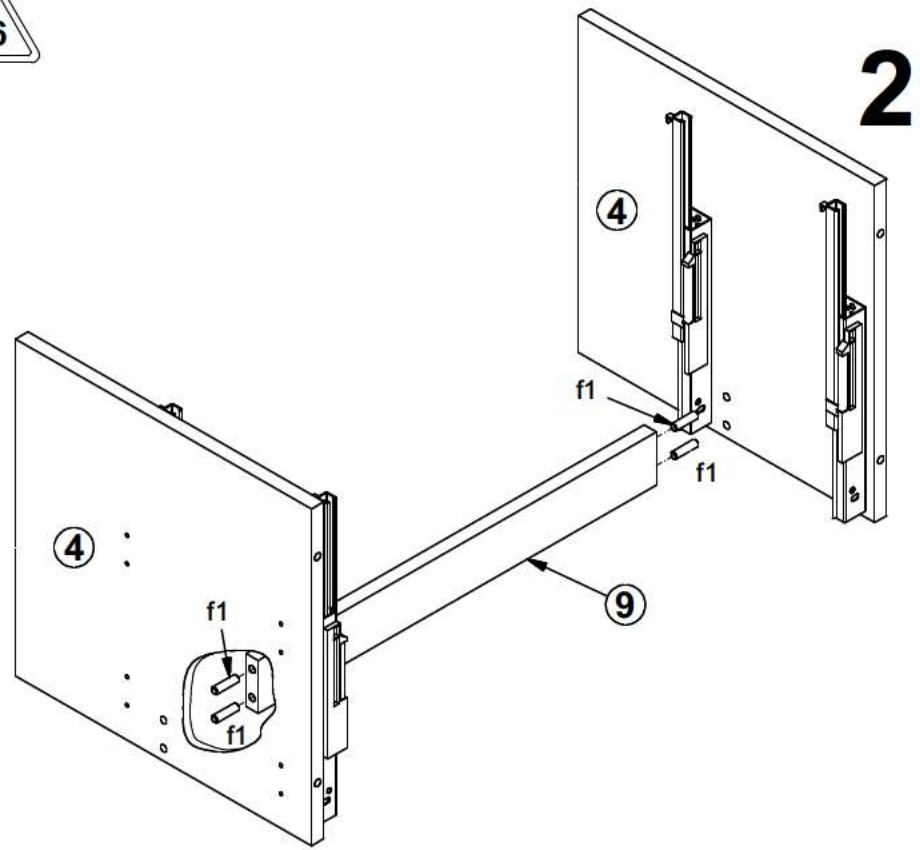


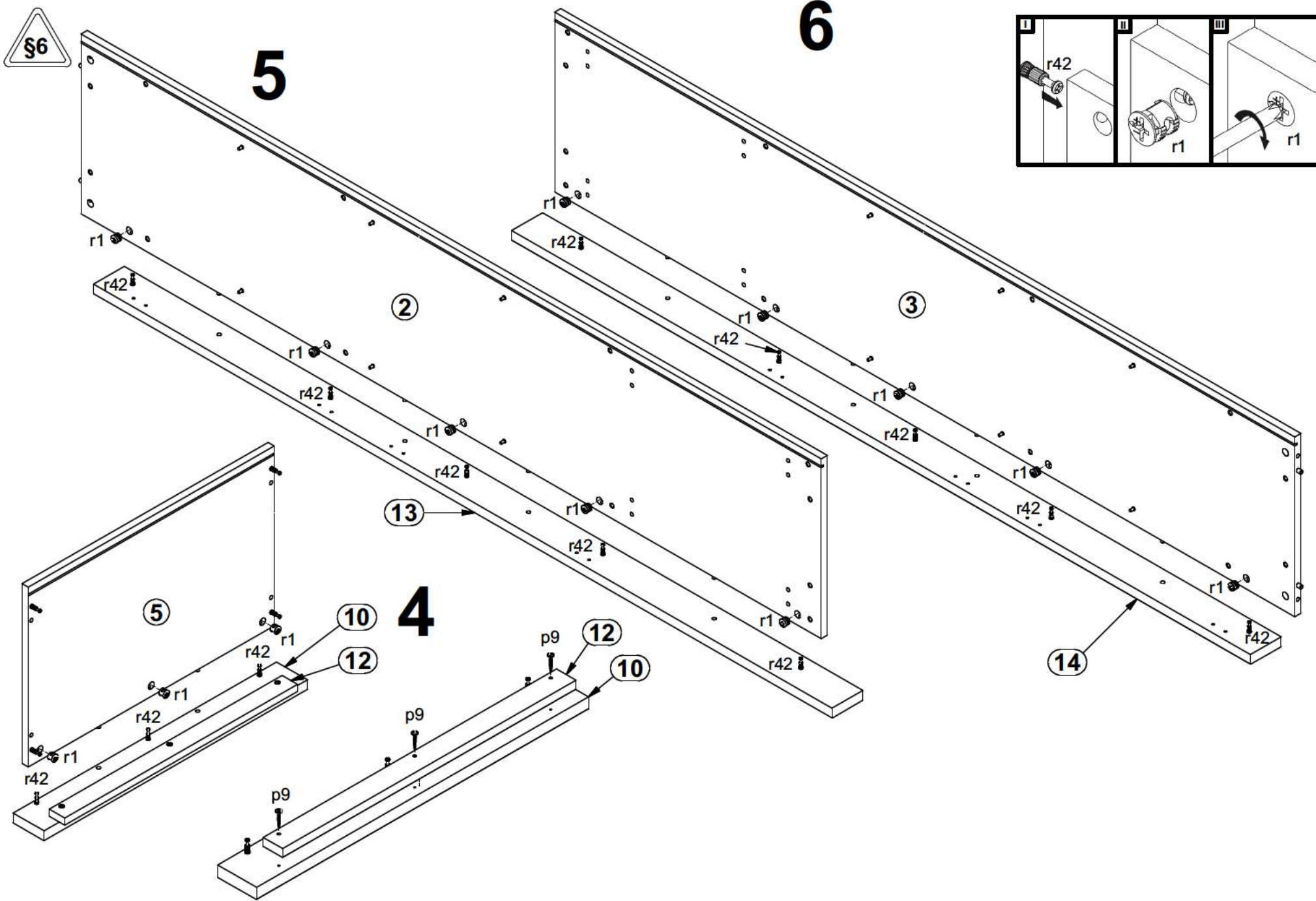
1 §2

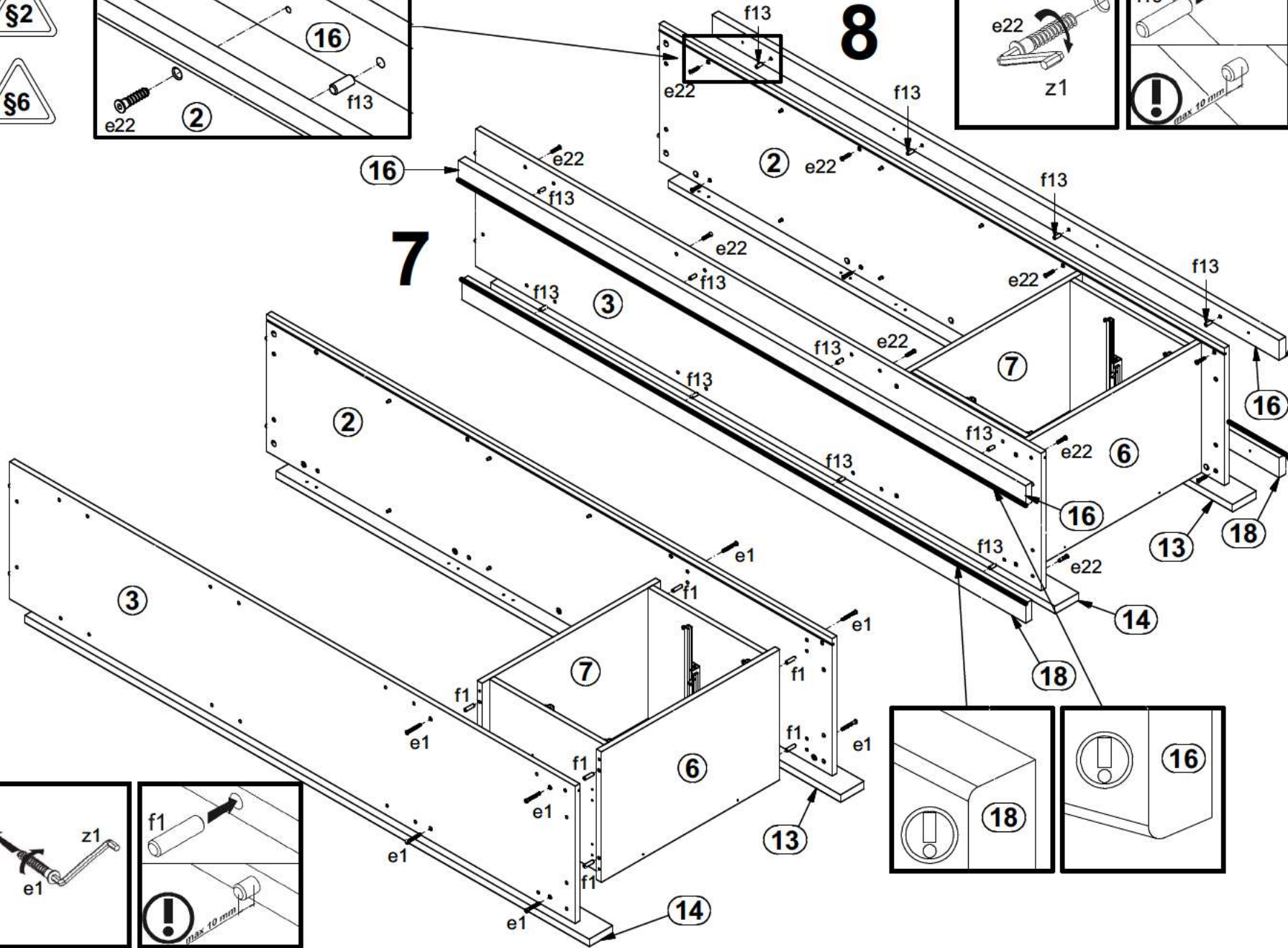
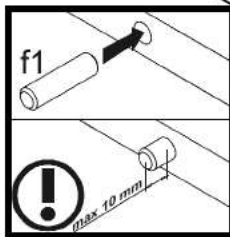
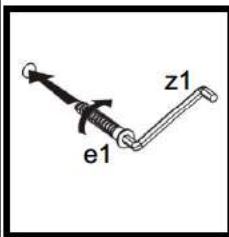
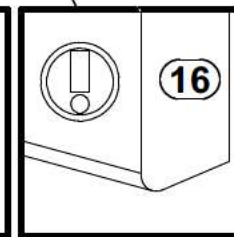
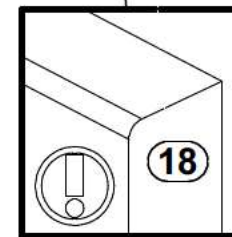
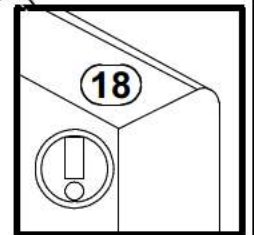
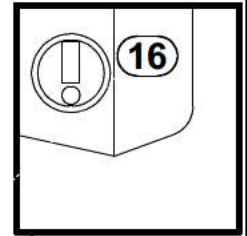
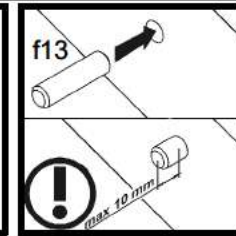
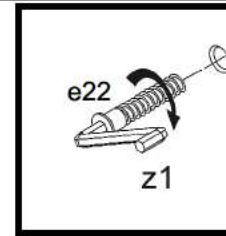
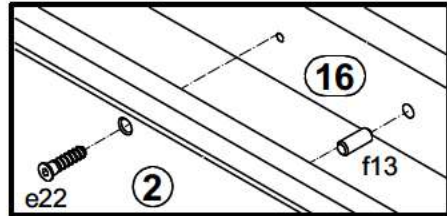


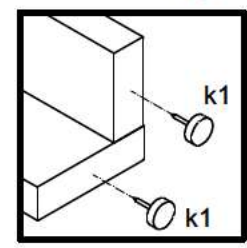
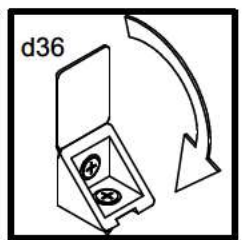
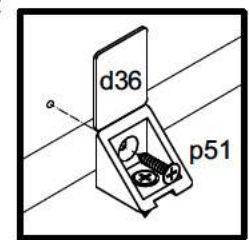
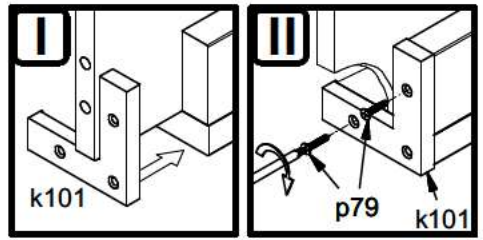
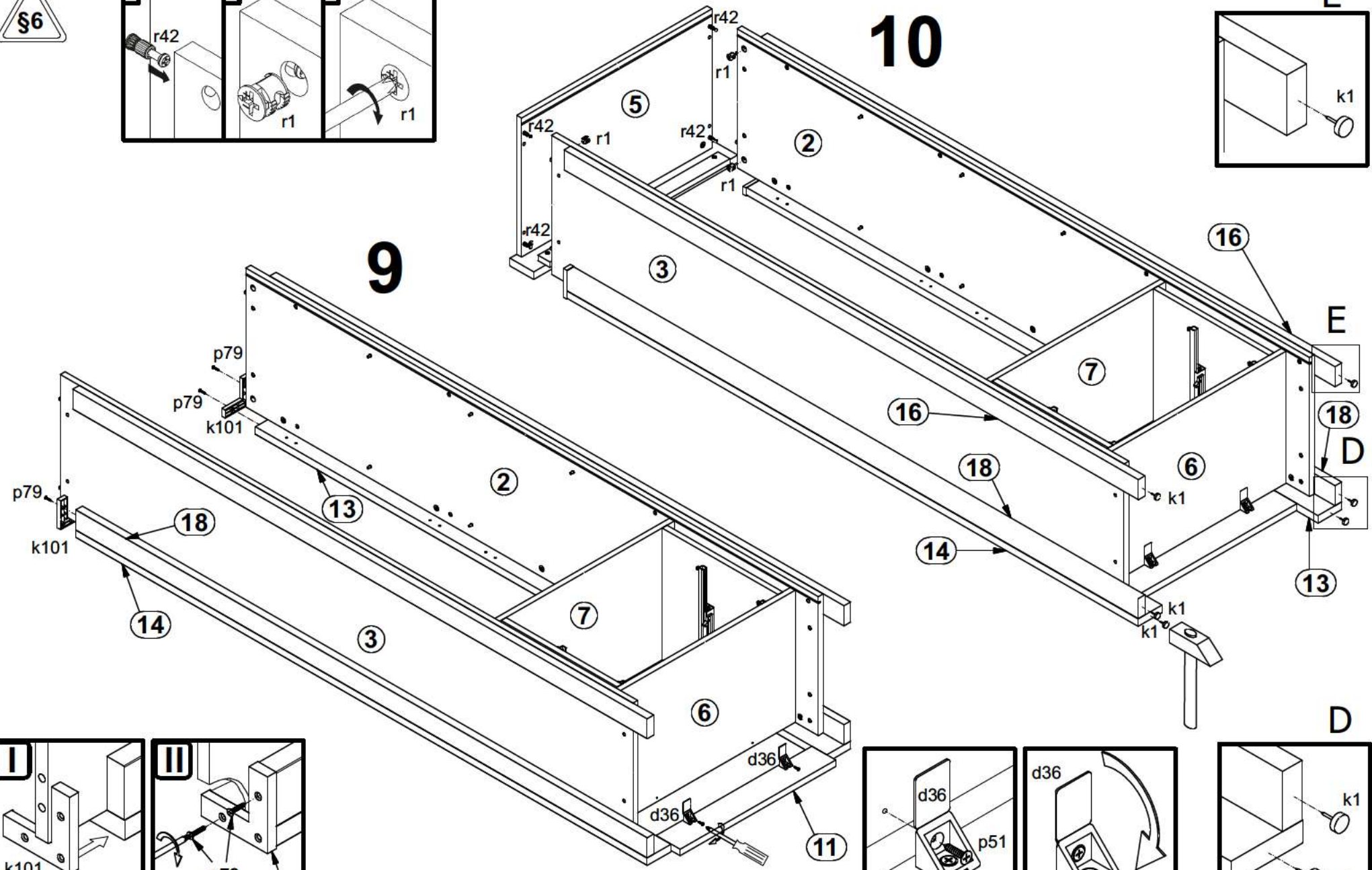
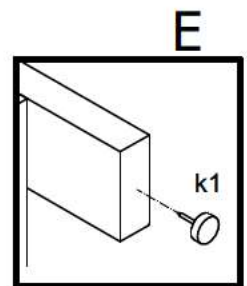
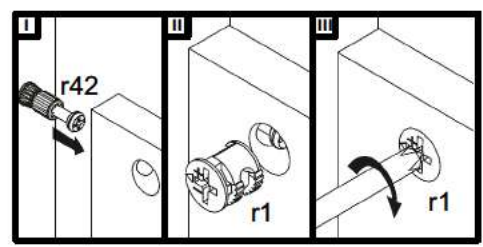
1

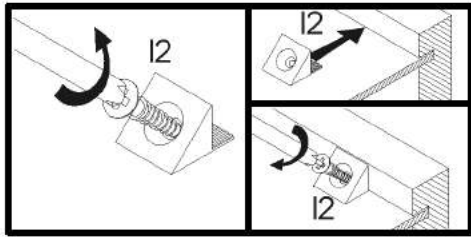




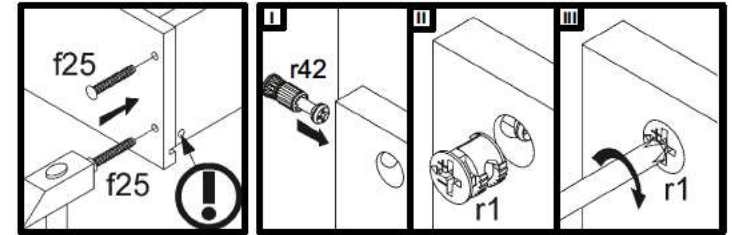
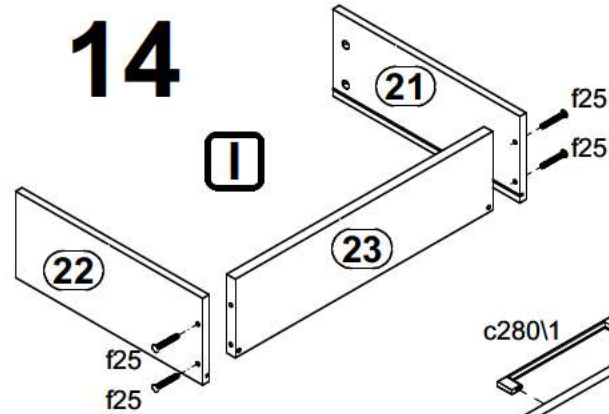




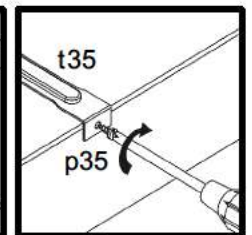
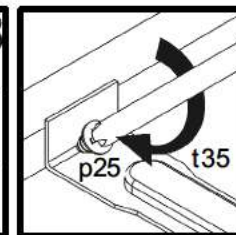
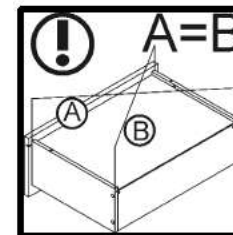
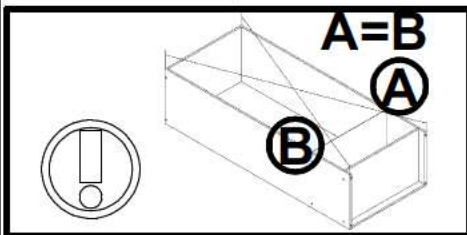
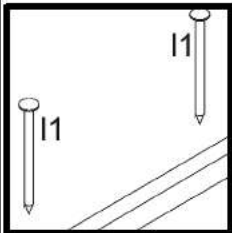
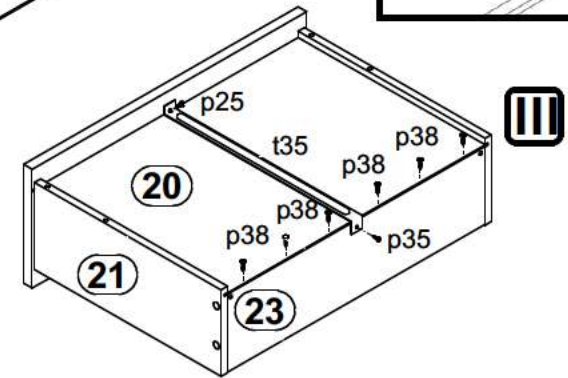
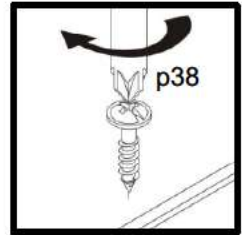
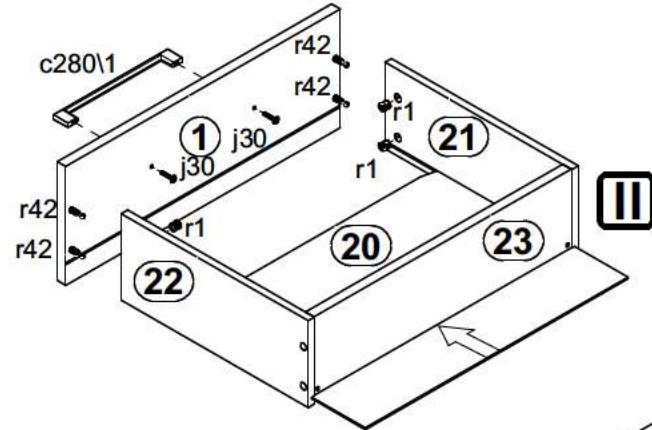
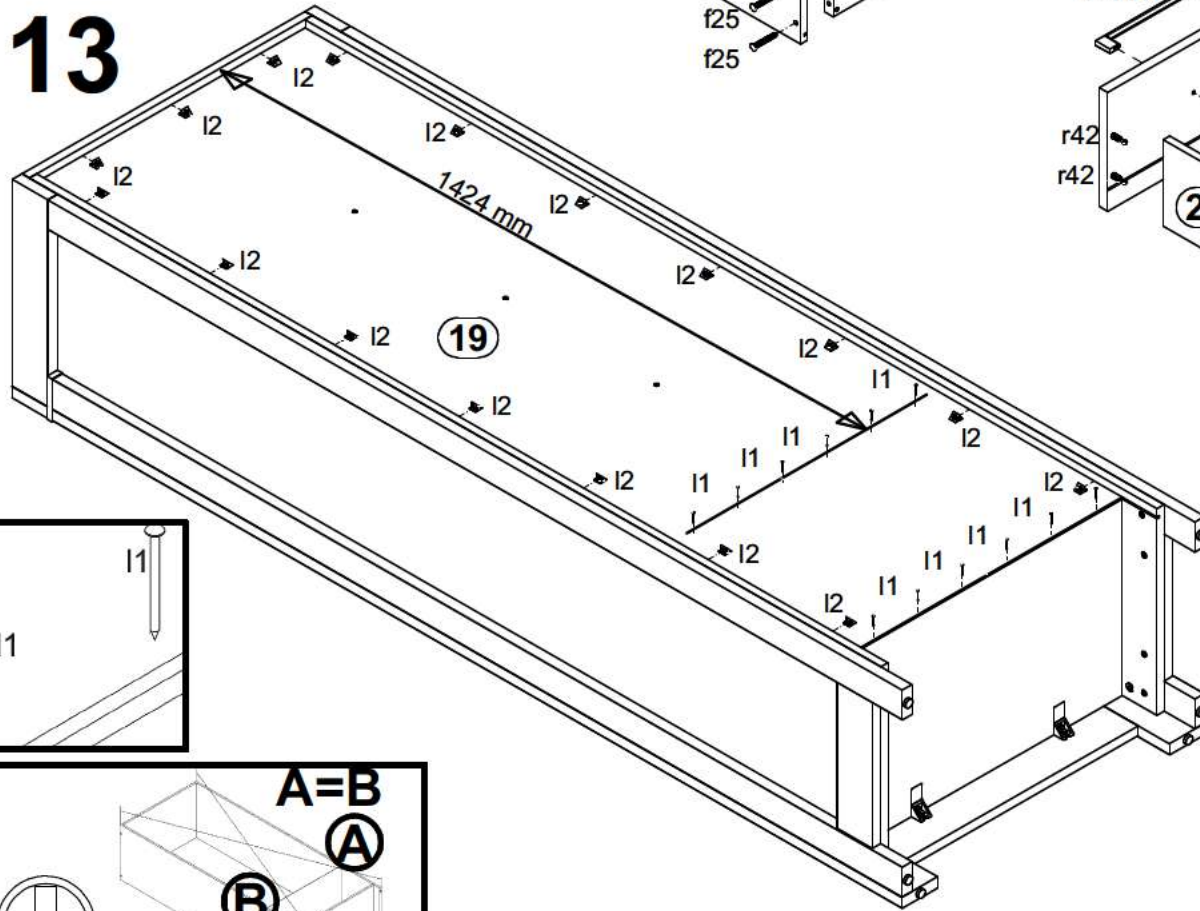


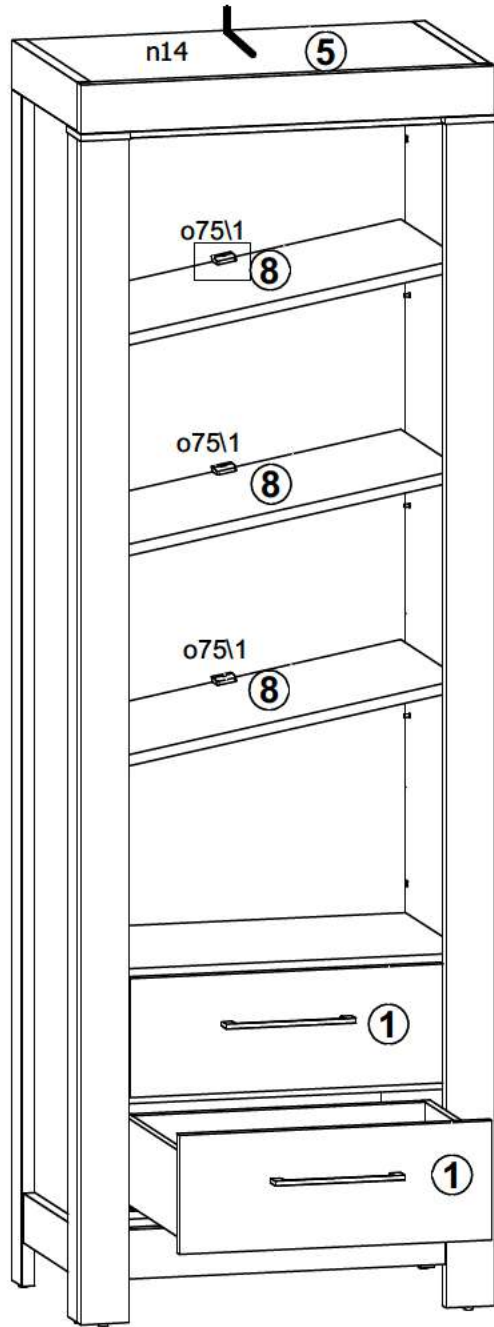


14



13





13

§6

