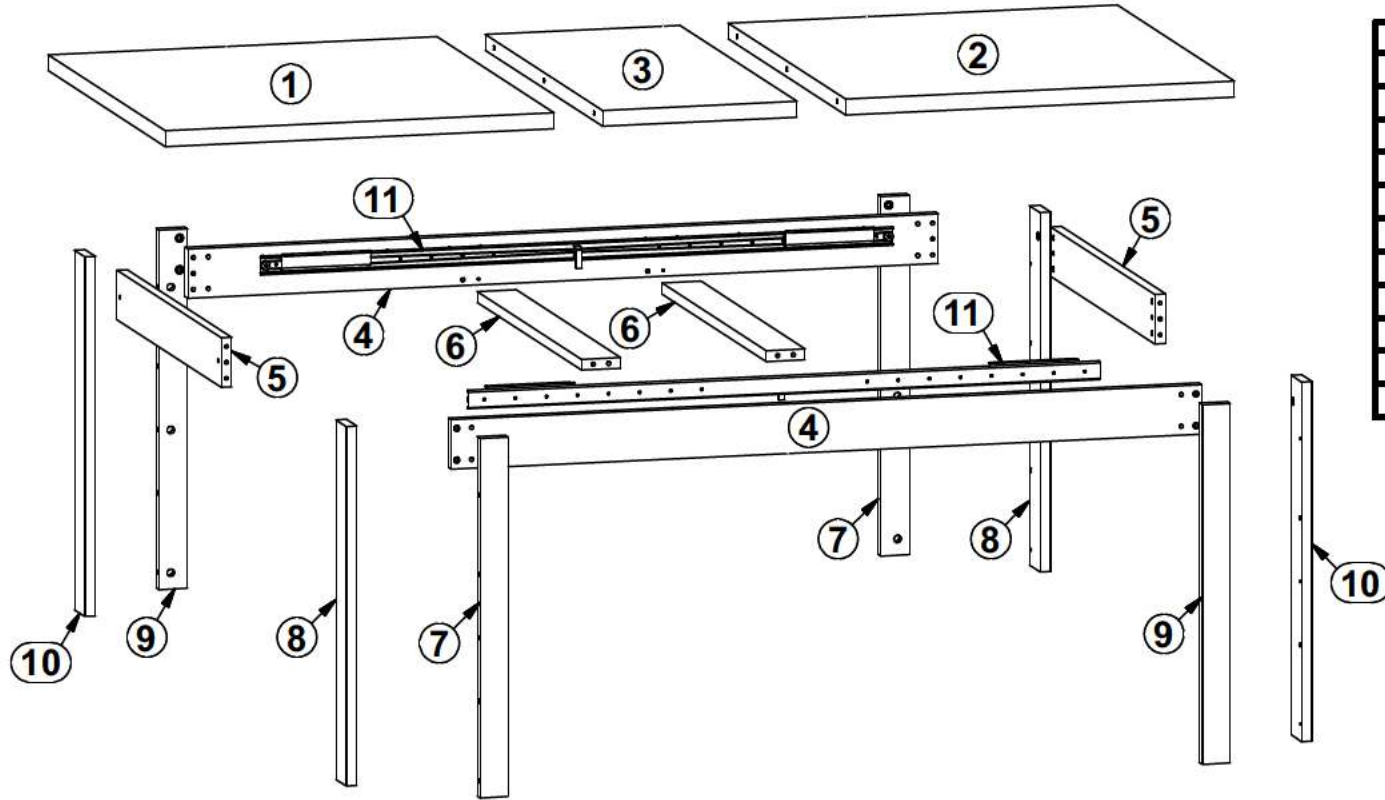
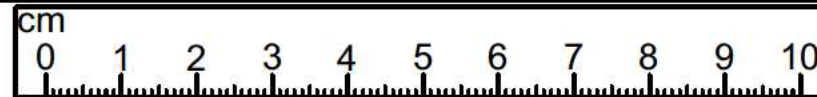
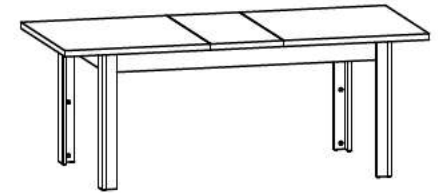


90 min

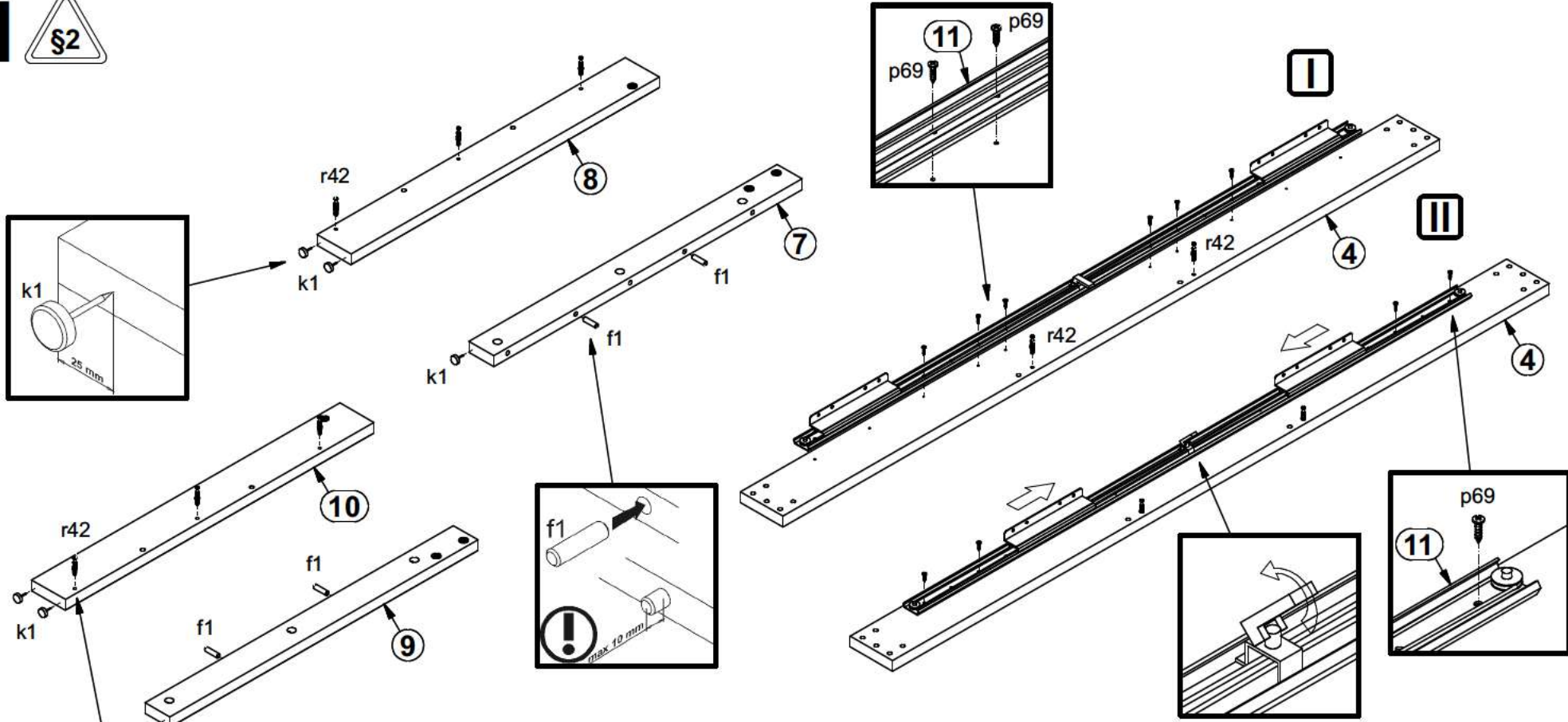


A	B	C (mm)		D
1	S214 205	800	900	1/2
2	S214 206	800	900	1/2
3	S214 207	400	900	1/2
4	S214 403	1544	100	2/2
5	S214 404	800	100	2/2
6	S214 405	800	80	2/2
7	S214 5524	725	58	2/2
8	S214 5525	725	80	2/2
9	S214 5526	725	58	2/2
10	S214 5527	725	80	2/2
11	w121	1300		2/2

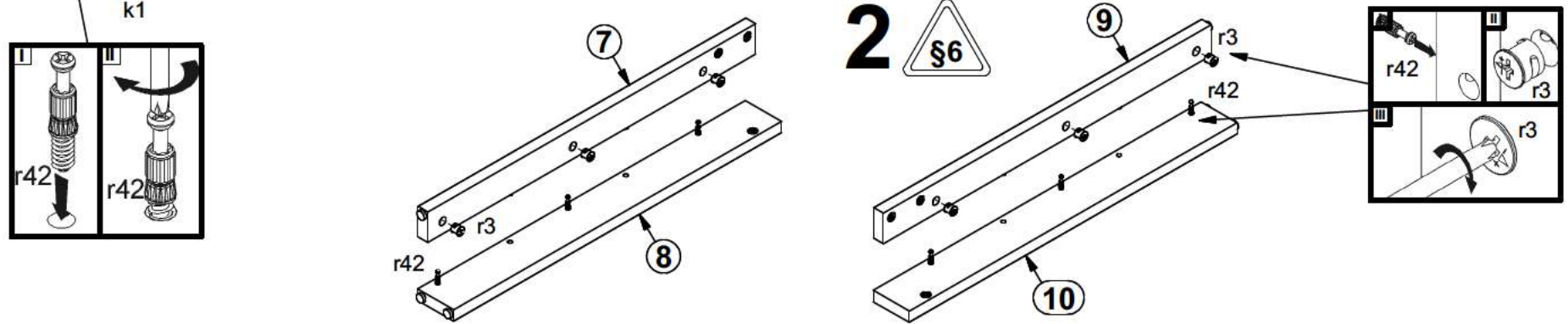


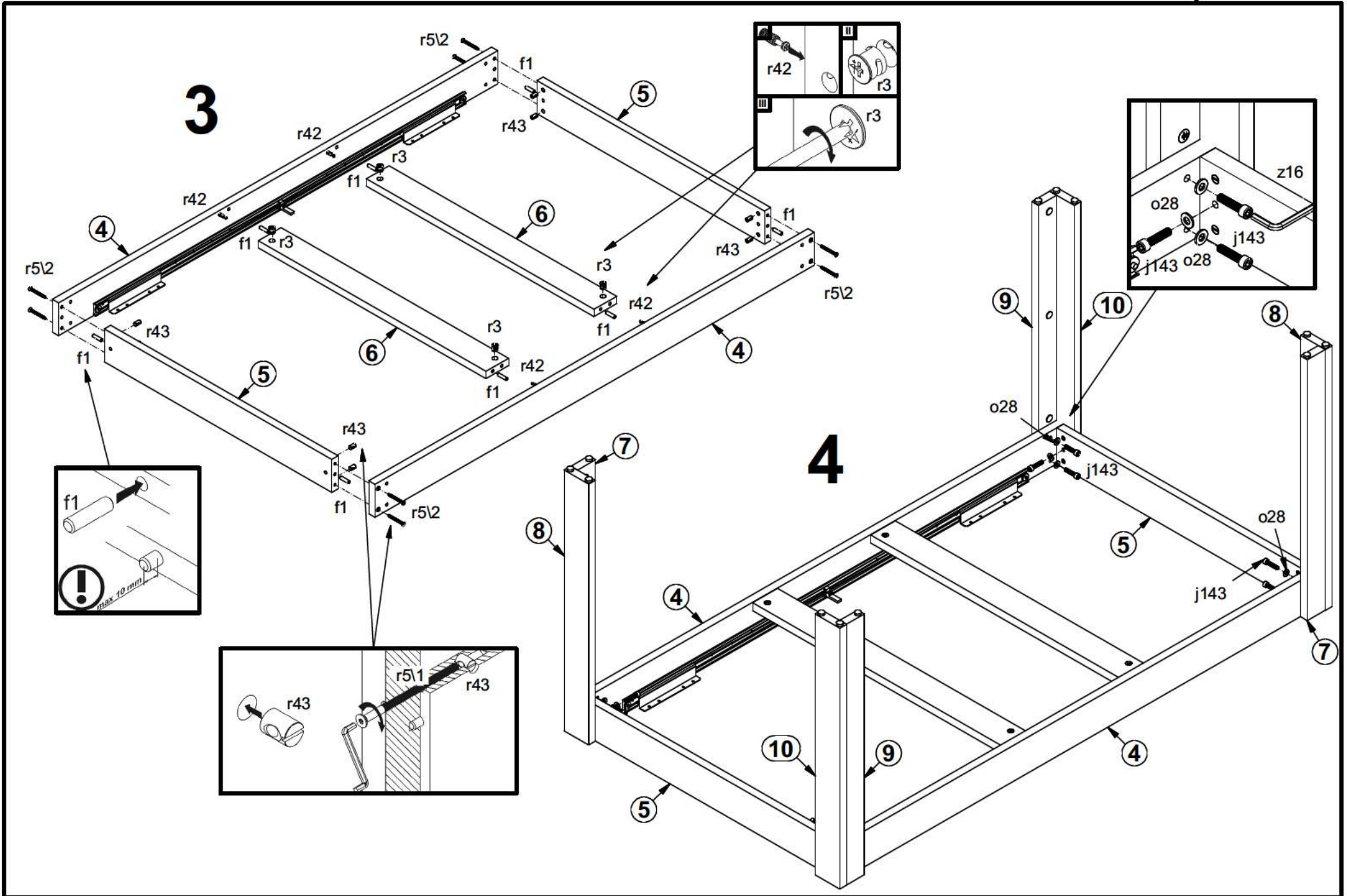
- 16x f1
- 12x j143
- 12x k1
- 12x o28
- 36x p69
- 16x r3
- 16x r42
- 8x r43
- 8x r5\2
- 12x s2
- 1x z1
- 1x z16

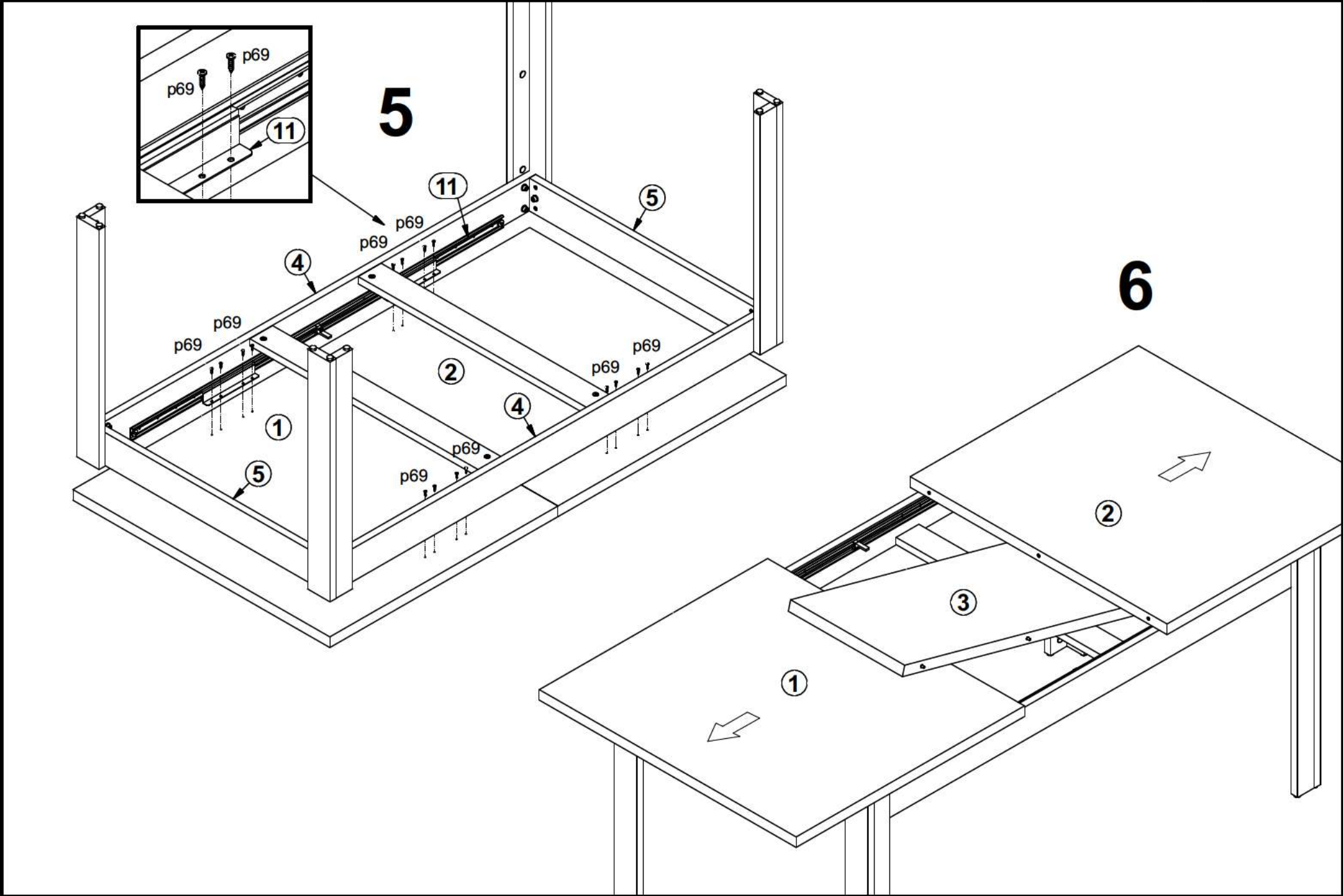
**1** 



**2** 







7

