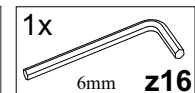
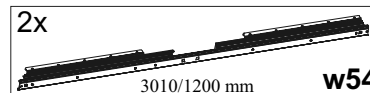
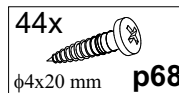
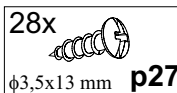
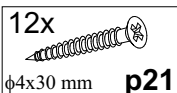
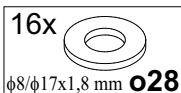
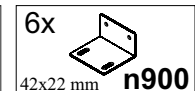
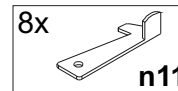
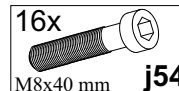
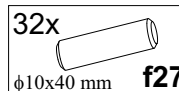
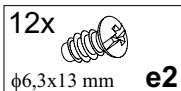
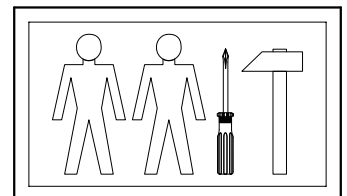
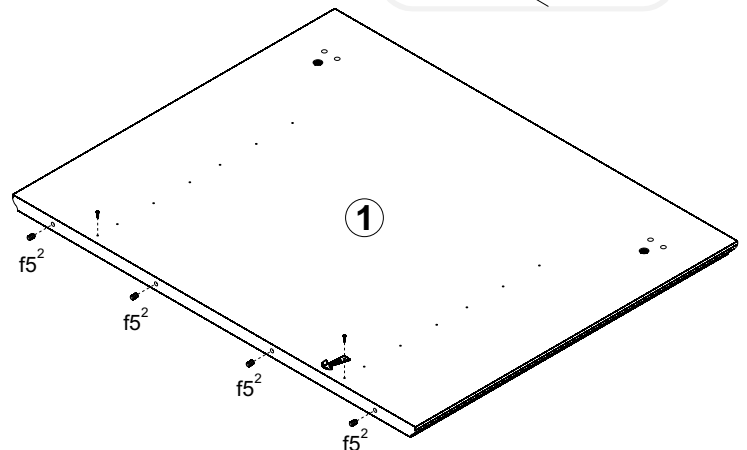
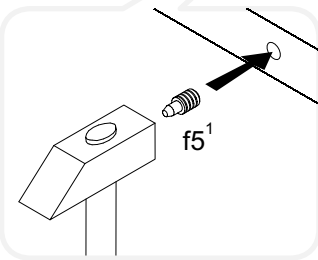
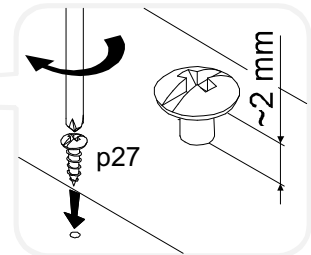
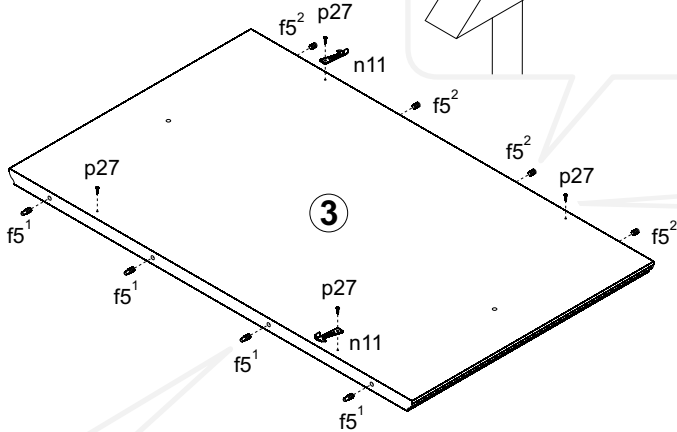
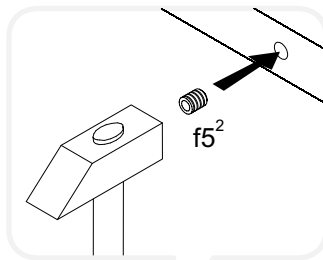
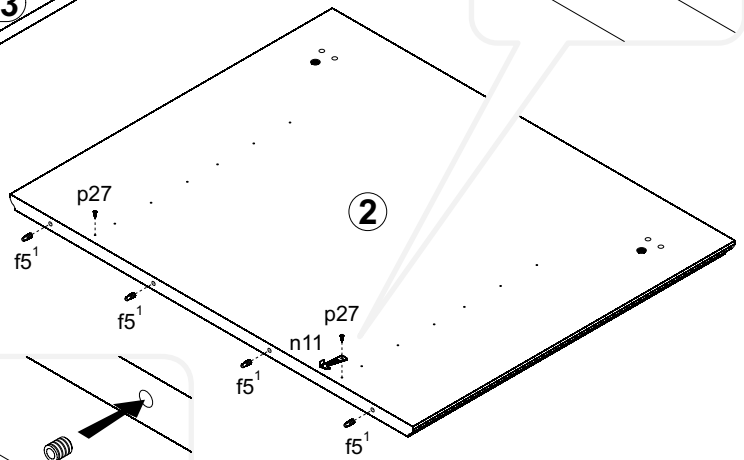
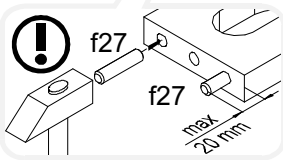
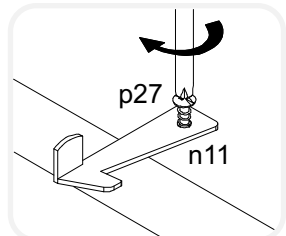
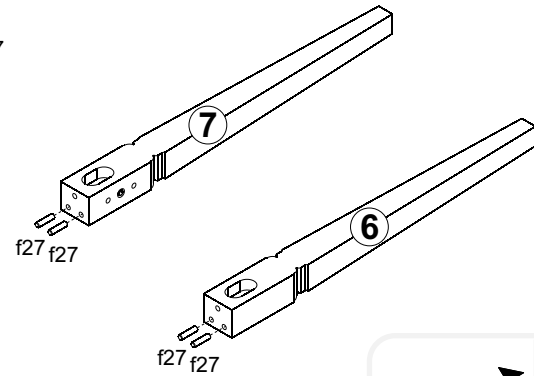
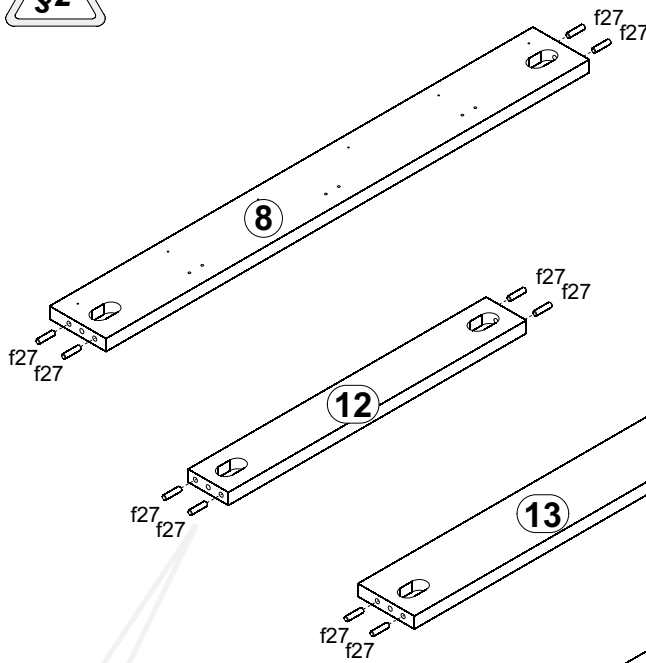


A	B	C	D	
1	ST2-202	1000	800	1/5
2	ST2-203	1000	800	1/5
3	ST2-205	1000	600	2/5
4	ST2-702	772	70	3/5
5	ST2-704	772	70	3/5
6	ST2-708	772	70	3/5
7	ST2-706	772	70	3/5
8	ST2-402	1200	140	4/5
9	ST2-403	1198	60	4/5
10	ST2-405	778	60	4/5
11	w54			4/5
12	ST2-401	740	100	5/5
13	ST2-404	740	140	5/5



1 



16x

метал.



f5¹

16x

метал.



f5²

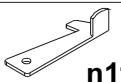
32x

φ10x40 mm



f27

8x



n11

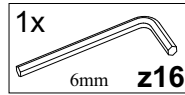
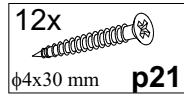
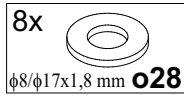
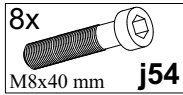
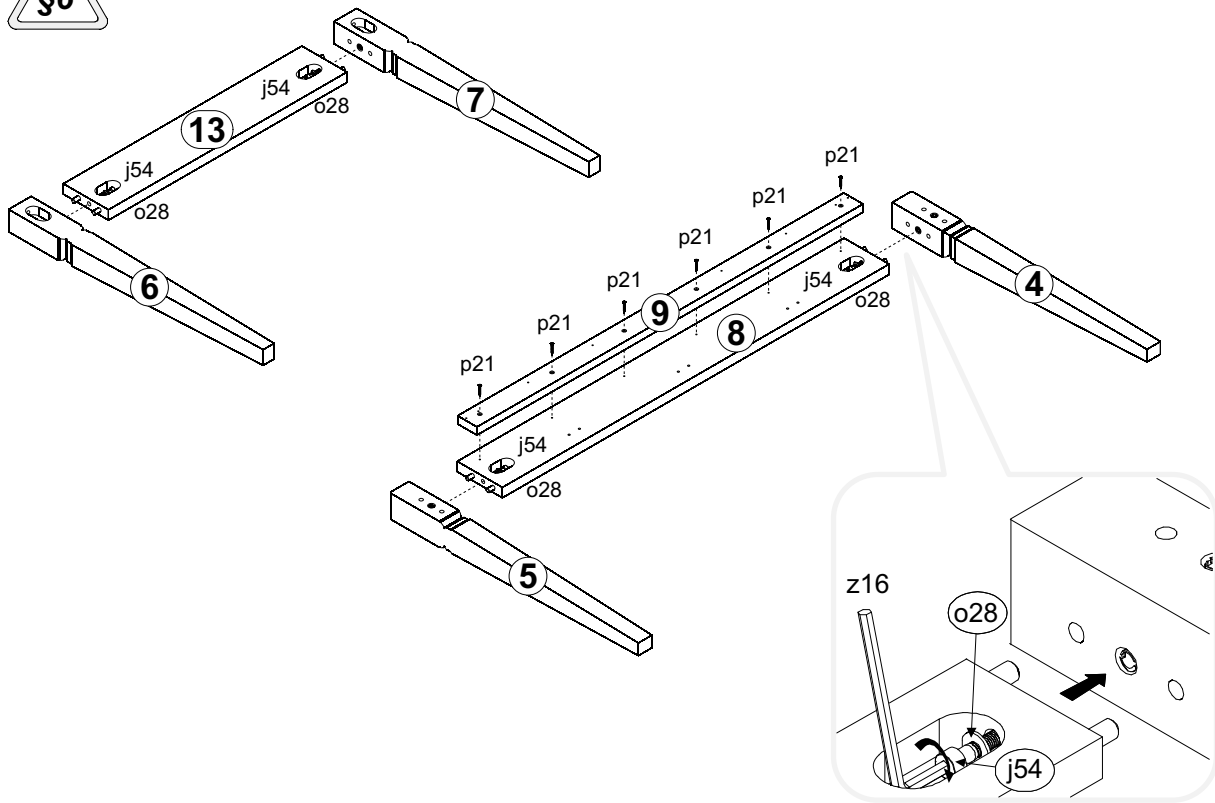
16x

φ3,5x13 mm

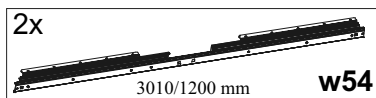
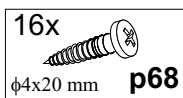
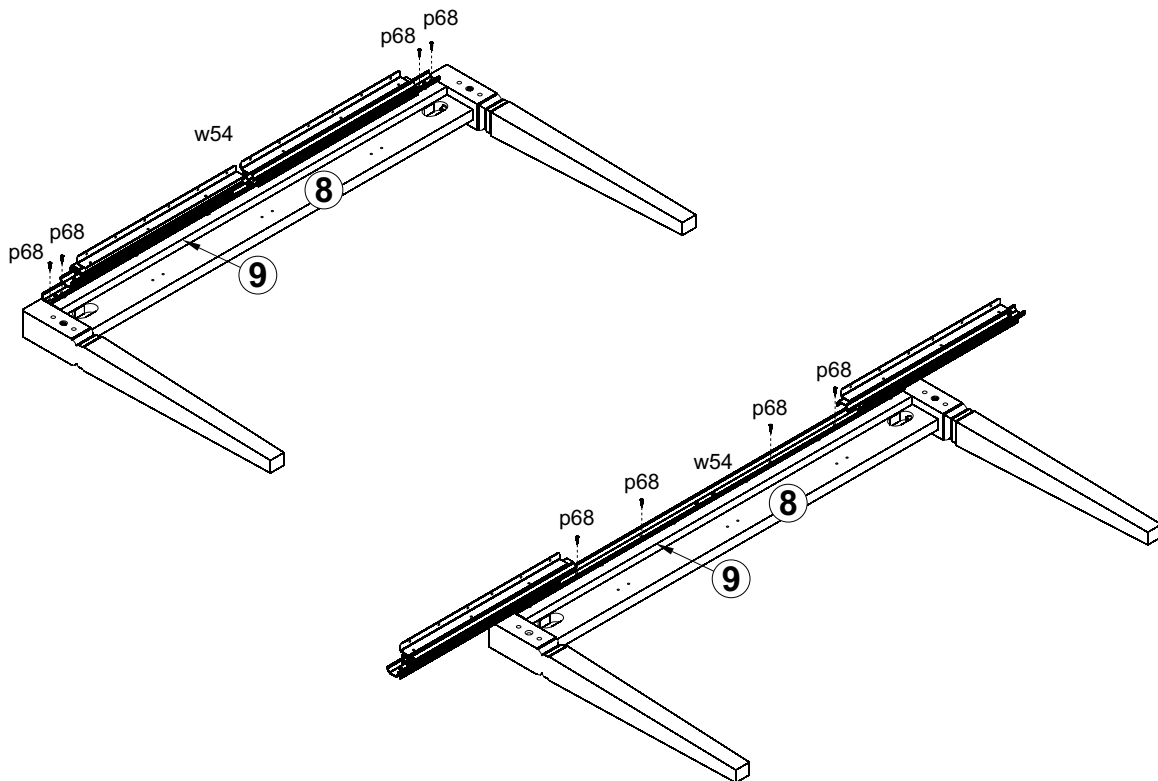


p27

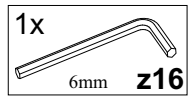
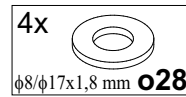
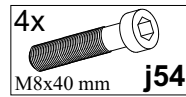
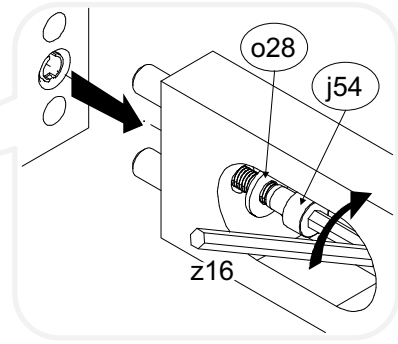
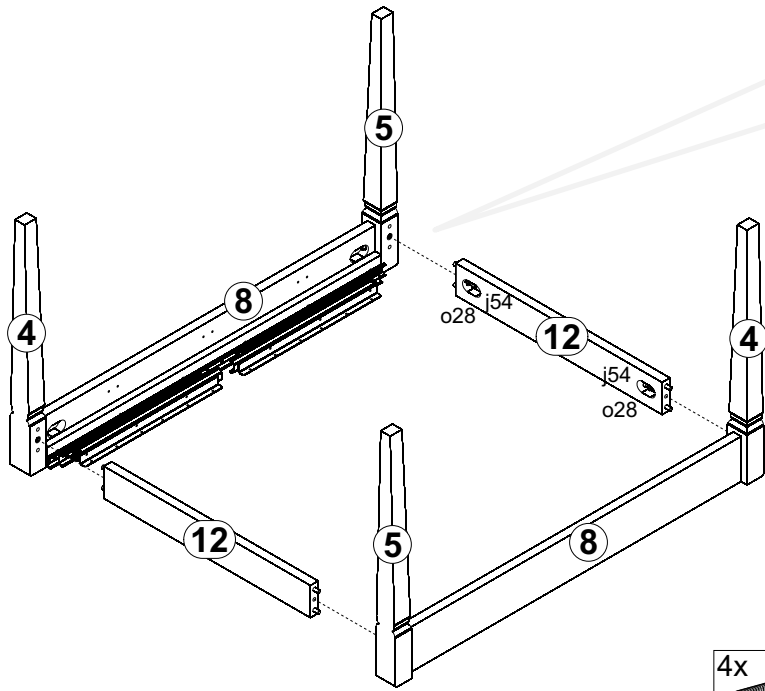
2



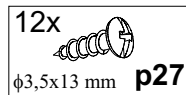
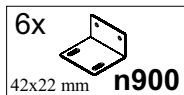
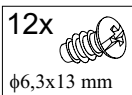
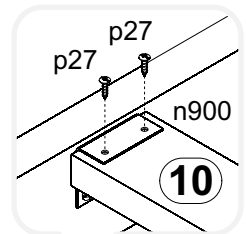
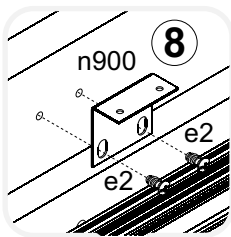
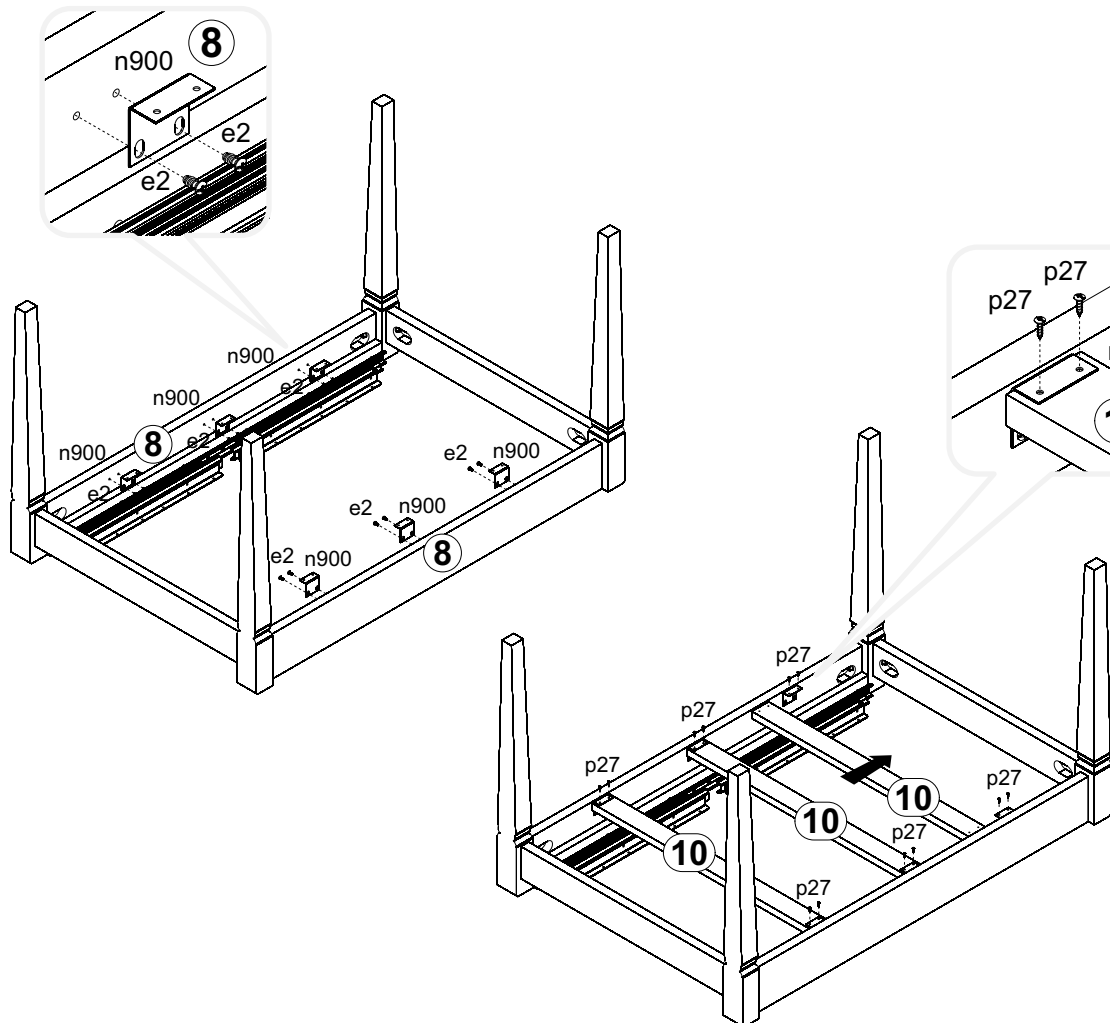
3



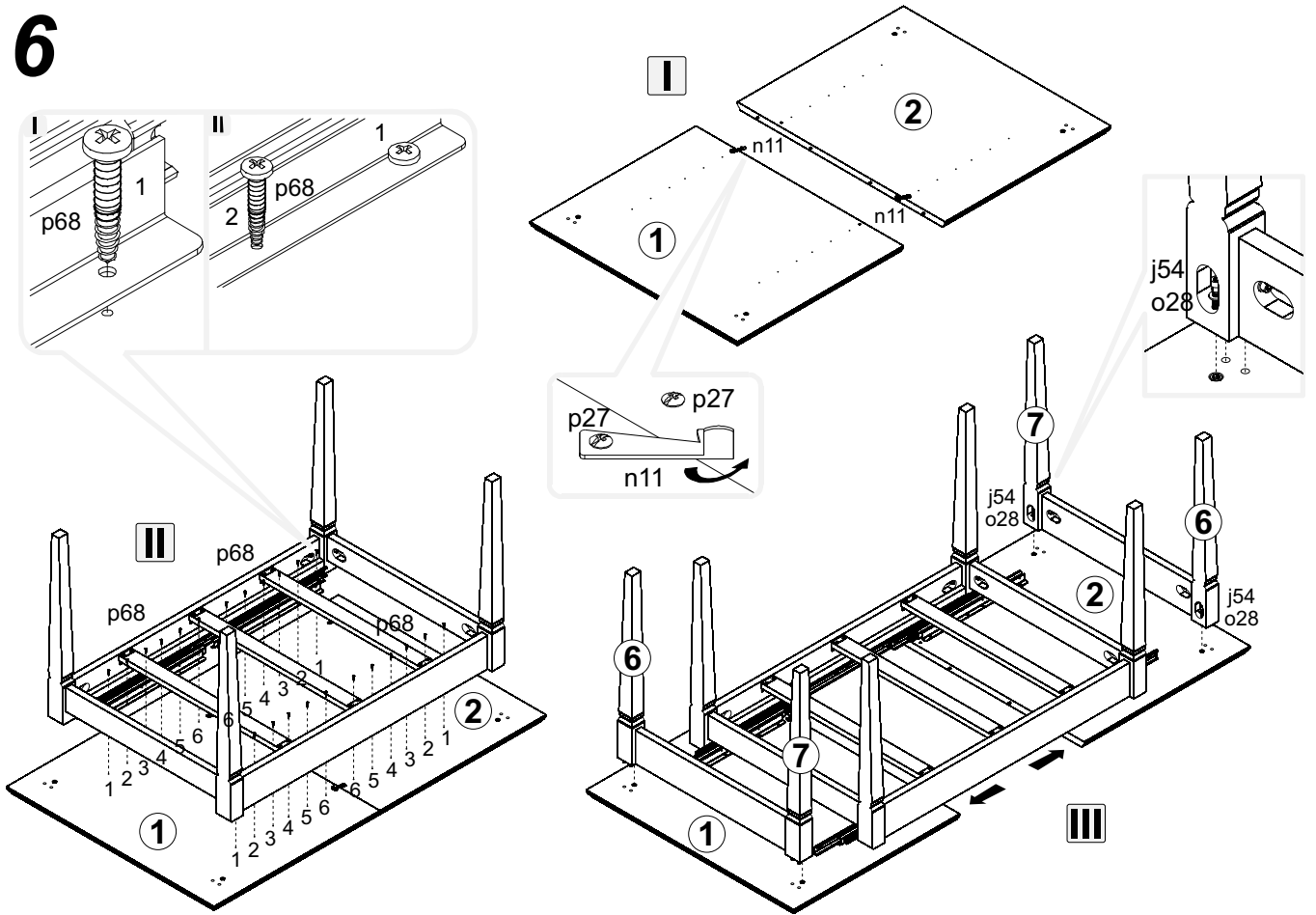
4

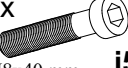

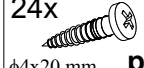



5

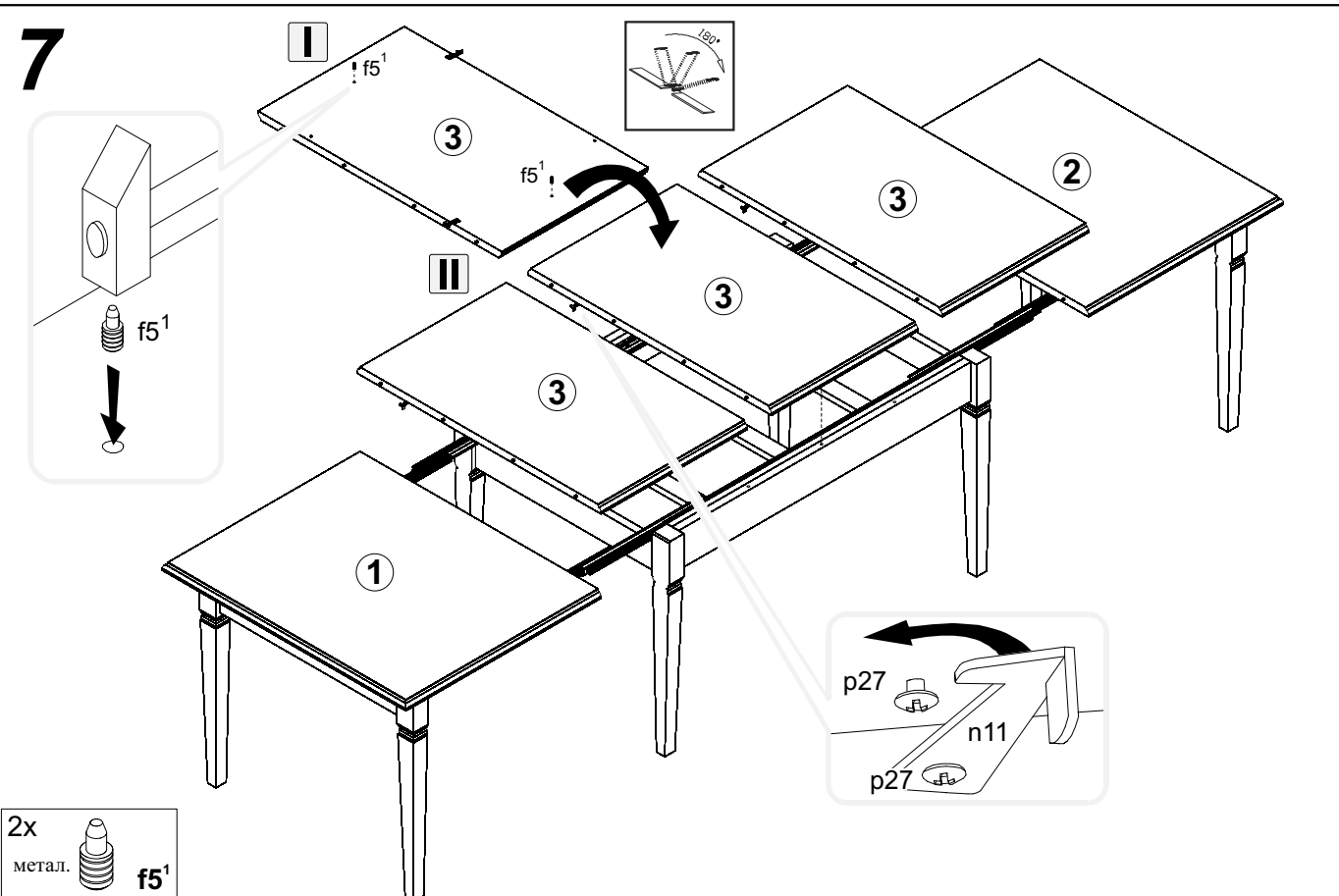


6



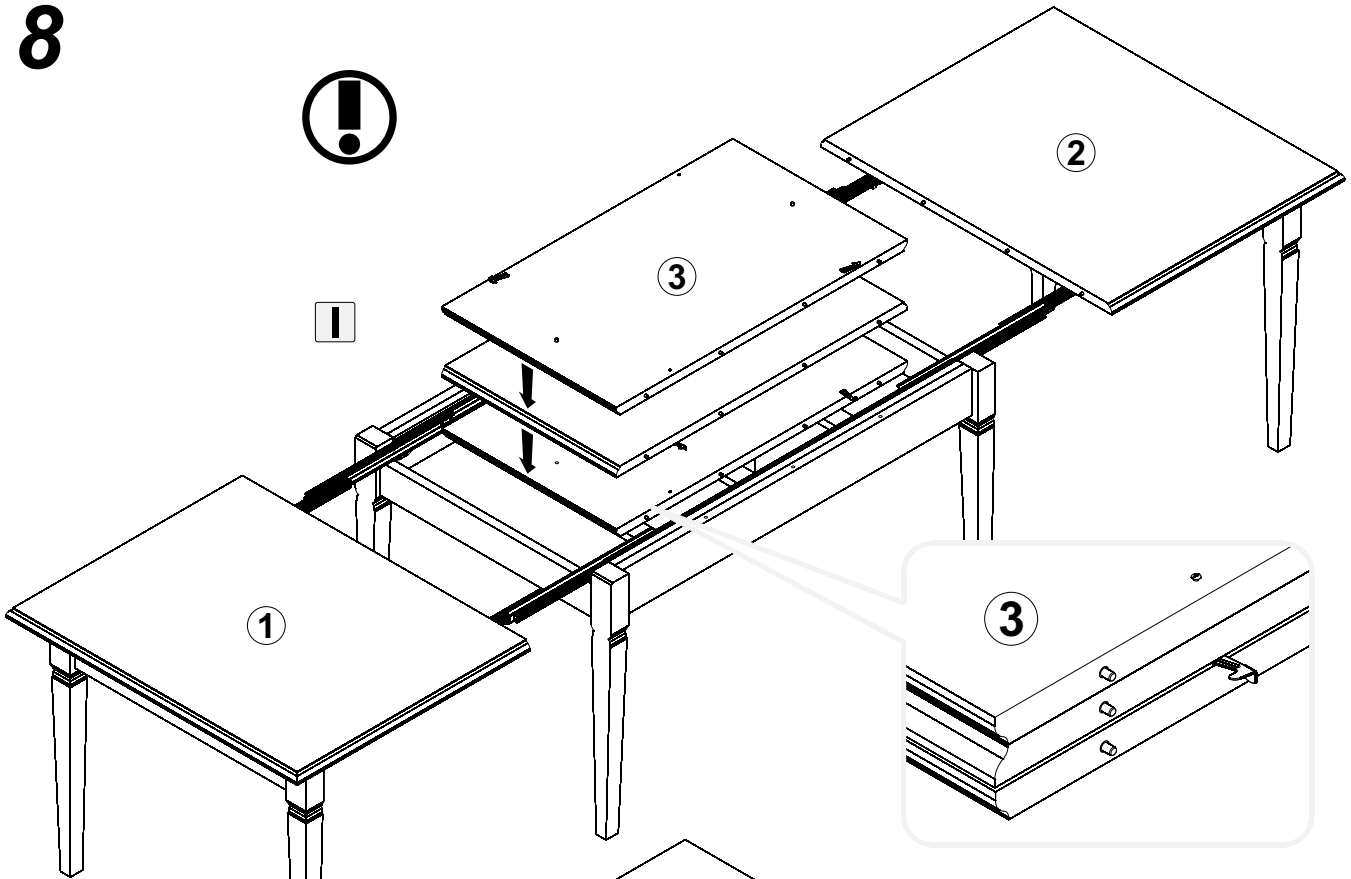
- 4x  M8x40 mm **j54**
- 4x  $\phi 8/\phi 17 \times 1,8$ mm **o28**
- 24x  $\phi 4 \times 20$ mm **p68**
- 1x  6mm **z16**

7

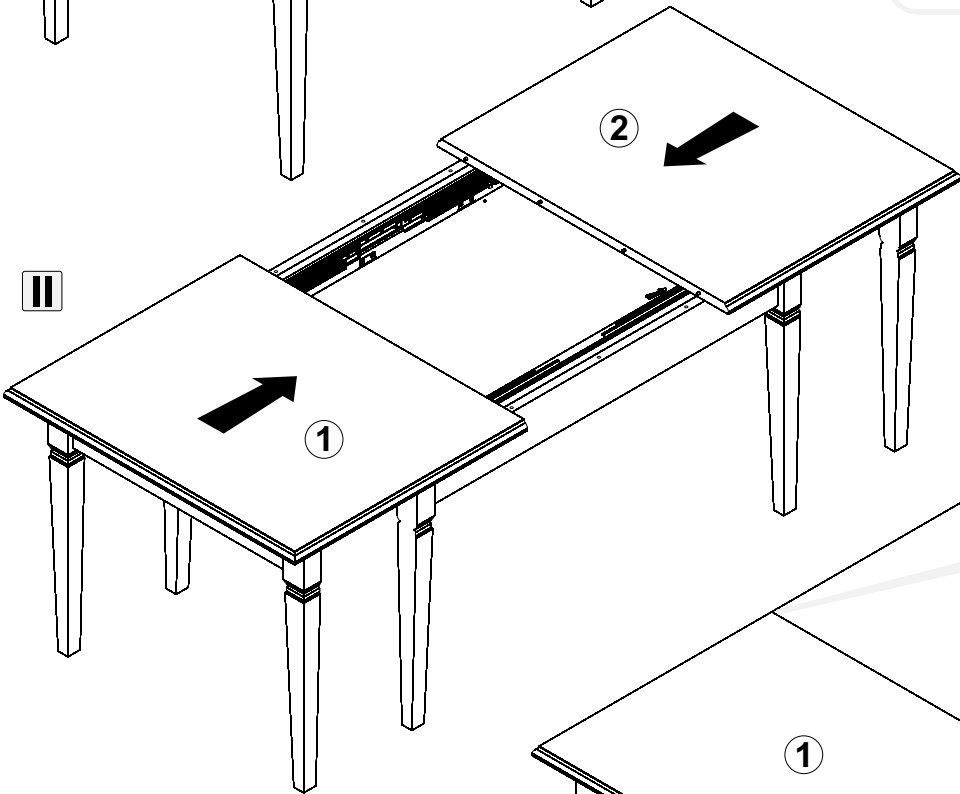


- 2x  метал. **f5'**

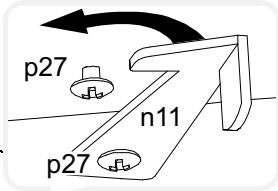
8



I



II



III

