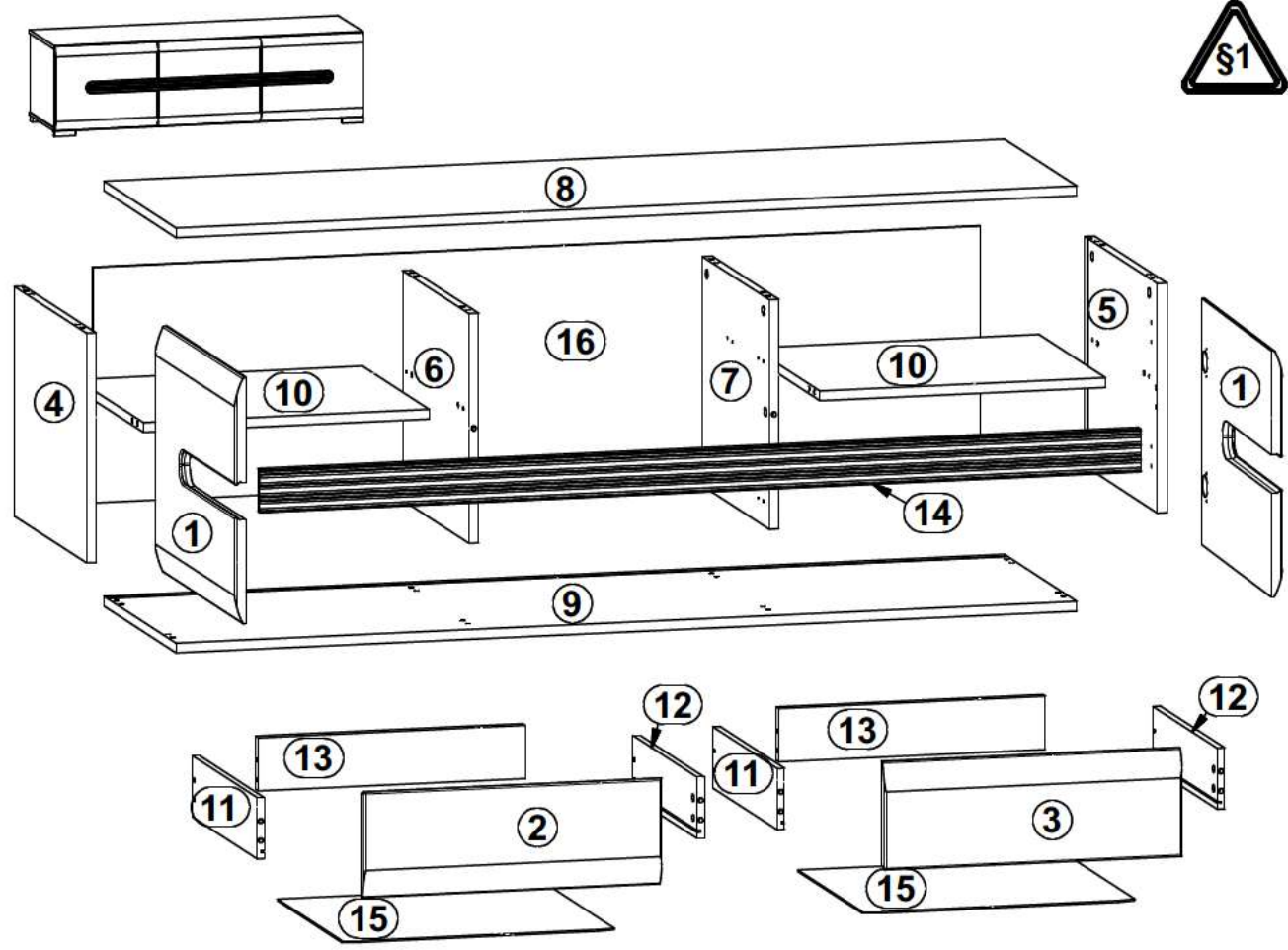


90 min

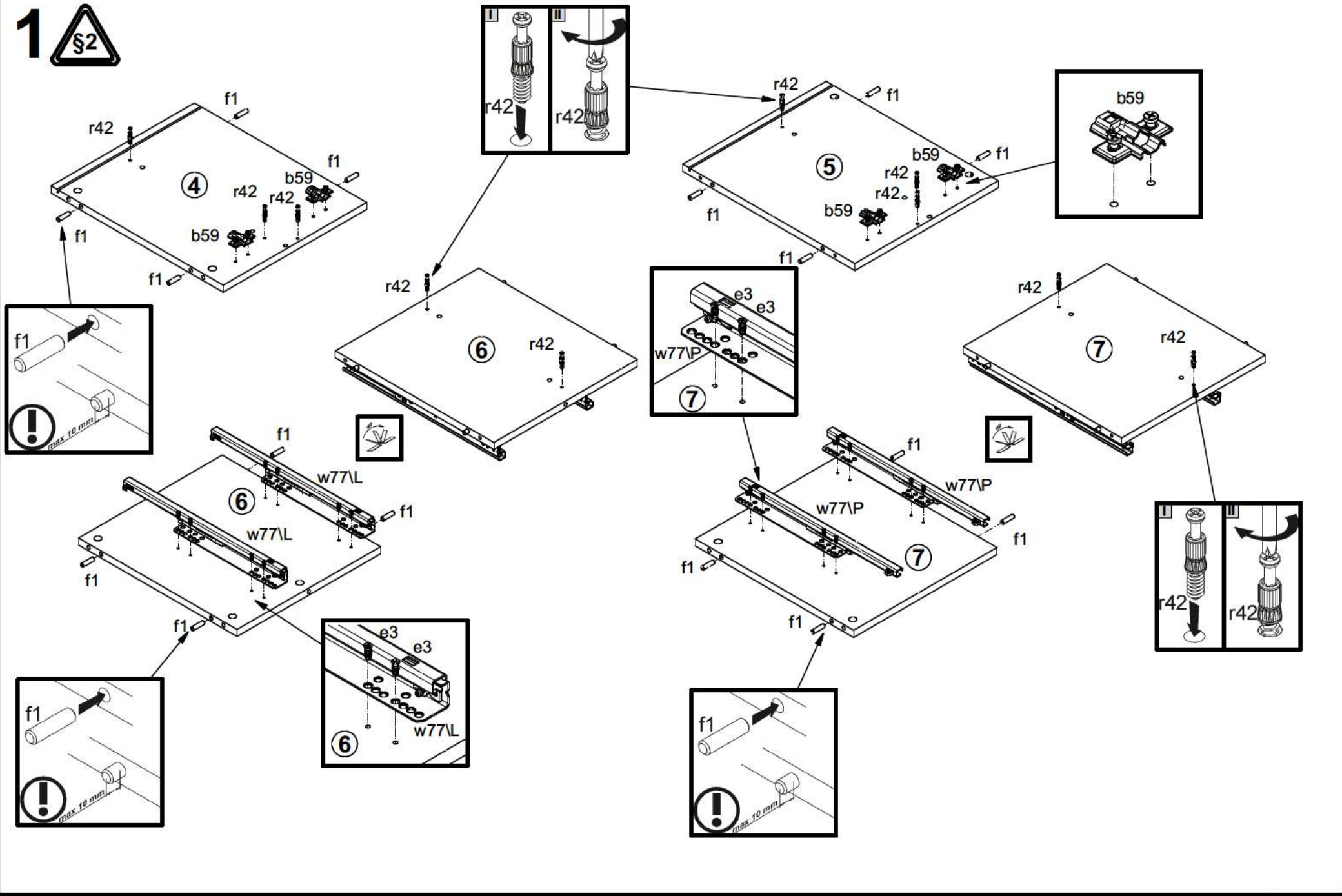


A	B	C (mm)		D
1	S205 012	403	496	2/2
2	S205 013	175	496	2/2
3	S205 014	175	496	2/2
4	S205 113	375	450	1/2
5	S205 114	375	450	1/2
6	S205 115	375	414	1/2
7	S205 116	375	414	1/2
8	S205 210	1500	450	1/2
9	S205 211	1500	450	1/2
10	S205 304	475	414	1/2
11	S205 505	400	105	1/2
12	S205 506	400	105	1/2
13	S205 507	444	91	1/2
14	S205 573	1467	70	1/2
15	S205 905	458	408	1/2
16	S205 906	1477	385	1/2

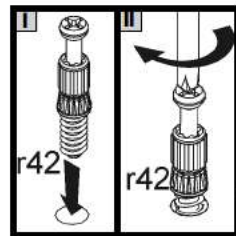
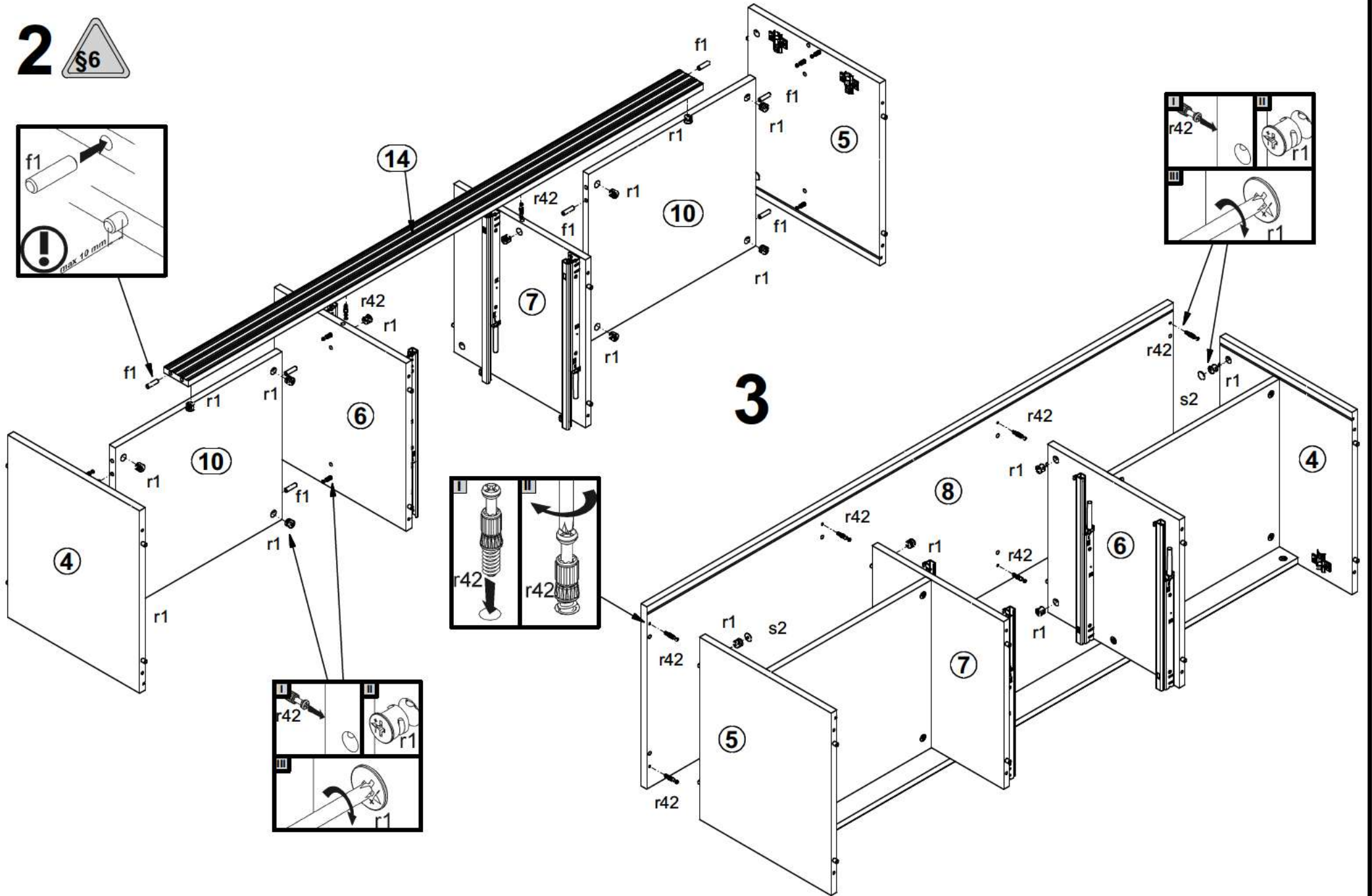
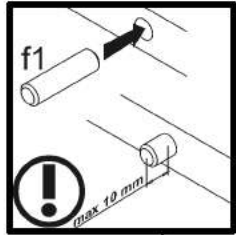


4x a102	4x b59	2x k84	4x k85	8x p51 ø3.5x15 mm	2x t33 400 mm	4x p25 ø3.5x16 mm	15x p38 ø3.5x16 mm	4x p55 ø2.9x16 mm	28x r1 ø15x12 mm #16	28x r42	12x s2 ø16
16x e1 ø7x50 mm	16x e3 ø6x13 mm	30x f1 ø8x30 mm	10x l1	14x l2	8x p6 ø4x35 mm	2x w77/L 400 mm	2x w77/P 400 mm	1x z1	1x n26/1	1x p17 ø5x60 mm	1x f35 ø10x50 mm

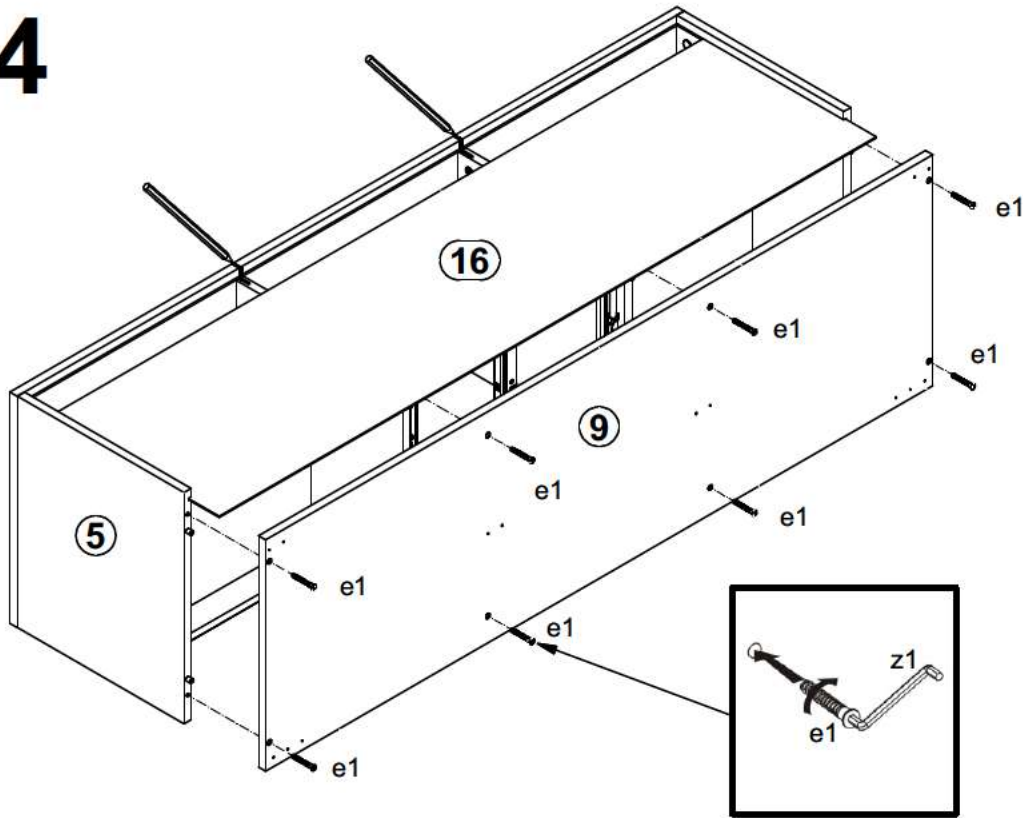
1 



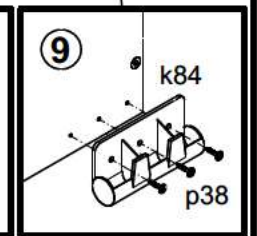
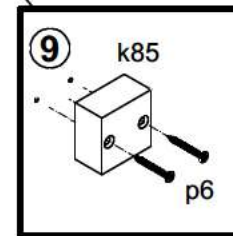
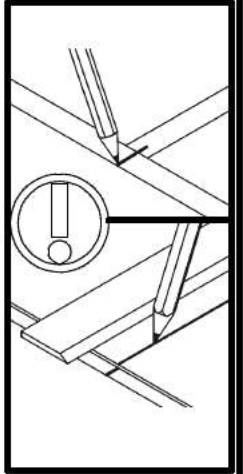
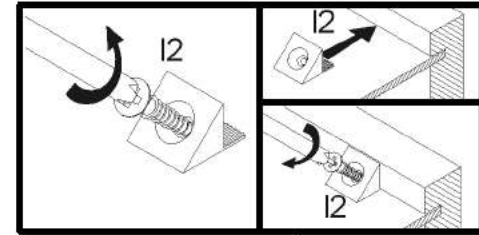
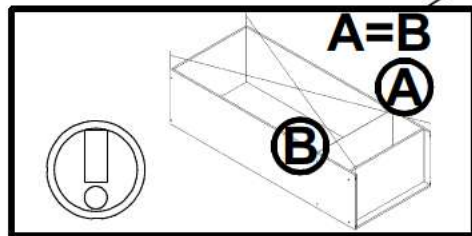
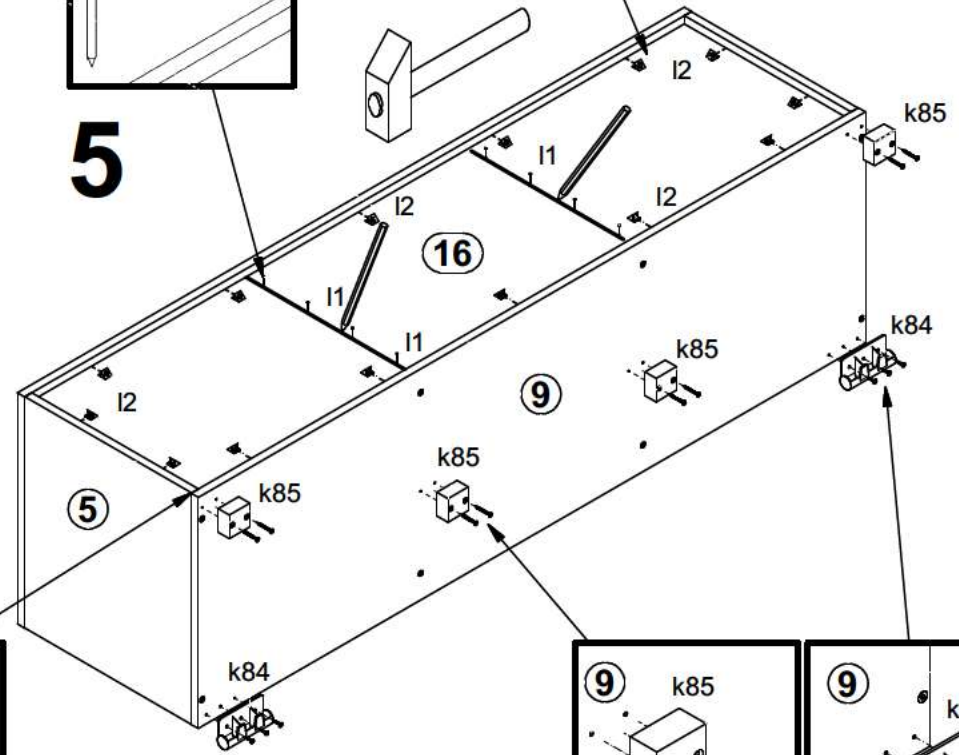
2 



4

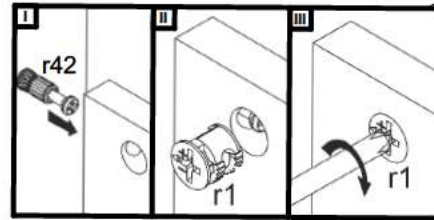
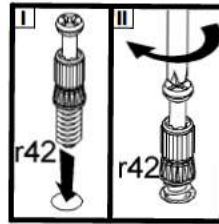
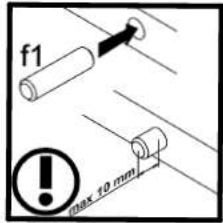
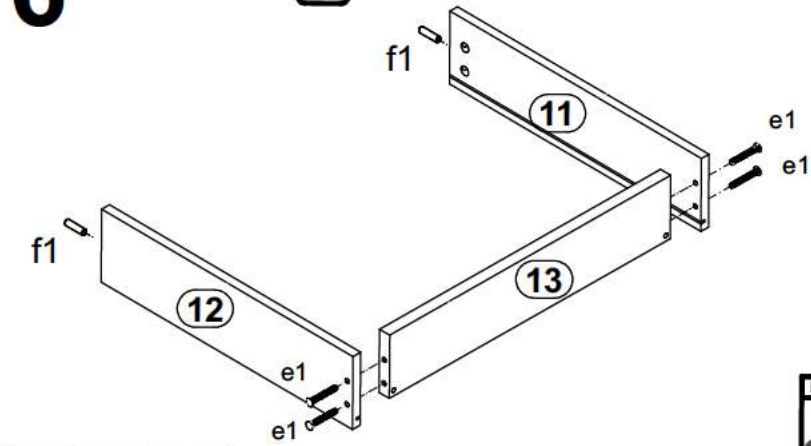


5

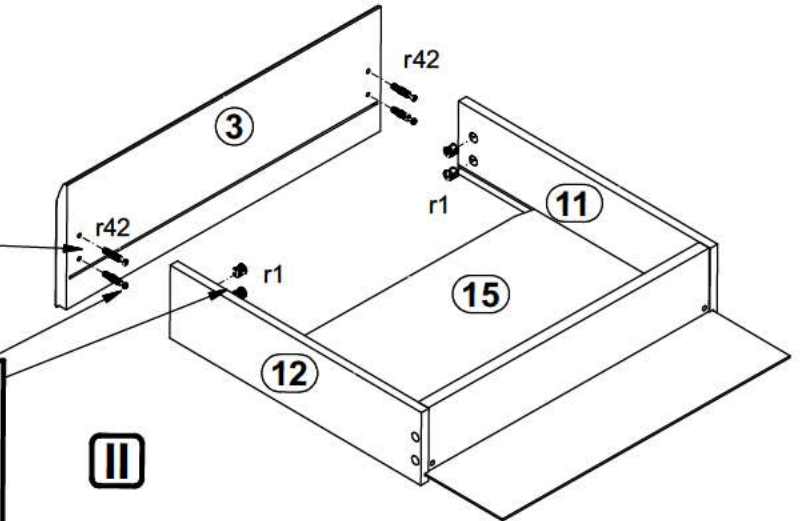


6

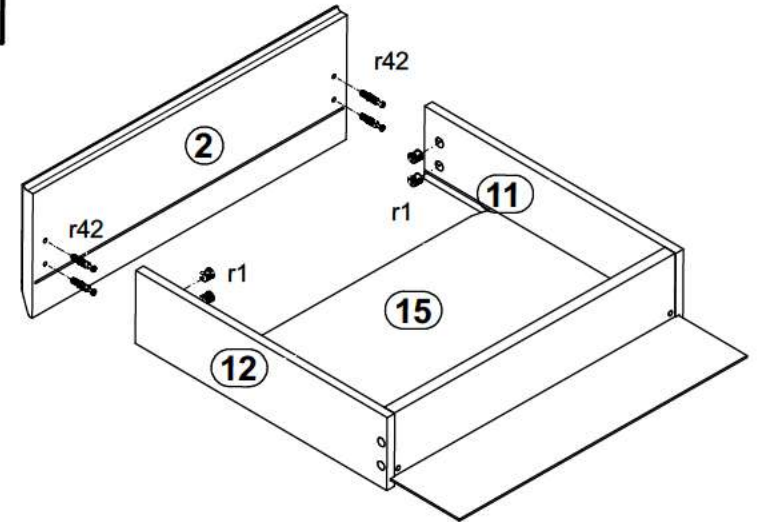
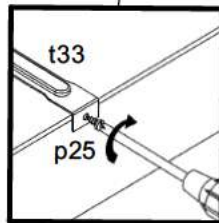
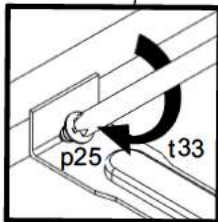
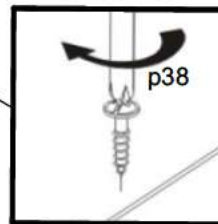
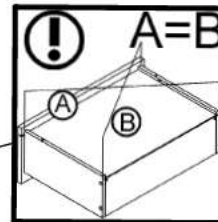
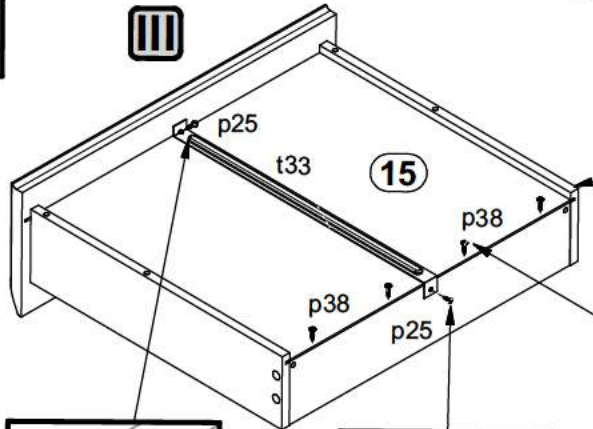
I



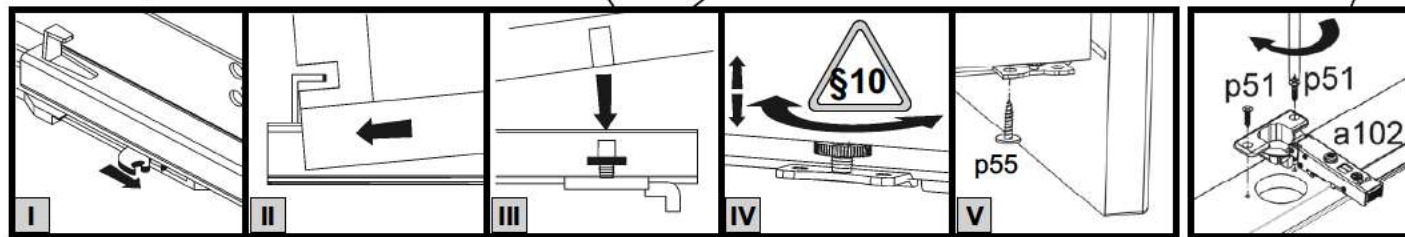
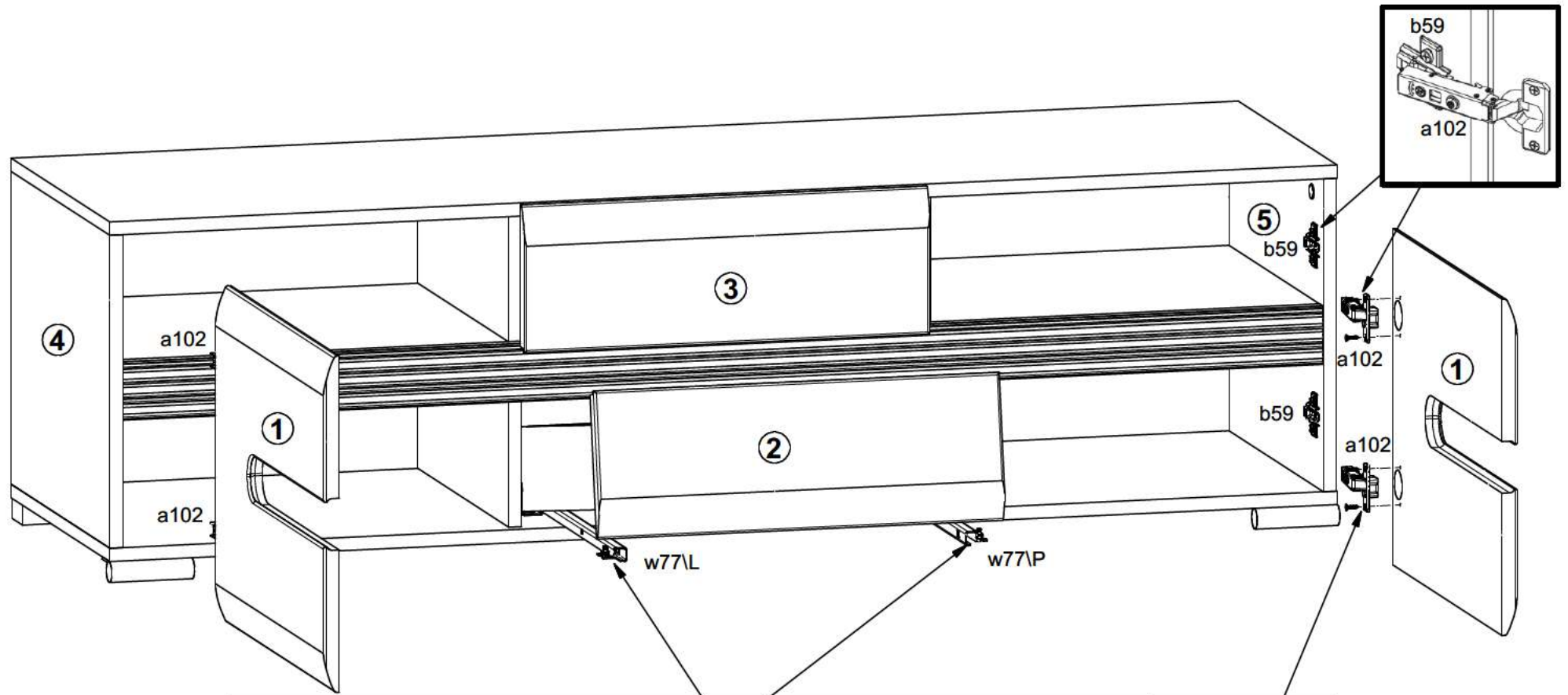
II



III



7



8

