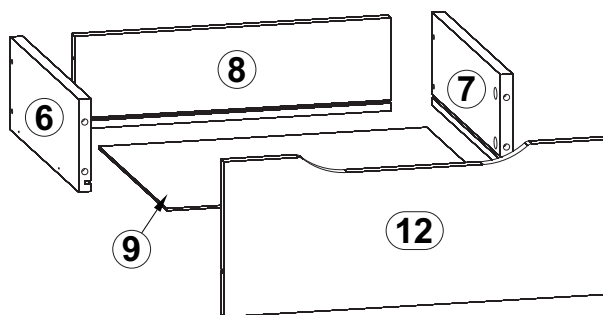
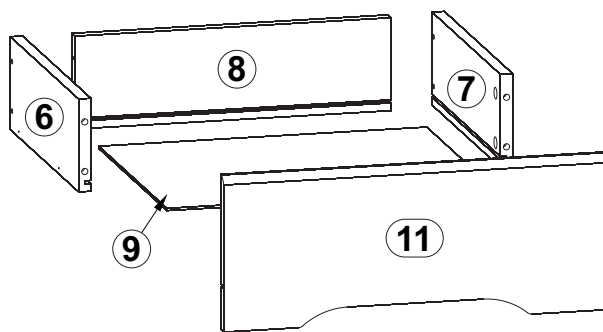
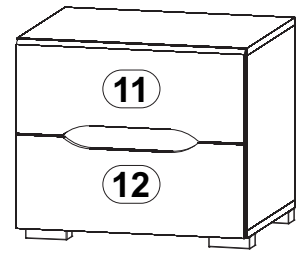
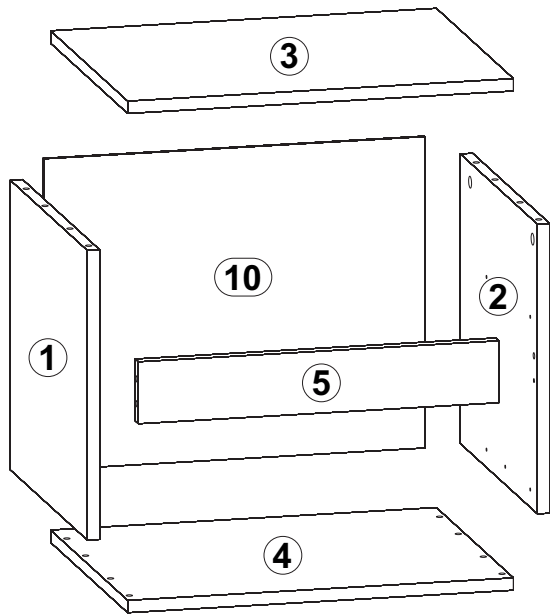
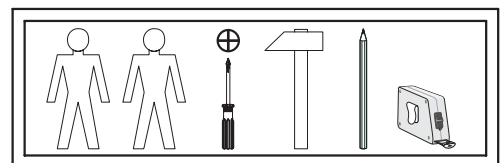


ЕЛЬПАСО / ЭЛЬПАССО Тумба приліжкова / Тумба прикرواتная КОМ2S

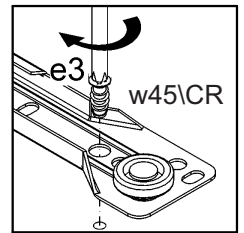
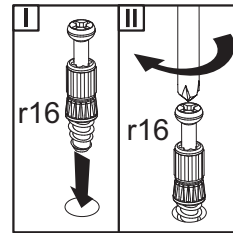
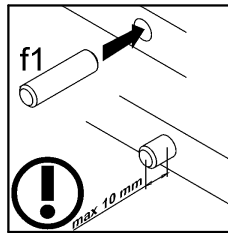
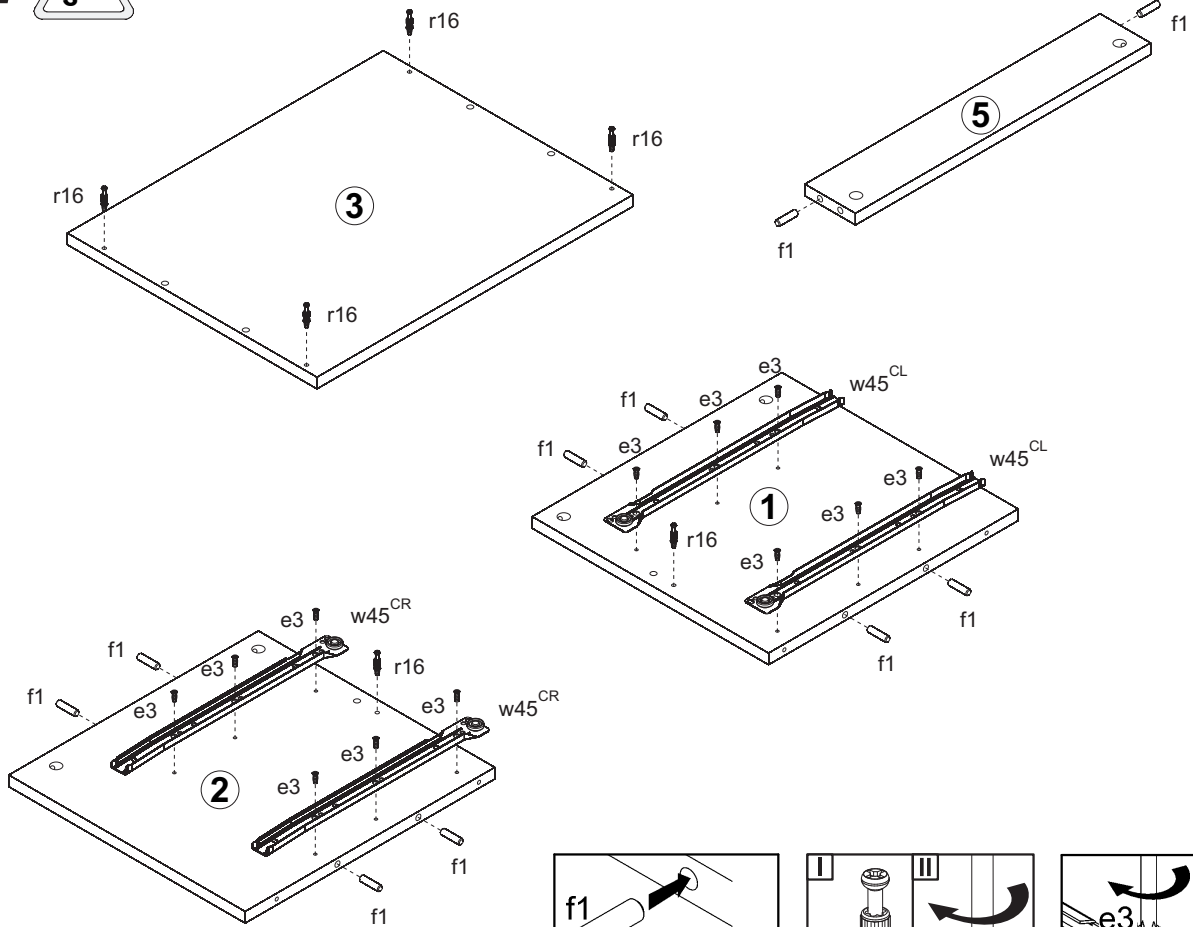


A	B	C	D	
1	S314-137	374	395	1/2
2	S314-138	374	395	1/2
3	S314-223	500	395	1/2
4	S314-224	500	395	1/2
5	S314-579	467	80	1/2
6	S314-551	350	120	1/2
7	S314-552	350	120	1/2
8	S314-578	410	120	1/2
9	S314-922	349	425	1/2
10	S314-923	400	494	1/2
11	S314-041	496	200	2/2
12	S314-042	496	200	2/2

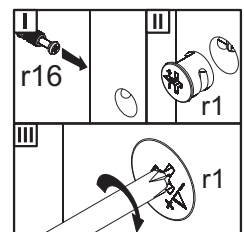
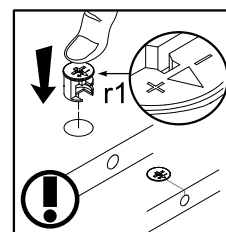
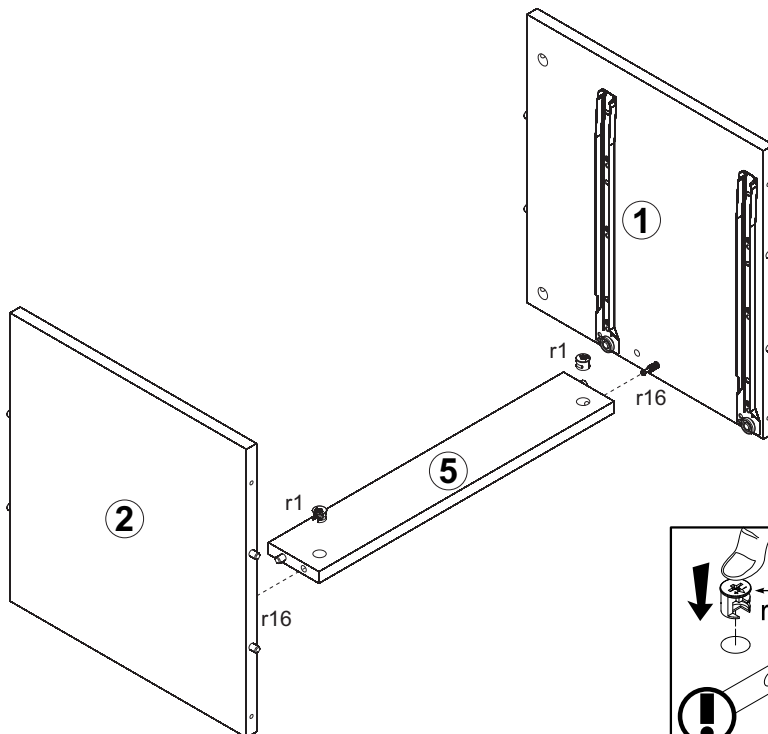


4x φ7x50 mm e1	12x φ6x13 mm e3	8x φ5x50 mm e32	10x φ8x30 mm f1	4x 84x40/25 mm k77	20x l1	8x φ4x25 mm p36	10x φ16 s2
8x φ3x12 mm p54	14x φ15x12 mm #16 r1	14x 20/9 r16	2x 350 mm w45^{CL}	2x 350 mm w45^{CR}	2x 350 mm w45^{DL}	2x 350 mm w45^{DR}	1x z1

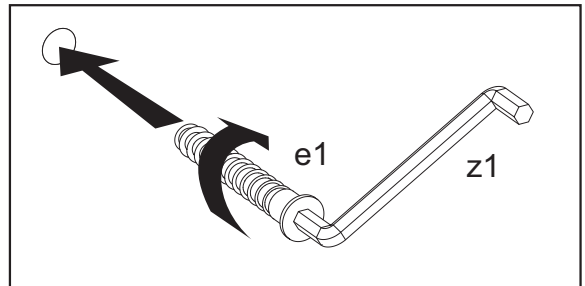
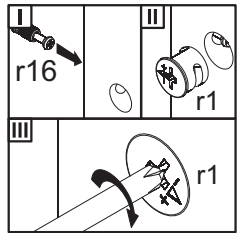
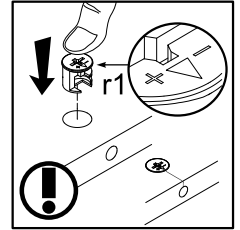
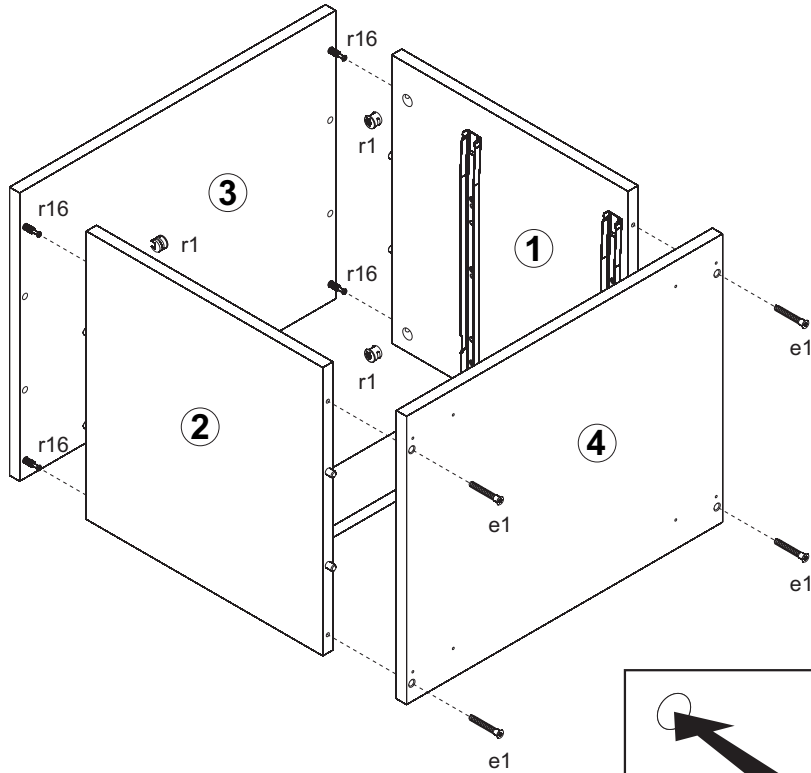
1



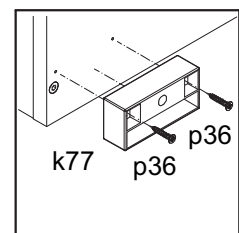
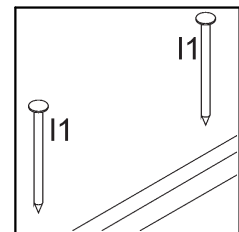
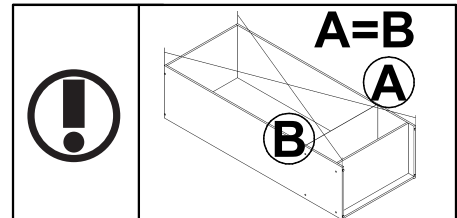
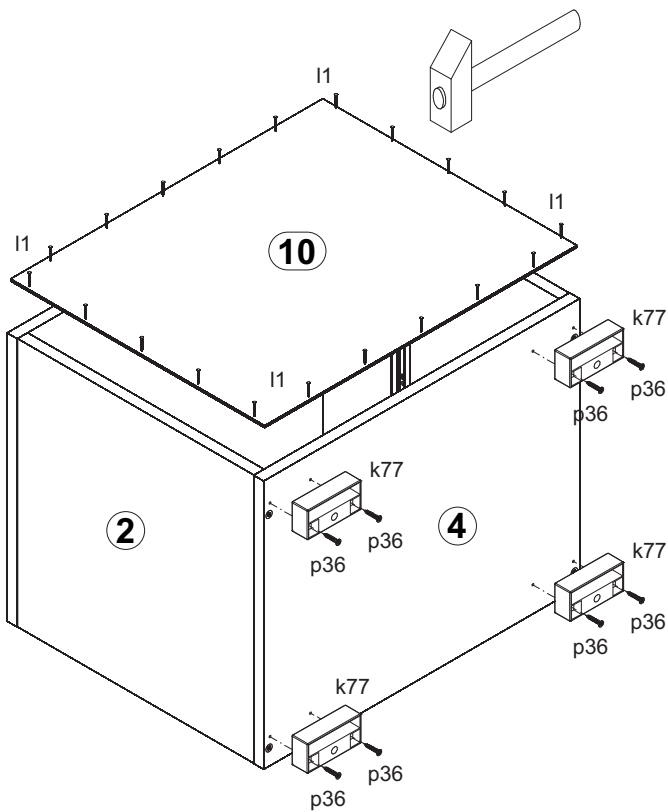
2



3



4



5

