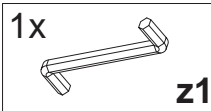
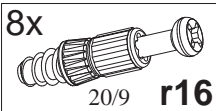
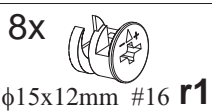
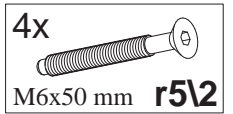
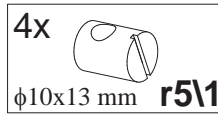
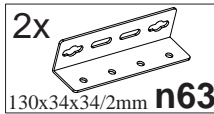
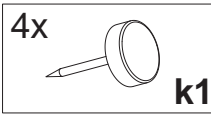
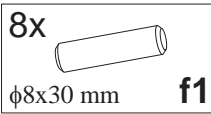
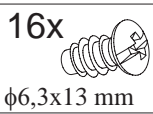
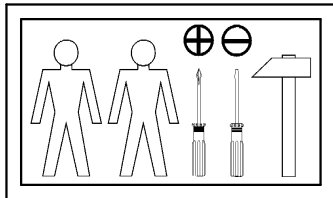
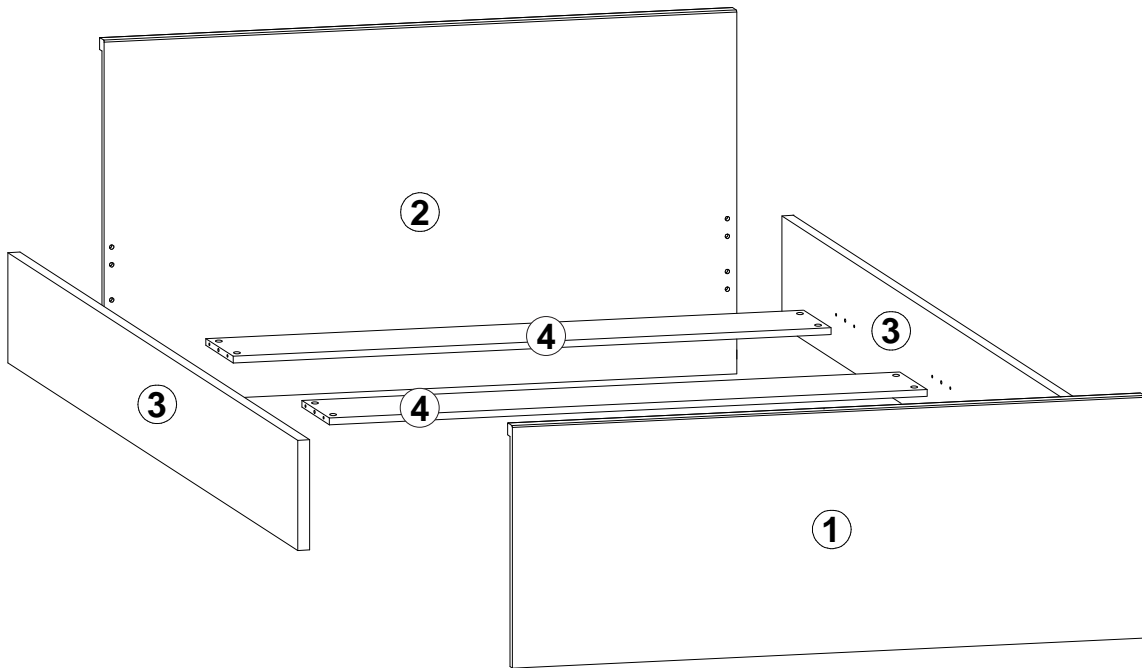
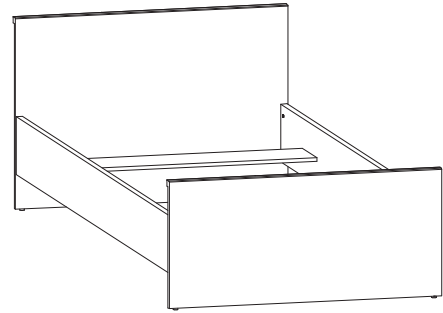
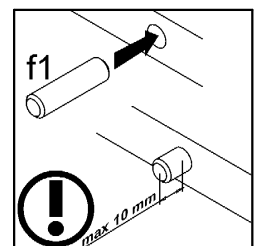
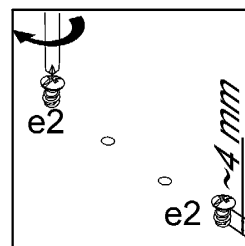
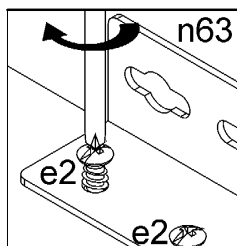
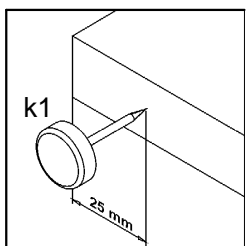
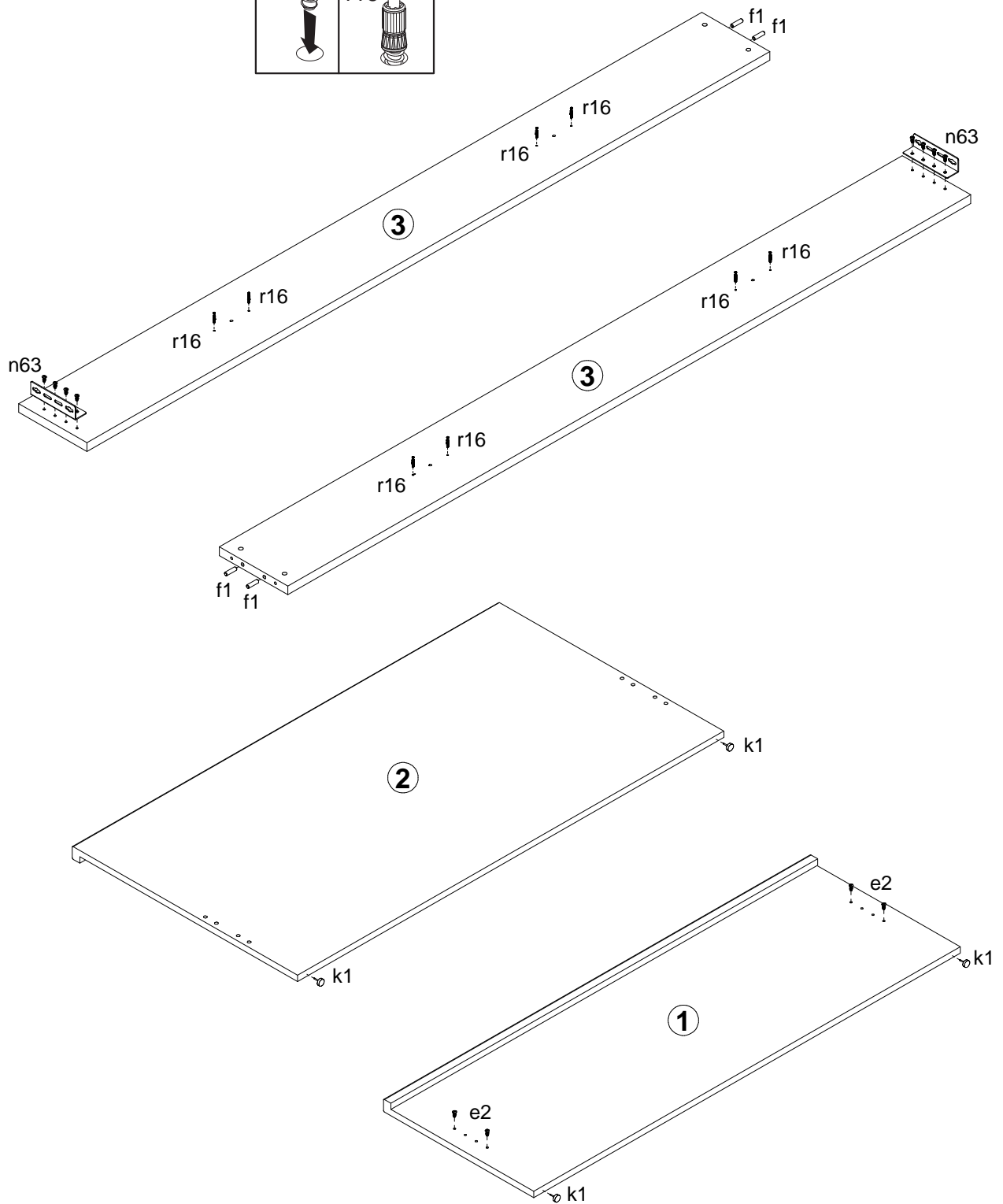
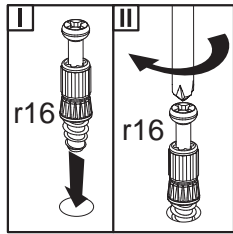


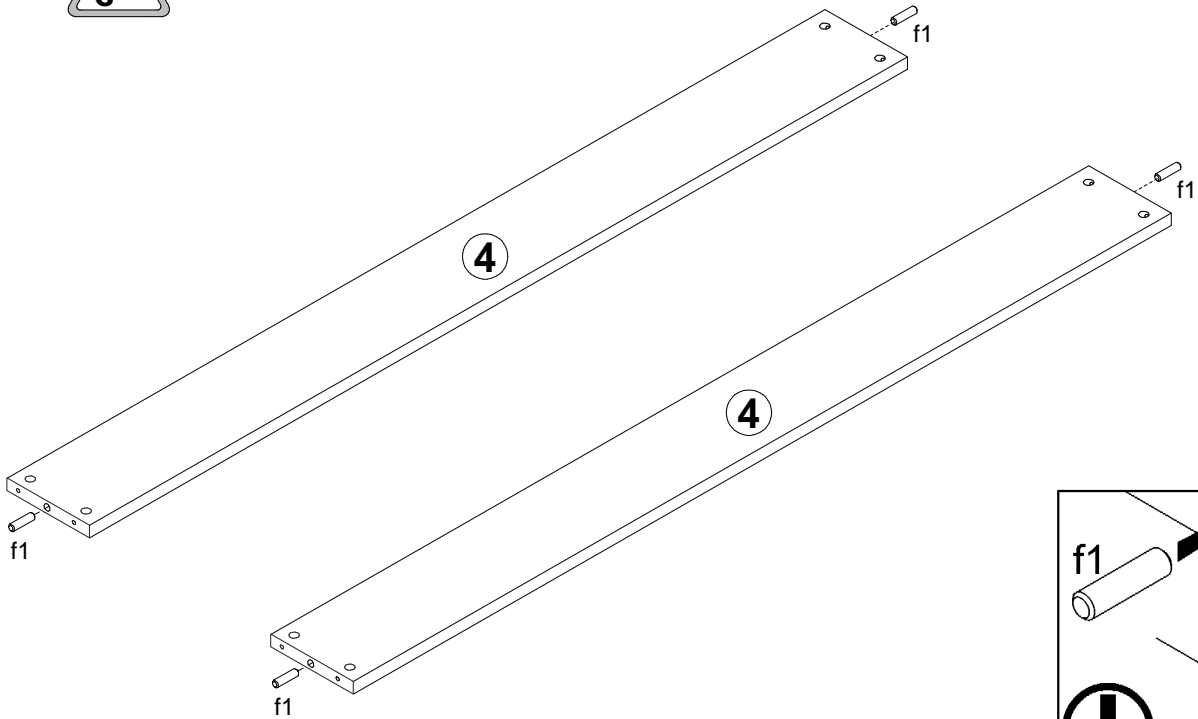
A	B	C	D	
1	S133-027	1253	440	1/2
2	S133-028	1253	660	1/2
3	S133-107	2000	250	2/2
4	S133-162	1203	200	2/2



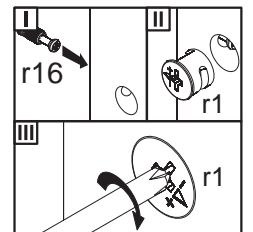
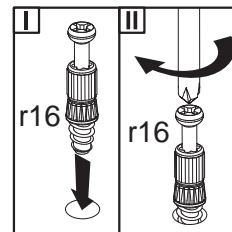
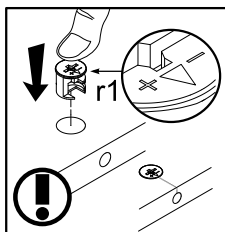
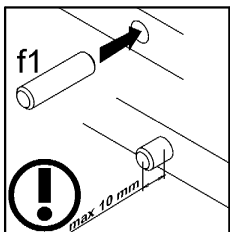
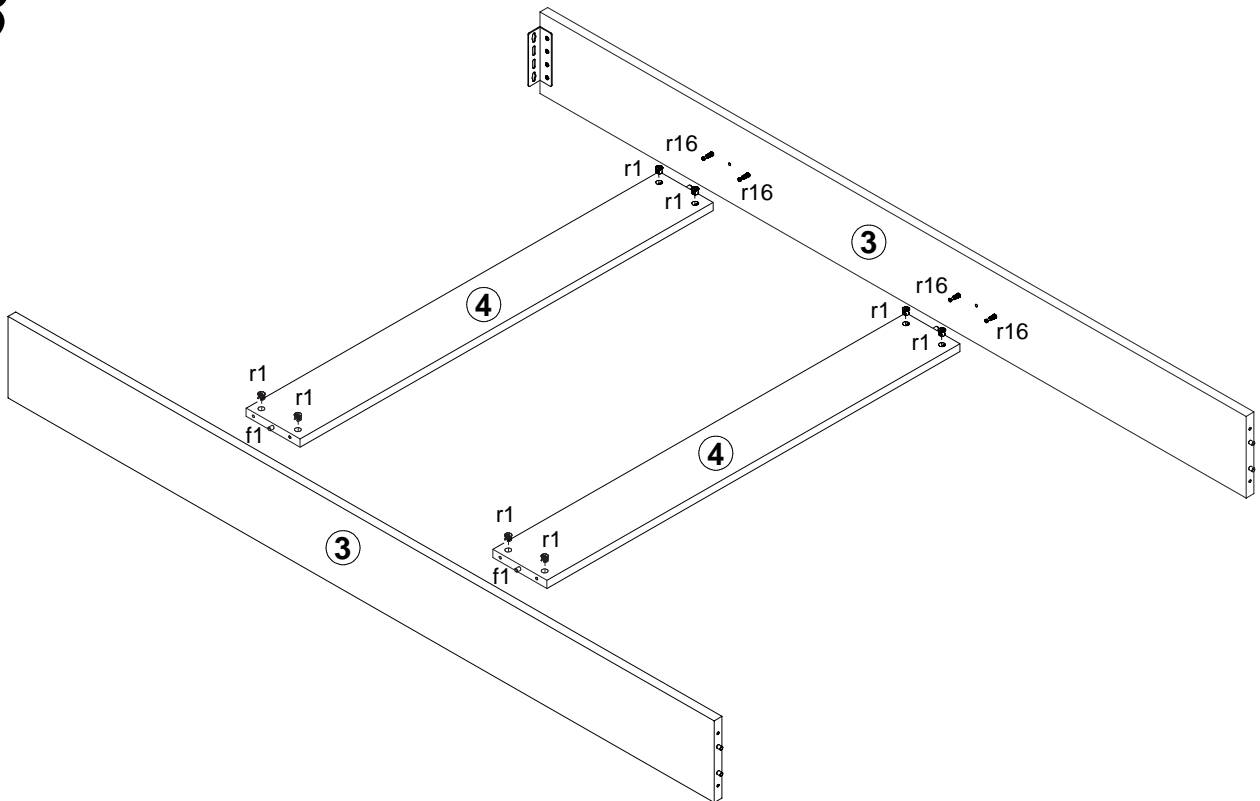
1 



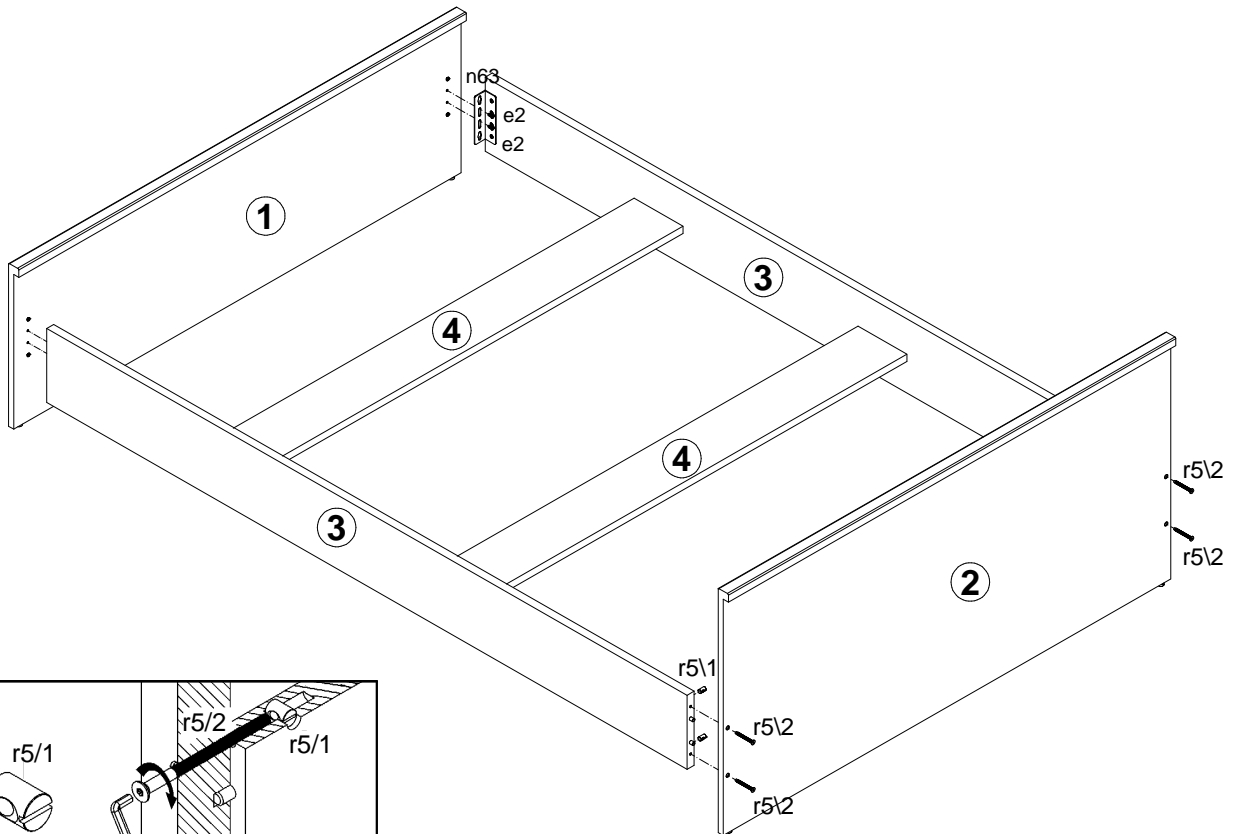
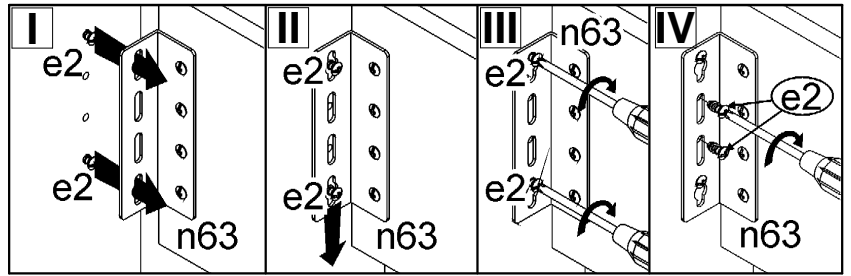
# 2



# 3



# 4



# 5

