



1 Instructions

1.1 General safety instructions

Risk of personal injury

- Keep children under eight years of age at a safe distance if they are not constantly supervised.
- Children must never play with the appliance.
- This appliance may be used by children aged at least 8 and by people of reduced physical, sensory or mental capacity, or lacking in experience in the use of electrical appliances, as long they are supervised or instructed by adults who are responsible for their safety.
- Never rest metallic objects such as knives, forks, spoons and lids on the appliance during use.
- The appliance must never be cleaned by unsupervised children.
- Have qualified personnel carry out installation and assistance interventions according to the standards in force.
- Do not modify this appliance.
- Do not insert pointed metal objects (cutlery or utensils) into the slots in the appliance.
- Do not try to repair the appliance yourself or without the intervention of a qualified technician.
- Do not place plastic containers or inflammable objects in the drawer.

Risk of damaging the appliance

- Do not use abrasive or corrosive

detergents (e.g. scouring powders, stain removers or metallic scourers).

- Do not seat on the appliance.
- Do not use steam jets to clean the appliance.

For this appliance

- Do not rest any weight or sit on the open drawer.
- Take care that no objects are stuck in the drawer.

1.2 Manufacturer liability

The manufacturer declines all liability for damage to persons or property caused by:

- Use of the appliance other than as envisaged;
- Non-observance of the user manual provisions;
- Tampering with any part of the appliance;
- Use of non-original spare parts.



Instructions

1.3 Appliance purpose

- This appliance is designed to be used as a storage drawer. Every other use is considered improper.

1.4 Disposal



This appliance must be disposed of separately from other waste (Directives 2002/95/EC, 2002/96/EC, 2003/108/EC). The appliance does not contain substances in quantities sufficient to be considered hazardous to health and the environment, in accordance with current European directives.

To dispose of the appliance:

- Deliver the appliance to the appropriate recycling centre for electrical and electronic equipment waste, or return it to the retailer when purchasing an equivalent product, on a one for one basis.

Our appliances are packed in non-polluting and recyclable materials.

- Deliver the packing materials to the appropriate recycling centre.



Plastic packaging Danger of suffocation

- Do not leave the packaging or any part of it unattended.
- Do not let children play with the packaging plastic bags.

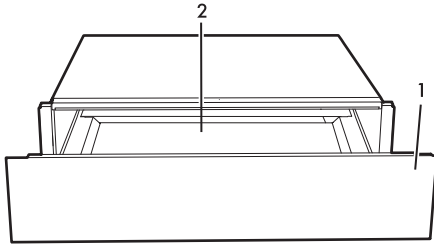
1.5 Identification plate

The identification plate bears the technical data, serial number and brand name of the appliance. Do not remove the identification plate for any reason.

Description and use

2 Description

2.1 General Description



1 Drawer

2 Non-slip base



The bottom of the drawer is lined with non-slip material to prevent its content from moving when the drawer is opened or closed.

Capacity



Improper use
Risk of damages to the appliance

- Load the drawer with a maximum of 15 kg.

3 Use

3.1 Instructions



Incorrect use
Danger of fire or explosion

- Do not use or leave flammable materials close to or inside the drawer.

3.2 First use

1. Remove any protective film from the outside or inside of the appliance.
2. Remove any labels (apart from the identification label).
3. Clean the appliance using a damp cloth.
4. Dry the appliance thoroughly.



4 Cleaning and maintenance

4.1 Instructions



Improper use
Risk of damage to surfaces

- Do not use steam jets to clean the appliance.
- Do not use detergents which are abrasive, corrosive or which contain chlorine, ammonia or bleach (e.g. scouring powders, stain removers etc.).
- Do not use rough or abrasive materials or sharp metal scrapers.

4.2 Cleaning the appliance

Cleaning the drawer

5. Remove the non-slip base.
6. Place some non-abrasive detergent on a damp cloth and wipe down the surfaces.
7. Rinse thoroughly.
8. Dry with a soft cloth or a microfibre cloth.

Cleaning the non-slip base

1. Remove the non-slip base.
2. Clean it with warm water and non-abrasive detergent. non abrasivo.
3. Dry thoroughly with a soft cloth or a microfibre cloth.
4. Replace the non-slip base in the drawer when perfectly dry.

Installation

5 Installation

5.1 Positioning



Heavy appliance
Danger of crushing injuries

- Position the appliance into the cabinet cutout with the help of a second person.

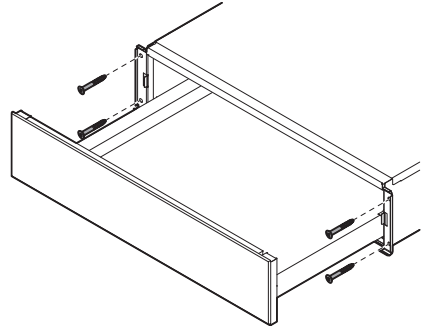


Pressure on the open drawer
Risk of damage to the appliance

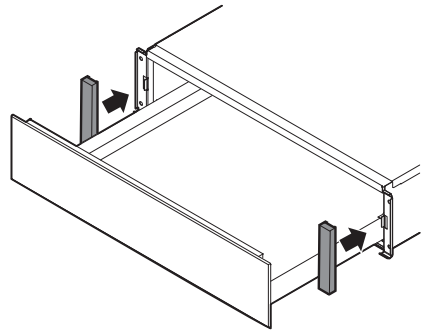
- Never use the open drawer to lever the appliance into place when fitting.
- Avoid exerting too much pressure on the drawer when open.

Installing the appliance

5. Centre and line up the drawer in the opening. Ensure that the frame is perfectly flush with the furniture unit.
6. Open the drawer.
7. Secure the appliance to the piece of furniture using screws.



4. Position the side covers.



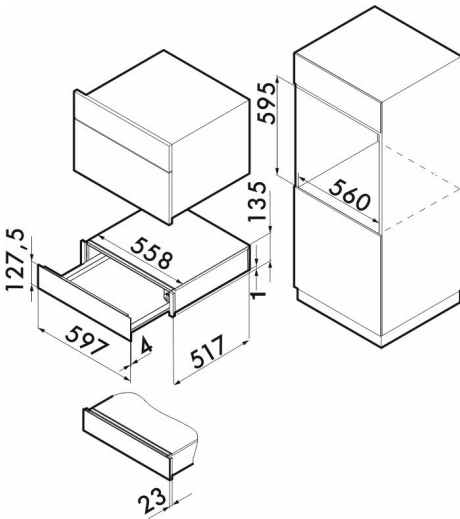
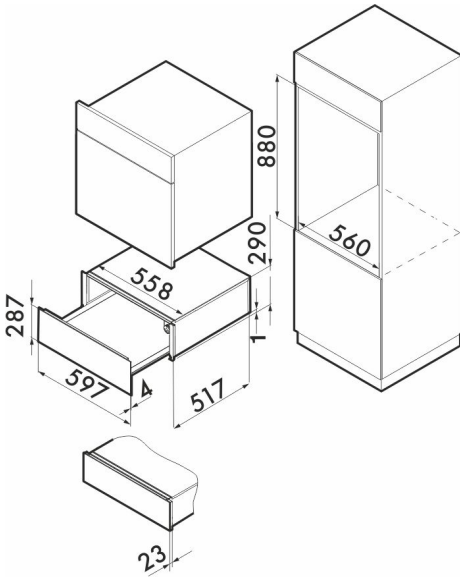
General instructions

- Position the drawer on a stable shelf.
- The supporting shelf must have a rear opening of 20 mm.
- The unit in which the drawer is installed must not have a back panel.



Installation

Appliance dimensions (mm)



Follow the instructions provided in the relative use and installation booklet in order to install the appliance that can be combined with the drawer.