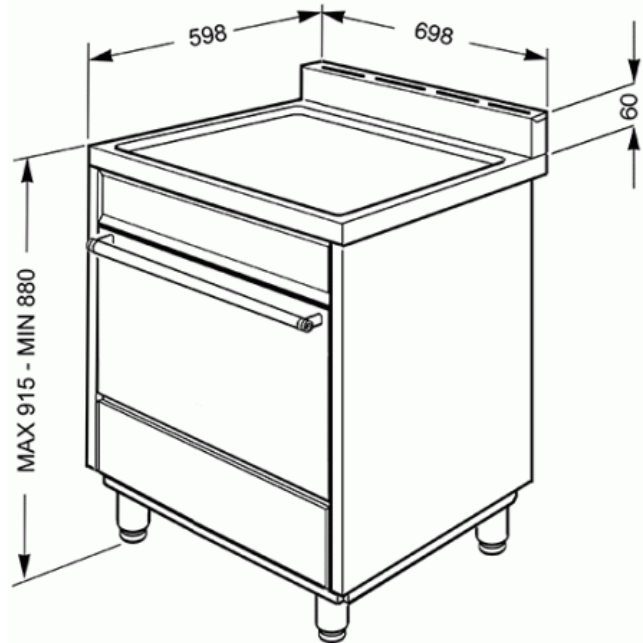


classica Aesthetic

EAN13: 8017709227296

Cooker, 70x60 cm, Classic, Stainless steel, Hob type: Gas, Type of main oven: Thermo-ventilated, A



TYPE



• Product Family: Cooker • Cooker size: 70x60 cm • Energy type: Gas • Heat source first cavity: Electric • Hob type: Gas • Type of main oven: Thermo-ventilated • Cleaning system: Vapor Clean

AESTHETICS



• Design: Square design Design • Aesthetics: Classic • Colour: Stainless steel • Material: Stainless steel • Door: With 2 horizontal strips • Handle: Smeg Classic • Handle Colour: Brushed stainless steel • Upstand: yes • Type of pan stands: Cast Iron • Command panel finish: Finger friendly stainless steel • Control knobs: Smeg USA • No. of controls: 8 • Controls colour: Soft touch black • Glass type: Black • Feet: Silver • Storage compartment: Door

PROGRAMS / FUNCTIONS



Cleaning functions



• No. of functions: 8

OPTIONS MAIN OVEN

• End of cooking acoustic alarm: Yes • Minimum Temperature: 50 °C • Maximum temperature: 260 °C

HOB TECHNICAL FEATURES



• Total no. of cook zones: 5 • 1st zone position: Front left • 2nd zone position: Rear left • 3rd zone position: Central • 4th zone position: Rear right • 5th zone position: Front right • 1st zone type: Gas - AUX • 2nd zone type: Gas - Semi Rapid • 3rd zone type: Gas - UR • 4th zone type: Gas - Semi Rapid • 5th zone type: Gas - AUX • 1st zone power: 1000 W • 2nd zone power: 1800 W • 3rd zone power: 4000 W • 4th zone power: 1800 W • 5th zone power: 1000 W • Type of gas burners: Standard • Automatic electronic ignition: Yes • Burner caps: Matt black enamelled • Gas safety valves: Yes

MAIN OVEN TECHNICAL FEATURES



• Net volume 1st cavity: 70 litres • Gross volume, 1st cavity: 79 litres • Cavity material: Ever Clean enamel • No. of shelves: 5 • Type of shelves: Metal racks • No. of lights: 1 • Light type: Halogen • Light Power: 40 W • Fan number: 1 • Cooking time setting: Minute minder • Light when oven door is open: Yes • Door opening: Flap down • Removable door: Yes • Full glass inner door: Yes • Removable inner door: Yes • Total no. of door glasses: 3 • No. of thermo-reflective door glasses: 1 • Safety Thermostat: Yes • Cooling system: Tangential • Grill type: Electric • Grill element: 1700 W • Large grill - Power: 2700 W • Temperature control: Electro-mechanical • Lower heating element power: 1200 W • Upper heating element - Power: 1000 W • Circular heating element - Power: 2000 W

PERFORMANCE / ENERGY LABEL

A

• Energy efficiency class first cavity: A • Energy consumption forced air convection (kWh) first cavity: 0.8 kWh • Energy consumption conventional first cavity (kWh): 0.99 kWh

ELECTRICAL CONNECTION

• Electrical connection rating: 3000 W • Current: 13 Amp • Voltage: 220-240 V • Frequency: 50/60 Hz

GAS CONNECTION

• Gas Type: G20 Natural gas • Gas connection rating (W): 9600 W

LOGISTIC INFORMATION

• Dimensions of the product HxWxD (mm): 900x700x600

ACCESSORIES

Accessories Included

• Other gas nozzles included: G30 LPG liquid gas

Accessories included for Main Oven & Hob

• Oven grid with back stop: 2 • 40mm deep tray: 1

OPTIONAL

• Enamelled tray, 20mm deep: BN620-1 • Enamelled tray, 40mm deep: BN640 • Glass tray and stainless steel grid, 40mm deep: BVG • Partially extractable telescopic guides (1 level) for ovens with metal frames. Length: 355.5 mm, extraction: 285 mm. Material: Stainless steel AISI 430 polished.: GT1P-2 • Totally extractable telescopic guides (1 level) for ovens with metal frames. Length: 355.5 mm, extraction: 418.5 mm. Material: Stainless steel AISI 430 polished. : GT1T-2 • Pizza shovel with fold away handle width: 315mm length : 325mm: PALPZ • Refractory pizza stone without handles. Squared shaped stone: L42 x H1,8 x D37,5 cm. Suitable also for gas ovens, to be put on the griddle. : PPR2 • SFLK1 • Splashback, 70x75 cm, stainless steel, suitable for Master and Sinfonia cookers: KITC7X • Height extension feet (950 mm), stainless steel, suitable for Master, Sinfonia and Concerto cookers: KITPAX • Height reduction feet (850 mm): KITPBX