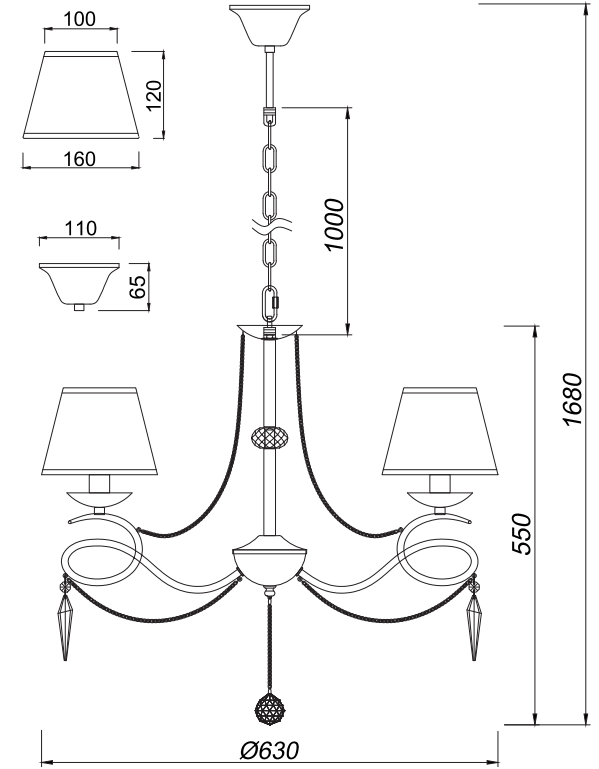
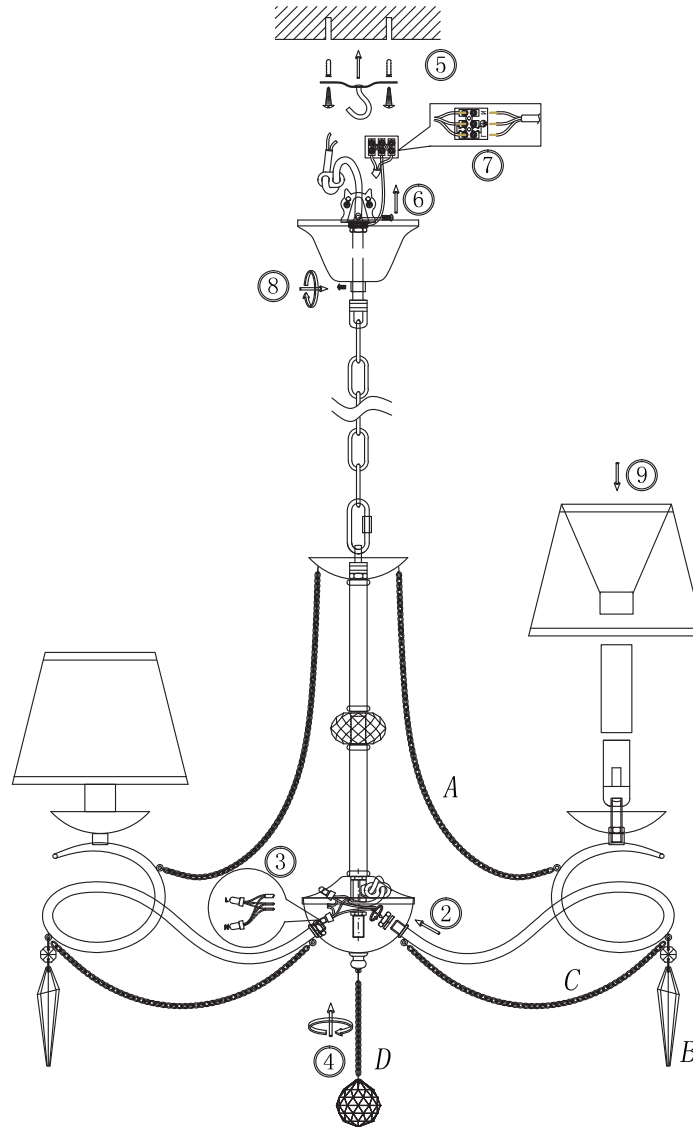
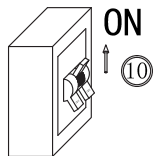
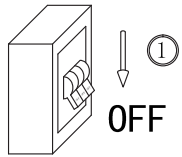




**FREYA**  
TRADITION OF QUALITY

# INSTRUCTION

**MODEL: FR2909-PL-05-CH**



5 X E14 (40W)

FREYA-LIGHT.COM