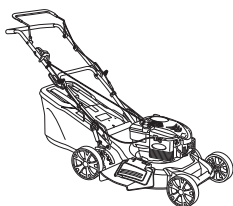
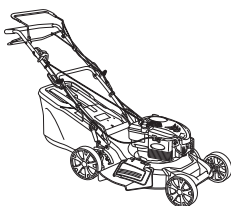




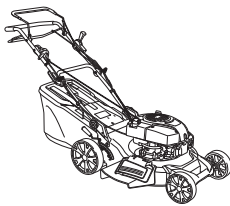
GB	Petrol Lawn Mower	Original instruction manual
F	Tondeuse Thermique	Manuel d'instructions d'origine
D	Benzin-Rasenmäher	Original-Bedienungsanleitung
I	Rasaerba con motore a benzina	Manuale di istruzioni originale
NL	Grasmaaier met benzinemotor	Oorspronkelijke gebruiksaanwijzing
E	Cortadora de Césped a Gasolina	Manual de instrucciones original
P	Cortador de Grama a Gasolina	Manual de instruções original
DK	Benzinplæneklipper	Original brugsanvisning
GR	Βενζινοκίνητο Χλοοκοπτικό	Πρωτότυπο εγχειρίδιο οδηγιών
TR	Benzinli Çim Biçme Makinesi	Orijinal kullanım kılavuzu
S	Bensindriven gräsklippare	Originalbruksanvisning
N	Bensindrevet gressklipper	Original bruksanvisning
FIN	Bensiinikäyttöinen ruohonleikkuri	Alkuperäinen käyttöohje
LV	Benzīna zāles pļaujmašīna	Orģinālā lietošanas rokasgrāmata
LT	Benzininė žoliapjovė	Originali naudojimo instrukcija
EE	Bensiinimootoriga muruniiduk	Originaalne kasutusjuhend
PL	Spalinowa kosiarka do trawy	Oryginalna instrukcja obsługi
HU	Benzinmotoros fűnyíró	Eredeti használati útmutató
SK	Benzinová kosačka	Pôvodný návod na obsluhu
CZ	Benzinová sekačka na trávu	Originální návod k obsluze
RO	Mașină de tuns iarba pe bază de benzină	Manual de instrucțiuni original
RUS	Бензозагонокосилка	Оригинальное руководство по эксплуатации
UA	Бензинова газонокосарка	Оригинальні інструкції з експлуатації



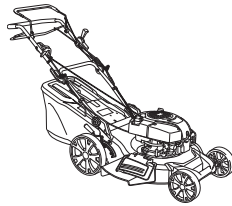
PLM4630



PLM4631

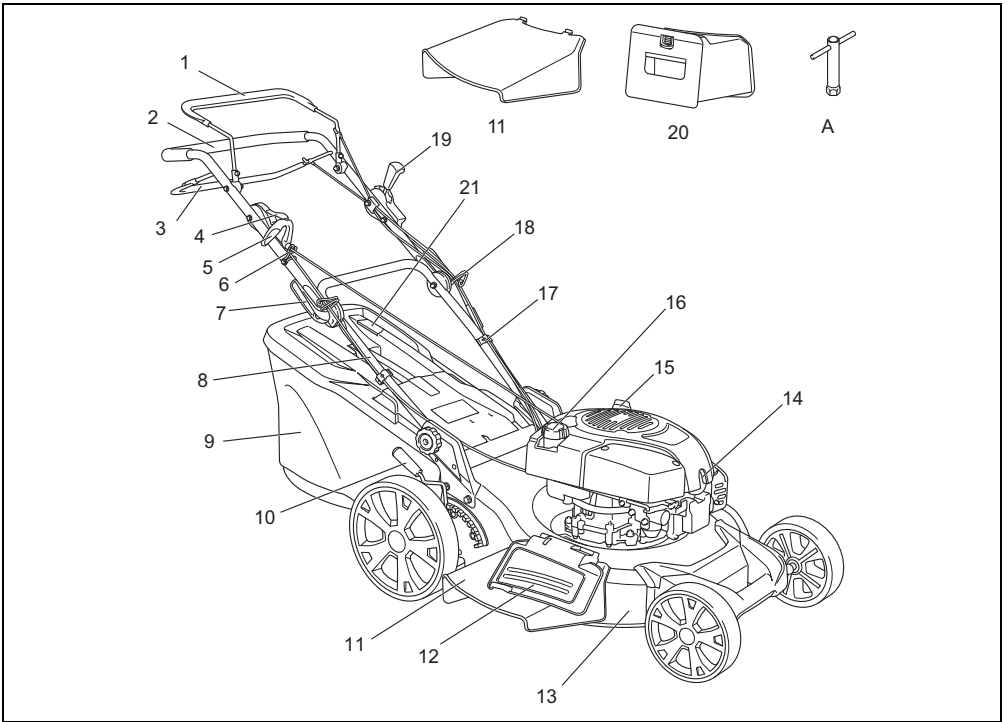


PLM4632

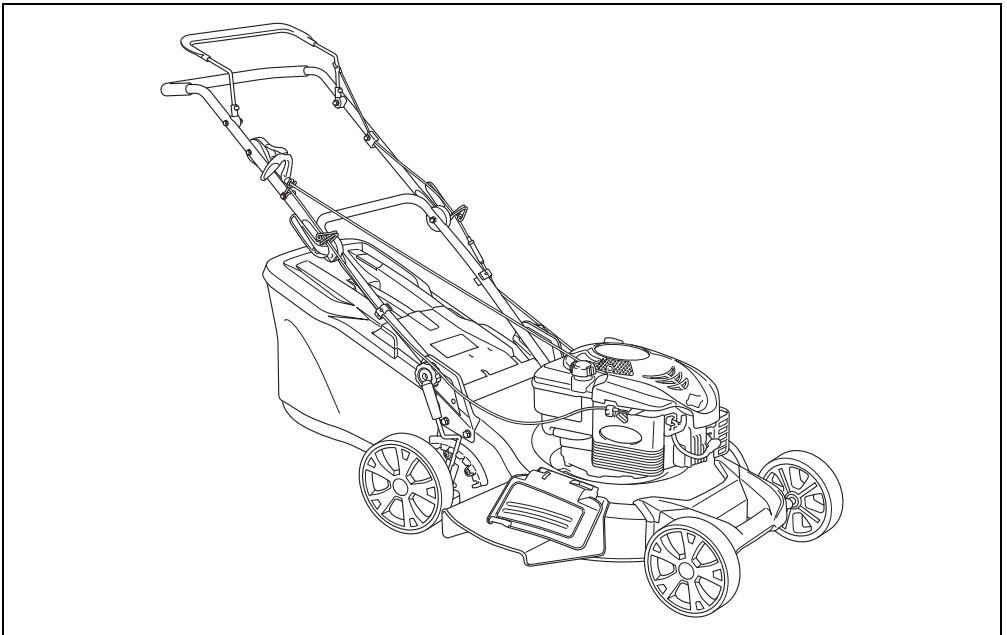


PLM5130

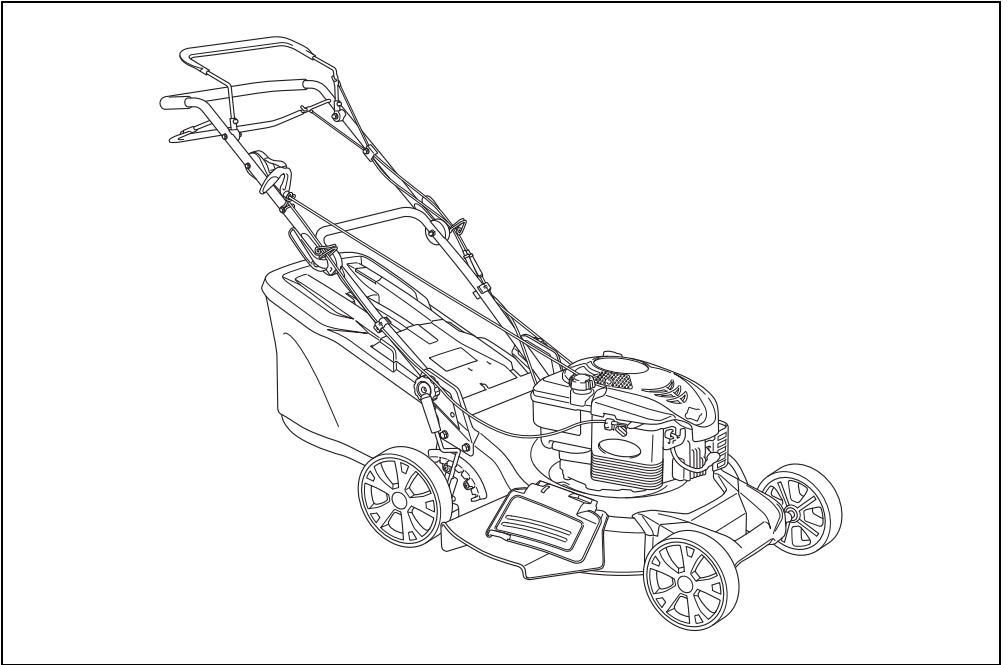




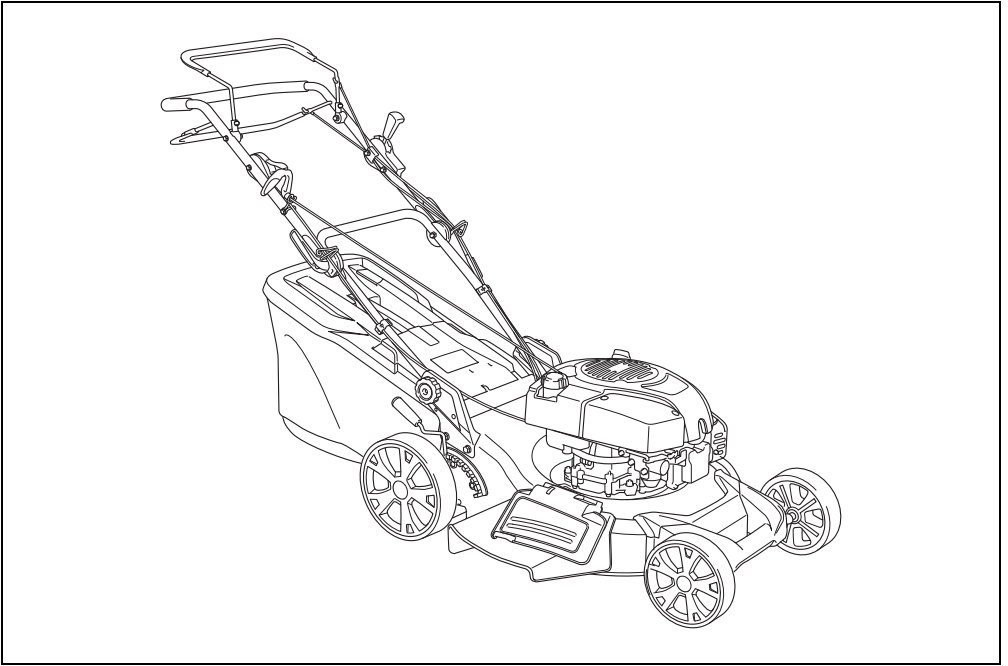
1 PLM5130



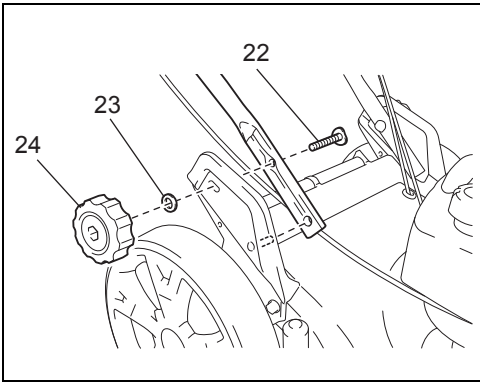
2 PLM4630



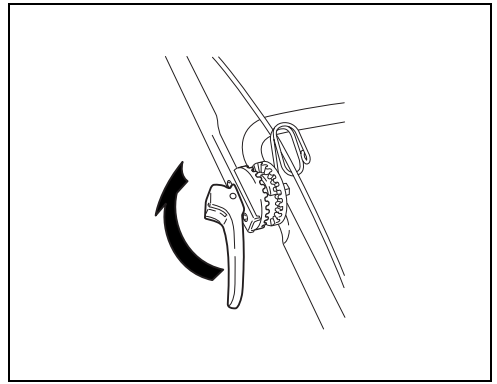
3 PLM4631



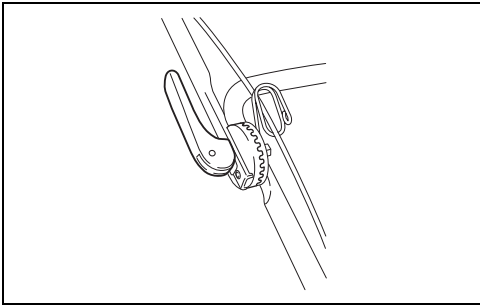
4 PLM4632



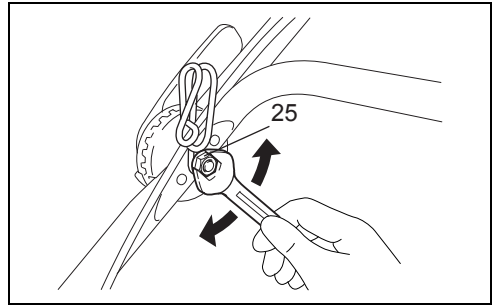
5



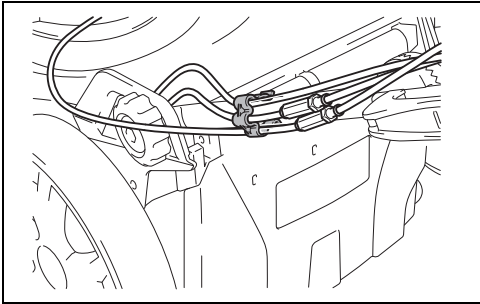
6



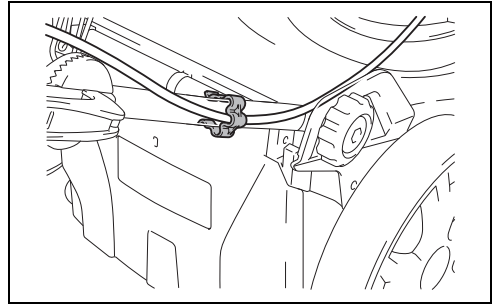
7



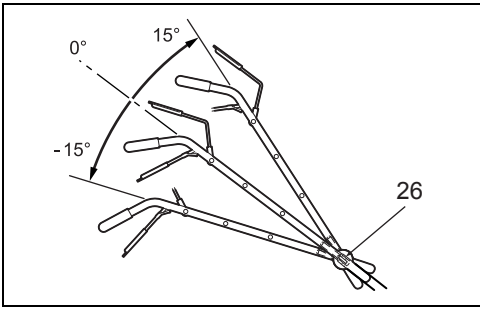
8



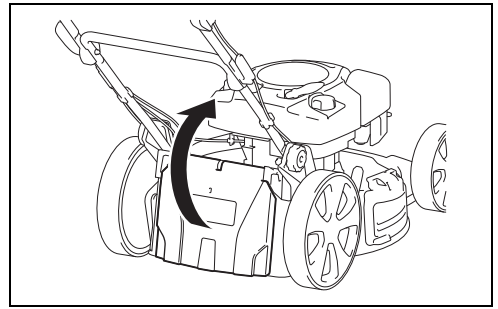
9



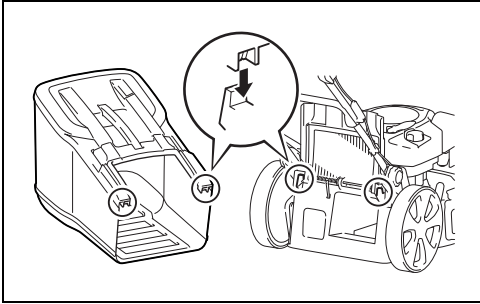
10



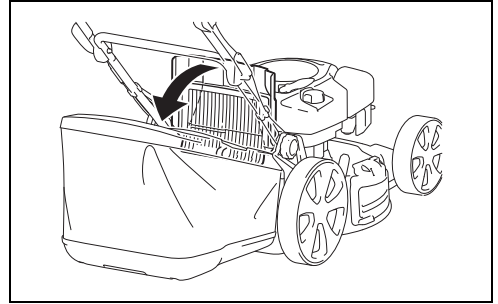
11



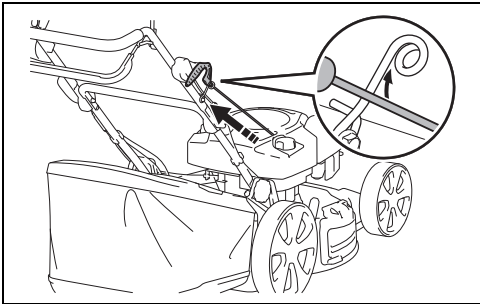
12



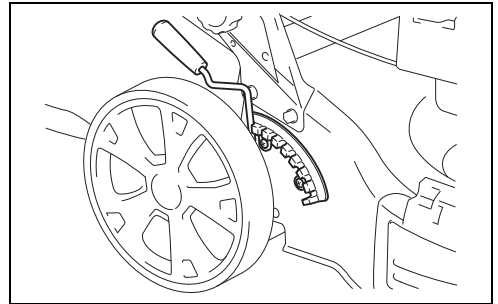
13



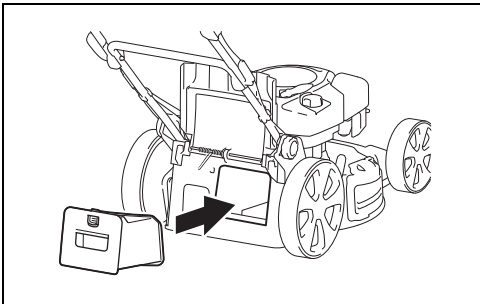
14



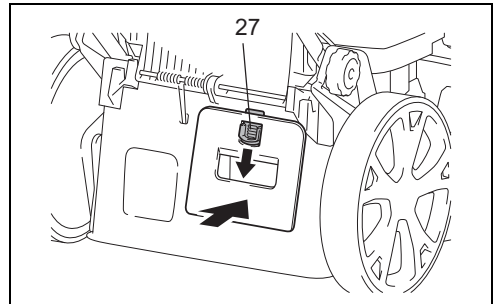
15



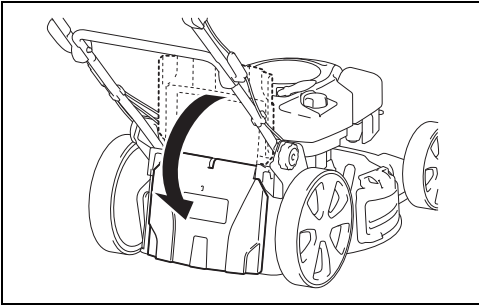
16



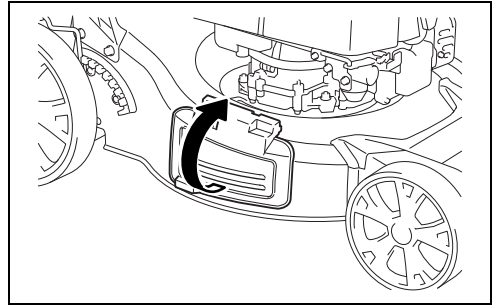
17



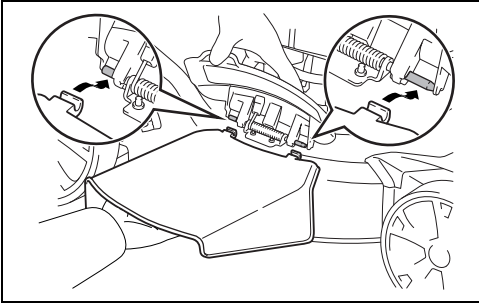
18



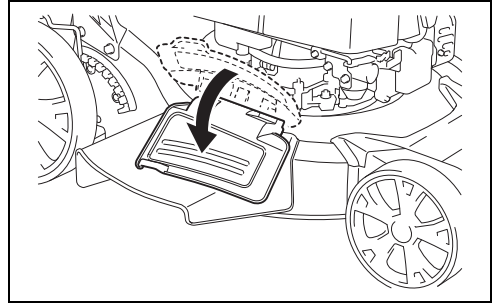
19



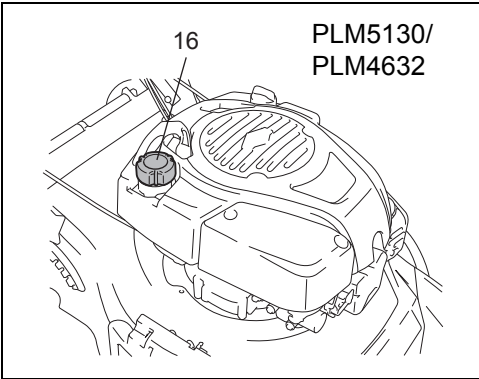
20



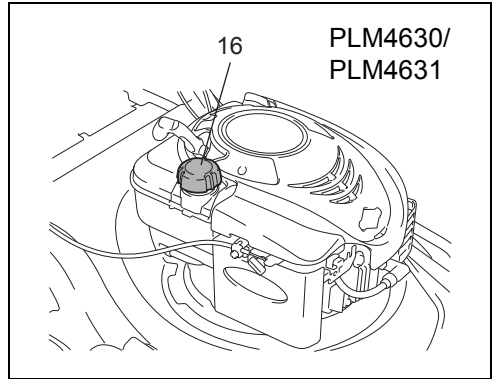
21



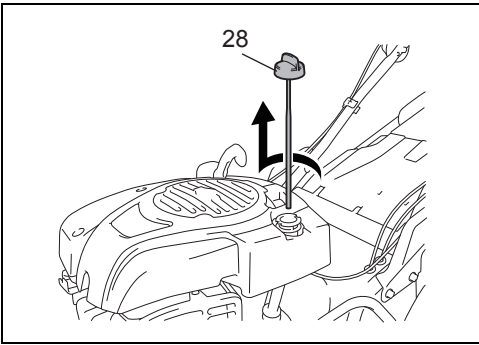
22



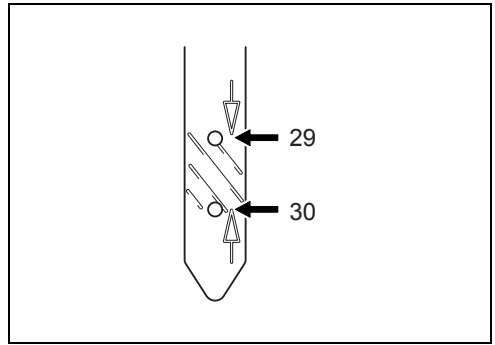
23



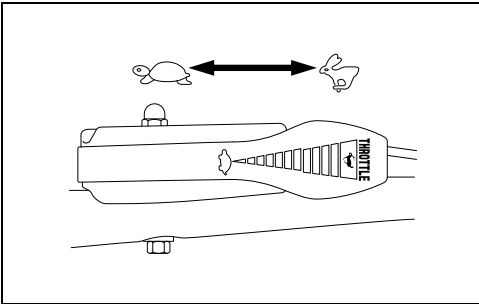
24



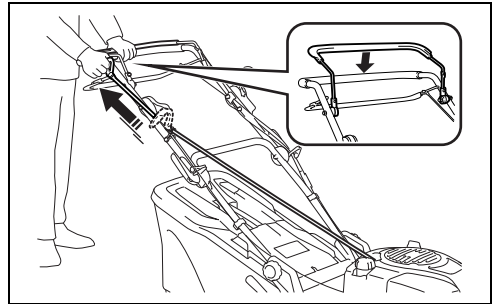
25



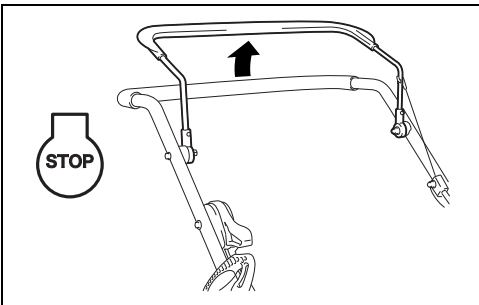
26



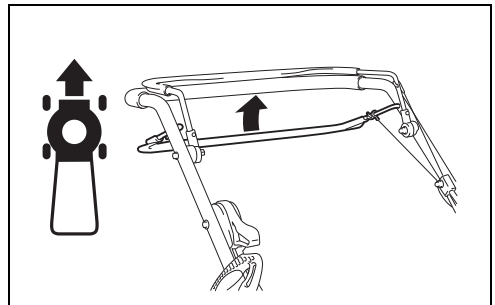
27



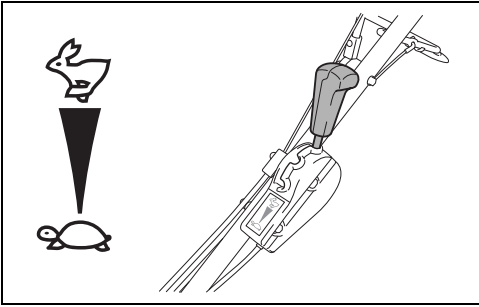
28



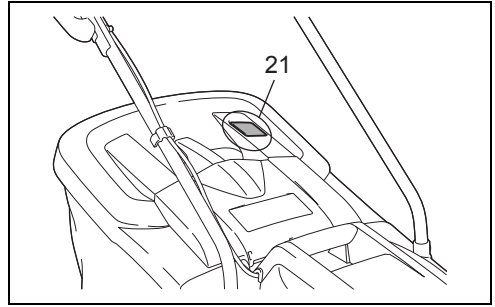
29



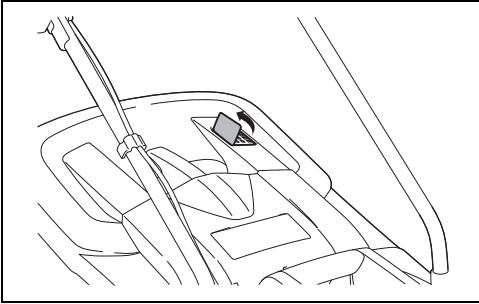
30



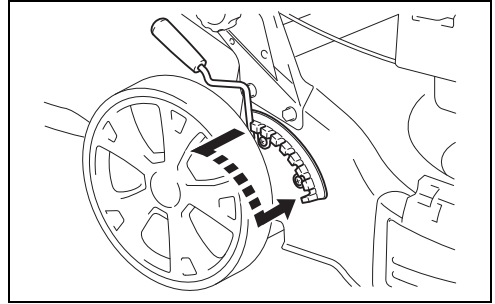
31



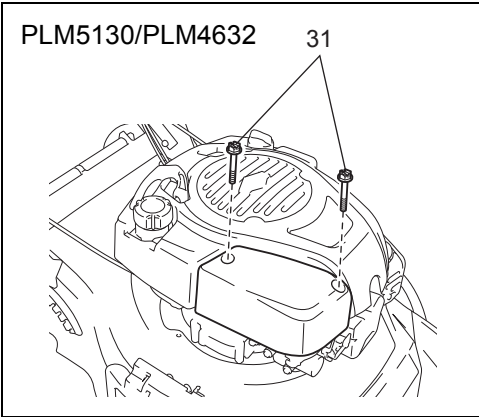
32



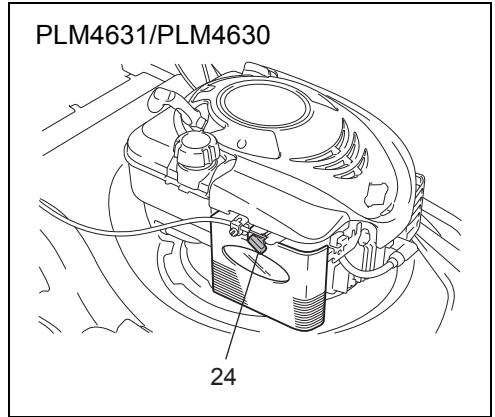
33



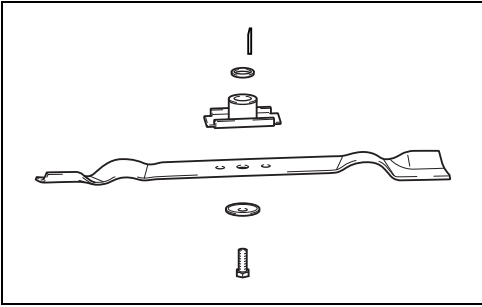
34



35



36



37

CONTENTS

ENGLISH	11
FRANÇAIS	20
DEUTSCH	30
ITALIANO	40
NEDERLANDS	50
ESPAÑOL.....	59
PORTUGUÊS.....	69
DANSK	78
ΕΛΛΗΝΙΚΑ	87
TÜRKÇE	97
SVENSKA.....	106
NORSK	115
SUOMI.....	124
LATVIEŠU	133
LIETUVIŲ KALBA.....	142
EESTI	151
POLSKI.....	160
MAGYAR	169
SLOVENČINA	178
ČESKY	187
ROMÂNĂ.....	196
РУССКИЙ	205
УКРАЇНСЬКА	215

ENGLISH

Explanation of general view

- | | | |
|------------------------------|----------------------------|------------------------------|
| 1. Brake control handle | 12. Sideward flap | 23. Washer |
| 2. Upper handle | 13. Deck | 24. Locking knob |
| 3. Self-drive control handle | 14. Spark plug | 25. Lock nut |
| 4. Choke lever | 15. Oil cap | 26. The angle adjusting gear |
| 5. Starter handle | 16. Fuel cap | 27. Button |
| 6. Rope guide | 17. Cable clamp | 28. Oil cap/dipstick |
| 7. Locking lever | 18. Cable fixing ring | 29. Max: upper limit |
| 8. Lower handle | 19. Speed adjustment lever | 30. Min: lower limit |
| 9. Grass catcher | 20. Mulching wedge | 31. Screw |
| 10. Height adjustment lever | 21. Level indicator | |
| 11. Side discharge channel | 22. Bolt | |



WARNING:

For your own safety please read this manual before attempting to operate your new unit. Failure to follow instructions can result in serious personal injury. Spend a few moments to familiarize yourself with your mower before each use.



When repairing, please pick up the spark plug, and then repair it according to the operational manual.



Caution: Engine hot.

1. SYMBOLS MARKED ON THE PRODUCT



Read operator's manual.



Keep bystanders away.



Pay more attention to the operator's hands and feet to avoid injury.



Fuel is flammable, keep fire away. Do not add fuel with running machine.



Toxic fumes; don't operate inside house.



When mowing, please wear the glasses and ear plugs to defend the operator himself.

2. GENERAL SAFETY RULES



WARNING: When using petrol tools, basic safety precautions, including the following, should always be followed to reduce the risk of serious personal injury and/or damage to the unit. Read all these instructions before operating this product and retain these instructions for future reference.



WARNING: This machine produces an electromagnetic field during operation. This field may under some circumstances interfere with active or passive medical implants. To reduce the risk of serious or fatal injury, we recommend persons with medical implants to consult their physician and the medical implant manufacturer before operating this machine.

Training

- Read the instructions carefully. Be familiar with the controls and the proper use of the equipment.
- Never allow children or people unfamiliar with these instructions to use the lawn mower. Local regulations can restrict the age of the operator.
- Never mow while people, especially children, or pets are nearby.
- Keep in mind that the operator or user is responsible for accidents or hazards occurring to other people or their property.

Preparation

- While mowing, always wear substantial footwear and long trousers. Do not operate the equipment when barefoot or wearing open sandals.

- Thoroughly inspect the area where the equipment is to be used and remove all objects which can be thrown by the machine.
- **WARNING-** Petrol is highly flammable.
 - store fuel in containers specifically designed for this purpose;
 - refuel outdoors only and do not smoke while refueling;
 - add fuel before starting the engine. Never remove the cap of the fuel tank or add petrol while the engine is running or when the engine is hot;
 - if petrol is spilled, do not attempt to start the engine but move the machine away from the area of spillage and avoid creating any source of ignition until petrol vapors have dissipated;
 - replace all fuel tank and container caps securely.
- Replace faulty silencers.
- Before using, always visually inspect to see that the blades, blade bolts and cutter assembly are not worn or damaged. Replace worn or damaged blades and bolts in sets to preserve balance.

Operation

- Do not operate the engine in a confined space where dangerous carbon monoxide fumes can collect.
- Mow only in daylight or in good artificial light.
- Avoid operating the equipment in wet grass, where feasible.
- Always be sure of your footing on slopes.
- Walk, never run.
- For wheeled rotary machines, mow across the face of slopes, never up and down.
- Exercise extreme caution when changing direction on slopes.
- Do not mow excessively on steep slopes.
- Use extreme caution when reversing or pulling the lawn mower towards you.
- Stop the blade(s) if the lawn mower has to be tilted for transportation when crossing surfaces other than grass, and when transporting the lawn mower to and from the area to be mowed.
- Never operate the lawn mower with defective guards, or without safety devices, for example deflectors and/or grass catchers, in place.
- Do not change the engine governor settings or overspeed the engine.
- Disengage all blades and drive clutches before starting the engine.
- Start the engine carefully according to instructions and with feet well away from the blade(s).
- Do not tilt the lawn mower when starting the engine.
- Do not start the engine when standing in front of the discharge chute.
- Do not put hands or feet near or under rotating parts. Keep clear of the discharge opening at all times.
- Never pick up or carry a lawn mower while the engine is running.
- Stop the engine and disconnect the spark plug wire, make sure that all moving parts have come to a complete stop and, where a key is fitted remove the key:
 - before clearing blockages or unclogging chute;
 - before checking, cleaning or working on the lawn mower;

- after striking a foreign object. Inspect the lawn mower for damage and make repairs before restarting and operating the lawn mower;
- if lawn mower starts to vibrate abnormally (check immediately).
- Stop the engine and disconnect the spark plug wire, make sure that all moving parts have come to a complete stop and, where a key is fitted remove the key:
 - whenever you leave the lawn mower;
 - before refueling.
- Reduce the throttle setting during engine shut down and, if the engine is provided with a shut-off valve, turn the fuel off at the conclusion of mowing.

Maintenance and storage

- Keep all nuts, bolts and screws tight to be sure the equipment are in safe working condition.
- Never store the equipment with petrol in the tank inside a building where fumes can reach an open flame or spark.
- Allow the engine to cool before storing in any enclosure.
- To reduce the fire hazard, keep the engine, silencer, battery compartment and petrol storage area free of grass, leaves, or excessive grease.
- Check the grass catcher frequently for wear or deterioration.
- Replace worn or damaged parts for safety.
- If the fuel tank has to be drained, this should be done outdoors.



WARNING: Do not touch rotating blade.



WARNING: Refuel in a well ventilated area with the engine stopped.

3. PARTS DESCRIPTION (Fig. 1, Fig. 2, Fig. 3, Fig. 4)

Including

A: Spark plug wrench

4. TECHNICAL DATA

Model	PLM4630	PLM4631	PLM4632	PLM5130
Engine type	B&S 675EX Series, ReadyStart	B&S 675EX Series, ReadyStart	B&S 750EX Series, ReadyStart	B&S 750EX Series, ReadyStart
Self-propelled	No	Yes	Yes	Yes
Engine displacement	190 cm ³	190 cm ³	161 cm ³	161 cm ³
Blade width	460 mm	460 mm	460 mm	510 mm
Rated speed	2,800/min	2,800/min	2,800/min	2,800/min
Fuel tank capacity	1.0 L	1.0 L	1.0 L	1.0 L
Oil tank capacity	0.6 L	0.6 L	0.6 L	0.6 L
Grass catcher capacity	60 L	60 L	60 L	65 L
Net weight	31.5 kg	34 kg	35 kg	38 kg
Height adjustment	20-75 mm, 8 adjustment	20-75 mm, 8 adjustment	20-75 mm, 8 adjustment	20-75 mm, 8 adjustment

	PLM4630	PLM4631	PLM4632	PLM5130
Guaranteed Sound Pressure level at operator's position (According to EN ISO 3744, EN ISO 4871)	83.5 dB (A) (K=3 dB (A))	83.5 dB (A) (K=3 dB (A))	83.9 dB (A) (K=3 dB (A))	85.7 dB (A) (K=3 dB (A))
Measured Sound Power level	94.2 dB (A) K=1.95 dB (A)	94.2 dB (A) K=1.95 dB (A)	94.3 dB (A) K=1.80 dB (A)	95.9 dB (A) K=2.16 dB (A)
Guaranteed Sound Power level (According to 2000/14/EC)	96 dB (A)	96 dB (A)	96 dB (A)	98 dB (A)
Vibration (According to EN ISO 20643)	6.58 m/s ² K=1.5 m/s ²	6.58 m/s ² K=1.5 m/s ²	7.12 m/s ² K=1.5 m/s ²	6.53 m/s ² K=1.5 m/s ²

5. ASSEMBLY

5-1 ASSEMBLE THE FOLDING HANDLE

- Fix the lower handlebar onto the handle bracket with bolt, washer and locking knob. (Fig. 5)
- Lift the two locking levers to connect the upper and lower handle. (Fig. 6)
- Push the locking lever closed to lock the handlebars in the operating position. (Fig. 7)
- Adjust the tension by turning the lock nut with a suitable spanner. (Fig. 8)
- Position the cable over the handle shaft. Clamp it around the middle of lower handle by the cable clamp and make sure the cable is fixed around the outside of the handle. (Fig. 9, Fig. 10) Otherwise the cable may be pinched by opening/closing the rear cover.

5-2 ADJUSTMENT FOR AN APPROPRIATE ANGLE

- Pull the locking lever opening.
- Rotating the upper handle centered of the angle adjusting gear for adjusting an appropriate angle into the scope -15° to 15° (3 position: -15°/0°/15°) as the Fig. 11 shown.
- Push the locking lever closed to connect the lower handle and the upper handle.

5-3 MOUNTING AND DISMOUNTING THE GRASS CATCHER

- To fit: Raise the rear cover and hitch the grass catcher on rear of mower. (Fig. 12, Fig. 13, Fig. 14)

- To remove: Grasp and lift rear cover, remove grass catcher.

5-4 STARTER HANDLE

Move the starter handle from the engine to the rope guide. (Fig. 15)

5-5 HEIGHT OF CUT

Apply outward pressure to disengage lever from rack. Move lever forward or back to adjust height. (Fig. 16 and see clause 7-9)

6. FUNCTION

These lawn mowers can be retrofitted from its normal function, based on the application purpose:

From lawn mower with rear collection to:

- Mulching mower or as
- Side-discharge mower.

What is mulching?

When mulching, the grass is cut in one working step, then finely chopped and returned to the grass strip as natural fertilizer.

Hints for mulch-mowing:

- Regular cut-back by max. 2 cm from 6 cm to 4 cm grass height.
- Use a sharp cutting knife.
- Do not mow wet grass.
- Set max. motor speed.
- Only move at working pace.
- Regularly clean mulching wedge, housing inner side and mowing blade.

Starting Operation

6-1 Retrofitting for mulching mower



WARNING: Only with a stopped motor and standstill cutter.

1. Raise the rear cover and remove the grass catcher.
2. Push the mulching wedge into the deck. Lock the mulching wedge with the button into the opening on the deck. (Fig. 17, Fig. 18)
3. Lower the rear cover again. (Fig. 19)
4. Lift sideward flap and remove the side discharge channel.

6-2 Resetting for side-discharge mowing



Only when motor and cutting are at standstill!

1. Lift the rear cover and remove the grass catcher.
2. Mount the mulching wedge.
3. Lift sideward flap for side discharge. (Fig. 20)
4. Mount the side discharge channel for side discharge on the support pin of the sideward flap. (Fig. 21)
5. Lower the sideward flap- the flap lies on the side discharge channel. (Fig. 22)

6-3 Mowing with the grass catcher



Only with a stopped engine and standstill cutter.

For mowing with the grass catcher, remove the mulching wedge and discharge channel for side discharge and mount the grass catcher.

1. Removing the mulching wedge.
 - Lift rear cover and remove the mulching wedge.
2. Removing the side discharge channel for side discharge.
 - Lift sideward flap and remove the side discharge channel.
 - The sideward flap automatically closes the discharge opening on the housing by mean of spring force.
 - Regularly clean the sideward flap and discharge opening forms of grass rest and stuck dirt.
3. Mount the grass catcher.
 - To fit: Raise the rear cover and hitch the grass catcher on rear of mower.
 - To remove: Grasp and lift the rear cover, remove grass catcher.

7. OPERATING INSTRUCTIONS

7-1 BEFORE STARTING

Service the engine with gasoline and oil as instructed in the separate engine manual packed in your mower. Read instructions carefully. (Fig. 23, Fig. 24, Fig. 25, Fig. 26)



WARNING: Petrol is highly flammable.

Store fuel in containers specifically designed for this purpose.

Refuel outdoors only, before starting the engine and do not smoke while refueling or handling fuel. Never remove the cap of the fuel tank or add petrol while the engine is running or when the engine is hot. If petrol is spilled, do not attempt to start the engine but move the machine away from the area of spillage and avoid creating any source of ignition until petrol vapors have dissipated.

Replace all fuel tanks and container caps securely. Before tipping the lawn mower to maintain the blade or drain oil, remove fuel from tank.



WARNING: Never fill fuel tank indoors, with engine running or until the engine has been allowed to cool for at least 15 minutes after running.

7-2 TO START ENGINE AND ENGAGE BLADE

1. The unit is equipped with a rubber boot over the end of the spark plug, make certain the metal loop on the end of the spark plug wire (inside the rubber boot) is fastened securely over the metal tip on the spark plug.
2. When starting cool engine turn choke lever to “☁” position. When starting warm engine and operating, turn throttle choke lever to “☞” position. (Fig. 27)
3. Standing behind the unit, grasp the brake control handle and hold it against the upper handle as shown in Fig. 28.
4. Grasp the starter handle as shown in Fig. 28 and pull up rapidly. Return it slowly to the rope guide bolt after engine starts.

Release the brake control handle to stop the engine and blade.



Start the engine carefully according to instructions and with feet well away from the blade.



Do not tilt the lawn mower when starting the engine. Start the mower on a level surface, free of high grass or obstacles.



Keep hands and feet away from the rotating parts. Do not start the engine when standing in front of the discharge opening.

7-3 OPERATION PROCEDURES

During operation, tightly hold the brake handle with both hands.

Note: During operation, when the brake handle is released, the engine will stop and thus stopping the lawn mower from operating.

7-4 TO STOP ENGINE



CAUTION: The blade continues to rotate for a few seconds after the engine is shut off.

1. Release the brake control handle to stop the engine and blade. (Fig. 29)


2. Disconnect and ground the spark plug wire as instructed in the separate engine manual to prevent accidental starting while equipment is unattended.

7-5 CONNECTION FOR AUTO MOVE

For PLM4631

Grip the self-drive control handle, the lawn mower will move forward automatically with about 3.6 km/h (Fig. 30), release the self-drive handle, the lawn mower will stop move.

For PLM4632, PLM5130

The mower is equipped with a speed adjusting system which can adjust 3 speeds from 3.0 km/h to 4.5 km/h. Position “

The step as below:

1. Release the self-drive control handle until the lawn mower does not go forward.
2. Adjust the appropriate speed which you want. (Fig. 31)
3. Grasp the self-drive control handle to go on mowing. (Fig. 30)



CAUTION: Your mower is designed to cut normal residential grass of a height no more than 250 mm. Do not attempt to mow through unusually tall dry or wet grass (e.g., pasture) or piles of dry leaves. Debris may build up on the mower deck or contact the engine exhaust presenting a potential fire hazard.

7-6 FOR THE BEST RESULTS WHEN MOWING

Clear lawn of debris. Be sure that the lawn is clear of stones, sticks, wire or other foreign objects which could be accidentally thrown out by the mower in any direction and cause serious personal injury to the operator and others as well as damage to property and surrounding objects. Do not cut wet grass. For effective mowing do not cut wet grass because it tends to stick to the underside of the deck preventing proper mowing of the grass clippings. Cut no more than 1/3 the length of the grass. The recommended cut for mowing is 1/3 the length of the grass. Ground speed will need to be adjusted so the clippings can be dispersed evenly into the lawn. For especially heavy cutting in thick grass it may be necessary to use one of the slowest speeds in order to get a clean well mowed cut. When mowing long grass you may have to cut the lawn in two passes, lowering the blade another 1/3 of the length for the second cut and perhaps cutting in a different pattern than was used the first time. Overlapping the cut a little on each pass will also help to clean up any stray clippings left on the lawn. The mower should always be operated at full throttle to get the best cut and allow it to do the most effective job of mowing. Clean underside of deck. Be certain to clean the underside of the cutting deck after each use to avoid a build-up of grass, which would prevent proper mulching. Mowing leaves. The mowing of leaves can also be beneficial to your lawn. When mowing leaves make sure they are dry and are not laying too thick on the lawn. Do not wait for all the leaves to be off the trees before you mow.



WARNING: If you strike a foreign object, stop the engine. Remove wire from spark plug, thoroughly inspect the mower for any damage and repair the damage before restarting and operating the mower. Extensive vibration of the mower during operation is an indication of damage. The unit should be promptly inspected and repaired.

7-7 GRASS CATCHER

There is a level indicator on the top of the grass catcher that shows whether the catcher is empty or full (Fig. 32, Fig. 33):

- The level indicator inflates if the catcher is not full during the moving. (Fig. 33)
- If the catcher is full, the indicator collapses; once this happens, stop moving immediately and empty the catcher, make sure it is clean and ensure its meshwork is ventilated. (Fig. 32)

IMPORTANT

If the position of indicator opening is very dirty, the indicator will not inflate-in this case, clean the position of indicator opening immediately.

7-8 DECK

The underside of the mower deck should be cleaned after each use to prevent a buildup of grass clippings, leaves, dirt or other matter. If this debris is allowed to accumulate, it will invite rust and corrosion, and may prevent proper mulching. The deck may be cleaned by tilting the mower and scraping clean with a suitable tool (make certain the spark plug wire is disconnected).

7-9 HEIGHT ADJUSTMENT INSTRUCTIONS



CAUTION: Do not at any time make any adjustment to lawn mower without first stopping the engine and disconnecting the spark plug wire.



CAUTION: Before changing mowing height, stop mower and disconnect spark plug cable.

Your mower is equipped with a central height adjustment lever offering 8 height positions.

The height (the blade to the ground) can be adjusted from 20 mm to 75 mm (8 height positions). (Fig. 34)

The lowest adjustment: 20 mm (position 1), the highest adjustment: 75 mm (position 8).

1. Stop mower and disconnect spark plug cable before changing mower cutting height.
2. The central height adjustment lever offers you 8 different height positions. (Fig. 34)

To change the height of cut, squeeze adjustment lever toward the wheel, moving up or down to selected height.

8. MAINTENANCE INSTRUCTIONS

SPARK PLUG

Use only original replacement spark plug. For best results, replace the spark plug every 100 hours of use.

9. LUBRICATION INSTRUCTIONS



CAUTION: DISCONNECT SPARK PLUG BEFORE SERVICING.

1. WHEELS-Lubricate the ball bearings in each wheel at least once a season with a light oil.
2. ENGINE-Follow engine manual for lubrication instructions.

10. CLEANING



CAUTION: Do not hose engine. Water can damage engine or contaminate the fuel system.

1. Wipe deck with dry cloth.
2. Hose under deck by tilting the mower so that the spark plug is up.

10-1 ENGINE AIR CLEANER



CAUTION: Do not allow dirt or dust to clog the air filter foam element. The engine air cleaner element must be serviced (cleaned) after 25 hours normal mowing. The foam element must be serviced regularly if the mower is used in dry dusty conditions.

TO CLEAN AIR FILTER

1. Remove the screw. (Fig. 35 for PLM4632 and PLM5130)
2. Remove the locking knob. (Fig. 36 for PLM4630 and PLM4631)
3. Remove the filter cover.
4. Wash filter element in soap water. **DO NOT USE GASOLINE!**
5. Air dry filter element.
6. Place a few drops of SAE30 oil on the foam filter and squeeze tightly to remove any excess oil.
7. Reinstall filter.

NOTE: Replace filter if frayed, torn, damaged or unable to be cleaned.

10-2 CUTTING BLADE



CAUTION: Be sure to disconnect and ground the spark plug wire before working on the cutting blade to prevent accidental engine starting. Protect hands by using heavy gloves or a rag to grasp the cutting blades. Tip mower as specified in separate engine manual. Remove the hex bolt and washer which hold the blade and blade adapter to the engine crankshaft. Remove the blade and adapter from the crankshaft.



WARNING: Periodically inspect the blade adapter for cracks, especially if you strike a foreign object. Replace when necessary.

For best results your blade should be sharp. The blade may be resharpened by removing it and either grinding or filing the cutting edge keeping as close to the original bevel as possible. It is extremely important that each cutting edge receives an equal amount of grinding to prevent an unbalanced blade. Improper blade balance will result in excessive vibration causing eventual damage to the engine and mower. Be sure to carefully balance blade after sharpening. The blade can be tested for balance by balancing it on a round shaft screwdriver. Remove metal from the heavy side until it balances evenly. (Fig. 37) Before reassembling the blade and the blade adapter to the unit, lubricate the engine crankshaft and the inner surface of the blade adapter with light oil. Install the blade adapter on the crankshaft. Refer to Fig. 37. Place the blade with the part number facing away from the adapter. Align the washer over the blade and insert the hex bolt. Tighten the hex bolt to the torque listed below.

10-3 BLADE MOUNTING TORQUE

Center bolt 40 Nm - 50 Nm, to insure safe operation of your unit. All nuts and bolts must be checked periodically for correct tightness.

After prolonged use, especially in sandy soil conditions, the blade will become worn and lose some of the original shape. Cutting efficiency will be reduced and the blade should be replaced. Replace with an approved factory replacement blade only. Possible damage resulting from blade unbalance condition is not the responsibility of the manufacturer.

When you change the blade, must use the original type marked on the blade (MAKITA 263001451 for PLM4630/PLM4631/PLM4632, MAKITA 263002552 for PLM5130) (for order the blade, pls. contact your local dealer or call our company, see cover page).

10-4 ENGINE

Refer to the separate engine manual for engine maintenance instructions.

Maintain engine oil as instructed in the separate engine manual packed with your unit. Read and follow instructions carefully.

Service air cleaner as per separate engine manual under normal conditions.

Clean every few hours under extremely dusty conditions. Poor engine performance and flooding usually indicates that the air cleaner should be serviced.

To service the air cleaner, refer to the separate engine manual packed with your unit.

The spark plug should be cleaned and the gap reset once a season. Spark plug replacement is recommended at the start of each mowing season; check engine manual for correct plug type and gap specifications.

Clean the engine regularly with a cloth or brush. Keep the cooling system (blower housing area) clean to permit proper air circulation which is essential to engine performance and life. Be certain to remove all grass, dirt and combustible debris from muffler area.

11. STORAGE INSTRUCTIONS (OFF SEASON)

The following steps should be taken to prepare lawn mower for storage.

1. Empty the tank after the last mowing of the season.
 - a) Empty the petrol tank with a suction pump.



CAUTION: Do not drain the petrol in closed rooms, in close proximity of open fire, etc. Do not smoke! Petrol fumes can cause explosion or fire.

- b) Start the engine and let it run until it has used up all remaining petrol and stalls.
 - c) Remove the spark plug. Use an oilcan to fill approx. 20 ml oil into the combustion chamber. Operate the starter to evenly distribute the oil in the combustion chamber. Replace the spark plug.
2. Clean and grease the lawn mower carefully as described above under "LUBRICATION INSTRUCTIONS".
3. Slightly grease the cutter to avoid corrosion.
4. Store the lawn mower in a dry, clean and frost-protected place, out of reach of unauthorized persons.



CAUTION: The engine must have completely cooled down before storing the lawn mower.



NOTE:

- When storing any type of power equipment in an unventilated or material storage shed.
- Care should be taken to rust-proof the equipment. Using a light oil or silicone, coat the equipment, especially cables and all moving parts.
- Be careful not to bend or kink cables.
- If the starter rope becomes disconnected from rope guide on handle, disconnect and ground the spark plug wire, depress the blade control handle and pull the starter rope out from engine slowly. Slip the starter rope into the rope guide bolt on handle.

Transport

Turn the engine off. Ensure not to bend or damage the cutter when pushing the lawn mower over obstacles.

12. TROUBLESHOOTING

PROBLEM	PROBABLE CAUSE	CORRECTIVE ACTION
Engine does not start.	Throttle choke not in the correct position for the prevailing conditions.	Move throttle choke to correct position.
	Fuel tank is empty.	Fill tank with fuel: refer to ENGINE OWNERS MANUAL.
	Air cleaner element is dirty.	Clean air cleaner element: refer to ENGINE OWNERS MANUAL.
	Spark plug loose.	Tighten spark plug to 25-30 Nm.
	Spark plug wire loose or disconnected from plug.	Install spark plug wire on spark plug.
	Spark plug gap is incorrect.	Set gap between electrodes at 0.7 to 0.8 mm.
	Spark plug is defective.	Install new, correctly gapped plug: refer to ENGINE OWNERS MANUAL.
	Carburetor is flooded with fuel.	Remove air cleaner element and pull starter rope continuously until carburetor clears itself and install air cleaner element.
Engine difficult to start or loses power.	Faulty ignition module.	Contact the service agent.
	Dirt, water, or stale fuel tank.	Drain fuel and clean tank. Fill tank with clean, fresh fuel.
	Vent hole in fuel tank cap is plugged.	Clean or replace fuel tank cap.
Engine operates erratically.	Air cleaner element is dirty.	Clean air cleaner element.
	Spark plug is defective.	Install new, correctly gapped plug: refer to ENGINE OWNERS MANUAL.
	Spark plug gap is incorrect.	Set gap between electrodes at 0.7 to 0.8 mm.
Engine idles poorly.	Air cleaner element is dirty.	Clean air cleaner element: refer to ENGINE OWNERS MANUAL.
	Air slots in engine shroud are blocked.	Remove debris from slots.
	Cooling fins and air passages under engine blower housing are blocked.	Remove debris from cooling fins and air passages.
Engine skips at high speed.	Gap between electrodes of spark plug is too close.	Set gap between electrodes at 0.7 to 0.8 mm.
Engine overheats.	Cooling air flow is restricted.	Remove any debris from slots in shroud, blower housing, air passages.
	Incorrect spark plug.	For PLM4630/PLM4631: Install RJ19LMC spark plug and cooling fins on engine. For PLM4632/PLM5130: Install QC12YC spark plug and cooling fins on engine.
Mower vibrates abnormally.	Cutting assembly is loose.	Tighten blade.
	Cutting assembly is unbalanced.	Balance blade.

13. ENVIRONMENT

Should your machine need replacement after extended use, do not put it in the domestic waste but dispose of it in an environmentally safe way.

For European countries only
EC Declaration of Conformity
We Makita Corporation as the responsible manufacturer declare that the following Makita machine(s):

Designation of Machine: Petrol Lawn Mower
 Model No. /Type: PLM4630, PLM4631, PLM4632, PLM5130

Specifications: See "4. TECHNICAL DATA" are of series production and

conforms to the following European Directives:
 2004/108/EC, 2006/42/EC,
 2000/14/EC & 2005/88/EC

And are manufactured in accordance with following standards or standardized documents:
 EN 836, EN ISO 14982

The technical documentation is kept by:

Makita International Europe Ltd.,
 Technical Department,
 Michigan Drive, Tongwell,
 Milton Keynes, Bucks MK15 8JD, England

The conformity assessment procedure required by
Directive 2000/14/EC was in Accordance with Annex VI.

Notified Body:

TÜV SÜD Industrie Service GmbH
Westendstraße 199, D-80686 München
Identification Number: 0036

Model: PLM4630, PLM4631

Measured Sound Power Level: 94.2 dB (A)

Guaranteed Sound Power Level: 96 dB (A)

Model: PLM4632

Measured Sound Power Level: 94.3 dB (A)

Guaranteed Sound Power Level: 96 dB (A)

Model: PLM5130

Measured Sound Power Level: 95.9 dB (A)

Guaranteed Sound Power Level: 98 dB (A)

30. 11. 2012



Tomoyasu Kato
Director

Makita Corporation
3-11-8, Sumiyoshi-cho,
Anjo, Aichi, 446-8502, JAPAN

Descriptif

- | | | |
|-------------------------------------|----------------------------------|-----------------------------------|
| 1. Guidon de contrôle de frein | 12. Volet latéral | 23. Rondelle |
| 2. Guidon supérieur | 13. Plateau | 24. Bouton de verrouillage |
| 3. Guidon d'autopropulsion | 14. Bougie d'allumage | 25. Contre-écrou |
| 4. Levier de l'étrangleur | 15. Bouchon d'huile | 26. Régulateur d'angle |
| 5. Guidon de démarrage | 16. Capuchon du carburant | 27. Bouton |
| 6. Guide câble | 17. Clip de maintien | 28. Bouchon d'huile/jauge graduée |
| 7. Levier de verrouillage | 18. Anneau de fixation du câble | 29. Max : limite supérieure |
| 8. Guidon inférieur | 19. Levier de réglage de vitesse | 30. Min : limite inférieure |
| 9. Sac de ramassage d'herbe | 20. Embout de hachage | 31. Vis |
| 10. Levier de réglage de la hauteur | 21. Indicateur de niveau | |
| 11. Canal d'éjection latéral | 22. Boulon | |



AVERTISSEMENT :

Pour votre sécurité, veuillez lire ce manuel avant de faire fonctionner votre nouvelle machine. Le non-respect des instructions peut provoquer des blessures graves. Prenez du temps pour vous familiariser avec la tondeuse avant chaque utilisation.

1. SYMBOLES MARQUÉS SUR LE PRODUIT



Lisez le manuel d'instructions.



Ménagez un périmètre de sécurité.



Soyez attentifs aux mains et aux pieds de l'opérateur pour éviter toute blessure.



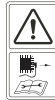
Le carburant est inflammable, tenir éloigné des flammes. N'ajoutez pas de carburant lors du fonctionnement de la machine.



Fumées toxiques, n'utilisez pas à l'intérieur.



Lorsque vous tondez, portez des lunettes et des bouchons d'oreilles pour votre sécurité.



Lors de la réparation, retirez la bougie d'allumage, puis réparez-la conformément au manuel d'instructions.



Attention : moteur chaud.

2. CONSIGNES DE SÉCURITÉ GÉNÉRALES



AVERTISSEMENT : Lors de l'utilisation d'outils à essence, des précautions de sécurité de base, notamment celles qui suivent, doivent être respectées pour réduire le risque de blessures graves et/ou de dégâts matériels. Lisez toutes ces instructions avant d'utiliser le produit et conservez-les pour votre information future.



AVERTISSEMENT : Cet appareil produit un champ électromagnétique pendant son fonctionnement. Dans certains cas, ce champ peut perturber les implants médicaux actifs ou non. Pour réduire les risques de blessures graves ou mortelles, il est recommandé aux personnes porteuses d'implants médicaux de consulter leur médecin ainsi que le fabricant de l'implant médical avant d'utiliser cet appareil.

Formation

- Lisez les instructions attentivement. Familiarisez-vous avec les commandes et l'utilisation correcte de l'équipement.
- Ne laissez pas des enfants ou des personnes ne connaissant pas ces instructions utiliser la tondeuse. Les réglementations locales peuvent limiter l'âge de l'opérateur.
- N'utilisez jamais la tondeuse lorsque des personnes, particulièrement des enfants, ou des animaux se trouvent à proximité.

- Gardez à l'esprit que l'opérateur ou l'utilisateur est responsable des accidents ou blessures survenant à d'autres personnes ou à leurs biens.

Préparation

- Pendant la tonte, portez toujours des chaussures résistantes et des pantalons longs. N'utilisez pas le matériel lorsque vous êtes pieds nus ou en sandales.
- Inspectez minutieusement toute la zone à tondre et éliminez tout objet qui pourrait être projeté par la machine.
- **AVERTISSEMENT** - L'essence est extrêmement inflammable :
 - stockez le carburant dans des conteneurs conçus spécialement à cet effet ;
 - procédez au ravitaillement à l'extérieur uniquement et ne fumez pas pendant cette opération ;
 - ajoutez le carburant avant de démarrer le moteur. Ne retirez jamais le capuchon du réservoir de carburant et n'ajoutez pas d'essence lorsque le moteur tourne ou qu'il est chaud ;
 - si de l'essence coule, n'essayez pas de démarrer le moteur mais éloignez l'appareil de la zone où l'essence a coulé et évitez de faire des étincelles jusqu'à dissipation des vapeurs d'essence ;
 - revissez fermement tous les capuchons du réservoir et du conteneur.
- Remplacez les pots d'échappement défectueux.
- Avant l'utilisation, procédez toujours à une vérification générale pour vous assurer que les lames, les boulons de lame et l'ensemble de coupe ne sont ni usés ni endommagés. Remplacez les lames et boulons endommagés ou usés par lots complets pour préserver le bon équilibrage.

Fonctionnement

- Ne faites pas tourner le moteur dans un lieu confiné, en raison de la possibilité de dangereuses émanations de monoxyde de carbone.
- Tondez uniquement à la lumière du jour ou dans une lumière artificielle de bonne qualité.
- Évitez de tondre de l'herbe mouillée, si possible.
- Assurez vos pas dans les pentes.
- Marchez, ne courez jamais.
- Pour les machines rotatives à roues, tondez les pentes dans le sens transversal, jamais en montant ou en descendant.
- Soyez particulièrement prudent lors des changements de direction sur les terrains en pente.
- Ne coupez pas l'herbe sur des pentes excessivement raides.
- Faites particulièrement attention lorsque la tondeuse doit être tirée vers vous.
- Arrêtez la/les lame(s) si la tondeuse thermique doit être inclinée pour le transport, lorsque vous traversez des zones sans herbe et lors des déplacements entre les surfaces à tondre.
- N'utilisez jamais la tondeuse si ses protecteurs sont endommagés, ou en l'absence de dispositifs de sécurité, comme le déflecteur ou le sac de ramassage.
- Ne changez pas les réglages du gouverneur du moteur et ne forcez pas le moteur.
- Désengagez les lames et les vitesses avant de démarrer le moteur.

- Faites attention lorsque vous démarrez le moteur, conformez-vous aux instructions et assurez-vous que vos pieds sont éloignés de la/des lame(s).
- Lorsque vous démarrez le moteur, n'inclinez pas la tondeuse.
- Ne démarrez pas le moteur lorsque vous êtes devant la goulotte d'éjection.
- Ne placez pas vos mains ou vos pieds à proximité ou sous des pièces qui tournent. Restez en permanence éloigné de l'ouverture d'éjection.
- Ne soulevez ni ne transportez jamais une tondeuse dont le moteur est en fonctionnement.
- Arrêtez le moteur et débranchez le câble de la bougie d'allumage, assurez-vous que les pièces mobiles sont complètement arrêtées et, si une clé est utilisée pour le moteur, retirez-la :
 - avant toute opération de retrait d'obstruction ou de débouchage de la goulotte ;
 - avant toute opération de vérification, de nettoyage ou de réparation de la tondeuse ;
 - après avoir heurté un corps étranger. Inspectez la tondeuse pour vérifier si elle est endommagée. Effectuez les réparations nécessaires avant toute nouvelle utilisation de la tondeuse ;
 - si la tondeuse commence à vibrer de manière anormale (vérification immédiate).
- Arrêtez le moteur et débranchez le câble de la bougie d'allumage, assurez-vous que les pièces mobiles sont complètement arrêtées et, si une clé est utilisée pour le moteur, retirez-la :
 - lorsque vous vous éloignez de la tondeuse ;
 - avant tout ravitaillement en carburant.
- Réduisez la vitesse lors de l'arrêt du moteur et, si le moteur est équipé d'une soupape d'arrêt, arrêtez l'alimentation en carburant à la fin de la tonte.

Maintenance et stockage

- Maintenez tous les écrous, boulons et vis serrés afin d'assurer des conditions d'utilisation sûres.
- Ne rangez jamais un appareil avec de l'essence dans le réservoir dans un bâtiment où des fumées peuvent s'enflammer ou provoquer des étincelles.
- Laissez le moteur refroidir avant de ranger l'appareil.
- Pour réduire le danger de combustion, débarrassez le moteur, le pot d'échappement, le compartiment de la batterie et la zone de stockage d'essence de toute impureté telle qu'herbe, feuille ou graisse.
- Vérifiez fréquemment que le sac de ramassage ne présente aucune trace d'usure ou de détérioration.
- Remplacez les pièces usées ou endommagées pour des raisons de sécurité.
- Le cas échéant, vidangez le réservoir de carburant en extérieur.



AVERTISSEMENT : Ne touchez pas la lame en mouvement.



AVERTISSEMENT : Remettez du carburant dans un lieu bien ventilé et assurez-vous que le moteur est arrêté.

3. DESCRIPTION DES PIÈCES (Fig. 1, Fig. 2, Fig. 3, Fig. 4)

Notamment

A : Clé de bougie d'allumage

4. CARACTÉRISTIQUES TECHNIQUES

Modèle	PLM4630	PLM4631	PLM4632	PLM5130
Type de moteur	Série B&S 675EX, ReadyStart	Série B&S 675EX, ReadyStart	Série B&S 750EX, ReadyStart	Série B&S 750EX, ReadyStart
Autopropulsé	Non	Oui	Oui	Oui
Déplacement du moteur	190 cm ³	190 cm ³	161 cm ³	161 cm ³
Largeur de la lame	460 mm	460 mm	460 mm	510 mm
Vitesse nominale	2 800/min	2 800/min	2 800/min	2 800/min
Capacité du réservoir de carburant	1,0 l	1,0 l	1,0 l	1,0 l
Volume du réservoir d'huile	0,6 l	0,6 l	0,6 l	0,6 l
Capacité du sac de ramassage d'herbe	60 l	60 l	60 l	65 l
Poids net	31,5 kg	34 kg	35 kg	38 kg
Réglage de la hauteur	20-75 mm, 8 réglages	20-75 mm, 8 réglages	20-75 mm, 8 réglages	20-75 mm, 8 réglages

	PLM4630	PLM4631	PLM4632	PLM5130
Niveau de pression sonore garantie à la position de l'opérateur (selon les normes EN ISO 3744, EN ISO 4871)	83,5 dB (A) (K=3 dB (A))	83,5 dB (A) (K=3 dB (A))	83,9 dB (A) (K=3 dB (A))	85,7 dB (A) (K=3 dB (A))
Niveau de puissance sonore mesurée	94,2 dB (A) K=1,95 dB (A)	94,2 dB (A) K=1,95 dB (A)	94,3 dB (A) K=1,80 dB (A)	95,9 dB (A) K=2,16 dB (A)
Niveau de puissance sonore garantie (selon la norme 2000/14/CE)	96 dB (A)	96 dB (A)	96 dB (A)	98 dB (A)
Vibrations (selon la norme EN ISO 20643)	6,58 m/s ² K=1,5 m/s ²	6,58 m/s ² K=1,5 m/s ²	7,12 m/s ² K=1,5 m/s ²	6,53 m/s ² K=1,5 m/s ²

5. MONTAGE

5-1 MONTER LE GUIDON REPLIABLE

1. Installez la barre inférieure du guidon sur le crochet du guidon à l'aide d'un boulon, d'une rondelle et d'un bouton de verrouillage. (Fig. 5)
2. Relevez les deux leviers de verrouillage pour raccorder le guidon supérieur et le guidon inférieur. (Fig. 6)
3. Enfoncez le levier de verrouillage pour le fermer, afin de verrouiller les guidons en position de fonctionnement. (Fig. 7)
4. Réglez la tension en tournant le contre-écrou à l'aide d'une clé adaptée. (Fig. 8)
5. Placez le câble sur le manche. Serrez-le autour de la partie centrale du guidon inférieur à l'aide du clip de maintien et vérifiez que le câble est fixé autour de la partie extérieure du guidon. (Fig. 9, Fig. 10) Sinon, le câble risque d'être pincé lors de l'ouverture/la fermeture du capot arrière.

5-2 RÉGLAGE POUR UN ANGLE ADÉQUAT

- 1) Tirez sur l'ouverture du levier de verrouillage.
- 2) Tournez le guidon supérieur en position centrale du régulateur d'angle pour effectuer un angle correct compris entre -15° et 15° (3 positions : -15°/0°/15°) comme présenté sur la Fig. 11.
- 3) Appuyez sur le levier de verrouillage pour le fermer, puis raccordez le guidon inférieur et le guidon supérieur.

5-3 MONTAGE ET DÉMONTAGE DU SAC DE RAMASSAGE D'HERBE

1. Pour l'installer : soulevez le capot arrière et fixez le sac de ramassage à l'arrière de la tondeuse. (Fig. 12, Fig. 13, Fig. 14)
2. Pour le retirer : soulevez le capot arrière, retirez le sac de ramassage.

5-4 GUIDON DE DÉMARRAGE

Déplacez le guidon de démarrage du moteur vers le guide câble. (Fig. 15)

5-5 HAUTEUR DE COUPE

Pour sortir le levier du rail, appliquez une pression vers l'extérieur. Pour régler la hauteur, avancez le levier vers l'avant ou vers l'arrière. (Fig. 16 et voir le point 7-9)

6. FONCTIONNEMENT

Le fonctionnement habituel de ces tondeuses peut être modifié selon l'application choisie : Depuis la tondeuse avec collecte à l'arrière jusqu'à la :

1. Tondeuse hacheuse ou la
2. Tondeuse à éjection latérale.

Qu'est-ce que le hachage ?

Lors du hachage, l'herbe est tout d'abord coupée, puis finement coupée et retournée avant d'être remise par terre pour faire office d'engrais naturel.

Conseils relatifs à ce processus :

- Hauteur de coupe de 2 cm au max. sur une hauteur d'herbe de 6 cm à 4 cm.
- Utilisez une lame aiguisée.
- Ne tondez pas d'herbe mouillée.
- Réglez le moteur sur la vitesse maximale.
- Ne courez pas.
- Nettoyez régulièrement l'embout de hachage, l'intérieur du châssis et la lame de tonte.

Démarrage

6-1 Modification pour la tondeuse hacheuse



AVERTISSEMENT : Ne faites cela qu'avec un moteur et une lame à l'arrêt.

1. Relevez le capot arrière et retirez le sac de ramassage.
2. Poussez l'embout de hachage dans le plateau. Bloquez-le avec le bouton pendant l'ouverture du plateau. (Fig. 17, Fig. 18)
3. Remettez le capot arrière en place. (Fig. 19)
4. Relevez le volet latéral et retirez le canal d'éjection latérale.

6-2 Réinitialisation pour la tonte avec éjection latérale



Uniquement lorsque le moteur et la lame sont à l'arrêt !

1. Soulevez le capot arrière et retirez le sac de ramassage.
2. Installez l'embout de hachage.
3. Soulevez le volet latéral pour l'éjection latérale. (Fig. 20)
4. Installez le canal d'éjection latéral pour l'éjection latérale sur la broche de soutien du volet latéral. (Fig. 21)
5. Baissez le volet latéral - le volet repose sur le canal d'éjection latéral. (Fig. 22)

6-3 Tonte avec le sac de ramassage d'herbe



Ne faites cela qu'avec un moteur et une lame à l'arrêt.

Pour tondre avec le sac de ramassage, retirez l'embout de hachage et le canal d'éjection pour l'éjection latérale, et installez le sac de ramassage.

1. Retrait de l'embout de hachage.
 - Relevez le capot arrière et retirez l'embout de hachage.
2. Retrait du canal d'éjection latérale pour l'éjection latérale.
 - Relevez le volet latéral et retirez le canal d'éjection latérale.
 - Le volet latéral ferme automatiquement l'ouverture d'éjection sur la carrosserie à l'aide d'un ressort.
 - Nettoyez régulièrement le volet latéral et dégagez les ouvertures des résidus d'herbe et la saleté collée.
3. Installez le sac de ramassage.
 - Pour l'installer : soulevez le capot arrière et fixez le sac de ramassage à l'arrière de la tondeuse.
 - Pour le retirer : soulevez le capot arrière, retirez le sac de ramassage.

7. INSTRUCTIONS D'UTILISATION

7-1 AVANT LE DÉMARRAGE

Refaites les niveaux d'huile et d'essence du moteur conformément aux instructions du manuel du moteur fourni avec la tondeuse. Lisez attentivement les instructions. (Fig. 23, Fig. 24, Fig. 25, Fig. 26)



AVERTISSEMENT : L'essence est extrêmement inflammable.

Stockez le carburant dans des conteneurs conçus particulièrement à cet effet.

Ne mettez de l'essence qu'en extérieur, avant de démarrer le moteur et ne fumez pas lorsque vous manipulez de l'essence.

Ne retirez jamais le capuchon du réservoir de carburant et n'ajoutez pas d'essence lorsque le moteur tourne ou qu'il chauffe.

Si de l'essence coule, n'essayez pas de démarrer le moteur mais éloignez l'appareil de la zone où l'essence a coulé et évitez de faire des étincelles jusqu'à dissipation des vapeurs d'essence.


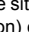
Revissez fermement tous les capuchons du réservoir et du conteneur.

Avant de basculer la tondeuse pour assurer l'entretien de la lame ou effectuer la vidange, siphonnez le carburant.



AVERTISSEMENT : Ne remplissez jamais le réservoir de carburant en intérieur, lorsque le moteur fonctionne ou avant qu'il n'ait eu le temps de refroidir pendant au moins 15 minutes.

7-2 DÉMARRAGE DU MOTEUR ET ENGAGEMENT DE LA LAME

1. L'extrémité de la bougie d'allumage est recouverte d'une protection en caoutchouc, assurez-vous que la boucle métallique située au bout du câble de la bougie (dans la protection) est fermement fixée sur l'embout métallique de la bougie d'allumage.
2. Lorsque vous démarrez le moteur à froid, placez le levier de l'étrangleur des gaz en position «  ». Lorsque vous démarrez le moteur à chaud et qu'il fonctionne déjà, tournez le levier de l'étrangleur des gaz en position «  », (Fig. 27)
3. Debout derrière l'appareil, attrapez le guidon de contrôle de frein et maintenez-le contre le guidon supérieur, comme illustré à la Fig. 28.
4. Attrapez le guidon de démarrage comme illustré à la Fig. 28 et tirez brièvement dessus. Ramenez-le doucement vers le boulon du guide câble après démarrage du moteur.

Pour arrêter le moteur et la lame, relâchez le guidon de contrôle de frein.



Démarrez le moteur attentivement, conformément aux instructions et en vous assurant que vos pieds sont éloignés de la lame.



Lorsque vous démarrez le moteur, n'inclinez pas la tondeuse. Démarrez la tondeuse sur une surface plane, sans herbes hautes ni obstacles.



Gardez vos mains et vos pieds éloignés des pièces en rotation. Ne démarrez pas le moteur lorsque vous êtes devant la goulotte d'éjection.

7-3 PROCÉDURES DE FONCTIONNEMENT

Lors du fonctionnement, tenez fermement et à deux mains le guidon de frein.

Remarque : En fonctionnement, lorsque vous relâchez le guidon de frein, le moteur s'arrête et par conséquent la tondeuse également.

7-4 ARRÊT DU MOTEUR



ATTENTION : Après l'arrêt du moteur, la lame continue à tourner pendant quelques secondes.

1. Pour arrêter le moteur et la lame, relâchez le guidon de contrôle de frein. (Fig. 29)
2. Débranchez le câble de la bougie d'allumage et placez-le sur le sol conformément aux instructions du manuel du moteur, pour éviter un démarrage accidentel.



7-5 RACCORDEMENT POUR LE DÉPLACEMENT AUTOMATIQUE

Pour le modèle PLM4631

Appuyez sur le guidon d'autopropulsion pour faire avancer la tondeuse automatiquement d'environ 3,6 km/h (Fig. 30). Relâchez le guidon d'autopropulsion pour que la tondeuse cesse d'avancer.

Pour les modèles PLM4632, PLM5130

La tondeuse est équipée d'un système de réglage de vitesse comportant 3 vitesses comprises entre 3,0 km/h et 4,5 km/h.

Position «  » : la position la plus lente ; position «  » : la position la plus rapide. (Fig. 31)

Pour changer de vitesse, procédez comme suit :

1. Relâchez le guidon d'autopropulsion jusqu'à ce que la tondeuse n'avance plus.
2. Sélectionnez la vitesse souhaitée. (Fig. 31)
3. Appuyez sur le guidon d'autopropulsion pour continuer de tondre. (Fig. 30)



ATTENTION : Votre tondeuse est prévue pour couper de la pelouse normale dont la hauteur ne dépasse pas 250 mm.

Ne tentez pas de tondre de l'herbe haute et sèche ou mouillée (par exemple, un pré) ou des amas de feuilles sèches. Des débris peuvent s'accumuler sur le plateau ou entrer en contact avec l'échappement du moteur, présentant un risque d'incendie potentiel.

7-6 POUR DES RÉSULTATS OPTIMAUX LORS DE LA TONTE

Débarrassez le gazon de tout débris. Vérifiez que le gazon est exempt de cailloux, bâtons, câbles et autres corps étrangers qui risqueraient d'être projetés accidentellement par la tondeuse dans toutes les directions et de provoquer des blessures graves ou d'endommager les objets avoisinants. Ne tondez pas d'herbe mouillée. Pour une tonte efficace, ne coupez pas d'herbe mouillée car elle a tendance à coller au dessous du plateau, ce qui nuit à l'efficacité de la tonte. Ne coupez pas plus d'1/3 de la hauteur de l'herbe. La coupe conseillée pour la tonte est d'1/3 de la hauteur de l'herbe. Vous devrez régler la vitesse par rapport au sol pour que les herbes coupées soient dispersées de façon homogène. Pour une coupe intensive, par exemple avec de l'herbe épaisse, il peut être nécessaire d'utiliser l'une des vitesses les plus lentes pour obtenir un résultat propre. Lorsque vous tondez de l'herbe haute, il est possible que vous deviez procéder en deux fois, en abaissant la lame d'1/3 de hauteur supplémentaire pour votre deuxième passage et peut-être en ne suivant pas le même trajet que pour la première coupe. Si deux coupes successives se chevauchent, les touffes restantes sont éliminées. Vous devez toujours utiliser la tondeuse à pleins gaz pour obtenir un résultat optimal et des plus efficaces. Nettoyez le dessous du plateau. Assurez-vous de nettoyer le dessous du plateau après chaque utilisation pour éviter que l'herbe ne s'y accumule, se qui nuirait au hachage. Tonte de feuilles. Pour un beau terrain, vous pouvez tondre les feuilles. Assurez-vous que les feuilles sont sèches et qu'elles ne sont pas en couche trop épaisse. N'attendez pas que toutes les feuilles soient tombées des arbres avant de tondre.



AVERTISSEMENT : Si vous heurtez un objet, arrêtez le moteur. Retirez le câble de la bougie d'allumage, inspectez soigneusement la tondeuse et réparez les éventuels dégâts avant de poursuivre l'utilisation. Une vibration excessive de la tondeuse est un

signe de dégât. L'appareil doit être rapidement inspecté et réparé.

7-7 SAC DE RAMASSAGE D'HERBE

La partie supérieure du sac de ramassage possède un indicateur de niveau qui signale si le sac est vide ou plein (Fig. 32, Fig. 33) :

- Le niveau de l'indicateur augmente si le sac n'est pas plein lors du déplacement. (Fig. 33)
- Si le sac est plein, le niveau de l'indicateur diminue. Dans ce cas, cessez immédiatement de tondre et videz le sac, assurez-vous qu'il est propre et que ses mailles sont aérées. (Fig. 32)

IMPORTANT

Si l'ouverture de l'indicateur est très sale, le niveau de celui-ci n'augmente pas. Dans ce cas, nettoyez immédiatement l'emplacement de l'ouverture de l'indicateur.

7-8 PLATEAU

Le dessous du plateau doit être nettoyé après chaque utilisation pour éviter l'accumulation d'herbe, de feuilles, de saleté ou d'autre matière. Si des débris s'accumulent, l'appareil risque de se corroder et de rouiller, ce qui peut nuire à l'efficacité du hachage. Pour nettoyer le plateau, inclinez la tondeuse et grattez le plateau avec un outil adapté (assurez-vous que le câble de la bougie d'allumage est débranché).

7-9 INSTRUCTIONS DE RÉGLAGE DE LA HAUTEUR



ATTENTION : En aucun cas, n'effectuez aucun réglage de la tondeuse sans arrêter au préalable le moteur et débrancher le câble de la bougie d'allumage.



ATTENTION : Avant de modifier la hauteur de coupe, arrêtez la tondeuse et débranchez le câble de la bougie d'allumage.

La tondeuse est équipée d'un levier central de réglage de la hauteur, qui permet 8 réglages.

La hauteur (entre la lame et le sol) peut être réglée entre 20 mm et 75 mm (8 hauteurs). (Fig. 34)

Réglage le plus bas : 20 mm (position 1), réglage le plus haut : 75 mm (position 8).

1. Arrêtez la tondeuse et débranchez le câble de la bougie d'allumage avant de modifier la hauteur de coupe de la tondeuse.
2. Le levier central de réglage de la hauteur vous permet de choisir entre 8 positions. (Fig. 34)

Pour modifier la hauteur de coupe, ramenez le levier de réglage vers la roue, puis montez-le ou descendez-le vers la hauteur de votre choix.

8. INSTRUCTIONS DE MAINTENANCE

BOUGIE D'ALLUMAGE

N'utilisez que des bougies de remplacement d'origine. Pour des résultats optimaux, remplacez la bougie d'allumage toutes les 100 heures d'utilisation.

9. INSTRUCTIONS DE LUBRIFICATION



ATTENTION : DÉBRANCHEZ LA BOUGIE D'ALLUMAGE AVANT TOUTE OPÉRATION DE MAINTENANCE.

1. ROUES-Lubrifiez les roulements à billes de chaque roue au moins une fois par an avec une huile à faible viscosité.
2. MOTEUR-Pour des instructions de lubrification, conformez-vous au manuel du moteur.

10. NETTOYAGE



ATTENTION : N'arrosez pas le moteur. L'eau risque d'endommager le moteur ou de contaminer le système de carburant.

1. Nettoyez le plateau avec un chiffon sec.
2. Aspergez le dessous du plateau en basculant la tondeuse de sorte que la bougie d'allumage soit orientée vers le haut.

10-1 FILTRE À AIR



ATTENTION : Ne laissez pas de la saleté ou des poussières obstruer la mousse du filtre à air. La maintenance (nettoyage) du filtre à air doit être effectuée après 25 heures de tonte normale. L'élément en mousse doit être entretenu régulièrement si la tondeuse est utilisée dans des conditions de poussière extrême.

NETTOYAGE DU FILTRE À AIR

1. Retirez la vis. (Fig. 35 pour PLM4632 et PLM5130)
2. Retirez le bouton de verrouillage. (Fig. 36 pour PLM4630 et PLM4631)
3. Retirez le couvercle du filtre.
4. Nettoyez le filtre à l'eau savonneuse. **N'UTILISEZ PAS D'ESSENCE !**
5. Séchez le filtre à l'air.
6. Placez quelques gouttes d'huile SAE30 dans le filtre à mousse et secouez-le légèrement pour retirer l'excès d'huile.
7. Remontez le filtre.

REMARQUE : Remplacez le filtre s'il est ébréché, endommagé ou que vous ne pouvez pas le nettoyer.

10-2 LAME



ATTENTION : Assurez-vous de débrancher le câble de la bougie d'allumage et de le poser sur le sol avant d'effectuer des opérations de maintenance sur la lame et évitez tout démarrage accidentel du moteur.

Protégez vos mains avec des gants épais ou attrapez les lames avec un chiffon. Inclinez la tondeuse comme spécifié dans le manuel du moteur. Retirez le boulon hexagonal et la rondelle qui fixent la lame et l'adaptateur de lame au vilebrequin. Retirez la lame et l'adaptateur du vilebrequin.



AVERTISSEMENT : Inspectez régulièrement l'adaptateur de lame pour vérifier l'absence de fissures, particulièrement si vous heurtez un objet étranger. Le cas échéant, remplacez-le.

Pour des résultats optimaux, assurez-vous que la lame est aiguisée. La lame peut être affûtée ; il suffit de la retirer et de l'aiguiser en essayant de conserver le biseau d'origine. Pour éviter un déséquilibre, il est primordial que toutes les extrémités de coupe soient limées de façon équivalente. Un mauvais équilibre des lames peut provoquer des vibrations excessives, ce qui risque d'endommager le moteur et la tondeuse. Assurez-vous de bien équilibrer les lames après l'affûtage. Pour tester l'équilibre de la lame, placez-la sur un tournevis courbe. Retirez l'excédent du métal du côté lourd jusqu'à obtention de l'équilibrage. (Fig. 37)

Avant de remonter la lame et l'adaptateur de lame sur l'appareil, lubrifiez le vilebrequin du moteur et la surface intérieure de l'adaptateur de lame avec une huile à faible viscosité. Installez l'adaptateur de lame sur le vilebrequin. Reportez-vous à la Fig. 37. Placez la lame avec son numéro de pièce orientée à l'opposé de l'adaptateur. Alignez la rondelle sur la lame et insérez le boulon hexagonal. Serrez le boulon hexagonal au couple répertorié ci-dessous.

10-3 COUPLE DE MONTAGE DE LA LAME

Boulon central : 40 Nm - 50 Nm, afin de garantir un fonctionnement sûr de votre appareil. Vous devez inspecter régulièrement tous les écrous et boulons pour vérifier qu'ils sont bien serrés.

Après une utilisation prolongée, particulièrement sur des sols sableux, la lame peut s'user et perdre sa forme d'origine. L'efficacité de coupe diminue et la lame doit être remplacée. Ne remplacez la lame qu'avec une lame approuvée. Le fabricant décline toute responsabilité relative aux dégâts résultant d'un mauvais équilibrage de la lame.

Lorsque vous changez la lame, vous devez utiliser une lame du même type que celui d'origine (MAKITA 263001451 pour PLM4630/PLM4631/PLM4632, MAKITA 263002552 pour PLM5130) (pour commander cette lame, contactez votre revendeur le plus proche ou appelez-nous, voir la page de couverture).

10-4 MOTEUR

Consultez le manuel du moteur pour connaître les instructions de maintenance du moteur.

Conformez-vous au manuel du moteur fourni avec l'appareil pour connaître les opérations de maintenance de l'huile du moteur. Lisez soigneusement les instructions et suivez-les.

Réparez le filtre à air conformément aux préconisations du manuel du moteur.

Nettoyez-le régulièrement si vous utilisez l'appareil dans des conditions particulièrement poussiéreuses. De

mauvaises performances et un noyage du moteur indiquent en général que le filtre à air doit être réparé. Pour ce faire, consultez le manuel du moteur fourni avec l'appareil.

La bougie d'allumage doit être nettoyée et l'espace doit être vérifié une fois par an. Le remplacement de la bougie d'allumage est conseillé au début de chaque saison de tonte ; consultez le manuel du moteur pour connaître les bonnes spécifications d'espace et de type de bougie. Nettoyez régulièrement le moteur avec un chiffon ou une brosse. Gardez le système de refroidissement (ventilateur) propre pour permettre une bonne circulation de l'air, ce qui est essentiel aux performances et à la durée de vie du moteur. Assurez-vous de retirer toutes les herbes, la saleté et les débris de combustible du pot d'échappement.

11. INSTRUCTIONS DE STOCKAGE (HORS SAISON)

Les étapes suivantes doivent être respectées pour préparer la tondeuse au stockage.

- 1) Videz le réservoir après la dernière tonte de la saison.
- a) Videz le réservoir d'essence à l'aide d'une pompe aspirante.



ATTENTION : Ne purgez pas l'essence dans une pièce fermée, à proximité immédiate d'une flamme, etc. Ne fumez pas ! Les vapeurs d'essence peuvent provoquer une explosion ou un incendie.

- b) Démarrez le moteur et laissez-le tourner jusqu'à ce qu'il ait brûlé toute l'essence et qu'il cale.
- c) Retirez la bougie. À l'aide d'une burette d'huile, versez environ 20 ml d'huile dans la chambre de combustion. Actionnez le démarreur pour répartir uniformément l'huile dans la chambre de combustion. Remplacez la bougie.
2. Nettoyez et graissez soigneusement la tondeuse, comme décrit ci-dessus dans la section « INSTRUCTIONS DE LUBRIFICATION ».
3. Pour éviter la corrosion, graissez légèrement la lame.
4. Rangez la tondeuse dans un lieu sec, propre, à l'abri du gel et hors de portée des personnes non autorisées.



ATTENTION : Avant de ranger la tondeuse, veillez à ce que le moteur ait complètement refroidi.



REMARQUE :

- Lorsque vous rangez un appareil dans un lieu mal ventilé ou dans une remise ;
- vous devez enduire l'appareil d'anti-rouille. Recouvrez l'équipement, et particulièrement ses câbles et pièces mobiles, d'une couche d'huile à faible viscosité ou de silicone.
- Faites attention à ne pas plier ou pincer les câbles.
- Si le câble du démarreur se débranche du guide câble du guidon, débranchez le câble de la bougie d'allumage et posez-le sur le sol, appuyez sur le guidon d'arrêt et sortez doucement le câble du

démarreur du moteur. Faites glisser le câble du démarreur dans le boulon du guide câble du guidon.

Transport

Coupez le moteur. Veillez à ne pas plier ni endommager la lame lorsque vous poussez la tondeuse sur des obstacles.

12. DÉPANNAGE

PROBLÈME	CAUSE POSSIBLE	ACTION CORRECTRICE
Le moteur ne démarre pas.	La cale du papillon des gaz n'est pas dans la position adaptée aux conditions.	Mettez-la dans la bonne position.
	Le réservoir de carburant est vide.	Remplissez le réservoir de carburant : consultez le MANUEL DE L'UTILISATEUR DU MOTEUR.
	L'élément du filtre à air est encrassé.	Nettoyez l'élément du filtre à air : consultez le MANUEL DE L'UTILISATEUR DU MOTEUR.
	La bougie d'allumage est desserrée.	Resserrez-la selon un couple compris entre 25 et 30 Nm.
	Le câble de la bougie d'allumage est desserré ou débranché.	Remontez-le sur la bougie d'allumage.
	L'espace de la bougie d'allumage est incorrect.	Réglez l'espace entre les électrodes afin qu'il soit compris entre 0,7 et 0,8 mm.
	La bougie d'allumage est défectueuse.	Installez une nouvelle bougie, en respectant l'espace préconisé : consultez le MANUEL DE L'UTILISATEUR DU MOTEUR.
	Le carburateur est noyé.	Retirez l'élément du filtre à air et tirez plusieurs fois sur le câble du démarreur jusqu'à ce que le carburateur se vide, puis remontez l'élément du filtre à air.
Le moteur a du mal à démarrer ou perd de la puissance.	Le réservoir de carburant est encrassé, éventé ou de l'eau s'y trouve.	Purgez le carburant et nettoyez le réservoir. Refaites le niveau avec du carburant propre.
	L'échappement du capuchon du réservoir de carburant est branché.	Nettoyez le capuchon du réservoir de carburant ou remplacez-le.
	L'élément du filtre à air est encrassé.	Nettoyez l'élément du filtre à air.
Le moteur fonctionne mal.	La bougie d'allumage est défectueuse.	Installez une nouvelle bougie, en respectant l'espace préconisé : consultez le MANUEL DE L'UTILISATEUR DU MOTEUR.
	L'espace de la bougie d'allumage est incorrect.	Réglez l'espace entre les électrodes afin qu'il soit compris entre 0,7 et 0,8 mm.
	L'élément du filtre à air est encrassé.	Nettoyez-le : consultez le MANUEL DE L'UTILISATEUR DU MOTEUR.
Mauvais ralenti du moteur.	L'élément du filtre à air est encrassé.	Nettoyez-le : consultez le MANUEL DE L'UTILISATEUR DU MOTEUR.
	Les fentes d'aération du flasque du moteur sont obstruées.	Débarrassez les fentes des débris.
	Les ailettes de refroidissement et passages d'air situés sous le ventilateur du moteur sont bloqués.	Débarrassez-les des éléments qui les bloquent.
À grande vitesse, le moteur tressaute.	L'espace entre les électrodes des bougies est trop étroit.	Réglez l'espace entre les électrodes afin qu'il soit compris entre 0,7 et 0,8 mm.
Le moteur surchauffe.	Le flux d'air de refroidissement est restreint.	Retirez les éventuels débris se trouvant dans les fentes du flasque, du boîtier du ventilateur et des passages d'air.
	Mauvaise bougie d'allumage.	Pour les modèles PLM4630/PLM4631 : Montez une bougie d'allumage et des ailettes de refroidissement RJ19LMC sur le moteur. Pour les modèles PLM4632/PLM5130 : Montez une bougie d'allumage et des ailettes de refroidissement QC12YC sur le moteur.
La tondeuse tremble anormalement.	L'ensemble de coupe est lâche.	Resserrez la lame.
	L'ensemble de coupe est déséquilibré.	Équilibrez la lame.

13. ENVIRONNEMENT

Si votre machine doit être remplacée après une utilisation prolongée, ne la jetez pas avec les ordures ménagères mais mettez-la au rebut dans le respect de l'environnement.

Pour les pays d'Europe uniquement

Déclaration de conformité CE

Nous, Makita Corporation, en tant que fabricant responsable, déclarons que la ou les machines

Makita suivantes :

Nom de la machine : Tondeuse Thermique
N° de modèle/Type : PLM4630, PLM4631, PLM4632, PLM5130

Spécifications : Voir « 4. CARACTÉRISTIQUES TECHNIQUES » sont produites en série et

sont conformes aux directives européennes suivantes :

2004/108/CE, 2006/42/CE,

2000/14/CE, 2005/88/CE

et sont produites conformément aux normes ou documents de normalisation suivants :

EN 836, EN ISO 14982

La documentation technique est disponible auprès de :

Makita International Europe Ltd.,

Technical Department,

Michigan Drive, Tongwell,

Milton Keynes, Bucks MK15 8JD, Angleterre

La procédure d'évaluation de la conformité requise par la directive 2000/14/CE est conforme à l'annexe VI.

Organisme notifié :

TÜV SÜD Industrie Service GmbH

Westendstraße 199, D-80686 München

Numéro d'identification : 0036

Modèle : PLM4630, PLM4631

Niveau de puissance sonore mesurée : 94,2 dB (A)

Niveau de puissance sonore garantie : 96 dB (A)

Modèle : PLM4632

Niveau de puissance sonore mesurée : 94,3 dB (A)

Niveau de puissance sonore garantie : 96 dB (A)

Modèle : PLM5130

Niveau de puissance sonore mesurée : 95,9 dB (A)

Niveau de puissance sonore garantie : 98 dB (A)

30. 11. 2012



Tomoyasu Kato

Directeur

Makita Corporation

3-11-8, Sumiyoshi-cho,

Anjo, Aichi, 446-8502, JAPAN

Erklärung der Gesamtdarstellung

- | | | |
|--------------------------------|--|----------------------------|
| 1. Bremsregelgriff | 12. Seitliche Klappe | 22. Schraube |
| 2. Oberer Griff | 13. Deck | 23. Unterlegscheibe |
| 3. Selbstfahrgriff | 14. Zündkerze | 24. Sicherungsknauf |
| 4. Gashebel | 15. Öldeckel | 25. Sicherungsmutter |
| 5. Startergriff | 16. Tankdeckel | 26. Winkelanpassungsgelenk |
| 6. Seilführung | 17. Kabelklemme | 27. Taste |
| 7. Arretierhebel | 18. Kabel-Haltering | 28. Öldeckel/Messtab |
| 8. Unterer Griff | 19. Hebel für
Geschwindigkeitseinstellung | 29. Max: Oberes Limit |
| 9. Grasfänger | 20. Mulchkeil | 30. Min: Unteres Limit |
| 10. Hebel für Höheneinstellung | 21. Füllstandsanzeige | 31. Schraube |
| 11. Seitlicher Auswurfkanal | | |



WARNUNG:

Lesen Sie zu Ihrer eigenen Sicherheit dieses Handbuch vor der Aufnahme des Betriebs Ihres neuen Geräts durch. Werden die folgenden Anweisungen nicht befolgt, besteht die Gefahr schwerer Verletzungen. Nehmen Sie sich vor jeder Verwendung ein wenig Zeit, sich mit Ihrem Mäher vertraut zu machen.

1. SYMBOLE AM PRODUKT



Lesen Sie die Bedienungsanleitung.



Halten Sie umstehende Personen fern.



Achten Sie beim Bedienen vor allem auf Ihre Hände und Füße, um Verletzungen zu vermeiden.



Kraftstoffe sind brennbar. Kein Feuer. Füllen Sie Kraftstoff nicht bei laufendem Motor nach.



Giftige Dämpfe. Kein Betrieb im Innenbereich.



Tragen Sie beim Mähen zu Ihrem eigenen Schutz Schutzbrille und Ohrstöpsel.



Ziehen Sie vor Reparaturarbeiten die Zündkerze heraus und nehmen Sie anschließend die Reparatur anhand der Bedienungsanleitung vor.



Achtung: Motor ist heiß.

2. ALLGEMEINE SICHERHEITSGESETZE



WARNUNG: Bei der Verwendung von Benzinwerkzeugen müssen Sie stets grundlegende Sicherheitsmaßnahmen befolgen, einschließlich der folgenden, um das Risiko von schweren Verletzungen und/oder Schäden am Gerät zu verringern. Lesen Sie vor der Inbetriebnahme dieses Produkts alle Anweisungen durch, und bewahren Sie diese zum späteren Nachschlagen auf.



WARNUNG: Während des Betriebs erzeugt diese Maschine ein elektromagnetisches Feld. Unter bestimmten Umständen kann dieses Feld Auswirkungen auf aktive oder passive medizinische Implantate haben. Zur Verminderung der Gefahr ernsthafter oder tödlicher Verletzungen empfehlen wir Personen mit medizinischen Implantaten, sich vor der Bedienung dieses Geräts an einen Arzt oder den Hersteller des medizinischen Implantats zu wenden.

Einarbeitung

- Lesen Sie alle Anweisungen aufmerksam durch. Machen Sie sich mit der Bedienung und der ordnungsgemäßen Verwendung des Mähers vertraut.
- Erlauben Sie Kindern und Personen, die diese Anleitungen nicht kennen, niemals den Gebrauch des Rasenmähers. Das Mindestalter für den Bediener kann durch geltende Gesetze und Bestimmungen geregelt sein.
- Mähen Sie niemals, wenn Personen, vor allem Kinder, oder Haustiere in der Nähe sind.

- Beachten Sie, dass der Bediener für Unfälle mit oder Gefahren für andere Personen oder deren Eigentum verantwortlich ist.

Vorbereitung

- Tragen Sie während des Mähens stets festes Schuhwerk und lange Hosen. Arbeiten Sie nicht barfuß oder mit offenen Sandalen.
- Überprüfen Sie sorgfältig das zu mähende Gelände und entfernen Sie alle Gegenstände, die von dem Mäher weggeschleudert werden können.
- **WARNUNG:** Benzin ist leicht entzündlich.
 - Lagern Sie Benzin ausschließlich in dafür vorgesehenen Kanistern.
 - Füllen Sie Benzin nur im Freien nach und rauchen Sie nicht dabei.
 - Füllen Sie Benzin vor dem Starten des Motors nach. Entfernen Sie niemals den Tankdeckel und füllen Sie Benzin nach, wenn der Motor läuft oder heiß ist.
 - Falls Benzin ausläuft, starten Sie den Motor nicht, sondern bewegen Sie den Mäher aus diesem Bereich heraus und vermeiden Sie strengstens jede Art von Zündung, bis der Benzindampf verfliegen ist.
 - Setzen Sie alle Deckel für den Benzintank und Kanister wieder fest auf.
- Tauschen Sie defekte Schalldämpfer aus.
- Führen Sie vor jedem Gebrauch eine Sichtprüfung der Schneidklingen, Schrauben und Schnitteinheit auf Verschleiß und Beschädigungen durch. Tauschen Sie verschlissene oder beschädigte Schneidklingen und Schrauben nur satzweise aus, um eine Unwucht zu vermeiden.

Betrieb

- Betreiben Sie den Motor nicht in Innenräumen, wo sich gefährliches Kohlenmonoxid ansammeln kann.
- Mähen Sie ausschließlich bei Tageslicht oder ausreichendem Kunstlicht.
- Vermeiden Sie, wenn möglich, den Betrieb des Mähers in feuchtem Gras.
- Achten Sie auch an Hängen immer auf einen sicheren Stand.
- Gehen Sie beim Mähen, rennen Sie niemals beim Mähen.
- Mähen Sie bei Walzenmähern quer zum Hang, niemals nach oben und unten.
- Seien Sie besonders vorsichtig, wenn Sie die Richtung am Hang ändern.
- Mähen Sie nicht an Hängen mit übermäßiger Neigung.
- Seien Sie besonders vorsichtig, wenn Sie den Mäher wenden oder zu sich heranziehen.
- Stoppen Sie die Schneidklinge(n), wenn der Mäher beim Transport geneigt werden muss, z. B. beim Überqueren von Flächen, die kein Rasen sind, oder beim Transport von und zum zu mähenden Gelände.
- Verwenden Sie den Mäher niemals mit defekten oder fehlenden Schutzvorrichtungen, beispielsweise ohne Schutzbleche und/oder Grasfänger.
- Ändern Sie niemals die Einstellung des Dieselmotorreglers oder überlasten Sie den Motor nicht.
- Kuppeln Sie alle Schneidklingen und Antriebskupplungen aus, bevor Sie den Motor starten.

- Starten Sie den Motor vorsichtig entsprechend den Anweisungen und mit ausreichendem Abstand zwischen Füßen und Schneidklingen.
- Kippen Sie den Rasenmäher nicht, wenn Sie den Motor starten.
- Starten Sie den Motor nicht, wenn Sie vor der Auswurföffnung stehen.
- Halten Sie weder Hände noch Füße in die Nähe oder unter rotierende Teile. Achten Sie jederzeit auf ausreichenden Abstand zur Auswurföffnung.
- Heben oder tragen Sie einen Rasenmäher niemals mit laufendem Motor.
- Stoppen Sie in folgenden Situationen den Motor und ziehen Sie das Zündkerzenkabel ab. Vergewissern Sie sich, dass alle sich bewegendenden Teile zum völligen Stillstand gekommen sind und entfernen Sie, falls vorhanden, den Schlüssel.
 - vor dem Lösen von Blockierung oder Reinigen des Auswurfs;
 - vor dem Prüfen, Reinigen oder Arbeiten am Rasenmäher;
 - nach dem Anschlagen an Fremdkörper. Überprüfen Sie den Rasenmäher auf Beschädigungen und nehmen Sie ggf. Reparaturen vor, bevor Sie den Rasenmäher wieder starten und den Betrieb fortsetzen.
 - falls der Rasenmäher ungewöhnlich zu vibrieren beginnt (sofort überprüfen);
- Stoppen Sie in folgenden Situationen den Motor und ziehen Sie das Zündkerzenkabel ab. Vergewissern Sie sich, dass alle sich bewegendenden Teile zum völligen Stillstand gekommen sind und entfernen Sie, falls vorhanden, den Schlüssel.
 - wenn Sie den Rasenmäher verlassen;
 - vor dem Auftanken.
- Verringern Sie die Gashebeleinstellung, während der Motor aus ist und, falls der Motor mit einem Rückschlagventil ausgestattet ist, leiten Sie das Benzin aus dem Ende des Rasenmähers.

Wartung und Lagerung

- Überprüfen Sie, dass alle Muttern, Bolzen und Schrauben stets festgezogen sind, um sichere Arbeitsbedingungen zu gewährleisten.
- Lagern Sie die Maschine niemals mit Benzin im Tank im Inneren eines Gehäuses, wo Dämpfe an offene Flammen oder Funken gelangen können.
- Lassen Sie den Motor abkühlen, bevor Sie ihn abdecken.
- Zu Minderung der Brandgefahr müssen Sie Motor, Schalldämpfer, Akkufach und Lagerbereich des Benzins frei von Gras, Blättern und übermäßiger Schmiere halten.
- Überprüfen Sie den Grasfänger häufig auf Verschleiß oder Zerstörung.
- Ersetzen Sie verschlissene oder beschädigte Teile zu Ihrer Sicherheit.
- Falls der Benzintank geleert werden muss, sollten Sie dies im Freien tun.



WARNUNG: Berühren Sie niemals eine rotierende Schneidklinge.



WARNUNG: Füllen Sie Benzin in einem gut belüfteten Bereich bei angehaltenem Motor nach.

3. BESCHREIBUNG DER BAUTEILE (Abb. 1, Abb. 2, Abb. 3, Abb. 4)

Einschließlich

A: Schlüssel für Zündkerze

4. TECHNISCHE DATEN

Modell	PLM4630	PLM4631	PLM4632	PLM5130
Motortyp	B&S 675EX-Serie, ReadyStart	B&S 675EX-Serie, ReadyStart	B&S 750EX-Serie, ReadyStart	B&S 750EX-Serie, ReadyStart
Selbstantrieb	Nein	Ja	Ja	Ja
Motor-Hubraum	190 cm ³	190 cm ³	161 cm ³	161 cm ³
Schneidklingenbreite	460 mm	460 mm	460 mm	510 mm
Nenn Drehzahl	2.800 U/min	2.800 U/min	2.800 U/min	2.800 U/min
Volumen Benzintank	1,0 l	1,0 l	1,0 l	1,0 l
Volumen Öltank	0,6 l	0,6 l	0,6 l	0,6 l
Volumen Grasfänger	60 l	60 l	60 l	65 l
Nettogewicht	31,5 kg	34 kg	35 kg	38 kg
Höheneinstellung	20-75 mm, 8 Stufen	20-75 mm, 8 Stufen	20-75 mm, 8 Stufen	20-75 mm, 8 Stufen

	PLM4630	PLM4631	PLM4632	PLM5130
Garantierter Schalldruckpegel an Bedienerposition (gemäß EN ISO 3744, EN ISO 4871)	83,5 dB (A) (K=3 dB (A))	83,5 dB (A) (K=3 dB (A))	83,9 dB (A) (K=3 dB (A))	85,7 dB (A) (K=3 dB (A))
Gemessener Schalleistungspegel	94,2 dB (A) K=1,95 dB (A)	94,2 dB (A) K=1,95 dB (A)	94,3 dB (A) K=1,80 dB (A)	95,9 dB (A) K=2,16 dB (A)
Garantierter Schalleistungspegel (gemäß 2000/14/EG)	96 dB (A)	96 dB (A)	96 dB (A)	98 dB (A)
Vibration (gemäß EN ISO 20643)	6,58 m/s ² K=1,5 m/s ²	6,58 m/s ² K=1,5 m/s ²	7,12 m/s ² K=1,5 m/s ²	6,53 m/s ² K=1,5 m/s ²

5. MONTAGE

5-1 MONTAGE DES KLAPPBAREN GRIFFS

1. Befestigen Sie den unteren Griffholm an der Griffhalterung mit Schraube, Unterlegscheibe und Sicherungsknauf. **(Abb. 5)**
2. Heben Sie die zwei Arretierhebel, um den oberen und unteren Griff zu verbinden. **(Abb. 6)**
3. Drücken Sie den Arretierhebel zu, um die Griffholme in der Betriebsposition zu arretieren. **(Abb. 7)**
4. Passen Sie die Spannung durch Drehen der Sicherungsmutter mit einem passenden Schraubenschlüssel an. **(Abb. 8)**
5. Verlegen Sie das Kabel über dem Griffrohr. Klemmen Sie es in der Mitte des unteren Handgriffs mit der Kabelklemme fest und vergewissern Sie sich, dass das Kabel an der Außenseite des Mähers fixiert ist. **(Abb. 9, Abb. 10)** Andernfalls kann das Kabel beim Öffnen/Schließen der hinteren Abdeckung verklemmen.

5-2 EINSTELLEN AUF GEEIGNETEN WINKEL

- 1) Öffnen Sie den Arretierhebel.

- 2) Durch Drehen des oberen Griffs um das Winkelanpassungsgelenk können Sie die Einstellung des geeigneten Winkels im Bereich zwischen -15° und 15° vornehmen (3 Stufen: -15°/0°/15°) wie in **Abb. 11** dargestellt.
- 3) Drücken Sie den Arretierhebel zu, um den unteren und den oberen Griff zu verbinden.

5-3 MONTIEREN UND ABNEHMEN DES GRASFÄNGERS

1. Einsetzen: Heben Sie die hintere Abdeckung an und haken Sie den Grasfänger hinten am Mäher ein. **(Abb. 12, Abb. 13, Abb. 14)**
2. Entfernen: Heben Sie die hintere Abdeckung an und entfernen Sie den Grasfänger.

5-4 STARTERGRIFF

Bewegen Sie den Startergriff vom Motor zur Seilführung. **(Abb. 15)**

5-5 SCHNITTHÖHE

Drücken Sie den Hebel nach außen, um ihn vom Gestell zu lösen. Bewegen Sie den Hebel vor und zurück, um die Höhe einzustellen. **(Abb. 16 und siehe Ziffern 7-9)**

6. FUNKTION

Diese Rasenmäher können je nach Anwendungszweck von der normalen Funktion umgerüstet werden:

Vom Rasenmäher mit rückseitigem Auswurf in:

1. Mulchmäher oder
2. Mäher mit seitlichem Auswurf.

Was ist Mulchen?

Beim Mulchen wird das Gras in einem einzigen Arbeitsschritt geschnitten, anschließend fein gehäckselt und als natürlicher Dünger wieder auf den Rasen ausgeworfen.

Tipps zum Mulchmähen:

- Stellen Sie den Verschnitt auf max. 2 cm bei einer Grashöhe von 6 cm bis 4 cm.
- Verwenden Sie ein scharfes Schnittmesser.
- Mähen Sie nicht, wenn das Gras feucht ist.
- Stellen Sie die maximale Motordrehzahl ein.
- Bewegen Sie sich nur im Arbeitstempo.
- Reinigen Sie den Mulchkeil, das Gehäuseinnere und das Schnittblatt regelmäßig.

Starten des Betriebs

6-1 Umrüsten zum Mulchmäher



WARNUNG: Nur bei gestopptem Motor und stillstehendem Schnittmesser.

1. Heben Sie die hintere Abdeckung an und entfernen Sie den Grasfänger.
2. Drücken Sie den Mulchkeil in das Deck. Verriegeln Sie den Mulchkeil mit der Taste in der Öffnung am Deck. (**Abb. 17, Abb. 18**)
3. Senken Sie die hintere Abdeckung wieder ab. (**Abb. 19**)
4. Heben Sie die seitliche Klappe an und entfernen Sie den seitlichen Auswurfkanal.

6-2 Rückstellen für das Mähen mit seitlichem Auswurf



Nur bei gestopptem Motor und stillstehendem Schnittmesser!

1. Heben Sie die hintere Abdeckung an und entfernen Sie den Grasfänger.
2. Montieren Sie den Mulchkeil.
3. Heben Sie die seitliche Klappe für den seitlichen Auswurf an. (**Abb. 20**)
4. Montieren Sie die seitliche Auswurfkanal für den seitlichen Auswurf am Aufhängebolzen der seitlichen Klappe. (**Abb. 21**)
5. Senken Sie die seitliche Klappe – die Klappe liegt auf dem seitlichen Auswurfkanal. (**Abb. 22**)

6-3 Mähen mit dem Grasfänger



Nur bei gestopptem Motor und stillstehendem Schnittmesser.

Zum Mähen mit dem Grasfänger entfernen Sie den Mulchkeil und den Auswurfkanal für den seitlichen Auswurf und montieren Sie den Grasfänger.

1. Entfernen des Mulchkeils.
 - Heben Sie die hintere Abdeckung an und entfernen Sie den Mulchkeil.
2. Entfernen des Auswurfkanals für den seitlichen Auswurf.
 - Heben Sie die seitliche Klappe an und entfernen Sie den seitlichen Auswurfkanal.
 - Die seitliche Klappe schließt über eine Feder automatisch die Auswurföffnung am Gehäuse.
 - Reinigen Sie regelmäßig die seitliche Klappe und die Auswurföffnung von Grasresten und festsitzendem Dreck.
3. Montieren des Grasfängers:
 - Einsetzen: Heben Sie die hintere Abdeckung an und haken Sie den Grasfänger hinten am Mäher ein.
 - Entfernen: Heben Sie die hintere Abdeckung an und entfernen Sie den Grasfänger.

7. BEDIENUNGSANWEISUNGEN

7-1 VOR DEM STARTEN

Füllen Sie Benzin und Öl für den Motor nach, wie in dem separaten Motorhandbuch zu Ihrem Mäher aufgeführt.

Lesen Sie alle Anweisungen aufmerksam. (**Abb. 23, Abb. 24, Abb. 25, Abb. 26**)



WARNUNG: Benzin ist leicht entzündlich.

Lagern Sie Benzin ausschließlich in dafür vorgesehenen Kanistern.

Füllen Sie Benzin nur im Freien nach, bevor Sie den Motor starten und rauchen Sie dabei nicht.

Entfernen Sie niemals den Tankdeckel und füllen Sie Benzin nach, wenn der Motor läuft oder heiß ist.

Falls Benzin ausläuft, starten Sie den Motor nicht, sondern bewegen Sie den Mäher aus diesem Bereich heraus und vermeiden Sie strengstens jede Art von Zündung, bis der Benzindampf verfliegen ist.

Setzen Sie alle Deckel für den Benzintank und Kanister wieder fest auf.

Entfernen Sie das Benzin aus dem Tank, bevor Sie den Rasenmäher kippen, um die Schneidklinge zu warten oder Öl abzulassen.



WARNUNG: Tanken Sie niemals in Innenräumen nach, bei laufendem Motor oder bei noch heißen Motor; lassen Sie den Motor mindestens 15 Minuten nach dem Betrieb abkühlen.

7-2 SO STARTEN SIE DEN MOTOR UND SETZEN DIE SCHNEIDKLINGE EIN

1. Der Mäher ist mit einer Gummimanschette über dem Ende der Zündkerze ausgestattet, damit die Metallschlaufe am Ende des Zündkerzenkabels (in der Gummimanschette) sicher über der Metallspitze der Zündkerze befestigt ist.
2. Drehen Sie beim Starten des kalten Motors den Gashebel in die Position "☞". Drehen Sie beim Warmstarten und Betreiben des Motors den Gashebel in die Position "☞". (**Abb. 27**)

- Greifen Sie hinter dem Mäher stehend den Bremsregelgriff und halten Sie ihn gegen den oberen Griff (siehe **Abb. 28**).
 - Greifen Sie den Startergriff und ziehen Sie ihn, wie in **Abb. 28** dargestellt, schnell nach oben. Bringen Sie ihn langsam nach dem Starten des Motors zum Seilführungsbolzen zurück.
- Lassen Sie den Bremsregelgriff los, um den Motor und die Schneidklinge zu stoppen.



Starten Sie den Motor vorsichtig entsprechend den Anweisungen und mit ausreichendem Abstand zwischen Füßen und Schneidklingen.



Kippen Sie den Rasenmäher nicht, wenn Sie den Motor starten. Starten Sie den Mäher auf einer ebenen Fläche ohne hohes Gras oder Hindernisse.



Halten Sie Ihre Hände und Füße von beweglichen Teilen fern. Starten Sie den Motor nicht, wenn Sie vor der Auswurföffnung stehen.

7-3 BEDIENUNG

Halten Sie den Bremsgriff während des Betriebs stets mit beiden Händen fest.

Hinweis: Wenn Sie den Bremsgriff während des Betriebs loslassen, stoppen der Motor und daher auch der Rasenmäher.

7-4 SO STOPPEN SIE DEN MOTOR



ACHTUNG: Nach dem Stoppen des Motors dreht sich die Schneidklinge für einige Sekunden weiter.

- Lassen Sie den Bremsregelgriff los, um den Motor und die Schneidklinge zu stoppen. (**Abb. 29**)
- Ziehen Sie das Zündkerzenkabel ab und erden Sie es, wie in dem separaten Motorhandbuch beschrieben, um ein versehentliches Starten des Motors eines nicht beaufsichtigten Mähers zu verhindern.

7-5 SELBSTFAHREN

Für PLM4631

Greifen Sie den Selbstfahrgriff. Daraufhin bewegt sich der Rasenmäher selbsttätig mit einer Geschwindigkeit von ca. 3,6 km/h (**Abb. 30**), vorwärts; beim Loslassen des Selbstfahrgriffs stoppt der Rasenmäher seine Fahrt.

Für PLM4632, PLM5130

Der Rasenmäher verfügt über die Möglichkeit zum Einstellen der Geschwindigkeit in 3 Stufen von 3,0 km/h bis 4,5 km/h.

Stufe "☁": die langsamste Stufe; Stufe "☁☁": die schnellste Stufe. (**Abb. 31**)

Gehen Sie wie folgt vor:

- Lassen Sie den Selbstfahrgriff los; der Rasenmäher stoppt.
- Stellen Sie die gewünschte Geschwindigkeit ein. (**Abb. 31**)
- Betätigen Sie den Selbstfahrgriff, um weiter zu mähen. (**Abb. 30**)



ACHTUNG: Dieser Rasenmäher ist für das Mähen von in Wohngemeinden üblichem Rasen mit einer Höhe von max. 250 mm vorgesehen. Verwenden Sie diesen Rasenmäher nicht zum Mähen von ungewöhnlich hohem und trockenem oder feuchtem Gras (z. B. von Weidewiesen) oder zum Mähen durch Laubhaufen. Anderenfalls kann es zum Anstauen von Gras und Laub am Mähwerk kommen oder Gras und Laub können mit dem Auspuff in Kontakt kommen und sich entzünden.

7-6 FÜR BESTE ERGEBNISSE BEIM MÄHEN

Entfernen Sie Fremdkörper vom Rasen. Vergewissern Sie sich, dass keine Steine, Stöcke, Kabel oder Fremdkörper auf dem Rasen herumliegen, die versehentlich vom Mäher in eine beliebige Richtung herausgeschleudert werden und schwere Verletzungen des Bedieners oder anderer Personen oder Sachschäden verursachen könnten. Mähen Sie kein feuchtes Gras. Mähen Sie für ein effektives Mähen kein feuchtes Gras, da dies zum Klumpen an der Deckunterseite neigt und ein richtiges Mähen des Grasschnitts verhindert. Schneiden Sie nicht mehr als 1/3 der Grashöhe ab. Für das Mähen wird das Abmähen von 1/3 der Grashöhe empfohlen. Die Vorschubgeschwindigkeit muss so angepasst werden, dass der Grasschnitt gleichmäßig auf den Rasen ausgeworfen werden kann. Vor allem beim Schneiden von dickem Gras wird eine der langsamsten Geschwindigkeiten genutzt werden müssen, um einen sauberen, gut gemähten Schnitt zu erhalten. Beim Mähen von langem Gras müssen Sie den Rasen möglicherweise in zwei Durchgängen mähen; mähen Sie im ersten Durchgang 1/3 der Grashöhe ab und im zweiten Durchgang ein weiteres Drittel und möglicherweise in einem anderen Verlaufsmuster. Durch leichtes Überlappen jedes Durchgangs können Sie alle vereinzelt, auf dem Rasen verbliebenen Schnitte bereinigen. Der Mäher sollte stets bei Vollgas betrieben werden, um den besten Schnitt zu erhalten und ein effektives Mähen zu erreichen. Reinigen Sie die Deckunterseite. Reinigen Sie nach jeder Verwendung die Schneiddeckunterseite, um die Ansammlung von Gras zu vermeiden, wodurch ein ordentliches Mulchen verhindert werden könnte. Mähen von Blättern: Das Mähen von Blättern kann für Ihren Rasen auch von Vorteil sein. Vergewissern Sie sich vor dem Mähen von Blättern, dass diese trocken sind und nicht zu dick auf dem Rasen liegen. Warten Sie nicht, bis alle Blätter von den Bäumen gefallen sind, bevor Sie mähen.



WARNUNG: Falls der Mäher auf einen Fremdkörper schlägt, stoppen Sie den Motor. Ziehen Sie das Kabel von der Zündkerze, überprüfen Sie den Mäher gründlich auf Beschädigungen und reparieren Sie Schäden, bevor Sie den Mäher neu starten und weiter betreiben. Übermäßige Vibrationen des Mähers während des Betriebs sind Anzeichen eines Schadens. Der Mäher sollte umgehend überprüft und repariert werden.

7-7 GRASFÄNGER

An der Oberseite des Grasfängers ist eine Füllstandsanzeige angebracht, die Ihnen zeigt, ob der Fänger leer oder voll ist (**Abb. 32, Abb. 33**):

- Die Füllstandsanzeige wird durch Luft nach oben gedrückt, wenn der Fänger während des Mähens noch nicht voll ist. (**Abb. 33**)
- Wenn der Fänger voll ist, klappt die Anzeige nach unten; wenn dies geschieht, unterbrechen Sie sofort den Mähvorgang und leeren Sie den Fänger. Stellen Sie sicher, dass er sauber ist und dass Luft durch das Maschenwerk gelangt. (**Abb. 32**)

WICHTIG

Wenn die Öffnungen an der Anzeige stark verschmutzt sind, wird die Anzeige nicht nach oben gedrückt. Reinigen Sie in diesem Fall sofort die Öffnungen an der Anzeige.

7-8 DECK

Die Unterseite des Mähwerks muss nach jeder Verwendung gereinigt werden, um ein Ansammeln von Grasschnitt, Blättern, Schmutz oder anderen Materialien zu verhindern. Falls sich Fremdkörper ansammeln können, wird Rost und Korrosion begünstigt und ein ordentliches Mulchen möglicherweise verhindert. Möglicherweise müssen Sie zum Reinigen des Decks den Mäher kippen und mit einem geeigneten Werkzeug sauber kratzen. (Ziehen Sie auf jeden Fall das Zündkerzenkabel ab).

7-9 ANLEITUNGEN ZUR HÖHENEINSTELLUNG



ACHTUNG: Nehmen Sie niemals Einstellungen am Rasenmäher vor, ohne dass Sie zuerst den Motor gestoppt und das Zündkerzenkabel abgezogen haben.



ACHTUNG: Stoppen Sie den Mäher und ziehen Sie das Zündkerzenkabel ab, bevor Sie die Schnitthöhe ändern.

Ihr Rasenmäher ist mit einem zentralen Höheneinstellungshebel ausgestattet, über den Sie 8 Höhenpositionen einstellen können.

Die Höhe (der Schneidklinge über dem Boden) kann zwischen 20 mm und 75 mm eingestellt werden (8 Höhenstufen). (**Abb. 34**)

Die niedrigste Stufe: 20 mm (Stufe 1), die höchste Stufe: 75 mm (Stufe 8).

1. Stoppen Sie den Mäher und ziehen Sie das Zündkerzenkabel ab, bevor Sie die Schnitthöhe ändern.
2. Der zentrale Höheneinstellungshebel bietet 8 verschiedene Höhenpositionen. (**Abb. 34**)

Zum Ändern der Schnitthöhe drücken Sie den Einstellungshebel in Richtung Rad und bewegen Sie diesen nach oben oder unten auf die gewünschte Höhe.

8. WARTUNGSANWEISUNGEN

ZÜNDKERZE

Verwenden Sie für die Zündkerze nur originale Ersatzteile. Tauschen Sie für beste Ergebnisse die Zündkerze alle 100 Betriebsstunden aus.

9. SCHMIERUNGSANWEISUNGEN



ACHTUNG: TRENNEN SIE VOR WARTUNGSARBEITEN DIE ZÜNDKERZE AB.

1. RÄDER: Schmieren Sie die Kugellager in jedem Rad mindestens 1x in der Saison mit einem Leichtöl.
2. MOTOR: Halten Sie sich an die Schmierungsanweisungen im Motorhandbuch.

10. REINIGEN



ACHTUNG: Spritzen Sie den Motor nicht ab. Wasser kann den Motor beschädigen und das Kraftstoffsystem verunreinigen.

1. Reiben Sie das Deck mit einem trockenen Tuch ab.
2. Spritzen Sie unter das Mähwerk, indem Sie den Mäher so kippen, dass die Zündkerze oben ist.

10-1 MOTORENLUFTREINIGER



ACHTUNG: Erlauben Sie nicht, dass Dreck und Schmutz den Luftfilter verstopfen. Das Luftreinigererelement des Motors muss nach 25 Stunden normalen Mähens gereinigt werden. Das Schaumstoffelement muss regelmäßig gereinigt werden, wenn der Mäher in trockenen und staubigen Bedingungen verwendet wird.

SO REINIGEN SIE DEN LUFTFILTER

1. Entfernen Sie die Schraube. (**Abb. 35** für PLM4632 und PLM5130)
2. Nehmen Sie den Sicherungsknauf heraus. (**Abb. 36** für PLM4630 und PLM4631)
3. Entfernen Sie die Filterkappe.
4. Waschen Sie das Filterelement in Seifenwasser. **VERWENDEN SIE KEIN BENZIN!**
5. Lassen Sie das Luftreinigungselement an der Luft trocknen.
6. Geben Sie einige Tropfen SAE30-Öl auf den Schaumfilter und quetschen Sie überschüssiges Öl aus.
7. Setzen Sie den Filter wieder ein.

HINWEIS: Tauschen Sie den Filter aus, falls dieser ausgefranst, verschlissen, beschädigt oder nicht zu reinigen ist.

10-2 SCHNEIDKLINGE



ACHTUNG: Trennen und erten Sie auf jeden Fall das Zündkerzenkabel, bevor Sie an der Schneidklinge arbeiten, um ein versehentliches Starten des Motors zu verhindern. Schützen Sie Ihre Hände mit Handschuhen oder einem Lappen, wenn Sie die

Schneidklingen anfasen. Kippen Sie den Mäher, wie in dem separaten Motorhandbuch angegeben. Entfernen Sie die Sechskantschraube und die Unterlegscheibe, welche die Schneidklinge und den Schneidklingenadapter auf der Motorwelle halten. Entfernen Sie die Schneidklinge und den Adapter von der Welle.



WARNUNG: Überprüfen Sie regelmäßig den Schneidklingenadapter auf Risse, vor allem, wenn Sie einen Fremdkörper gestreift haben. Tauschen Sie bei Bedarf aus.

Für beste Ergebnisse sollte die Schneidklinge scharf sein. Sie können die Klinge nachschärfen. Entfernen Sie sie dazu und schleifen oder feilen Sie die Schnittkante so nah wie möglich an der originalen Abfassung nach. Es ist extrem wichtig, dass jede Schnittkante gleichmäßig abgetragen wird, um eine Schneidklingenunwucht zu vermeiden. Eine Schneidklingenunwucht führt zu übermäßigen Schwingungen und eventueller Beschädigung von Motor und Mäher. Wuchten Sie die Schneidklinge nach dem Schärfen sorgfältig aus. Balancieren Sie die Schneidklinge dafür auf dem runden Teil eines Schraubendrehers. Entfernen Sie Material von der schwereren Seite, bis die Schneidklinge in der Balance ist. (Abb. 37)

Schmieren Sie vor der Wiedermontage der Schneidklinge und des Schneidklingenadapters die Motorwelle und die Innenfläche des Schneidklingenadapters mit Leichtöl. Setzen Sie den Schneidklingenadapter auf die Welle. Siehe Abb. 37. Setzen Sie die Schneidklinge mit der Teilenummer weg vom Adapter zeigend auf. Richten Sie die Unterlegscheibe über der Schneidklinge aus und setzen Sie die Sechskantschraube auf. Ziehen Sie die Sechskantschraube mit dem angegebenen Drehmoment an.

10-3 MONTAGEDREHMOMENT FÜR DIE SCHNEIDKLINGE

Ziehen Sie für einen sicheren Betrieb die Mittelschraube mit 40 Nm - 50 Nm fest. Prüfen Sie alle Muttern und Schrauben regelmäßig auf festen Sitz.

Nach einer längeren Verwendung, vor allem bei sandigen Böden, verschleißt die Schneidklinge und verliert ihre ursprüngliche Schärfe. Ein effizientes Mähen wird vermindert und die Klinge muss ausgetauscht werden. Verwenden Sie als Austausch ausschließlich eine genehmigte Ersatzschneidklinge. Mögliche Schäden aufgrund einer Schneidklingenunwucht liegen nicht in der Verantwortlichkeit des Herstellers.

Wenn Sie die Klinge tauschen, müssen Sie den auf der Klinge angegebenen Originaltyp wieder verwenden (MAKITA 263001451 für PLM4630/PLM4631/PLM4632, MAKITA 263002552 für PLM5130) (für die Bestellung der Klinge wenden Sie sich an Ihren Händler vor Ort oder kontaktieren Sie uns telefonisch, siehe Deckblatt).

10-4 MOTOR

Schlagen Sie im separaten Motorhandbuch die Wartungsanweisungen für den Motor nach.

Wechseln Sie das Motoröl wie in dem separaten Motorhandbuch zu Ihrem Mäher aufgeführt. Lesen Sie alle Anweisungen aufmerksam durch und befolgen Sie diese.

Warten Sie den Luftreiniger unter normalen Bedingungen, wie im separaten Motorhandbuch angegeben. Reinigen Sie diese unter extrem staubigen Bedingungen alle paar Stunden. Schlechte Motorleistung und Absaufen weisen gewöhnlich auf eine fällige Wartung des Luftreinigers hin.

Warten Sie den Luftreiniger wie in dem separaten Motorhandbuch zu Ihrem Mäher aufgeführt.

Die Zündkerze muss sauber sein und der Abstand sollte 1x pro Saison eingestellt werden. Ein Austausch der Zündkerze wird zu Beginn jeder Mähensaison empfohlen. Den korrekten Steckertyp und die Abstandsdaten finden Sie im Motorhandbuch.

Reinigen Sie den Motor regelmäßig mit einem Tuch oder einer Bürste. Halten Sie das Kühlsystem (Bereich des Gebläsegehäuses) sauber, um die richtige Luftzirkulation zu gewährleisten, die für die Leistung und die Lebenszeit des Motors wichtig ist. Entfernen Sie Gras, Schmutz und entflammare Fremdkörper aus dem Schalldämpferbereich.

11. LAGERUNGSANWEISUNGEN (AUSSERHALB DER SAISON)

Die folgenden Schritte sollten unternommen werden, um den Rasenmäher auf eine Lagerung vorzubereiten.

1. Leeren Sie den Tank nach dem letzten Mähen der Saison.
- a) Leeren Sie den Benzintank mit einer Ansaugpumpe.



ACHTUNG: Lassen Sie das Benzin nicht in geschlossenen Räumen, in unmittelbarer Nähe von Feuer usw. ab. Rauchen Sie nicht! Benzindämpfe können zu einer Explosion oder einem Brand führen.

- b) Starten Sie den Motor und lassen Sie ihn laufen, bis alles verbliebene Benzin verbraucht ist und er stehen bleibt.
- c) Entfernen Sie die Zündkerze Füllen Sie mit einer Ölkanne ca. 20 ml Öl in die Brennkammer. Betätigen Sie den Starter, um das Öl gleichmäßig in der Brennkammer zu verteilen. Setzen Sie die Zündkerze wieder ein.
2. Reinigen und schmieren Sie den Rasenmäher sorgfältig, wie unter „SCHMIERUNGSANWEISUNGEN“ beschrieben.
3. Schmieren Sie die Schneidfläche zur Vermeidung von Korrosion leicht ein.
4. Bewahren Sie den Rasenmäher in einem trockenen, sauberen und frostgeschützten Raum außerhalb der Reichweite von unautorisierten Personen auf.



ACHTUNG: Der Motor muss vor der Lagerung des Rasenmähers völlig abgekühlt sein.



HINWEIS:

- Wenn Antriebsaggregate jeglichen Typs in einem unbelüfteten oder Materiallagerhaus gelagert werden.
- Achten Sie auf einen Rostschutz der Maschine. Tragen Sie ein Leichtöl oder Silikon auf die Maschine auf, vor allem auf Kabel und alle sich bewegenden Teile.

- Achten Sie darauf, Kabel nicht zu biegen oder zu knicken.
- Falls das Starterseil von der Seilführung am Griff abgetrennt wird, ziehen Sie das Zündkerzenkabel ab und erden Sie es. Drücken Sie den Schneidklingenregelgriff und ziehen Sie das Starterseil langsam aus dem Motor. Schieben Sie das Starterseil in den Seilführungsbolzen am Griff.

Transport

Schalten Sie den Motor aus. Stellen Sie beim Schieben des Rasenmähers über Hindernisse sicher, dass die Klinge nicht verbogen oder beschädigt wird.

12. PROBLEMBEHEBUNG

PROBLEM	MÖGLICHE URSACHE	KORREKTURMASSNAHME
Motor startet nicht.	Gashebel nicht in der richtigen Position für die vorherrschenden Bedingungen.	Bewegen Sie den Gashebel in die richtige Position.
	Benzintank ist leer.	Füllen Sie den Tank mit Kraftstoff: siehe MOTOR-BETRIEBSANLEITUNG.
	Luftreinigungselement ist verschmutzt.	Reinigen Sie das Reinigungselement: siehe MOTOR-BETRIEBSANLEITUNG.
	Zündkerze ist lose.	Ziehen Sie die Zündkerze mit 25 bis 30 Nm fest.
	Zündkerzenkabel ist lose oder vom Stecker abgetrennt.	Bringen Sie das Zündkerzenkabel an der Zündkerze an.
	Abstand der Zündkerze ist nicht korrekt.	Stellen Sie den Abstand zwischen den Elektroden auf 0,7 bis 0,8 mm ein.
	Zündkerze ist defekt.	Installieren Sie eine neue Zündkerze mit korrektem Abstand: siehe MOTOR-BETRIEBSANLEITUNG.
	Vergaser ist mit Benzin abgesoffen.	Entfernen Sie das Luftreinigungselement und ziehen Sie das Starterseil kontinuierlich, bis der Vergaser sich selbst leert und setzen Sie das Luftreinigungselement wieder ein.
	Defektes Zündungsmodul.	Wenden Sie sich an den Kundendienst.
Motor kann nur schwierig gestartet werden oder verliert an Leistung.	Schmutz, Wasser oder abgestandenes Benzin im Tank.	Lassen Sie das Benzin ab und reinigen Sie den Tank. Füllen Sie sauberes und frisches Benzin nach.
	Belüftungsloch im Benzintankdeckel ist verstopft.	Reinigen Sie den Tankdeckel oder ersetzen Sie ihn.
	Luftreinigungselement ist verschmutzt.	Reinigen Sie das Luftreinigungselement.
Motor läuft unstet.	Zündkerze ist defekt.	Installieren Sie eine neue Zündkerze mit korrektem Abstand: siehe MOTOR-BETRIEBSANLEITUNG.
	Abstand der Zündkerze ist nicht korrekt.	Stellen Sie den Abstand zwischen den Elektroden auf 0,7 bis 0,8 mm ein.
	Luftreinigungselement ist verschmutzt.	Reinigen Sie das Reinigungselement: siehe MOTOR-BETRIEBSANLEITUNG.
Motorleerlauf zu gering.	Luftreinigungselement ist verschmutzt.	Reinigen Sie das Reinigungselement: siehe MOTOR-BETRIEBSANLEITUNG.
	Luftschlitze in Motorabdeckung sind blockiert.	Entfernen Sie Fremdkörper aus den Schlitzen.
	Kühlamellen und Luftdurchgänge unter dem Gebläsegehäuse des Motors sind blockiert.	Entfernen Sie die Fremdkörper aus den Kühlamellen und Luftdurchgängen.
Motor setzt bei hoher Drehzahl aus.	Abstand zwischen Elektroden der Zündkerze ist zu eng.	Stellen Sie den Abstand zwischen den Elektroden auf 0,7 bis 0,8 mm ein.
Motor überhitzt.	Kühlluftstrom ist eingeschränkt.	Entfernen Sie alle Fremdkörper aus den Schlitzen in der Abdeckung, Gebläsegehäuse und Luftdurchgängen.
	Fehlerhafte Zündkerze.	Für PLM4630/PLM4631: Bauen Sie einen Zündkerzenstecker RJ19LMC und Kühlamellen am Motor ein. Für PLM4632/PLM5130: Bauen Sie eine QC12YC-Zündkerze und Kühlamellen am Motor ein.
Mäher vibriert abnormal.	Schnittbaugruppe ist lose.	Ziehen Sie die Schneidklinge fest.
	Schnittbaugruppe ist nicht ausgewuchtet.	Wuchten Sie die Schneidklinge aus.

13. UMWELT

Sollte Ihre Maschine nach langem Gebrauch ausgetauscht werden, geben Sie diese nicht zum Hausmüll, sondern entsorgen Sie sie umweltfreundlich und sicher.

Nur für europäische Länder

EG-Konformitätserklärung

Wir, Makita Corporation als verantwortlicher

Hersteller, erklären, dass die folgende(n) Maschine(n) der Marke Makita:

Bezeichnung der Maschine(n): Benzin-Rasenmäher

Nummer/Typ des Modells: PLM4630, PLM4631,

PLM4632, PLM5130

Technische Daten: Siehe „4. TECHNISCHE DATEN“ in Serienfertigung hergestellt wird/werden und

den folgenden Richtlinien der Europäischen Union genügt/genügen:

2004/108/EG, 2006/42/EG

2000/14/EG, 2005/88/EG

Außerdem werden die Geräte gemäß den folgenden Standards oder Normen gefertigt:

EN 836, EN ISO 14982

Die technische Dokumentation erfolgt durch:

Makita International Europe Ltd.,

Technical Department,

Michigan Drive, Tongwell,

Milton Keynes, Bucks MK15 8JD, England

Das Verfahren der Konformitätsbewertung, das in der Richtlinie 2000/14/EG verlangt wird, wurde in Übereinstimmung mit Anhang VI durchgeführt.

Benannte Stelle:

TÜV SÜD Industrie Service GmbH

Westendstraße 199, D-80686 München

Kennnummer der benannten Stelle: 0036

Modell: PLM4630, PLM4631

Gemessener Schalleistungspegel: 94,2 dB (A)

Garantierter Schalleistungspegel: 96 dB (A)

Modell: PLM4632

Gemessener Schalleistungspegel: 94,3 dB (A)

Garantierter Schalleistungspegel: 96 dB (A)

Modell: PLM5130

Gemessener Schalleistungspegel: 95,9 dB (A)

Garantierter Schalleistungspegel: 98 dB (A)

30. 11. 2012



Tomoyasu Kato

Direktor

Makita Corporation

3-11-8, Sumiyoshi-cho,

Anjo, Aichi, 446-8502, JAPAN

Spiegazione della vista generale

- | | | |
|---------------------------------------|--|--|
| 1. Impugnatura di comando del freno | 10. Leva di regolazione in altezza | 22. Bullone |
| 2. Impugnatura superiore | 11. Canale di scarico laterale | 23. Rondella |
| 3. Impugnatura di controllo semovenza | 12. Aletta laterale | 24. Manopola di blocco |
| 4. Leva del dispositivo di avviamento | 13. Corpo | 25. Controdado |
| 5. Impugnatura di avviamento | 14. Candela | 26. Ingranaggio di regolazione dell'angolo |
| 6. Guida della corda | 15. Tappo dell'olio | 27. Pulsante |
| 7. Levetta di blocco | 16. Tappo del serbatoio di carburante | 28. Asta di livello/Tappo dell'olio |
| 8. Impugnatura inferiore | 17. Serracavo | 29. Max: limite superiore |
| 9. Sacco raccogliherba | 18. Anello di fissaggio cavo | 30. Min: limite inferiore |
| | 19. Leva di regolazione della velocità | 31. Vite |
| | 20. Cuneo di pacciamatura | |
| | 21. Indicatore di livello | |



AVVERTENZA:

per ragioni di sicurezza, l'operatore deve leggere il presente manuale prima di azionare la nuova unità. Il mancato rispetto delle istruzioni può condurre a gravi infortuni. Dedicare qualche istante ad acquisire dimestichezza con il rasaerba prima di ogni uso.



Durante la riparazione, togliere la candela e procedere alla riparazione attenendosi al manuale di istruzioni.



Attenzione: il motore è caldo.

1. SIMBOLI SUL PRODOTTO



Consultare il manuale dell'operatore.



Tenere lontani gli astanti.



Prestare particolare attenzione a mani e piedi dell'operatore per evitare infortuni.



Il carburante è infiammabile; conservarlo a distanza di sicurezza dalle fiamme. Non aggiungere carburante quando la macchina è in funzione.



Fumi tossici; non utilizzare al chiuso.



Durante la rasatura, indossare occhiali e tappi per le orecchie a scopo di protezione.

2. NORME GENERALI DI SICUREZZA



AVVERTENZA: durante l'uso di macchine a benzina, è necessario adottare tutte le precauzioni di base per la sicurezza, comprese quelle indicate di seguito, per ridurre il rischio di gravi infortuni e/o danni all'unità. Leggere tutte le istruzioni prima di azionare il prodotto e conservarle per successive consultazioni.



AVVERTENZA: la macchina produce un campo elettromagnetico quando è in uso. In alcune circostanze il campo potrebbe interferire con impianti medicali attivi o passivi. Per ridurre il rischio di incidenti gravi o mortali, si raccomanda alle persone con impianti medicali di consultare il proprio medico e il produttore dell'impianto medicale prima di utilizzare questa macchina.

Addestramento

- Leggere attentamente le istruzioni. Acquisire familiarità con i comandi e con l'uso corretto dell'apparecchiatura.
- Non permettere che il rasaerba venga utilizzato da bambini o da persone che non abbiano dimestichezza con le presenti istruzioni. Le leggi locali possono stabilire un'età minima per l'operatore.
- Non utilizzare il rasaerba in presenza di persone, in particolare bambini, o animali nelle vicinanze.
- L'operatore o l'utilizzatore è responsabile per incidenti o pericoli causati ad altre persone o alle proprietà di queste ultime.

Preparazione

- Durante la rasatura, indossare sempre calzature robuste e pantaloni lunghi. Non utilizzare l'apparecchio a piedi nudi o se si indossano sandali aperti.
- Ispezionare a fondo l'area in cui dovrà essere utilizzata la macchina e rimuovere tutti gli oggetti che potrebbero essere scagliati dalla stessa.
- **AVVERTENZA:** la benzina è altamente infiammabile.
 - Conservare il carburante in contenitori progettati specificamente per questo scopo.
 - Eseguire il rifornimento all'aperto e non fumare durante il rifornimento.
 - Aggiungere il carburante prima di avviare il motore. Non rimuovere il tappo del serbatoio di carburante e non aggiungere benzina mentre il motore è in funzione o se il motore è caldo.
 - In caso di fuoriuscite di benzina, non avviare il motore, ma allontanare la macchina dall'area della fuoriuscita ed evitare di creare fonti di accensione fino alla completa dissipazione dei vapori della benzina.
 - Riapplicare correttamente i tappi del serbatoio di carburante e del contenitore.
- Sostituire le marmitte difettose.
- Prima dell'uso, ispezionare visivamente la macchina per controllare che le lame, i bulloni e il gruppo di taglio non siano usurati o danneggiati. Sostituire le lame e i bulloni usurati o danneggiati in gruppi per mantenere l'equilibratura.

Funzionamento

- Non azionare il motore in uno spazio limitato, dove potrebbero raccogliersi i pericolosi fumi del monossido di carbonio.
- Utilizzare il rasoerba solamente alla luce del giorno o con buona luce artificiale.
- Se possibile, evitare di utilizzare l'apparecchiatura su erba bagnata.
- Accertarsi sempre del proprio punto d'appoggio sui terreni in pendenza.
- Camminare, senza correre.
- Per le macchine dotate di ruote, procedere in senso trasversale al pendio e mai su e giù.
- Prestare la massima attenzione ai cambi di direzione sui pendii.
- Non utilizzare il rasoerba su pendii eccessivamente ripidi.
- Prestare particolare attenzione durante i cambi di direzione o quando si tira il rasoerba verso di sé.
- Fermare la lama (o le lame) se il rasoerba deve essere inclinato per il trasporto, nell'attraversare superfici non erbose e quando il rasoerba viene trasportato da o verso l'area che deve essere tagliata.
- Non azionare mai il rasoerba se le protezioni sono difettose oppure in assenza di dispositivi di sicurezza, ad esempio i deflettori e/o i sacchi raccogliherba.
- Non cambiare le impostazioni di funzionamento del motore e non sovraccaricare il motore.
- Disinnescare la frizione della lama e di azionamento prima di avviare il motore.
- Avviare attentamente il motore, attenendosi alle istruzioni e tenendo i piedi a distanza dalle lame.

- Non inclinare il rasoerba durante l'avviamento del motore.
- Non avviare il motore rimanendo in piedi davanti al convogliatore di scarico.
- Non avvicinare mani e piedi alle parti rotanti o alle aree sottostanti. Rimanere sempre lontani dall'apertura di scarico.
- Non sollevare o trasportare il rasoerba quando il motore è in funzione.
- Spegnerlo il motore e scollegare il filo della candela, assicurarsi che tutte le parti in movimento si siano completamente fermate e, se presente, rimuovere la chiave:
 - prima di rimuovere le ostruzioni o di disintasare il convogliatore;
 - prima di controllare, pulire o lavorare sul rasoerba;
 - dopo aver colpito un corpo estraneo. Verificare eventuali danni sul rasoerba ed effettuare le necessarie riparazioni prima di usare nuovamente la macchina;
 - se il rasoerba inizia a vibrare in modo anomalo (eseguire un controllo immediato).
- Spegnerlo il motore e scollegare il filo della candela, assicurarsi che tutte le parti in movimento si siano completamente fermate e, se presente, rimuovere la chiave:
 - quando si lascia incustodito il rasoerba;
 - prima del rifornimento.
- Ridurre l'impostazione dell'acceleratore durante lo spegnimento del motore e, se il motore è dotato di una valvola di intercettazione, chiudere l'ingresso del carburante alla fine della rasatura.

Manutenzione e conservazione

- Mantenere serrati dadi, bulloni e viti per garantire che l'apparecchiatura sia in condizioni di funzionamento sicure.
- Non conservare un'apparecchiatura il cui serbatoio contenga benzina all'interno di un edificio in cui i fumi possono entrare a contatto con fiamme libere o scintille.
- Attendere il raffreddamento del motore prima di riporre la macchina al chiuso.
- Per ridurre il pericolo di incendi, rimuovere dal motore, dalla marmitta, dal vano batteria e dal serbatoio di benzina eventuali residui di erba, foglie o grasso in eccesso.
- Controllare di frequente il sacco raccogliherba per verificarne l'usura o il deterioramento.
- Sostituire le parti usurate o danneggiate per garantire la sicurezza.
- Se fosse necessario svuotare il serbatoio di carburante, svolgere l'operazione all'aperto.



AVVERTENZA: non toccare le lame in rotazione.



AVVERTENZA: eseguire il rifornimento in un'area ventilata a motore spento.

3. DESCRIZIONE DELLE PARTI (Fig. 1, Fig. 2, Fig. 3, Fig. 4)

Compresi

A: Chiave della candela

4. DATI TECNICI

Modello	PLM4630	PLM4631	PLM4632	PLM5130
Tipo di motore	Serie B&S 675EX, ReadyStart	Serie B&S 675EX, ReadyStart	Serie B&S 750EX, ReadyStart	Serie B&S 750EX, ReadyStart
Semovente	No	Sì	Sì	Sì
Cilindrata del motore	190 cm ³	190 cm ³	161 cm ³	161 cm ³
Larghezza della lama	460 mm	460 mm	460 mm	510 mm
Velocità nominale	2.800/min	2.800/min	2.800/min	2.800/min
Capacità del serbatoio del carburante	1,0 L	1,0 L	1,0 L	1,0 L
Capacità del serbatoio dell'olio	0,6 L	0,6 L	0,6 L	0,6 L
Capacità del sacco raccogliherba	60 L	60 L	60 L	65 L
Peso netto	31,5 kg	34 kg	35 kg	38 kg
Regolazione in altezza	20-75 mm, 8 regolazioni	20-75 mm, 8 regolazioni	20-75 mm, 8 regolazioni	20-75 mm, 8 regolazioni

	PLM4630	PLM4631	PLM4632	PLM5130
Livello di pressione Sonora garantito nella posizione dell'operatore (in base a EN ISO 3744, EN ISO 4871)	83,5 dB (A) (K=3 dB (A))	83,5 dB (A) (K=3 dB (A))	83,9 dB (A) (K=3 dB (A))	85,7 dB (A) (K=3 dB (A))
Livello di potenza sonora misurato	94,2 dB (A) K=1,95 dB (A)	94,2 dB (A) K=1,95 dB (A)	94,3 dB (A) K=1,80 dB (A)	95,9 dB (A) K=2,16 dB (A)
Livello di potenza sonora garantito (in base a 2000/14/EC)	96 dB (A)	96 dB (A)	96 dB (A)	98 dB (A)
Vibrazioni (in base a EN ISO 20643)	6,58 m/s ² K=1,5 m/s ²	6,58 m/s ² K=1,5 m/s ²	7,12 m/s ² K=1,5 m/s ²	6,53 m/s ² K=1,5 m/s ²

5. MONTAGGIO

5-1 MONTAGGIO DELL'IMPUGNATURA RIPIEGABILE

1. Fissare l'impugnatura inferiore al supporto dell'impugnatura mediante bulloni, rondelle e la manopola di blocco. **(Fig. 5)**
2. Sollevare le due levette di blocco per collegare l'impugnatura superiore e inferiore. **(Fig. 6)**
3. Chiudere la levetta di blocco spingendola per bloccare il manubrio nella posizione operativa. **(Fig. 7)**
4. Regolare la tensione ruotando il contro dado con una chiave idonea. **(Fig. 8)**
5. Posizionare il cavo sopra l'albero dell'impugnatura. Fissarlo intorno alla parte centrale dell'impugnatura inferiore utilizzando il serracavi, in modo che il cavo sia fissato intorno all'esterno dell'impugnatura. **(Fig. 9, Fig. 10)** In caso contrario, il cavo potrebbe impigliarsi durante l'apertura o la chiusura del coperchio posteriore.

5-2 REGOLAZIONE DELL'ANGOLAZIONE APPROPRIATA

- 1) Tirare la levetta di blocco per aprirla.
- 2) Ruotare l'impugnatura superiore utilizzando come centro l'ingranaggio di regolazione dell'angolo per ottenere l'angolazione appropriata nell'intervallo da -15° a 15° (3 posizioni: -15°/0°/15°) come mostrato nella **Fig. 11**.
- 3) Chiudere la levetta di blocco spingendola per collegare l'impugnatura inferiore e quella superiore.

5-3 MONTAGGIO E SMONTAGGIO DEL SACCO RACCOGLIERBA

1. Per il montaggio: sollevare il coperchio posteriore e attaccare il sacco raccogliherba nella parte posteriore del rasaerba. **(Fig. 12, Fig. 13, Fig. 14)**
2. Per la rimozione: afferrare e sollevare il coperchio posteriore, quindi rimuovere il sacco raccogliherba.

5-4 IMPUGNATURA DI AVVIAMENTO

Spostare l'impugnatura di avviamento dal motore alla guida della corda. **(Fig. 15)**

5-5 ALTEZZA DI TAGLIO

Applicare una pressione verso l'esterno per sganciare la leva dal binario. Spostare la leva avanti o indietro per regolare l'altezza. (Fig. 16; vedere paragrafi 7-9).

6. FUNZIONE

Questi rasaerba possono essere modificati rispetto alla loro normale funzione, in base alla finalità applicativa. Da rasaerba con raccolta posteriore a:

1. rasaerba per pacciamatura o
2. rasaerba con scarico laterale.

Che cos'è la pacciamatura?

Durante la pacciamatura, l'erba viene tagliata in un singolo passaggio, quindi viene tritata finemente e riversata sulla striscia di terreno per essere usata come fertilizzante naturale.

Suggerimenti per la rasatura con pacciamatura:

- Eseguire regolarmente un taglio di 2 cm al massimo, per un'altezza dell'erba da 6 cm a 4 cm.
- Utilizzare una lama di taglio affilata.
- Non utilizzare il rasaerba sull'erba bagnata.
- Impostare il regime massimo del motore.
- Procedere esclusivamente al normale ritmo di lavoro.
- Pulire regolarmente il cuneo di pacciamatura, i lati interni dell'alloggiamento e la lama di rasatura.

Operazioni preliminari

6-1 Modifica per rasaerba per pacciamatura



AVVERTENZA: eseguire l'operazione solo quando il motore è completamente spento e la lama è ferma.

1. Sollevare il coperchio posteriore e rimuovere il sacco raccogliherba.
2. Spingere il cuneo di pacciamatura nel corpo della macchina. Bloccare il cuneo di pacciamatura utilizzando il pulsante nell'apertura del corpo. (Fig. 17, Fig. 18)
3. Abbassare nuovamente il coperchio posteriore. (Fig. 19)
4. Sollevare l'aletta laterale e rimuovere il canale di scarico laterale.

6-2 Reimpostazione per rasatura con scarico laterale



Eseguire l'operazione solo quando il motore è arrestato e la macchina non sta tagliando.

1. Sollevare il coperchio posteriore e rimuovere il sacco raccogliherba.
2. Montaggio del cuneo di pacciamatura.
3. Sollevare l'aletta laterale per scaricamento laterale. (Fig. 20)
4. Montare il canale di scarico laterale per scaricamento laterale sul perno di supporto dell'aletta laterale. (Fig. 21)
5. Abbassare l'aletta laterale (l'aletta si trova sul canale di scarico laterale). (Fig. 22)

6-3 Rasatura con il sacco raccogliherba



Eseguire l'operazione solo quando il motore è completamente spento e la lama è ferma.

Per eseguire la rasatura con il sacco raccogliherba, rimuovere il cuneo di pacciamatura e il canale di scarico per lo scaricamento laterale, quindi montare il sacco raccogliherba.

1. Rimuovere il cuneo per pacciamatura.
 - Sollevare il coperchio posteriore e rimuovere il cuneo di pacciamatura.
2. Rimozione del canale di scarico laterale per scaricamento laterale.
 - Sollevare l'aletta laterale e rimuovere il canale di scarico laterale.
 - L'aletta laterale chiude automaticamente l'apertura di scaricamento sull'alloggiamento grazie alla forza della molla.
 - Pulire regolarmente l'aletta laterale e l'apertura di scaricamento dall'erba residua e dalle incrostature di sporco.
3. Montaggio del sacco raccogliherba.
 - Per il montaggio: Sollevare il coperchio posteriore e attaccare il sacco raccogliherba nella parte posteriore del rasaerba.
 - Per la rimozione: afferrare e sollevare il coperchio posteriore, quindi rimuovere il sacco raccogliherba.

7. ISTRUZIONI PER L'USO

7-1 PRIMA DELLA MESSA IN FUNZIONE

Rifornire il motore di benzina e olio come indicato nel manuale del motore in dotazione con il rasaerba. Leggere attentamente le istruzioni. (Fig. 23, Fig. 24, Fig. 25, Fig. 26)



AVVERTENZA: la benzina è altamente infiammabile.

Conservare il carburante in contenitori progettati specificamente per questo scopo.

Eseguire il rifornimento all'aperto, prima di avviare il motore, e non fumare durante il rifornimento o mentre si maneggia il carburante.

Non rimuovere il tappo del serbatoio di carburante e non aggiungere benzina mentre il motore è in funzione o se il motore è caldo.

In caso di fuoriuscite di benzina, non avviare il motore, ma allontanare la macchina dall'area della fuoriuscita ed evitare di creare fonti di accensione fino alla completa dissipazione dei vapori della benzina.

Riapplicare correttamente i tappi del serbatoio di carburante e del contenitore.

Prima di inclinare il rasaerba per eseguire la manutenzione della lama o per drenare l'olio, rimuovere il carburante dal serbatoio.



AVVERTENZA: non riempire il serbatoio di carburante in ambienti chiusi, con il motore in funzione o se non sono trascorsi almeno 15 minuti dall'ultimo utilizzo per consentire il raffreddamento del motore.

7-2 AVVIARE IL MOTORE E INNESTARE LA LAMA

1. L'unità è dotata di un mantice in gomma all'estremità della candela; assicurarsi che l'anello in metallo all'estremità del filo della candela (all'interno del mantice in gomma) sia serrato correttamente sulla punta in metallo della candela.
2. All'avvio a freddo del motore, portare la leva del dispositivo di avviamento nella posizione "☁". Per l'avvio a caldo e durante l'uso, portare la leva del dispositivo di avviamento nella posizione "☁" (Fig. 27)
3. Rimanendo dietro l'unità, afferrare l'impugnatura di comando del freno e tenerla contro l'impugnatura superiore, come mostrato nella Fig. 28.
4. Afferrare l'impugnatura di avviamento come mostrato nella Fig. 28 e tirarla rapidamente verso l'alto. Riportarla lentamente verso il bullone della guida della corda dopo l'avviamento del motore.

Rilasciare l'impugnatura di comando del freno per spegnere il motore e fermare la lama.



Avviare attentamente il motore, attenendosi alle istruzioni e tenendo i piedi a distanza dalla lama.



Non inclinare il rasaerba durante l'avviamento del motore. Avviare il rasaerba su una superficie in piano, in cui non vi siano erba alta e ostacoli.



Tenere mani e piedi lontano dalle parti in rotazione. Non avviare il motore rimanendo in piedi davanti all'apertura di scarico.

7-3 PROCEDURE OPERATIVE

Durante l'uso, tenere saldamente l'impugnatura di comando del freno con entrambe le mani.

Nota: durante l'uso, se si rilascia l'impugnatura di comando del freno, il motore si spegne e il rasaerba smette di funzionare.

7-4 PER SPEGNERE IL MOTORE



ATTENZIONE: la lama continua a ruotare per qualche secondo dopo lo spegnimento del motore.

1. Rilasciare l'impugnatura di comando del freno per spegnere il motore e fermare la lama. (Fig. 29)
2. Per evitare l'avviamento accidentale dell'apparecchiatura incustodita, scollegare e collegare a terra il filo della candela, come indicato nel manuale del motore.

7-5 COLLEGAMENTO PER SEMOVENZA

Per PLM4631

Afferrando l'impugnatura di controllo semovenza, il rasaerba avanzerà automaticamente alla velocità di circa 3,6 km/h (Fig. 30); rilasciando l'impugnatura di semovenza, il rasaerba si fermerà.

Per PLM4632, PLM5130

Il rasaerba è dotato di un sistema di regolazione della velocità che consente di regolare la velocità su 3 diversi regimi: da 3,0 km/h a 4,5 km/h.

Posizione "☁": la velocità minima; Posizione "☁": la velocità massima. (Fig. 31)

Di seguito, la relativa procedura:

1. Rilasciare l'impugnatura di controllo semovenza fino a che il rasaerba non smette di avanzare.
2. Regolare la velocità sul regime desiderato. (Fig. 31)
3. Afferrare l'impugnatura di controllo semovenza per riprendere la rasatura. (Fig. 30)



ATTENZIONE: il rasaerba è progettato per tagliare l'erba di un normale prato domestico di altezza non superiore ai 250 mm.

Non tentare di utilizzare su erba, asciutta o bagnata, particolarmente alta (ad esempio, foraggio) o su cumuli di foglie secche. I residui possono accumularsi sul corpo del rasaerba o venire a contatto con i gas di scarico del motore, con conseguente pericolo di incendio.

7-6 PER MIGLIORI RISULTATI DURANTE LA RASATURA

Eliminare eventuali detriti dal prato. Assicurarsi che sul prato non siano presenti pietre, bastoni, fili o altri corpi estranei che potrebbero essere accidentalmente scagliati dal rasaerba in qualsiasi direzione, causando gravi infortuni all'operatore e ad altre persone, nonché danni alle cose e agli oggetti circostanti. Non tagliare l'erba bagnata. Per una rasatura efficace, evitare di tagliare l'erba bagnata che tende ad aderire alla parte inferiore del corpo della macchina, impedendo una corretta rasatura dell'erba tagliata. Non tagliare l'erba per più di 1/3 della sua lunghezza. La profondità di taglio consigliata per la rasatura è pari a 1/3 della lunghezza dell'erba. La velocità a terra deve essere regolata in modo che l'erba tagliata possa spargersi in modo uniforme sul prato. Per il taglio di erba particolarmente spessa potrebbe essere necessario utilizzare una delle velocità più basse per ottenere una rasatura corretta. Durante la rasatura di erba lunga, potrebbe essere necessario tagliare il prato in due passaggi, abbassando la lama di un altro terzo della lunghezza dell'erba per il secondo taglio e magari procedendo in una direzione diversa rispetto al primo taglio. Sovrapporre leggermente il taglio ad ogni passaggio per ripulire eventuali frammenti rimasti sul prato. Il rasaerba deve essere sempre utilizzato alla massima accelerazione per ottenere il taglio migliore e consentire una rasatura efficace. Pulire la parte inferiore del corpo della macchina. Pulire la parte inferiore del corpo di taglio dopo ogni utilizzo per evitare accumuli d'erba che impedirebbero una pacciamatura corretta. Rasatura di foglie. Anche la rasatura delle foglie può risultare vantaggiosa per il prato. Durante questo tipo di rasatura, assicurarsi che le foglie siano asciutte e che lo strato sul prato non sia troppo spesso. Non attendere la caduta di tutte le foglie dagli alberi prima di eseguire la rasatura.



AVVERTENZA: nel caso venisse colpito un corpo estraneo, spegnere il motore, staccare il filo dalla

candela, ispezionare scrupolosamente il rasoerba alla ricerca di danni ed eventualmente riparare il danno prima di rimettere in funzione il rasoerba. Un'eccessiva vibrazione del rasoerba durante l'uso è indice di danni. L'unità deve essere prontamente ispezionata e riparata.

7-7 SACCO RACCOGLIERBA

È presente un indicatore di livello in cima al sacco raccogliherba che mostra se il sacco è vuoto o pieno (Fig. 32, Fig. 33):

- L'indicatore di livello si gonfia se il sacco non è pieno durante il movimento. (Fig. 33)
- Se il sacco è pieno, l'indicatore scende; quando succede ciò, interrompere immediatamente il movimento e svuotare il sacco, assicurarsi che sia pulito e che la sua rete sia ventilata. (Fig. 32)

IMPORTANTE

Se la posizione dell'apertura dell'indicatore è molto sporca, l'indicatore non si gonfia; in questo caso, pulire immediatamente la posizione dell'apertura dell'indicatore.

7-8 CORPO

Il lato inferiore del corpo del rasoerba deve essere pulito dopo ogni utilizzo per evitare l'accumulo di frammenti di erba, foglie, sporcizia e altri corpi estranei. Un accumulo di residui può portare alla ruggine e alla corrosione, impedendo una corretta pacciamatura. Il corpo può essere pulito inclinando il rasoerba e raschiandolo con un utensile adatto (assicurarsi che il filo della candela sia scollegato).

7-9 ISTRUZIONI PER LA REGOLAZIONE IN ALTEZZA



ATTENZIONE: non eseguire mai regolazioni sul rasoerba senza aver prima spento il motore e scollegato il filo della candela.



ATTENZIONE: prima di cambiare l'altezza di rasatura, spegnere il rasoerba e scollegare il filo della candela.

Il rasoerba è dotato di una leva di regolazione in altezza centrale che consente di impostare 8 posizioni di altezza.

L'altezza (della lama al suolo) può essere regolata da 20 mm a 75 mm (8 posizioni di altezza). (Fig. 34)

La regolazione più bassa: 20 mm (posizione 1), la regolazione più alta: 75 mm (posizione 8).

1. Spegnere il rasoerba e scollegare il filo della candela prima di cambiare l'altezza di taglio della macchina.
2. La leva di regolazione in altezza centrale consente di impostare 8 diverse posizioni di altezza. (Fig. 34)

Per cambiare l'altezza di taglio, premere la leva di regolazione verso la ruota, alzandola o abbassandola all'altezza desiderata.

8. ISTRUZIONI PER LA MANUTENZIONE

CANDELA

Sostituire solo con candele originali. Per i migliori risultati, sostituire la candele ogni 100 ore di funzionamento.

9. ISTRUZIONI PER LA LUBRIFICAZIONE



ATTENZIONE: SCOLLEGARE LA CANDELA PRIMA DI ESEGUIRE LA MANUTENZIONE.

1. RUOTE - Lubrificare i cuscinetti a sfera di ogni ruota almeno una volta per stagione, utilizzando un olio leggero.
2. MOTORE - Attenersi alle istruzioni per la lubrificazione nel manuale del motore.

10. PULIZIA



ATTENZIONE: non lavare il motore. L'acqua può danneggiare il motore o contaminare l'impianto di combustione.

1. Pulire il corpo con un panno asciutto.
2. Lavare la parte inferiore del corpo inclinando il rasoerba in modo che la candela sia in alto.

10-1 FILTRO DELL'ARIA DEL MOTORE



ATTENZIONE: evitare che sporcizia e polvere ostruiscano l'elemento in gommapiuma del filtro dell'aria. Il filtro dell'aria del motore deve essere sottoposto a manutenzione (pulizia) ogni 25 ore di rasatura normale. L'elemento in gommapiuma deve essere sottoposto a manutenzione periodica se il rasoerba è utilizzato in ambienti asciutti molto polverosi.

PER PULIRE IL FILTRO DELL'ARIA

1. Rimuovere la vite. (Fig. 35 per PLM4632 e PLM5130)
2. Rimuovere la manopola di blocco. (Fig. 36 per PLM4630 e PLM4631)
3. Rimuovere il coperchio del filtro.
4. Lavare l'elemento filtrante in acqua e sapone. **NON UTILIZZARE BENZINA!**
5. Lasciare asciugare all'aria l'elemento filtrante.
6. Versare alcune gocce di olio SAE30 sul filtro in gommapiuma e strizzarlo bene per rimuovere l'olio in eccesso.
7. Riapplicare il filtro.

NOTA: il filtro deve essere sostituito se è sfilacciato, lacerato, danneggiato o se non può essere pulito.

10-2 LAMA DI TAGLIO



ATTENZIONE: per evitare l'avvio accidentale del motore, staccare e collegare a terra il filo della candela prima di intervenire sulla lama di taglio. Proteggere le mani utilizzando guanti spessi o stracci per afferrare le lame di taglio. Inclinare il rasoerba come specificato nel manuale del motore. Rimuovere il bullone esagonale e la

rondella che fissano la lama e l'adattatore della lama all'albero a gomiti del motore. Rimuovere la lama e l'adattatore dall'albero a gomiti.



AVVERTENZA: ispezionare periodicamente l'adattatore della lama per ricercare eventuali crepe, in particolare se è stato colpito un corpo estraneo. Sostituire se necessario.

Per i migliori risultati la lama deve essere affilata. Per affilare la lama è possibile rimuoverla e molare o limare il tagliente mantenendo il più possibile la smussatura originale. È particolarmente importante che ogni tagliente riceva una molatura identica per evitare che la lama non sia bilanciata. Un'equilibratura errata della lama può comportare la comparsa di vibrazioni eccessive in grado di danneggiare il motore e il rasaerba. Bilanciare attentamente la lama dopo l'affilatura. L'equilibratura della lama può essere verificata bilanciandola su un cacciavite a manico rotondo. Rimuovere il metallo dal lato più pesante fino a ottenere l'equilibrio. (Fig. 37)

Prima di rimontare la lama e l'adattatore della lama sull'unità, lubrificare l'albero a gomiti del motore e la superficie interna dell'adattatore della lama con olio leggero. Inserire l'adattatore della lama sull'albero a gomiti. Vedere la Fig. 37. Posizionare la lama con il numero di componente rivolto nella direzione opposta rispetto all'adattatore. Allineare la rondella alla lama e inserire il bullone esagonale. Serrare il bullone esagonale alla coppia elencata di seguito.

10-3 COPPIA DI MONTAGGIO DELLA LAMA

Bullone centrale 40 Nm - 50 Nm, per garantire il funzionamento sicuro dell'unità. È necessario controllare periodicamente tutti i dadi e i bulloni per verificare che siano serrati correttamente.

A seguito di un uso prolungato, in particolare se il terreno è sabbioso, la lama si usura e perde la sua forma originale. L'efficienza di taglio si riduce ed è necessario sostituire la lama. Eseguire la sostituzione solo con una lama approvata dalla fabbrica. Eventuali danni derivanti da una condizione di squilibrio della lama non potranno essere imputati al produttore.

Per la sostituzione della lama, utilizzare il tipo originale indicato sulla lama stessa (MAKITA 263001451 per PLM4630/PLM4631/PLM4632, MAKITA 263002552 per PLM5130). Per ordinare la lama, rivolgersi al rivenditore di zona o contattare l'azienda, vedere copertina.

10-4 MOTORE

Consultare il manuale del motore per avere istruzioni sulla manutenzione del motore.

Eseguire la manutenzione dell'olio motore come indicato nel manuale del motore in dotazione con l'unità. Leggere e seguire attentamente le istruzioni.

In condizioni normali, eseguire la manutenzione del filtro dell'aria come indicato nel manuale del motore.

Eseguire la pulizia ogni poche ore in ambienti particolarmente polverosi. La riduzione delle prestazioni del motore e l'ingolfamento solitamente indicano la necessità di procedere alla manutenzione del filtro dell'aria.

Per eseguire la manutenzione del filtro dell'aria, consultare il manuale del motore in dotazione con l'unità. Una volta per stagione è necessario pulire la candela e ripristinare il gap. Si consiglia di sostituire la candela all'inizio di ogni stagione di rasatura; consultare il manuale del motore per conoscere il tipo di candela necessario e le specifiche sul gap.

Pulire regolarmente il motore con un panno o un pennello. Mantenere pulito l'impianto di raffreddamento (area di alloggiamento del soffiante) per consentire una corretta ventilazione, fondamentale per le prestazioni e la durata del motore. Rimuovere tutta l'erba, la sporcizia e i residui combustibili dall'area della marmitta.

11. ISTRUZIONI PER LA CONSERVAZIONE (FUORI STAGIONE)

Eseguire le operazioni indicate di seguito per preparare il rasaerba prima di riporlo.

1. Svuotare il serbatoio dopo l'ultima rasatura di stagione.
 - a) Svuotare il serbatoio della benzina con una pompa aspirante.
2. Pulire e ingrassare il rasaerba con attenzione, come descritto precedentemente nella sezione "ISTRUZIONI PER LA LUBRIFICAZIONE".
3. Ingrassare leggermente la lama per prevenire la corrosione.
4. Riporre il rasaerba in un luogo asciutto, pulito e al riparo dal gelo, fuori dalla portata di persone non autorizzate.



ATTENZIONE: non svuotare il serbatoio della benzina in ambienti chiusi, in prossimità di fiamme libere, ecc. Non fumare. I vapori della benzina possono causare incendi o esplosioni.

- b) Avviare il motore e lasciarlo acceso fino a consumare tutta la benzina residua, facendolo entrare in stallo.
 - c) Staccare la candela. Versare da una lattina circa 20 ml d'olio nella camera di combustione. Azionare il motorino di avviamento per distribuire uniformemente l'olio nella camera di combustione. Sostituire la candela.
2. Pulire e ingrassare il rasaerba con attenzione, come descritto precedentemente nella sezione "ISTRUZIONI PER LA LUBRIFICAZIONE".
3. Ingrassare leggermente la lama per prevenire la corrosione.
4. Riporre il rasaerba in un luogo asciutto, pulito e al riparo dal gelo, fuori dalla portata di persone non autorizzate.



ATTENZIONE: prima di riporre il rasaerba, lasciar raffreddare completamente il motore.



NOTA:

- Durante la conservazione di qualsiasi tipo di apparecchiatura elettrica in un ambiente non ventilato o in una rimessa per materiali:
- Prendere le precauzioni necessarie per impedire la comparsa di ruggine sull'apparecchiatura. Rivestire l'apparecchiatura con un olio leggero o con del silicone, prestando particolare attenzione ai cavi e a tutte le parti in movimento.
- Evitare di piegare o attorcigliare i cavi.
- Se la corda di avviamento si stacca dalla guida della corda sull'impugnatura, scollegare e collegare a terra il

filo della candela, premere l'impugnatura di controllo della lama ed estrarre lentamente la corda di avviamento dal motore. Inserire la corda di avviamento nel bullone della guida della corda sull'impugnatura.

Trasporto

Spegnere il motore. Assicurarsi di non piegare o danneggiare la lama quando si spinge il rasaerba sopra degli ostacoli.

12. RISOLUZIONE DEI PROBLEMI

PROBLEMA	CAUSA PROBABILE	INTERVENTO RISOLUTIVO
Il motore non si avvia.	La leva di regolazione dell'acceleratore non è in posizione corretta per le condizioni dominanti.	Spostare la leva di regolazione dell'acceleratore nella posizione corretta.
	Il serbatoio di carburante è vuoto.	Riempire il serbatoio di carburante: consultare il MANUALE DEL MOTORE.
	Il filtro dell'aria è sporco.	Pulire il filtro dell'aria: consultare il MANUALE DEL MOTORE.
	La candela è allentata.	Serrare la candela a 25-30 Nm.
	Il filo della candela è allentato o scollegato dalla candela.	Collegare il filo della candela alla candela.
	Il gap della candela non è corretto.	Impostare il gap tra gli elettrodi su una distanza compresa tra 0,7 e 0,8 mm.
	La candela è difettosa.	Installare una candela nuova, con un'apertura corretta: consultare il MANUALE DEL MOTORE.
	Il carburatore è ingolfato dal carburante.	Rimuovere il filtro dell'aria e tirare la corda di avviamento in modo continuo fino a pulire il carburatore, quindi inserire nuovamente il filtro dell'aria.
	Il modulo di accensione è difettoso.	Contattare l'addetto all'assistenza.
Il motore si avvia con difficoltà o perde potenza.	Nel serbatoio di carburante sono presenti sporcizia, acqua o residui stantii.	Drenare il carburante e pulire il serbatoio. Riempire il serbatoio con carburante nuovo.
	L'apertura di ventilazione nel tappo del serbatoio di carburante è ostruita.	Pulire o sostituire il tappo del serbatoio di carburante.
	Il filtro dell'aria è sporco.	Pulire il filtro dell'aria.
Il motore funziona in modo incostante.	La candela è difettosa.	Installare una candela nuova, con un'apertura corretta: consultare il MANUALE DEL MOTORE.
	Il gap della candela non è corretto.	Impostare il gap tra gli elettrodi su una distanza compresa tra 0,7 e 0,8 mm.
	Il filtro dell'aria è sporco.	Pulire il filtro dell'aria: consultare il MANUALE DEL MOTORE.
Il minimo del motore è insufficiente.	Il filtro dell'aria è sporco.	Pulire il filtro dell'aria: consultare il MANUALE DEL MOTORE.
	Le aperture di ventilazione nel pannello del motore sono ostruite.	Rimuovere i residui dalle aperture.
	Le alette di raffreddamento e le aperture di ventilazione sotto l'alloggiamento del soffiante del motore sono bloccate.	Rimuovere i residui dalle alette di raffreddamento e dalle aperture di ventilazione.
Il motore salta a velocità elevate.	Il gap tra gli elettrodi della candela è troppo basso.	Impostare il gap tra gli elettrodi su una distanza compresa tra 0,7 e 0,8 mm.
Il motore si surriscalda.	Il flusso dell'aria di raffreddamento è limitato.	Rimuovere eventuali residui dalle aperture dei pannelli, dall'alloggiamento del soffiante e dalle aperture di ventilazione.
	La candela non è corretta.	Per PLM4630/PLM4631: Inserire una candela RJ19LMC con alette di raffreddamento sul motore. Per PLM4632/PLM5130: Inserire una candela QC12YC con le alette di raffreddamento sul motore.
Il rasaerba vibra in modo anomalo.	Il gruppo di taglio è allentato.	Serrare la lama.
	Il gruppo di taglio è sbilanciato.	Equilibrare la lama.

13. AMBIENTE

Se dopo un uso prolungato fosse necessario sostituire la macchina, non gettarla nei rifiuti domestici ma smaltirla in maniera ecocompatibile.

Solo per i paesi europei

Dichiarazione di conformità CE

Makita Corporation, in qualità di produttore responsabile, dichiara che gli utensili Makita indicati di seguito:

Denominazione della macchina: Rasaerba con motore a benzina

N. modello/Tipo: PLM4630, PLM4631, PLM4632, PLM5130

Caratteristiche tecniche: Vedere "4. DATI TECNICI" appartengono ad una produzione in serie e sono

conformi alle seguenti direttive europee:

2004/108/EC, 2006/42/EC,

2000/14/EC e 2005/88/EC

Sono inoltre prodotti in conformità con le normative o i documenti standardizzati riportati di seguito:

EN 836, EN ISO 14982

La documentazione tecnica viene conservata da:

Makita International Europe Ltd.,

Technical Department,

Michigan Drive, Tongwell,

Milton Keynes, Bucks MK15 8JD, Inghilterra

La procedura di valutazione della conformità richiesta dalla Direttiva 2000/14/EC è stata effettuata secondo quanto specificato nell'allegato VI.

Ente competente:

TÜV SÜD Industrie Service GmbH

Westendstraße 199, D-80686 München

Numero identificativo: 0036

Modello: PLM4630, PLM4631

Livello di potenza acustica misurato: 94,2 dB (A)

Livello di potenza acustica garantito: 96 dB (A)

Modello: PLM4632

Livello di potenza acustica misurato: 94,3 dB (A)

Livello di potenza acustica garantito: 96 dB (A)

Modello: PLM5130

Livello di potenza acustica misurato: 95,9 dB (A)

Livello di potenza acustica garantito: 98 dB (A)

30. 11. 2012



Tomoyasu Kato

Direttore

Makita Corporation

3-11-8, Sumiyoshi-cho,

Anjo, Aichi, 446-8502, JAPAN

Verklaring van het onderdelenoverzicht

- | | | |
|---------------------------------------|-----------------------------|-------------------------|
| 1. Remhendel | 10. Maaihoogte-instelhendel | 21. Niveau-aanduiding |
| 2. Bovenste gedeelte van de handgreep | 11. Zijuitwerpkanaal | 22. Bout |
| 3. Aandrijfhendel | 12. Zijklep | 23. Ring |
| 4. Chokehendel | 13. Maaidek | 24. Vergrendelknop |
| 5. Trekstarthandgreep | 14. Bougiekabel | 25. Borgmoer |
| 6. Koordgeleider | 15. Olievuldop | 26. Hoekverstelling |
| 7. Vergrendelhendel | 16. Brandstoftankdop | 27. Knop |
| 8. Onderste gedeelte van de handgreep | 17. Snoerklem | 28. Olievuldop/peilstok |
| 9. Grasopvangbak | 18. Kabelbevestigingsring | 29. Max: bovengrens |
| | 19. Snelheidsregelhendel | 30. Min: ondergrens |
| | 20. Mulchinzet | 31. Schroef |



WAARSCHUWING:

Lees, voor uw eigen veiligheid, deze gebruiksaanwijzing voordat u uw nieuwe gereedschap gaat gebruiken. Als de aanwijzingen niet worden nageleefd kan dat tot ernstig persoonlijk letsel leiden. Besteed voor elk gebruik enige tijd om uzelf vertrouwd te maken met de grasmaaier.

1. VERKLARING VAN DE SYMBOLEN OP HET PRODUCT



Lees de gebruiksaanwijzing.



Houd omstanders uit de buurt.



Besteed als gebruiker extra aandacht aan handen en voeten om letsel te voorkomen.



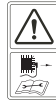
Benzine is brandbaar, blijf uit de buurt van open vuur. Als de motor draait mag geen benzine worden bijgevuld.



Giftige dampen. Niet binnenshuis gebruiken.



Draag ter bescherming van de gebruiker tijdens het maaien een veiligheidsbril en gehoorbescherming.



Maak de bougiekabel los voordat u reparaties, zoals beschreven in de gebruiksaanwijzing, uitvoert.



Let op: Motor is heet.

2. ALGEMENE VEILIGHEIDSVORSCHRIFTEN



WAARSCHUWING: Bij gebruik van gereedschap met een verbrandingsmotor moeten altijd de algemene veiligheidsvoorzieningen worden opgevolgd om het risico van ernstig persoonlijk letsel en/of schade aan het gereedschap te verminderen. Lees deze gebruiksaanwijzing voordat u deze grasmaaier gaat gebruiken en bewaar deze gebruiksaanwijzing om hem later te kunnen raadplegen.



WAARSCHUWING: Dit gereedschap produceert tijdens gebruik een elektromagnetisch veld. Dit veld kan onder bepaalde omstandigheden de werking van actieve of passieve medische implantaten hinderen. Om het risico van ernstig persoonlijk en fataal letsel te verminderen, adviseren wij personen met medische implantaten hun dokter en de fabrikant van het implantaat te raadplegen alvorens dit gereedschap te bedienen.

Aanwijzingen

- Lees de gebruiksaanwijzingen zorgvuldig. Zorg dat u vertrouwd bent met de bedieningsknoppen en de juiste omgang met het gereedschap.
- Laat in geen geval kinderen of personen die deze gebruiksaanwijzing niet gelezen hebben de grasmaaier gebruiken. De leeftijd van de gebruiker kan landelijk gereguleerd zijn.
- Gebruik de grasmaaier in geen geval als er personen, met name kinderen of dieren in de buurt zijn.

- Denk eraan dat de gebruiker aansprakelijk is voor ongevallen en onvoorzien gebeurtenissen die personen of hun eigendommen kunnen overkomen.

Vorbereidingen

- Draag tijdens het maaien altijd stevige schoenen en een lange broek. Gebruik het gereedschap niet met blote voeten of met open sandalen.
- Controleer het gehele terrein dat u wilt maaien grondig en verwijder alles wat door het gereedschap kan worden weggeslingerd.
- **WAARSCHUWING** - Benzine is bijzonder brandbaar.
 - Bewaar benzine in speciaal daarvoor bestemde jerrycans.
 - Vul alleen benzine bij in de open lucht en rook daarbij niet.
 - Vul benzine bij voor het starten van de motor. Verwijder nooit de brandstofvuldop en vul nooit benzine bij terwijl de motor draait of wanneer de motor warm is.
 - Als benzine wordt gemorst, mag u niet proberen de motor te starten, maar moet de grasmaaier worden verwijderd van de plaats waar de benzine gemorst is, en mag de motor niet worden gestart voordat de benzine verdampst is.
 - Plaats de doppen stevig terug op de brandstoftank en jerrycan.
- Vervang defecte geluiddempers.
- Voer vóór gebruik altijd een visuele controle uit of het maaimes, de mesbout of het maimechanisme versleten of beschadigd is. Vervang het versleten of beschadigd maaimes en mesbout altijd samen, om onbalans te voorkomen.

Bediening

- Laat de verbrandingsmotor niet draaien in een gesloten ruimte waarin gevaarlijke koolmonoxidestampen zich kunnen ophopen.
- Werk alleen bij daglicht of bij goed kunstlicht.
- Gebruik de grasmaaier bij voorkeur niet wanneer het gras nat is.
- Zorg er op een helling altijd voor dat u stevig staat.
- Loop rustig, nooit te snel.
- Maai met cirkelmaaiers met wielen een helling altijd in de dwarsrichting en nooit van boven naar beneden.
- Ga altijd uiterst voorzichtig te werk bij het veranderen van richting op een helling.
- Maai niet op bijzonder steile hellingen.
- Pas goed op als u de grasmaaier achteruit laat rijden of naar u toe haalt.
- Het maaimes moet stilstaan wanneer de grasmaaier bij het vervoeren moet worden gekanteld, wanneer de grasmaaier over een oppervlak waar geen gras groeit moet worden verplaatst en bij het vervoer naar en van een te maaien gedeelte.
- Gebruik de grasmaaier nooit met defecte afschermingen of zonder veiligheidsvoorzieningen zoals een achterklep en/of grasopvangbak.
- Verander de regelafstellingen van de motor niet en laat het toerental van de motor niet buitengewoon hoog oplopen.
- Schakel alle maaimessen en de aandrijving uit voordat u de motor start.

- Start de motor zorgvuldig zoals aangegeven in de gebruiksaanwijzing en blijf met uw voeten steeds op voldoende afstand van het maaimes.
- Tijdens het starten van de motor mag de grasmaaier niet worden gekanteld.
- Start de motor niet als u voor het uitwerpkanaal staat.
- Kom niet met uw handen of voeten in de buurt van of onder draaiende delen. Blijf altijd uit de buurt van de uitwerpopening.
- De grasmaaier nooit optillen of dragen wanneer de motor loopt.
- Zet de motor uit en maak de bougiekabel los, wacht tot de draaiende delen volledig tot stilstand zijn gekomen en, indien aanwezig, verwijder de sleutel.
 - voordat u een verstopping opeft of voordat u het uitwerpkanaal leegt.
 - voordat u de grasmaaier controleert, reinigt of er werkzaamheden aan gaat verrichten.
 - na het raken van een vreemd voorwerp. Controleer of de grasmaaier beschadigd is en laat deze indien nodig repareren voordat u de grasmaaier opnieuw gaat starten en gebruiken.
 - als de grasmaaier op ongebruikelijke manier begint te trillen (onmiddellijk controleren).
- Zet de motor uit en maak de bougiekabel los, wacht tot de draaiende delen volledig tot stilstand zijn gekomen en, indien aanwezig, verwijder de sleutel.
 - iedere keer als u de grasmaaier onbeheerd achterlaat.
 - voordat u brandstof bijvult.
- Zet de gashendel terug vóórdat u de motor uitschakelt en indien de motor is voorzien van een brandstofkraan, moet deze na het maaien worden dicht gezet.

Onderhoud en opslag

- Zorg ervoor dat alle bouten en de schroeven stevig vastgedraaid zijn om er zeker van te zijn dat het gereedschap altijd op een veilige manier gebruiksklaar is.
- Zet de grasmaaier niet met brandstof in de brandstoftank in een ruimte waar de brandstofdampen in aanraking kunnen komen met vlammen of vonken.
- Laat de motor afkoelen vóórdat u de grasmaaier opbergt.
- Om het brandgevaar zoveel mogelijk te beperken moet u de motor, de geluiddemper, de accubak en de brandstoftank vrijhouden van gras, bladeren of overtollig vet.
- Controleer regelmatig de grasopvangbak op slijtage en beschadigingen.
- Vervang veiligheidshalve versleten of beschadigde delen.
- Als de brandstoftank moet worden geleegd, moet u dit in de open lucht doen.



WAARSCHUWING: Raak het draaiende maaimes niet aan.



WAARSCHUWING: Vul de brandstoftank bij in een goed geventileerde ruimte terwijl de motor is uitgeschakeld.

3. BESCHRIJVING VAN DE ONDERDELEN (zie afb. 1, 2, 3 en 4)

Bijgeleverd:

A: Bougiesleutel

4. TECHNISCHE GEGEVENS

Model	PLM4630	PLM4631	PLM4632	PLM5130
Motortype	B&S 675EX-serie, ReadyStart	B&S 675EX-serie, ReadyStart	B&S 750EX-serie, ReadyStart	B&S 750EX-serie, ReadyStart
Zelfrijdend	Nee	Ja	Ja	Ja
Cilinderinhoud	190 cm ³	190 cm ³	161 cm ³	161 cm ³
Maaibreedte	460 mm	460 mm	460 mm	510 mm
Nominaal toerental	2.800/min	2.800/min	2.800/min	2.800/min
Inhoud brandstoftank	1,0 liter	1,0 liter	1,0 liter	1,0 liter
Inhoud olietank	0,6 liter	0,6 liter	0,6 liter	0,6 liter
Inhoud van grasopvangbak	60 liter	60 liter	60 liter	65 liter
Nettogewicht	31,5 kg	34 kg	35 kg	38 kg
Maaihogteregeling	20-75 mm, 8 standen	20-75 mm, 8 standen	20-75 mm, 8 standen	20-75 mm, 8 standen

	PLM4630	PLM4631	PLM4632	PLM5130
Geluidsdruk niveau ter plaatse van de gebruiker (volgens EN ISO 3744, EN ISO 4871)	83,5 dB (A) (K=3 dB (A))	83,5 dB (A) (K=3 dB (A))	83,9 dB (A) (K=3 dB (A))	85,7 dB (A) (K=3 dB (A))
Livello di potenza sonora misurato	94,2 dB (A) K=1,95 dB (A)	94,2 dB (A) K=1,95 dB (A)	94,3 dB (A) K=1,80 dB (A)	95,9 dB (A) K=2,16 dB (A)
Gegarandeerd geluidsvermogen niveau (volgens 2000/14/EC)	96 dB (A)	96 dB (A)	96 dB (A)	98 dB (A)
Trillingen (volgens EN ISO 20643)	6,58 m/s ² K=1,5 m/s ²	6,58 m/s ² K=1,5 m/s ²	7,12 m/s ² K=1,5 m/s ²	6,53 m/s ² K=1,5 m/s ²

5. ONDERDELEN AANBRENGEN EN VERWIJDEREN

5-1 DE INKLAPBARE HANDGRIEP MONTEREN

1. Bevestig het onderste gedeelte van de handgreep op de handgreepsteun met de bout, ring en vergrendelknop (zie afb. 5).
2. Til de twee vergrendelhendels op waarmee het bovenste gedeelte en het onderste gedeelte van de handgreep met elkaar zijn verbonden (zie afb. 6).
3. Duw de vergrendelhendels dicht om het onderste gedeelte en het bovenste gedeelte van de handgreep te vergrendelen in de bedieningsstand (zie afb. 7).
4. Stel de spanning af door de borgmoer met een geschikte sleutel te draaien (zie afb. 8).
5. Plaats het snoer op de buis van de handgreep. Klem het met de snoerklem vast op het midden van het onderste gedeelte van de handgreep en verzeker u ervan dat het snoer rond de buitenkant van de handgreep is bevestigd (zie afb. 9 en 10). Het snoer kan anders bekneld raken bij het openen/sluiten van de achterklep.

5-2 DE BEDIENINGSHOEK INSTELLEN

- 1) Trek de vergrendelhendel open.
- 2) Roteer het bovenste gedeelte van de handgreep vanuit de middenstand van de hoekverstelling binnen het bereik van -15° tot +15° (3 standen: -15°, 0° en +15°) naar de juiste bedieningshoek, zoals aangegeven in afb. 11.
- 3) Duw de vergrendelhendel dicht om het bovenste gedeelte en het onderste gedeelte van de handgreep met elkaar te vergrendelen.

5-3 DE GRASOPVANGBAK AANBRENGEN EN VERWIJDEREN

1. Aanbrengen: til de achterklep op en haak de grasopvangbak aan de achterkant van de grasmaaier (zie afb. 12, 13 en 14).
2. Verwijderen: til de achterklep op en verwijder de grasopvangbak.

5-4 DE TREKSTARHANDGRIEP

Verplaats de trekstarhandgreep van de motor naar de koordgeleider (zie afb. 15).

5-5 DE MAAIHOOGTE INSTELLEN

Duw de hefboom naar buiten om hem uit de huidige stand te halen. Beweeg de maaihogte-instelhendel naar voren of achteren om de maaihogte in te stellen (zie afb. 16 en de beschrijving bij punt 7-9).

6. BEDIENING

Deze grasmaaier kan na aanschaf worden omgebouwd voor extra functies, afhankelijk van de gewenste toepassing:

Vanaf een grasmaaier met achteruitwerp naar:

1. een mulchmaaier, of
2. een grasmaaier met zijuitwerp.

Wat is mulchen?

Bij mulchen wordt het gras eerst gemaaid, vervolgens uiterst fijn versnipperd, en tenslotte in het gras teruggeblazen als natuurlijke meststof.

Tips voor mulchmaaien:

- Maai het gras regelmatig met maximaal 2 cm van 6 cm naar 4 cm grashoogte.
- Gebruik een scherp maaimes.
- Maai geen nat gras.
- Gebruik het maximale motortoerental.
- Duw de grasmaaier met een rustige werksnelheid.
- Maak regelmatig de mulchinzet, binnenkant van de behuizing en het maimes schoon.

In gebruik nemen

6-1 Ombouwen tot mulchmaaier



WAARSCHUWING: Alleen met een uitgeschakelde motor en stilstaand maaimes.

1. Til de achterklep op en verwijder de grasopvangbak.
2. Plaats de mulchinzet in het maaidek. Zet de mulchinzet vast met de knop in de opening van het maaidek (zie afb. 17 en 18).
3. Laat de achterklep weer zakken (zie afb. 19).
4. Til de zijklep op en verwijder het zijuitwerpkanaal.

6-2 Ombouwen tot grasmaaier met zijuitwerp



Alleen met een uitgeschakelde motor en stilstaand maaimes!

1. Til de achterklep op en verwijder de grasopvangbak.
2. Breng de mulchinzet aan.
3. Til de zijklep voor zijuitwerp op (zie afb. 20).
4. Monteer het zijuitwerpkanaal op de bevestigingspen van de zijklep (zie afb. 21).
5. Laat de zijklep zakken tot op het zijuitwerpkanaal (zie afb. 22).

6-3 Maaien met de grasopvangbak



Alleen met een uitgeschakelde motor en stilstaand maaimes.

Voor maaien met de grasopvangbak verwijdert u eerst de mulchinzet en het zijuitwerpkanaal en brengt u daarna de grasopvangbak weer aan.

1. De mulchinzet verwijderen.
 - Til de achterklep op en verwijder de mulchinzet.
2. Het zijuitwerpkanaal verwijderen.
 - Til de zijklep op en verwijder het zijuitwerpkanaal.
 - Door veerkracht gaat de zijklep automatisch omlaag zodat de zijuitwerpopening in het maaidek wordt afgesloten.
 - Verwijder regelmatig grasresten en aangekoekt vuil vanaf de zijklep en vanuit de zijuitwerpopening.
3. Breng de grasopvangbak aan.
 - Aanbrengen: til de achterklep op en haak de grasopvangbak aan de achterkant van de grasmaaier.
 - Verwijderen: til de achterklep op en verwijder de grasopvangbak.

7. BEDIENINGSINSTRUCTIES

7-1 VOOR DE MOTOR TE STARTEN

Vul de brandstoftank en olietank bij zoals aangegeven in de aparte gebruiksaanwijzing voor de motor, die bij de grasmaaier is geleverd. Lees de gebruiksaanwijzingen zorgvuldig (zie afb. 23, 24, 25 en 26).



WAARSCHUWING: Benzine is bijzonder brandbaar.

Bewaar brandstof in speciaal daarvoor bestemde jerrycans.

Vul brandstof alleen bij in de open lucht en voordat de motor wordt gestart, en rook niet tijdens het bijvullen of hanteren van brandstof.

Verwijder nooit de brandstofvuldop en vul nooit benzine bij terwijl de motor draait of wanneer de motor warm is. Als brandstof is gemorst, mag u niet proberen de motor te starten, maar moet de grasmaaier worden verwijderd van de plaats waar de brandstof is gemorst, en mag de motor niet worden gestart voordat de brandstof verdampst is. Plaats de doppen stevig terug op de brandstoftank en jerrycan.

Voordat u de grasmaaier kantelt voor onderhoud van het maaimes of voor aftappen van de olie, moet u de brandstoftank volledig leegmaken.



WAARSCHUWING: In geen geval mag u brandstof bijvullen in een gebouw, terwijl de motor draait of als het afkoelen van de motor na draaien korter heeft geduurd dan 15 minuten.

7-2 DE MOTOR STARTEN EN HET MAAIMES INSCHAKELEN

1. Bij deze grasmaaier zit het uiteinde van de bougie een rubberen mof. Zorg ervoor dat de metalen huls aan het uiteinde van de bougiekabel (binnenin de rubberen mof) goed vastzit op de metalen elektrode van de bougie.
2. Bij het starten van een koude motor, moet u de gaschokehendel in de stand "☞" zetten. Bij het starten van een warme motor, moet u de gaschokehendel in de stand "☞☞" zetten (zie afb. 27).

- U gaat achter de grasmaaier staan, pakt de remhendel vast en houdt deze tegen de bovenste handgreep, zoals afgebeeld in **afb. 28**.
- Pak de trekstarthandgreep vast, zoals afgebeeld in **afb. 28**, en trek hem snel naar u toe. Plaats de handgreep na het starten van de motor rustig terug tegen de koordegeleider.

Als u de remhendel loslaat, slaat de motor af en stopt het maaimes vanzelf.



Start de motor zorgvuldig zoals aangegeven in de gebruiksaanwijzing en blijf met uw voeten steeds op voldoende afstand van het maaimes.



Tijdens het starten van de motor mag de grasmaaier niet worden gekanteld. Start de grasmaaier op een vlakke ondergrond zonder hoog gras of obstakels.



Houd uw handen en voeten uit de buurt van draaiende delen. Start de motor niet als u voor de uitwerpopening staat.

7-3 TIJDENS HET GEBRUIK

Houd tijdens het gebruik de remhendel met beide handen stevig vast.

Opmerking: Als u tijdens het gebruik de remhendel loslaat, zal de motor afslaan waardoor de grasmaaier stopt.

7-4 DE MOTOR STOPPEN



LET OP: Het maaimes draait na het uitschakelen van de motor nog enkele seconden door.

- Als u de remhendel loslaat, slaat de motor af en stopt het maaimes vanzelf (**zie afb. 29**).
- Maak de bougiekabel los en aard deze zoals aangegeven in de aparte gebruiksaanwijzing voor de motor om per ongeluk starten te voorkomen als de grasmaaier onbeheerd achtergelaten wordt.

7-5 ZELFAANDRIJVING

Voor model PLM4631

Duw de aandrijfhendel tegen de bovenste gedeelte van de handgreep, de grasmaaier begint automatisch naar voren te rijden met ongeveer 3,6 km/h (**zie afb. 30**). Laat de aandrijfhendel los en de grasmaaier stopt met rijden.

Voor PLM4632 en PLM5130

De grasmaaier is uitgerust met een snelheidsregeling die 3 snelheden kan instellen van 3,0 km/u tot en met 4,5 km/u.

Stand “☁”: de langzaamste stand; Stand “☁☁”: de snelste stand (**zie afb. 31**).

Volg onderstaande stappen:

- Laat de aandrijfhendel los en wacht tot de grasmaaier niet meer naar voren rijdt.
- Stel de gewenste snelheid in (**zie afb. 31**).
- Duw de aandrijfhendel tegen de bovenste handgreep en de grasmaaier begint automatisch naar voren te rijden (**zie afb. 30**).



LET OP: Uw grasmaaier is bedoeld om normaal tuingras te maaien met een maximale lengte van 250 mm. Probeer niet in ongebruikelijk hoog droog of nat gras (bijvoorbeeld een weiland) of een berg droge bladeren te maaien. Afval kan zich ophopen op het maaidek of in aanraking komen met de motoruitlaat waardoor mogelijk brandgevaar ontstaat.

7-6 VOOR HET BESTE MAAIRESLUATAAT

Verwijder afval van het gazon. Zorg dat het gazon vrij is van stenen, stokken, draadstukken of andere vreemde voorwerpen die per ongeluk door de grasmaaier in alle richtingen weggeslingerd kunnen worden en niet alleen ernstig persoonlijk letsel voor de gebruiker of anderen, maar ook schade aan eigendommen en voorwerpen in de buurt tot gevolg kunnen hebben. Maai geen nat gras. Maaien gaat het best als het gras niet nat is omdat het anders aan de onderkant van het maaidek gaat plakken en daardoor het maaien wordt gehinderd. Maai niet meer dan 1/3 van de graslengte. Voor maaien wordt aangeraden het gras 1/3 van de lengte korter te maaien. De voorwaartse snelheid moet zodanig aangepast worden dat het versnipperde gras gelijkmatige over het gazon wordt verdeeld. Speciaal tijdens het zwaar maaien van dik gras kan het nodig zijn om de laagste snelheid te gebruiken om de grassprietten schoon en goed te maaien. Als het gras langer is kunt u het gazon in twee fasen maaien door de maaihoogte nog een keer met 1/3 van de graslengte te verlagen en misschien in een andere richting te maaien dan de eerste keer. Door toepassing van een kleine overlapping op elk maaipad kunt u de eventueel op het gazon achtergebleven grassprietten opruimen. De maaier moet altijd op het hoogste toerental draaien voor het beste maaieresultaat en om zo effectief mogelijk te maaien. Maak de onderkant van het maaidek schoon. Zorg dat de onderkant van het maaidek na elk gebruik wordt schoongemaakt om ophoping van grasresten te voorkomen waardoor een goed mulchresultaat wordt gehinderd. Bladeren maaien. Het maaien van bladeren kan uw gazon ten goede komen. Als u bladeren gaat maaien, moet u zorgen dat ze droog zijn en niet in een dikke laag op het gazon liggen. Wacht niet tot alle bladeren van de bomen zijn gevallen voordat u gaat maaien.



WAARSCHUWING: Schakel de motor uit na het raken van een vreemd voorwerp. Maak de bougiekabel los, controleer de grasmaaier grondig op beschadigingen en herstel de beschadiging voordat u de grasmaaier opnieuw gaat starten en gebruiken. Buitensporige trillingen in de grasmaaier kunnen op een beschadiging duiden. De grasmaaier moet onmiddellijk worden nagekeken en gerepareerd.

7-7 GRASOPVANGBAK

Op de bovenkant van de grasopvangbak zit een niveau-aanduiding die aangeeft of de grasopvangbak leeg of vol is (**zie afb. 32 en 33**):

- De niveau-aanduiding staat open wanneer de grasopvangbak nog niet vol zit tijdens het maaien (**zie afb. 33**).

- Als de grasopvangbak vol is, zakt de niveau-aanduiding omlaag. Nadat dit is gebeurd, stopt u onmiddellijk met maaien en maakt u de grasopvangbak leeg. Controleer of de grasopvangbak schoon is en het luchtrooster open is (zie afb. 32)

BELANGRIJK

Als de opening van de niveau-aanduiding erg vuil is, zal de niveau-aanduiding niet open gaan. In dat geval maakt u de opening van de niveau-aanduiding onmiddellijk schoon.

7-8 MAAIDEK

De onderkant van het maaidek moet na elk gebruik worden schoongemaakt om ophoping van grasresten, bladeren, vuil of anders te voorkomen. Als dit vuil kan ophopen, krijgen roest en corrosie vrij baan en zal goed mulchen niet mogelijk zijn. Het maaidek kan schoongemaakt worden door de grasmaaier te kantelen en schoon te schrapen met een toepasselijk gereedschap (zorg dat de bougiekabel is losgemaakt).

7-9 DE MAAIHOOGTE INSTELLEN



LET OP: Verander in geen geval een instelling aan de grasmaaier zonder eerst de motor uit te schakelen en de bougiekabel los te maken.



LET OP: Voordat u de maaihogte verandert moet u eerst de motor uitschakelen en de bougiekabel losmaken.

Uw grasmaaier heeft een centrale maaihogte-instelhendel met 8 hoogtestanden.

De hoogte (van maimes tot grond) kan worden ingesteld van 20 mm tot 75 mm (8 hoogtestanden) (zie afb. 34). De onderste instelling: 20 mm (stand 1); de hoogste instelling: 75 mm (stand 8).

1. Schakel de grasmaaier uit en maak de bougiekabel los voordat u de maaihogte verandert.
2. De centrale maaihogte-instelhendel heeft 8 verschillende hoogtestanden. (zie afb. 34)

De maaihogte verandert u door de maaihogte-instelhendel naar het wiel te duwen en omhoog of omlaag te verplaatsen naar de gewenste maaihogtestand.

8. ONDERHOUD

BOUGIE

Gebruik voor vervanging alleen originele bougies. Het beste is om de bougie na 100 bedrijfsuren te vervangen.

9. SMERING



LET OP: MAAK DE BOUGIEKABEL LOS VOORDAT U ONDERHOUDSWERKZAAMHEDEN GAAT UITVOEREN.

1. WIELEN - Smeer de kogellagers in elk wiel minstens een keer per seizoen met lichte olie.
2. MOTOR - Volg de aanwijzingen voor het smeren in de gebruiksaanwijzing voor de motor op.

10. SCHOONMAKEN



LET OP: Spuit geen water op de motor. Water kan schade toebrengen aan de motor en het brandstofsysteem vervuilen.

1. Veeg het maaidek schoon met een droge doek.
2. Spuit de onderkant van het maaidek schoon nadat de grasmaaier zodanig is gekanteld dat de bougie naar boven is gericht.

10-1 MOTORLUCHTFILTER



LET OP: Zorg dat vuil of stof het schuimrubberen filterelement niet kan verstopen. Het motorluchtfilterelement moet worden onderhouden (schoongemaakt) na 25 uur normaal maaien. Het schuimrubberen filterelement moet regelmatig schoongemaakt worden wanneer de grasmaaier onder droge en stoffige omstandigheden wordt gebruikt.

LUCHTFILTER SCHOONMAKEN

1. Verwijder de schroef. (zie afb. 35 voor PLM4632 en PLM5130)
2. Verwijder de vergrendelknop. (zie afb. 36 voor PLM4630 en PLM4631)
3. Verwijder de filterkap.
4. Was het filterelement met water en zeep. **GEBRUIK GEEN BENZINE!**
5. Droog het element in de open lucht.
6. Plaats een paar druppels SAE30-olie op het schuimrubberen filterelement en knijp het stevig samen om het overschot aan olie te verwijderen.
7. Plaats het filter terug.

OPMERKING: Vervang het filter als het is gerafeld, gescheurd of beschadigd, of als het niet meer kan worden schoongemaakt.

10-2 MAAIMES



LET OP: Maak de bougiekabel los en aard deze voordat u aan het maimes gaat werken om per ongeluk starten te voorkomen. Bescherm uw handen door werkhandschoenen te dragen of een doek te gebruiken als u het maimes vastpakt. Kantel de grasmaaier zoals aangegeven in de aparte gebruiksaanwijzing voor de motor. Verwijder de zeskantbout en ring waarmee het maimes en bijbehorende adapter op de uitgaande as van de motor zijn bevestigd. Verwijder het maimes en de adapter vanaf de uitgaande as van de motor.



WAARSCHUWING: Controleer regelmatig de maimesadapter op scheuren, vooral na het raken van een vreemd voorwerp. Vervang indien nodig. Voor het beste resultaat moet het maimes scherp zijn. Het maimes kan weer scherp worden gemaakt door het te verwijderen en de snijkant te slijpen of te vijlen, waarbij de originele snijhoek zo goed mogelijk gehandhaafd moet blijven. Het is uitermate belangrijk dat elke snijkant evenveel wordt geslepen om te voorkomen dat het maimes in onbalans raakt. Een onjuiste balans van het maimes veroorzaakt sterke trillingen dat weer kan leiden

tot eventuele schade aan de motor en grasmaaiër. Zorg dat het maaiëms zorgvuldig uitgebalanceerd wordt na het slijpen. De balans van het maaiëms kan worden gecontroleerd door het op de ronde steel van een schroevendraaier te balanceren. Verwijder een beetje materiaal van het zwaardere gedeelte totdat de balans weer is hersteld (zie afb. 37).

Voordat het maaiëms en de adapter weer op de grasmaaiër gemonteerd worden, smeert u de uitgaande as van de motor en de binnenkant van de maaiëmsadapter met een lichte olie. Monteer de maaiëmsadapter op de uitgaande as. Raadpleeg afb. 37. Monteer het maaiëms met het onderdeelnummer afgekeerd van de adapter. Leg de ring op juiste wijze op het maaiëms en steek de zeskantbout erdoor. Draai de zeskantbout vast met een draaikoppel, zoals hieronder aangegeven.

10-3 DRAAIKOPPEL VOOR MAIËMS

Draai de centrale bout aan met een koppel van 40 Nm tot 50 Nm om verzekerd te zijn van een veilige werking van het gereedschap. Alle moeren en bouten moeten regelmatig nagekeken worden of ze nog goed vastzitten. Na langdurig gebruik, vooral op ondergronden met veel zand, zal het maaiëms slijten en zijn oorspronkelijke vorm verliezen. Het maaiën gaat steeds slechter en het maaiëms moet worden vervangen. Vervang het alleen met een maaiëms dat door de fabrikant is goedgekeurd. De fabrikant is niet verantwoordelijk voor eventuele schade die veroorzaakt wordt door de onbalans van het maaiëms. Bij vervanging van het maaiëms moet u gebruikmaken van een origineel vervangingsonderdeel waarvan het nummer is aangegeven op het maaiëms (MAKITA 263001451 voor PLM4630, PLM4631 en PLM4632; MAKITA 263002552 voor PLM5130) (het maaiëms kunt u bestellen bij uw plaatselijke dealer of door telefonisch contact op te nemen met ons bedrijf - zie de kaft).

10-4 MOTOR

Raadpleeg de aparte gebruiksaanwijzing voor de motor voor aanwijzingen met betrekking tot motoronderhoud. Behandel de motorolie zoals aangegeven in de aparte gebruiksaanwijzing voor de motor dat bij de grasmaaiër is geleverd. Lees en volg de instructies zorgvuldig. Onderhoud onder normale omstandigheden het luchtfilter zoals aangegeven in de aparte gebruiksaanwijzing voor de motor.

Bij zeer stoffige omstandigheden moet het steeds na enkele uren schoongemaakt worden. Slechte motorprestaties en het verzuipen van de motor zijn meestal aanwijzingen dat het luchtfilter onderhouden moet worden.

Raadpleeg de aparte gebruiksaanwijzing voor de motor die bij de grasmaaiër is geleverd, voor het onderhoud van het luchtfilter.

Een keer per seizoen moet de bougie worden schoongemaakt en de elektrodenafstand opnieuw worden ingesteld. Het wordt aangeraden om aan het begin van elk maaiseizoen de bougie te vervangen. Raadpleeg de aparte gebruiksaanwijzing voor de motor voor het juiste bougietype en specificatie van de elektrodenafstand. Maak de motor regelmatig schoon met een doek of borstel. Houd het koelsysteem (ventilatorbehuizing) schoon om een goede luchtcirculatie te realiseren die

essentieel is voor het vermogen en de levensduur van de motor. Zorg dat al het gras, vuil en brandbare rommel rondom de uitlaatdemper is verwijderd.

11. OPBERGEN (BUITEN HET SEIZOEN)

De volgende stappen moet u nemen om de grasmaaiër voor te bereiden om hem op te bergen.

1. Maak de brandstoftank leeg na de laatste maaibeurt van een seizoen.
- a) Maak de brandstoftank leeg met een zuigpomp.



LET OP: Tap de benzine niet af in een afgesloten vertrek, in de buurt van open vuur, terwijl u rookt, enz. Benzinedampen kunnen een explosie of brand veroorzaken.

- b) Start de motor en laat deze draaien tot alle resterende benzine is opgebruikt en afslaat.
- c) Verwijder de bougie. Gebruik een oliekannetje om ongeveer 20 ml olie in de verbrandingskamer te gieten. Bedien de starter zodat de olie in de verbrandingskamer gelijkmatig wordt verdeeld. Plaats de bougie terug.
2. Reinig en smeer de grasmaaiër zorgvuldig zoals hierboven beschreven onder "SMERING".
3. Smeer het maaiëms licht in om roesten te voorkomen.
4. Berg de grasmaaiër op in een droge, schone en vorstvrije ruimte, buiten het bereik van onbevoegde personen.



LET OP: De motor moet volledig afgekoeld zijn voordat u de grasmaaiër mag opbergen.



OPMERKING:

- Een gereedschap met een verbrandingsmotor mag niet worden opgeborgen in een schuur die niet is geventileerd of waarin materialen worden opgeslagen.
- Zorg ervoor dat het gereedschap tegen roest wordt beschermd. Smeer het gereedschap, met name de kabels en alle bewegende delen, met een lichte olie of silicone.
- Pas op dat u de kabels niet buigt of knikt.
- Als het startkoord is losgeschoten uit de koordgeleider op de handgreep, moet u de bougiekabel losmaken en aarden, de stophandgreep intrekken en het startkoord langzaam uit de motor trekken. Schuif het startkoord in de koordgeleider op de handgreep.

Vervoeren

Schakel de motor uit. Zorg ervoor dat het maaiëms niet wordt verbogen of beschadigd wanneer u de grasmaaiër over obstakels duwt.

12. PROBLEMEN OPLOSSEN

PROBLEEM	MOGELIJKE OORZAAK	OPLOSSING
Motor start niet.	Gas-chokehendel staat gezien de huidige omstandigheden niet in de juiste stand.	Gas-chokehendel in de juiste stand zetten.
	Brandstoftank is leeg.	Vul de brandstoftank met brandstof: raadpleeg de GEBRUIKSAANWIJZING VOOR DE MOTOR.
	Luchtfilterelement is vuil.	Luchtfilterelement schoonmaken: raadpleeg de GEBRUIKSAANWIJZING VOOR DE MOTOR.
	Bougie zit los.	Bougie met een draaikoppel van 25 tot 30 Nm vastdraaien.
	Bougiekabel zit los of is losgeraakt van de bougie.	Bougiekabel op de bougie bevestigen.
	Elektrodenafstand van de bougie is niet correct.	Elektrodenafstand op 0,7 tot 0,8 mm instellen.
	Bougie is defect.	Nieuwe bougie met de juiste elektrodenafstand plaatsen: raadpleeg de GEBRUIKSAANWIJZING VOOR DE MOTOR.
	Carburateur is verzopen met benzine.	Luchtfilterelement verwijderen, voortdurend aan het startkoord trekken totdat de carburateur leeg is en daarna een nieuw luchtfilterelement plaatsen.
	Defecte ontstekingsmodule.	Neem contact op met een servicecentrum.
Motor is moeilijk te starten of verliest vermogen.	Vuil, water of oude brandstof in de brandstoftank.	Tap de brandstoftank af en reinig deze. Vul de brandstoftank met schone, nieuwe brandstof.
	Het ventilatiegatje in de brandstofvuldop zit verstopt.	Reinig of vervang de brandstofvuldop.
	Luchtfilterelement is vuil.	Luchtfilterelement reinigen.
Motor draait onregelmatig.	Bougie is defect.	Nieuwe bougie met de juiste elektrodenafstand plaatsen: raadpleeg de GEBRUIKSAANWIJZING VOOR DE MOTOR.
	Elektrodenafstand van de bougie is niet correct.	Elektrodenafstand op 0,7 tot 0,8 mm instellen.
	Luchtfilterelement is vuil.	Luchtfilterelement schoonmaken: raadpleeg de GEBRUIKSAANWIJZING VOOR DE MOTOR.
Motor draait slecht stationair.	Luchtfilterelement is vuil.	Luchtfilterelement schoonmaken: raadpleeg de GEBRUIKSAANWIJZING VOOR DE MOTOR.
	Luchtsleuven in de motorafdekking zijn verstopt.	Vuil uit de sleuven verwijderen.
	Koelribben en luchtwegen onder de ventilatorbehuizing van de motor zijn verstopt.	Vuil van de koelribben en luchtwegen verwijderen.
Motor slaat over bij een hoog toerental.	Afstand tussen elektroden van de bougie is te klein.	Elektrodenafstand op 0,7 tot 0,8 mm instellen.
Oververhitte motor.	Koelluchtstroom geblokkeerd.	Alle vuil uit de sleuven van de motorafdekking, ventilatorbehuizing en luchtwegen verwijderen.
	Verkeerde bougie.	Voor PLM4630 en PLM4631: RJ19LMC-bougie en koelribben op de motor monteren. Voor PLM4632 en PLM5130: QC12YC-bougie en koelribben op de motor monteren.
Grasmaaier trilt buitensporig.	Maaimes zit los.	Maaimes vastzetten.
	Maaimes is in onbalans.	Maaimes uitbalanceren.

13. MILIEU

Wanneer uw gereedschap na langdurig gebruik vervangen moet worden, moet u het niet bij het huisvuil zetten, maar moet u het op een milieuverantwoorde wijze verwerken.

Alleen voor Europese landen

EU-verklaring van conformiteit

Wij, Makita Corporation, als de verantwoordelijke fabrikant, verklaren dat de volgende Makita-machine(s):

Aanduiding van de machine: Grasmaaier met benzinemotor

Modelnr./Type: PLM4630, PLM4631, PLM4632 en PLM5130

Technische gegevens: Zie "4. TECHNISCHE GEGEVENS" in serie zijn geproduceerd en

Voldoen aan de volgende Europese richtlijnen:

2004/108/EC, 2006/42/EC,
2000/14/EC en 2005/88/EC

En zijn gefabriceerd in overeenstemming met de volgende normen of genormaliseerd documenten:
EN 836, EN ISO 14982

De technische documentatie wordt bewaard door:

Makita International Europe Ltd.,
Technical Department,
Michigan Drive, Tongwell,
Milton Keynes, Bucks MK15 8JD, Engeland

De conformiteitsbeoordelingsprocedure vereist door Richtlijn 2000/14/EC was is Overeenstemming met Annex VI.

Officiële instantie:

TÜV SÜD Industrie Service GmbH
Westendstraße 199, D-80686 München, Duitsland
Identificatienummer: 0036

Model: PLM4630 en PLM4631

Gemeten geluidsvermogeniveau: 94,2 dB (A)
Gegarandeerd geluidsvermogeniveau: 96 dB (A)

Model: PLM4632

Gemeten geluidsvermogeniveau: 94,3 dB (A)
Gegarandeerd geluidsvermogeniveau: 96 dB (A)

Model: PLM5130

Gemeten geluidsvermogeniveau: 95,9 dB (A)
Gegarandeerd geluidsvermogeniveau: 98 dB (A)

30. 11. 2012



Tomoyasu Kato
Directeur
Makita Corporation
3-11-8, Sumiyoshi-cho,
Anjo, Aichi, 446-8502 JAPAN

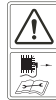
Explicación de los dibujos

- | | | |
|---------------------------------------|------------------------------------|------------------------------------|
| 1. Mango de control de los frenos | 11. Canal de descarga lateral | 22. Perno |
| 2. Mango superior | 12. Tapa lateral | 23. Arandela |
| 3. Mango de control de autopropulsión | 13. Cubierta | 24. Pomo de bloqueo |
| 4. Palanca del estrangulador | 14. Bujía | 25. Contratuerca |
| 5. Mango del motor de arranque | 15. Tapa de aceite | 26. Engranaje de ajuste del ángulo |
| 6. Guía de la cuerda | 16. Tapa de combustible | 27. Botón |
| 7. Palanca de bloqueo | 17. Acoplamiento del cable | 28. Tapa de aceite/varilla |
| 8. Mango inferior | 18. Anilla de fijación del cable | 29. Máx.: límite superior |
| 9. Saco de recogida | 19. Palanca de ajuste de velocidad | 30. Mín.: límite inferior |
| 10. Palanca de ajuste de altura | 20. Cuña para mulching (acolchado) | 31. Tornillo |
| | 21. Indicador de nivel | |



ADVERTENCIA:

Por su propia seguridad, lea este manual antes de intentar usar la nueva unidad. Si no sigue las instrucciones puede sufrir graves lesiones personales. Dedique unos momentos a familiarizarse con la cortadora de césped antes de cada uso.



Durante las reparaciones, retire la bujía y realice las reparaciones de acuerdo con el manual de operaciones.



Precaución: Motor caliente.

1. SÍMBOLOS MARCADOS EN EL PRODUCTO



Lea el manual del operario.



Mantenga alejadas a las personas circundantes.



Preste más atención a las manos y los pies del operario para evitar lesiones.



El combustible es inflamable, manténgalo alejado del fuego. No añada combustible con la máquina en funcionamiento.



Humos tóxicos; no la utilice en un espacio cerrado.



Cuando corte, utilice gafas y tapones para los oídos para protegerse.

2. NORMAS GENERALES DE SEGURIDAD



ADVERTENCIA: Cuando se utilicen herramientas a gasolina, siempre deben tomarse precauciones de seguridad para reducir el riesgo de lesiones personales graves y/o daños en la unidad. Lea todas estas instrucciones antes de utilizar este producto y guárdelas para futuras consultas.



ADVERTENCIA: Esta máquina crea un campo electromagnético durante su funcionamiento. En ciertas circunstancias este campo puede interferir con implantes médicos activos o pasivos. Para reducir el riesgo de lesiones graves o fatales, se recomienda a las personas con implantes médicos que consulten con su doctor y el fabricante del implante médico antes de utilizar esta máquina.

Formación

- Lea las instrucciones atentamente. Familiarícese con los controles y el uso correcto del equipo.
- Nunca deje que los niños o personas que no estén familiarizadas con estas instrucciones utilicen la cortadora de césped. Las normas locales pueden establecer una edad máxima para el operario.
- Nunca corte césped mientras haya cerca personas, especialmente niños, o animales.
- Tenga en cuenta que el operario o el usuario es responsable de los accidentes o situaciones de peligro que se produzcan para otras personas o su propiedad.

Preparativos

- Mientras corte césped, utilice calzado robusto y pantalones largos. No utilice el equipo cuando esté descalzo o calce sandalias abiertas.
- Inspeccione minuciosamente dónde se va a usar el equipo y retire todos los objetos que puedan salir despedidos de la máquina.
- **ADVERTENCIA-** La gasolina es muy inflamable.
 - almacene el combustible en contenedores diseñados específicamente para ese propósito;
 - reposte únicamente en exteriores y no fume durante el repostaje;
 - añada combustible antes de poner en marcha el motor. Nunca retire la tapa del depósito de combustible ni añada gasolina mientras el motor esté funcionando o cuando el motor esté caliente;
 - si se derrama gasolina, no intente poner en marcha el motor, aleje la máquina del área del derrame y no cree ninguna fuente de ignición hasta que se hayan disipado los vapores;
 - vuelva a colocar las tapas del depósito de combustible y del contenedor y fíjelas.
- Sustituya los silenciadores defectuosos.
- Antes del uso, inspeccione visualmente las cuchillas para asegurarse de que los pernos de la cuchilla o el conjunto de la cuchilla no estén gastados o dañados. Sustituya los pernos y las cuchillas gastadas o dañadas en conjuntos para conservar el equilibrio.

Funcionamiento

- No haga funcionar el motor en un espacio cerrado en el que se puedan acumular los peligrosos vapores de monóxido de carbono.
- Corte el césped solamente de día o con una buena luz artificial.
- No utilice el equipo con césped húmedo cuando sea posible.
- Asegúrese siempre de que mantiene un buen equilibrio en pendientes.
- Camine, nunca corra.
- Para máquinas giratorias con ruedas, corte césped de un lado a otro, nunca arriba y abajo.
- Tenga el máximo cuidado cuando cambie de dirección en pendientes.
- No corte césped en pendientes con una inclinación excesiva.
- Tenga el máximo cuidado cuando invierta la marcha o tire de la cortadora de césped hacia usted.
- Detenga la cuchilla si la cortadora de césped debe inclinarse para su transporte cuando cruce superficies que no sean césped, y cuando la transporte desde y hacia el área en la que debe cortarse el césped.
- Nunca utilice la cortadora de césped con protecciones defectuosas o sin instalar dispositivos de seguridad, por ejemplo deflectores y/o sacos de recogida.
- No cambie los ajustes del regulador del motor ni lo haga funcionar a un régimen demasiado elevado.
- Desembrague todos los engranajes del motor y las cuchillas antes de poner en marcha el motor.
- Ponga en marcha el motor con cuidado, de acuerdo con las instrucciones, y mantenga los pies alejados de las cuchillas.

- No incline la cortadora de césped cuando ponga en marcha el motor.
- No ponga en marcha el motor cuando permanezca delante del transportador de salida.
- No coloque las manos o los pies cerca o debajo de las piezas que giran. Manténgase alejado de la abertura de salida en todo momento.
- Nunca alce o transporte la cortadora de césped mientras el motor esté en funcionamiento.
- Detenga el motor y desconecte el cable de la bujía, asegúrese de que todas las partes en movimiento se hayan detenido por completo y retire la llave si la hay:
 - antes de despejar atascos o desbloquear el conducto de salida;
 - antes de comprobar, limpiar o trabajar en la cortadora de césped;
 - después de golpear un objeto extraño. Compruebe si la cortadora de césped está dañada y realice las reparaciones antes de volver a poner en marcha la cortadora de césped y utilizarla;
 - si la cortadora de césped empieza a vibrar de modo anómalo (compruébela inmediatamente).
- Detenga el motor y desconecte el cable de la bujía, asegúrese de que todas las partes en movimiento se hayan detenido por completo y retire la llave si la hay:
 - cuando la deje desatendida;
 - antes de repostar.
- Suelte el acelerador durante el apagado y, si el motor cuenta con una válvula de cierre, corte el combustible cuando acabe de cortar el césped.

Mantenimiento y almacenamiento

- Mantenga todas las tuercas, los pernos y los tornillos apretados para asegurarse de que el equipo está en un estado seguro de funcionamiento.
- Nunca almacene el equipo con gasolina en el depósito dentro de un edificio en el que los vapores puedan llegar a una llama o una chispa.
- Deje que el motor se enfríe antes de almacenarlo en cualquier contenedor.
- Para reducir el riesgo de incendio, mantenga el motor, el silenciador, el compartimento de la batería y el área de almacenamiento de gasolina libres de césped, hojas o un exceso de grasa.
- Compruebe el saco de recogida frecuentemente en busca de desgastes o deterioros.
- Reemplace las piezas gastadas o dañadas por su seguridad.
- Si se debe purgar el depósito de combustible, debe realizarse al aire libre.



ADVERTENCIA: No toque la cuchilla en movimiento.



ADVERTENCIA: Reposte en un área bien ventilada con el motor apagado.

3. DESCRIPCIÓN DE LAS PIEZAS (Fig. 1, Fig. 2, Fig. 3, Fig. 4)

Incluyendo

A: Llave para bujías

4. DATOS TÉCNICOS

Modelo	PLM4630	PLM4631	PLM4632	PLM5130
Tipo de motor	Serie B&S 675EX, ReadyStart	Serie B&S 675EX, ReadyStart	Serie B&S 750EX, ReadyStart	Serie B&S 750EX, ReadyStart
Autopropulsado	No	Sí	Sí	Sí
Cilindrada del motor	190 cm ³	190 cm ³	161 cm ³	161 cm ³
Ancho de la cuchilla	460 mm	460 mm	460 mm	510 mm
Velocidad nominal	2.800/min	2.800/min	2.800/min	2.800/min
Capacidad del depósito de combustible	1,0 L	1,0 L	1,0 L	1,0 L
Capacidad del depósito de aceite	0,6 L	0,6 L	0,6 L	0,6 L
Capacidad del saco de recogida	60 L	60 L	60 L	65 L
Peso neto	31,5 kg	34 kg	35 kg	38 kg
Ajuste de altura	20-75 mm, 8 ajustes	20-75 mm, 8 ajustes	20-75 mm, 8 ajustes	20-75 mm, 8 ajustes

	PLM4630	PLM4631	PLM4632	PLM5130
Nivel de presión sonora garantizado en la posición del operario (de acuerdo con EN ISO 3744, EN ISO 4871)	83,5 dB (A) (K=3 dB (A))	83,5 dB (A) (K=3 dB (A))	83,9 dB (A) (K=3 dB (A))	85,7 dB (A) (K=3 dB (A))
Nivel de potencia sonora medido	94,2 dB (A) K=1,95 dB (A)	94,2 dB (A) K=1,95 dB (A)	94,3 dB (A) K=1,80 dB (A)	95,9 dB (A) K=2,16 dB (A)
Nivel de potencia sonora garantizado (de acuerdo con 2000/14/CE)	96 dB (A)	96 dB (A)	96 dB (A)	98 dB (A)
Vibración (de acuerdo con EN ISO 20643)	6,58 m/s ² K=1,5 m/s ²	6,58 m/s ² K=1,5 m/s ²	7,12 m/s ² K=1,5 m/s ²	6,53 m/s ² K=1,5 m/s ²

5. MONTAJE

5-1 MONTAJE DEL MANGO DE PLEGADO

1. Fije el mango inferior al soporte del mango con un perno, una arandela y un pomo de bloqueo. **(Fig. 5)**
2. Levante las dos palancas de bloqueo para conectar el mango superior e inferior. **(Fig. 6)**
3. Empuje la palanca de bloqueo para cerrarla y bloquear los manillares en la posición de uso. **(Fig. 7)**
4. Ajuste la tensión girando la contratuerca con una llave inglesa adecuada. **(Fig. 8)**
5. Coloque el cable sobre el eje del mango. Fijelo alrededor de la parte media del mango inferior mediante el acoplamiento del cable y asegúrese de que el cable quede fijado alrededor de la parte exterior del mango. **(Fig. 9, Fig. 10)** De lo contrario, el cable puede pinzarse al abrir/cerrar la cubierta trasera.

5-2 AJUSTE DE UN ÁNGULO ADECUADO

- 1) Tire de la abertura de la palanca de bloqueo.
- 2) Gire el engranaje de ajuste del ángulo del centro del mango superior para ajustar un ángulo apropiado en el intervalo de -15° a 15° (3 posiciones: -15°/0°/15°) como se muestra en la **Fig. 11**.
- 3) Cierre la palanca de bloqueo para conectar el mango inferior y el mango superior.

5-3 MONTAJE Y DESMONTAJE DEL SACO DE RECOGIDA

1. Para montarlo: Levante la cubierta trasera y enganche el saco de recogida a la parte posterior de la cortadora de césped. **(Fig. 12, Fig. 13, Fig. 14)**
2. Para extraerlo: Sujete y levante la cubierta trasera y retire el saco de recogida.

5-4 MANGO DEL MOTOR DE ARRANQUE

Mueva el mango del motor de arranque del motor a la guía de la cuerda. **(Fig. 15)**

5-5 ALTURA DE CORTE

Ejercer una presión hacia fuera para desenganchar la palanca del bastidor. Mueva la palanca hacia delante o hacia atrás para ajustar la altura. **(Fig. 16 y punto 7-9)**

6. FUNCIÓN

Estas cortadoras de césped se pueden adaptar desde su función normal, en función de la finalidad de la aplicación: De la cortadora de césped con recogida trasera a:

1. Cortadora de mulching o
2. Cortadora de césped de descarga lateral.

¿Qué es el mulching?

Cuando realice la operación de mulching, el césped se cortará en un paso y después se triturará en fragmentos muy pequeños y se devolverá a la tira de césped como fertilizante natural.

Consejos para el corte de césped con mulching:

- Recorte normal con una altura máxima de césped de 2 cm, de 6 cm a 4 cm.
- Use una cuchilla de corte afilada.
- No corte césped húmedo.
- Ajuste la velocidad de motor máxima.
- Desplácese solamente al paso de trabajo.
- Limpie regularmente la cuña para mulching, el lado interior del chasis y la cuchilla de corte de césped.

Inicio de la operación

6-1 Adaptación para la cortadora de mulching



ADVERTENCIA: Sólo con el motor detenido y la cuchilla detenida por completo.

1. Levante la cubierta trasera y retire el saco de recogida.
2. Empuje la cuña de mulching hacia la cubierta. Bloquee la cuña de mulching con el botón en la apertura de la cubierta. (Fig. 17, Fig. 18)
3. Vuelva a bajar la cubierta trasera. (Fig. 19)
4. Levante la tapa lateral y extraiga el canal de descarga lateral.

6-2 Reajuste para el corte con descarga lateral



¡Sólo cuando el motor y la cuchilla de corte están detenidos!

1. Levante la cubierta trasera y retire el saco de recogida.
2. Monte la cuña de mulching.
3. Levante la tapa lateral para la descarga lateral. (Fig. 20)
4. Monte el canal de descarga lateral para la descarga lateral en el pasador de soporte de la tapa lateral. (Fig. 21)
5. Baje la tapa lateral; la tapa descansará sobre el canal de descarga lateral. (Fig. 22)

6-3 Corte de césped con el saco de recogida



Sólo con el motor detenido y la cuchilla detenida por completo.

Para cortar césped con el saco de recogida, retire la cuña de mulching y el canal de descarga para la descarga lateral y monte el saco de recogida.

1. Extracción de la cuña de mulching.
 - Levante la cubierta trasera y retire la cubierta de mulching.
2. Extracción del canal de descarga lateral para la descarga lateral.
 - Levante la tapa lateral y extraiga el canal de descarga lateral.
 - La tapa lateral cierra automáticamente la abertura de descarga del alojamiento mediante la fuerza del muelle.

- Limpie periódicamente la tapa lateral y la abertura de descarga de restos de césped y suciedad incrustada.

3. Monte el saco de recogida.
 - Para montarlo: Levante la cubierta trasera y enganche el saco de recogida a la parte posterior de la cortadora de césped.
 - Para extraerlo: Sujete y levante la cubierta trasera y retire el saco de recogida.

7. INSTRUCCIONES DE FUNCIONAMIENTO

7-1 ANTES DE EMPEZAR

Reposte gasolina y aceite en el motor tal y como se indica en el manual de instrucciones del motor que se incluye por separado con la cortadora de césped. Lea las instrucciones atentamente. (Fig. 23, Fig. 24, Fig. 25, Fig. 26)



ADVERTENCIA: La gasolina es muy inflamable.

Almacene el combustible en contenedores diseñados específicamente para ese propósito.

Reposte solamente al aire libre, antes de poner en marcha el motor y no fume mientras reposta o manipula el combustible.

Nunca retire la tapa del depósito de combustible ni añada gasolina mientras el motor está funcionando o cuando el motor esté caliente.

Si se derrama gasolina, no intente poner en marcha el motor, aleje la máquina del área del derrame y no cree ninguna fuente de ignición hasta que se hayan disipado los vapores.

Vuelva a colocar las tapas del depósito de combustible y del contenedor y fíjelas.

Antes de inclinar la cortadora de césped para realizar el mantenimiento de la cuchilla o drenar el aceite, retire el combustible del depósito.



ADVERTENCIA: Nunca rellene el depósito de combustible en un recinto cerrado, con el motor funcionando o cuando el motor no se haya dejado enfriar durante 15 minutos como mínimo tras su uso.

7-2 PARA PONER EN MARCHA EL MOTOR Y ENGRANAR LA CUCHILLA

1. La unidad está equipada con un capuchón de goma sobre el extremo de la bujía, asegúrese de que el bucle metálico del cable de la bujía (dentro del capuchón de goma) esté fijado firmemente en la punta metálica de la bujía.
2. Cuando ponga en marcha el motor, coloque la palanca del estrangulador en la posición "☁". Cuando ponga en marcha el motor en caliente y durante las operaciones, gire la palanca del estrangulador del acelerador en la posición "☁". (Fig. 27)
3. Colóquese detrás de la unidad, agarre el mango de control de freno y sujételo contra el mango superior, como se muestra en la Fig. 28.

4. Sujete el mango del motor de arranque como se muestra en la **Fig. 28** y tire de él rápidamente. Devuélvalo lentamente al perno de guía de la cuerda después de que el motor se haya puesto en marcha. Suelte el mango de control de freno para detener el motor y la cuchilla.



Ponga en marcha el motor con cuidado de acuerdo con las instrucciones y mantenga los pies alejados de la cuchilla.



No incline la cortadora de césped a gasolina cuando ponga en marcha el motor. Ponga en marcha la cortadora de césped en una superficie plana, sin césped alto ni obstáculos.



Mantenga las manos y los pies alejados de las partes giratorias. No ponga en marcha el motor cuando permanezca delante de la abertura de salida.

7-3 PROCEDIMIENTOS DE UTILIZACIÓN

Durante el uso, sujete firmemente el mango de control de freno con ambas manos.

Nota: Durante el uso, cuando se suelte el mango de control de freno, el motor se detendrá y, por lo tanto, se detendrá la cortadora de césped.

7-4 PARA DETENER EL MOTOR



PRECAUCIÓN: La cuchilla sigue girando durante unos segundos después de apagar el motor.

1. Suelte el mango de control de freno para detener el motor y la cuchilla. (**Fig. 29**)
2. Desconecte y conecte a tierra el cable de la bujía tal y como se indica en el manual del motor para evitar la puesta en marcha accidental mientras el equipo está desatendido.


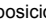
7-5 CONEXIÓN PARA EL MOVIMIENTO AUTOMÁTICO

Para PLM4631

Agarre el mango de control de autopropulsión, la cortadora de césped avanzará automáticamente con una velocidad aproximada de 3,6 km/h (**Fig. 30**). Si suelta el mango de autopropulsión, la cortadora de césped se detendrá.

Para PLM4632, PLM5130

La cortadora de césped cuenta con un sistema de ajuste de velocidad con 3 ajustes de velocidad de 3,0 km/h a 4,5 km/h.

Posición “”: la posición más lenta; Posición “”: la posición más rápida. (**Fig. 31**)

Los pasos de ajuste son:

1. Suelte el mango de control de autopropulsión hasta que la cortadora de césped no avance.
2. Ajuste la velocidad que desee. (**Fig. 31**)
3. Agarre el mango de control de autopropulsión para continuar cortando el césped. (**Fig. 30**)



PRECAUCIÓN: La cortadora de césped se ha diseñado para cortar césped normal de zonas residenciales de una altura no superior a 250 mm. No intente cortar césped inusualmente alto o césped húmedo (p. ej. una zona de pastura) o montones de hojas secas. Se pueden acumular restos en la cubierta de la cortadora de césped o pueden entrar en contacto con la salida de gases del motor y provocar un riesgo de incendio.

7-6 PARA OBTENER LOS MEJORES RESULTADOS DURANTE LA OPERACIÓN DE CORTE DE CÉSPED

Limpie el césped de escombros. Asegúrese de que el césped esté libre de piedras, palos, cables u otros objetos extraños que pudieran salir despedidos accidentalmente de la cortadora de césped en cualquier dirección y que podrían provocar lesiones personales graves al operario y a terceros, así como a la propiedad y objetos circundantes. No corte césped húmedo. Para lograr una operación de corte de césped eficaz, no corte césped húmedo, ya que tiende a adherirse a la parte inferior de la cubierta, lo que impide una operación de corte de césped correcta del césped cortado. No corte más de 1/3 de la longitud del césped. El corte recomendado para la operación de corte de césped es de 1/3 de la longitud del césped. La velocidad de desplazamiento se deberá ajustar para que el césped cortado se disperse uniformemente sobre el terreno. Para los cortes especialmente pesados en césped grueso, puede ser necesario usar una de las velocidades más lentas para obtener un corte con la operación de corte de césped bien realizada. Cuando realice la operación de corte de césped sobre césped largo, quizás deba cortar el césped en dos pasadas, bajando la cuchilla otro 1/3 de la longitud para el segundo corte y quizás deba cortar en un patrón diferente del que se utilizó por primera vez. Un solapamiento ligero del corte en cada pasada también ayudará a eliminar los recortes de césped compactados que hayan quedado en el césped. La cortadora de césped siempre se debe utilizar con el acelerador al máximo para obtener el mejor corte y permitir que se realice el trabajo de corte de césped más efectivo posible. Limpie la parte inferior de la cubierta. Asegúrese de limpiar la parte inferior de la cubierta de corte después de cada uso para evitar la acumulación de césped, que impediría una operación de mulching correcta. Corte de hojas. La operación de corte de hojas también puede ser beneficiosa para el césped. Cuando realice la operación de corte de hojas, asegúrese de que estén secas y que no estén apiladas a demasiada altura sobre el césped. No espere a que caigan todas las hojas de los árboles antes de realizar la operación de corte.



ADVERTENCIA: Si golpea un objeto extraño, detenga el motor. Retire el cable de la bujía, inspeccione detenidamente la cortadora de césped en busca de daños y repárelos antes de volver a poner en marcha y usar la cortadora de césped. Una vibración importante de la cortadora de césped durante el uso es un indicador de

daños. La unidad debe inspeccionarse y repararse inmediatamente.

7-7 SACO DE RECOGIDA

Existe un indicador de nivel en la parte superior del saco de recogida que muestra si el saco está vacío o lleno (Fig. 32, Fig. 33):

- El indicador de nivel se infla si el saco de recogida no está lleno durante el corte de césped. (Fig. 33)
- Si el saco de recogida está lleno, el indicador se contrae; cuando esto suceda, detenga el corte inmediatamente y vacíe el saco de recogida, asegúrese de que esté limpio y de que la malla esté ventilada. (Fig. 32)

IMPORTANTE

Si la posición de la apertura del indicador está muy sucia, el indicador no se inflará, limpie la posición de la abertura del indicador inmediatamente.

7-8 CUBIERTA

La parte inferior de la cubierta de la cortadora de césped debe limpiarse después de cada uso para evitar la acumulación de césped cortado, hojas, suciedad u otras materias. Si se permite la acumulación de residuos, se favorecerá la aparición de óxido y la corrosión y se puede impedir la realización correcta de mulching. Para limpiar la cubierta incline la cortadora de césped y rasque la suciedad con una herramienta adecuada (asegúrese de que el cable de la bujía esté desconectado).

7-9 INSTRUCCIONES DE AJUSTE DE ALTURA



PRECAUCIÓN: No realice nunca ningún ajuste a la cortadora de césped sin detener el motor primero y desconectar el cable de la bujía.



PRECAUCIÓN: Antes de cambiar la altura de corte, detenga la cortadora de césped y desconecte el cable de la bujía.

La cortadora de césped está equipada con una palanca de ajuste de altura central que ofrece 8 posiciones de altura.

La altura (de la cuchilla respecto al suelo) se puede ajustar de 20 mm a 75 mm (8 posiciones de altura).

(Fig. 34)

El ajuste inferior: 20 mm (posición 1), el ajuste superior: 75 mm (posición 8).

1. Detenga la cortadora de césped y desconecte el cable de la bujía antes de cambiar la altura de corte de la cortadora de césped.
2. La palanca central de ajuste de altura ofrece 8 posiciones de altura diferentes. (Fig. 34)

Para cambiar la altura de corte, apriete la palanca de ajuste hacia la rueda, subiendo o bajando hasta la altura seleccionada.

8. INSTRUCCIONES DE MANTENIMIENTO

BUJÍA

Utilice solamente bujías de recambio originales. Para lograr los mejores resultados, sustituya la bujía cada 100 horas de uso.

9. INSTRUCCIONES DE LUBRICACIÓN



PRECAUCIÓN: DESCONECTE LA BUJÍA ANTES DE CUALQUIER TAREA DE MANTENIMIENTO.

1. RUEDAS-Lubrique los cojinetes de cada rueda, como mínimo una vez cada temporada, con un aceite ligero.
2. MOTOR-Siga las instrucciones de lubricación del manual del motor.

10. LIMPIEZA



PRECAUCIÓN: No lave el motor con una manguera. El agua puede dañar el motor o contaminar el sistema de combustible.

1. Seque la cubierta con un paño seco.
2. Lave con una manguera debajo de la cubierta, inclinando la cortadora de césped de forma que la bujía esté hacia arriba.

10-1 FILTRO DE AIRE DEL MOTOR



PRECAUCIÓN: No permita que el polvo o la suciedad obstruyan el elemento de espuma de filtro de aire. El elemento de filtro de aire del motor debe revisarse (limpiarse) tras 25 horas de corte normal. El elemento de espuma debe revisarse regularmente si la cortadora de césped se utiliza en condiciones de polvo en un ambiente seco.

PARA LIMPIAR EL FILTRO DEL AIRE

1. Retire el tornillo. (Fig. 35 para PLM4632 y PLM5130)
2. Retire el pomo de bloqueo. (Fig. 36 para PLM4630 y PLM4631)
3. Extraiga la cubierta del filtro.
4. Lave el elemento de filtro con agua jabonosa. **¡NO UTILICE GASOLINA!**
5. Deje secar el elemento de filtro.
6. Ponga unas pocas gotas de aceite SAE30 en el filtro de espuma y apriételo bien para eliminar cualquier exceso de aceite.
7. Vuelva a instalar el filtro.

NOTA: Sustituya el filtro si está desgastado, rasgado, dañado o si no se puede limpiar.

10-2 CUCHILLA DE CORTE



PRECAUCIÓN: Asegúrese de desconectar el cable de la bujía y conectarlo a tierra antes de realizar trabajos en la cuchilla de corte para evitar la puesta en marcha accidental del motor. Proteja las manos usando guantes gruesos o un trapo para agarrar las cuchillas de

corte. Incline la cortadora de césped tal y como se indica en el manual del motor que se incluye por separado. Extraiga el perno hexagonal y la arandela que sujetan la cuchilla y el adaptador de la cuchilla al cigüeñal del motor. Retire la cuchilla y el adaptador del cigüeñal.



ADVERTENCIA: Inspeccione periódicamente el adaptador en busca de grietas, especialmente si ha golpeado un objeto extraño. Sustitúyalo cuando sea necesario.

Para lograr los mejores resultados, la cuchilla debe estar afilada. Para volver a afilar la cuchilla, quítela y afílela o límla manteniendo el borde de corte lo más parecido posible al bisel original. Es muy importante que cada borde de corte sea amolado por igual para evitar que la cuchilla esté desequilibrada. Un equilibrio incorrecto de la cuchilla provocará un exceso de vibración y daños al motor y la cortadora de césped. Tenga cuidado de equilibrar la cuchilla tras volver a afilarla. Se puede probar el equilibrio de la cuchilla colocándola en equilibrio sobre el eje de un destornillador. Rebaje metal del lado pesado hasta que esté bien equilibrada. (Fig. 37)

Antes de volver a montar la cuchilla y el adaptador de cuchilla en la unidad, lubrique el cigüeñal del motor y la superficie interior del adaptador de la cuchilla con aceite ligero. Instale la cuchilla y el adaptador en el cigüeñal. Consulte la Fig. 37. Coloque la cuchilla con el número de pieza en el lado opuesto al adaptador. Alinee la arandela con la cuchilla e inserte el perno hexagonal. Apriete el perno hexagonal con el par de apriete que se indica más abajo.

10-3 PAR DE APRIETE DE MONTAJE DE LA CUCHILLA

Centre el perno 40 Nm - 50 Nm para garantizar un uso seguro de la unidad. Debe comprobarse el correcto apriete de todas las tuercas y todos los pernos. Tras un uso prolongado, especialmente en condiciones de suelo arenoso, la cuchilla se gastará y perderá parte del afilado original. La eficacia del corte se verá reducida y la cuchilla se deberá sustituir. Sustitúyala únicamente con una cuchilla de recambio aprobada de fábrica. Los posibles daños resultantes del estado de desequilibrio de la cuchilla no son responsabilidad del fabricante. Cuando cambie la cuchilla, debe utilizar el tipo original marcado en la cuchilla (MAKITA 263001451 para PLM4630/PLM4631/PLM4632, MAKITA 263002552 para PLM5130) (para realizar el pedido de la cuchilla, póngase en contacto con su distribuidor local o llame a nuestra compañía, consulte la portada).

10-4 MOTOR

Consulte las instrucciones de mantenimiento del motor en el manual del motor que se proporciona por separado. Mantenga el aceite del motor tal y como se indica en el manual del motor que se incluye por separado con su unidad. Lea y siga las instrucciones atentamente. Realice un mantenimiento del filtro de aire de acuerdo con el manual del motor que se proporciona por separado, bajo condiciones normales. Límpiolo cada pocas horas en condiciones de polvo extremo. Un mal rendimiento del motor y un ahogo del

mismo suelen indicar que debería realizarse el mantenimiento del filtro del aire.

Para realizar el mantenimiento del filtro del aire, consulte el manual del motor que se proporciona con la unidad. La bujía debe limpiarse y su holgura se debe reajustar una vez por temporada. Se recomienda sustituir la bujía al principio de cada temporada de corte de césped; compruebe las especificaciones de holgura y el tipo correcto de bujía en el manual del motor. Limpie el motor regularmente con un paño o un cepillo. Mantenga el sistema de refrigeración (área de alojamiento del ventilador) limpio para permitir una correcta circulación del aire, que es esencial para el rendimiento y la duración del motor. Asegúrese de quitar todo el césped, la suciedad y los restos de combustible del área del silenciador.

11. INSTRUCCIONES DE ALMACENAMIENTO (FUERA DE TEMPORADA)

Deben seguirse estos pasos para preparar la cortadora de césped para su almacenamiento.

1. Vacíe el depósito después de la última sesión de corte de césped.
- a) Vacíe el depósito de combustible con una bomba de succión.



- PRECAUCIÓN:** No drene el combustible en habitaciones cerradas, cerca de fuego abierto, etc. ¡No fume! Los vapores del combustible pueden causar una explosión o un incendio.
- b) Ponga en marcha el motor y déjelo funcionando hasta que se haya agotado el combustible y se cale.
 - c) Extraiga la bujía. Utilice una lata de aceite para llenar aprox. 20 ml de aceite en la cámara de combustión. Accione el motor de arranque para distribuir uniformemente el aceite en la cámara de combustión. Sustituya la bujía.
 2. Limpie y engrase la cortadora de césped con cuidado tal y como se describe en "INSTRUCCIONES DE LUBRICACIÓN".
 3. Engrase ligeramente la cuchilla para evitar la corrosión.
 4. Almacene la cortadora de césped en un lugar seco, limpio y fuera del alcance de personas no autorizadas.



PRECAUCIÓN: El motor debe haberse enfriado por completo antes de almacenar la cortadora de césped.



- NOTA:**
- Cuando almacene cualquier tipo de equipo con motor en un recinto sin ventilar o de almacenamiento de material.
 - Debe tener cuidado de proteger el equipo contra el óxido. Recubra el equipo, especialmente los cables y las piezas móviles, con aceite ligero o silicona.
 - Tenga cuidado de no doblar o rizar los cables.
 - Si la cuerda del motor de arranque se desconecta de la guía de cuerda del mango, desconecte el cable de la

bujía y conéctelo a tierra, suelte el mango de control de la cuchilla y tire de la cuerda del motor de arranque ligeramente para extraerla del motor. Deslice la cuerda del motor de arranque en el perno de guía de la cuerda del mango.

Transporte

Apague el motor. Asegúrese de no doblar o dañar la cuchilla de corte cuando empuje la cortadora de césped por encima de obstáculos.

12. SOLUCIÓN DE PROBLEMAS

PROBLEMA	CAUSA PROBABLE	ACCIÓN CORRECTORA
El motor no se enciende.	El estrangulador del acelerador no está en la posición correcta para las condiciones predominantes.	Mueva el estrangulador del acelerador a la posición correcta.
	El depósito de combustible está vacío.	Llene el depósito con combustible: consulte el MANUAL DEL PROPIETARIO DEL MOTOR.
	El elemento de filtro de aire está sucio.	Limpie el elemento de filtro de aire: consulte el MANUAL DEL PROPIETARIO DEL MOTOR.
	Bujía floja.	Apriete la bujía a 25 - 30 Nm.
	Cable de la bujía flojo o desconectado de la bujía.	Coloque el cable de la bujía en la bujía.
	La holgura de la bujía es incorrecta.	Ajuste la holgura entre los electrodos entre 0,7 y 0,8 mm.
	La bujía es defectuosa.	Instale una bujía nueva y con la holgura correcta: consulte el MANUAL DEL PROPIETARIO DEL MOTOR.
	El carburador está inundado de combustible.	Retire el filtro de aire y tire de la correa del motor de arranque hasta que el carburador se limpie e instale el elemento de filtro.
	Módulo de ignición defectuoso.	Póngase en contacto con el agente de servicio técnico.
El motor tiene dificultades para ponerse en marcha o pierde potencia.	El contenido del depósito de combustible está sucio, tiene agua o está caducado.	Drene el combustible y limpie el depósito. Llene el depósito con combustible nuevo y limpio.
	El orificio de ventilación del depósito de combustible está obstruido.	Limpie o sustituya la tapa del depósito de combustible.
	El elemento de filtro de aire está sucio.	Limpie el elemento de filtro de aire.
El motor funciona de forma errática.	La bujía es defectuosa.	Instale una bujía nueva y con la holgura correcta: consulte el MANUAL DEL PROPIETARIO DEL MOTOR.
	La holgura de la bujía es incorrecta.	Ajuste la holgura entre los electrodos entre 0,7 y 0,8 mm.
	El elemento de filtro de aire está sucio.	Limpie el elemento de filtro de aire: consulte el MANUAL DEL PROPIETARIO DEL MOTOR.
Bajo ralenti del motor.	El elemento de filtro de aire está sucio.	Limpie el elemento de filtro de aire: consulte el MANUAL DEL PROPIETARIO DEL MOTOR.
	Las ranuras de aire del compartimento del motor están bloqueadas.	Retire los residuos de las ranuras.
	Las aletas de ventilación y los conductos de aire debajo del alojamiento del ventilador del motor están bloqueados.	Retire los residuos de las aletas de ventilación y de los conductos de aire.
El motor da sacudidas a alta velocidad.	La holgura entre los electrodos de la bujía es demasiado estrecha.	Ajuste la holgura entre los electrodos entre 0,7 y 0,8 mm.
El motor se recalienta.	El flujo de aire de refrigeración está obstruido.	Retire cualquier residuo de las ranuras del alojamiento del ventilador y los conductos de aire.
	Bujía incorrecta.	Para PLM4630/PLM4631: Instale una bujía RJ19LMC y aletas de refrigeración en el motor. Para PLM4632/PLM5130: Instale una bujía QC12YC y aletas de refrigeración en el motor.
La cortadora de césped vibra de forma anómala.	El conjunto de corte está suelto.	Apriete la cuchilla.
	El conjunto de corte está desequilibrado.	Equilibre la cuchilla.

13. ENTORNO

Si la máquina debe sustituirse tras un uso extensivo, no la deseche con los residuos domésticos, sino de una forma segura para el medioambiente.

Sólo para países europeos

Declaración de conformidad de la CE

Nosotros, Makita Corporation, en calidad de fabricante responsable, declaramos que las siguientes máquinas Makita:

Designación de la máquina: Cortadora de Césped a Gasolina

Nº de modelo/Tipo: PLM4630, PLM4631, PLM4632, PLM5130

Especificaciones: Consulte "4. DATOS TÉCNICOS", son de producción serie y

cumplen con las siguientes Directivas europeas:

2004/108/CE, 2006/42/CE,

2000/14/CE y 2005/88/CE

Y se han fabricado de acuerdo con los siguientes estándares o documentos estandarizados:

EN 836, EN ISO 14982

La documentación técnica la conserva:

Makita International Europe Ltd.,

Technical Department,

Michigan Drive, Tongwell,

Milton Keynes, Bucks MK15 8JD, Inglaterra

El procedimiento de evaluación de conformidad requerido por la Directiva 2000/14/CE se realizó de acuerdo con el Anexo VI.

Organismo notificado:

TÜV SÜD Industrie Service GmbH

Westendstraße 199, D-80686 München

Número de identificación: 0036

Modelo: PLM4630, PLM4631

Nivel de potencia sonora medido: 94,2 dB (A)

Nivel de potencia sonora garantizado: 96 dB (A)

Modelo: PLM4632

Nivel de potencia sonora medido: 94,3 dB (A)

Nivel de potencia sonora garantizado: 96 dB (A)

Modelo: PLM5130

Nivel de potencia sonora medido: 95,9 dB (A)

Nivel de potencia sonora garantizado: 98 dB (A)

30. 11. 2012



Tomoyasu Kato

Director

Makita Corporation

3-11-8, Sumiyoshi-cho,

Anjo, Aichi, 446-8502, JAPAN

Descrição geral

- | | | |
|--|---|---|
| 1. Pega de controlo do travão | 12. Alheta lateral | 23. Anilha |
| 2. Pega superior | 13. Carenagem | 24. Manipulo de bloqueio |
| 3. Pega de controlo de avanço automático | 14. Vela de ignição | 25. Porca de bloqueio |
| 4. Alavanca do afogador | 15. Tampão do óleo | 26. A engrenagem de regulação de ângulo |
| 5. Pega do motor de arranque | 16. Tampão de combustível | 27. Botão |
| 6. Guia do cabo | 17. Grampo do cabo | 28. Tampão/vareta do óleo |
| 7. Alavanca de bloqueio | 18. Aro de fixação do cabo | 29. Máx: limite superior |
| 8. Pega inferior | 19. Manipulo de regulação de velocidade | 30. Mín: limite inferior |
| 9. Colector de relva | 20. Barra de "mulching" | 31. Parafuso |
| 10. Alavanca de regulação da altura | 21. Indicador de nível | |
| 11. Canal de descarga lateral | 22. Parafuso | |



AVISO:

Para a sua segurança, leia este manual antes de tentar operar a unidade nova. O incumprimento das instruções pode resultar em ferimentos pessoais graves. Familiarize-se com o cortador de grama antes de cada utilização.



Quando reparar, retire a vela de ignição e, de seguida, repare-a de acordo com o manual de operações.

1. SÍMBOLOS MARCADOS NO PRODUTO



Leia o manual de utilizador.



Mantenha as pessoas afastadas.



Preste mais atenção às mãos e pés do utilizador para evitar ferimentos.



O combustível é inflamável, mantenha-o afastado do fogo. Não abasteça combustível com a máquina em funcionamento.



Fumos tóxicos; não utilizar dentro de casa.



Quando transportar, use os óculos e tampões para os ouvidos para proteger o próprio utilizador.



Precaução: Motor quente.

2. REGRAS GERAIS DE SEGURANÇA



AVISO: Quando utilizar ferramentas a gasolina, devem ser sempre cumpridas as precauções de segurança básicas, incluindo as que se seguem, de forma a reduzir o risco de ferimentos pessoais graves e/ou danos na unidade. Leia todas as instruções antes de utilizar este produto e guarde estas instruções para referência futura.



AVISO: Esta máquina produz um campo electromagnético durante o funcionamento. Em certas circunstâncias, este campo pode interferir com implantes médicos activos ou passivos. Para reduzir o risco de ferimentos graves ou fatais, é aconselhável que as pessoas com implantes médicos consultem o seu médico e o fabricante do implante antes de utilizar esta máquina.

Formação

- Leia atentamente as instruções. Familiarize-se com os controlos e a utilização adequada do equipamento.
- Nunca permita que crianças ou pessoas não familiarizadas com estas instruções utilizem o cortador de grama. As regulamentações locais podem restringir a idade do operador.
- Nunca corte relva com pessoas, especialmente, crianças ou animais por perto.
- Lembre-se que o operador ou o utilizador é responsável pelos acidentes ou perigos que ocorrem a outras pessoas ou à sua propriedade.

Preparação

- Durante o corte, use sempre calçado adequado e calças longas. Não utilize o equipamento descalço ou usando sandálias abertas.
- Inspeccione minuciosamente a área onde vai utilizar o equipamento e retire todos os objectos que podem ser projectados pela máquina.
- AVISO- A gasolina é altamente inflamável.
 - guarde o combustível em recipientes especificamente concebidos para esta finalidade;
 - apenas abasteça no exterior e não fume durante o abastecimento;
 - abasteça de combustível antes de ligar o motor. Nunca retire o tampão do depósito de combustível ou abasteça de combustível enquanto o motor está em funcionamento ou quando o motor está quente;
 - se a gasolina for derramada, não tente ligar o motor, afaste a máquina da área de derrame e evite criar qualquer fonte de ignição até os vapores de gasolina se dissiparem;
 - substitua com segurança todos os tampões de depósito de combustível e de recipientes.
- Substitua os silenciadores avariados.
- Antes de utilizar, inspeccione sempre visualmente para se certificar de que as lâminas, parafusos das lâminas e o conjunto do cortador não estão gastos ou danificados. Substitua as lâminas e parafusos gastos e danificados por conjuntos para preservar o equilíbrio.

Funcionamento

- Não ligue o motor num espaço reduzido onde fumos de monóxido de carbono perigosos podem acumular-se.
- Corte a relva apenas durante o dia ou com uma boa luz artificial.
- Evite operar o equipamento na relva molhada, quando possível.
- Certifique-se de que tem sempre um bom apoio de pés nos declives.
- Caminhe, nunca corra.
- Para máquinas com rodas, corte a relva nos declives na transversal, nunca para cima e para baixo.
- Tenha muito cuidado quando mudar de direcção nos declives.
- Não corte a relva em declives com uma inclinação excessiva.
- Tenha muito cuidado quando recuar ou puxar o cortador de grama na sua direcção.
- Pare a(s) lâmina(s) se o cortador de grama tiver de ser inclinado para transporte quando atravessar superfícies que não relva e quando transportar o cortador de grama de e para a área a cortar.
- Nunca opere o cortador de grama com protecções defeituosas ou sem dispositivos de segurança, por exemplo, deflectores e/ou colectores de relva, em posição.
- Não altere as definições do regulador do motor nem utilize o motor a velocidades exageradas.
- Desengrene todas as embraiagens da lâmina e da transmissão antes de ligar o motor.
- Ligue cuidadosamente o motor de acordo com as instruções e com os pés afastados da(s) lâmina(s).
- Não incline o cortador de grama quando liga o motor.

- Não ligue o motor quando se encontrar em frente ao canal de escoamento.
- Não coloque as mãos ou os pés perto ou debaixo das peças rotativas. Mantenha-se sempre afastado da abertura de descarga.
- Nunca desloque ou transporte um cortador de grama com o motor em funcionamento.
- Pare o motor e desligue o fio da vela de ignição, certifique-se de que todas as peças móveis pararam por completo e retire a chave do seu local:
 - antes de eliminar bloqueios ou desentupir o canal de escoamento;
 - antes de verificar, limpar ou efectuar reparações no cortador de grama;
 - após bater num objecto estranho. Inspeccione o cortador de grama por danos e efectue reparações antes de ligar e operar novamente o cortador de grama;
 - se o cortador de grama começar a vibrar de forma estranha (verifique imediatamente).
- Pare o motor e desligue o fio da vela de ignição, certifique-se de que todas as peças móveis pararam por completo e retire a chave do seu local:
 - sempre que abandonar o cortador de grama;
 - antes de abastecer com combustível.
- Reduza a definição do acelerador durante a paragem do motor e, se o motor estiver equipado com uma válvula de corte, desligue o combustível no final do corte.

Manutenção e armazenamento

- Mantenha todas as porcas e parafusos apertados para se certificar de que o equipamento se encontra em bom estado.
- Nunca guarde o equipamento com gasolina no depósito dentro de um edifício onde os fumos possam alcançar chamas livres ou faíscas.
- Aguarde que o motor arrefeça antes de guardar num local qualquer.
- Para reduzir os perigos de incêndio, mantenha a área de armazenamento do motor, silenciador, compartimento da bateria e gasolina isenta de relva, folhas ou massa lubrificante excessiva.
- Verifique frequentemente o colector de relva por desgaste e deterioração.
- Por razões de segurança, substitua as peças gastas ou danificadas.
- Se o depósito de combustível tiver de ser drenado, isto pode executado no exterior.



AVISO: Não toque na lâmina rotativa.



AVISO: Abasteça com combustível numa área bem ventilada com o motor desligado.

3. DESCRIÇÃO DE PEÇAS (Fig. 1, Fig. 2, Fig. 3, Fig. 4)

Incluindo

A: Chave de vela de ignição

4. DADOS TÉCNICOS

Modelo	PLM4630	PLM4631	PLM4632	PLM5130
Tipo de motor	Série B&S 675EX, ReadyStart	Série B&S 675EX, ReadyStart	Série B&S 750EX, ReadyStart	Série B&S 750EX, ReadyStart
Automotriz	Não	Sim	Sim	Sim
Deslocamento do motor	190 cm ³	190 cm ³	161 cm ³	161 cm ³
Largura da lâmina	460 mm	460 mm	460 mm	510 mm
Velocidade nominal	2.800/min	2.800/min	2.800/min	2.800/min
Capacidade do depósito de combustível	1,0 L	1,0 L	1,0 L	1,0 L
Capacidade do depósito de óleo	0,6 L	0,6 L	0,6 L	0,6 L
Capacidade do colector de relva	60 L	60 L	60 L	65 L
Peso líquido	31,5 kg	34 kg	35 kg	38 kg
Regulação da altura	20-75 mm, 8 regulações	20-75 mm, 8 regulações	20-75 mm, 8 regulações	20-75 mm, 8 regulações

	PLM4630	PLM4631	PLM4632	PLM5130
Nível de pressão sonora garantida na posição do operador (De acordo com a EN ISO 3744, EN ISO 4871)	83,5 dB (A) (K=3 dB (A))	83,5 dB (A) (K=3 dB (A))	83,9 dB (A) (K=3 dB (A))	85,7 dB (A) (K=3 dB (A))
Nível de potência sonora medida	94,2 dB (A) K=1,95 dB (A)	94,2 dB (A) K=1,95 dB (A)	94,3 dB (A) K=1,80 dB (A)	95,9 dB (A) K=2,16 dB (A)
Nível de potência sonora garantida (De acordo com a 2000/14/EC)	96 dB (A)	96 dB (A)	96 dB (A)	98 dB (A)
Vibração (De acordo com a EN ISO 20643)	6,58 m/s ² K=1,5 m/s ²	6,58 m/s ² K=1,5 m/s ²	7,12 m/s ² K=1,5 m/s ²	6,53 m/s ² K=1,5 m/s ²

5. MONTAGEM

5-1 MONTE A PEGA REBATÍVEL

1. Fixe a barra inferior no suporte da pega com um parafuso, anilha e manípulo de bloqueio. (Fig. 5)
2. Levante as duas alavancas de bloqueio para ligar a pega superior e inferior. (Fig. 6)
3. Feche o alavanca de bloqueio para bloquear as barras na posição de funcionamento. (Fig. 7)
4. Ajuste a tensão ao rodar a porca de bloqueio com uma chave adequada. (Fig. 8)
5. Posicione o cabo sobre o veio da pega. Fixe-o em torno do centro da pega inferior através do grampo do cabo e certifique-se de que o cabo está fixo na parte exterior da pega. (Fig. 9, Fig. 10) Caso contrário, o cabo pode ser trilhado pela abertura/fecho da tampa traseira.

5-2 REGULAÇÃO PARA UM ÂNGULO ADEQUADO

- 1) Puxe a abertura da alavanca de bloqueio.
- 2) Rodar a pega superior centrada da engrenagem de regulação de ângulo para ajustar um ângulo adequado no intervalo -15° a 15° (3 posições: -15°/0°/15°) como mostrado na Fig. 11.
- 3) Feche a alavanca de bloqueio para ligar a pega inferior e a pega superior.

5-3 MONTAR E DESMONTAR O COLECTOR DE RELVA

1. Para instalar: Levante a tampa traseira e engate o colector de relva na parte traseira do cortador. (Fig. 12, Fig. 13, Fig. 14)
2. Para retirar: Agarre e levante a tampa traseira, retire o colector de relva.

5-4 PEGA DO MOTOR DE ARRANQUE

Desloque a pega do motor de arranque do motor para o guia do cabo. (Fig. 15)

5-5 ALTURA DO CORTE

Aplique pressão para fora para desengatar a alavanca da armação. Desloque a alavanca para a frente ou para trás para ajustar a altura. (Fig. 16 e consulte a cláusula 7-9)

6. FUNÇÃO

Estes cortadores de grama podem ser modificados, com base na finalidade da aplicação:

Desde cortador de grama com recolha traseira a:

1. Cortador de "mulching" ou como
2. Cortador de descarga lateral.

O que é o "mulching"?

Quando fizer o "mulching", a relva é cortada numa só passagem, de seguida, é cortada finamente e devolvida à faixa de relva como um fertilizante natural.

Conselhos para o corte "mulching":

- Redução normal de 2 cm, no máximo, altura da relva de 6 cm para 4 cm.
- Utilize uma faca de corte afiada.
- Não corte relva molhada.
- Defina a velocidade máxima do motor.
- Desloque-se apenas ao ritmo de trabalho.
- Limpe regularmente a barra de “mulching”, lado interior da estrutura e lâmina de corte.

- Para retirar: Agarre e levante a tampa traseira, retire o colector de relva.

Iniciar operação

6-1 Modificar para cortador de “mulching”



AVISO: Apenas com um motor desligado e cortador parado.

1. Levante a tampa traseira e retire o colector de relva.
2. Introduza a barra de “mulching” na carenagem. Bloquee a barra de “mulching” com o botão na abertura na carenagem. (Fig. 17, Fig. 18)
3. Baixe novamente a tampa traseira. (Fig. 19)
4. Levante a alheta lateral e retire o canal de descarga lateral.

6-2 Reiniciar para corte de relva de descarga lateral



Apenas quando o motor e o corte estão parados!

1. Levante a tampa traseira e retire o colector de relva.
2. Instale a barra de “mulching”.
3. Levante a alheta lateral para descarga lateral. (Fig. 20)
4. Monte o canal de descarga lateral no pino de suporte da alheta lateral. (Fig. 21)
5. Baixe a alheta lateral - a alheta assenta no canal de descarga lateral. (Fig. 22)

6-3 Cortar com o colector de relva



Apenas com um motor desligado e cortador parado.

Para cortar com o colector de relva, retire a barra de “mulching” e o canal de descarga para descarga lateral e monte o colector de relva.

1. Retirar a barra de “mulching”.
 - Levante a tampa traseira e retire a barra de “mulching”.
2. Remover o canal de descarga lateral para descarga lateral.
 - Levante a alheta lateral e retire o canal de descarga lateral.
 - A alheta lateral fecha automaticamente a abertura de descarga na armação através de molas.
 - Limpe regularmente a alheta lateral e a abertura de descarga de restos de relva e sujidade presa.
3. Monte o colector de relva.
 - Para instalar: Levante a tampa traseira e engate o colector de relva na parte traseira do cortador.

7. INSTRUÇÕES DE FUNCIONAMENTO

7-1 ANTES DA UTILIZAÇÃO

Faça a manutenção do motor com gasolina e óleo conforme indicado no manual do motor separado e embalado com o cortador de grama. Leia atentamente as instruções. (Fig. 23, Fig. 24, Fig. 25, Fig. 26)



AVISO: A gasolina é altamente inflamável.

Guarde o combustível em recipientes especificamente concebidos para esta finalidade.

Apenas abasteça no exterior, antes de ligar o motor e não fume durante o abastecimento ou manuseamento de combustível.

Nunca retire o tampão do depósito de combustível ou abasteça de combustível enquanto o motor está em funcionamento ou quando o motor está quente.

Se a gasolina for derramada, não tente ligar o motor, afaste a máquina da área de derrame e evite criar qualquer fonte de ignição até os vapores de gasolina se dissiparem.

Substitua com segurança todos os tampões de depósitos de combustível e de recipientes.

Antes de virar o cortador de grama para fazer a manutenção da lâmina ou drenar óleo, retire combustível do depósito.



AVISO: Nunca abasteça o depósito de

combustível no interior, com o motor em funcionamento ou antes do motor ter arrefecido durante, no mínimo, 15 minutos após a utilização.

7-2 PARA LIGAR O MOTOR E ENGATE A LÂMINA

1. A unidade está equipada com uma tampa de borracha sobre a extremidade da vela de ignição, certifique-se de que o aro metálico na extremidade do fio da vela de ignição (no interior da tampa de borracha) está bem apertado na ponta de metal na vela de ignição.
2. Ao ligar o motor frio, rode a alavanca do afogador para a posição “☞”. Quando ligar um motor quente e utilizá-lo, rode a alavanca do afogador para a posição “☞”. (Fig. 27)
3. Coloque-se atrás da unidade, agarre a pega de controlo do travão e segure-a contra a pega superior como mostrado na Fig. 28.
4. Agarre a pega do motor de arranque como mostrado na Fig. 28 e puxe-a rapidamente para cima. Regresse-a lentamente ao parafuso do guia do cabo após o arranque do motor.

Softe a pega de controlo do travão para desligar o motor e a lâmina.



Ligue cuidadosamente o motor de acordo com as instruções e com os pés afastados da lâmina.



Não incline o cortador de grama quando liga o motor. Ligue o cortador de grama numa superfície nivelada, isenta de relva alta e obstáculos.



Afaste as mãos e os pés das peças em movimento. Não ligue o motor quando se encontrar em frente à abertura de descarga.

7-3 PROCEDIMENTOS DE FUNCIONAMENTO

Durante o funcionamento, segure bem a pega de controlo do travão com ambas as mãos.

Nota: Durante o funcionamento, quando a pega de controlo do travão é solta, o motor irá desligar-se fazendo com que o cortador de grama pare de funcionar.

7-4 PARA DESLIGAR O MOTOR



PRECAUÇÃO: A lâmina continua a rodar durante alguns segundos após o motor ser desligado.

1. Solte a pega de controlo do travão para desligar o motor e a lâmina. (Fig. 29)
2. Desligue e ligue o fio da vela de ignição à terra conforme indicado no manual do motor separado para evitar arranques acidentais quando o equipamento não é supervisionado.

7-5 LIGAÇÃO PARA DESLOCAÇÃO AUTOMÁTICA

Para PLM4631

Agarre a pega de controlo de avanço automático, o cortador de grama irá deslocar-se automaticamente para a frente com cerca de 3,6 km/h (Fig. 30), solte a pega de avanço automático, o cortador de grama irá parar.

Para PLM4632, PLM5130

O cortador está equipado com um sistema de regulação da velocidade que pode regular 3 velocidades de 3,0 km/h a 4,5 km/h.

Posição "☰": a posição mais lenta; Posição "☱": a posição mais rápida. (Fig. 31)

Execute o seguinte:

1. Solte a pega de controlo de avanço automático até o cortador de grama não avançar.
2. Regule a velocidade adequada que pretende. (Fig. 31)
3. Agarre a pega de controlo de avanço automático para continuar a cortar a relva. (Fig. 30)



PRECAUÇÃO: O seu cortador de grama destina-se a cortar relva normal com uma altura inferior a 250 mm.

Não tente cortar relva invulgarmente alta ou molhada (por exemplo, pastagens) ou pilhas de folhas secas. Os detritos podem acumular-se na carenagem do cortador de grama ou entrar em contacto com o sistema de escape do motor, resultando num potencial risco de incêndio.

7-6 PARA OBTER OS MELHORES RESULTADOS AO EFECTUAR O CORTE DA RELVA

Elimine os detritos da relva. Certifique-se de que a relva está isenta de pedras, paus, cabos ou outros objectos estranhos que podem ser acidentalmente projectados pelo cortador de grama, em qualquer direcção, e causar ferimentos pessoais graves no utilizador e outras pessoas, assim como danos na propriedade e nos objectos envolventes. Não corte relva molhada. Para um corte de relva eficaz, não corte relva molhada porque esta tende a aderir ao lado inferior da carenagem, evitando um corte de relva adequado das aparas da relva. Não corte mais do que 1/3 do comprimento da relva. O corte recomendado para o corte de relva é 1/3 do comprimento da relva. A velocidade terá de ser ajustada para que as aparas possam ser dispersas uniformemente na relva. Para um corte particularmente duro na relva espessa, pode ser necessário usar uma das velocidades mais lentas de modo a obter um corte de relva bem efectuado. Quando efectuar o corte de relva na relva longa, pode ter que cortar a relva em duas passagens, baixando a lâmina mais 1/3 do comprimento para o segundo corte e talvez cortando num padrão diferente do padrão utilizado pela primeira vez. Sobrepor um pouco o corte em cada passagem fará com que tenha de limpar quaisquer aparas na relva. O cortador de grama deve ser sempre utilizado à velocidade máxima para obter o melhor corte e permitir a realização de um corte de relva mais eficaz. Limpe a parte inferior da carenagem. Certifique-se de que limpa a parte inferior da carenagem de corte após cada utilização para evitar uma acumulação de relva, o que resultaria num mau "mulching". Cortar folhas. O corte de folhas também pode ser benéfico para a sua relva. Quando efectuar o corte de folhas, certifique-se de que estas estão secas e não são demasiado espessas. Não aguarde que todas as folhas caiam das árvores antes de efectuar o corte.



AVISO: Se colidir contra um objecto estranho, desligue o motor. Retire o fio da vela de ignição, inspecione minuciosamente o cortador de grama por quaisquer danos e repare os danos antes de reiniciar e utilizar o cortador de grama. A vibração excessiva do cortador de grama durante o funcionamento é uma indicação de danos. A unidade deve ser inspecionada e reparada imediatamente.

7-7 COLECTOR DE RELVA

Existe um indicador de nível na parte superior do colector de relva que mostra se o colector está vazio ou cheio (Fig. 32, Fig. 33):

- O indicador de nível enche se o colector não estiver cheio durante a deslocação. (Fig. 33)
- Se o colector estiver cheio, o indicador colapsa; assim que isto acontecer, pare imediatamente e esvazie o colector, certifique-se de que está limpo e de que a rede é ventilada. (Fig. 32)

IMPORTANTE

Se a posição da abertura do indicador estiver muito suja, o indicador não irá encher, neste caso, limpe imediatamente a posição da abertura do indicador.

7-8 CARENAGEM

A parte inferior da carenagem do cortador de grama deve ser limpa após cada utilização para evitar uma acumulação de aparas de relva, folhas, sujidade ou outras substâncias. Se permitir a acumulação destes detritos, irá provocar ferrugem e corrosão e pode impedir a realização de um "mulching" adequado. A carenagem pode ser limpa inclinando o cortador de grama e raspando com uma ferramenta adequada (certifique-se de que o fio da vela de ignição está desligado).

7-9 INSTRUÇÕES PARA REGULAÇÃO DA ALTURA



PRECAUÇÃO: Não efectue, de modo algum, quaisquer regulações no cortador de grama sem primeiro desligar o motor e o fio da vela de ignição.



PRECAUÇÃO: Antes de alterar a altura de corte, desligue o cortador de grama e o cabo da vela de ignição.

O cortador está equipado com uma alavanca central de regulação da altura que oferece 8 posições de altura.

A altura (da lâmina ao solo) pode ser ajustada entre 20 mm e 75 mm (8 posições de altura). (Fig. 34)

A regulação inferior: 20 mm (posição 1), a regulação mais alta: 75 mm (posição 8).

1. Desligue o cortador de grama e o cabo da vela de ignição antes de alterar a altura de corte do cortador de grama.
2. A alavanca central de regulação da altura oferece-lhe 8 posições de altura diferentes. (Fig. 34)

Para alterar a altura de corte, aperte a alavanca de regulação na direcção da roda, deslocando para cima ou para baixo para a altura pretendida.

8. INSTRUÇÕES DE MANUTENÇÃO

VELA DE IGNIÇÃO

Utilize apenas velas de ignição de reposição originais. Para obter os melhores resultados, substitua a vela de ignição a cada 100 horas de utilização.

9. INSTRUÇÕES DE LUBRIFICAÇÃO



PRECAUÇÃO: DESLIGUE A VELA DE IGNIÇÃO ANTES DA MANUTENÇÃO.

1. RODAS - Lubrifique os rolamentos de esferas em cada roda, no mínimo, uma vez por época com um óleo leve.
2. MOTOR - Siga o manual do motor para as instruções de lubrificação.

10. LIMPEZA



PRECAUÇÃO: Não lave o motor com uma mangueira. A água pode danificar o motor ou contaminar o sistema de combustível.

1. Limpe a carenagem com um pano seco.
2. Lave com uma mangueira a parte inferior da carenagem inclinando o cortador de grama de modo a que a vela de ignição esteja para cima.

10-1 FILTRO DE AR DO MOTOR



PRECAUÇÃO: Não permita que a sujidade ou o pó obstruam o elemento de espuma do filtro de ar. O filtro de ar do motor tem de ser mantido (limpo) após 25 horas de corte normal. O elemento de espuma tem de ser limpo regularmente se o cortador de grama for utilizado em condições poeirentas e secas.

PARA LIMPAR FILTRO DE AR

1. Retire o parafuso. (Fig. 35 para PLM4632 e PLM5130)
2. Remova o manípulo de bloqueio. (Fig. 36 para PLM4630 e PLM4631)
3. Retire a tampa do filtro.
4. Lave o filtro em água com sabão. **NÃO UTILIZE GASOLINA!**
5. Ventile o filtro até secar.
6. Coloque algumas gotas de óleo SAE30 no filtro de espuma e aperte bem para remover qualquer excesso de óleo.
7. Instale novamente o filtro.

NOTA: Substitua o filtro se estiver desgastado, rasgado, danificado ou impossível de limpar.

10-2 LÂMINA DE CORTE



PRECAUÇÃO: Certifique-se de que desliga e liga o fio da vela de ignição à terra antes de trabalhar na lâmina de corte para evitar arranques acidentais do motor. Proteja as mãos utilizando luvas robustas ou um pano para agarrar as lâminas de corte. Vire o cortador de grama conforme especificado no manual do motor separado. Retire o parafuso e anilha sextavados que fixam a lâmina e o adaptador da lâmina à cambota do motor. Retire a lâmina e adaptador da cambota.



AVISO: Inspeccione periodicamente o adaptador da lâmina por fissuras, especialmente se chocar contra um objecto estranho. Substitua quando necessário. Para obter os melhores resultados, as lâminas devem estar afiadas. A lâmina pode ser afiada removendo-a e chanfrando ou limando a extremidade de corte mantendo o mais idêntico possível com o ângulo original. É extremamente importante que cada extremidade de corte receba uma quantidade igual de chanfragem para evitar uma lâmina irregular. Um lâmina irregular irá resultar na vibração excessiva causando eventuais danos no motor e no cortador de grama. Certifique-se de que equilibra bem a lâmina após afiar. Pode testar o equilíbrio da lâmina equilibrando-a numa chave de fendas de eixo redondo.

Retire metal do lado pesado até ficar equilibrada. (Fig. 37)

Antes de montar a lâmina e o adaptador da lâmina na unidade, lubrifique a cambota do motor e a superfície interior do adaptador da lâmina com óleo leve. Instale o adaptador de lâmina na cambota. Consulte a Fig. 37. Coloque a lâmina com o número da peça na direcção oposta do adaptador. Alinhe a anilha sobre a lâmina e introduza o parafuso sextavado. Aperte o parafuso sextavado ao binário listado abaixo.

10-3 BINÁRIO DE MONTAGEM DA LÂMINA

Centre o parafuso 40 Nm - 50 Nm, para garantir um funcionamento seguro da unidade. Todas as porcas e parafusos têm de ser verificados periodicamente por um aperto correcto.

Após a utilização prolongada, especialmente em condições de solo arenoso, a lâmina irá ficar desgastada e perder a forma original. A eficiência de corte irá diminuir e a lâmina deve ser substituída. Substitua apenas por uma lâmina de reposição aprovada pela fábrica. Os possíveis danos resultantes do estado de desequilíbrio da lâmina não são da responsabilidade do fabricante.

Quando substitui a lâmina, tem de utilizar o tipo original marcado na lâmina (MAKITA 263001451 para PLM4630/PLM4631/PLM4632, MAKITA 263002552 para PLM5130) (para encomendar a lâmina, contacte o fornecedor local ou a nossa empresa, consulte a página de rosto).

10-4 MOTOR

Consulte o manual do motor separado para as instruções de manutenção do motor.

Faça a manutenção do óleo conforme indicado no manual do motor separado e embalado com a unidade. Leia atentamente e cumpra as instruções.

Faça a manutenção do filtro de ar conforme o manual do motor separado, sob condições normais.

Limpe em intervalos de poucas horas sob condições extremamente poeirentas. Um desempenho fraco do motor e inundação indica, normalmente, que deve efectuar a manutenção do filtro de ar.

Para fazer a manutenção do filtro de ar, consulte o manual do motor separado e embalado com a unidade. A vela de ignição deve ser limpa e a folga calibrada uma vez por época. A substituição da vela de ignição é recomendada no início de cada época de corte; verifique o manual do motor para o tipo de vela e especificações de folga correctos.

Limpe o motor regularmente com um pano ou escova. Mantenha o sistema de arrefecimento (área da estrutura do ventilador) limpo para permitir uma circulação adequada do ar, que é essencial para o desempenho e vida útil do motor. Certifique-se de que retira toda a relva, sujidade e detritos de combustível da área do silenciador.

11. INSTRUÇÕES DE ARMAZENAMENTO (FORA DE ÉPOCA)

Os passos seguintes devem ser seguidos para preparar o cortador de grama para armazenamento.

1. Esvazie o depósito após o último corte da estação.

- a) Esvazie o depósito de gasolina com uma bomba de aspiração.



PRECAUÇÃO: Não drene a gasolina em espaços fechados, perto de chamas abertas, etc. Não fume! Os vapores da gasolina podem causar explosões ou incêndios.

- b) Ligue o motor e deixe-o em funcionamento até gastar a gasolina restantes e parar.
- c) Retire a vela de ignição. Utilize uma galheta de óleo para encher aprox. 20 ml de óleo na câmara de combustão. Utilize o motor de arranque para distribuir uniformemente o óleo na câmara de combustão. Substitua a vela de ignição.
2. Limpe e lubrifique o cortador de grama com cuidado, como descrito em "INSTRUÇÕES DE LUBRIFICAÇÃO".
3. Lubrifique ligeiramente o cortador para evitar corrosão.
4. Guarde o cortador de grama num local seco, limpo e protegido do gelo, fora do alcance de pessoas não autorizadas.



PRECAUÇÃO: O motor tem de arrefecer por completo antes de guardar o cortador de grama.



NOTA:

- Quando guardar qualquer tipo de equipamento eléctrico numa cabana não ventilada ou de armazenamento de material.
- Deve ter cuidado ao isolar o equipamento contra a ferrugem. Utilizando um óleo leve ou silicone, revista o equipamento, especialmente cabos e todas as peças móveis.
- Tenha cuidado para não dobrar ou torcer cabos.
- Se o cabo do motor de arranque se desligar do guia do cabo na pega, desligue e ligue o fio da vela de ignição à terra. Pressione a pega de controlo da lâmina e retire o cabo do motor de arranque do motor lentamente. Introduza o cabo do motor de arranque no parafuso do guia do cabo na pega.

Transporte

Desligue o motor. Certifique-se de que não dobra nem danifica o cortador quando empurrar o cortador de grama sobre obstáculos.

12. RESOLUÇÃO DE PROBLEMAS

PROBLEMA	CAUSA PROVÁVEL	ACÇÃO DE CORRECÇÃO
O motor não arranca.	Manípulo do afogador do acelerador na posição incorrecta para as condições predominantes.	Desloque o manípulo do afogador do acelerador para a posição correcta.
	O depósito de combustível está vazio.	Abasteça o depósito com combustível: consulte MANUAL DO PROPRIETÁRIO DO MOTOR.
	O filtro de ar está sujo.	Limpe o filtro de ar: consulte MANUAL DO PROPRIETÁRIO DO MOTOR.
	Vela de ignição solta.	Aperte a vela de ignição a 25-30 Nm.
	Fio da vela de ignição solto ou desligado da vela.	Instale o fio da vela de ignição na vela de ignição.
	A folga da vela de ignição está incorrecta.	Defina a folga entre os eléctrodos de 0,7 a 0,8 mm.
	Vela de ignição defeituosa.	Instale uma vela nova com uma folga correcta. consulte MANUAL DO PROPRIETÁRIO DO MOTOR.
	O carburador está encharcado de combustível.	Retire o filtro de ar e puxe o cabo do motor de arranque continuamente até o carburador se limpar autonomamente e instale o filtro de ar.
Dificuldade do motor em arrancar ou perde potência.	Módulo de ignição avariado.	Contacte o agente de assistência.
	Sujidade, água ou depósito de combustível deteriorado.	Purgue o combustível e limpe o depósito. Abasteça o depósito com combustível novo e limpo.
	O orifício de ventilação no tampão do depósito de combustível está obstruído.	Limpe ou substitua o tampão do depósito de combustível.
O motor funciona irregularmente.	O filtro de ar está sujo.	Limpe o filtro de ar.
	Vela de ignição defeituosa.	Instale uma vela nova com uma folga correcta. consulte MANUAL DO PROPRIETÁRIO DO MOTOR.
	A folga da vela de ignição está incorrecta.	Defina a folga entre os eléctrodos de 0,7 a 0,8 mm.
Fraco ralenti do motor.	O filtro de ar está sujo.	Limpe o filtro de ar: consulte MANUAL DO PROPRIETÁRIO DO MOTOR.
	As ranhuras de ar na blindagem do motor estão obstruídas.	Retire os detritos das ranhuras.
	As alhetas de arrefecimento e as passagens de ar na estrutura do ventilador do motor estão obstruídas.	Retire os detritos das alhetas de arrefecimento e das passagens de ar.
O motor salta a alta velocidade.	A folga entre os eléctrodos da vela de ignição é demasiado próxima.	Defina a folga entre os eléctrodos de 0,7 a 0,8 mm.
O motor sobreaquece.	O caudal de ar de arrefecimento é limitado.	Retire quaisquer detritos das ranhuras na blindagem, estrutura do ventilador e passagens de ar.
	Vela de ignição incorrecta.	Para PLM4630/PLM4631: Instale a vela de ignição RJ19LMC e as alhetas de arrefecimento no motor. Para PLM4632/PLM5130: Instale a vela de ignição QC12YC e as alhetas de arrefecimento no motor.
O cortador de grama vibra anormalmente.	O conjunto de corte está solto.	Aperte a lâmina.
	O conjunto de corte está desequilibrado.	Equilibre a lâmina.

13. AMBIENTE

Caso a máquina necessite de ser substituída após utilização prolongada, não a coloque no lixo doméstico e elimine-a de forma segura para o ambiente.

Apenas para países europeus

Declaração de conformidade CE

Nós, a Makita Corporation, como fabricante responsável, declaramos que a(s) máquina(s) Makita seguinte(s):

Designação da máquina: Cortador de Grama a Gasolina
Nº/Tipo de modelo: PLM4630, PLM4631, PLM4632, PLM5130

Especificações: Consulte "4. DADOS TÉCNICOS" são de produção em série e

está em conformidade com as directivas europeias seguintes:

2004/108/EC, 2006/42/EC,
2000/14/EC & 2005/88/EC

E são fabricadas de acordo com as normas e documentos padronizados seguintes:

EN 836, EN ISO 14982

A documentação técnica é mantida por:

Makita International Europe Ltd.,
Technical Department,
Michigan Drive, Tongwell,
Milton Keynes, Bucks MK15 8JD, Inglaterra

O procedimento de avaliação da conformidade requisitado pela Directiva 2000/14/EC estava de acordo com o anexo VI.

Corpo notificado:

TÜV SÜD Industrie Service GmbH
Westendstraße 199, D-80686 München
Número de identificação: 0036

Modelo: PLM4630, PLM4631

Nível de potência sonora medida: 94,2 dB (A)
Nível de potência sonora garantida: 96 dB (A)

Modelo: PLM4632

Nível de potência sonora medida: 94,3 dB (A)
Nível de potência sonora garantida: 96 dB (A)

Modelo: PLM5130

Nível de potência sonora medida: 95,9 dB (A)
Nível de potência sonora garantida: 98 dB (A)

30. 11. 2012



Tomoyasu Kato
Director
Makita Corporation
3-11-8, Sumiyoshi-cho,
Anjo, Aichi, 446-8502, JAPAN

Forklaring til generel oversigt

- | | | |
|--------------------------|-------------------------------|--------------------------|
| 1. Bremskontrolhåndtag | 12. Sidelænsflap | 23. Skive |
| 2. Øverste håndtag | 13. Klippeskjold | 24. Låsegreb |
| 3. Kørehåndtag | 14. Tændrør | 25. Låsemøtrik |
| 4. Chokerhåndtag | 15. Olieåbning | 26. Vinkeljusteringsgear |
| 5. Starthåndtag | 16. Brændstofdæksel | 27. Knap |
| 6. Gennemføring | 17. Kabelklemme | 28. Olieåbning/oliepind |
| 7. Låsearm | 18. Ring til kabelfastgørelse | 29. Maks.: øvre grænse |
| 8. Nederste håndtag | 19. Hastighedsjusteringsarm | 30. Min.: nedre grænse |
| 9. Græsopsamler | 20. Mulching-kile | 31. Skruer |
| 10. Højdejusteringsarm | 21. Niveauindikator | |
| 11. Sideudkastningskanal | 22. Bolt | |



ADVARSEL:

For din egen sikkerheds skyld skal du læse denne brugsanvisning igennem, inden du anvender din nye enhed. Hvis du ikke følger instruktionerne, kan det medføre alvorlig personskade. Brug nogle få øjeblikke på at lære plæneklipperen at kende hver gang inden brug.



Forsigtig: Motoren er varm.

1. SYMBOLER PÅ PRODUKTET



Læs brugsanvisningen.



Hold andre tilstedeværende på afstand.



Vær meget opmærksom på hænder og fødder for at undgå personskader.



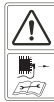
Brændstof er letantændeligt, så hold afstand til åben ild. Påfyld ikke brændstof på en kørende maskine.



Giftige dampe. Må ikke anvendes indendørs.



Under græsklipning skal operatøren anvende beskyttelsesbriller og ørepropper for at beskytte sig selv.



Ved reparation skal tændrøret fjernes først, og derefter skal reparationen udføres i henhold til brugsanvisningen.

2. GENERELLE SIKKERHEDSREGLER



ADVARSEL: Ved anvendelse af benzindrevne maskiner skal de grundlæggende forholdsregler, inklusive de følgende, altid overholdes for at reducere risikoen for personskade og/eller beskadigelse af enheden. Læs alle disse instruktioner inden anvendelse af dette produkt og gem instruktionerne, så du altid har dem.



ADVARSEL: Denne maskine frembringer et elektromagnetisk felt under anvendelsen. Dette felt kan under visse omstændigheder interferere med aktive eller passive medicinske implantater. For at reducere risikoen for alvorlige eller fatale skader anbefaler vi, at personer med medicinske implantater konsulterer deres læge og producenten af de medicinske implantater inden anvendelse af denne maskine.

Træning

- Læs omhyggeligt instruktionerne igennem. Gør dig bekendt med betjeningen og den korrekte anvendelse af udstyret.
- Lad aldrig børn eller personer, som ikke har kendskab til disse instruktioner, anvende plæneklipperen. Lokale bestemmelser kan sætte begrænsninger for brugerens alder.
- Klip aldrig græs mens der er personer, især børn, eller kæledyr i nærheden.
- Vær opmærksom på, at operatøren eller brugeren er ansvarlig for ulykker eller farlige situationer, der måtte opstå mod andre personer eller deres ejendele.

Forberedelse

- Bær altid robust fodtøj og lange bukser under plæneklipning. Anvend ikke maskinen med bare fødder eller åbne sandaler.

- Gennemgå grundigt det område hvor maskinen skal anvendes, og fjern alle de genstande der kan blive kastet ud af maskinen.
- **ADVARSEL-** Benzin er meget brandfarligt.
 - opbevar brændstof i beholdere, som er særligt beregnet til dette formål;
 - påfyld kun brændstof udendørs og ryg ikke under påfyldningen;
 - påfyld brændstof inden start af motoren. Tag aldrig dækslet af brændstoftanken eller påfyld benzin, mens motoren kører, eller når motoren er varm;
 - hvis der spildes benzin, skal du ikke forsøge at starte motoren, men flytte maskinen væk fra det sted, hvor der blev spildt, og undgå alt der kan være kilde til antændelse, indtil benzindampene er fordampet;
 - husk at skrue dæksler ordentligt på alle brændstoftanke og beholdere.
- Udskift defekte støjdemperere.
- Inden brug skal du altid se efter slid eller skader på knivene, knivboltene og knivmonteringen. Udskift slidte eller beskadigede knive og bolte sætvis for at opretholde balancen.

Betjening

- Anvend ikke motoren på et indelukket sted, hvor der kan ophobes farlige kullitedampe.
- Klip kun græs i dagslys eller under god kunstig belysning.
- Undgå at anvende maskinen i vådt græs, hvor det er muligt.
- Sørg altid for et godt fodfæste på skrånninger.
- Gå, løb aldrig.
- Med kørende roterende maskiner skal klipningen foregå på tværs af skrånninger og aldrig op og ned.
- Vær meget forsigtig ved retningsændringer på skrånninger.
- Klip ikke græs på meget stejle skrånninger.
- Vær meget forsigtig, når du bakker eller trækker plæneklipperen ind mod dig selv.
- Stop kniven(e) hvis plæneklipperen skal vippes af hensyn til transport over andre overflader end græs, eller når plæneklipperen transporteres til og fra det område, hvor der skal klippes græs.
- Benyt aldrig plæneklipperen, hvis beskyttelsesskærmene er beskadiget eller uden påmonteret sikkerhedsudstyr som f.eks. deflektorer og/eller græsopsamlere.
- Du skal ikke ændre ikke motorens regulatorindstillinger eller køre motoren hurtigere end anbefalet.
- Afbryd alle knive og drivkoblinger inden start af motoren.
- Start motoren forsigtigt i henhold til instruktionerne og med fødderne på god afstand af kniven(e).
- Du skal ikke vippe plæneklipperen, når motoren startes.
- Start ikke motoren, mens du står foran græsudkastet.
- Stik ikke hænder eller fødder ind i nærheden af eller under roterende dele. Hold dig altid væk fra udkastningsåbningen.
- Løft eller bær aldrig en plæneklipper, mens motoren kører.

- Stands motoren og afbryd tændrørskablet, sørg for at alle bevægelige dele er fuldstændigt stoppet og fjern nøglen i tilfælde af, at der anvendes en nøgle:
 - inden fjernelse af forhindringer eller rensning af græsudkastet;
 - inden kontrol, rengøring eller arbejde på plæneklipperen;
 - efter du har ramt et fremmedlegeme. Kontroller plæneklipperen for skader og udfør reparationer inden start eller betjening af plæneklipperen;
 - hvis plæneklipperen vibrerer unormalt (kontroller straks).
- Stands motoren og afbryd tændrørskablet, sørg for at alle bevægelige dele er fuldstændigt stoppet og fjern nøglen i tilfælde af, at der anvendes en nøgle:
 - når du forlader plæneklipperen;
 - inden påfyldning af brændstof.
- Reducer gasindstillingen under nedlukning af motoren og sluk for brændstoffet efter endt plæneklipning, hvis motoren er udstyret med en lukkeventil.

Vedligeholdelse og opbevaring

- Sørg for, at alle møtrikker, bolte og skruer er strammet, så maskinen altid er klar til brug.
- Opbevar aldrig maskiner med benzin i tanken inde i en bygning, hvor dampe kan komme i kontakt med åben ild eller gnister.
- Lad motoren køle af, inden den opbevares på et aflukket sted.
- For at reducere brandrisikoen skal motoren, støjdemperen, batterirummet og benzinopbevaringsområdet holdes fri for græs, blade og overdrevent meget smøremiddel.
- Kontroller jævnligt græsopsamleren for slid eller beskadigelse.
- Udskift slide eller beskadigede dele af sikkerhedshensyn.
- Hvis brændstoftanken skal tømmes, skal dette udføres udendørs.



ADVARSEL: Rør ikke ved roterende knive.



ADVARSEL: Påfyld brændstof på et sted med god ventilation og med motoren standset.

3. BESKRIVELSE AF DELE (Fig. 1, Fig. 2, Fig. 3, Fig. 4)

Indeholdende

A: Tændrørsnøgle

4. TEKNISKE DATA

Model	PLM4630	PLM4631	PLM4632	PLM5130
Motorstype	B&S 675EX-serien, ReadyStart	B&S 675EX-serien, ReadyStart	B&S 750EX-serien, ReadyStart	B&S 750EX-serien, ReadyStart
Selvdrevet	Nej	Ja	Ja	Ja
Motorvolumen	190 cm ³	190 cm ³	161 cm ³	161 cm ³
Knivbredde	460 mm	460 mm	460 mm	510 mm
Nominel hastighed	2.800/min.	2.800/min.	2.800/min.	2.800/min.
Brændstoftankvolumen	1,0 l	1,0 l	1,0 l	1,0 l
Olietankkapacitet	0,6 l	0,6 l	0,6 l	0,6 l
Græsopsamlerkapacitet	60 l	60 l	60 l	65 l
Nettovægt	31,5 kg	34 kg	35 kg	38 kg
Højdejustering	20-75 mm, 8 justeringer	20-75 mm, 8 justeringer	20-75 mm, 8 justeringer	20-75 mm, 8 justeringer

	PLM4630	PLM4631	PLM4632	PLM5130
Garanteret lydtryksniveau på operatørens position (I henhold til EN ISO 3744, EN ISO 4871)	83,5 dB (A) (K=3 dB (A))	83,5 dB (A) (K=3 dB (A))	83,9 dB (A) (K=3 dB (A))	85,7 dB (A) (K=3 dB (A))
Målt lydeffektniveau	94,2 dB (A) K=1,95 dB (A)	94,2 dB (A) K=1,95 dB (A)	94,3 dB (A) K=1,80 dB (A)	95,9 dB (A) K=2,16 dB (A)
Garanteret lydeffektniveau (I henhold til 2000/14/EF)	96 dB (A)	96 dB (A)	96 dB (A)	98 dB (A)
Vibration (I henhold til EN ISO 20643)	6,58 m/s ² K=1,5 m/s ²	6,58 m/s ² K=1,5 m/s ²	7,12 m/s ² K=1,5 m/s ²	6,53 m/s ² K=1,5 m/s ²

5. MONTERING

5-1 MONTERING AF FOLDEHÅNDTAGET

1. Fastgør den nederste håndtagsstang på håndtagsbeslaget med bolt, skive og låsegreg. (Fig. 5)
2. Løft de to låsearme for at tilslutte det øverste og nederste håndtag. (Fig. 6)
3. Tryk på låsearmen for at lukke den, så håndtagsstængerne låses i betjeningspositionen. (Fig. 7)
4. Juster spændingen ved at dreje på låsemøtrikken med en passende skrueøgle. (Fig. 8)
5. Placer kablet over håndtagsskaffet. Klem det fast ca. midt på det nederste håndtag med kabelklemmen, og sikr dig, at kablet er fastgjort på ydersiden af håndtaget. (Fig. 9, Fig. 10) Ellers kan kablet blive klemt, når bagdækslet åbnes/lukkes.

5-2 JUSTERING AF EN PASSENDE VINKEL

1. Træk i låsearmens åbning.
2. Roter det øverste håndtag centreret på vinkeljusteringsgearet for at justere ind på en passende vinkel i området -15° til 15° (3 positioner: -15°/0°/15°) som vist på Fig. 11.
3. Tryk på låsearmen for at lukke den, så det nederste og øverste håndtag tilsluttes.

5-3 MONTERING OG AFMONTERING AF GRÆSOPSAMPEREN

1. Påsætning: Løft bagdækslet op og hæng græsopsamleren bag på plæneklipperen. (Fig. 12, Fig. 13, Fig. 14)
2. Aftagning: Tag fat og løft op i bagdækslet for tage græsopsamleren af.

5-4 STARTHÅNDTAG

Flyt starthåndtaget fra motoren til gennemføringen. (Fig. 15)

5-5 KLIPPEHØJDE

Tryk udad for at løsne armen fra tandstangen. Flyt armen fremad eller bagud for at justere højden. (Fig. 16 og se afsnit 7-9)

6. FUNKTION

Disse plæneklippere kan teknologisk opdateres fra deres normale funktion, baseret på anvendelsesformålet:

Fra plæneklipper med opsamlingsbagtil til:

1. Mulching-plæneklipper eller som
 2. Plæneklipper med sideudkast.
- Hvad er mulching?
Ved mulching (bioklip) klippes græsset i første arbejdsstrin, derefter findeles det og returneres til græsplænen som naturlig gødning.

Tips angående mulching (bioklip):

- Almindelig klipning af maks. 2 cm fra 6 cm til 4 cm højt græs.
- Brug en skarp kniv.

- Klip ikke i vådt græs.
- Indstil på maksimal motorhastighed.
- Gå kun frem i gå-tempo.
- Rens jævnligt mulching-kilen, indersiden af huset og kniven.

Start af betjening

6-1 Eftermontering for brug som mulching-plæneklipper



ADVARSEL: Kun med en standset motor og stoppet kniv.

1. Løft bagdækslet og fjern græsopsamleren.
2. Tryk mulching-kilen ind i klippeskjoldet. Lås mulching-kilen med knappen ind i åbningen i klippeskjoldet. (Fig. 17, Fig. 18)
3. Sænk bagdækslet igen. (Fig. 19)
4. Løft sidelænsflappen og fjern sideudkastningskanalen.

6-2 Omstilling til klipning med sideudkast



Kun når motoren og klipningen er standset!

1. Løft bagdækslet og fjern græsopsamleren.
2. Monter mulching-kilen.
3. Løft sidelænsflappen for sideudkast. (Fig. 20)
4. Monter sideudkastningskanalen for sideudkast på støttepinden på sidelænsflappen. (Fig. 21)
5. Sænk sidelænsflappen - flappen ligger på sideudkastningskanalen. (Fig. 22)

6-3 Klipning med græsopsamleren



Kun med en standset motor og stoppet kniv.

For at klippe med græsopsamleren skal du fjerne mulching-kilen og udkastningskanalen for sideudkastet og montere græsopsamleren.

1. Fjernelse af mulching-kilen.
 - Løft bagdækslet og fjern mulching-kilen.
2. Fjernelse af sideudkastningskanalen for sideudkast.
 - Løft sidelænsflappen og fjern sideudkastningskanalen.
 - Sidelænsflappen lukker automatisk græsudkastet på huset vha. en fjedermekanisme.
 - Rens jævnligt sidelænsflappen og græsudkastet for græsrester og fastsiddende snavs.
3. Monter græsopsamleren.
 - Påsætning: Løft bagdækslet op og hængt græsopsamleren bag på plæneklipperen.
 - Aftagning: Tag fat og løft op i bagdækslet for tage græsopsamleren af.

7. BETJENINGSINSTRUKTIONER

7-1 INDEN DU STARTER

Fyld benzin og olie på motoren som anvist i den separate motorvejledning, der kom sammen med plæneklipperen. Læs omhyggeligt instruktionerne igennem. (Fig. 23, Fig. 24, Fig. 25, Fig. 26)



ADVARSEL: Benzin er meget brandfarligt.

Opbevar brændstof i beholdere, som er særligt beregnet til dette formål.

Påfyld kun brændstof udendørs, inden du starter motoren, og undlad at ryge, mens du påfylder eller håndterer brændstof.

Tag aldrig dækslet af brændstoffranken eller påfyld benzin, mens motoren kører, eller når motoren er varm.

Hvis der spildes benzin, skal du ikke forsøge at starte motoren, men flytte maskinen væk fra det sted, hvor der blev spildt, og undgå alle antændelseskilder indtil benzindampene er fordampet.

Husk at skrue dæksler ordentligt på alle brændstoffanke og beholdere.

Inden du vipper plæneklipperen for at vedligeholde kniven eller tømme olien af, skal du tømme tanken for brændstof.



ADVARSEL: Fyld aldrig brændstof på brændstoffranken indendørs, med motoren kørende, eller før motoren har fået lov til at køle af i mindst 15 minutter efter brug.

7-2 START AF MOTOR OG AKTIVERING AF KNIV

1. Enheden er udstyret med en gummihætte over tændrøret. Sørg for at metalstroppen på tændrørskablet (inde i gummihætten) er ordentligt fastgjort på tændrørets metalspids.
2. Når du starter en kold motor, skal du dreje chokerhåndtaget over på "☞"-positionen. Når du starter en varm motor og begynder anvendelse, skal du dreje chokerhåndtaget over på "☞"-positionen. (Fig. 27)
3. Mens du står bag ved enheden, skal du gribe fat i bremsekontrolhåndtaget og holde det ind mod det øverste håndtag som vist i Fig. 28.
4. Grib fat i starthåndtaget som vist i Fig. 28 og træk hurtigt op. Før det langsomt tilbage til gennemføringsbolten efter motoren er startet.

Slip bremsekontrolhåndtaget for at standse motoren og kniven.



Start motoren forsigtigt i henhold til instruktionerne og med fødderne på god afstand af kniven.



Du skal ikke vippe plæneklipperen, når motoren startes. Start plæneklipperen på et jævnt underlag, fri for højt græs eller andre hindringer.



Hold hænder og fødder på afstand af de roterende dele. Start ikke motoren, mens du står foran græsudkastet.

7-3 BETJENINGSPROCEDURER

Under anvendelse skal du holde godt fast i bremsekontrolhåndtaget med begge hænder.

Bemærk: Hvis bremsekontrolhåndtaget slippes under anvendelsen, standser motoren, og derfor stopper plæneklipperen med at køre.

7-4 SÅDAN STANDSES MOTOREN



FORSIGTIG: Kniven fortsætter med at rotere nogle få sekunder, efter motoren er slukket.

1. Slip bremsekontrolhåndtaget for at standse motoren og kniven. **(Fig. 29)**
2. Afbryd og jord tændrørskablet som anvist i den separate motorvejledning for at forhindre utilsigtet start, mens maskinen ikke er under opsyn.

7-5 AKTIVERING AF SELVTRÆK

PLM4631

Plæneklipperen begynder at bevæge sig automatisk fremad med ca. 3,6 km/t **(Fig. 30)**, når du griber om kørehåndtaget, og standser, når du slipper kørehåndtaget.

PLM4632, PLM5130

Plæneklipperen er udstyret med et hastighedsjusteringssystem, der kan justeres til 3 hastigheder fra 3,0 km/t til 4,5 km/t.

Position "☺": den langsomste position; Position "☞": den hurtigste position. **(Fig. 31)**

Foretag trinene nedenfor:

1. Slip kørehåndtaget indtil plæneklipperen ikke længere bevæger sig fremad.
2. Vælg den passende hastighed, du ønsker. **(Fig. 31)**
3. Grip fat om kørehåndtaget for at fortsætte klipning. **(Fig. 30)**



FORSIGTIG: Din plæneklipper er designet til at klippe almindeligt havegræs, der ikke er højere end 25 mm.

Forsøg ikke at klippe gennem ualmindelig højt tørt eller vådt græs (f.eks. en græsmark) eller bunker af tørre blade. De afklippede materialer kan ophobes på klippeskjoldet eller komme i kontakt med motorudstødningen og udgøre en potentiel brandrisiko.

7-6 SÅDAN OPNÅS DE BEDSTE GRÆSKLIPNINGSRISULTATER

Ryd græsplænen for affald. Sørg for at græsplænen er fri for sten, grene, ståltråd eller andre fremmedlegemer, der eventuelt ved et uheld kan blive slynget ud af plæneklipperen i en hvilken som helst retning og forvolde alvorlig personskade på operatøren og andre, såvel som skader på materiel og omkringliggende genstande. Klip ikke vådt græs. For at opnå en effektiv klipning af græsset skal du ikke klippe vådt græs, da det har tendens til at sætte sig fast i klippeskjoldet og forhindre ordentlig klipning af det afklippede græs. Klip ikke mere end 1/3 af græssets længde. Den anbefalede græsklipning er 1/3 af græssets længde. Hastigheden over jorden skal justeres, sådan at de afklippede stykker kan fordeles jævnt ind på plænen. Især ved kraftig klipning af tykt græs kan det være nødvendigt at bruge en af de laveste hastigheder for at få et rent, fint klip. Ved klipning af langt græs er du muligvis nødt til at klippe plænen af to omgange, hvor du

sænker kniven med endnu en 1/3 af længden ved andet klip og eventuelt klipper græsset i et andet mønster, end det der blev anvendt første gang. En lille smule overlappning af klippet for hver gang, hjælper også med til at fjerne eventuelt spredte afklippede rester, der ligger tilbage på plænen. Plæneklipperen bør altid anvendes ved fuld gas for at få det reneste snit og give maskinen mulighed for at udføre den bedst mulige klipning. Rens undersiden af klippeskjoldet. Sørg for at rense undersiden af klippeskjoldet hver gang efter brug for at undgå en ophobning af græs, hvilket ellers forhindrer ordentlig mulching. Klipping af blade. Klipping af blade kan også være godt for din græsplæne. Ved klipning af blade skal du sørge for, at de er tørre, samt at der ikke ligger et alt for tykt lag på græsplænen. Du skal ikke vente til alle bladene er faldet af træerne, før du udfører klipning.



ADVARSEL: Hvis du støder på et fremmedlegeme, skal motoren standses. Fjern kablet fra tændrøret og efterse plæneklipperen nøje for skader, og reparer skaden inden du starter og anvender plæneklipperen igen. Hvis plæneklipperen vibrerer voldsomt under anvendelse, kan det være et tegn på beskadigelse. Enheden bør straks efterses og repareres.

7-7 GRÆSOPSAMLER

Der er en niveauidikator oven på græsopsamleren, som viser om opsamleren er tom eller fuld **(Fig. 32, Fig. 33):**

- Niveauidikatoren pustes op, hvis opsamleren ikke er fuld under plæneklippingen. **(Fig. 33)**
- Hvis opsamleren er fuld, falder indikatoren ned. Når først dette sker, skal du straks stoppe og tømme opsamleren, sikre dig at den er ren, samt at der kan trænge luft igennem dens trådnæt. **(Fig. 32)**

VIGTIGT

Hvis indikatoråbningens position er meget beskidt, pustes indikatoren ikke op. I dette tilfælde skal du straks rengøre indikatoråbningens position.

7-8 KLIPPESKJOLD

Undersiden af plæneklipperens klippeskjold bør renses hver gang efter brug for at forhindre ophobning af afklippede græsrester, blade, snavs eller andre materialer. Hvis de afklippede rester får lov til at ophobe sig, medvirker det til rust- og korrosionsdannelse og kan forhindre ordentlig mulching. Klippeskjoldet kan renses ved at vippe plæneklipperen og skrabe det rent med et passende værktøj (sørg for at tændrørskablets forbindelse er afbrudt).

7-9 INSTRUKTIONER FOR HØJDEJUSTERING



FORSIGTIG: Udfør aldrig nogen justeringer på plæneklipperen uden først at standse motoren og afbryde tændrørskablets forbindelse.



FORSIGTIG: Inden du ændrer klippehøjden, skal du standse plæneklipperen og afbryde tændrørskablets forbindelse.

Plæneklipperen er udstyret med en central højdejusteringsarm, der har 8 højdepositioner. Højden (fra kniven til jorden) kan justeres fra 20 mm til 75 mm (8 højdepositioner). (Fig. 34)

Den laveste justering: 20 mm (position 1), den højeste justering: 75 mm (position 8).

1. Stands plæneklipperen og afbryd tændrørskablets forbindelse, inden du ændrer plæneklipperens klippehøjde.
2. Den centrale højdejusteringsarm har 8 forskellige højdepositioner. (Fig. 34)

For at ændre klippehøjden skal du trykke justeringsarmen mod hjulet, og flytte op eller ned på den valgte højde.

8. VEDLIGEHOLDELSESINSTRUKTIONER

TÆNDRØR

Udskift kun med originale tændrør. Du opnår det bedste resultat ved at udskifte tændrøret efter hver 100 timers brug.

9. SMØREINSTRUKTIONER



FORSIGTIG: ABRYD TÆNDRØRETS FORBINDELSE INDEN EFTERSYN.

1. HJUL-Smør kuglelejerne på hvert hjul mindst én gang i sæsonen med en let olie.
2. MOTOR-Følg motorvejledningen angående instruktioner for smøring.

10. RENGØRING



FORSIGTIG: Spul ikke motoren med en vandslange. Vandet kan beskadige motoren og forurene brændstofsystelet.

1. Tør klippeskjoldet af med en tør klud.
2. Spul med en vandslange under klippeskjoldet ved at vippe plæneklipperen, sådan at tændrøret er opad.

10-1 MOTORLUFTFILTER



FORSIGTIG: Sørg for at snavs eller støv ikke tilstopper luftfilterets skumelement. Motorens luftfilterelement skal efterses (renses) efter 25 timers normal plæneklipping. Skumelementet skal efterses regelmæssigt, hvis plæneklipperen anvendes under tørre, støvede forhold.

SÅDAN RENSES LUFTFILTERET

1. Fjern skruen. (Fig. 35 for PLM4632 og PLM5130)
2. Fjern låsegrebet. (Fig. 36 for PLM4630 og PLM4631)
3. Fjern filterdækslet.
4. Vask filterelementet i sæbevand. **BRUG IKKE BENZIN!**
5. Lufttør filterelementet.
6. Put et par dråber SAE30-olie på skumfilteret og vrid det omhyggeligt for at fjerne eventuelt overskud af olie.
7. Monter filteret igen.

BEMÆRK: Udskift filteret hvis det er flosset, flænset, beskadiget eller ikke kan renses.

10-2 KNIV



FORSIGTIG: Sørg for at afbryde og jorde tændrørskablet inden arbejdet med kniven for at forhindre utilsigtet start af motoren. Beskyt hænderne ved at anvende tykke handsker eller en klud, når du griber om knivene. Vip plæneklipperen som anvist i den separate motorvejledning. Fjern sekskantbolten og skiven, der holder kniven og knivadapteren fast på motorens krumpaksel. Afmonter kniven og adapteren fra krumpakslen.



ADVARSEL: Efterse regelmæssigt

knivadapteren for revner, især hvis du rammer et fremmedlegeme. Udskiftes om nødvendigt.

Du opnår de bedste resultater med en skarp kniv. Kniven kan skærpes ved at afmontere den og enten slibe eller file knivsågen, sådan at den oprindelige smig opretholdes så vidt muligt. Det er ekstremt vigtigt, at hver knivsåg slibes lige meget for ikke at få en uafbalanceret kniv. En forkeft balanceret kniv medfører voldsomme vibrationer og kan forårsage skade på motoren og plæneklipperen. Sørg for at balancere kniven omhyggeligt efter slibning. Knivens balance kan testes ved at balancere den på en rundskaffet skruetrækker. Fjern metal fra den tunge side indtil den balancerer jævnt. (Fig. 37)

Inden du monterer kniven og knivadapteren på enheden, skal du smøre motorens krumpaksel og indersiden af knivadapteren med en let olie. Installer knivadapteren på krumpakslen. Se Fig. 37. Placer kniven med delnummeret vendende væk fra adapteren. Placer skiven over kniven og indsæt sekskantbolten. Stram sekskantbolten med det moment, der er anvist nedenfor.

10-3 KNIVMONTERINGSMOMENT

Midterbolt 40 Nm - 50 Nm for at sikre sikker anvendelse af din enhed. Alle møtrikker og bolte skal regelmæssigt kontrolleres for korrekt tilspænding.

Efter længere brug, især ved sandede jordforhold, bliver kniven slidt og mister noget af den oprindelige form. Effektiviteten af klippingen reduceres, og kniven bør udskiftes. Udskift kun kniven med en fabriksgodkendt kniv. Eventuelle skader pga. en uafbalanceret kniv er ikke producentens ansvar.

Når du udskifter kniven, skal du anvende den originale type, som er mærket på kniven (MAKITA 263001451 til PLM4630/PLM4631/PLM4632, MAKITA 263002552 til PLM5130) (kontakt din lokale forhandler eller vores firma angående bestilling af en ny kniv, se forsiden).

10-4 MOTOR

Se den separate motorvejledning angående instruktioner for motorvedligeholdelse.

Vedligehold motorolien som anvist i den separate motorvejledning, der kom sammen med din enhed. Læs og følg instruktionerne omhyggeligt.

Foretag eftersyn af luftfilteret som anvist i den separate motorvejledning under normale forhold.

Under ekstremt støvede forhold skal det altid renses efter nogle få timers brug. Dårlig motorydelse og drukning af motoren angiver, at luftfilteret bør efterses.

For at foretage eftersyn af luftfilteret skal du se den separate motorvejledning, der kom sammen med din enhed.

Tændrøret skal renses, og afstanden genindstilles én gang i sæsonen. Det anbefales, at udskifte tændrøret i starten af hver klippesæson; se motorvejledningen angående korrekt tændrørstype og afstandsspecifikationer.

Rens jævnligt motoren med en klud eller en børste. Hold afkølingssystemet (blæserhusområdet) rent for at sikre ordentlig luftcirkulation, hvilket er essentielt for motorydelse og -levetid. Sørg for at fjerne alt græs, snavs og brandbart materiale fra lyd-dæmperområdet.

11. OPBEVARINGSINSTRUKTIONER (UDEN FOR SÆSONEN)

Følgende skridt bør tages for at klargøre plæneklipperen til opbevaring.

1. Tøm tanken efter sæsonens sidste klipping.

- a) Tøm benzintanken med en pumpe.



FORSIGTIG: Tøm ikke benzin af i lukkede rum, i nærheden af åben ild osv. Rygning forbudt! Benzindampe kan forårsage eksplosion eller brand.

- b) Start motoren og lad den køre indtil den har opbrugt al den resterende benzin og standser.
 - c) Fjern tændrøret. Brug en oliekanne til at fylde ca. 20 ml olie i forbrændingskammeret. Aktivér starteren for at fordele olien jævnt i forbrændingskammeret. Udskift tændrøret.
2. Rens og smør plæneklipperen omhyggeligt som beskrevet ovenfor under "SMØREINSTRUKTIONER".
 3. Påfør lidt smørelse på kniven for at forhindre rust.
 4. Opbevar plæneklipperen på et tørt, rent og frostbeskyttet sted, uden for uautoriserede personers rækkevidde.



FORSIGTIG: Motoren skal være kølet fuldstændigt ned, inden plæneklipperen gemmes væk.



BEMÆRK:

- Ved opbevaring af enhver type motorudstyr på et uventileret sted eller i et opbevaringsskur.
- Sørg for at rustsikre udstyret. Brug en let olie eller silikoneolie til at lægge en hinde over udstyret, især kabler og alle bevægelige dele.
- Sørg for ikke at bøje eller knække kabler.
- Hvis startsnoren løsner sig fra gennemføringen på håndtaget, skal du afbryde og jorde tændrørskablet, trykke ind på knivkontrolhåndtaget og langsomt trække startsnoren ud fra motoren. Før startsnoren ind i gennemføringsbolten på håndtaget.

Transport

Sluk for motoren. Sørg for ikke at bøje eller beskadige kniven, når du skubber plæneklipperen over forhindringer.

12. FEJLFINDING

PROBLEM	SANDSYNLIG ÅRSAG	AFHJÆLPNING
Motoren starter ikke.	Gashåndtaget er ikke i den rigtige position under de aktuelle forhold.	Flyt gashåndtaget hen på den rigtige position.
	Brændstoftanken er tom.	Fyld brændstof på tanken: se BRUGERVEJLEDNING TIL MOTOR.
	Luffilterelementet er beskidt.	Rens luffilterelementet: se BRUGERVEJLEDNING TIL MOTOR.
	Løst tændrør.	Stram tændrøret til 25-30 Nm.
	Tændrørskablet er løst eller afbrudt fra stikket.	Monter tændrørskablet på tændrørsstikket.
	Forkert tændrørsafstand.	Indstil afstanden mellem elektroderne på 0,7 til 0,8 mm.
	Tændrøret er defekt.	Monter et nyt tændrør med korrekt tændrørsafstand: se BRUGERVEJLEDNING TIL MOTOR.
	Karburatoren er druknet i brændstof.	Afmonter luffilterelementet og fortsæt med at trække i startsnoren indtil karburatoren renses sig selv, og monter derefter luffilterelementet.
	Defekt tændingsmodul.	Kontakt servicerepræsentanten.
Det er svært at starte motoren, eller den mister kraft.	Snavs, vand eller gammelt brændstof i tanken.	Tøm brændstoffet af og rens tanken. Fyld tanken med rent, frisk brændstof.
	Udluftningshullet i brændstoftankens dæksel er tilstoppet.	Rens eller udskift brændstoftankens dæksel.
	Luffilterelementet er beskidt.	Rens luffilterelementet.
Motoren kører ujævnt.	Tændrøret er defekt.	Monter et nyt tændrør med korrekt tændrørsafstand: se BRUGERVEJLEDNING TIL MOTOR.
	Forkert tændrørsafstand.	Indstil afstanden mellem elektroderne på 0,7 til 0,8 mm.
	Luffilterelementet er beskidt.	Rens luffilterelementet: se BRUGERVEJLEDNING TIL MOTOR.
Motoren går dårligt i tomgang.	Luffilterelementet er beskidt.	Rens luffilterelementet: se BRUGERVEJLEDNING TIL MOTOR.
	Luftåbningerne i motorhuset er blokeret.	Fjern græsrester fra åbningerne.
	Køleribber og luftpassager under motorens blæserhus er blokeret.	Fjern græsrester fra køleribber og luftpassager.
Motoren hopper ved høj hastighed.	Afstanden mellem tændrørets elektroder er for lille.	Indstil afstanden mellem elektroderne på 0,7 til 0,8 mm.
Motoren overopheder.	Gennemstrømningen af køleluft er begrænset.	Fjern eventuelle græsrester fra åbningerne i motorhuset, blæserhuset og luftpassager.
	Forkert tændrør.	PLM4630/PLM4631: Monter RJ19LMC-tændrør og køleribber på motoren. PLM4632/PLM5130: Monter QC12YC-tændrør og køleribber på motoren.
Plæneklipperen vibrerer unormalt.	Knivmontagen er løs.	Stram kniven.
	Knivmontagen er ikke afbalanceret.	Afbalancer kniven.

13. MILJØ

Skulle din maskine trænge til at blive udskiftet efter lang tids brug, skal den ikke bortskaffes sammen med husholdningsaffald, men bortskaffes på en miljømæssig sikker måde.

Kun for lande i Europa

EF-overensstemmelseserklæring

Vi, Makita Corporation, erklærer som ansvarlig producent at følgende Makita-maskine(r):

Maskinens betegnelse: Benzinplæneklipper
Modelnummer/type: PLM4630, PLM4631, PLM4632, PLM5130

Specifikationer: Se "4. TEKNISKE DATA" er en produktionsserie og

overholder følgende europæiske direktiver:

2004/108/EF, 2006/42/EF,
2000/14/EF og 2005/88/EF

Og er produceret i overensstemmelse med følgende
standarder eller standardiserede dokumenter:

EN 836, EN ISO 14982

Den tekniske dokumentation findes hos:

Makita International Europe Ltd.,
Technical Department,
Michigan Drive, Tongwell,
Milton Keynes, Bucks MK15 8JD, England

Den konformitetsvurderingsprocedure, der kræves af
Direktiv 2000/14/EF, blev udført i henhold til appendiks VI.

Underrettet organ:

TÜV SÜD Industrie Service GmbH
Westendstraße 199, D-80686 München
Identifikationsnummer: 0036

Model: PLM4630, PLM4631

Målt lydeffektniveau: 94,2 dB (A)
Garanteret lydeffektniveau: 96 dB (A)

Model: PLM4632

Målt lydeffektniveau: 94,3 dB (A)
Garanteret lydeffektniveau: 96 dB (A)

Model: PLM5130

Målt lydeffektniveau: 95,9 dB (A)
Garanteret lydeffektniveau: 98 dB (A)

30. 11. 2012



Tomoyasu Kato
Direktør

Makita Corporation
3-11-8, Sumiyoshi-cho,
Anjo, Aichi, 446-8502, JAPAN

Περιγραφή γενικής όψης

- | | | |
|--|--|--------------------------------|
| 1. Χερούλι χειρισμού φρένου | 11. Πλευρικό κανάλι εκφόρτωσης | 21. Δείκτης στάθμης |
| 2. Πάνω τμήμα χερουλιού | 12. Πτερύγιο πλευρικού θαλάμου | 22. Μπουλόνι |
| 3. Χερούλι χειρισμού αυτόματης κίνησης | 13. Πλατφόρμα | 23. Ροδέλα |
| 4. Μοχλός τσοκ | 14. Μπουζί | 24. Κουμπί ασφάλισης |
| 5. Χερούλι εκκινήτρια | 15. Τάπα λαδιού | 25. Παξιμάδι κλειδώματος |
| 6. Οδηγός σχοινού | 16. Τάπα καυσίμου | 26. Μηχανισμός ρύθμισης γωνίας |
| 7. Μοχλός ασφάλισης | 17. Σφιγκτήρας καλωδίου | 27. Κουμπί |
| 8. Κάτω τμήμα χερουλιού | 18. Δακτύλιος στερέωσης καλωδίου | 28. Τάπα λαδιού/ράβδος στάθμης |
| 9. Συλλογέας γρασιδιού | 19. Μοχλός ρύθμισης ταχύτητας | 29. Μέγιστο: ανώτερο όριο |
| 10. Μοχλός ρύθμισης ύψους | 20. Σφήνα δημιουργίας υπολειμμάτων γρασιδιού | 30. Ελάχιστο: κατώτατο όριο |
| | | 31. Βίδα |



ΠΡΟΕΙΔΟΠΟΙΗΣΗ:

Για την δική σας ασφάλεια παρακαλώ διαβάστε αυτό το εγχειρίδιο πριν προσπαθήσετε να θέσετε σε λειτουργία την καινούργια σας συσκευή. Αν δεν ακολουθήσετε τις οδηγίες μπορεί να προκληθεί σοβαρός προσωπικός τραυματισμός. Αφιερώστε λίγο χρόνο για να εξοικειωθείτε με το χλοοκοπτικό πριν από την κάθε χρήση.

1. ΣΥΜΒΟΛΑ ΠΟΥ ΕΙΝΑΙ ΤΥΠΩΜΕΝΑ ΠΑΝΩ ΣΤΟ ΠΡΟΪΟΝ



Διαβάστε το εγχειρίδιο του χρήστη.



Κρατήστε μακριά τους παρευρισκόμενους.



Δώστε περισσότερη προσοχή στα χέρια και στα πόδια του χειριστή για να αποτρέψετε τον τραυματισμό.



Το καύσιμο είναι εύφλεκτο, κρατήστε μακριά τη φωτιά. Μην προσθέτετε καύσιμο όταν λειτουργεί το μηχάνημα.



Τοξικοί ατμοί. Μην το λειτουργείτε μέσα στο σπίτι.



Κατά την κοπή χόρτων, παρακαλώ φοράτε γυαλιά και ωτασπίδες για την προστασία του χειριστή.



Κατά την επισκευή, παρακαλώ βγάλτε το μπουζί και επισκευάστε σύμφωνα με το εγχειρίδιο οδηγιών.



Προσοχή: Ο κινητήρας είναι ζεστός.

2. ΓΕΝΙΚΟΙ ΚΑΝΟΝΕΣ ΑΣΦΑΛΕΙΑΣ



ΠΡΟΕΙΔΟΠΟΙΗΣΗ: Όταν χρησιμοποιείτε βενζινοκίνητα εργαλεία, πάντοτε πρέπει να ακολουθείτε όλες τις βασικές προφυλάξεις για την ασφάλεια, περιλαμβανομένων αυτών που περιγράφονται στη συνέχεια, για να μειώσετε τον κίνδυνο προσωπικού τραυματισμού και/ή βλάβης της συσκευής. Διαβάστε όλες αυτές τις οδηγίες πριν τον χειρισμό αυτού του προϊόντος και κρατήστε τις για μελλοντική αναφορά.



ΠΡΟΕΙΔΟΠΟΙΗΣΗ: Το μηχάνημα αυτό παράγει ένα ηλεκτρομαγνητικό πεδίο κατά τη λειτουργία. Το πεδίο αυτό, υπό ορισμένες συνθήκες, μπορεί να προκαλέσει παρεμβολή σε ενεργά ή παθητικά εμφυτεύματα. Για την μείωση του κινδύνου του σοβαρού ή του θανατηφόρου τραυματισμού, συνιστούμε στα άτομα με ιατρικά εμφυτεύματα να συμβουλευτούν τον ιατρό τους και τον κατασκευαστή του ιατρικού εμφυτεύματος πριν από τον χειρισμό αυτού του μηχανήματος.

Εκπαίδευση

- Διαβάστε προσεκτικά τις οδηγίες. Εξοικειωθείτε με τα χειριστήρια και την σωστή χρήση του μηχανήματος.
- Ποτέ μην επιτρέψετε την χρήση του χλοοκοπτικού από παιδιά ή από άτομα που δεν γνωρίζουν αυτές τις οδηγίες. Μπορεί να υπάρχει περιορισμός όσον αφορά την ηλικία του χρήστη από την τοπική νομοθεσία.
- Ποτέ να μην κόβετε το γρασίδι όταν βρίσκονται κοντά άλλα άτομα, ιδιαίτερα παιδιά ή κατοικίδια ζώα.

- Έχετε κατά νου ότι ο χρήστης ή ο χειριστής είναι υπεύθυνος για τα ατυχήματα ή τους κινδύνους που προκαλούνται στα άλλα άτομα ή στην ιδιοκτησία τους.

Προετοιμασία

- Κατά την κοπή του γρασιδιού πάντοτε να φοράτε ενιαυχμένα παπούτσια και μακριά παντελόνια. Μην χειρίζεστε τη συσκευή όταν δεν φοράτε παπούτσια ή όταν φοράτε ανοικτά πέδιλα.
- Επιθεωρήστε σχολαστικά την περιοχή στην οποία θα χρησιμοποιηθεί η συσκευή και απομακρύνετε όλα τα αντικείμενα τα οποία μπορούν να εκσφενδονιστούν από το μηχάνημα.
- ΠΡΟΕΙΔΟΠΟΙΗΣΗ- Η βενζίνη είναι πάρα πολύ εύφλεκτη.
 - αποθηκεύστε το καύσιμο σε δοχεία που είναι ειδικά σχεδιασμένα για αυτό το σκοπό,
 - ανεφοδιάστε σε εξωτερικό χώρο και να μην κανιζείτε κατά τη διάρκεια του ανεφοδιασμού,
 - προσθέστε καύσιμο πριν την εκκίνηση του κινητήρα. Ποτέ να μην αφαιρέσετε την τάπα του ρεζερβουάρ καυσίμου ή να προσθέσετε βενζίνη καθώς ο κινητήρας λειτουργεί ή όταν ο κινητήρας είναι ζεστός.
 - εάν η βενζίνη χυθεί κάτω μην προσπαθήσετε να ξεκινήσετε τον κινητήρα αλλά μετακινήστε το μηχάνημα μακριά από την περιοχή αυτή και αποφύγετε να δημιουργήσετε την οποιαδήποτε πηγή ανάφλεξης έως ότου εξαλειφθούν οι ατμοί της βενζίνης,
 - επανατοποθετήστε καλά όλες τις τάπες του ρεζερβουάρ καυσίμου και των δοχείων.
- Αντικαταστήστε όλους τους σιαγατήρες που έχουν υποστεί βλάβη.
- Πριν από την χρήση, πάντοτε να κάνετε μια οπτική επιθεώρηση για να δείτε ότι δεν έχουν φθαρεί ή έχουν πάθει βλάβη οι λάμες, τα μπουλόνια των λαμών και το συγκρότημα του κόφτη. Αντικαταστήστε ταυτόχρονα όλες τις λάμες και τα μπουλόνια που έχουν υποστεί φθορά ή ζημιά για να διατηρήσετε την ζυγοστάθμιση.

Λειτουργία

- Μην λειτουργήσετε τον κινητήρα σε ένα περιορισμένο χώρο όπου μπορούν να συγκεντρωθούν οι επικίνδυνοι ατμοί του μονοξειδίου του άνθρακα.
- Να κόβετε το γρασίδι μόνο κατά τη διάρκεια της ημέρας ή όταν υπάρχει επαρκής ελαφριάς φωτισμός.
- Όπου είναι εφικτό, αποφεύγετε να χρησιμοποιείτε την συσκευή σε υγρό γρασίδι.
- Πάντοτε να κρατάτε καλό βηματισμό στις πλαγιές.
- Περπατάτε, ποτέ να μην τρέχετε.
- Με τα τροχοφόρα περιστροφικά μηχανήματα, κόβετε το γρασίδι κατά πλάτος των επικλινών εδαφών, ποτέ πάνω και κάτω.
- Να δίνετε μεγάλη προσοχή κατά την αλλαγή διεύθυνσης σε επικλινή εδάφη.
- Μην κόβετε γρασίδι σε εδάφη με υπερβολικά μεγάλη κλίση.
- Δώστε μεγάλη προσοχή όταν κάνετε αναστροφή ή όταν τραβάτε το χλοοκοπτικό προς το μέρος σας.
- Σταματήστε τη λάμα(ες) εάν στο χλοοκοπτικό πρόκειται να δοθεί κλίση για να μεταφερθεί πάνω από επιφάνειες στις οποίες δεν υπάρχει γρασίδι, καθώς επίσης και

κατά την μετακίνηση του χλοοκοπτικού από και προς την περιοχή στην οποία θα κοπεί το γρασίδι.

- Ποτέ να μην λειτουργείτε το χλοοκοπτικό με ελαττωματικές προφυλακτήρες ή χωρίς να είναι τοποθετημένες οι συσκευές ασφαλείας, για παράδειγμα οι εκτροπείς και/ή οι συλλέκτες γρασιδιού.
- Μην αλλάξετε τις ρυθμίσεις του ρυθμιστή του κινητήρα ή μην αυξήσετε υπερβολικά την ταχύτητα του κινητήρα.
- Απεμπλέξτε όλες τις λάμες και τους συμπλέκτες μετάδοσης κίνησης πριν ξεκινήσετε τον κινητήρα.
- Ξεκινήστε τον κινητήρα προσεκτικά σύμφωνα με τις οδηγίες και με τα πόδια σας μακριά από τη λάμα(ες).
- Μην δώσετε κλίση στο χλοοκοπτικό κατά την εκκίνηση του κινητήρα.
- Μην ξεκινάτε τον κινητήρα όταν στέκεστε μπροστά από το στόμιο εκφόρτισης.
- Μην βάλτε τα χέρια σας ή τα πόδια σας κοντά ή κάτω από τα περιστρεφόμενα μέρη. Κρατηθείτε πάντοτε μακριά από τα στόμια εκφόρτισης.
- Ποτέ να μην σηκώσετε ή μεταφέρετε το χλοοκοπτικό όταν λειτουργεί ο κινητήρας.
- Σταματήστε τον κινητήρα και αποσυνδέστε το καλώδιο του μπουζί, βεβαιωθείτε ότι όλα τα κινούμενα μέρη έχουν σταματήσει εντελώς, καθώς επίσης όπου υπάρχει τοποθετημένο κλειδί αφαιρέστε το:
 - πριν από τα ξεμπλοκαρίσματα ή από τον καθαρισμό του στομίου,
 - πριν από τον έλεγχο, τον καθαρισμό ή την εκτέλεση εργασιών πάνω στο χλοοκοπτικό,
 - μετά από το κτύπημα ενός ξένου αντικειμένου.
- Επιθεωρήστε το χλοοκοπτικό για την ύπαρξη ζημιάς και πραγματοποιήστε τις επιδιορθώσεις πριν την επανεκκίνηση και τη χρήση του,
 - εάν το χλοοκοπτικό αρχίσει να δονείται με μη φυσιολογικό τρόπο (επιθεωρήστε αμέσως).
- Σταματήστε τον κινητήρα και αποσυνδέστε το καλώδιο του μπουζί, βεβαιωθείτε ότι όλα τα κινούμενα μέρη έχουν σταματήσει εντελώς, καθώς επίσης όπου υπάρχει τοποθετημένο κλειδί αφαιρέστε το:
 - όποτε αφήνετε μόνο του το χλοοκοπτικό,
 - πριν από τον ανεφοδιασμό με καύσιμο.
- Ελαττώστε τη ρύθμιση του γκαζιού κατά το σβήσιμο του κινητήρα, καθώς επίσης όταν υπάρχει στον κινητήρα μια βαλβίδα διακοπής, διακόψτε την παροχή καυσίμου με την ολοκλήρωση της εργασίας κοπής του γρασιδιού.

Συντήρηση και αποθήκευση

- Διατηρήστε όλα τα ταξιμόδια, τα μπουλόνια και τις βίδες σφικτά για να εξασφαλίσετε ότι η συσκευή βρίσκεται σε ασφαλή κατάσταση λειτουργίας.
- Ποτέ μην αποθηκεύσετε τη συσκευή σε ένα κτήριο με τη βενζίνη μέσα στο ρεζερβουάρ, όπου οι αναθυμιάσεις μπορεί να φτάσουν σε μια γυμνή φλόγα ή σε σπινθήρα.
- Αφήστε τον κινητήρα να κρυώσει πριν την αποθήκευση στον οποιοδήποτε κλειστό χώρο.
- Για να ελαττώσετε τον κίνδυνο πρόκλησης πυρκαγιάς, διατηρήστε τον κινητήρα, τον σιαγατήρα, το διαμέρισμα της μπαταρίας και την περιοχή φύλαξης της βενζίνης καθαρά από γρασίδι, φύλλα ή υπερβολικό γράσο.
- Ελέγχετε τακτικά το συλλογέα γρασιδιού για την ύπαρξη φθοράς ή επιδείνωσης της λειτουργίας.
- Για ασφάλεια αντικαθιστάτε τα φθαμένα ή κατεστραμμένα εξαρτήματα.

- Αν πρέπει να αποστραγγιστεί το ρεζερβουάρ καυσίμου, η ενέργεια αυτή πρέπει να γίνει σε εξωτερικό χώρο.



ΠΡΟΕΙΔΟΠΟΙΗΣΗ: Μην αγγίζετε την περιστρεφόμενη λάμα.



ΠΡΟΕΙΔΟΠΟΙΗΣΗ: Ανεφοδιάστε σε μια καλά αεριζόμενη περιοχή με τον κινητήρα σταματημένο.

3. ΠΕΡΙΓΡΑΦΗ ΕΞΑΡΤΗΜΑΤΩΝ (Εικ. 1, Εικ. 2, Εικ. 3, Εικ. 4)

Συμπεριλαμβάνονται

A: Κλειδί για το μπουζί

4. ΤΕΧΝΙΚΑ ΔΕΔΟΜΕΝΑ

Μοντέλο	PLM4630	PLM4631	PLM4632	PLM5130
Τύπος κινητήρα	Σειρά B&S 675EX, ReadyStart	Σειρά B&S 675EX, ReadyStart	Σειρά B&S 750EX, ReadyStart	Σειρά B&S 750EX, ReadyStart
Αυτοκινούμενο	Όχι	Ναι	Ναι	Ναι
Εκτόπισμα κινητήρα	190 cm ³	190 cm ³	161 cm ³	161 cm ³
Πλάτος λάμας	460 mm	460 mm	460 mm	510 mm
Ονομαστική ταχύτητα	2.800/min	2.800/min	2.800/min	2.800/min
Χωρητικότητα ρεζερβουάρ	1,0 L	1,0 L	1,0 L	1,0 L
Χωρητικότητα ρεζερβουάρ λαδιού	0,6 L	0,6 L	0,6 L	0,6 L
Χωρητικότητα συλλογέα γρασιδιού	60 L	60 L	60 L	65 L
Καθαρό βάρος	31,5 kg	34 kg	35 kg	38 kg
Ρύθμιση ύψους	20-75 mm, 8 ρυθμίσεις	20-75 mm, 8 ρυθμίσεις	20-75 mm, 8 ρυθμίσεις	20-75 mm, 8 ρυθμίσεις

	PLM4630	PLM4631	PLM4632	PLM5130
Εγγυημένο επίπεδο ηχητικής πίεσης στη θέση του χειριστή (Σύμφωνα με το πρότυπο EN ISO 3744, EN ISO 4871)	83,5 dB (A) (K=3 dB (A))	83,5 dB (A) (K=3 dB (A))	83,9 dB (A) (K=3 dB (A))	85,7 dB (A) (K=3 dB (A))
Μετρημένο επίπεδο ηχητικής ισχύος	94,2 dB (A) K=1,95 dB (A)	94,2 dB (A) K=1,95 dB (A)	94,3 dB (A) K=1,80 dB (A)	95,9 dB (A) K=2,16 dB (A)
Εγγυημένο επίπεδο ηχητικής ισχύος (Σύμφωνα με το πρότυπο 2000/14/ΕΚ)	96 dB (A)	96 dB (A)	96 dB (A)	98 dB (A)
Δόνηση (Σύμφωνα με το πρότυπο EN ISO 20643)	6,58 m/s ² K=1,5 m/s ²	6,58 m/s ² K=1,5 m/s ²	7,12 m/s ² K=1,5 m/s ²	6,53 m/s ² K=1,5 m/s ²

5. ΣΥΝΑΡΜΟΛΟΓΗΣΗ

5-1 ΣΥΝΑΡΜΟΛΟΓΗΣΗ ΤΟΥ ΑΝΑΔΙΠΛΟΥΜΕΝΟΥ ΧΕΡΟΥΛΙΟΥ

1. Στερεώστε την κάτω ράβδο οδήγησης στο στήριγμα του χερουλιού με το μπουλόνι, τη ροδέλα και το κουμπί ασφάλισης. **(Εικ. 5)**
2. Ανυψώστε τους δύο μοχλούς ασφάλισης για να συνδέσετε το τμήμα χερουλιού με το πάνω τμήμα χερουλιού. **(Εικ. 6)**
3. Σπρώξτε τον μοχλό ασφάλισης για να κλείσει και να ασφαλίσει τις ράβδους οδήγησης στη λειτουργική θέση. **(Εικ. 7)**
4. Ρυθμίστε την τάση περιστρέφοντας το παξιμάδι κλειδώματος με κατάλληλο κλειδί. **(Εικ. 8)**
5. Τοποθετήστε το καλώδιο πάνω από τον άξονα του χερουλιού. Στερεώστε το γύρω από το μέσω του κάτω τμήματος χερουλιού με το σφινκτήρα του καλωδίου και

βεβαιωθείτε ότι το καλώδιο είναι στερεωμένο στο εξωτερικό του μηχανήματος. **(Εικ. 9, Εικ. 10)** Σε αντίθετη περίπτωση το καλώδιο μπορεί να τρυπηθεί από το άνοιγμα/κλείσιμο του πίσω καλύμματος.

5-2 ΡΥΘΜΙΣΗ ΤΗΣ ΚΑΤΑΛΛΗΛΗΣ ΓΩΝΙΑΣ

- 1) Τραβήξτε το άνοιγμα του μοχλού ασφάλισης.
- 2) Περιστρέψτε το πάνω τμήμα χερουλιού στο κέντρο του μηχανισμού ρύθμισης γωνίας για να ρυθμίσετε την κατάλληλη γωνία στο εύρος -15° έως 15° (3 θέσεις: -15°/0°/15°) όπως δείχνεται στην **Εικ. 11**.
- 3) Πιέστε για να κλείσει ο μοχλός ασφάλισης και να συνδεθεί το κάτω τμήμα χερουλιού με το πάνω τμήμα χερουλιού.

5-3 ΣΤΕΡΕΩΣΗ ΚΑΙ ΑΠΟΣΥΝΑΡΜΟΛΟΓΗΣΗ ΤΟΥ ΣΥΛΛΟΓΕΑ ΓΡΑΣΙΔΙΟΥ

1. Για την τοποθέτηση: Ανυψώστε το πίσω κάλυμμα και συνδέστε το συλλογέα γρασιδιού στο πίσω μέρος του χλοοκοπτικού. (Εικ. 12, Εικ. 13, Εικ. 14)
2. Για την αφαίρεση: Πιάστε και ανυψώστε το πίσω κάλυμμα, αφαιρέστε το συλλογέα γρασιδιού.

5-4 ΧΕΡΟΥΛΙ ΕΚΚΙΝΗΤΗΡΑ

Μετακινήστε το χερούλι εκκινήτρια από τον κινητήρα προς τον οδηγό σχοινιού. (Εικ. 15)

5-5 ΥΨΟΣ ΚΟΠΗΣ

Ασκήστε μια πίεση προς τα έξω για να αποσυνδέσετε τον μοχλό από την οδοντωτή βάση στήριξης. Μετακινήστε τον μοχλό προς τα εμπρός ή πίσω για να ρυθμίσετε το ύψος. (Εικ. 16 και δείτε τα στοιχεία 7-9)

6. ΛΕΙΤΟΥΡΓΙΑ

Η κανονική λειτουργία αυτού του χλοοκοπτικού μπορεί να τροποποιηθεί, ανάλογα με τον σκοπό της εφαρμογής:

Από χλοοκοπτικό με πίσω συλλογή σε:

1. Χλοοκοπτικό δημιουργίας υπολειμμάτων ή
 2. Χλοοκοπτικό πλευρικής εκφόρτωσης.
- Τί σημαίνει κάλυψη εδάφους με υπολείμματα γρασιδιού; Κατά την εργασία δημιουργίας υπολειμμάτων γρασιδιού, το γρασίδι κόβεται από το μηχανήμα στο πρώτο βήμα και στη συνέχεια κόβεται ξανά σε μικρά κομμάτια και επιστρέφει πίσω στη λωρίδα του γρασιδιού στο έδαφος ως φυσικό λίπασμα.
- Υποδείξεις για την εργασία δημιουργίας υπολειμμάτων γρασιδιού:
- Κανονική κοπή κατά μεγ. 2 cm από το ύψος γρασιδιού των 6 cm ως 4 cm.
 - Χρησιμοποιήστε ένα κοφτερό μαχαίρι.
 - Μην κόβεται υπολείμματα υγρού γρασιδιού.
 - Ρυθμίστε τη μέγιστη ταχύτητα του κινητήρα.
 - Μετακινήστε μόνο με το ρυθμό εργασίας.
 - Καθαρίζετε τακτικά τη σφήνα δημιουργίας υπολειμμάτων γρασιδιού, την εσωτερική πλευρά του περιβλήματος και τη λάμα δημιουργίας υπολειμμάτων.

Λειτουργία εκκίνησης

6-1 Τροποποίηση για χλοοκοπτικό δημιουργίας υπολειμμάτων γρασιδιού



ΠΡΟΕΙΔΟΠΟΙΗΣΗ: Μόνο με σταματημένο τον κινητήρα και ακίνητο τον κόφτη.

1. Ανυψώστε το πίσω κάλυμμα και αφαιρέστε τον συλλογέα γρασιδιού.
2. Σπρώξτε τη σφήνα δημιουργίας υπολειμμάτων γρασιδιού μέσα στη πλατφόρμα του μηχανήματος. Ασφαλίστε τη σφήνα δημιουργίας υπολειμμάτων γρασιδιού με το κομμάτι μέσα στο άνοιγμα της πλατφόρμας. (Εικ. 17, Εικ. 18)
3. Χαμηλώστε ξανά το πίσω κάλυμμα. (Εικ. 19)

4. Ανυψώστε το πτερύγιο του πλευρικού καναλιού εκφόρτωσης και αφαιρέστε το κανάλι πλευρικής εκφόρτωσης.

6-2 Αναδιτάξη για κοπή γρασιδιού με πλευρική εκφόρτωση



Μόνο όταν το μοτέρ και ο κόφτης είναι σταματημένοι!

1. Ανυψώστε το πίσω κάλυμμα και αφαιρέστε τον συλλογέα γρασιδιού.
2. Στερεώστε τη σφήνα δημιουργίας υπολειμμάτων γρασιδιού.
3. Ανυψώστε το πτερύγιο του πλευρικού θαλάμου για εκφόρτωση από το πλάι. (Εικ. 20)
4. Στερεώστε το πλευρικό κανάλι εκφόρτωσης για την πλευρική εκφόρτωση στον πείρο στήριξης του πτερυγίου του πλευρικού θαλάμου. (Εικ. 21)
5. Χαμηλώστε το πτερύγιο του πλευρικού θαλάμου- το πτερύγιο βρίσκεται στο πλευρικό κανάλι εκφόρτωσης. (Εικ. 22)

6-3 Κοπή γρασιδιού με το συλλογέα γρασιδιού



Μόνο με σταματημένο τον κινητήρα και ακίνητο τον κόφτη.

Για την κοπή γρασιδιού με το συλλογέα γρασιδιού, αφαιρέστε τη σφήνα δημιουργίας υπολειμμάτων γρασιδιού και το κανάλι πλευρικής εκφόρτωσης και στερεώστε το συλλογέα γρασιδιού.

1. Αφαίρεση της σφήνας δημιουργίας υπολειμμάτων γρασιδιού.
 - Ανυψώστε το πίσω κάλυμμα και αφαιρέστε τη σφήνα δημιουργίας υπολειμμάτων γρασιδιού.
2. Αφαίρεση του πλευρικού καναλιού εκφόρτωσης για την πλευρική εκφόρτωση.
 - Ανυψώστε το πτερύγιο του πλευρικού θαλάμου και αφαιρέστε το κανάλι πλευρικής εκφόρτωσης.
 - Το πτερύγιο του πλευρικού θαλάμου κλείνει αυτόματα το άνοιγμα εκφόρτωσης στη θήκη μέσω της δύναμης του ελατηρίου.
 - Να καθαρίζετε τακτικά το πτερύγιο του πλευρικού θαλάμου και το άνοιγμα εκφόρτωσης από τα υπολείμματα γρασιδιού και την κολλημένη βρωμιά.
3. Στερεώστε το συλλογέα γρασιδιού.
 - Για την τοποθέτηση: Ανυψώστε το πίσω κάλυμμα και συνδέστε το συλλογέα γρασιδιού στο πίσω μέρος του χλοοκοπτικού.
 - Για την αφαίρεση: Πιάστε και ανυψώστε το πίσω κάλυμμα, αφαιρέστε το συλλογέα γρασιδιού.

7. ΟΔΗΓΙΕΣ ΛΕΙΤΟΥΡΓΙΑΣ

7-1 ΠΡΙΝ ΑΠΟ ΤΗΝ ΕΚΚΙΝΗΣΗ

Προσθέστε στον κινητήρα βενζίνη και λάδι σύμφωνα με τις οδηγίες που βρίσκονται στο ξεχωριστό εγχειρίδιο του κινητήρα που παρέχεται με το χλοοκοπτικό σας. Διαβάστε προσεκτικά τις οδηγίες. (Εικ. 23, Εικ. 24, Εικ. 25, Εικ. 26)



ΠΡΟΕΙΔΟΠΟΙΗΣΗ: Η βενζίνη είναι πάρα πολύ εύφλεκτη.

Αποθηκεύστε το καύσιμο σε δοχεία που είναι ειδικά σχεδιασμένα για αυτό το σκοπό.

Ανεφοδιάστε μόνο σε εξωτερικό χώρο, πριν την εκκίνηση του κινητήρα και μην καπνίζετε κατά τη διάρκεια του ανεφοδιασμού ή του χειρισμού του καυσίμου.

Ποτέ να μην αφαιρέσετε την τάπα του ρεζερβουάρ καυσίμου ή να προσθέσετε βενζίνη όταν ο κινητήρας λειτουργεί ή όταν ο κινητήρας είναι ζεστός.

Εάν η βενζίνη χυθεί κάτω μην προσπαθήσετε να ξεκινήσετε τον κινητήρα αλλά μετακινήστε το μηχάνημα μακριά από την περιοχή αυτή και αποφύγετε να δημιουργήσετε την οποιαδήποτε πηγή ανάφλεξης έως ότου εξαλειφθούν οι ατμοί της βενζίνης.

Επαναποθετήστε καλά όλες τις τάπες του ρεζερβουάρ καυσίμου και των δοχείων.

Πριν δώσετε κλίση στο χλοοκοπτικό για την συντήρηση της λάμας ή την αποστράγγιση του λαδιού, αφαιρέστε το καύσιμο από το ρεζερβουάρ.



ΠΡΟΕΙΔΟΠΟΙΗΣΗ: Ποτέ να μην γεμίζετε το ρεζερβουάρ με καύσιμο σε εσωτερικό χώρο, με τον κινητήρα σε λειτουργία ή εάν ο κινητήρας δεν έχει αφαιρεθεί να κρυώσει για τουλάχιστον 15 λεπτά μετά την λειτουργία του.

7-2 ΓΙΑ ΝΑ ΞΕΚΙΝΗΣΕΤΕ ΤΟΝ ΚΙΝΗΤΗΡΑ ΚΑΙ ΝΑ ΛΕΙΤΟΥΡΓΗΣΕΙ Η ΛΑΜΑ

1. Η συσκευή είναι εφοδιασμένη με μια επένδυση από ελαστικό πάνω στο άκρο του μπουζί, βεβαιωθείτε ότι ο μεταλλικός βρόγχος στο άκρο του καλωδίου του μπουζί (μέσα στην ελαστική επένδυση) είναι στερεωμένος σωστά πάνω στο μεταλλικό άκρο του μπουζί.
2. Κατά την εκκίνηση ενός κρούου κινητήρα, στρέψτε τον μοχλό του τσοκ στη θέση "☁". Κατά την εκκίνηση ενός ζεστού κινητήρα και τη λειτουργία του, στρέψτε το μοχλό του τσοκ στη θέση "☁". (Εικ. 27)
3. Στέκοντας πίσω από τη συσκευή, πιάστε το χερούλι χειρισμού του φρένου και κρατήστε το έναντι του πάνω τμήματος χερουλιού όπως δείχνεται στην Εικ. 28.
4. Πιάστε το χερούλι εκκίνησης όπως δείχνεται στη Εικ. 28 και τραβήξτε το γρήγορα. Επιστρέψτε το αργά στο μπουλόνι του οδηγού του σχοινιού αφότου ξεκινήσει ο κινητήρας.

Αφήστε το χερούλι χειρισμού του φρένου για να σταματήσετε τον κινητήρα και τη λάμα.



Ξεκινήστε τον κινητήρα προσεκτικά σύμφωνα με τις οδηγίες και με τα πόδια σας μακριά από τη λάμα.



Μην δώσετε κλίση στο χλοοκοπτικό κατά την εκκίνηση του κινητήρα. Ξεκινήστε το χλοοκοπτικό σε μια επίπεδη επιφάνεια, εκεί όπου δεν υπάρχει γρασιδί ή άλλα εμπόδια.



Μην πλησιάζετε τα χέρια και τα πόδια σας στα περιστρεφόμενα μέρη. Μην ξεκινάτε τον κινητήρα όταν στέκεστε μπροστά από το στόμιο εκφόρτισης.

7-3 ΔΙΑΔΙΚΑΣΙΕΣ ΛΕΙΤΟΥΡΓΙΑΣ

Κατά τη λειτουργία, κρατήστε το χερούλι ελέγχου του φρένου γερά με τα δυο σας χέρια.

Σημείωση: Κατά τη λειτουργία, όταν ελευθερώσετε το χερούλι ελέγχου του φρένου, θα σταματήσει ο κινητήρας και κατά συνέπεια θα σταματήσει να λειτουργεί το χλοοκοπτικό.

7-4 ΓΙΑ ΝΑ ΣΤΑΜΑΤΗΣΕΤΕ ΤΟΝ ΚΙΝΗΤΗΡΑ



ΠΡΟΣΟΧΗ: Η λάμα συνεχίζει να περιστρέφεται για μερικά δευτερόλεπτα μετά την απενεργοποίηση του κινητήρα.

1. Αφήστε το χερούλι χειρισμού του φρένου για να σταματήσει τον κινητήρα και τη λάμα. (Εικ. 29)
2. Αποσυνδέστε και γειώστε το καλώδιο του μπουζί σύμφωνα με τις οδηγίες στο ξεχωριστό εγχειρίδιο οδηγιών του κινητήρα για να αποτρέψετε την εκκίνηση της συσκευής όταν την αφήνετε χωρίς επίβλεψη.

7-5 ΣΥΝΔΕΞΗ ΓΙΑ ΤΗΝ ΑΥΤΟΜΑΤΗ ΚΙΝΗΣΗ

Για PLM4631

Πιάστε το χερούλι χειρισμού αυτόματης κίνησης, το χλοοκοπτικό θα μετακινήθει αυτόματα προς τα εμπρός με ταχύτητα περίπου 3,6 km/h (Εικ. 30), αφήστε το χερούλι αυτόματης κίνησης, το χλοοκοπτικό θα σταματήσει να κινείται.

Για PLM4632, PLM5130

Το χλοοκοπτικό διαθέτει ένα σύστημα ρύθμισης της ταχύτητας που μπορεί να ρυθμίσει 3 ταχύτητες από τα 3,0 km/h έως τα 4,5 km/h.

Θέση "☁": η πιο αργή θέση. Θέση "☁☁": η πιο γρήγορη θέση. (Εικ. 31)

Τα βήματα για τη ρύθμιση αυτή αναφέρονται παρακάτω:

1. Ελευθερώστε το χερούλι χειρισμού αυτόματης κίνησης έως ότου το χλοοκοπτικό να μην μετακινείται προς τα εμπρός.
2. Ρυθμίστε την κατάλληλη ταχύτητα που επιθυμείτε. (Εικ. 31)
3. Πιάστε το χερούλι χειρισμού αυτόματης κίνησης για να αρχίσετε την κοπή του γρασιδιού. (Εικ. 30)



ΠΡΟΣΟΧΗ: Το χλοοκοπτικό σας είναι σχεδιασμένο για την κοπή οικιακού γρασιδιού με ύψος όχι μεγαλύτερο από τα 250 mm.

Μην προσπαθήσετε τα κόψετε το γρασιδί που έχει μεγάλο ύψος είτε είναι ξηρό ή υγρό (π.χ. σε βοσκότοπο) ή σωρούς από ξερά φύλλα. Υπάρχει κίνδυνος πυρκαγιάς εάν συσσωρευτούν τα αποκόμματα στην πλατφόρμα του χλοοκοπτικού ή έρθουν σε επαφή με την εξάτμιση του κινητήρα.

7-6 ΓΙΑ ΒΕΛΤΙΣΤΑ ΑΠΟΤΕΛΕΣΜΑΤΑ ΚΑΤΑ ΤΗΝ ΚΟΠΗ ΓΡΑΣΙΔΙΟΥ

Καθαρίστε την πρασιά από τα σκουπίδια. Βεβαιωθείτε ότι στην πρασιά δεν υπάρχουν πέτρες, ξύλα, καλώδια ή άλλα ξένα αντικείμενα τα οποία μπορούν να εκτοξευτούν προς τα έξω από το χλοοκοπτικό προς οποιαδήποτε κατεύθυνση και να προκαλέσουν σοβαρό προσωπικό τραυματισμό στο χειριστή και στα άλλα άτομα καθώς επίσης και την πρόκληση φθοράς στην περιουσία και στα τριγύρω αντικείμενα. Μην κόβετε υγρό γρασίδι. Για την αποτελεσματική κοπή γρασιδιού μην κόβετε το γρασίδι όταν είναι υγρό επειδή έχει την τάση να κολλάει στο κάτω μέρος της πλατφόρμας του μηχανήματος και με τον τρόπο αυτό αποτρέπεται η κατάλληλη κοπή των κομματιών του γρασιδιού. Να κόβετε όχι περισσότερο από το 1/3 του ύψους του γρασιδιού. Το συνιστάμενο ύψος κοπής γρασιδιού είναι το 1/3 του ύψους του γρασιδιού. Η ταχύτητα του εδάφους πρέπει να προσαρμόζεται ώστε τα κομμάτια να διασπείρονται ομοιόμορφα στην πρασιά. Για μια κοπή με ιδιαίτερο βαρύ φορτίο που απαντάται στο πυκνό γρασίδι, μπορεί να είναι απαραίτητη η χρήση μιας πιο αργής ταχύτητας έτσι ώστε να έχετε μια αποτελεσματική κοπή του γρασιδιού. Όταν πρόκειται για γρασίδι που έχει μεγάλο ύψος ενδοχρόνως να απαιτείται η κοπή της πρασιάς σε δυο φάσεις, χαμηλώνοντας τη λάμα για άλλο 1/3 του μήκους για την δεύτερη κοπή και ίσως με διαφορετικό τρόπο από αυτόν που χρησιμοποιήθηκε στην πρώτη φορά. Η μικρή επικάλυψη της κοπής με το κάθε πέρασμα θα βοηθήσει επίσης στην αφαίρεση των οποιονδήποτε ξεχασμένων κομματιών που έμειναν στην πρασιά. Το χλοοκοπτικό θα πρέπει πάντοτε να λειτουργεί στην πλήρη ταχύτητά του για να επιτευχθεί το βέλτιστο αποτέλεσμα και για να μπορεί να εκτελέσει την πιο αποτελεσματική κοπή γρασιδιού. Καθαρίστε το κάτω μέρος της πλατφόρμας κοπής του μηχανήματος μετά από κάθε χρήση για να αποφευχθεί η συσσώρευση γρασιδιού, η οποία μπορεί να αποτρέψει την κατάλληλη κοπή υπολειμμάτων. Κοπή φύλλων. Η κοπή των φύλλων μπορεί επίσης να είναι ευεργετική για την πρασιά σας. Κατά την κοπή των φύλλων, φροντίστε ώστε να είναι ξηρά και να μην είναι πολύ πυκνά πάνω στην πρασιά. Μην περιμένετε να πέσουν όλα τα φύλλα από τα δέντρα για να αρχίσετε την κοπή τους.



ΠΡΟΕΙΔΟΠΟΙΗΣΗ: Αν χτυπήσετε κάποιο ξένο αντικείμενο, σταματήστε τον κινητήρα. Αφαιρέστε το καλώδιο από το μπουζί, ελέγξτε καλά το χλοοκοπτικό για την ύπαρξη ζημιάς και επισκευάστε την πριν ξεκινήσετε ξανά την λειτουργία του χλοοκοπτικού. Η υπερβολική δόνηση του χλοοκοπτικού κατά τη λειτουργία αποτελεί ένδειξη ζημιάς. Η συσκευή θα πρέπει να επιθεωρηθεί άμεσα και να επισκευαστεί.

7-7 ΣΥΛΛΟΓΕΑΣ ΓΡΑΣΙΔΙΟΥ

Υπάρχει ένας δείκτης στάθμης στην κορυφή του συλλογέα γρασιδιού που δείχνει αν ο συλλογέας είναι άδειος ή γεμάτος (Εικ. 32, Εικ. 33):

- Ο δείκτης στάθμης φουσκώνει αν ο συλλογέας δεν είναι πλήρης κατά το κόψιμο γρασιδιού. (Εικ. 33)
- Αν ο συλλογέας είναι πλήρης ο δείκτης συμπύσσεται. Όταν συμβεί αυτό, σταματήστε αμέσως το κόψιμο γρασιδιού και αδειάστε το συλλογέα, βεβαιωθείτε ότι

είναι καθαρός και διασφαλίστε ότι αερίζεται το πλέγμα του. (Εικ. 32)

ΠΡΟΣΟΧΗ

Εάν η θέση ανοίγματος του δείκτη είναι πολύ βρώμικη, ο δείκτης δεν θα φουσκώσει. Στην περίπτωση αυτή, καθαρίστε αμέσως το σημείο του ανοίγματος του δείκτη.

7-8 ΠΛΑΤΦΟΡΜΑ

Το κάτω μέρος της πλατφόρμας του χλοοκοπτικού πρέπει να είναι καθαρό μετά από την κάθε χρήση για την αποτροπή συσσώρευσης κομματιών γρασιδιού, φύλλων, βρωμιάς ή άλλου υλικού. Η συσσώρευση αυτών των σκουπιδιών, θα προκαλέσει σκουριά και διάβρωση καθώς επίσης και πιθανώς να αποτρέψει την κατάλληλη δημιουργία των υπολειμμάτων γρασιδιού. Ο καθαρισμός της πλατφόρμας μπορεί να γίνει δίνοντας μια κλίση στο χλοοκοπτικό και ξυτώντας το με ένα κατάλληλο εργαλείο (φροντίστε ώστε να είναι αποσυνδεδεμένο το καλώδιο του μπουζι).

7-9 ΟΔΗΓΙΕΣ ΡΥΘΜΙΣΗΣ ΥΨΟΥΣ



ΠΡΟΣΟΧΗ: Μην προσπαθήσετε να κάνετε τις οποιεσδήποτε ρυθμίσεις στο χλοοκοπτικό χωρίς πρώτα να σταματήσετε τον κινητήρα και να αποσυνδέσετε το καλώδιο του μπουζι.



ΠΡΟΣΟΧΗ: Πριν αλλάξετε το ύψος της κοπής γρασιδιού, σταματήστε το χλοοκοπτικό και αποσυνδέστε το καλώδιο του μπουζι.

Το χλοοκοπτικό σας είναι εφοδιασμένο με ένα κεντρικό μοχλό ρύθμισης του ύψους που διαθέτει 8 διαβαθμίσεις του ύψους.

Το ύψος (η λάμα από το έδαφος) μπορεί να ρυθμιστεί από τα 20 mm έως τα 75 mm (8 θέσεις ύψους). (Εικ. 34) Η χαμηλότερη ρύθμιση: 20 mm (θέση 1), η υψηλότερη ρύθμιση: 75 mm (θέση 8).

1. Πριν αλλάξετε το ύψος της κοπής του χλοοκοπτικού, σταματήστε το και αποσυνδέστε το καλώδιο του μπουζι.
2. Ο κεντρικός μοχλός ρύθμισης του ύψους που διαθέτει 8 διαφορετικές διαβαθμίσεις του ύψους. (Εικ. 34) Για να αλλάξετε το ύψος της κοπής, πιέσετε το μοχλό ρύθμισης προς τον τροχό και μετακινήστε τον επάνω ή κάτω για να επιλέγετε το ύψος.

8. ΟΔΗΓΙΕΣ ΣΥΝΤΗΡΗΣΗΣ

ΜΠΟΥΖΙ

Χρησιμοποιήστε μόνο αυθεντικό ανταλλακτικό μπουζί. Για βέλτιστα αποτελέσματα, αντικαταστήστε το μπουζί κάθε 100 ώρες λειτουργίας.

9. ΟΔΗΓΙΕΣ ΛΙΠΑΝΣΗΣ



ΠΡΟΣΟΧΗ: ΑΠΟΣΥΝΔΕΣΤΕ ΤΟ ΜΠΟΥΖΙ ΠΡΙΝ ΤΗΝ ΕΝΑΡΞΗ ΤΗΣ ΕΡΓΑΣΙΑΣ ΣΥΝΤΗΡΗΣΗΣ.

1. ΤΡΟΧΟΙ-Λιπάνετε τα ρουλεμάν σε κάθε τροχό τουλάχιστον μια φορά ανά επόχλη με λεπτόρρευστο λάδι.

2. ΚΙΝΗΤΗΡΑΣ-Ακολουθήστε τις οδηγίες λίπανσης του εγχειριδίου του κινητήρα.

10. ΚΑΘΑΡΙΣΜΟΣ



ΠΡΟΣΟΧΗ: Μην καταβρέχετε τον κινητήρα με λάστιχο. Το νερό μπορεί να προκαλέσει ζημιά στον κινητήρα ή να ρυπάνει το σύστημα του καυσίμου.

1. Σκουπίστε τη πλατφόρμα με ένα στεγνό ύφασμα.
2. Βρέξτε κάτω από τη πλατφόρμα γέρνοντας το χλοοκοπτικό έτσι ώστε το μπουζί να είναι προς τα πάνω.

10-1 ΦΙΛΤΡΟ ΑΕΡΑ ΚΙΝΗΤΗΡΑ



ΠΡΟΣΟΧΗ: Μην αφήσετε τη βρωμιά ή τη σκόνη να βουλώσει τον αφρό του φίλτρου αέρα. Το φίλτρο αέρα του κινητήρα πρέπει να συντηρείται (καθαρίζεται) μετά από 25 ώρες φυσιολογικής κοπής γρασιδιού. Το στοιχείο του φίλτρου πρέπει να συντηρείται κανονικά εάν το χορτοκοπτικό πρόκειται να χρησιμοποιηθεί υπό συνθήκες σκόνης.

ΓΙΑ ΤΟΝ ΚΑΘΑΡΙΣΜΟ ΤΟΥ ΦΙΛΤΡΟΥ ΑΕΡΑ

1. Αφαιρέστε τη βίδα. (Εικ. 35 για PLM4632 και PLM5130)
2. Αφαιρέστε το κουμπί ασφαλίσης. (Εικ. 36 για PLM4630 και PLM4631)
3. Αφαιρέστε το κάλυμμα του φίλτρου.
4. Πλύνετε το στοιχείο του φίλτρου με σαπουνόνερο. **ΜΗΝ ΧΡΗΣΙΜΟΠΟΙΗΣΤΕ ΒΕΝΖΙΝΗ!**
5. Στεγνώστε με αέρα το στοιχείο του φίλτρου.
6. Βάλτε ορισμένες σταγόνες λαδιού SAE30 πάνω στο αφρώδες φίλτρο και πιέστε το ελαφρά για να αφαιρέσετε το τυχόν παραπανίσιο λάδι.
7. Επανατοποθετήστε το φίλτρο.

ΣΗΜΕΙΩΣΗ: Αντικαταστήστε το φίλτρο στην περίπτωση που ξεφτίσει, σχιστεί, καταστραφεί ή που δεν επιδέχεται καθαρισμό.

10-2 ΛΑΜΑ ΚΟΠΗΣ



ΠΡΟΣΟΧΗ: Φροντίστε να αποσυνδέσετε και να γειώσετε το καλώδιο του μπουζί πριν εκτελέσετε κάποια εργασία πάνω στη λάμα κοπής για να αποτρέψετε την τυχαία εκκίνηση του κινητήρα. Προστατέψτε τα χέρια σας χρησιμοποιώντας χοντρά γάντια ή κάποιο πανί για να πιέσετε τις λάμες κοπής. Δώστε κλίση στο χλοοκοπτικό όπως καθορίστηκε στο ξεχωριστό εγχειρίδιο του κινητήρα. Αφαιρέστε το εξάγωνο μπουλόνι και τη φλάντζα που στηρίζουν την λάμα και το προσαρμογέα της λάμας πάνω στον στροφαλοφόρο άξονα του κινητήρα. Αφαιρέστε τη λάμα και το προσαρμογέα από το στροφαλοφόρο άξονα.



ΠΡΟΕΙΔΟΠΟΙΗΣΗ: Περιοδικά να ελέγχετε τον προσαρμογέα της λάμας για ρωγμές, ειδικά εάν χτυπήσετε κάποιο ξένο αντικείμενο. Αντικαταστήστε όταν είναι απαραίτητο.

Για καλύτερα αποτελέσματα, η λάμα σας πρέπει να είναι κοφτερή. Η λάμα μπορεί να ακονιστεί ξανά αφαιρώντας την και τροχίζοντας ή λιμάροντας την άκρη κοπής,

διατηρώντας όμως όσο το δυνατόν πλησιέστερα την αρχική της κλίση. Είναι εξαιρετικά σημαντικό η κάθε αιχμή κοπής να λαμβάνει ίσο ποσό τροχίσματος για να αποφευχθεί ο σχηματισμός μιας αζυγοστάθμητης λάμας. Η αζυγοστάθμητη λάμα θα προκαλέσει υπερβολικές δονήσεις που τελικά οδηγούν στη βλάβη του κινητήρα και του χλοοκοπτικού. Φροντίστε να ζυγοσταθμίσετε την λάμα προσεκτικά μετά το ακόνισμα. Η λάμα μπορεί να ελεγχθεί για την ζυγοστάθμισή της κοιτάζοντας την ισορροπία της πάνω σε ένα κατασβίδι με στρογγυλό άξονα. Αφαιρέστε μέταλλο από τη βαριά πλευρά μέχρι να ισορροπήσει ομοιόμορφα. (Εικ. 37)

Πριν την επανασυναρμολόγηση της λάμας και του προσαρμογέα της λάμας στη συσκευή, λιπαίνετε τον στροφαλοφόρο άξονα του κινητήρα και την εσωτερική επιφάνεια του προσαρμογέα της λάμας με λεπτόρρευστο λάδι. Εγκαταστήστε τον προσαρμογέα της λάμας στο στροφαλοφόρο άξονα. Ανατρέξτε στην Εικ. 37. Τοποθετήστε τη λάμα με τον αριθμό εξαρτήματος να βλέπει μακριά από τον προσαρμογέα. Ευθυγραμμίστε τη φλάντζα πάνω στη λάμα και εισάγετε το εξάγωνο μπουλόνι. Σφίξτε το εξάγωνο μπουλόνι στη ροπή που αναφέρονται παρακάτω.

10-3 ΡΟΠΗ ΣΤΕΡΕΩΣΗΣ ΛΑΜΑΣ

Κεντρικό μπουλόνι 40 Nm - 50 Nm, για τη διασφάλιση της ασφαλούς λειτουργίας της συσκευής σας. Όλα τα παξιμάδια και τα μπουλόνια πρέπει να ελέγχονται περιοδικά για το σωστό σφίξιμο.

Μετά από παρατεταμένη χρήση, ιδιαίτερα σε αμμώδεις συνθήκες του εδάφους, η λάμα θα φθαρεί και θα χάσει κάποιο από το αρχικό της σχήμα. Η αποτελεσματικότητα της κοπής θα μειωθεί και η λάμα πρέπει να αντικατασταθεί. Αντικαταστήστε μόνο με μια εγκεκριμένη εργοστασιακή ανταλλακτική λάμα. Δεν ευθύνεται ο κατασκευαστής για πιθανές ζημιές που προκύπτουν από μια αζυγοστάθμητη λάμα.

Όταν αλλάζετε τη λάμα, πρέπει να χρησιμοποιήσετε τον αρχικό τύπο που σημειώνεται πάνω στη λάμα (MAKITA 263001451 για PLM4630/PLM4631/PLM4632, MAKITA 263002552 για PLM5130) (για παραγγελία της λάμας, παρακαλώ επικοινωνήστε με τον τοπικό αντιπρόσωπο της περιοχής σας ή καλέστε την εταιρεία μας, δείξτε το εξώφυλλο).

10-4 ΚΙΝΗΤΗΡΑΣ

Ανατρέξτε στο χωριστό εγχειρίδιο του κινητήρα για οδηγίες συντήρησης του κινητήρα. Διατηρήστε το λάδι του κινητήρα σύμφωνα με τις οδηγίες στο χωριστό εγχειρίδιο του κινητήρα που παρέχεται με τη συσκευή σας. Διαβάστε και ακολουθήστε τις οδηγίες προσεκτικά.

Υπό κανονικές συνθήκες συντηρήστε το φίλτρο αέρα σύμφωνα με το ξεχωριστό εγχειρίδιο του κινητήρα. Καθαρίστε κάθε λίγες ώρες υπό συνθήκες υψηλής σκόνης. Η κακή απόδοση του κινητήρα και το μπουκώμα του κινητήρα συνθήκες υποδηλώνει ότι το φίλτρο αέρα πρέπει να καθαριστεί.

Για το καθαρίσμα του φίλτρου αέρα, ανατρέξτε στο ξεχωριστό εγχειρίδιο του κινητήρα που παρέχετε με την συσκευή σας.

Το μπουζί πρέπει να καθαρίζεται και να επαναφέρεται το κενό μία φορά την εποχή. Συστήνεται η αντικατάσταση του μπουζί κατά την έναρξη της κάθε περιόδου κοπής

γρασιδιού, ελέγξτε το εγχειρίδιο του κινητήρα για το σωστό τύπο μπουζί και τις προδιαγραφές του κενού. Καθαρίστε τον κινητήρα τακτικά με ένα πανί ή βούρτσα. Κρατήστε το σύστημα ψύξης (χώρος στέγασης ανεμιστήρα) καθαρό για να επιτρέπεται η σωστή κυκλοφορία του αέρα που είναι απαραίτητη για την καλή απόδοση του κινητήρα και τη μεγάλη διάρκεια ζωής του. Φροντίστε να αφαιρέσετε όλο το γρασίδι, τη βρωμιά και τα καίόμενα σκουπίδια από την περιοχή του σιγαστήρα.

Μεταφορά

Απενεργοποιήστε τον κινητήρα. Φροντίστε ώστε να μην κάμψετε ή προκαλέσετε βλάβη στον κόππη κατά το σπρώξιμο του χλοοκοπτικού πάνω από εμπόδια.

11. ΟΔΗΓΙΕΣ ΑΠΟΘΗΚΕΥΣΗΣ (ΕΚΤΟΣ ΕΠΟΧΗΣ)

Τα παρακάτω βήματα θα πρέπει να ληφθούν για την προετοιμασία του χλοοκοπτικού για την αποθήκευσή του.

1. Αδειάστε την δεξαμενή μετά την τελευταία κοπή του γρασιδιού για την εποχή.
 - a) Αδειάστε την δεξαμενή βενζίνης με μια αναρροφητική αντλία.



ΠΡΟΣΟΧΗ: Μην αποστραγγίσετε τη βενζίνη σε κλειστά δωμάτια, κοντά σε γυμνές φλόγες κτλ. Μην καπνίζεταί! Οι αναθυμιάσεις της βενζίνης μπορεί να προκαλέσουν έκρηξη ή φωτιά.

- b) Ξεκινήστε τον κινητήρα και αφήστε τον να λειτουργήσει μέχρι να χρησιμοποιήσει όλη την βενζίνη και να σταματήσει.
 - c) Αφαιρέστε το μπουζί. Χρησιμοποιήστε ένα λαδωτήρι για να γεμίσετε με περίπου 20 ml λαδιού τον θάλαμο καύσης. Λειτουργήστε τον κινητήρα για να διανεμηθεί ομοιόμορφα το λάδι μέσα στον θάλαμο καύσης. Επαναποθετήστε το μπουζί.
2. Καθαρίστε και λιπάνετε προσεκτικά το χλοοκοπτικό όπως περιγράφεται παραπάνω στην ενότητα "ΟΔΗΓΙΕΣ ΛΙΠΑΝΣΗΣ".
 3. Γρασάρετε ελαφρώς τον κόππη για να αποτρέψετε τη διάβρωση.
 4. Να φυλάσσετε το χλοοκοπτικό σε ένα στεγνό, καθαρό και προστατευμένο από τον παγετό χώρο, μακριά από την πρόσβαση των μη εξουσιοδοτημένων προσώπων.



ΠΡΟΣΟΧΗ: Ο κινητήρας θα πρέπει να κρυώσει πλήρως πριν την αποθήκευση του χλοοκοπτικού.



ΣΗΜΕΙΩΣΗ:

- Κατά την αποθήκευση κάθε είδους μηχανοκίνητου εξοπλισμού σε μια αποθήκη με ανεπαρκή αερισμό ή σε χώρο αποθήκευσης υλικών.
- Πρέπει να λαμβάνεται μέριμνα για την προστασία του εξοπλισμού από τη σκουριά. Χρησιμοποιώντας ένα λεπτόρρευστο λάδι ή σιλικόνη, επικαλύψτε τη συσκευή, ιδιαίτερα τα καλώδια και όλα τα κινούμενα μέρη.
- Προσέξτε να μην κάμψετε ή τσακίσετε τα καλώδια.
- Αν αποσυνδεθεί το σχοινί της μίζας από το οδηγό σχοινί στο χερούλι, αποσυνδέστε και γειώστε το καλώδιο του μπουζί, πιέστε το χερούλι ελέγχου της λάμας και τραβήξτε το σχοινί εκκίνησης αργά έξω από τον κινητήρα. Βάλτε το σχοινί του εκκινήτηρα μέσα στο μπουλόνι του οδηγού σχοινού στο χερούλι.

12. ΕΠΙΛΥΣΗ ΠΡΟΒΛΗΜΑΤΩΝ

ΠΡΟΒΛΗΜΑ	ΠΙΘΑΝΗ ΑΙΤΙΑ	ΔΙΟΡΘΩΤΙΚΗ ΚΙΝΗΣΗ
Ο κινητήρας δεν ξεκινά.	Η βαλβίδα του τσοκ δεν βρίσκεται στην σωστή θέση για τις υπάρχουσες συνθήκες.	Μετακινήστε τη βαλβίδα του τσοκ στη σωστή θέση.
	Το ρεζερβουάρ καυσίμου είναι άδειο.	Γεμίστε το ρεζερβουάρ με καύσιμο: ανατρέξτε στο ΕΓΧΕΙΡΙΔΙΟ ΚΙΝΗΤΗΡΑ ΙΔΙΟΚΤΗΤΗ.
	Το φίλτρο αέρα είναι βρώμικο.	Καθαρίστε το φίλτρο αέρα: ανατρέξτε στο ΕΓΧΕΙΡΙΔΙΟ ΚΙΝΗΤΗΡΑ ΙΔΙΟΚΤΗΤΗ.
	Ξεσφιγμένο μπουζί.	Σφίξτε το μπουζί στα 25-30 Nm.
	Χαλαρό καλώδιο μπουζί ή αποσυνδεδεμένο από το μπουζί.	Τοποθετήστε το καλώδιο του μπουζί πάνω στο μπουζί.
	Εσφαλμένο διάκενο στο μπουζί.	Ρυθμίστε το διάκενο ανάμεσα στα ηλεκτρόδια μεταξύ 0,7 και 0,8 mm.
	Ελαττωματικό μπουζί.	Τοποθετήστε ένα καινούργιο με το σωστό διάκενο: ανατρέξτε στο ΕΓΧΕΙΡΙΔΙΟ ΚΙΝΗΤΗΡΑ ΙΔΙΟΚΤΗΤΗ.
	Το καρμπυρατέρ έχει μπουκώσει με καύσιμο.	Αφαιρέστε το φίλτρο αέρα και τραβήξτε το σχοινί της μίζας συνεχώς έως ότου καθαρίσει το καρμπυρατέρ μόνο του και τοποθετήστε ξανά το φίλτρο αέρα.
	Εσφαλμένο στοιχείο ανάφλεξης.	Επικοινωνήστε με τον αντιπρόσωπο του σέρβις.
Δυσκολία στην εκκίνηση του κινητήρα και απώλεια ισχύος.	Βρωμιά, νερό ή παλιό ρεζερβουάρ καυσίμου.	Αποστραγγίστε το καύσιμο και καθαρίστε το ρεζερβουάρ. Γεμίστε το ρεζερβουάρ με καθαρό και καινούργιο καύσιμο.
	Έχει βουλώσει η τρύπα εξαερισμού στην τάπα του ρεζερβουάρ καυσίμου.	Καθαρίστε ή αντικαταστήστε την τάπα του ρεζερβουάρ καυσίμου.
	Το φίλτρο αέρα είναι βρώμικο.	Καθαρίστε το φίλτρο αέρα.
Ο κινητήρας λειτουργεί ακανόνιστα.	Ελαττωματικό μπουζί.	Τοποθετήστε ένα καινούργιο με το σωστό διάκενο: ανατρέξτε στο ΕΓΧΕΙΡΙΔΙΟ ΚΙΝΗΤΗΡΑ ΙΔΙΟΚΤΗΤΗ.
	Εσφαλμένο διάκενο στο μπουζί.	Ρυθμίστε το διάκενο ανάμεσα στα ηλεκτρόδια μεταξύ 0,7 και 0,8 mm.
	Το φίλτρο αέρα είναι βρώμικο.	Καθαρίστε το φίλτρο αέρα: ανατρέξτε στο ΕΓΧΕΙΡΙΔΙΟ ΚΙΝΗΤΗΡΑ ΙΔΙΟΚΤΗΤΗ.
Ανεπαρκές ρελαντί του κινητήρα.	Το φίλτρο αέρα είναι βρώμικο.	Καθαρίστε το φίλτρο αέρα: ανατρέξτε στο ΕΓΧΕΙΡΙΔΙΟ ΚΙΝΗΤΗΡΑ ΙΔΙΟΚΤΗΤΗ.
	Μπλοκαρισμένα ανοίγματα αέρα στο κάλυμμα του κινητήρα.	Αφαιρέστε τα σκουπίδια από τα ανοίγματα.
	Μπλοκαρισμένα τα ψυκτικά πτερύγια και οι αεραγωγοί κάτω από το περίβλημα του ψυγητήρα του κινητήρα.	Αφαιρέστε τα σκουπίδια από τα ψυκτικά πτερύγια και από τους αεραγωγούς.
Ο κινητήρας λειτουργεί ελαττωματικά στις υψηλές στροφές.	Το διάκενο μεταξύ των ηλεκτροδίων του μπουζί είναι πολύ μικρό.	Ρυθμίστε το διάκενο ανάμεσα στα ηλεκτρόδια μεταξύ 0,7 και 0,8 mm.
Ο κινητήρας υπερθερμαίνεται.	Εμποδίζεται η ροή του ψυκτικού αέρα.	Αφαιρέστε τα οποιαδήποτε σκουπίδια από ανοίγματα στο κάλυμμα, στο περίβλημα του ψυγητήρα και στους αεραγωγούς.
	Λάθος μπουζί.	Για PLM4630/PLM4631: Τοποθετήστε το μπουζί RJ19LMC και τα ψυκτικά πτερύγια στον κινητήρα. Για PLM4632/PLM5130: Τοποθετήστε το μπουζί QC12YC και τα ψυκτικά πτερύγια στον κινητήρα.
Το χλοοκοπτικό δονείται αφύσικα.	Ξεσφιγμένο το σύστημα κοπής.	Σφίξτε τη λάμα.
	Το σύστημα κοπής είναι αζυγοστάθμητο.	Ζυγοσταθμίστε τη λάμα.

13. ΠΕΡΙΒΑΛΛΟΝ

Σε περίπτωση που υπάρχει ανάγκη αντικατάστασης του χλοοκοπτικού σας μετά από εκτεταμένη χρήση, μην το απορρίψετε με τα οικιακά απορρίμματα, αλλά απορρίψτε το με τρόπο ασφαλή για το περιβάλλον.

Για τις ευρωπαϊκές χώρες μόνο

EK – Δήλωση συμμόρφωσης

Η Εταιρία Makita ως υπεύθυνος κατασκευαστής, δηλώνει ότι το παρακάτω μηχάνημα(-τα) της Makita:

Όνομασία μηχανήματος: Βενζινοκίνητο Χλοοκοπτικό
Αρ. Μοντέλου/Τύπος: PLM4630, PLM4631, PLM4632, PLM5130

Προδιαγραφές: Δείτε το "4. ΤΕΧΝΙΚΑ ΔΕΔΟΜΕΝΑ" αποτελούν παραγωγή σε σειρά και

Συμμορφώνονται με τις ακόλουθες Ευρωπαϊκές Οδηγίες:

2004/108/EK, 2006/42/EK,
2000/14/EK & 2005/88/EK

Και κατασκευάζονται σύμφωνα με τα παρακάτω πρότυπα ή τυποποιημένα έγγραφα:

EN 836, EN ISO 14982

Τα τεχνικά έγγραφα διατηρούνται από την:

Makita International Europe Ltd.,
Technical Department,
Michigan Drive, Tongwell,
Milton Keynes, Bucks MK15 8JD, England

Η διαδικασία εκτίμησης συμμόρφωσης που απαιτείται από την Οδηγία 2000/14/EK εκτελέστηκε σύμφωνα με το Παράρτημα VI.

Κοινοποιημένος οργανισμός:

TÜV SÜD Industrie Service GmbH
Westendstraße 199, D-80686 München
Αριθμός αναγνώρισης: 0036

Μοντέλο: PLM4630, PLM4631

Μετρημένο Επίπεδο Ηχητικής Ισχύος: 94,2 dB (A)
Εγγυημένο Επίπεδο Ηχητικής Ισχύος: 96 dB (A)

Μοντέλο: PLM4632

Μετρημένο Επίπεδο Ηχητικής Ισχύος: 94,3 dB (A)
Εγγυημένο Επίπεδο Ηχητικής Ισχύος: 96 dB (A)

Μοντέλο: PLM5130

Μετρημένο Επίπεδο Ηχητικής Ισχύος: 95,9 dB (A)
Εγγυημένο Επίπεδο Ηχητικής Ισχύος: 98 dB (A)

30. 11. 2012



Tomoyasu Kato
Διευθυντής
Makita Corporation
3-11-8, Sumiyoshi-cho,
Anjo, Aichi, 446-8502, JAPAN

Genel görünüm

1. Fren kontrol kolu
2. Üst tutma kolu
3. Kendinden tahrikli kontrol kolu
4. Jikle kolu
5. Çalıřtırma kolu
6. İp kılavuzu
7. Kilitleme mandalı
8. Alt tutma kolu
9. Çim haznesi
10. Yükseklik ayar kolu
11. Yan deřarj kanalı
12. Yan kapak
13. Gövde
14. Buji
15. Yağ kapađı
16. Yakıt kapađı
17. Kablo kelepçesi
18. Kablo sabitleme halkası
19. Hız ayar kolu
20. Malç serme aparatı
21. Seviye göstergesi
22. Cıvata
23. Pul
24. Kilitleme düğmesi
25. Kilit somunu
26. Açı ayar dişlisi
27. Düğme
28. Yağ kapađı/yağ kontrol çubuđu
29. Maks: üst sınır
30. Min: alt sınır
31. Vida



UYARI:

Kendi güvenliđiniz için lütfen bu yeni makineyi çalıřtırmaya başlamadan önce bu kılavuzu okuyun. Verilen talimatların takip edilmemesi ciddi yaralanmalara neden olabilir. Her kullanımdan önce çim biçme makinenizi tanımak için birkaç dakikanızı ayırın.



Anarım çalıřmaları sırasında, bujiyi çıkartın ve ardından onarımı kullanım kılavuzuna uygun şekilde gerçekleştirin.



Dikkat: Motor sıcaktır.

1. ÜRÜN ÜZERİNDEKİ SİMGELER



Kullanım kılavuzunu okuyun.



Başkalarının yaklaşmasına izin vermeyin.



Yaralanmamak için ellerinize ve ayaklarınıza dikkat edin.



Yakıt alev alabilir, bu nedenle ateřten uzak tutun. Makine çalıřırken, yakıt doldurmayın.



Dumanı zehirlidir; bu nedenle makineyi bina içerisinde çalıřtırmayın.



Çim biçerken, sađlıđınızı korumak için koruyucu gözlük ve kulak tıkacı kullanın.

2. GENEL GÜVENLİK KURALLARI



UYARI: Benzinli makineler kullanılırken ciddi yaralanma ve/veya makine hasarları risklerinin en aza indirilmesi için mutlaka ařađıda sıralanan talimatlar da dahil tüm temel güvenlik talimatları dikkate alınmalıdır. Makineyi kullanmaya başlamadan önce tüm talimatları okuyun ve daha sonra başvurmak üzere saklayın.



UYARI: Bu makine, çalıřma sırasında bir elektromanyetik alan meydana getirir. Bu alan da bazı kořullarda aktif veya pasif tıbbi implantlara etki edebilmektedir. Ciddi yaralanma ve ölüm riskini azaltmak için, tıbbi implantları olan kişilerin bu makineyi çalıřtırmadan önce doktorlarına ve tıbbi implant üreticilerine danıřmalarını öneriyoruz.

Eđitim

- Talimatları dikkatlice okuyun. Kontrolleri ve makinenin güvenli kullanımı hakkında bilgi sahibi olun.
- Çocukların veya bu talimatları bilmeyen kişilerin çim biçme makinesini kullanmasına izin vermeyin. Bazı ülkelerde kullanıcı yařını sınırlandıran yönetmelikler yürürlükte olabilir.
- Çim biçme makinesini kesinlikle insanların, özellikle de çocukların ve evcil hayvanların yakınında çalıřtırmayın.
- Yaralanmalar veya mal kayıplarıyla sonuçlanan kazalardan veya tehlikelerden tek başına operatörün veya kullanıcının sorumlu olacađına dikkat edin.

Hazırlık

- Çim biçerken daima sağlam ayakta ve uzun pantolonlar giyin. Makineyi kesinlikle çıplak ayakla veya ayağınızda terlik veya sandalet varken çalıştırmayın.
- Makinenin kullanılacağı alanı dikkatli bir şekilde kontrol edin ve makine tarafından fırlatılabilecek nesnelere dikkatli olun.
- UYARI- Benzin yüksek derecede tutuşabilir bir sıvıdır.
 - Yakıtı bu amaçla özel olarak tasarlanmış konteynerlerde saklayın.
 - Yalnızca açık havada yakıt doldurun ve yakıt doldururken sigara içmeyin.
 - Yakıtı motoru çalıştırmadan önce doldurun. Motor çalışırken veya motor hala sıcakken kesinlikle yakıt deposu kapağını açmayın veya yakıt doldurmuyun.
 - Etrafa benzin dökülürse, motoru çalıştırmayın, makineyi benzinin döküldüğü alandan uzak bir yere taşıyın ve benzin buharı dağılına kadar tutuşturucu kaynakları ilgili alandan uzak tutun.
 - Tüm yakıt deposu ve konteyner kapaklarını sağlam şekilde sıkın.
- Arızalı susterucuları değiştirin.
- Her kullanımdan önce mutlaka bıçakların, bıçak civatalarının ve kesici tertibatının aşınmamış ve hasarsız olduğundan emin olmak için gerekli kontrolleri gerçekleştirin. Dengeyi korumak için, aşınmış veya hasar görmüş bıçakları ve civataları değiştirin.

Çalıştırma

- Tehlikeli şekilde karbon monoksit buharı birikebileceğinden, makineyi kapalı alanlarda çalıştırmayın.
- Çim biçme makinesini yalnızca gün ışığında veya iyi bir aydınlatmayla çalıştırın.
- Mümkünse, makineyi ıslak çimlerde kullanmaktan kaçının.
- Eğimlerde mutlaka yere sağlam ve dengeli basın.
- Makineyi yürüyerek çalıştırın ve kesinlikle koşmayın.
- Tekerekli makineler ile eğimli arazide çim biçerken, eğime dik şekilde çalışın, kesinlikle aşağı veya yukarı yürüyerek çalışmayın.
- Eğimli arazide çalışma yönünüzü değiştirirken çok dikkatli olun.
- Çim biçme makinesini aşırı derecede dik eğimli arazide kullanmayın.
- Çim biçme makinesinin yönünü değiştirirken veya kendinize doğru çekerken çok dikkatli olun.
- Çim dışındaki alanlardan geçerken çim biçme makinesinin yatırılması gerekiyorsa ve çim biçme makinesinin biçilecek alana veya biçilecek alandan taşınması sırasında bıçağı (bıçakları) durdurun.
- Muhafazaları hasarlı veya emniyet cihazları, örneğin deflektörleri ve/veya çim haznelere takılı olmayan çim biçme makinelerini kesinlikle çalıştırmayın.
- Motor kontrol ayarlarını değiştirmeyin ve motoru çok yüksek devirde çalıştırmayın.
- Motoru çalıştırmadan önce tüm bıçakları ve tahrik kavramalarını çıkartın.
- Motoru, ayaklarınız bıçaktan (bıçaklardan) uygun uzaklıktayken talimatlara uygun ve dikkatli bir şekilde çalıştırın.

- Motoru çalıştırırken çim biçme makinesini yatırmayın.
- Deşarj oluşunun önünde duruyorken, motoru çalıştırmayın.
- Ellerinizi ve ayaklarınızı hareketli parçalardan uzak tutun. Deşarj açıklığına her zaman temiz tutun.
- Motor çalışırken, çim biçme makinesini kesinlikle kaldırmayın veya taşımayın.
- Motoru durdurun, buji telinin bağlantısını kesin ve tüm hareketli parçaların tamamen durduğundan emin olun ve varsa, takılı olan anahtarları çıkartın.
 - tıkanıklıkları veya oluktaki birikmeyi temizlemeye başlamadan önce,
 - çim biçme makinesini kontrol etmeye, temizlemeye veya üzerinde herhangi bir işlem yapmaya başlamadan önce,
 - yabancı bir nesneye çarpıldığına. Aşağıdaki durumlarda çim biçme makinesinde hasar olup olmadığını kontrol edin ve makineyi yeniden başlatmadan ve çalıştırmadan önce gerekli onarımları yapın:
 - çim biçme makinesi anormal derecede titreşimli çalışıyorsa (derhal kontrol edin).
- Motoru durdurun, buji telinin bağlantısını kesin ve tüm hareketli parçaların tamamen durduğundan emin olun ve varsa, takılı olan anahtarları çıkartın.
 - çim biçme makinesinin yanından ayrılacağınızda,
 - yakıt doldurmadan önce.
- Motor durdurulurken jikle ayarını düşürün ve motorda bir kesme vanası varsa çim biçme işleminden önce yakıtı kesin.

Bakım ve saklama

- Makineyi sürekli olarak güvenli ve çalışır durumda tutmak için tüm somunların, civataların ve vidaların sağlam şekilde sıkıldığından emin olun.
- Makineyi kesinlikle yakıt deposu doluyken bir bina içerisinde saklamayın, aksi takdirde yakıt buharı açık bir alevle temas ederek yangına neden olabilir.
- Kapalı bir yere koymadan önce motorun soğumasını bekleyin.
- Yangın tehlikesini düşürmek için, motordaki, susterucudaki, akü bölümündeki ve benzin deposu alanındaki çimlerle, yağrakları veya aşırı gresi temizleyin.
- Çim haznesinde aşınma veya hasar olup olmadığını sık sık kontrol edin.
- Güvenlik nedeniyle aşınmış veya hasarlı parçaları değiştirin.
- Yakıt deposunun boşaltılması gerekiyorsa, bu işlemin dışarıda yapılması gerekir.



UYARI: Hareketli bıçaklara dokunmayın.



UYARI: Yakıt doldurma işlemini iyi havalandırılan bir alanda ve motoru durdurduktan sonra gerçekleştirin.

3. PARÇALARIN TANIMI (Şekil 1, Şekil 2, Şekil 3, Şekil 4)

Şunlar dahildir

A: Buji anahtarı

4. TEKNİK BİLGİLER

Model	PLM4630	PLM4631	PLM4632	PLM5130
Motor tipi	B&S 675EX Serisi, ReadyStart	B&S 675EX Serisi, ReadyStart	B&S 750EX Serisi, ReadyStart	B&S 750EX Serisi, ReadyStart
Otomatik tahrikli	Hayır	Evet	Evet	Evet
Motor hacmi	190 cm ³	190 cm ³	161 cm ³	161 cm ³
Bıçak genişliği	460 mm	460 mm	460 mm	510 mm
Anma devri	2.800/dak	2.800/dak	2.800/dak	2.800/dak
Yakıt deposu kapasitesi	1,0 L	1,0 L	1,0 L	1,0 L
Yağ deposu kapasitesi	0,6 L	0,6 L	0,6 L	0,6 L
Çim haznesi kapasitesi	60 L	60 L	60 L	65 L
Net ağırlık	31,5 kg	34 kg	35 kg	38 kg
Yükseklik ayarı	20-75 mm, 8 kademe	20-75 mm, 8 kademe	20-75 mm, 8 kademe	20-75 mm, 8 kademe

	PLM4630	PLM4631	PLM4632	PLM5130
Operatör konumunda Garanti Edilen Ses Basıncı seviyesi (EN ISO 3744, EN ISO 4871 uyarınca)	83,5 dB (A) (K=3 dB (A))	83,5 dB (A) (K=3 dB (A))	83,9 dB (A) (K=3 dB (A))	85,7 dB (A) (K=3 dB (A))
Ölçülen Ses Gücü seviyesi	94,2 dB (A) K=1,95 dB (A)	94,2 dB (A) K=1,95 dB (A)	94,3 dB (A) K=1,80 dB (A)	95,9 dB (A) K=2,16 dB (A)
Garanti Edilen Ses Gücü seviyesi (2000/14/EC uyarınca)	96 dB (A)	96 dB (A)	96 dB (A)	98 dB (A)
Titreşim (EN ISO 20643 uyarınca)	6,58 m/s ² K=1,5 m/s ²	6,58 m/s ² K=1,5 m/s ²	7,12 m/s ² K=1,5 m/s ²	6,53 m/s ² K=1,5 m/s ²

5. MONTAJ

5-1 KATLANIR TUTMA KOLUN TAKILMASI

- Alt tutma kolunu cıvata, pul ve kilitleme düğmesi ile tutma kolu kelepçesine sabitleyin. **(Şekil 5)**
- Üst ve alt tutma kollarını bağlamak üzere iki kilitleme mandalını kaldırın. **(Şekil 6)**
- Tutma kollarını çalışma konumuna kilitlemek için kilitleme mandalına bastırarak kapatın. **(Şekil 7)**
- Kilit somununu uygun bir anahtar yardımıyla döndürerek gerilimi ayarlayın. **(Şekil 8)**
- Kabloyu kol milinin üzerine yerleştirin. Kablo kelepçesi ile alt tutma kolunun orta kısmına sabitleyin ve kablounun, tutma kolunun dışına gelecek şekilde geçirildiğinden emin olun. **(Şekil 9, Şekil 10)** Aksi takdirde, kablo, arka kapak açılırken/kapatılırken sıkışabilir.

5-2 UYGUN AÇI AYARI

- Kilitleme mandalını açılığını çekin.
- Açı ayar dişlisinin ortasında bulunan üst tutma kolunu döndürerek açığı -15° ila 15° (3 konum: -15°/0°/15°) arasındaki uygun bir kademeye **Şekil 11'**da gösterildiği şekilde ayarlayın.
- Üst ve alt tutma kollarını bağlamak üzere kilitleme mandalını kapatacak şekilde bastırın.

5-3 ÇİM HAZNESİNİN TAKILMASI VE ÇIKARTILMASI

- Hazneyi takmak için: Arka kapağı kaldırın ve çim haznesini makinenin arkasına takın. **(Şekil 12, Şekil 13, Şekil 14)**
- Hazneyi çıkartmak için: Arka kapağı kaldırın ve çim haznesini çıkartın.

5-4 ÇALIŞTIRMA KOLU

Çalıştırma kolunu motordan ip kılavuzuna doğru çekin. **(Şekil 15)**

5-5 KESME YÜKSEKLİĞİ

Kolu, yukarı doğru çekerek dişi parçadan ayırın. Yüksekliği ayarlamak için kolu ileriye veya geriye çekin. **(Bkz. Şekil 16 ve Madde 7-9)**

6. ÇALIŞMA

Bu çim biçme makineleri, çeşitli aparatlar takılarak farklı amaçlarla kullanılabilir:

Arkadan toplama çim biçme makinesi:

- Malç serme makinesi veya
- Yandan boşaltmalı çim biçme makinesi olarak kullanılabilir.

Malç serme işlemi nedir?

Malç serme işlemi yapılırken, bir çalışma aşamasında çim kesilir ve daha sonra ince ince parçalandıktan sonra doğal gübre olarak tekrar serilir.

Malç serme işlemi ile ilgili ipuçları:

- 6 cm ila 4 cm çim yüksekliğinde düzenli olarak maksimum 2 cm kesim yapın.

- Keskin bir kesme bıçağı kullanın.
- Yaş çimde kesim yapmayın.
- Maks. motor devrini ayarlayın.
- Yalnızca yürüme hızında kesim yapın.
- Malç serme aparatını, muhafazanın iç kısmını ve çim biçme bıçağını düzenli olarak temizleyin.

Çalışmaya Başlama

6-1 Malç serme makinesine dönüştürme



UYARI: Bu işlemleri yalnızca motor ve kesici durduktan sonra gerçekleştirin.

1. Arka kapağı kaldırın ve çim haznesini çıkartın.
2. Malç serme aparatını gövdeye yerleştirin. Malç serme aparatını gövde üzerindeki delikte bulunan düğmeye basarak kilitleyin. (Şekil 17, Şekil 18)
3. Arka kapağı geri yerine takın. (Şekil 19)
4. Yan kapağı kaldırın ve yan deşarj kanalını sökün.

6-2 Yandan boşaltmalı çim biçme makinesi için sıfırlama



Çalışmalar yalnızca motor ve kesici durduktan sonra gerçekleştirilmelidir!

1. Arka kapağı kaldırın ve çim haznesini çıkartın.
2. Malç serme aparatını takın.
3. Yandan boşaltma için yan kapağı kaldırın. (Şekil 20)
4. Yandan boşaltma için yan deşarj kolunu yan kapak üzerindeki destek pimine yerleştirin. (Şekil 21)
5. Yan kapağı, yan deşarj kanalı üzerine indirin. (Şekil 22)

6-3 Çim haznesiyle çim biçme



Bu işlemleri yalnızca motor ve kesici durduktan sonra gerçekleştirin.

Çim haznesiyle çim biçmek için, malç serme aparatını ve yandan boşaltma deşarj kanalını sökün ve çim haznesini takın.

1. Malç serme aparatının sökülmesi.
 - Arka kapağı çıkartın ve malç serme aparatını sökün.
2. Yandan boşaltma için yan deşarj kanalının sökülmesi.
 - Yan kapağı kaldırın ve yan deşarj kanalını sökün.
 - Yan kapak, yay kuvvetiyle otomatik olarak gövdedeki deşarj açıklığını kapatacaktır.
 - Yan kapak ve deşarj açıklığı üzerindeki çim ve yabancı maddeleri düzenli olarak temizleyin.
3. Çim haznesini takın.
 - Takmak için: Arka kapağı kaldırın ve çim haznesini makinenin arkasına takın.
 - Çıkartmak için: Arka kapağı kaldırın ve çim haznesini çıkartın.

7. ÇALIŞTIRMA TALİMATLARI

7-1 BAŞLAMADAN ÖNCE

Çim biçme makinenize takılı olan motorun ayrı verilen kılavuzundaki talimatları takip ederek motora benzin ve

yağ koyun. Talimatları dikkatlice okuyun. (Şekil 23, Şekil 24, Şekil 25, Şekil 26)



UYARI: Benzin yüksek derecede tutuşabilir bir sıvıdır.

Yakıtı bu amaçla özel olarak tasarlanmış konteynerlerde saklayın.

Yalnızca açık havada ve motoru başlatmadan önce yakıtı doldurun ve yakıtı doldururken sigara içmeyin.

Motor çalışırken veya motor hala sıcakken kesinlikle yakıt deposu kapağını açmayın veya yakıtı doldurmayın. Etrafa benzin dökülürse, motoru çalıştırmayın, makineyi benzinin döküldüğü alandan uzak bir yere taşıyın ve benzin buharı dağılına kadar tutuşturucu kaynakları ilgili alandan uzak tutun.

Tüm yakıt deposu ve konteyner kapaklarını sağlam şekilde sıkın.

Bıçakta bakım yapmak veya yağı boşaltmak için çim biçme makinesini yatırmadan önce, depodaki benzini boşaltın.



UYARI: Yakıt deposunu kesinlikle bina içinde, makine çalışırken doldurmayın ve motor durduktan sonra en az 15 dakika motorun soğumasını bekleyin.

7-2 MOTORUN ÇALIŞTIRILMASI VE BIÇAĞIN TAKILMASI

1. Ünitide bujinin ucunda bir kauçuk kapak bulunur, buji telinin ucundaki (kauçuk kapağın içindeki) metal kancanın bujideki metal uca sağlam şekilde takıldığını emin olun.
2. Soğuk bir motoru çalıştırırken, jikle kolunu “Q” konumuna getirin. Sıcak bir motoru çalıştırırken ise jikle kolunu “Q” konumuna getirin. (Şekil 27)
3. Makinenin arkasına geçtikten sonra, fren kontrol kolunu tutun ve Şekil 28’de gösterildiği gibi üst kola doğru çekin.
4. Çalıştırma kolunu Şekil 28’de gösterildiği gibi tutun ve hızlı bir şekilde yukarıya doğru çekin. Motor çalıştıktan sonra yavaş bir şekilde ip kılavuzu civatasına geri bırakın.

Motoru ve bıçağı durdurmak için fren kontrol kolunu bırakın.



Motoru ayaklarınız bıçaktan uygun uzaklıktayken talimatlara uygun ve dikkatli bir şekilde çalıştırın.



Motoru çalıştırırken çim biçme makinesini yatırmayın. Çim biçme makinesini düz ve üzerinde çim veya başka bir engel bulunmayan bir zemin üzerinde çalıştırın.



Ellerinizi ve ayaklarınızı hareketli parçalardan uzak tutun. Deşarj açıklığının önünde duruyorken, motoru çalıştırmayın.

7-3 ÇALIŞTIRMA PROSEDÜRLERİ

Çalıştırma sırasında, fren kontrol kolunu her iki elinizle sıkıca tutun.

Not: Çalıştırma sırasında, fren kontrol kolu bırakıldığında, motor duracak ve bu nedenle çim biçme işlemi de kesilecektir.

7-4 MOTORU DURDURMAK İÇİN



DİKKAT: Motor durdurulduktan sonra bıçak birkaç saniye daha dönmeye devam eder.

1. Motoru ve bıçağı durdurmak için fren kontrol kolunu bırakın. (**Şekil 29**)
2. Başında değilken, makinenin istemsiz şekilde çalışmasını önlemek için, ayrı verilen motor kılavuzunda açıklanan talimatlara göre buji telinin bağlantısını kesin ve topraklayın.

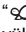

7-5 OTOMATİK HAREKET BAĞLANTISI

PLM4631 için

Kendinden tahrikli kontrol kolunu çektiğinizde, çim biçme makinesi otomatik olarak yaklaşık 3,6 km/s hızla ilerlemeye başlayacaktır (**Şekil 30**); kendinden tahrikli kolu bıraktığınızda ise çim biçme makinesi duracaktır.

PLM4632 ve PLM5130 için

Çim biçme makinesinde, 3,0 km/sa ila 4,5 km/sa arasında 3 kademede ayarlanabilen bir devir ayar sistemi mevcuttur.

“” konumu: en düşük devirli konum; “” konumu: en yüksek devirli konum. (**Şekil 31**)

Çalıştırma adımları şu şekildedir:

1. Çim biçme makinesi ileri hareketini durdurana kadar kendinden tahrikli kontrol kolunu bırakın.
2. İsteddiğiniz devir kademesini ayarlayın. (**Şekil 31**)
3. Çim biçme işlemine devam etmek için kendinden tahrikli kontrol kolunu geri çekin. (**Şekil 30**)



DİKKAT: Çim biçme makineniz, 250 mm'yi geçmeyen yüksekliklerdeki normal bahçe çimlerinin kesilmesi için tasarlanmıştır.

Normalden uzun, kuru veya yaş çimleri (örn. otlak) veya kuru yaprak yığınlarını biçmeye çalışmayın. Çim biçme makinesinin gövdesinde pislik birikebilir ve potansiyel bir yangın tehlikesi oluşturacak şekilde motor egzozuna temas edebilir.

7-6 ÇİM BİÇME İŞLEMİ SIRASINDA EN İYİ SONUÇ İÇİN

Biçilecek alandaki yabancı maddeleri temizleyin. Biçilecek alanda çim biçme makinesi tarafından fırlatılabilecek ve operatörün veya diğer kişilerin ciddi şekilde yaralanmasına ve makinenin ve çevredeki eşyaların hasar görmesine neden olabilecek taş, ağaç dalları, tel vs. gibi yabancı maddeler bulunmadığından emin olun. Yaş çimde kesim yapmayın. Çim biçme işleminin etkin şekilde uygulanması için yaş çimde kesim yapmayın, aksi takdirde yaş çim, gövdenin alt tarafına yapışarak, biçilen çimlerin uygun şekilde serilmesini engelleyebilir. Çimin uzunluğunun 1/3'ünden fazlasını kesmeyin. Çim biçme işlemi için önerilen kesim miktarı, çim uzunluğunun 1/3'üdür. Makinenin hareket hızı, kırılan çimler alana eşit

şekilde dağıtılabilecek şekilde ayarlanmalıdır. Özellikle, yoğun çimde yapılan kesim işlemlerinde, çim biçme işleminin düzgün yapılabilmesi için en düşük devirlerden birinin kullanılması gerekebilir. Uzun çimde biçme işlemi gerçekleştirilirken, alanı iki geçişte biçilebilir, ikinci kesimde bıçak uzunluğunu 1/3'ü kadar alçaltabilir ve alanı ilk kesimden farklı bir modelde biçebilirsiniz. Kesim yapılan bir önceki şeridin bir miktar üzerinden geçilmesi de yanlış serilmiş çimlerin temizlenmesine yardımcı olacaktır. Çim biçme makinesi, en iyi sonucun elde edilmesi ve çim biçme işleminin en etkin şekilde yapılması için tam açıklıkta çalıştırılmalıdır. Gövdenin alt kısmını temizleyin. Çimlerin birikmesini ve malç serme işleminin uygun şekilde yapılmasını engellemesi için, her kullanımdan sonra kesme gövdesinin alt kısmının temizlendiğinden emin olun. Yaprakların biçilmesi. Yaprakların biçilmesi de çimlerin için yararlı olabilir. Yaprakları biçerken, yaprakların kuru olmasına ve toprakta çok kalın bir tabaka halinde bulunmamasına dikkat edin. Çim biçme işlemine başlamadan önce, ağaçlardaki tüm yaprakların dökülmesini beklemeyin.



UYARI: Yabancı bir maddeye çarptığınızda, motoru durdurun. Buji telini çıkartın, çim biçme makinesinde herhangi bir hasar olup olmadığını dikkatlice kontrol edin ve makineyi yeniden çalıştırmadan önce tespit edilen hasarları onarın. Çalışma sırasında makinenin aşırı titreşimli çalışması hasar olduğunun bir göstergesidir. Bu durumda, makine derhal kontrol edilmeli ve onarılmalıdır.

7-7 ÇİM HAZNESİ

Çim haznesinin üst tarafında, haznenin boş mu, dolu mu olduğunu gösteren bir seviye göstergesi mevcuttur (**Şekil 32, Şekil 33**):

- Seviye göstergesi, çim biçme işlemi sırasında haznenin dolu olup olmadığını gösterir. (**Şekil 33**)
- Hazne dolu ise, gösterge söner; bu durumda çim biçme işlemi derhal durdurun, çim haznesini boşaltın ve haznenin temiz olduğundan ve boşluklarının havalandırıldığından emin olun. (**Şekil 32**)

ÖNEMLİ

Gösterge açıklığının bulunduğu konum çok kirliyse, gösterge şişmez; bu durumda, gösterge açıklığının bulunduğu konumu derhal temizleyin.

7-8 GÖVDE

Kırılan çimlerin, yaprakların, pisliklerin ve diğer yabancı maddelerin birikmesini önlenmesi için, çim biçme makinesinin gövdesinin alt tarafı her kullanımdan sonra temizlenmelidir. Yabancı maddelerin bu şekilde birikmesini izin verilirse, paslanma ve korozyon oluşabilir ve malç serme işlemi doğru şekilde uygulanamayabilir. Gövde, çim biçme makinesi eğilerek ve uygun bir aletle fırçalanarak temizlenebilir (buji telinin bağlantısının kesildiğinden emin olun).

7-9 YÜKSEKLİK AYAR TALİMATLARI



DİKKAT: Motoru durdurmadan ve buji telinin bağlantısını kesmeden kesinlikle çim biçme makinesinde herhangi bir ayar yapmayın.



DİKKAT: Çim biçme yüksekliğini değiştirmeden önce, çim biçme makinesini durdurun ve buji telinin bağlantısını kesin.

Çim biçme makinesinde 8 farklı yükseklik kademesine sahip olan bir merkezi yükseklik ayar kolu mevcuttur. Yükseklik (bıçakla zemin arasındaki mesafe) 20 mm ila 75 mm arasında (8 yükseklik kademesinde) ayarlanabilir. **(Şekil 34)**

En alçak ayar: 20 mm (konum 1), en yüksek ayar: 75 mm (konum 8).

1. Çim biçme yüksekliğini değiştirmeden önce çim biçme makinesini durdurun ve buji telinin bağlantısını kesin.
2. Merkezi yükseklik ayar kolu 8 farklı yükseklik kademesinin ayarlanmasına izin verir. **(Şekil 34)**

Kesim yüksekliğini değiştirmek için, ayar kolunu tekere doğru sıkıştırın ve istediğiniz yüksekliği ayarlamak için yukarı veya aşağı doğru hareket ettirin.

8. BAKIM TALİMATLARI

BUJİ

Mevcut bujii yalnızca orijinal yedek parçalarla değiştirin. En iyi sonucu elde etmek için, bujii her 100 saatlik kullanımda bir değiştirin.

9. YAĞLAMA TALİMATLARI



DİKKAT: SERVİS İŞLEMİNDEN ÖNCE BUJİYİ ÇIKARTIN.

1. TEKERLEKLER- Her mevsimde en az bir kere tekerleklerdeki biyalı yatakları ince bir yağla yağlayın.
2. MOTOR-Motor kılavuzunda verilen yağlama talimatlarını takip edin.

10. TEMİZLEME



DİKKAT: Motora doğrudan su tutmayın. Su, motora zarar verebilir veya yakıt sistemini kirletebilir.

1. Gövdeyi kuru bir bezle silin.
2. Buji üstte kalacak şekilde çim biçme makinesini eğdikten sonra gövdenin altına su tutun.

10-1 MOTOR HAVA TEMİZLEYİCİ



DİKKAT: Kir ve tozun hava filtresinin köpük elemanını tıkamasına izin vermeyin. Motor hava temizleyici bileşeni mutlaka her 25 saatlik normal çalıştırmadan sonra servise alınmalıdır (temizlenmelidir). Çim biçme makinesi kuru ve tozlu koşullarda kullanılıyorsa, köpük eleman düzenli olarak servise alınmalıdır.

HAVA FİLTRESİNİ TEMİZLEMEK İÇİN

1. Vidayı sökün. **(Şekil 35, PLM4632 ve PLM5130 için)**
2. Kilitleme mandalını çıkartın. **(Şekil 36, PLM4630 ve PLM4631 için)**
3. Filtre kapağını çıkartın.
4. Filtre elemanını sabunlu suyla yıkayın. **BENZİN KULLANMAYIN!**
5. Filtre elemanını havayla kurutun.

6. Köpük filtreye birkaç damla SAE30 yağ uygulayın ve fazla yağın atılması için filtreyi hafifçe sıkın.
7. Filtreyi geri takın.

NOT: Yıpranmış, aşınmış, hasar görmüşse veya temizlenemiyorsa filtreyi değiştirin.

10-2 KESME BİÇAĞI



DİKKAT: Motorun istem dışı çalışmasını önlemek için, kesme bıçağı üzerinde herhangi bir çalışma yapmadan önce buji telinin bağlantısının kesildiğinden ve topraklandığından emin olun. Kesme bıçaklarını ağır hizmet tipi eldivenler veya kalın bir bezle tutarak, ellerinizi koruyun. Çim biçme makinesini, ayrı verilen kılavuzda açıklandığı şekilde yatırın. Bıçağı ve bıçak adaptörünü motorun krank miline sabitleyen altı köşeli civatayı ve pulu sökün. Bıçağı ve adaptörü krank milinden çıkartın.



UYARI: Bıçak adaptöründe çatlak olup olmadığını düzenli olarak, özellikle de yabancı bir nesneye çarptıktan sonra kontrol edin. Gerekirse, değiştirin.

En iyi sonucu elde edilmesi için bıçak daima keskin olmalıdır. Bıçak, çıkartılabilir ve orijinal eğime mümkün olduğunca sadık kalınarak kesici kenarı taşlanarak veya bilenerek keskinleştirilebilir. Bıçak dengesinin bozulmaması için, her bir kesici kenarın eşit miktarda taşlanması veya bilenmesi oldukça önemlidir. Bıçağın dengesiz olması, aşırı titreşime ve neticesinde motorun ve çim biçme makinesinin bozulmasına veya hasar görmesine neden olabilir. Bileme işleminden sonra bıçağın dikkatli şekilde dengelendiğinden emin olun. Yuvarlak bir tornavidaya takılarak bıçağın dengede olup olmadığı kontrol edilebilir. Uygun şekilde dengelenene kadar ağır taraftaki metali bileyin. **(Şekil 37)** Bıçağı ve bıçak adaptörünü makineye geri takmadan önce, motorun krank milini ve bıçak adaptörünün iç yüzeyini ince bir yağla yağlayın. Bıçak adaptörünü krank miline takın. Bkz. **Şekil 37.** Bıçağı, parça numarası adaptörden uzağa bakacak şekilde yerleştirin. Pulu, bıçakla hizalayın ve altı köşeli civatayı takın. Altı köşeli civatayı aşağıda verilen tork değerine kadar sıkın.

10-3 BİÇAK MONTAJ TORKU

Ünitenin güvenli çalışmasını garanti etmek için civatayı 40 Nm - 50 Nm tork kuvveti uygulayarak ortalayın. Tüm somunların ve civataların doğru sıklıkta olup olmadığını düzenli olarak kontrol edilmesi gerekir.

Makine uzun bir süre, özellikle de kumlu toprak koşullarında kullanılması halinde, bıçak aşınır ve orijinal şeklini bir miktar kaybeder. Bu durumda, kesim performansı düşeceğinden, bıçağın değiştirilmesi gerekir. Bıçağı yalnızca fabrika tarafından onaylanmış bir bıçakla değiştirin. Bıçağın dengesiz olmasından kaynaklanabilecek hasarlardan dolayı üretici sorumlu tutulamayacaktır.

Bıçağı değiştirirken, mutlaka bıçak üzerinde belirtilen orijinal bıçak tipi (PLM4630/PLM4631/PLM4632 için MAKITA 263001451 ve PLM5130 için MAKITA 263002552) kullanılmalıdır (bıçak siparişi için, mutlaka dağıtıcınıza danışın veya şirketimizi arayın, kapak sayfasına bakın).

10-4 MOTOR

Motorun bakım talimatları için ayrı verilen motor kılavuzuna bakın.

Motor yağını makinenizle birlikte verilen motor kılavuzunda belirtildiği şekilde doldurun ve yenileyin.

Talimatları dikkatli bir şekilde okuyun ve uygulayın.

Hava temizleyiciyi ayrı verilen motor kılavuzuna uygun olarak normal koşullarda servise alın.

Çok tozlu koşullarda hava temizleyiciyi her birkaç saatte bir temizleyin. Motor performansının düşük olması ve motorun tıkanması genellikle hava temizleyicinin servise alınması gerektiğini gösterir.

Hava temizleyiciyi servise almak için, makinenizle birlikte verilen ayrı motor kılavuzuna bakın.

Her mevsimde buji temizlenmeli ve boşluk sıfırlanmalıdır.

Her çim biçme sezonundan önce bujinin değiştirilmesi önerilir. Doğru buji tipi ve boşluk değerleri için motor kılavuzuna bakın.

Motoru bir bez parçası veya fırça ile düzenli olarak temizleyin. Motor performansı ve ömrü için oldukça önemli olan, uygun hava devridaimini sağlamak için soğutma sistemini (üfleme muhafaza alanının) daima temiz tutun. Susturucu alanındaki tüm çimin, kirlerin ve tutuşabilir pisliklerin temizlendiğinden emin olun.

11. DEPOLAMA TALİMATLARI (SEZON DIŞI)

Çim biçme makinesinin depoya kaldırılması için aşağıdaki hazırlık adımlarının takip edilmesi gerekir.

1. Sezonun son çim biçme işlemini tamamladıktan sonra depoyu boşaltın.
 - a) Benzin deposunu bir emme pompası yardımıyla boşaltın.



DİKKAT: Benzin boşaltma işlemini kapalı odalarda, açık alev yakın yerlerde vs. gerçekleştirmeyin. Çalışma sırasında sigara içilmesine izin vermeyin! Benzin buharları patlamaya veya yangına neden olabilir.

- b) Motoru çalıştırın ve kalan tüm benzin tükenene ve motor kendiliğinden durana kadar çalışmasına izin verin.
 - c) Bujiyi çıkartın. Bir yağdanlık kullanarak yanma hücrelerine yaklaşık 20 ml yağ doldurun. Yağı yanma hücrelerinin tamamına eşit şekilde dağıtmak için çalıştırma ipini çekin. Bujiyi değiştirin.
2. Yukarıda "YAĞLAMA TALİMATLARI" bölümünde açıklandığı gibi çim biçme makinesini dikkatli bir şekilde temizleyin ve yağlayın.
 3. Korozyonu önlemek için kesiciyi hafifçe yağlayın.
 4. Çim biçme makinesini kuru, temiz ve donmayacak ve makineyi kullanmaya yetkili olmayan kişilerin erişemeyeceği bir yerde saklayın.



DİKKAT: Çim biçme makinesi depoya kaldırılmadan önce motor mutlaka tamamen soğumalıdır.



NOT:

- Herhangi bir motorlu makine havalandırılmayan bir alanda veya malzeme deposunda muhafaza edilecekse.

- Makinenin paslanmaya karşı korunması gerekir. Makineyi, özellikle de kablolarını ve hareketli tüm parçalarını ince bir yağ veya silikon yağlayın.
- Kabloların bükülmemesi veya dolaşmamasına dikkat edin.
- Çalıştırma ipinin koldaki ip kılavuzundan çıkması halinde, buji telinin bağlantısını kesin ve topraklayın, bıçak kontrol koluna bastırın ve çalıştırma ipini motordan yavaşça çekin. Çalıştırma ipini koldaki ip kılavuz civatasına geri takın.

Taşıma

Motoru kapalı konuma getirin. Çim biçme makinesini engeller üzerinden geçirirken kesicinin eğilmeyeceğinden veya hasar görmeyeceğinden emin olun.

12. SORUN GİDERME

SORUN	OLASI NEDENİ	DÜZELTİCİ İŞLEM
Motor çalışmıyor.	Mevcut koşullar için jikle kolu doğru konumda değildir.	Jikle kolunu doğru konuma getirin.
	Yakıt deposu boştur.	Yakıt deposunu doldurun: bkz. MOTOR KULLANMA KILAVUZU.
	Hava temizleyici elemanı kirlidir.	Hava temizleyici elemanını temizleyin: bkz. MOTOR KULLANMA KILAVUZU.
	Buji gevşektir.	Bujiyi 25-30 Nm değerine kadar sıkın.
	Buji teli gevşektir veya bujiden çıkmıştır.	Buji telini bujiye geri takın.
	Buji boşluğu yanlışır.	Boşluğu elektrotlar arasında 0,7 ila 0,8 mm boşluk olacak şekilde ayarlayın.
	Buji hasarlıdır.	Yeni bir buji takın ve buji boşluğunu doğru şekilde ayarlayın: bkz. MOTOR KULLANMA KILAVUZU.
	Karbüratör yakıtla dolmuştur.	Hava temizleyici elemanını sökün, çalıştırma ipini karbüratör kendini temizleyinceye kadar art arda çekin ve ardından hava temizleyici elemanını geri takın.
	Ateşleme modülü arızalıdır.	Servis merkezine danışın.
Motor zor çalışıyor veya güç kaybediyor.	Yakıt deposunda kir, su veya uygun olmayan benzin vardır.	Depoyu boşaltın ve temizleyin. Depoyu temiz ve yeni yakıtla doldurun.
	Yakıt deposu kapağındaki havalandırma deliği tıkalıdır.	Yakıt deposu kapağını temizleyin veya değiştirin.
	Hava temizleyici elemanı kirlidir.	Hava temizleyici elemanını temizleyin.
Motor düzensiz şekilde çalışıyor.	Buji hasarlıdır.	Yeni bir buji takın ve buji boşluğunu doğru şekilde ayarlayın: bkz. MOTOR KULLANMA KILAVUZU.
	Buji boşluğu yanlışır.	Boşluğu elektrotlar arasında 0,7 ila 0,8 mm boşluk olacak şekilde ayarlayın.
	Hava temizleyici elemanı kirlidir.	Hava temizleyici elemanını temizleyin: bkz. MOTOR KULLANMA KILAVUZU.
Motor rölantide yanlış çalışıyor.	Hava temizleyici elemanı kirlidir.	Hava temizleyici elemanını temizleyin: bkz. MOTOR KULLANMA KILAVUZU.
	Motor kapağındaki hava delikleri tıkalıdır.	Deliklerdeki pislikleri temizleyin.
	Soğutma kanatları ve motor fanının altındaki hava geçişleri tıkalıdır.	Soğutma kanatlarındaki ve hava geçişlerindeki pisliği temizleyin.
Motor yüksek devirde doğru çalışmıyor.	Buji elektrotları arasındaki boşluk çok azdır.	Boşluğu elektrotlar arasında 0,7 ila 0,8 mm boşluk olacak şekilde ayarlayın.
Motor aşırı ısınıyor.	Soğutma havası debisi yetersizdir.	Motor kapağındaki, fan muhafazasındaki ve hava geçişlerindeki deliklerdeki pislikleri temizleyin.
	Buji hatalıdır.	PLM4630/PLM4631 için: Motora RJ19LMC buji ve soğutma kanatları takın. PLM4632/PLM5130 için: Motora QC12YC buji ve soğutma kanatları takın.
Çim biçme makinesi aşırı derecede titreşimli çalışıyor.	Kesme tertibatı gevşektir.	Bıçağı sıkın.
	Kesme tertibatı dengesizdir.	Bıçağı dengeleyin.

13. ÇEVRE

Uzun süre kullanıldıktan sonra makinenin değiştirilmesi gerekirse, makineyi normal ev çöpüyle birlikte atmayın, çevreye zarar vermeyecek bir şekilde bertaraf edin.

Yalnızca Avrupa ülkeleri için

AT Uygunluk Beyanı

Makita Corporation, sorumlu üretici firma olarak, Makita marka makine/makineler ile ilgili şu hususları beyan eder:

Makinenin Adı: Benzinli Çim Biçme Makinesi
Model Numarası/Tipi: PLM4630, PLM4631, PLM4632, PLM5130

Teknik Özellikler: Bkz. "4. TEKNİK BİLGİLER"; seri üretimdir ve

Ŗu Avrupa Yönergelerine uygundur:

2004/108/EC, 2006/42/EC,

2000/14/EC ve 2005/88/EC

Ve Ŗu standartlara veya standartlaŖtırılmıŖ belgelere uygun olarak üretilmiŖtir:

EN 836, EN ISO 14982

Teknik dokümanlar Ŗu firma tarafından saklanmaktadır:

Makita International Europe Ltd.,

Technical Department,

Michigan Drive, Tongwell,

Milton Keynes, Bucks MK15 8JD, İngiltere

2000/14/EC sayılı Direktif uyarınca istenen uygunluk deęerlendirme prosedürü, Ek VI'ya uygundur.

Onaylayan Kurum:

TÜV SÜD Industrie Service GmbH

Westendstraße 199, D-80686 München

Tanım Numarası: 0036

Model: PLM4630, PLM4631

Ölçülen Ses Gücü düzeyi: 94,2 dB (A)

Garanti Edilen Ses Gücü düzeyi: 96 dB (A)

Model: PLM4632

Ölçülen Ses Gücü düzeyi: 94,3 dB (A)

Garanti Edilen Ses Gücü düzeyi: 96 dB (A)

Model: PLM5130

Ölçülen Ses Gücü düzeyi: 95,9 dB (A)

Garanti Edilen Ses Gücü düzeyi: 98 dB (A)

30. 11. 2012



Tomoyasu Kato

Müdür

Makita Corporation

3-11-8, Sumiyoshi-cho,

Anjo, Aichi, 446-8502, JAPAN

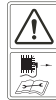
Förklaring till översikt bilderna

- | | | |
|--|----------------------------------|--------------------------------|
| 1. Bromshandtag | 11. Sidoutrast | 22. Bult |
| 2. Handtagets övre del | 12. Sidolucka | 23. Bricka |
| 3. Kontrollhandtag för självgående drift | 13. Klippdäck | 24. Låsraff |
| 4. Chokereglage | 14. Tändstift | 25. Låsmutter |
| 5. Starthandtag | 15. Oljelock | 26. Vinkelinställningskoppling |
| 6. Styrning för startsnöre | 16. Tanklock | 27. Knapp |
| 7. Låsspak | 17. Kabelklämma | 28. Oljelock/oljesticka |
| 8. Handtagets nedre del | 18. Fästning för kabel | 29. Max: övre gräns |
| 9. Gräsuppsamlare | 19. Spak för hastighetsreglering | 30. Min: undre gräns |
| 10. Höjdinställningsspak | 20. Bioklippningskil | 31. Skruv |
| | 21. Nivåindikator | |



VARNING:

Var god och läs igenom bruksanvisningen för din egen säkerhet innan du använder din nya maskin. I annat fall kan det leda till allvarig personskada. Ägna dig en stund åt att lära dig hur gräsklipparen fungerar före varje användning.



Vid reparation ska du ta bort tändstiftet och därefter reparera maskinen i enlighet med bruksanvisningen.



Försiktighet: Het motor.

1. SYMBOLER MÄRKTA PÅ PRODUKTEN



Läs igenom bruksanvisningen.



Håll åskådare borta.



Var mer uppmärksam på dina händer och fötter för att undvika olyckor.



Bränsle är lättantändligt, håll det borta från öppen eld. Tanka inte med motorn igång.



Giftiga avgaser. Kör inte motorn inomhus.



Vid klippning, bär skyddsglasögon och öronproppar för att skydda dig själv.

2. ALLMÄNNA SÄKERHETSANVISNINGAR



VARNING: Vid användning av bensindrivna maskiner ska alltid grundläggande säkerhetsföreskrifter, inklusive följande, efterlevas för att minska risken för allvarig personskada och/eller skada på maskinen. Läs igenom alla dessa anvisningar innan du använder denna produkt och behåll anvisningarna för framtida bruk.



VARNING: Maskinen bildar ett elektromagnetiskt fält omkring sig under användningen. Under vissa förhållanden kan detta fält störa aktiva eller passiva medicinska implantat. För att minska risken för allvarig eller dödlig skada, rekommenderar vi personer med medicinskt implantat att konsultera sin läkare och tillverkaren av det medicinska implantatet innan de använder maskinen.

Utbildning

- Läs noggrant igenom anvisningarna. Vänj dig vid manöverkontrollerna och att använda utrustningen på rätt sätt.
- Låt aldrig gräsklipparen användas av barn eller av personer som inte känner till dessa anvisningar. Lokala bestämmelser kan ange en åldersgräns för användaren.
- Använd aldrig gräsklipparen när personer, speciellt barn, eller djur finns i närheten.
- Glöm inte att användaren är ansvarig för olyckor eller fara gentemot andra personer och deras egendom.

Förberedelse

- Bär alltid kraftiga skor och långbyxor när du klipper gräs. Använd inte utrustningen barfota eller med öppna skor.
- Kontrollera noggrant hela arbetsområdet och ta bort alla föremål som skulle kunna kastas ut från maskinen.
- **VARNING** - Bensin är mycket lättantändligt.
 - förvara bränsle i behållare som är avsedda för detta syfte.
 - tanka endast utomhus och rök inte vid tankningen.
 - tanka innan motorn startas. Ta aldrig bort tanklocket eller tanka medan motorn är igång eller när motorn är het.
 - försök inte att starta motorn om du har spillt bensin, utan rulla bort maskinen från det området och undvik att skapa någon form av antändning förrän bensinångorna dunstat.
 - sätt tillbaka alla lock på bränsletank och bränslebehållare ordentligt.
- Byt ut trasiga ljuddämpare.
- Utför alltid en visuell inspektion innan användningen för att kontrollera att knivar, knivbultar och knivmonteringen inte är utnötta eller skadade. Ersätt samtliga utnötta eller skadade knivar och bultar i hela satser så att balansen bibehålls.

Drift

- Kör inte motorn i ett begränsat utrymme där farlig kolmonoxid kan ansamlas.
- Klipp endast i dagsljus eller i god belysning.
- Undvik om det är möjligt att använda utrustningen i vått gräs.
- Se alltid till att ha bra fötåste på sluttningar.
- Gå, spring aldrig.
- För hjulförsedda roterande maskiner: klipp tvärs över sluttande terräng, aldrig upp och ner.
- Var särskilt försiktig vid byte av riktning i sluttande terräng.
- Klipp inte för mycket på branta ytor.
- Var särskilt försiktig när du vänder eller drar gräsklipparen emot dig.
- Stoppa kniven/knivarna om gräsklipparen måste lutas för att transporteras över gräsfria ytor och när gräsklipparen transporteras till och från ytan där gräset ska klippas.
- Använd aldrig gräsklipparen med trasiga skyddsanordningar eller utan säkerhetsutrustning som t ex stenskydd och/eller gräsupsamlare.
- Ändra inte inställningen av motorns varvtalsregulator eller övervarva motorn.
- Frikoppla alla kniv- och drivkopplingar innan du startar motorn.
- Starta motorn omsorgsfullt enligt anvisningarna och med fötterna på avstånd från kniven/knivarna.
- Luta inte gräsklipparen när du startar motorn.
- Starta inte motorn när du står framför gräsutkastningsöppningen.
- Placera inte händer och fötter i närheten eller under roterande delar. Stå alltid på avstånd från utkastöppningen.
- Lyft aldrig upp eller bär gräsklipparen med motorn igång.

- Stanna motorn och lossa tändkabeln, kontrollera att alla rörliga delar har stannat helt och ta bort tändningsnyckeln där det finns en:
 - innan du tar bort något som fastnat eller rensar gräsutkastöppningen.
 - innan gräsklipparen kontrolleras, rengörs eller något arbete utförs på den.
 - när du har kört på ett främmande föremål. Kontrollera gräsklipparen om det uppstått skador och utför reparationer innan maskinen startas och används på nytt.
 - om gräsklipparen börjar vibrera på ett onormalt sätt (kontrollera omedelbart).
- Stanna motorn och lossa tändkabeln, kontrollera att alla rörliga delar har stannat helt och ta bort tändningsnyckeln där det finns en:
 - när du lämnar gräsklipparen utan uppsikt.
 - innan påfyllning.
- Minska gaspådraget när motorn ska stängas av och, om motorn är försedd med en avstängningsventil, stäng av bränsletillförseln vid slutet av klippningen.

Underhåll och förvaring

- Se till att alla muttrar, bultar och skruvar är åtdragna för att alltid bibehålla utrustningen i säkert arbetsskick.
- Förvara aldrig utrustningen med bensin i tanken i en byggnad där ångor kan komma i kontakt med öppen eld eller gnistor.
- Låt motorn svalna innan du förvarar den i ett slutet utrymme.
- För att minska brandrisken ska motorn, ljuddämparen, batterikomponenten och utrymmet där bensinen förvaras hållas fria från gräs, löv eller för mycket smörjmedel.
- Kontrollera gräsupsamlaren ofta så att den inte är utnött eller försämrad.
- Byt ut utnötta eller skadade delar för säker användning.
- Om bränsletanken måste tömmas ska det göras utomhus.



VARNING: Rör inte roterande kniv.



VARNING: Tanka i ett välventilerat utrymme med motorn avstängd.

3. BESKRIVNING AV DELAR (Fig. 1, Fig. 2, Fig. 3, Fig. 4)

Inkluderar

A: Tändstiftsnyckel

4. TEKNISKA DATA

Modell	PLM4630	PLM4631	PLM4632	PLM5130
Motor typ	B&S 675EX-serien, ReadyStart	B&S 675EX-serien, ReadyStart	B&S 750EX-serien, ReadyStart	B&S 750EX-serien, ReadyStart
Självgående	Nej	Ja	Ja	Ja
Cylindervolym	190 cm ³	190 cm ³	161 cm ³	161 cm ³
Knivbredd	460 mm	460 mm	460 mm	510 mm
Märkhastighet	2 800/min	2 800/min	2 800/min	2 800/min
Bränsletankens volym	1,0 L	1,0 L	1,0 L	1,0 L
Oljetankvolym	0,6 L	0,6 L	0,6 L	0,6 L
Gräsuppsamlarens kapacitet	60 l	60 l	60 l	65 l
Nettovikt	31,5 kg	34 kg	35 kg	38 kg
Höjdställning	20 - 75 mm, 8 inställningar	20 - 75 mm, 8 inställningar	20 - 75 mm, 8 inställningar	20 - 75 mm, 8 inställningar

	PLM4630	PLM4631	PLM4632	PLM5130
Garanterad ljudtrycksnivå vid användarpositionen (Enligt EN ISO 3744, EN ISO 4871)	83,5 dB (A) (K=3 dB (A))	83,5 dB (A) (K=3 dB (A))	83,9 dB (A) (K=3 dB (A))	85,7 dB (A) (K=3 dB (A))
Uppmätt ljudtrycksnivå	94,2 dB (A) K=1,95 dB (A)	94,2 dB (A) K=1,95 dB (A)	94,3 dB (A) K=1,80 dB (A)	95,9 dB (A) K=2,16 dB (A)
Garanterad ljudtrycksnivå (Enligt 2000/14/EU)	96 dB (A)	96 dB (A)	96 dB (A)	98 dB (A)
Vibration (Enligt EN ISO 20643)	6,58 m/s ² K=1,5 m/s ²	6,58 m/s ² K=1,5 m/s ²	7,12 m/s ² K=1,5 m/s ²	6,53 m/s ² K=1,5 m/s ²

5. MONTERING

5-1 MONTERA DET FÄLLBARA HANDTAGET

- Sätt fast den nedre delen av handtaget på handtagsfästet med en bult, bricka och låsratt. (Fig. 5)
- Lyft de två låsspakarna för att ansluta det över och undre handtaget. (Fig. 6)
- Tryck låsspaken till låst läge för att låsa handtagen i användningsläge. (Fig. 7)
- Justera åtdragningen genom att vrida åt låsmuttern med en lämplig nyckel. (Fig. 8)
- Placera kabeln över handtagsskafet. Kläm fast den runt det nedre handtagets mitt med kabelklämman och se till att kabeln är fäst på utsidan av handtaget. (Fig. 9, Fig. 10) I annat fall kan kabeln komma i kläm vid öppning/stängning av stenskyddet.

5-2 INSTÄLLNING AV LÄMPLIG VINKEL

- Dra ut låsspaken för att frikoppla handtagen.
- Vrid det övre handtaget som är fäst i mitten på vinkelinställningskopplingen för att ställa in lämplig vinkel mellan -15° och 15° (3 lägen: -15°, 0° eller 15°) som visas i Fig. 11.
- Tryck in låsspaken till stängt läge för att koppla in det nedre och övre handtaget.

5-3 MONTERA OCH DEMONTERA GRÄSUPPSAMLAREN

- Fastsättning: Lyft stenskyddet och haka fast gräsuppsamlaren på maskinens baksida. (Fig. 12, Fig. 13, Fig. 14)
- Borttagning: Ta tag i och lyft upp stenskyddet, ta bort gräsuppsamlaren.

5-4 STARTHANDTAG

Flytta starthandtaget från motorn till styrningen för startsnöret. (Fig. 15)

5-5 KLIPPHÖJD

Tryck ut spaken för att frigöra den från stället. Flytta spaken framåt eller bakåt för att justera höjden. (Fig. 16 och se paragraf 7-9)

6. FUNKTION

Dessa gräsklippare kan ändras och få andra funktioner beroende på hur de ska användas:

Från gräsklippare med bakre uppsamling till:

- Biogräsklippare eller som
- Gräsklippare med sidoutkast.

Vad är bioklipp?

Vid bioklipp klipps gräset i ett arbetssteg. När det är finhackat går det tillbaka till gräsmattan som naturligt gödningsmedel.

Tips för bioklippning:

- regelbunden nedklippning av max. 2 cm, från 6 cm till 4 cm gräslängd.

- använd en vass skärkniv.
- klipp inte blött gräs.
- ställ in max. motorhastighet.
- flytta endast i arbetstakt.
- rengör regelbundet bioklippningskilen, insidan av kåpan och den rörliga kniven.

Att börja använda maskinen

6-1 Byte av utrustning för bioklippning



VARNING: Endast med en avstängd motor och stillastående kniv.

1. Lyft upp stenskyddet och ta bort gräsupsamlaren.
2. Tryck in bioklippningskilen i klippdäcket. Lås bioklippningskilen med knappen i öppningen på klippdäcket. (Fig. 17, Fig. 18)
3. Sänk ner stenskyddet igen. (Fig. 19)
4. Lyft upp sidoluckan och ta bort sidoutkastrännan.

6-2 Återställning för klippning med sidoutkast



Endast när motorn och kniven är stillastående!

1. Lyft upp stenskyddet och ta bort gräsupsamlaren.
2. Montera bioklippningskilen.
3. Lyft upp sidoluckan för sidoutkastet. (Fig. 20)
4. Montera sidoutkastrännan för sidoutkastet på sidoluckans stötdapp. (Fig. 21)
5. Fäll ned sidoluckan – luckan vilar på sidoutkastrännan. (Fig. 22)

6-3 Klippa med gräsupsamlaren



Endast med en avstängd motor och stillastående kniv.

För att klippa med gräsupsamlaren ska bioklippningskilen och utkastrännan för sidoutkastet tas bort, och därefter ska gräsupsamlaren monteras.

1. Borttagning av bioklippningskilen.
 - Lyft upp stenskyddet och ta bort bioklippningskilen.
2. Ta bort sidoutkastrännan för sidoutkastet.
 - Lyft upp sidoluckan och ta bort sidoutkastrännan.
 - Sidoluckan stänger automatiskt utkastöppningen på kåpan med hjälp av fjäderns kraft.
 - Rengör regelbundet sidoluckan och utkastöppningen från gräsrester och smuts som fastnat.
3. Montera gräsupsamlaren.
 - Fastsättning: Lyft stenskyddet och haka fast gräsupsamlaren på maskinens baksida.
 - Borttagning: Ta tag i och lyft upp stenskyddet, ta bort gräsupsamlaren.

7. ANVÄNDARANVISNINGAR

7-1 FÖRE START

Serva motorn med bensin och olja enligt anvisningarna i den separata bruksanvisningen för motorn som medföljer

den gräsklippare. Läs noggrant igenom anvisningarna. (Fig. 23, Fig. 24, Fig. 25, Fig. 26)



VARNING: Bensin är mycket lättantändligt. Förvara bränsle i specialbehållare som är avsedda för detta ändamål.

Tanka endast utomhus innan motorn startas och rök inte medan du tankar eller hanterar bränslet.

Ta aldrig bort tanklocket eller tanka bensin medan motorn körs eller när motorn är het.

Försök inte att starta motorn om du har spillt bensin utan rulla bort maskinen från det området och undvik att skapa någon form av antändning förrän bensinångorna dunstat. Sätt tillbaka alla lock på bränsletankar och bränslebehållare ordentligt.

Innan du lutar gräsklipparen för att utföra underhåll på kniven eller tömma ut oljan ska bränslet först tömmas ur tanken.



VARNING: Tanka aldrig inomhus, med motorn igång eller förrän motorn har svalnat i minst 15 minuter efter användning.

7-2 STARTA MOTORN OCH KOPPLA IN KNIVEN

1. Maskinen är utrustad med en gummihatt över änden på tändstiftet. Kontrollera att metallöglan på tändkabelns ände (inuti gummihatten) sitter fast ordentligt över metallspetsen på tändstiftet.
2. Ställ chokreglaget i läget "☁", vid start av kall motor.
Ställ chokreglaget i läget "☁" vid start av varm motor och vid användning. (Fig. 27)
3. Stå bakom gräsklipparen och grip tag i bromshandtaget och håll det emot det övre handtaget, så som visas i fig. 28.
4. Grip tag i starthandtaget såsom visas i fig. 28 och dra snabbt i det. För tillbaka det sakta till styrningslåset efter det att motorn startat.

Släpp bromshandtaget för att stanna motorn och kniven.



Starta motorn omsorgsfullt enligt anvisningarna och med fötterna på bra avstånd från kniven.



Luta inte gräsklipparen när motorn startas. Starta gräsklipparen på ett plant underlag, fritt från högt gräs och hinder.



Håll händer och fötter borta från roterande delar. Starta inte motorn när du står framför utkastöppningen.

7-3 ANVÄNDNINGSPROCEDURER

Håll bromshandtaget hårt med båda händerna under användning.

Obs! När bromshandtaget släpps under användningen, stannar motorn vilket stoppar gräsklipparen för drift.

7-4 STANNA MOTORN



FÖRSIKTIGHET: Kniven fortsätter att rotera i några sekunder efter det att motorn har stängts av.

1. Släpp bromshandtaget för att stanna motorn och kniven. (Fig. 29)
2. Lossa och jorda tändkabeln enligt anvisningen i den separata bruksanvisningen för motorn, för att förebygga oavsiktlig start medan utrustningen inte är under uppsikt.

7-5 ANSLUTNING FÖR AUTOMATISK FÖRFLYTTNING

För PLM4631

Ta tag i kontrollhandtaget för självgående drift, gräsklipparen kommer då att automatiskt rulla framåt i cirka 3,6 km/tim (Fig. 30). När handtaget för självgående drift släpps, stoppar gräsklipparen.

För PLM4632, PLM5130

Gräsklipparen är utrustad med ett system för hastighetsreglering som kan justera 3 hastigheter från 3,0 km/h till 4,5 km/h.

Läge "☁": det långsamma läget. Läge "☁→": det snabba läget. (Fig. 31)

Följ dessa steg:

1. Släpp kontrollhandtaget för självgående drift tills gräsklipparen inte rör sig framåt.
2. Reglera till önskad hastighet. (Fig. 31)
3. Ta tag i kontrollhandtaget för självgående drift för att fortsätta klippa. (Fig. 30)



FÖRSIKTIGHET: Din gräsklippare är konstruerad för att klippa vanligt trädgårdsgräs som inte är högre än 250 mm.

Försök inte att klippa mycket högt torrt eller blött gräs (t.ex. betesmark) eller högar av torra löv. Spillror kan byggas upp på klippdäcket eller komma i kontakt med avgasröret och skapa en möjlig brandrisk.

7-6 FÖR BÄSTA RESULTAT VID KLIPPNING

Rensa gräsmattan från skräp. Kontrollera gräsmattan så att den är fri från stenar, pinnar, kablar eller andra främmande föremål som oavsiktligt kan kastas ut av gräsklipparen i olika riktningar och orsaka användaren eller andra allvarlig skada, liksom skada på egendom och omgivande föremål. Klipp inte vått gräs. För effektiv klippning ska gräset inte klippas vått därför att det tenderar att fastna på undersidan av klippdäcket vilket förhindrar korrekt klippning av gräset. Klipp inte mer än 1/3 av grässets längd. Den rekommenderade klippningen är 1/3 av grässets längd. Hastigheten måste justeras så att det avklippa gräset fördelas jämnt över gräsmattan. För särskilt tung klippning i tjockt gräs kan det vara nödvändigt att använda en av de långsamma hastigheterna för att få en ren och bra klippning. Vid klippning av långt gräs måste du kanske klippa gräsmattan i två omgångar och sänka kniven ytterligare 1/3 för den andra klippningen, och kanske klippa i en annan riktning än första gången. Att överlappa klippningen lite varje gång hjälper också till att städa upp

spritt avklippt gräs som blivit kvar på gräsmattan.

Gräsklipparen ska alltid användas med fullt gaspådrag för att få den bästa klippningen och för att låta den göra det mest effektiva klippjobbet. Rengör undersidan av klippdäcket. Se till att rengöra undersidan av klippdäcket efter varje användning för att undvika att för mycket gräs fastnar, vilket kan förhindra korrekt bioklippning. Klippning av löv. Klippning av löv kan också vara välgörande för din gräsmatta. Vid klippning av löv är det viktigt att se till att löven är torra och inte ligger i för tjockt lager på gräsmattan. Vänta inte på att alla löven ska ha trillat av träden innan du klipper.



VARNING: Stäng av motorn om du kör på ett främmande föremål. Ta bort tändkabeln och inspektera gräsklipparen noga så att det inte uppstått några skador och reparera eventuell skada innan du startar om och använder gräsklipparen. Om gräsklipparen vibrerar onormalt under användning tyder det på skada. Maskinen ska omedelbart kontrolleras och repareras.

7-7 GRÄSUPPSAMLARE

Det finns en nivåindikator på ovansidan av gräsuppsamlaren som visar om uppsamlaren är tom eller full (Fig. 32, Fig. 33):

- Nivåindikatorn blåser upp om uppsamlaren inte är full under klippningen. (Fig. 33)
- Om uppsamlaren är full faller indikatorn ihop. När detta sker ska du omedelbart stoppa klippningen och tömma uppsamlaren, se till att den är ren och att dess galler inte är igensatt. (Fig. 32)

VIKTIGT:

Om indikatoröppningen är mycket igensatt, kommer den inte att blåsas upp. Rengör omedelbart indikatoröppningen.

7-8 KLIPPDÄCK

Undersidan av gräsklipparen ska rengöras efter varje användning för att förhindra uppbyggnad av klippt gräs, löv, smuts och annat material. Om detta skräp tillåts att ansamlas kommer det att bildas rost och anfrätningar samt förhindra korrekt bioklippning. Klippdäcket kan rengöras genom att luta gräsklipparen och skrapa rent med ett passende verktyg (kontrollera att tändkabeln inte är ansluten).

7-9 INSTRUKTIONER FÖR HÖJDINSTÄLLNING



FÖRSIKTIGHET: Utför aldrig någonsin några justeringar på gräsklipparen utan att först stänga av motorn och ta bort tändkabeln.



FÖRSIKTIGHET: Innan du ändrar klipphöjden ska motorn stängas av och tändkabeln kopplas bort.

Din gräsklippare är utrustad med en central höjdinställningsspak som erbjuder 8 höjdlägen. Höjden (från kniven till marken) kan ställas in mellan 20 och 75 mm (8 höjdlägen). (Fig. 34)

Den lägsta inställningen: 20 mm (läge 1), den högsta inställningen: 75 mm (läge 8).

1. Stanna gräsklipparen och koppla bort tändkabeln innan du ändrar klipphöjden.
2. Den centrala höjdställningsspaken erbjuder dig 8 olika höjdlägen. (Fig. 34)

För att ändra klipphöjden ska du trycka höjdställningsspaken mot hjulet och föra den upp eller ner för att välja höjd.

8. UNDERHÅLLSANVISNINGAR

TÄNDSTIFT

Använd endast originaltändstift. Byt ut tändstiftet var 100:e användningstimme för bästa resultat.

9. SMÖRJNINGSANVISNINGAR



FÖRSIKTIGHET: KOPPLA BORT TÄNDKABELN FÖRE SERVICE.

1. HJUL-Smörj kullagren i varje hjul åtminstone en gång per säsong med en tunn olja.
2. MOTOR-Följ smörjanvisningarna i motorns bruksanvisning.

10. RENGÖRING



FÖRSIKTIGHET: Spola inte motorn med vattenslang. Vatten kan skada motorn eller kontaminera bränslesystemet.

1. Torka av klippdäcket med en torr trasa.
2. Spola under klipptäcket genom att luta gräsklipparen så att tändstiftet är uppåt.

10-1 MOTORNS LUFTRENARE



FÖRSIKTIGHET: Låt inte smuts eller damm täppa igen luftfiltrets skumplast. Motorns luftrenare måste servas (rengöras) efter 25 timmars normal klippning. Skumplasten måste servas regelbundet om gräsklipparen används under torra och dammiga förhållanden.

RENGÖRING AV LUFTFILTER

1. Ta bort skruven. (Fig. 35 för PLM4632 och PLM5130)
2. Ta bort låsratten. (Fig. 36 för PLM4630 och PLM4631)
3. Ta bort filterskyddet.
4. Tvätta filtret i tvålatten. **ANVÄND INTE BENSIN!**
5. Lufttorka filtret.
6. Sätt några droppar SAE30-olja på luftfiltrets skumplast och krama ihop hårt för att ta bort överskott av olja.
7. Montera tillbaka filtret.

OBS: Byt ut filtret om det är nött, trasigt, skadat eller inte går att rengöra.

10-2 KNIVBLAD



FÖRSIKTIGHET: Se till att koppla bort och jorda tändkabeln innan du utför arbete på knivbladet för att förebygga oavsiktlig start av motorn. Skydda händer genom att använda grova handskar eller en trasa för att ta

tag i knivbladen. Luta gräsklipparen enligt anvisningarna i den separata bruksanvisningen för motorn. Ta bort sexkantsbulten och bricken som fäster kniven och knivadaptern till motorns vevaxel. Ta bort kniven och adaptern från vevaxeln.



! VARNING: Kontrollera knivadaptern då och då, så att det inte uppstått sprickor, särskilt om du slagit emot ett främmande föremål. Byt ut vid behov.

För bästa resultat ska kniven vara vass. Kniven kan slipas på nytt genom att ta bort den och antingen slipa eller fila klippeggen och bevara originalvinkeln så bra som möjligt. Det är extremt viktigt att varje klippegg slipas lika mycket för att förebygga en obalanserad kniv. Felaktig knivbalans leder till mycket vibrationer som orsakar skada på motorn och gräsklipparen. Se till att noggrant balansera kniven efter slipningen. Kniven kan balanstestas genom att balansera den på en rundskaftad skruvmejsel. Ta bort metall från den tunga sidan till den är i balans. (Fig. 37) Innan du monterar tillbaka kniven och dess adapter på enheten ska motorns vevaxel och insidan på knivadaptern smörjas med en tunn olja. Montera knivadaptern på vevaxeln. Se Fig. 37. Placera kniven med artikelnumret riktat bort från adaptern. Placera bricken rakt över hålet i kniven och sätt i sexkantsbulten. Dra åt sexkantsbulten till de vridmoment som finns i listan nedan.

10-3 VRIDMOMENT FÖR KNIVMONTERING

Mittbult 40 Nm - 50 Nm, för att säkerställa att enheten fungerar på säkert sätt. Alla muttrar och bultar måste kontrolleras med jämna mellanrum för korrekt åtdragning. Efter långvarig användning, speciellt i sandig jord, kommer kniven att slitas och förlora en del av sin ursprungliga skärpa. Klippningen kommer inte att bli lika effektiv och kniven ska bytas ut. Byt endast ut den mot en godkänt utbyteskniv. Möjliga skador som orsakats av obalanserad kniv är inte tillverkarens ansvar.

När du byter ut kniven ska du använda originaltypen som är märkt på kniven (MAKITA 263001451 för PLM4630/PLM4631/PLM4632, MAKITA 263002552 för PLM5130) (kontakta din lokala återförsäljare eller vårt företag, se omslaget, för att beställa kniven).

10-4 MOTOR

Se underhållsanvisningarna i den separata bruksanvisningen för motorn.

Underhåll motoroljan enligt anvisningarna i den separata bruksanvisningen för motorn som medföljer din maskin. Läs igenom och följ anvisningarna noggrant.

Serva luftrenaren under normala förhållanden enligt den separata bruksanvisningen för motorn.

Rengör var och varannan timme under extremt dammiga förhållanden. Dålig motorprestanda och överfyllning tyder vanligtvis på att luftrenaren ska servas.

Se den separata bruksanvisningen för motorn som medföljer din maskin för hur luftfiltret ska rengöras.

Tändstiftet ska rengöras och gnistgapet ska ställas in en gång per säsong. Utbyte av tändstift rekommenderas vid varje ny säsongstart. Kontrollera motorns bruksanvisning för korrekt tändstiftsart och anvisningar om gnistgapet. Rengör motorn regelbundet med en trasa eller borste.


Håll kylsystemet (området kring fläktuset) rent för att


tillåta ordentlig luftcirkulation, vilket är nödvändigt för motorns prestanda och liv. Var säker på att du får bort allt gräs, smuts och brännbara spillror från ljuddämparen.

11. FÖRVARINGSANVISNINGAR (AVSTÄLLNING)

Följande steg ska tas för att förbereda gräsklipparen inför förvaring.

1. Töm tanken efter sista klippningen för säsongen.
 - a) Töm bensintanken med en sugpump.
-  **FÖRSIKTIGHET:** Töm inte ut bensinen i ett stängt rum, i närheten av öppen eld etc. Rök inte! Bensinångor kan orsaka explosion eller brand.
- b) Starta motorn och låt den gå tills bensinen tar slut och motorn stannar.
- c) Ta bort tändstiftet. Använd en oljekanna och fyll på med cirka 20 ml olja i förbränningskammaren. Rör på starthandtaget för att sprida oljan jämnt fördelat i förbränningskammaren. Byt ut tändstiftet.
2. Rengör och smörj gräsklipparen noggrant enligt beskrivningen ovan under rubriken "SMÖRJNINGSANVISNINGAR".
3. Smörj kniven lätt för att undvika att den rostar.
4. Förvara gräsklipparen på en torr, ren och frostskyddad plats, utom räckhåll för obehöriga.

 **FÖRSIKTIGHET:** Motorn måste ha svalnat helt innan du ställer in gräsklipparen för förvaring.

-  **OBS:**
- Vid förvaring av alla typer av elektrisk utrustning i ett förråd som är oventilerat eller med annat material.
 - Ska utrustningen vårdas för att inte rosta. Täck utrustningen med en tunn olja eller med silikon, speciellt kablar och alla rörliga delar.
 - Var försiktig så att du inte böjer eller trasslar till kablarna.
 - Om startsnöret hamnar utanför styrningen på handtaget ska du koppla bort och jorda tändkabeln. Tryck ner kontrollhandtaget för kniven och dra sakta ut startsnöret från motorn. Låt startsnöret glida in i styrningslåset på handtaget.

Transport

Stäng av motorn. Kontrollera så att du inte böjer eller skadar kniven när du för gräsklipparen över hinder.

12. FELSÖKNING

PROBLEM	SANNOLIK ORSAK	ÅTGÄRD
Motorn startar inte.	Choken är inte i rätt läge för rådande förhållanden.	Flytta choken till rätt läge.
	Bränsletanken är tom.	Fyll tanken med bränsle: se MOTORNS BRUKSANVISNING.
	Luftrenaren är smutsig.	Rengör luftrenaren: se MOTORNS BRUKSANVISNING.
	Tändstiftet är löst.	Dra åt tändstiftet till 25-30 Nm.
	Tändkabeln är lös eller bortkopplad från pluggen.	Montera tändkabeln på tändstiftet.
	Tändstiftets gnistgap är fel.	Justera gnistgapet mellan elektroderna till mellan 0,7 och 0,8 mm.
	Trasigt tändstift.	Montera ett nytt tändstift med korrekt gnistgap: se MOTORNS BRUKSANVISNING.
	Förgasaren är övermättad med bränsle.	Ta bort luftrenaren och dra i startsnöret kontinuerligt tills förgasaren rengör sig själv och montera sedan luftrenaren.
	Felaktig tändningsmodul.	Kontakta serviceagenten.
Motorn är svårstartad eller verkar svag.	Smutsig, vattenfylld eller sliten bränsletank.	Töm ut bränslet och rengör tanken. Fyll tanken med rent och fräscht bränsle.
	Ventilationshälet i bränsletanklocket är blockerat.	Rengör eller byt ut bränsletanklocket.
	Luftrenaren är smutsig.	Rengör luftrenaren.
Motorn arbetar oregelbundet.	Trasigt tändstift.	Montera ett nytt tändstift med korrekt gnistgap: se MOTORNS BRUKSANVISNING.
	Tändstiftets gnistgap är fel.	Justera gnistgapet mellan elektroderna till mellan 0,7 och 0,8 mm.
	Luftrenaren är smutsig.	Rengör luftrenaren: se MOTORNS BRUKSANVISNING.
Motorn går dåligt på tomgång.	Luftrenaren är smutsig.	Rengör luftrenaren: se MOTORNS BRUKSANVISNING.
	Luftspringor i motorhöljet är blockerade.	Ta bort skräp från springorna.
	Kylflänsar och luftpassager under motorns fläkthus är blockerade.	Ta bort skräp från kylflänsarna och luftpassagera.
Motorn hackar vid hög hastighet.	Gapet mellan tändstiftets elektroder är för tätt.	Justera gnistgapet mellan elektroderna till mellan 0,7 och 0,8 mm.
Motorn överhettas.	Kylande luftflödet är begränsat.	Ta bort allt skräp från springorna i höljet, fläkthuset och luftpassagera.
	Felaktigt tändstift.	För PLM4630 och PLM4631: Montera RJ19LMC-tändstift och kylflänsar på motorn. För PLM4632 och PLM5130: Montera QC12YC tändstift och kylflänsar på motorn.
Gräsklipparen vibrerar onormalt.	Klippmonteringen är lös.	Dra åt kniven.
	Klippmonteringen är obalanserad.	Balansera kniven.

13. MILJÖ

Skulle du behöva byta ut din maskin efter långvarig användning får du inte slänga den i hushållssoporna utan avfallshandla den på ett miljövänligt sätt.

Gäller endast Europa

EU-deklaration om överensstämmelse

Vi Makita Corporation som ansvarig tillverkare deklarerar härmed att följande maskin(er) från Makita:

Maskinbeteckning: Bensindriven gräsklippare
Modellnr./typ: PLM4630, PLM4631, PLM4632, PLM5130
Specifikationer: Se "4. TEKNISKA DATA" ingår i serieproduktion och

uppfyller följande europeiska direktiv:

2004/108/EU, 2006/42/EU,
2000/14/EU & 2005/88/EU

Och är tillverkade enligt följande standarder eller
standarddokument:

EN 836, EN ISO 14982

Den tekniska dokumentationen förs av:

Makita International Europe Ltd.,
Technical Department,
Michigan Drive, Tongwell,
Milton Keynes, Bucks MK15 8JD, England

Konformitetsgodkännandet som krävs av direktiv 2000/
14/EU, var i överensstämmelse med bilaga VI.

Anmält organ:

TÜV SÜD Industrie Service GmbH
Westendstraße 199, D-80686 München
Identifikationsnummer: 0036

Modell: PLM4630, PLM4631

Uppmätt ljudeffektnivå: 94,2 dB (A)
Garanterad ljudeffektnivå: 96 dB (A)

Modell: PLM4632

Uppmätt ljudeffektnivå: 94,3 dB (A)
Garanterad ljudeffektnivå: 96 dB (A)

Modell: PLM5130

Uppmätt ljudeffektnivå: 95,9 dB (A)
Garanterad ljudeffektnivå: 98 dB (A)

30. 11. 2012



Tomoyasu Kato
Direktör

Makita Corporation
3-11-8, Sumiyoshi-cho,
Anjo, Aichi, 446-8502, JAPAN

Forklaring til oversikten

- | | | |
|-------------------------------------|-------------------------------|-------------------------|
| 1. Bremskontrollhåndtak | 12. Sideklaff | 23. Skive |
| 2. Øvre håndtak | 13. Deksel | 24. Sperreknapp |
| 3. Håndtak for selvkjøringskontroll | 14. Tennplugg | 25. Låsemutter |
| 4. Chokehendel | 15. Oljelokk | 26. Vinkeljusteringsgir |
| 5. Starthåndtak | 16. Drivstofflokk | 27. Knapp |
| 6. Snorføring | 17. Kabelklemme | 28. Oljelokk/peilepinne |
| 7. Låsespak | 18. Ring til festing av kabel | 29. Maks: øvre grense |
| 8. Nedre håndtak | 19. Hastighetshendel | 30. Min: nedre grense |
| 9. Gressoppsamler | 20. Komposteringskile | 31. Skruer |
| 10. Høydejusteringshendel | 21. Nivåindikator | |
| 11. Sideutløpskanal | 22. Bolt | |



ADVARSEL:

For din egen sikkerhets skyld må du lese denne bruksanvisningen før du prøver å bruke den nye enheten. Hvis ikke instruksjonene blir fulgt, kan dette føre til alvorlige personskader. Ta deg litt tid til å gjøre deg kjent med gressklipperen før bruk.



Forsiktig: Motoren er varm.

1. SYMBOLENE PÅ PRODUKTET



Les bruksanvisningen.



Hold tilskuere unna.



Vær oppmerksom på hender og føtter mens maskinen er i bruk for å unngå personskader.



Drivstoffet er brannfarlig, hold åpen ild borte. Ikke fyll på drivstoff mens motoren er i gang.



Giftige gasser: Ikke bruk maskinen innendørs.



Bruk personlig verneutstyr, som vernebriller og øreplugger, mens gresset klippes.



Ved reparasjonsarbeider, fjern tennpluggen og utfør reparasjonsarbeidet i samsvar med bruksanvisningen.

2. GENERELLE SIKKERHETSREGLER



ADVARSEL: Når du bruker bensindrevne verktøy, må du alltid følge de grunnleggende sikkerhetsanvisningene, inklusive anvisningene nedenfor. Dette vil redusere faren for alvorlige personskader og/eller skader på enheten. Les gjennom hele bruksanvisningen før du tar i bruk dette produktet, og oppbevar bruksanvisningen for fremtidig referanse.



ADVARSEL: Denne maskinen produserer et elektromagnetisk felt under drift. Dette feltet kan i enkelte tilfeller forstyrre aktive eller passive medisinske implantater. For å redusere risikoen for alvorlig eller livsfarlig personskade, anbefaler vi personer med medisinske implantater å konsultere deres lege og produsenten av det medisinske implantatet før de bruker denne maskinen.

Opplæring

- Les nøye gjennom bruksanvisningen. Gjør deg kjent med kontrollene og sett deg inn i hvordan utstyret fungerer.
- La aldri barn eller personer som ikke er kjent med denne bruksanvisningen, bruke gressklipperen. Lokale bestemmelser kan omfatte aldersgrenser for bruk av utstyret.
- Bruk aldri gressklipperen mens uvedkommende (særlig barn og kjæledyr) er til stede.
- Husk at operatøren eller brukeren er ansvarlig for ulykker eller faresituasjoner som kan oppstå for andre personer eller på deres eiendom.

Forberedelser

- Bruk alltid solid fottøy og langbukser når du bruker gressklipperen. Ikke bruk utstyret barbeint eller med åpne sandaler.

- Inspiser området hvor utstyret skal brukes grundig, og fjern alle gjenstander som kan slenges vekk av maskinen.
- **ADVARSEL** - Bensin er meget brannfarlig.
 - Oppbevar drivstoffet i beholdere som er spesielt beregnet til dette formålet.
 - Etterfyll drivstoff kun utendørs, og ikke røyk under fylling av drivstoff.
 - Fyll på drivstoff før du starter motoren. Du må aldri fjerne lokket på drivstofftanken eller fylle på bensin mens motoren er i gang eller motoren er varm.
 - Hvis det søles drivstoff, må du ikke starte motoren, men flytte maskinen bort fra det tilsølte området for å unngå å skape en tennkilde før bensindampen har forsvunnet.
 - Sett alle lokkene til drivstofftank og beholder godt på igjen.
- Erstatt defekte lydempere.
- Før bruk må du alltid inspisere maskinen for å sjekke at blader, bladbolter og skjæreverket ikke er slitt eller skadet. Erstatt hele settet av slitte eller skadde blader og bolter for å opprettholde balansen.

Drift

- Ikke start motoren på et innestengt område ettersom farlige karbonmonoksidgasser kan samle seg opp.
- Bruk gressklipperen bare i dagslys eller ved god kunstig belysning.
- Unngå å bruke gressklipperen i vått gress, der det lar seg gjøre.
- Pass på at du har godt fotfeste i skråninger.
- Gå, ikke løp.
- For roterende maskiner med hjul, klipp på tvers av skråninger, aldri oppover og nedover.
- Vær svært forsiktig under endring av retning i skråninger.
- Ikke klipp i altfor bratte skråninger.
- Vær uhyre forsiktig når du skal rygge eller trekke gressklipperen mot deg.
- Stans bladet eller bladene hvis gressklipperen må skrånstilles for transport når du må krysse andre bakkeunderlag enn gress og når du transporterer gressklipperen til og fra området hvor den skal brukes.
- Du må aldri bruke gressklipperen hvis verneleddene er defekte eller sikkerhetsinnretningene ikke er på plass, for eksempel ledeplater og/eller gressoppsamlere.
- Ikke endre innstillingene på motorens turtallsregulator, og ikke kjør motoren med for stor hastighet.
- Løsne alle inngrep for blader eller drivverk før du starter maskinen.
- Start motoren forsiktig i samsvar med instruksjonene og med føttene godt borte fra bladet eller bladene.
- Ikke skrånstill gressklipperen mens du starter motoren.
- Ikke start motoren mens du står foran utløpsrennen.
- Ikke plasser hender eller føtter nær eller under roterende deler. Hold deg hele tiden borte fra utløpsåpningen.
- Du må aldri løfte eller bære en gressklipper mens motoren er i gang.
- Stopp motoren og kople fra tennpluggledningen, påse at alle bevegelige deler har fullstendig stoppet og, dersom maskinen er utstyrt med nøkkel, fjern nøkkelen:

- før du fjerner tilstopninger eller blokkeringer i rennen,
- før du kontrollerer, rengjør eller utfører arbeid på gressklipperen,
- etter at du har truffet et fremmedlegeme. Inspiser gressklipperen for skade, og reparer før du starter og bruker gressklipperen på nytt.
- hvis gressklipperen begynner å vibrere unormalt (kontroller umiddelbart).
- Stopp motoren og kople fra tennpluggledningen, påse at alle bevegelige deler har fullstendig stoppet og, dersom maskinen er utstyrt med nøkkel, fjern nøkkelen:
 - hver gang du forlater gressklipperen,
 - før du etterfyller drivstoff.
- Reduser gassens innstilling mens motoren slås av og, hvis motoren er utstyrt med en stengeventil, steng drivstofftilførselen etter at klippingen er ferdig.

Vedlikehold og oppbevaring

- Hold alle muttere, bolter og skruer strammet for å sikre at utstyret er i god driftsmessig stand.
- Utstyret må aldri oppbevares innendørs med bensin i tanken, ettersom gasser kan nå en åpen flamme eller gnist.
- La motoren avkjøle seg før gressklipperen plasseres i et lukket rom.
- For å redusere brannfaren skal motoren, lydempere, batterirommet og bensinoppbevaringsområdet holdes fri for gress, løv eller overflødig fett.
- Sjekk gressoppsamleren ofte for slitasje eller skader.
- Erstatt slitte og skadde deler for å øke sikkerheten.
- Hvis drivstofftanken må tappes, skal dette gjøres utendørs.



ADVARSEL: Ikke berør roterende blader.



ADVARSEL: Fylling av drivstoff skal kun skje i godt ventilert område med motoren avslått.

3. BESKRIVELSE AV DELER (Fig. 1, Fig. 2, Fig. 3, Fig. 4)

Inkludert

A: Tennpluggnøkkel

4. TEKNISKE DATA

Modell	PLM4630	PLM4631	PLM4632	PLM5130
Motorstype	B&S 675EX-serien, ReadyStart	B&S 675EX-serien, ReadyStart	B&S 750EX-serien, ReadyStart	B&S 750EX-serien, ReadyStart
Selvkjørende	Nei	Ja	Ja	Ja
Motorens slagvolum	190 cm ³	190 cm ³	161 cm ³	161 cm ³
Bladbredde	460 mm	460 mm	460 mm	510 mm
Merkehastighet	2 800/min	2 800/min	2 800/min	2 800/min
Kapasitet drivstofftank	1,0 L	1,0 L	1,0 L	1,0 L
Oljetankvolum	0,6 L	0,6 L	0,6 L	0,6 L
Kapasitet på gressoppsamler	60 L	60 L	60 L	65 L
Nettovekt	31,5 kg	34 kg	35 kg	38 kg
Høydejustering	20-75 mm, 8 justeringer	20-75 mm, 8 justeringer	20-75 mm, 8 justeringer	20-75 mm, 8 justeringer

	PLM4630	PLM4631	PLM4632	PLM5130
Garantert lydtrykknivå ved brukerens plassering (I henhold til EN ISO 3744, EN ISO 4871)	83,5 dB (A) (K=3 dB (A))	83,5 dB (A) (K=3 dB (A))	83,9 dB (A) (K=3 dB (A))	85,7 dB (A) (K=3 dB (A))
Målt lydeffektivnivå	94,2 dB (A) K=1,95 dB (A)	94,2 dB (A) K=1,95 dB (A)	94,3 dB (A) K=1,80 dB (A)	95,9 dB (A) K=2,16 dB (A)
Garantert lydeffektivnivå (I henhold til 2000/14/EF)	96 dB (A)	96 dB (A)	96 dB (A)	98 dB (A)
Vibrasjoner (I henhold til EN ISO 20643)	6,58 m/s ² K=1,5 m/s ²	6,58 m/s ² K=1,5 m/s ²	7,12 m/s ² K=1,5 m/s ²	6,53 m/s ² K=1,5 m/s ²

5. MONTERING

5-1 MONTERING AV FOLDEHÅNDTAKET

1. Fest det nedre håndtaket på håndtaksfestet med bolt, skive og sperreknapp. (Fig. 5)
2. Løft de to låsespakene for å koble sammen det øvre og det nedre håndtaket. (Fig. 6)
3. Trykk låsespaken sammen for å låse håndtakene i bruksposisjon. (Fig. 7)
4. Juster spenningen ved å dreie låsemutteren med en egnet skiftenøkkel. (Fig. 8)
5. Plasser kabelen over håndtaket. Klem den rundt midten av det nedre håndtaket med kabelklemmen og pass på at kabelen er festet rundt utsiden av håndtaket. (Fig. 9, Fig. 10) Ellers kan kabelen komme i klem ved å åpne/lukke bakdekslet.

5-2 JUSTERING FOR EN PASSENDE VINKEL

- 1) Trekk i låsespakåpningen.
- 2) Drei det øvre håndtaket midt i vinkelen for justering av gir når du skal justere til riktig vinkel i området -15 ° til 15 ° (3 posisjoner: -15 °/0 °/15 °) som vist på Fig. 11.
- 3) Trykk de to låsespakene sammen for å koble sammen det øvre og det nedre håndtaket.

5-3 MONTERE OG DEMONTERE GRESSOPPSAMLEREN

1. For å feste: Løft bakdekslet og sett gressoppsamleren på baksiden av gressklipperen. (Fig. 12, Fig. 13, Fig. 14)

2. For å fjerne: Grip tak i og løft bakdekslet; fjern gressoppsamleren.

5-4 STARTHÅNDTAK

Flytt starthåndtaket fra motoren til snorføringen. (Fig. 15)

5-5 KUTTEHØYDE

Bruk utvendig trykk for å løsne spaken fra tannskiven. Flytt spaken frem eller tilbake for å justere høyden. (Fig. 16 og se klausul 7-9)

6. FUNKSJON

Disse gressklipperne kan modifiseres fra sin vanlige funksjon, avhengig av formål:

Fra gressklipper med baksamling til:

1. Komposteringsklipper eller som
2. Gressklipper med sideutslipp.

Hva er kompostering?

Under komposteringsklipping blir gresset klippet i ett arbeidstrinn, deretter oppkuttet og ført tilbake til gressplenen som naturlig gjødsel.

Tips for komposteringsklipping:

- Vanlig nedskjæring med maks 2 cm fra 6 cm til 4 cm gresshøyde.
- Bruk en skarp klippekniv.
- Ikke klipp vått gress.
- Still inn maks. motorhastighet.
- Flytt maskinen kun i arbeidstempo.
- Rengjør komposteringskile, husets innside og klippebladet.

Starte drift

6-1 Modifisering for komposteringsklipper



ADVARSEL: Kun når motoren er stoppet og skjæreverket står stille.

1. Løft bakdekslet og fjern gressoppsamleren.
2. Skyv komposteringskilen inn i dekslet. Lås komposteringskilen med knappen inn i åpningen på dekslet. (Fig. 17, Fig. 18)
3. Senk bakdekslet på nytt. (Fig. 19)
4. Løft sideklaffen og fjern sideutløpskanalen.

6-2 Tilbakestilling for sideutløpsklipping



Kun mens motoren og skjæreverket står stille!

1. Løft bakdekslet og fjern gressoppsamleren.
2. Monter komposteringskilen.
3. Løft sideklaffen for sideutløpet. (Fig. 20)
4. Monter sideutløpskanalen for sideutløpet på støttestiften på sideklaffen. (Fig. 21)
5. Senk sideklaffen – klaffen ligger på sideutløpskanalen. (Fig. 22)

6-3 Klipping med gressoppsamleren



Kun når motoren er stoppet og skjæreverket står stille.

For klipping med gressoppsamleren, fjern komposteringskilen og utløpskanalen for sideutløp og monter gressoppsamleren.

1. Fjerning av komposteringskile.
 - Løft bakdekslet og fjern komposteringskilen.
2. Fjerne sideutløpskanalen for sideutløp.
 - Løft sideklaffen og fjern sideutløpskanalen.
 - Sideklaffen stenger utløpsåpningen på huset automatisk ved hjelp av fjærkraft.
 - Rengjør sideklaffen og utløpsåpningen regelmessig for gressrester og oppsamlet smuss.
3. Monter gressoppsamleren.
 - Før å feste: Løft bakdekslet og sett gressoppsamleren på baksiden av gressklipperen.
 - Før å fjerne: Grip tak i og løft bakdekslet; fjern gressoppsamleren.

7. DRIFTSINSTRUKSER

7-1 FØR START

Vedlikehold motoren med bensin og olje som angitt i den egne bruksanvisningen som fulgte med gressklipperen. Les nøye gjennom instruksjonene. (Fig. 23, Fig. 24, Fig. 25, Fig. 26)



ADVARSEL: Bensin er meget brannfarlig. Oppbevar drivstoffet i beholdere som er spesielt beregnet til dette formålet.

Etterfyll drivstoff kun utendørs før motoren startes, og ikke røyk mens du fyller eller håndterer drivstoff.

Du må aldri fjerne lokket på drivstofftanken eller fylle på bensin mens motoren er i gang eller motoren er varm. Hvis det søles drivstoff, må du ikke starte motoren, men flytte maskinen bort fra det tilsølte området for å unngå å skape en tennkilde før bensindampen har forsvunnet. Sett alle lokene til drivstofftank og beholder godt på igjen.

Før du velter gressklipperen for å vedlikeholde bladet eller tappe olje, må drivstoffet fjernes fra tanken.



ADVARSEL: Du må aldri fylle drivstoff i tanken innendørs, mens motoren er i gang eller før motoren har fått avkjølt seg i minst 15 minutter etter drift.

7-2 STARTE MOTOREN OG KOPLE INN BLADET

1. Enheten er utstyrt med en gummihette over enden på tennpluggen. Påse at metallbøylen på enden av tennpluggledningen (inne i gummihetten) er festet sikkert over metallspissen på tennpluggen.
2. Ved kaldstart, drei chokehendelen til posisjonen "☞". Ved varmstart og drift, drei chokehendelen til posisjonen "☞☞". (Fig. 27)
3. Stå bak maskinen, grip tak i bremsekontrollhåndtaket og hold det mot det øvre håndtaket som vist i Fig. 28.
4. Grip tak i starthåndtaket som vist i Fig. 28, og trekk det raskt opp. Returner det langsomt til snorføringsbolten når motoren har startet.

Slipp bremsekontrollhåndtaket for å stoppe motoren og bladet.



Start motoren forsiktig i samsvar med instruksjonene og med føttene godt borte fra bladet.



Ikke skråstill gressklipperen mens du starter motoren. Start gressklipperen på et jevnt underlag, fritt for høyt gress eller hindringer.



Hold hendene og føttene borte fra roterende deler. Ikke start motoren mens du står foran utløpsåpningen.

7-3 DRIFTSPROSEDYRER

Hold bremsehåndtaket godt fast med begge hender under drift.

Merk: Under drift vil motoren stoppe når du slipper bremsehåndtaket, slik at gressklipperen stopper.

7-4 STOPPE MOTOREN



FORSIKTIG: Bladet fortsetter å rotere et par sekunder etter at motoren er slått av.

1. Slipp bremsekontrollhåndtaket for å stoppe motoren og bladet. (Fig. 29)
2. Kople fra og jorde tennpluggledningen som angitt i motorens separate bruksanvisning for å forhindre at

motoren kan starte ved et uhell mens den er uten tilsyn.

7-5 TILKOPLING FOR AUTOMATISK KJØRING

For PLM4631

Grip tak i det håndtaket for selvkjøringskontroll, gressklipperen vil kjøre forover automatisk i ca. 3,6 km/t (Fig. 30), slipp selvkjøringshåndtaket, og gressklipperen vil stoppe kjøringen.

For PLM4632, PLM5130

Gressklipperen er utstyrt med et system for hastighetsjustering som kan stilles til 3 hastigheter fra 3,0 km/t til 4,5 km/t. Posisjon "↶": den tregeste posisjonen; posisjon "↷": den raskeste posisjonen. (Fig. 31)

Trinnene er som følger:

1. Slipp håndtaket for selvkjøringskontroll til gressklipperen ikke går fremover.
2. Juster til den ønskede hastigheten. (Fig. 31)
3. Grip håndtaket for selvkjøringskontroll for å fortsette å klippe. (Fig. 30)



FORSIKTIG: Gressklipperen er utformet for å klippe normal hageplen med en maksimal gresshøyde på 250 mm.

Ikke forsøk å klippe gjennom uvanlig høyt, vått eller tørt gress (f.eks. beite) eller hauger med tørt løv. Det kan danne seg rester under gressklipperens deksel eller tilstoppe motorens eksosystem og forårsake brannfare.

7-6 FOR BEST MULIG RESULTAT UNDER KLIPPING

Rens plenen for hagerusk. Forsikre deg om at plenen er fri for steiner, greiner, ledninger eller andre fremmedlegemer, som kan bli slynget tilfeldig utover av gressklipperen i alle retninger og forårsake alvorlige personskader for brukeren og andre eller skader på eiendom eller gjenstander i omgivelsene. Ikke klipp vått gress. For effektiv klipping, ikke klipp vått gress, fordi det har en tendens til å feste seg på undersiden av dekselet og forhindre at gresset klippes skikkelig. Ikke klipp mer enn 1/3 av gressets lengde. Anbefalt skjærehøyde ved gressklipping er 1/3 av gressets lengde. Opphakkingshastigheten må justeres, slik at avklippet kan fordeles jevnt ned i plenen. For særlig tung klipping i tykt gress kan det være nødvendig å bruke en av de langsomste hastighetene for å få en ren, godt formet klipping. Når du klipper høyt gress, kan det hende at du må klippe plenen i to omganger og senke bladet ytterligere 1/3 av lengden for den andre klippingen og kanskje klippe i et annet mønster enn det du brukte i den første omgangen. Det er også lurt å overlape klippingen i hver omgang for å få med eventuelt spredt avskjær som ligger igjen på plenen. Gressklipperen bør alltid drives med full gass for å få det beste klipperesultatet og for at maskinen skal kunne gi full klippeeffekt. Rengjør dekselets underside. Påse at du rengjør undersiden av dekselet på gressklipperen etter hver gangs bruk for å unngå at gresset samler seg opp, for dette forhindrer skikkelig kompostering. Klippe blader og løv. Plenen din kan også ha godt av at du klipper løvet. Når du klipper løv,

må du påse at løvet er tørt og ikke ligger for tykt på plenen. Ikke vent til alle bladene har falt av trærne før du klipper dem.



ADVARSEL: Hvis du støter borti et fremmedlegeme, stopp motoren. Fjern ledningen fra tennpluggen, undersøk gressklipperen grundig for eventuelle skader, og reparer skaden før du starter og bruker gressklipperen igjen. Økt vibrasjon i gressklipperen under drift er et tegn på skade. Da må maskinen øyeblikkelig inspiseres og repareres.

7-7 GRESSOPPSAMLER

Det er en nivåindikator på gressoppsamleren som viser om den er tom eller full (Fig. 32, Fig. 33):

- Nivåindikatoren øker hvis gressoppsamleren ikke er full under klippingen. (Fig. 33)
- Når dette skjer, synker indikatoren. Stopp klippingen umiddelbart, og tøm og rengjør posen, kontroller at den er ren og sikre at nettingen er ventilert. (Fig. 32)

VIKTIG

Hvis indikatoråpningen er veldig skitten, vil indikatoren ikke utløses. I så fall, rengjør indikatoråpningen umiddelbart.

7-8 DEKSEL

Undersiden av dekselet på gressklipperen bør rengjøres etter hver gangs bruk for å forhindre at gressrester, løv, skitt eller annen materie kan samle seg opp. Hvis dette får samle seg opp, vil det føre til rust og korrosjon og kan forhindre skikkelig kompostering. For å rengjøre under dekselet, vipp gressklipperen over på siden, og skrap undersiden av dekselet rent med et passende verktøy (forsikre deg om at tennpluggledningen er koplet fra).

7-9 INSTRUKSJONER FOR HØYDEJUSTERING



FORSIKTIG: Du kan ikke på noe tidspunkt utføre justeringer på gressklipperen uten først å stoppe motoren og koble fra tennpluggkabelen.



FORSIKTIG: Før du endrer klippehøyden, stopp klipperen og koble fra tennpluggledningen.

Klipperen er utstyrt med en sentral høydejusteringshendel med 8 høydeposisjoner.

Høyden (bladet til bakken) kan justeres fra 20 mm til 75 mm (8 høydeposisjoner). (Fig. 34)

Laveste justering: 20 mm (posisjon 1), høyeste justering: 75 mm (posisjon 8).

1. Stopp gressklipperen og koble fra tennpluggledningen før du endrer gressklipperens skjærehøyde.
2. Den sentrale høydejusteringshendelen har 8 ulike høydeposisjoner. (Fig. 34)

For å endre skjærehøyden, press justeringshendelen mot hjulet og beveg den opp eller ned til ønsket høyde.

8. VEDLIKEHOLD SINSTRUKSJONER

TENNPLUGG

Bruk kun original reservedelstennplugg. For best resultat, skift ut tennpluggen etter hver 100. driftstime.

9. SMØREINSTRUKSJONER



FORSIKTIG: KOPLE FRA TENNPLUGGEN FØR VEDLIKEHOLD.

1. HJUL - Smør kulelagrene i hvert hjul med en lett olje minst en gang i sesongen.
2. MOTOR - Følg angivelsene i motorens bruksanvisning for smøring.

10. RENGJØRING



FORSIKTIG: Ikke sprut vann på motoren. Vannet kan skade motoren eller forurense drivstoffsystemet.

1. Tørk av dekelet med en tørr klut.
2. Sprut vann under dekelet når gressklipperen er skråstilt, slik at tennpluggen vender opp.

10-1 MOTORENS LUFTFILTER



FORSIKTIG: Ikke la skitt eller støv tilstoppe luftfilterets skumelement. Motorens luftfilterelement må vedlikeholdes (rengjøres) etter 25 timers normal gressklipping. Skumelementet må vedlikeholdes regelmessig hvis gressklipperen har vært brukt under tørre, støvete forhold.

RENGJØRE LUFTFILTER

1. Fjern skruen. (Fig. 35 for PLM4632 og PLM5130)
2. Fjern sperreknappen. (Fig. 36 for PLM4630 og PLM4631)
3. Fjern filterdekslet.
4. Vask filterelementet i såpevann. **IKKE BRUK BENSIN!**
5. La tørrfilterelementet lufttørke.
6. Påfør et par dråper SAE30-olje på skumfilteret, og press det godt sammen for å fjerne overflødig olje.
7. Sett filteret på plass igjen.

MERK: Skift filteret dersom det er slitt, opprevet, skadet eller ikke lar seg rengjøre.

10-2 SKJÆREBLAD



FORSIKTIG: Pass på at du kopler fra og jorder tennpluggledningen før du arbeider på skjærebladet for å unngå at motoren starter i vanvare. Beskytt hendene med kraftige hansker eller en klut når du griper tak i skjærebladene. Vipp gressklipperen over på siden som spesifisert i egen bruksanvisning for motoren. Fjern sekskantskruen og skiven som holder bladet og bladadapteren til motorens veivaksel. Fjern bladet og adapteren fra veivakselen.



ADVARSEL: Inspiser bladadapteren regelmessig for sprekker, spesielt hvis du treffer et fremmedlegeme. Skift ut hvis nødvendig.

For best resultat bør bladet være skarpt. Bladet kan skjerpes på nytt ved at du fjerner det og enten sliper eller filer skjæreeggen så nært den originale eggen som mulig. Det er uhyre viktig at hver skjæreegg slipes like mye for å hindre at bladet blir ubalansert. Uriktig bladbalanse fører til overdreven vibrasjon, som kan forårsake skade på motoren og gressklipperen. Pass godt på at du balanserer bladet etter sliping. Bladet kan testes for balanse ved å balansere det på en skrutebrett med rundt skaft. Fjern metall fra den tunge siden, til det balanserer jevnt. (Fig. 37)

Før bladet og bladadapteren monteres igjen på maskinen, smør motorens veivaksel og bladadapterens innvendige flater med en lett olje. Monter bladadapteren på veivakselen. Se Fig. 37. Plasser bladet med delenummeret vendt bort fra adapteren. Innrett skiven over bladet, og sett inn sekskantskruen. Stram sekskantskruen til det tiltrekkingsmomentet som er opplistet nedenfor.

10-3 TILTREKKINGSMOMENT FOR MONTERING AV BLAD

Senterbolt 40 Nm - 50 Nm, for å sørge for sikker drift av enheten. Alle muttere og bolter må kontrolleres regelmessig for korrekt stramming. Etter lengre tids bruk, særlig i betingelser med mye sand, blir bladet slitt og mister litt av sin opprinnelige form. Skjæringen blir mindre effektiv, og bladet bør skiftes. Bruk kun et nytt blad av godkjent fabrikat ved utskifting. Produsenten overtar intet ansvar for mulige skader som skyldes forhold som ubalansert blad. Når du skifter bladet, må du kun bruke original type, merket på bladet (MAKITA 263001451 for PLM4630/PLM4631/PLM4632, MAKITA 263002552 for PLM5130) (for bestilling av blad, kontakt din lokale forhandler eller ring til vårt selskap. Se forsiden).

10-4 MOTOREN

Les motorens egen bruksanvisning for instruksjoner om vedlikehold av motoren. Etterfyll motorolje som angitt i motorens egne bruksanvisning som fulgte med gressklipperen din. Les og følg instruksjonene nøye. Vedlikehold luftfilteret under normale betingelser ifølge motorens bruksanvisning. Rengjør det etter et par timers drift ved ekstremt støvede betingelser. Dårlig motortyelse og overoppfylling er som regel et tegn på at luftfilteret bør vedlikeholdes. Les i motorens egen bruksanvisning som fulgte med maskinen angående vedlikehold av luftfilteret. Tennpluggen bør rengjøres og åpningen tilbakestilles en gang i sesongen. Det anbefales å skifte tennplugg ved innledningen til hver klippeseson. Se etter i motorens bruksanvisning for spesifikasjoner om korrekt pluggtype og åpning. Rengjør motoren regelmessig med en klut eller børste. Hold kjølesystemet (området rundt viftehøset) rent for å tillate skikkelig luftsirkulasjon, som er avgjørende for

motorens ytelse og levetid. Påse at du fjerner alt gress, skitt og sotavleiringer fra lydtemperområdet.

11. OPPBEVARINGSINSTRUKSJONER (UTENOM SESONG)

Følgende tiltak bør iverksettes for å klargjøre gressklipperen for oppbevaring.

1. Tøm tanken etter sesongens siste gangs klipping.
 - a) Tøm bensintanken med en sugepumpe.



FORSIKTIG: Ikke tapp ut bensinen i lukket rom, i nærheten av åpen ild osv. Ikke røyk! Bensingasser kan forårsake eksplosjon eller brann.

- b) Start motoren og la den kjøre til den har brukt opp all gjenværende bensin og stopper.
 - c) Ta ut tennpluggen. Bruk en oljekanne for å fylle ca. 20 ml olje i forbrenningskammeret. Aktiver starteren for å fordele oljen jevnt i forbrenningskammeret. Sett tennpluggen inn igjen.
2. Rengjør og smør gressklipperen grundig som beskrevet over under "SMØREINSTRUKSJONER".
 3. Smør skjæreverket lett for å unngå korrosjon.
 4. Oppbevar gressklipperen på et tørt, rent og frostbeskyttet sted, utenfor rekkevidde av ikke- autoriserte personer.



FORSIKTIG: Motoren må være fullstendig avkjølt før gressklipperen settes til oppbevaring.



MERK:

- Ved oppbevaring av alle typer el-utstyr i uventilerte eller materielle lagringskkur,
- må det tas hensyn for å rustbeskytte utstyret. Påfør et tynt lag med silikon eller en lett olje på utstyret, særlig på kabler og alle bevegelige deler.
- Vær forsiktig så du ikke legger kablene i klem eller knekker dem.
- Hvis startsnoren koples fra snorføringen på håndtaket, må du kople fra og jorde tennpluggledningen, trykke ned bladkontrollhåndtaket og trekke startsnoren langsomt ut av motoren. Før startsnoren inn i snorføringsbolten på håndtaket.

Transport

Slå av motoren. Vær forsiktig så du ikke bøyer eller skader skjæreverket når du skyver gressklipperen over hindringer.

12. FEILSØKING

PROBLEM	MULIG ÅRSAK	AVHJELPENDE TILTAK
Motoren starter ikke.	Gasshåndtaket er ikke i korrekt posisjon for de rådende forholdene.	Flytt gasshåndtaket til korrekt posisjon.
	Drivstofftanken er tom.	Fyll tanken med drivstoff: Se MOTORENS BRUKSANVISNING.
	Luffilterelementet er skittent.	Rengjør luffilterelementet: Se MOTORENS BRUKSANVISNING.
	Tennplugg løs.	Stram tennpluggen til 25-30 Nm.
	Tennpluggledningen løs eller ikke koplet til pluggen.	Kople tennpluggledningen på tennpluggen.
	Tennpluggåpningen feil.	Still inn åpningen mellom elektrodene på mellom 0,7 og 0,8 mm.
	Tennpluggen er defekt.	Sett i en ny tennplugg med korrekt åpning: Se MOTORENS BRUKSANVISNING.
	Forgasseren er overfylt av drivstoff.	Fjern luffilterelementet og trekk i startsnoren hele tiden til forgasseren tømmer seg, og monter luffilterelementet igjen.
	Feil i tenningsmodul.	Kontakt serviceverksted.
Motoren vanskelig å starte eller taper kraft.	Skitt, vann eller gammelt drivstoff i tanken.	Tapp ut tanken og rengjør den. Fyll tanken med rent, nytt drivstoff.
	Ventilasjonskullet i drivstofftanklokket er tilstoppet.	Rengjør eller skift ut lokket på drivstofftanken.
	Luffilterelementet er skittent.	Rengjør luffilterelementet.
Motoren går uregelmessig.	Tennpluggen er defekt.	Sett i en ny tennplugg med korrekt åpning: Se MOTORENS BRUKSANVISNING.
	Tennpluggåpningen feil.	Still inn åpningen mellom elektrodene på mellom 0,7 og 0,8 mm.
	Luffilterelementet er skittent.	Rengjør luffilterelementet: Se MOTORENS BRUKSANVISNING.
Ujevn tomgang.	Luffilterelementet er skittent.	Rengjør luffilterelementet: Se MOTORENS BRUKSANVISNING.
	Lufteåpningene i motordekselet er blokkert.	Fjern smuss fra åpningene.
	Kjøleribbene og luftinnløpet under motorens viftehus er blokkert.	Fjern skitt fra kjøleribbene og luftinnløpene.
Motoren hopper over takt ved høy hastighet.	Åpningen mellom elektrodene på tennpluggen er for stor.	Still inn åpningen mellom elektrodene på mellom 0,7 og 0,8 mm.
Motoren overophettes.	Kjøleluftstrømmen blokkert.	Fjern all smuss fra åpningene i deksel, viftehus, luftinnløp.
	Ikke korrekt tennplugg.	For PLM4630/PLM4631: Monter RJ19LMC-tennplugg og kjøleribber på motoren. For PLM4632/PLM5130: Monter QC12YC-tennplugg og kjøleribber på motoren.
Gressklipperen vibrerer unormalt.	Skjæreverket er løst.	Stram bladet.
	Skjæreverket er ikke i balanse.	Balanser bladet.

13. MILJØET

Når maskinens levetid er over og den skal vrakes, skal den ikke kastes sammen med vanlig husholdningsavfall, men skal avfallsbehandles på en miljøsikker måte.

Gjelder kun land i Europa

EF-samsvarserklæring

Som ansvarlig produsent erklærer vi, Makita Corporation, at følgende Makita-maskin(er):

Maskinbetegnelse: Bensindrevet gressklipper
Modellnr./type: PLM4630, PLM4631, PLM4632, PLM5130

Spesifikasjoner: Se "4. TEKNISKE DATA" er av serieproduksjon og

i samsvar med følgende EU-direktiver:

2004/108/EF, 2006/42/EF,
2000/14/EF & 2005/88/EF

Og er produsert i henhold til følgende standarder eller
standardiserte dokumenter:

EN 836, EN ISO 14982

Den tekniske dokumentasjonen oppbevares hos:

Makita International Europe Ltd.,
Technical Department,
Michigan Drive, Tongwell,
Milton Keynes, Bucks MK15 8JD, England

Samsvarsvurderingen som er påkrevet i henhold til
direktiv 2000/14/EF ble utført i samsvar med Vedlegg VI.

Teknisk kontrollorgan:

TÜV SÜD Industrie Service GmbH
Westendstraße 199, D-80686 München
Identifikasjonsnummer: 0036

Modell: PLM4630, PLM4631

Målt lydeffektnivå: 94,2 dB (A)
Garantert lydeffektnivå: 96 dB (A)

Modell: PLM4632

Målt lydeffektnivå: 94,3 dB (A)
Garantert lydeffektnivå: 96 dB (A)

Modell: PLM5130

Målt lydeffektnivå: 95,9 dB (A)
Garantert lydeffektnivå: 98 dB (A)

30. 11. 2012



Tomoyasu Kato
Direktør
Makita Corporation
3-11-8, Sumiyoshi-cho,
Anjo, Aichi, 446-8502, JAPAN

Yleisnäkymän selitykset

- | | | |
|-------------------------|------------------------------|----------------------------------|
| 1. Jarrukahva | 12. Sivupoistoaukon läppä | 23. Aluslevy |
| 2. Ylempi kahva | 13. Kotelo | 24. Lukitusnuppi |
| 3. Itsevedon säätökahva | 14. Sytytystulppa | 25. Lukkomutteri |
| 4. Kuristinvipu | 15. Öljysäiliön korkki | 26. Kulmansäätö |
| 5. Käynnistinkahva | 16. Polttoainesäiliön korkki | 27. Painike |
| 6. Naruohjain | 17. Vaijerin pidin | 28. Öljyntäyttökorkki/mittatikku |
| 7. Lukitusvipu | 18. Vaijerin pidikerengas | 29. Max: yläraja |
| 8. Alempi kahva | 19. Nopeudensäätövipu | 30. Min: alaraja |
| 9. Ruohonkeräin | 20. Silppuamiskiila | 31. Ruuvi |
| 10. Korkeudensäätövipu | 21. Tason ilmaisin | |
| 11. Sivupoistoaukko | 22. Pultti | |

**VAROITUS:**

Luo tämä opas oman turvallisuutesi vuoksi ennen uuden laitteen käyttämistä. Ohjeiden noudattamatta jättämisestä voi aiheutua vakavia vammoja. Kertaa ruohonleikkurin käyttö ennen kutakin käyttökertaa.



Huomio: Moottori on kuuma.

1. TUOTTEeseen MERKITYT SYMBOLIT

Lue käyttöopas.



Pidä sivulliset loitolla.



Varo, ettei kätesi tai jalkasi joudu vaaraan.



Polttoaine on herkästi syttyvää. Pidä se poissa avotulen läheisyydestä. Älä lisää polttoainetta koneen käydessä.



Myrkyllisiä höyryjä, älä käytä sisätiloissa.



Käytä ruohonleikkuun aikana suojalaseja ja korvatulppia.



Irrota ennen korjaustoimia sytytystulppa ja tee sitten korjaukset käyttöoppaan ohjeiden mukaisesti.

2. YLEISIÄ TURVAOHJEITA

VAROITUS: Bensiinikäyttöisiä työkaluja käytettäessä on vakavan henkilövahingon ja laitteen vioittumisen välttämiseksi aina huolehdittava muun muassa seuraavista perusvarotoimista. Lue nämä ohjeet kokonaisuudessaan, ennen kuin käytät tuotetta, ja säilytä ne tulevaa tarvetta varten.



VAROITUS: Tämä laite tuottaa toimiessaan sähkömagneettisen kentän. Tämä kenttä voi tiettyissä oloissa häiritä aktiivisia tai passiivisia lääketieteellisiä apuvälineitä. Vakavan vammautumisen tai jopa kuoleman vaaran takia suosittelemme, että tällaisia apuvälineitä käyttävät henkilöt varmistavat ennen tämän laitteen käyttämistä lääkäriltään tai apuvälineensä valmistajalta, että laitteen käyttäminen on turvallista.

Käyttöön perehtyminen

- Lue ohjeet huolellisesti. Perehdy laitteen säätimiin ja asianmukaiseen käyttöön.
- Älä anna lasten tai näihin ohjeisiin perehtymättömien henkilöiden käyttää ruohonleikkuria. Paikallisissa määräyksissä saatetaan asettaa laitteen käytölle vähimmäiskärajä.
- Ruohonleikkuria ei saa koskaan käyttää, kun lähistöllä on muita henkilöitä (etenkin lapsia) ja lemmikkieläimiä.
- Muista, että käyttäjä vastaa tapaturmista tai vahingoista, jotka hän aiheuttaa muille ihmisille tai heidän omaisuudelleen.

Valmistelutoimet

- Käytä ruohoa leikatessasi aikana aina tukevia jalkineita ja pitkiä housuja. Älä käytä laitetta paljain jaloin tai sandaalit jalassa.
- Tutki leikattava alue huolellisesti ja poista kaikki sellaiset esineet ja kappaleet, jotka voivat sinkoutua ruohonleikkurista.
- VAROITUS – Bensiini on erittäin helposti syttyvää.

- Säilytä polttoaine tarkoitukseen suunnitelluissa astioissa.
- Tankkaa aina ulkoilmassa äläkä tupakoi tankkauksen aikana.
- Lisää polttoaine ennen moottorin käynnistämistä. Älä koskaan avaa polttoainesäiliön korkkia tai lisää polttoainetta, kun moottori käy tai on vielä kuuma.
- Jos bensiiniä läikkyy, älä yritä käynnistää moottoria vaan siirrä kone pois läikkymisalueelta ja vältä syytimislähteiden tuomista sen lähistölle, kunnes bensiinihöyryt ovat haihtuneet.
- Sulje polttoainesäiliöiden ja -astioiden korkit huolellisesti.
- Vaihda vioittuneet äänenvaimentimet.
- Tarkista ennen käyttöä silmämääräisesti, että terät, terien pultit ja leikkuuyksikkö eivät ole kuluneet tai vaurioituneet. Vaihda kaikki vioittuneet tai kuluneet terät ja pultit yhdellä kertaa.
- laitteen osuttua vierasesineeseen. Tarkasta ruohonleikkuri vaurioiden varalta ja korjaa mahdolliset viat, ennen kuin käynnistät sen uudelleen
- jos ruohonleikkuri alkaa täristä epänormaalisti (tutki heti tämän syy).
- Pysäytä moottori ja irrota sytytystulpan johto, varmista, että kaikki liikkuvat osat ovat täysin pysähtyneet ja irrota mahdollinen avain seuraavissa tilanteissa:
 - aina, kun poistut ruohonleikkurin luota
 - ennen tankkausta.
- Vähennä kaasua moottoria pysäyttäessäsi. Jos moottorissa on sulkuventiili, sulje polttoaineen syöttö, kun lopetat leikkaamisen.

Käyttö

- Älä käytä moottoria suljetussa tilassa, johon voi kertyä vaarallisia hääkaasuja.
- Leikkaa vain päivänvalossa tai kirkaassa keinovalossa.
- Vältä määrän nurmikon leikkaamista mahdollisuksien mukaan.
- Varmista aina tukeva jalansija, kun leikkaat nurmikkoa rinteessä.
- Kävele, älä juokse.
- Leikkaa nurmikko rinteessä aina poikittaissuuntaan, älä koskaan ylös ja alas.
- Ole erityisen varovainen vaihtaessasi suuntaa rinteissä.
- Älä leikkaa nurmikkoa liian jyrkissä rinteissä.
- Ole erityisen varovainen kääntäessäsi tai vetäessäsi ruohonleikkuria itseäsi kohti.
- Pysäytä terä(t), jos ruohonleikkuria on tarpeen kallistaa ruohottomia alueita ylittettäessä, sekä silloin, kun siirrä sitä leikattavalle nurmialueelle ja takaisin.
- Älä koskaan käytä ruohonleikkuria, jos suojuukset ovat vioittuneet tai jos turvalaitteet, kuten kivisuojat ja/tai ruohonkeräimet, eivät ole paikallaan.
- Älä muuta moottorin nopeudensäätimen asetuksia tai käytä moottoria ylikerroksilla.
- Vapauta kaikki terät ja käyttökytkimet ennen moottorin käynnistystä.
- Käynnistä moottori varovaisuutta noudattaen ja ohjeiden mukaisesti ja pidä jalkasi poissa terien ulottuvilta.
- Älä kallista ruohonleikkuria moottoria käynnistäessäsi.
- Älä käynnistä moottoria seisossasi poistokourun edessä.
- Älä pane käsiäsi tai jalkojasi pyörievien osien alle tai lähelle. Jätä poistoaukko aina esteettömäksi.
- Älä nosta tai kuljeta ruohonleikkuria moottorin käydessä.
- Pysäytä moottori ja irrota sytytystulpan johto, varmista, että kaikki liikkuvat osat ovat täysin pysähtyneet ja irrota mahdollinen avain seuraavissa tilanteissa:
 - ennen tukkeumien selvittämistä tai kourun puhdistamista
 - ennen ruohonleikkurin tarkastamista, puhdistamista tai kunnossapitoa

Kunnossapito ja säilytys

- Varmista leikkurin käyttöurvallinen kunto tarkistamalla, että kaikki mutterit, pultit ja ruuvit ovat tiukasti kiinni.
- Jos polttoainesäiliössä on polttoainetta, älä säilytä ruohonleikkuria tilassa, jossa höyryt voivat joutua kosketukseen avotulen tai kipinöiden kanssa.
- Anna moottorin jäähtyä, ennen kuin siirät ruohonleikkurin suljettuun varastoon.
- Vähentääksesi tulipalon vaaraa pidä moottori, äänenvaimennin, akkutila ja polttoaineen säilytysalue puhtaana ruohosta, lehdistä ja ylimääräisestä rasvasta.
- Tarkasta ruohonkeräin säännöllisesti kulumisen ja vaurioiden varalta.
- Vaihda kuluneet tai vioittuneet osat turvallisuusyryistä.
- Jos polttoainesäiliö on tarpeen tyhjentää, tee se ulkona.



VAROITUS: Älä koske pyörivään terään.



VAROITUS: Tankkaa hyvin tuuletetussa tilassa moottorin ollessa pysäytettynä.

3. OSIEN KUVAUS (kuva 1, kuva 2, kuva 3, kuva 4)

Mukaan lukien

A: Sytytystulppa-avain

4. TEKNISET TIEDOT

Malli	PLM4630	PLM4631	PLM4632	PLM5130
Moottorin tyyppi	B&S 675EX-sarja, ReadyStart	B&S 675EX-sarja, ReadyStart	B&S 750EX-sarja, ReadyStart	B&S 750EX-sarja, ReadyStart
Itsevetävä	Ei	Kyllä	Kyllä	Kyllä
Moottorin tilavuus	190 cm ³	190 cm ³	161 cm ³	161 cm ³
Terän leveys	460 mm	460 mm	460 mm	510 mm
Nimellisa nopeus	2 800/min	2 800/min	2 800/min	2 800/min
Polttoainesäiliön tilavuus	1,0 L	1,0 L	1,0 L	1,0 L
Öljysäiliön tilavuus	0,6 L	0,6 L	0,6 L	0,6 L
Ruohonkeräimen tilavuus	60 L	60 L	60 L	65 L
Nettopaino	31,5 kg	34 kg	35 kg	38 kg
Korkeuden säätö	20–75 mm, 8 asentoa	20–75 mm, 8 asentoa	20–75 mm, 8 asentoa	20–75 mm, 8 asentoa

	PLM4630	PLM4631	PLM4632	PLM5130
Taattu äänenpainetaso käyttäjän kohdalla (standardien EN ISO 3744, EN ISO 4871 mukaisesti)	83,5 dB (A) (K=3 dB (A))	83,5 dB (A) (K=3 dB (A))	83,9 dB (A) (K=3 dB (A))	85,7 dB (A) (K=3 dB (A))
Mitattu äänitehotaso Taattu äänitehotaso (direktiivin 2000/14/EY mukaisesti)	94,2 dB (A) K=1,95 dB (A) 96 dB (A)	94,2 dB (A) K=1,95 dB (A) 96 dB (A)	94,3 dB (A) K=1,80 dB (A) 96 dB (A)	95,9 dB (A) K=2,16 dB (A) 98 dB (A)
Tärinä (standardin EN ISO 20643 mukaisesti)	6,58 m/s ² K=1,5 m/s ²	6,58 m/s ² K=1,5 m/s ²	7,12 m/s ² K=1,5 m/s ²	6,53 m/s ² K=1,5 m/s ²

5. KOKOAMINEN

5-1 TAITTUVAAN KAHVAN KIINNITTÄMINEN

- Kiinnitä alempi käsikahva kahvan kiinnikkeeseen puhtilla, aluslevyllä ja lukitusnupilla. **(kuva 5)**
- Nosta lukitusvipuja ja kiinnitä ylempi ja alempi kahva toisiinsa. **(kuva 6)**
- Kiinnitä kahvat käyttöasentoon painamalla lukitusvivut lukitusasentoon. **(kuva 7)**
- Säädä kireys kiertämällä lukkomutteria sopivalla mutteriavaimella. **(kuva 8)**
- Aseta kaapeli kahvan varren päälle. Kiinnitä se alemman kahvan keskikohtaan ympärille vaijerin pitimellä siten, että vaijeri tulee kahvan ulkosivulle. **(kuva 9, kuva 10)** Muussa tapauksessa vaijeri voi joutua puristuksiin takakanta avattaessa/suljettaessa.

5-2 SÄÄTÄMINEN SOPIVAAN KULMAAN

- Vedä lukitusvipu avausasentoon.
- Kierrä ylempää kahvaa kulmansäätömekanismilla haluamaasi kulmaan (-15° ... 15°, kolme asentoa: -15°/0°/15°) **kuva 11** esitetyllä tavalla.
- Kytke alempi ja ylempi kahva toisiinsa painamalla lukitusvipu suljettuun asentoon.

5-3 RUOHONKERÄIMEN ASENTAMINEN JA IRROTTAMINEN

- Kiinnitys: Nosta takakantta ja kiinnitä ruohonkeräin leikkurin taakse. **(kuva 12, kuva 13, kuva 14)**

- Irrotus: Tartu takakanteen, nosta se ylös ja irrota sitten ruohonkeräin.

5-4 KÄYNNISTINKAHVA

Siirrä käynnistinkahva moottorista naruohjaimeen. **(kuva 15)**

5-5 LEIKKAUSKORKEUS

Paina vipu irti säätölovesta. Säädä korkeutta siirtämällä vipua eteen- tai taaksepäin. **(kuva 16, katso myös kohta 7-9)**

6. TOIMINTA

Nämä ruohonleikkurit voi säätää toimimaan halutulla tavalla:

takakeräimellä varustetusta ruoholeikkurista

- silppuavaksi ruohonleikkuriksi tai
- sivulle poistavaksi ruoholeikkuriksi.

Mitä silppuaminen tarkoittaa?

Silppuaminen tai bioleikkuu tarkoittaa, että leikattu ruoho hienonnetaan silpuksi, joka palautetaan takaisin nurmikolle luonnonmukaiseksi ravinteeksi.

Vihjeitä silppuamiseen:

- Lyhennä nurmikkoa enintään 2 cm (6 cm:n korkuisesta 4 cm:n korkuiseksi).
- Käytä terävää leikkuuterää.
- Älä leikkaa märkää nurmikkoa.
- Käytä moottorin suurinta käyntinopeutta.
- Etene normaaliilla työskentelynopeudella.
- Puhdista silppuamiskila, kotelon sisäpuoli ja leikkuuterä säännöllisin väliajoin.

Käytön aloittaminen

6-1 Leikkurin säätäminen silppuavaksi



VAROITUS: Moottorin pitää olla sammutettuna ja leikkuuterän pysähtyneenä.

1. Nosta takakansi ja irrota ruohonkeräin.
2. Työnnä silppuamiskiihi koteloon. Lukitse silppuamiskiihi painikkeella kotelossa olevaan aukkoon. (kuva 17, kuva 18)
3. Laske takakansi uudelleen alas. (kuva 19)
4. Nosta sivupoistoaukon läppä ja irrota sivupoistoaukon ohjain.

6-2 Säätäminen sivulta poistavaksi leikkuriksi



Moottorin ja leikkuuterän pitää olla pysähtynyt!

1. Nosta takakansi ja irrota ruohonkeräin.
2. Kiinnitä silppuamiskiihiä.
3. Nosta sivupoistoaukon läppä. (kuva 20)
4. Kiinnitä sivupoisto-ohjain sivupoistoaukon läpässä olevaan kiinnitystappiin. (kuva 21)
5. Laske sivupoistoaukon läppä alas. Läppä on sivupoistoaukon päällä. (kuva 22)

6-3 Leikkaaminen ruohonkeräintä käyttäen



Moottorin pitää olla sammutettuna ja leikkuuterän pysähtyneenä.

Jos haluat leikata ruohoa ruohonkeräintä käyttäen, irrota silppuamiskiihiä ja sivupoistoaukon ohjain ja kiinnitä ruohonkeräin.

1. Poista silppuamiskiihiä.
 - Nosta takakansi ja irrota silppuamiskiihiä.
2. Sivupoistoaukon ohjaimen irrottaminen.
 - Nosta sivupoistoaukon läppä ja irrota sivupoistoaukon ohjain.
 - Jousikuormitteinen sivupoistoaukon läppä sulkee poistoaukon automaattisesti.
 - Puhdista sivupoistoaukon läppä ja sivupoistoaukko säännöllisesti ruohojäämistä ja kurasta.
3. Asenna ruohonkeräin.
 - Kiinnittäminen: Nosta takakannta ja kiinnitä ruohonkeräin leikkurin taakse.
 - Irrottaminen: Tartu takakannteen, nosta se ylös ja irrota sitten ruohonkeräin.

7. KÄYTTÖ

7-1 ENNEN KÄYNNISTYSTÄ

Lisää polttoainetta ja öljyä ruohonleikkurin mukana toimitettavan erillisen moottorioppaan ohjeiden mukaisesti. Lue ohjeet huolellisesti. (kuva 23, kuva 24, kuva 25, kuva 26)



VAROITUS: Bensiini on erittäin helposti syttyvää. Säilytä polttoaine tarkoitukseen suunnitelluissa astioissa. Tankkaa aina ulkoilmassa ennen moottorin käynnistämistä äläkä tupakoi tankkauksen tai polttoaineen käsittelyn aikana.

Älä koskaan avaa polttoainesäiliön korkkia tai lisää polttoainetta, kun moottori käy tai on vielä kuuma. Jos bensiiniä läikkyi, älä yritä käynnistää moottoria vaan siirrä kone pois läikkyimisalueelta ja vältä syttymislähteiden tuomista sen lähistölle, kunnes bensiinihöyryt ovat haihtuneet. Sulje polttoainesäiliöiden ja -astioiden korkit huolellisesti. Tyhjennä polttoainesäiliö, ennen kuin kallistat ruohonleikkuria terän huoltoa tai öljynvaihtoa varten.



VAROITUS: Älä koskaan täytä polttoainesäiliötä sisätiloissa, jos moottori käy tai ei ole käytön jälkeen jäähtynyt ainakin 15 minuutin ajan.

7-2 MOOTTORIN KÄYNNISTÄMINEN JA TERÄN KYTKEMINEN TOIMINTAAN

1. Sytytystulpan päässä on kuminen hattu. Varmista, että sytytystulpan johdon päässä (kumihatun sisällä) oleva metallilenkki on tukevasti kiinni sytytystulpan metallikärjessä.
 2. Käännä kuristinvipu asentoon "☁" kylmää moottoria käynnistettäessä. Käännä kuristinvipu asentoon "☀" lämmennettyä moottoria käynnistettäessä ja käytön aikana. (kuva 27)
 3. Seiso ruohonleikkurin takana, tartu jarrukahvaan ja purista sitä ylempää kahvaa vasten **kuvasa 28** esitetyllä tavalla.
 4. Tartu käynnistinkahvaan **kuvasa 28** esitetyllä tavalla ja vedä sitä voimakkaasti ylöspäin. Palauta se hitaasti naruohjaimen moottorin käynnistyttyä.
- Vapauta jarrukahva, kun haluat pysäyttää moottorin ja terän.



Käynnistä moottori varovaisuutta noudattaen ja ohjeiden mukaisesti ja pidä jalkasi poissa terän ohjauvilta.



Älä kallista ruohonleikkuria moottoria käynnistäessäsi. Käynnistä ruohonleikkuri tasaisella alustalla, jossa ei ole korkeaa ruohoa tai muita esteitä.



Pidä kädet ja jalat loitolla pyörivistä osista. Älä seiso poistokourun edessä, kun käynnistät moottoria.

7-3 LAITTEEN KÄYTTÄMINEN

Purista jarrukahvaa käytön aikana tiukasti molemmin käsin.

Huomautus: Kun jarrukahva vapautetaan käytön aikana, moottori pysähtyy, mikä lopettaa ruohonleikkurin toiminnan.

7-4 MOOTTORIN PYSÄYTTÄMINEN



HUOMIO: Terä jatkaa pyörimistä muutaman sekunnin ajan moottorin pysäyttämisen jälkeen.

1. Vapautta jarrukahva, kun haluat pysäyttää moottorin ja terän. **(kuva 29)**
2. Irrota ja maadoita sytytystulpan johto erillisessä moottorioppaassa annettujen ohjeiden mukaisesti, jotta ruohonleikkuri ei pääse käynnistymään vahingossa, kun se jätetään ilman valvontaa.

7-5 AUTOMAATTIAJON LIITÄNTÄ

Malli PLM4631

Kun puristat itsevedon säätökahvaa, ruohonleikkuri liikkuu eteenpäin noin 3,6 km/h. **(kuva 30)** Ruohonleikkurin liike pysähtyy, kun vapautat itsevedon kahvan.

Mallit PLM4632, PLM5130

Ruohonleikkurissa on nopeus säätöjärjestelmä, jossa on kolme nopeutta välillä 3,0–4,5 km/h. Asento "☞": hitain asento, asento "☞☞": nopein asento. **(kuva 31)**

Noudata seuraavia ohjeita:

1. Vapautta itsevedon säätökahva ja odota, että ruohonleikkuri pysähtyy.
2. Säädä nopeus haluamaksesi. **(kuva 31)**
3. Jatka ruohonleikkua puristamalla itsevedon säätökahvaa. **(kuva 30)**



HUOMIO: Tämä ruohonleikkuri on suunniteltu normaaliin, korkeintaan 250 mm:n korkuisen nurmikon leikkuuseen.

Älä yritä leikata normaalia pitempää mäkää tai kuivaa ruohoa (esim. laidunta) tai kuivia lehtikasvoja. Leikkuujäte voi kerääntyä ruohonleikkurin koteloon tai joutua kosketuksiin pakoputken kanssa, josta aiheutuu tulipalovaara.

7-6 OHJEITA RUOHON LEIKKAAMISEEN

Poista irtoroskat nurmikolta. Varmista, että nurmikolla ei ole kiviä, oksia, johtoja ja muita vierasesineitä, jotka voivat vahingossa sinkoutua ruohonleikkurista mihin tahansa suuntaan ja aiheuttaa vakavan henkilö- tai omaisuusvahingon. Älä leikkaa mäkää nurmikkoa. Jos ruoho on mäkää, se tarttuu helposti kotelon alle ja estää ruohon tehokkaan leikkaamisen. Leikkaa enintään kolmasosa nurmikon pituudesta. Suositeltu leikkauskorkeus on enintään kolmasosa ruohon pituudesta. Nopeutta on tarpeen säätää siten, että silputtu ruoho leviää tasaisesti nurmikolle. Jos ruoho on hyvin paksa, voi olla tarpeen käyttää pientä nopeutta, jotta leikkauksijälki on siisti. Pitkää nurmikkoa leikattaessa voi olla tarpeen tehdä kaksi leikkauskierrosta siten, että jälkimmäisellä kierroksella lasketaan terää edelleen 1/3 alemmas ja mahdollisesti käytetään toisenlaista leikkauskuvioita. Kun kukin kierroksista menee hieman päällekkäin edellisen kanssa, nurmikolle mahdollisesti jäänyt leikattu ruoho silpuuntuu siististi pois. Ruohonleikkuria on aina syytä käyttää täydellä kaasulla. Tällä varmistetaan hyvä leikkauksijälki ja tehokas leikkaaminen. Puhdista kotelon alapuoli. Muista puhdistaa leikkukotelon alapuoli jokaisen käyttökerran jälkeen, jotta

sinne ei kerry ruohoa. Kertynyt ruoho estää tehokkaan silppuamisen. Lehtien silppuaminen Lehtien silppuaminen voi olla hyväksi nurmikolle. Varmista lehtiä silputessasi, että ne ovat kuivia ja että niitä ei ole nurmikolla liian paksa kerroksena. Älä odota kaikkien lehtien putoamista maahan, ennen kuin aloitat silppuamisen.



VAROITUS: Pysäytä moottori, jos leikkuri osuu vierasesineeseen. Irrota sytytystulpan johto, tarkasta ruohonleikkuri huolellisesti vaurioiden varalta ja korjaa mahdolliset vauriot ennen ruohonleikkurin käynnistämistä uudelleen. Huomattava käytönaikainen tärinä on merkki vauriosta. Ruohonleikkuri on tällöin tarkastettava ja korjattava viipymättä.

7-7 RUOHONKERÄIN

Ruohonkeräimen päällä on tason ilmaisin, joka osoittaa, onko keräin tyhjä vai täysi **(kuva 32, kuva 33):**

- Tason ilmaisin nousee leikkaamisen aikana ylös, jos keräin ei ole täynnä. **(kuva 33)**
- Jos keräin on täynnä, ilmaisin laskeutuu alas. Jos niin tapahtuu, lopeta leikkaaminen heti ja tyhjennä keräin. Tarkista, että keräin on puhdas ja sen verkko ei ole tukkeutunut. **(kuva 32)**

TÄRKEÄÄ

Jos ilmaisimen aukko on hyvin likainen, ilmaisin ei nouse ylös. Puhdista silloin ilmaisimen aukko viipymättä.

7-8 KOTELO

Ruohonleikkurin kotelon alapuoli on syytä puhdistaa jokaisen käyttökerran jälkeen, jotta sinne ei pääse kertymään paakkuuntunutta ruohoa, lehtiä, likaa tai muuta leikkuujätettä. Kertynyt leikkuujäte voi altistaa ruohonleikkurin ruosteelle ja korroosiolle sekä estää tehokkaan silppuamisen. Kotelo puhdistetaan kallistamalla ruohonleikkuria ja kaapimalla se sitten puhtaaksi sopivalla välineellä (varmista, että sytytystulpan johto on irrotettu).

7-9 LEIKKAUSKORKEUDEN SÄÄTÖ



HUOMIO: Älä koskaan tee ruohonleikkuriin minkäänlaisia säätöjä, ennen kuin moottori on pysäytetty ja sytytystulpan johto irrotettu.



HUOMIO: Pysäytä moottori ja irrota sytytystulpan johto, ennen kuin muutat leikkauskorkeutta.

Ruohonleikkurissa on korkeudensäätökahva, jolla voit valita kahdeksan eri leikkauskorkeutta.

Korkeudeksi (terän korkeudeksi maanpinnasta) voi säätää 20–75 mm (8 asentoa). **(kuva 34)** Matalin asento on 20 mm (asento 1) ja korkein asento 75 mm (asento 8).

1. Pysäytä moottori ja irrota sytytystulpan johto ennen leikkauskorkeuden muuttamista.
2. Korkeudensäätökahvalla voit valita kahdeksan eri leikkauskorkeutta. **(kuva 34)**

Muuta leikkauskorkeutta puristamalla säätökahvaa pyörää kohti ja siirtämällä kahvaa sitten ylös tai alas haluamaasi leikkauskorkeuteen.

8. KUNNOSSAPITO

SYTYTYSTULPPA

Käytä vain alkuperäisiä vaihtosytytystulppia.
Sytytystulppa on syytä vaihtaa 100 käyttötunnin välein.

9. VOITELU



HUOMIO: IRROTA SYTYTYSTULPPA ENNEN HUOLTOA.

1. PYÖRÄT – Voitele jokaisen pyörän kuulalaakerit ohuella öljyllä vähintään kerran kesän aikana.
2. MOOTTORIT – Noudata moottorioppaassa annettuja voiteluohjeita.

10. PUHDISTUS



HUOMIO: Älä suihkuta moottoria vedellä. Vesi voi voittaa moottoria ja polttoainejärjestelmää.

1. Pyyhi kotelo kuivalla kankaalla.
2. Kallista ruohonleikkuria siten, että sytytystulppa osoittaa ylöspäin, ja suihkuta vettä kotelon alle.

10-1 MOOTTORIN ILMANPUHDISTIN



HUOMIO: Varmista, ettei lika tai pöly pääse tukkimaan ilmanpuhdistimen vaahtolementtiä. Moottorin ilmanpuhdistin pitää huoltaa (puhdistaa) 25 normaalin käyttötunnin jälkeen. Vaahtolementti pitää puhdistaa säännöllisin väliajoin, jos ruohonleikkuria käytetään kuivassa ja pölyisessä ympäristössä.

ILMANPUHDISTIMEN PUHDISTUS

1. Irrota ruuvi (kuva 35 malleille PLM4632 PLM5130).
2. Irrota lukitusnappi. (kuva 36 malleille PLM4630 ja PLM4631)
3. Irrota ilmanpuhdistimen kotelo.
4. Pese suodatinelementti saippuavedellä. **ÄLÄ KÄYTÄ BENSINIÄ!**
5. Anna suodatinelementin kuivua vapaasti.
6. Tiputa vaahtosuodattimeen muutama pisara SAE30-öljyä ja purista tiukasti niin, että ylimääräinen öljy puristuu pois.
7. Asenna suodatin takaisin.

HUOMAUTUS: Vaihda suodatin, jos se on hankautunut, repeytynyt tai voittunut tai jos sitä ei voi puhdistaa.

10-2 LEIKKUUTERÄ



HUOMIO: Irrota ja maadoita sytytystulpan johto ennen leikkuuterän huoltamista, jotta moottori ei pääse käynnistymään vahingossa. Suojaa kätesi tarttumalla leikkuuterin tukevin suojakäsinein tai rievulla. Kallista leikkuria erillisessä moottorioppaassa annettujen ohjeiden mukaisesti. Irrota kuusiopultti ja aluslevy, jotka tukevat terän ja terän sovittimen moottorin kampiakselia vasten. Irrota terä ja sovitin kampiakselista.



VAROITUS: Tarkasta terän sovitin säännöllisin väliajoin ja varsinkin silloin, kun ruohonleikkuri osuu vierasesineeseen. Vaihda tarvittaessa.

Terän pitää olla terävä, jotta leikkujälki olisi paras mahdollinen. Terän voi teroittaa irrottamalla sen ja hiomalla tai viilaamalla leikkuusärmää mahdollisimman tarkoin alkuperäistä viistettä seuraten. Leikkuusärmät on tärkeää hioa tasaisesti, jotta terä pysyy tasapainossa. Jos terä jää epätasapainoiseksi, siitä aiheutuva tärinä vahingoittaa lopulta moottoria ja ruohonleikkuria. Varmista terän tasapaino huolellisesti teroittamisen jälkeen. Tasapainon voi tarkistaa asettamalla terän pyöreävaraisen ruuvitalan päälle. Hio metallia pois painavasta päästä, kunnes terä on tasapainossa. (kuva 37)

Voitele moottorin kampiakseli ja terän sovittimen sisäpinta ohuella öljyllä, ennen kuin kiinnität terän ja terän sovittimen takaisin paikalleen. Asenna terän sovitin paikalleen kampiakseliin. Katso kuva 37. Käännä terä asentoon, jossa osanumero on poispäin sovittimesta. Sovita aluslevy terän päälle ja pane kuusiopultti paikalleen. Kiristä kuusiopultti alla mainittuun tiukkuuteen.

10-3 TERÄN KIRISTYSMOMENTTI

keskipultti 40–50 Nm laitteen luotettavan ja turvallisen toiminnan takaamiseksi. Kaikkien pulttien ja mutterien kiristys pitää tarkistaa säännöllisin väliajoin.

Terä kuluu alkuperäisestä muodostaan, kun ruohonleikkuria käytetään pitkään varsinkin hiekkaisessa ympäristössä. Tällöin leikkuteho huononee ja terä on syytä vaihtaa. Käytä vain hyväksytyt valmistajan varaosaterää. Valmistaja ei vastaa väärin tasapainotetun terän aiheuttamista vaurioista.

Tarkista terää vaihtaessasi terän alkuperäinen tyyppi, joka on merkitty terään (MAKITA 263001451 mallissa PLM4630/PLM4631/PLM4632 ja MAKITA 263002552 mallissa PLM5130). (Ota terää tilatessasi yhteyttä paikalliseen jälleenmyyjään tai meihin, katso yhteystiedot kannesta.)

10-4 MOOTTORI

Katso moottorin huolto-ohjeet erillisestä moottorioppaasta.

Lisää moottoriöljyä ruohonleikkurin mukana toimitettavan erillisen moottorioppaan mukaisesti. Lue ohjeet huolellisesti ja toimi niiden mukaisesti.

Huolla ilmanpuhdistin normaalioloissa erillisen moottorioppaan ohjeiden mukaisesti.

Puhdista se muutaman tunnin välein, jos ympäristössä on runsaasti pölyä. Moottorin alentunut teho ja vuotaminen on yleensä merkki siitä, että ilmanpuhdistin on tarpeen puhdistaa.

Huolla ilmanpuhdistin ruohonleikkurin mukana toimitettavan erillisen moottorioppaan mukaisesti.

Sytytystulppa on syytä puhdistaa ja karkiväli säätää kerran kesässä. Sytytystulpan vaihtaminen on suositeltavaa kesän alussa. Katso sytytystulpan oikea tyyppi ja karkiväli moottorioppaasta.

Puhdista moottori säännöllisesti kankaalla tai harjalla. Pidä jäähdytysjärjestelmä (tuulettimen runko) puhtaana, jotta ilma pääsee kiertämään vapaasti. Tämä on tärkeää moottorin tehon ja käyttöiän kannalta. Poista ruoho, lika ja palavat roskat äänenvaimentimen läheisyydestä.

11. SÄILYTYS (TALVIAIKANA)

Toimi seuraavasti, kun viät ruohonleikkurin talvivarastoon.

1. Tyhjennä polttoainesäiliö kauden viimeisen leikkuukerran jälkeen.

a) Tyhjennä polttoainesäiliö imupumpulla.



HUOMIO: Älä tyhjennä polttoainesäiliötä suljetussa tilassa, avotulen lähellä jne. Älä tupakoi tyhjennyksen aikana! Bensinihöyryt voivat aiheuttaa räjähdyksen tai tulipalon.

b) Käynnistä moottori ja anna sen käydä, kunnes jäljellä oleva polttoaine on kulunut loppuun ja moottori sammuu.

c) irrota sytytystulppa. Kaada öljykannulla palotilaan noin 20 ml öljyä. Pyöritä moottoria käynnistysmoottorilla, jotta öljy leviää tasaisesti palotilaan. Asenna sytytystulppa takaisin paikalleen.

2. Puhdista ja voitele ruohonleikkuri huolellisesti VOITELU-luvussa kerrotulla tavalla.

3. Voitele leikkuuterä kevyesti ruostumisen estämiseksi.

4. Säilytä ruohonleikkuria kuivassa, puhtaassa ja pakkaselta suojatussa paikassa asiattomien henkilöiden ulottumattomissa.



HUOMIO: Anna moottorin jäähtyä täysin ennen ruohonleikkurin varastoimista.



HUOMAUTUS:

- Huomioi seuraavat seikat, jos säilytät moottorilla varustettuja laitteita huonosti tuuletetussa varastossa tai vastaavassa.
- Huolehdi asianmukaisesta ruostesuojauksesta. Voitele laite ja erityisesti sen vaijerit ja liikkuvat osat ohuella öljyllä tai siikonilla.
- Varo, että vaijerit eivät taivu tai taitu.
- Jos käynnistinnaru irtoaa kahvan naruohjaimesta, irrota ja maadoita sytytystulpan johto, paina teränsäätökahvasta ja vedä käynnistinnaru hitaasti ulos moottorista. Sovita käynnistinnaru sitten takaisin kahvan naruohjaimen.

Kuljetus

Sammuta moottori. Varo vahingoittamasta leikkuuterää, kun työnnät ruohonleikkuria esteiden yli.

12. VIANMÄÄRITYS

ONGELMA	TODENNÄKÖINEN SYY	KORJAUSTOIMI
Moottori ei käynnisty.	Kuristin-kaasuvipu ei ole oikeassa asennossa.	Siirrä kaasuvipu oikeaan asentoon.
	Polttoainesäiliö on tyhjä.	Täytä polttoainesäiliö. Katso lisätietoja moottorin käyttöoppaasta.
	Ilmanpuhdistinelementti on likainen.	Puhdista ilmanpuhdistinelementti. Katso lisätietoja moottorin käyttöoppaasta.
	Sytytystulppa on löysällä.	Kiristä sytytystulppa 25–30 Nm:n tiukkuuteen.
	Sytytystulpan johto on löysällä tai irti tulpasta.	Kiinnitä sytytystulpan johto sytytystulppaan.
	Sytytystulpan kärkiväli on väärä.	Säädä elektrodien kärkiväliksi 0,7–0,8 mm.
	Sytytystulppa on viallinen.	Vaihda tilalle uusi sytytystulppa, jonka kärkiväli on säädetty oikein. Katso lisätietoja moottorin käyttöoppaasta.
	Kaasuttimeen tulee liikaa polttoainetta.	Irrota ilmanpuhdistinelementti ja vedä käynnistinnarusta yhtäjaksoisesti, kunnes kaasutin puhdistuu, ja pane ilmanpuhdistinelementti sitten takaisin paikalleen.
	Viallinen käynnistyslaite.	Ota yhteyttä huoltoedustajaan.
Moottorin käynnistäminen on hankalaa, tai sen teho laskee.	Polttoainesäiliössä on likaa, vettä tai vanhaa polttoainetta.	Tyhjennä polttoaineesta ja puhdista. Täytä polttoainesäiliö puhtaalla ja tuoreella polttoaineella.
	Polttoainesäiliön korkin ilma-aukko tukossa.	Puhdista tai vaihda polttoainesäiliön korkki.
	Ilmanpuhdistinelementti on likainen.	Puhdista ilmanpuhdistinelementti.
Moottorin toiminnassa on häiriöitä.	Sytytystulppa on viallinen.	Vaihda tilalle uusi sytytystulppa, jonka kärkiväli on säädetty oikein. Katso lisätietoja moottorin käyttöoppaasta.
	Sytytystulpan kärkiväli on väärä.	Säädä elektrodien kärkiväliksi 0,7–0,8 mm.
	Ilmanpuhdistinelementti on likainen.	Puhdista ilmanpuhdistinelementti. Katso lisätietoja moottorin käyttöoppaasta.
Moottorin tyhjäkäynti on heikkoa.	Ilmanpuhdistinelementti on likainen.	Puhdista ilmanpuhdistinelementti. Katso lisätietoja moottorin käyttöoppaasta.
	Moottorikotelon ilma-aukot ovat tukkeutuneet.	Poista lika aukoista.
	Moottorin tuulettimen rungon jäähdytysrivat ja ilmakanavat ovat tukkeutuneet.	Poista lika jäähdytysrivoista ja ilmakanavista.
Moottori alkaa käydä suurella nopeudella.	Sytytystulpan elektrodien kärkiväli on liian pieni.	Säädä elektrodien kärkiväliksi 0,7–0,8 mm.
Moottori ylikuumenee.	Jäähdytysilman virtaus on estynyt.	Poista mahdollinen lika moottorikotelon aukoista, puhaltimen rungosta ja ilmakanavista.
	Vääränlainen sytytystulppa.	Mallit PLM4630/PLM4631: Vaihda moottoriin RJ19LMC-sytytystulppa ja jäähdytysrivat. Mallit PLM4632/PLM5130: Vaihda moottoriin QC12YC-sytytystulppa ja jäähdytysrivat.
Ruohonleikkuri tarvitsee epänormaalisti.	Leikkaava osa on löysällä.	Kiristä terä.
	Leikkaava osa on epätasapainossa.	Tasapainota terä.

13. YMPÄRISTÖNÄKÖKOHDAT

Jos laite on tarpeen hävittää pitkän käyttöajan jälkeen, älä laita sitä talousjätteeseen vaan hävitä se ympäristön kannalta turvallisella tavalla.

Koskee vain Euroopan maita
EY-vaatimustenmukaisuusvakuutus
Vastuullinen valmistaja Makita Corporation ilmoittaa vastaavansa siitä, että seuraava(t) Makitan valmistama(t) kone(et):
Laitteen tunnistetiedot: Bensiinikäyttöinen ruohonleikkuri Mallinro/tyyppi: PLM4630, PLM4631, PLM4632, PLM5130

Tekniset tiedot: Katso luku 4 "TEKNISET TIEDOT" ovat sarjavalmisteisia ja

täyttävät seuraavien eurooppalaisten direktiivien vaatimukset:

2004/108/EY, 2006/42/EY,
2000/14/EY, 2005/88/EY

ja että ne on valmistettu seuraavien standardien tai standardoitujen asiakirjojen mukaisesti:

EN 836, EN ISO 14982

Teknisen dokumentaation ylläpidosta vastaa:

Makita International Europe Ltd.,
Technical Department,
Michigan Drive, Tongwell,
Milton Keynes, Bucks MK15 8JD, England

Direktiivissä 2000/14/EY edellytetty vaatimustenmukaisuusarviointi tehtiin liitteen VI mukaisesti.

Ilmoitettu laitos:

TÜV SÜD Industrie Service GmbH
Westendstraße 199, D-80686 München
Tunnistenumero: 0036

Malli: PLM4630, PLM4631

Mitattu äänitehotaso: 94,2 dB (A)
Taattu äänitehotaso: 96 dB (A)

Malli: PLM4632

Mitattu äänitehotaso: 94,3 dB (A)
Taattu äänitehotaso: 96 dB (A)

Malli: PLM5130

Mitattu äänitehotaso: 95,9 dB (A)
Taattu äänitehotaso: 98 dB (A)

30.11.2012



Tomoyasu Kato
Johtaja

Makita Corporation
3-11-8, Sumiyoshi-cho,
Anjo, Aichi, 446-8502, JAPAN

Kopskata skaidrojums

- | | | |
|------------------------------------|-------------------------------------|------------------------------|
| 1. Bremzes kontroles rokturis | 12. Sānu aizvars | 23. Paplāksne |
| 2. Augšējais rokturis | 13. Pamatne | 24. Bloķēšanas rokturis |
| 3. Pašpiedziņas kontroles rokturis | 14. Aizdedzes svece | 25. Piespiedējuzgrieznis |
| 4. Jaudas svira | 15. Eļļas vāciņš | 26. Leņķa regulēšanas ierīce |
| 5. Iedarbināšanas rokturis | 16. Degvielas vāciņš | 27. Poga |
| 6. Troses virzītājs | 17. Kabeļa skava | 28. Eļļas vāciņš/dzilummērs |
| 7. Bloķēšanas svira | 18. Kabeļa nostiprināšanas gredzens | 29. Maks.: augšējā robeža |
| 8. Apakšējais rokturis | 19. Ātruma regulēšanas svira | 30. Min.: apakšējā robeža |
| 9. Zāles uztvērējs | 20. Mulčēšanas ķīlis | 31. Skrūve |
| 10. Augstuma regulēšanas svira | 21. Līmeņa indikators | |
| 11. Sānu izvades kanāls | 22. Bultskrūve | |



BRĪDINĀJUMS:

Savas drošības nolūkā pirms strādāt ar jauno ierīci, lūdzu, izlasiet šo rokasgrāmatu. Ja netiek ievērotas instrukcijas, var izraisīt nopietnus savainojumus. Pirms katras lietošanas reizes veltiet brīdi, lai pārbaudītu plaujmašīnu.



Uzmanību: Karsts dzinējs.

1. UZ IZSTRĀDĀJUMA ESOŠIE SIMBOLI



Izlasiet lietošanas rokasgrāmatu.



Neļaujiet tuvumā atrasties nepiederošām personām.



Lai nepieļautu ievainojumus, lietotājam jāpievērš uzmanība kāju un roku aizsardzībai.



Degviela ir viegli uzliesmojoša; neuzturieties atklātas liesmas tuvumā. Nepildiet degvielu, kamēr mašīna darbojas.



Toksiski izgarojumi — nestrādājiet iekšelpās.



Operatoram savai aizsardzībai darba laikā jālieto aizsargbrilles un ausu aizbāžņi.



Veicot remontu, izņemiet aizdedzes sveci un veiciet remontu saskaņā ar lietošanas rokasgrāmatu.



2. VISPĀRĒJIE DARBA DROŠĪBAS NOTEIKUMI



BRĪDINĀJUMS: Lietojot ar benzīnu darbināmas ierīces, vienmēr jāievēro drošības norādījumi, tostarp turpmāk minētie, lai mazinātu nopietnu ievainojumu un/vai iekārtas bojājumu risku. Pirms ierīces lietošanas izlasiet šos norādījumus un saglabājiet tos arī turpmākām uzziņām.



BRĪDINĀJUMS: Šī mašīna ekspluatācijas laikā rada elektromagnētisko lauku. Atsevišķos gadījumos šis lauks var ietekmēt aktīvos vai pasīvos medicīniskos implantātus. Lai samazinātu nopietnu vai nāvīgu ievainojumu risku, personām ar medicīniskiem implantātiem pirms mašīnas lietošanas mēs iesakām konsultēties ar savu ārstu un medicīnisko implantātu ražotāju.

Apmācība

- Uzmanīgi izlasiet norādījumus. Iepazīstieties ar ierīces vadības iekārtām un pareizu izmantošanu.
- Nepieļaujiet, ka zāles plaujmašīnu izmanto bērni vai cilvēki, kas nepārzina zāles plaujmašīnas izmantošanas norādījumus. Vietējie noteikumi var ierobežot lietotāja vecumu.
- Nekad neļaujiet, ja tuvumā ir cilvēki, jo īpaši bērni, vai dzīvnieki.
- Ņemiet vērā, ka operators vai lietotājs ir atbildīgs par negadījumiem vai apdraudējumu, kas radīts citiem cilvēkiem vai to īpašumam.

Sagatavošana

- Veicot zāles plaušanu, vienmēr valkājiet izturīgus apavus un garās bikses. Nelietojiet ierīci, ja kājās nav apavi vai valkājāt atvērtas sandales.

- Rūpīgi pārbaudiet vietu, kurā izmantosit aprīkojumu un novāciet visus priekšmetus, ko mašīna varētu izkustināt.
- BRĪDINĀJUMS — benzīns ir ļoti viegli uzliesmojošs.
 - glabājiet degvielu tai īpaši paredzētās tvertnēs;
 - uzpildiet degvielu tikai ārpus telpām un pildīšanas laikā nesmēķējiet;
 - degvielu uzpildiet pirms dzinēja iedarbināšanas. Nekādā gadījumā nenovietojiet degvielas tvertnes vāciņu vai neuzpildiet degvielu, kad dzinējs darbojas vai kad tas ir karsts;
 - ja degviela ir izšakstījusies, neiedarbiniet dzinēju, bet gan pārvietojiet mašīnu prom no vietas, kur degviela ir izšakstījusies, un neveidojiet uzliesmojošus avotus, kamēr benzīna izgarojumi nav izzuduši;
 - cieši novietojiet atpakaļ degvielas vāciņu un tvertņu vāciņus.
- Nomainiet bojātus klusinātājus.
- Pirms izmantošanas vienmēr vizuāli pārbaudiet, vai asmeņi, asmeņu bultskrūves un griešanas ierīce nav nodilusi vai bojāta. Lai saglabātu līdzsvaru, nomainiet visu bojātu asmeņu un bultskrūvju komplektu.

Ekspluatācija

- Nedarbiniet dzinēju norobežotā vietā, kur var uzkrāties bīstami oglekļa monoksīda izgarojumi.
- Plaujiet tikai dienas gaismā vai labā maksīgā apgaismojumā.
- Kur iespējams, nelietojiet aprīkojumu mitrā zālē.
- Strādājot nogāzē, nodrošiniet stabilu kāju atbalstu.
- Pārvietojieties staigājot, nevis skrienot.
- Izmantojot grozāmu mašīnu ar riteņiem, plaujiet slīpi pāri nogāzei — nekad nepļaujiet uz augšu vai uz leju.
- Mainot virzienu nogāzēs, esiet īpaši uzmanīgi.
- Nepļaujiet pārāk stāvas nogāzes.
- Esiet īpaši uzmanīgi, apgriezot zāles plaujmašīnu vai velkot to pret sevi.
- Apturiet asmeni/-ņus, ja zāles plaujmašīna ir jāsagāž, pārvietojot vai šķērsojot segumu, kas nav zāle, kā arī pārvietojot zāles plaujmašīnu uz plaušanas vietu un no tās.
- Nekad nelietojiet zāles plaujmašīnu ar bojātiem aizsargiem, vai ja nav uzstādītas drošības ierīces, piemēram, deflektors un/vai zāles uztvērējs.
- Nomainiet dzinēja uzstādījumus vai nedarbiniet to ar pārlieku lieliem apgriezieniem.
- Pirms dzinēja iedarbināšanas atbrīvojiet visas asmens un piedziņas uzsmavas.
- Dzinēju iedarbiniet uzmanīgi, saskaņā ar norādījumiem un nestāviet asmens/-ņu tuvumā.
- Iedarbinot dzinēju, nesasveriet zāles plaujmašīnu.
- Neiedarbiniet dzinēju, ja stāvat izvades teknes tuvumā.
- Nelieciet plaukstas vai pēdas rotējošo detaļu tuvumā vai zem tām. Nekad nestāviet izvades atveres tuvumā.
- Nekad neceliet un nenesiet zāles plaujmašīnu, ja darbojas dzinējs.
- Apturiet dzinēju un atvienojiet aizdedzes sveces vadu; pārbaudiet, vai visas kustīgās daļas ir pilnībā apstājušās un, ja ierīkota atslēga, to noņemiet:
 - pirms nosprostojumu tīrīšanas vai izvades teknes tīrīšanas;

- pirms zāles plaujmašīnas pārbaudīšanas, tīrīšanas vai strādāšanas ar to;
 - pēc atsišanās pret kādu priekšmetu. Pārbaudiet, vai zāles plaujmašīnai nav bojājumu un veiciet remontu pirms zāles plaujmašīnas atkārtotas iedarbināšanas un lietošanas;
 - ja zāles plaujmašīna sāk neparasti vibrēt (nekvēloties pārbaudiet).
- Apturiet dzinēju un atvienojiet aizdedzes sveces vadu; pārbaudiet, vai visas kustīgās daļas ir pilnībā apstājušās un, ja ierīkota atslēga, to noņemiet:
 - ja atstājat zāles plaujmašīnu bez uzraudzības,
 - pirms degvielas uzpildes.
 - Apturot dzinēju, samaziniet droseles iestatījumu un, ja dzinējs ir apstājies ar izslēgšanas vārstu, plaušanas beigās izslēdziet degvielas padevi.

Apkope un uzglabāšana

- Vienmēr cieši pieskrūvējiet visus uzgriežņus, bultskrūves un skrūves, lai nodrošinātu iekārtas drošu darba stāvokli.
- Nekad neuzglabājiet ierīci ar benzīnu tvertnē ēkā, kur izgarojumi var saskarties ar atklātu liesmu vai dzirkstelēm.
- Pirms ierīces uzglabāšanas noslēgtā vietā ļaujiet dzinējam atdzist.
- Lai mazinātu ugunsgrēka bīstamību, no dzinēja, klusinātāja, akumulatora nodalījuma un benzīna glabāšanas vietas vienmēr iztīriet zāli, lapas vai lielus neītrumus.
- Regulāri pārbaudiet, vai zāles uztvērējs nav nodilis vai nolietojies.
- Drošības nolūkā nomainiet nodilušas vai nolietotas daļas.
- Ja ir jāizteicina degvielas tvertne, tas jādara ārpus telpām.



BRĪDINĀJUMS: Nepieskarieties rotējošam asmenim.



BRĪDINĀJUMS: Veiciet degvielas uzpildi labi vēdinātā vietā, kad dzinējs ir izslēgts.

3. DAĻU APRAKSTS (1. att., 2. att., 3. att., 4. att.)

Iekļauts komplektā:

A: Aizdedzes sveces uzgriežņu atslēga

4. TEHNISKIE DATI

Modelis	PLM4630	PLM4631	PLM4632	PLM5130
Dzinēja tips	Sērija B&S 675EX, ReadyStart	Sērija B&S 675EX, ReadyStart	Sērija B&S 750EX, ReadyStart	Sērija B&S 750EX, ReadyStart
Pašpiedziņas	Nē	Jā	Jā	Jā
Dzinēja darba tilpums	190 cm ³	190 cm ³	161 cm ³	161 cm ³
Asmens platums	460 mm	460 mm	460 mm	510 mm
Nominālais ātrums	2 800/min	2 800/min.	2 800/min.	2 800/min.
Degvielas tvertnes tilpums	1,0 l	1,0 l	1,0 l	1,0 l
Eļļas tvertnes tilpums	0,6 l	0,6 l	0,6 l	0,6 l
Zāles uztvērēja ietilpība	60 l	60 l	60 l	65 l
Neto svars	31,5 kg	34 kg	35 kg	38 kg
Augstuma regulēšana	20-75 mm, 8 stāvokļi	20-75 mm, 8 stāvokļi	20-75 mm, 8 stāvokļi	20-75 mm, 8 stāvokļi

	PLM4630	PLM4631	PLM4632	PLM5130
Skaņas spiediena līmenis lietotāja atrašanās vietā (atbilstīgi EN ISO 3744, EN ISO 4871)	83,5 dB (A) (K=3 dB (A))	83,5 dB (A) (K=3 dB (A))	83,9 dB (A) (K=3 dB (A))	85,7 dB (A) (K=3 dB (A))
Novērtētais skaņas jaudas līmenis	94,2 dB (A) K=1,95 dB (A)	94,2 dB (A) K=1,95 dB (A)	94,3 dB (A) K=1,80 dB (A)	95,9 dB (A) K=2,16 dB (A)
Garantētais skaņas jaudas līmenis (atbilstīgi 2000/14/EK)	96 dB (A)	96 dB (A)	96 dB (A)	98 dB (A)
Vibrācija (atbilstīgi EN ISO 20643)	6,58 m/s ² K=1,5 m/s ²	6,58 m/s ² K=1,5 m/s ²	7,12 m/s ² K=1,5 m/s ²	6,53 m/s ² K=1,5 m/s ²

5. MONTĀŽA

5-1 SALOKĀMĀ ROKTURA MONTĀŽA

- Ar bultskrūvi, paplāksni un bloķēšanas rokturi piestipriniet apakšējo stieni pie roktura kronšteina. **(5. att.)**
- Paceliet divas bloķēšanas sviras, lai savienotu augšējo un apakšējo rokturi. **(6. att.)**
- Nospiežot aizveriet bloķēšanas sviru, lai bloķētu stieņu darba stāvoklī. **(7. att.)**
- Noregulējiet nospriegumu, pagriežot piespiedējuzgriezni ar piemērotu uzgriežņu atslēgu. **(8. att.)**
- Novietojiet kabeli pāri roktura asij. Ar kabelja skavu piestipriniet kabeli apakšējā roktura vidusdaļā tā, lai kabelis ir piestiprināts roktura ārpusē. **(9. att., 10. att.)** Pretējā gadījumā kabelis var iesprūst, atverot/aizverot aizmugures vāku.

5-2 PIEMĒROTA LENĶA NOREGULĒŠANA

- Pavelciet bloķēšanas sviras atvērumu.
- Pagrieziet augšējo rokturi, kas atrodas lenķa regulēšanas ierīces centrā, lai noregulētu piemērotu lenķi -15° līdz 15° diapazonā (3. stāvoklis: -15°/0°/15°), kā parādīts **11. att.**
- Nospiežot aizveriet bloķēšanas sviru, lai savienotu augšējo rokturi un apakšējo rokturi.

5-3 ZĀLES UZTVĒRĒJA PIESTIPRINĀŠANA UN NOŅĒMŠANA

- Lai uzstādītu: paceliet aizmugures vāku un piestipriniet zāles uztvērēju pie pļaujmašīnas aizmugures. **(12. att., 13. att., 14. att.)**
- Lai noņemtu: satveriet un paceliet aizmugures vāku un noņemiet zāles uztvērēju.

5-4 IEDARBINĀŠANAS ROKTURIS

Virziet iedarbināšanas rokturi no dzinēja pie troses virzītāja. **(15. att.)**

5-5 PĻAUŠANAS DZIĻUMS

Lai atbrīvotu sviru no rāmja, nospiediet to uz ārpusi. Virziet sviru uz priekšu vai aizmuguri, lai noregulētu augstumu. **(16. att., kā arī skatiet 7.-9. punktu.)**

6. FUNKCIJA

Zāles pļaujmašīnas sākotnējo funkciju var pārveidot uz citu funkciju atkarībā no izmantošanas mērķa. Zāles pļaujmašīnu ar aizmugures savākšanu iespējams pārveidot uz:

- pļaujmašīnu ar mulčēšanu vai
- pļaujmašīnu ar sānu izvadi.

Kas ir mulčēšana?

Veicot mulčēšanu, zāle vispirms tiek nopļauta, pēc tam sasmalcināta un kā dabiskais mēslojums iestrādāta atpakaļ zālienā.

Padomi pļaušanai ar mulčēšanu:

- regulāri pļaujiet maks. 2 cm no 6 cm līdz 4 cm garas zāles;

- izmantojiet asu griešanas nazi;
- nepļaujiet mitru zāli;
- iestatiet maksimālo motora ātrumu;
- pļaujiet darba ātrumā;
- regulāri tīriet mulčēšanas ķīli, korpusa iekšpusi un pļaušanas asmeni.

Ekspluatācijas sākšana

6-1 Pārveidošana par pļaujmašīnu ar mulčēšanu



BRĪDINĀJUMS: Tikai ar izslēgtu motoru un nekustīgu griešanas ierīci.

1. Paceliet aizmugures vāku un noņemiet zāles uztvērēju.
2. Ievietojiet mulčēšanas ķīli pamatnē. Ar pogu nostipriniet mulčēšanas ķīli pamatnes atvērumā. (**17. att., 18. att.**)
3. Aiztaisiet aizmugures vāku. (**19. att.**)
4. Paceliet sānu aizvaru un noņemiet sānu izvades kanālu.

6-2 Pārveidošana par pļaujmašīnu ar sānu izvadi



Tikai ar izslēgtu motoru un nekustīgu asmeni!

1. Paceliet aizmugures vāku un noņemiet zāles uztvērēju.
2. Piestipriniet mulčēšanas ķīli.
3. Paceliet sānu aizvaru sānu izvadei. (**20. att.**)
4. Piestipriniet sānu izvades kanālu sānu izvadei pie sānu aizvara atbalsta tapas. (**21. att.**)
5. Nolaidiet sānu aizvaru tā, lai tas atrodas uz sānu izvades kanāla. (**22. att.**)

6-3 Pļaušana ar zāles uztvērēju



Tikai ar izslēgtu dzinēju un nekustīgu griešanas ierīci.

Lai pļautu ar zāles uztvērēju, noņemiet mulčēšanas ķīli un sānu izvades kanālu sānu izvadei, kā arī piestipriniet zāles uztvērēju.

1. Mulčēšanas ķīļa noņemšana.
 - Paceliet aizmugures vāku un noņemiet mulčēšanas ķīli.
2. Sānu izvades kanāla sānu izvadei noņemšana.
 - Paceliet sānu aizvaru un noņemiet sānu izvades kanālu.
 - Sānu aizvars automātiski ar atsperes mehānismu aizver izvades atveri korpusā.
 - No sānu aizvara un izvades atveres regulāri notīriet zāles pārpalikumus un pieķērušos netīrumus.
3. Zāles uztvērēja piestiprināšana.
 - Lai uzstādītu: paceliet aizmugures vāku un piestipriniet zāles uztvērēju pie pļaujmašīnas aizmugures.
 - Lai noņemtu: satveriet un paceliet aizmugures vāku un noņemiet zāles uztvērēju.

7. EKSPLUATĀCIJAS NORĀDĪJUMI

7-1 PIRMS DARBA SĀKŠANAS

Piepildiet pļaujmašīnu ar benzīnu un eļļu, kā norādīts atsevišķā dzinēja rokasgrāmatā, kas pievienota pļaujmašīnai. Rūpīgi izlasiet norādījumus. (**23. att., 24. att., 25. att., 26. att.**)



BRĪDINĀJUMS: Benzīns ir ļoti viegli uzliesmojošs.

Uzglabājiet degvielu tai īpaši paredzētās tvertnēs. Uzpildiet degvielu tikai ārpus telpām, pirms dzinēja iedarbināšanas; pildot vai pārvietojot degvielu nesmēķējiet.

Nekādā gadījumā nenovietojiet degvielas tvertnes vāciņu vai neuzpildiet degvielu, kad dzinējs darbojas vai kad tas ir karsts.

Ja degviela ir izšķakstījusies, neiedarbiniet dzinēju, bet gan pārvietojiet mašīnu prom no vietas, kur degviela ir izšķakstījusies, un neveidojiet uzliesmojošus avotus, kamēr benzīna izgarojumi nav izzuduši.

Cieši novietojiet atpakaļ degvielas vāciņu un tvertņu vāciņus.

Pirms savērt zāles pļaujmašīnu, lai veiktu asmens apkopi vai iztecinātu eļļu, atbrīvojiet tvertni no degvielas.



BRĪDINĀJUMS: Nekad nepildiet degvielas tvertni iekštelpās, ar ieslēgtu dzinēju, vai kamēr dzinējs pēc ekspluatācijas nav atdzisis vismaz 15 minūtes.

7-2 DZINĒJA IEDARBINĀŠANA UN ASMENS PALAIŠANA

1. Ierīcei virs aizdedzes sveces gala atrodas gumijas apvalks. Pārbaudiet, vai metāla cilpa aizdedzes sveces vada galā (gumijas apvalka iekšpusē) ir cieši piestiprināta virs aizdedzes sveces metāla uzgaļa.
2. Iedarbinot aukstu dzinēju, pagrieziet jaudas sviru stāvoklī „☁”.
Iedarbinot uzsildītu dzinēju un sākot ar to strādāt, pagrieziet droseles jaudas sviru stāvoklī „☁”.
(**27. att.**)
3. Stāvat aiz ierīces, satveriet bremzes kontroles rokturi un turiet to pret augšējo rokturi, kā parādīts **28. att.**
4. Satveriet iedarbināšanas rokturi, kā parādīts **28. att.**, un strauji to pavelciet. Pēc dzinēja iedarbināšanas lēnām to novietojiet atpakaļ pie troses virzītāja skrūves.

Lai apturētu dzinēju un asmeni, atlaidiet bremzes kontroles rokturi.



Dzinēju iedarbiniet uzmanīgi, saskaņā ar norādījumiem un nestāviet asmens tuvumā.



Iedarbinot dzinēju, nesatveriet zāles pļaujmašīnu. Pļaujmašīnu iedarbiniet uz līdzenas virsmas, uz kuras nav zāles vai priekšmetu.



Netuviniet rokas un kājas rotējošām daļām. Neiedarbiniet dzinēju, ja stāvat izvades teknes atvēruma tuvumā.

7-3 EKSPLOATĀCIJAS PROCEDŪRAS

Ekspluatācijas laikā ar abām rokām cieši turiet bremzes kontroles rokturi.

Piezīme: Atlaižot bremzes kontroles rokturi ekspluatācijas laikā, dzinējs apstāsies, un zāles pļaujmašīna nedarbosies.

7-4 DZINĒJA APTURĒŠANA



UZMANĪBU: Pēc dzinēja izslēgšanas asmens turpina griezties vairākas sekundes.

1. Lai apturētu dzinēju un asmeni, atlaidiet bremzes kontroles rokturi. **(29. att.)**
2. Atvienojiet un iezemējiet aizdedzes sveces vadu, kā norādīts atsevišķā dzinēja rokasgrāmatā, lai nepieļautu dzinēja nejaušu iedarbināšanu, kad ierīce atstāta bez uzraudzības.

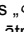
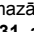
7-5 SAVIENOJUMS AUTOMĀTISKAI KUSTĪBAI

Attiecas uz PLM4631

Satverot pašpiedziņas kontroles rokturi, zāles pļaujmašīna automātiski virzīsies uz priekšu ar ātrumu apmēram 3,6 km/h **(30. att.)**. Ja atlaidīsiet slēdža rokturi, zāles pļaujmašīna apstāsies.

Attiecas uz PLM4632, PLM5130

Pļaujmašīna ir aprīkota ar ātruma regulēšanas sistēmu, ko var noregulēt vienā no 3 ātrumiem, sākot no 3,0 km/h līdz 4,5 km/h.

Stāvvoklis „”: mazākais ātrums. Stāvvoklis „”: lielākais ātrums. **(31. att.)**

Rīkojieties šādi:

1. Atlaidiet pašpiedziņas kontroles rokturi, līdz zāles pļaujmašīna vairs nevirzās uz priekšu.
2. Noregulējiet nepieciešamajā ātrumā. **(31. att.)**
3. Satveriet pašpiedziņas kontroles rokturi, lai sāktu pļaut. **(30. att.)**



UZMANĪBU: Pļaujmašīna ir paredzēta normāla garuma dzīvojamās zonas zāles, kas nav garāka par 250 mm, pļaušanai.

Nemēģiniet pļaut ļoti garu sausu vai mitru zāli (piemēram, ganībās) vai sausu lapu kaudzē. Neīrūmi var uzkrāties uz pļaujmašīnas pamatnes var saskarties ar dzinēja izplūdes gāzēm, radot potenciālu ugunsgrēka bīstamību.

7-6 LABĀKIEM PĻAUŠANAS REZULTĀTIEM

Atīrīiet mauriņu no neīrūmiem — no mauriņa novāciet akmeņus, žaģarus, stieples un citus priekšmetus, ko pļaujmašīna varētu nejauši aizmest kādā virzienā un izraisīt nopietnus ievainojumus lietotājam un citām personām, kā arī bojāt īpašumu un apkārtējos objektus. Neplaujiet mitru zāli. Lai pļaušana būtu efektīva, neplaujiet mitru zāli, jo tā pielīp pie pamatnes apakšas, neļaujot pareizi veikt zāles atgriezumus pļaušanu. Neplaujiet vairāk nekā 1/3 no zāles garuma — ieteicamais zāles garums pļaušanai ir 1/3 no zāles garuma. Nepieciešams noregulēt pamata ātrumu tā, lai nopļauto zāli varētu vienmērīgi izkaisīt pa mauriņu. Pļaujot sevišķi garu un biezu zāli, var būt nepieciešams izmantot vienu

no zemākajiem ātrumiem, lai nodrošinātu vienmērīgu pļaušanu. Pļaujot garu zāli, mauriņu var būt nepieciešams pļaut divas reizes, otro reizi nolaižot asmeni vēl par 1/3 zemāk no zāles garuma, kā arī, iespējams, pļaujot atšķirīgā virzienā nekā pirmo reizi. Katru reizi pļaujot nedaudz pāri iepriekšējai pļaušanas vietai, iespējams arī novākt zāles atgriezumus, kas var būt palikuši uz mauriņa. Pļaujmašīna vienmēr jādarbina pilnā jaudā, lai iegūtu labāko zāles griezumumu un nodrošinātu vislabāko pļaušanu. Notīriet pamatnes apakšu — pēc katras izmantošanas reizes notīriet pļaušanas pamatnes apakšu, lai novērstu zāles sakrāšanos, kas neatļaus pareizi veikt mulčēšanu. Lapu pļaušana — lapu pļaušana var būt labvēlīga mauriņam. Pļaujot lapas, pārbaudiet, vai tās ir sausas un uz zālāja nav pārāk biezs slānis. Negaidiet, kamēr no kokiem nokrītīs visas lapas, pirms veikt pļaušanu.



BRĪDINĀJUMS: Ja pļaujmašīna atsitas pret kādu priekšmetu, apturiet dzinēju. No aizdedzes sveces noņemiet vadu, rūpīgi pārbaudiet, vai pļaujmašīnai nav bojājumu un, pirms atkal iedarbināt un lietot pļaujmašīnu, novērsiet bojājumus. Pārmērīga pļaujmašīnas vibrācija ekspluatācijas laikā liecina par bojājumiem. Nekavējoties pārbaudiet ierīci un salabojiet.

7-7 ZĀLES UZTVĒRĒJS

Zāles uztvērēja augšpusē atrodas līmeņa indikators, kas norāda, vai uztvērējs ir tukšs vai pilns **(32. att., 33. att.)**:

- Līmeņa indikators paceļas, ja uztvērējs pļaušanas laikā nav pilns. **(33. att.)**
- Ja zāles uztvērējs ir pilns, indikators nolaižas. Ja tā notiek, nekavējoties pārtrauciet pļaušanu un iztukšojiet uztvērēju, pārlicinieties, vai tas ir tīrs un pārbaudiet, vai tas tiek vēdināts. **(32. att.)**

SVARĪGI

Ja indikatora atvēruma vieta ir ļoti netīra, indikators nepacelsies – šādā gadījumā nekavējoties notīriet indikatora atvēruma vietu.

7-8 PAMATNE

Pēc katras izmantošanas reizes notīriet pļaujmašīnas pamatnes apakšu, lai novērstu zāles, lapu, neīrūmu un citu vielu sakrāšanos. Ja ļauj sakrāties neīrūmiem, tas veicina rūsu un koroziju, un neļaus pareizi veikt mulčēšanu. Pamatni var notīrīt, pļaujmašīnu sagāžot un notīrot ar piemērotu instrumentu (pārbaudiet, vai aizdedzes sveces vads ir atvienots).

7-9 NORĀDĪJUMI AUGSTUMA REGULĒŠANAI



UZMANĪBU: Nekad neregulējiet zāles pļaujmašīnu, ja vispirms nav apturēts dzinējs un atvienots aizdedzes sveces vads.



UZMANĪBU: Pirms pļaušanas augstuma maiņas apturiet pļaujmašīnu un atvienojiet aizdedzes sveces vadu.

Pļaujmašīnai ir centrālā augstuma regulēšanas svira ar 8 augstuma stāvokļiem.

Augstumu (asmens attālumu no zemes) var regulēt no 20 mm līdz 75 mm (8 augstuma stāvokļos). (34. att.)
Zemākais stāvoklis: 20 mm (1. stāvoklis); augstākais stāvoklis: 75 mm (8. stāvoklis).

1. Pirms pļaušanas augstuma maiņas apturiet pļaujmašīnu un atvienojiet aizdedzes sveces vadu.
2. Centrālajai augstuma regulēšanas svirai ir 8 dažādi augstuma stāvokļi. (34. att.)

Lai mainītu pļaušanas stāvokli, velciet regulēšanas sviru pret rīteni, virzot sviru uz augšu vai leju, lai izvēlētos augstumu.

8. TEHNISKĀS APKOPES NORĀDĪJUMI

AIZDEDZES SVECE

Izmantojiet tikai oriģinālo rezerves aizdedzes sveci. Labākiem rezultātiem nomainiet aizdedzes sveci pēc katrām 100 lietošanas stundām.

9. NORĀDĪJUMI EĻĻOŠANAI



UZMANĪBU: VIENMĒR PIRMS APKOPES VEIKŠANAS ATVIENOJIET AIZDEDZES SVECI.

1. RĪTENI — vismaz reizi sezonā ar zemas viskozitātes eļļu ieeļļojiet katru rīteņa lodīšu gultņus.
2. DZINĒJS — norādījumus eļļošanai meklējiet dzinēja rokasgrāmatā.

10. TĪRĪŠANA



UZMANĪBU: Neskalojiet dzinēju ar šļūteni. Ūdens var sabojāt dzinēju un piesārņot degvielas sistēmu.

1. Noslaukiet pamatni ar sausu lupatīti.
2. Noskalojiet pamatnes apakšu ar šļūteni, sagāžot pļaujmašīnu tā, lai aizdedzes svece atrodas augšā.

10-1 DZINĒJA GAISA FILTRS



UZMANĪBU: Neļaujiet netīrumiem vai putekļiem aizsprostot gaisa filtra filtrējošo elementu. Gaisa filtra elementam jāveic apkope (jātīra) pēc 25 stundām pļaušanas normālos apstākļos. Filtrējošam elementam regulāri jāveic apkope, ja pļaujmašīnu izmanto sausos, putekļainos apstākļos.

GAISA FILTRA TĪRĪŠANA

1. Atskrūvējiet skrūvi. (35. att. attiecas uz PLM4632 un PLM5130)
2. Izņemiet bloķēšanas rokturi. (36. att. attiecas uz PLM4630 un PLM4631)
3. Noņemiet filtra pārsegu.
4. Nomazgājiet filtra elementu ziepjūdenī.
NEIZMANTOJIET BENZĪNU!
5. Filtra elementu nožāvējiet ar gaisu.
6. Uzplīniet dažas lāses SAE30 eļļas uz filtra un cieši saspiediet, lai atbrīvotos no liekās eļļas.
7. Atlieciet filtru atpakaļ.

PIEZĪME: Nomainiet filtru, ja tas ir nodilis, bojāts vai to nevar notīrīt.

10-2 GRIEZĒJASMENS



UZMANĪBU: Lai nepieļautu dzinēja netaisnu iedarbināšanu, pirms sākt darbu ar griezējasmēni atvienojiet un iezemējiet aizdedzes sveces vadu. Izmantojiet biezus cimdus, lai aizsargātu rokas, satverot griezējasmēni. Sašķiebiet pļaujmašīnu, kā norādīts atsevišķajā dzinēja rokasgrāmatā. Atskrūvējiet seššķautņņu bultskrūvi un paplāksni, kas piestiprina asmeni un asmens turētāju pie dzinēja klokvārpstas. Noņemiet asmeni un turētāju no klokvārpstas.



BRĪDINĀJUMS: Regulāri pārbaudiet, vai asmens turētājam nav plaisu, jo īpaši, ja pļaujmašīna atsitas pret kādu priekšmetu. Ja nepieciešams, nomainiet. Lai iegūtu labākus rezultātus, asmenim ir jābūt asam. Asmeni var atkārtoti uzasināt, to noņemot un griezējmalu noslīpējot vai novilējot, pēc iespējas ievērojot sākotnējo leņķi. Ļoti svarīgi ir nodrošināt, lai visas griezējmalas būtu vienādi noslīpētas, lai nepieļautu nebalansētu asmens izveidošanos. Nepareizi balansēts asmens radīs pārmērīgu vibrāciju, kas var izraisīt bojājumus dzinējam un pļaujmašīnai. Pēc uzasināšanas rūpīgi balansējiet asmeni. Asmens balansu var pārbaudīt, to balansējot uz apaļas skrūvgrieža ass. Noņemiet metālu no smagākās puses, līdz asmens ir balansā. (37. att.)

Pirms asmens un asmens adaptera piestiprināšanas pie ierīces, ar zemas viskozitātes eļļu ieeļļojiet dzinēja klokvārpstu un asmens turētāja iekšējo virsmu. Piestipriniet asmens turētāju pie klokvārpstas. Skatiet 37. att. Novietojiet asmeni tā, lai daļas numurs neatrodas turētāja pusē. Novietojiet paplāksni virs asmens un ievietojiet seššķautņņu bultskrūvi. Pieskrūvējiet seššķautņņu bultskrūvi atbilstoši šeit norādītajam griezes momentam.

10-3 ASMENS PIESTIPRINĀŠANAS GRIEZES MOMENTS

Centrālā bultskrūvē jāpieskrūvē ar 40 Nm - 50 Nm griezes momentu, lai nodrošinātu virsies drošu ekspluatāciju. Regulāri jāpārbauda, vai visi uzgriežņi un bultskrūves ir pareizi pieskrūvētas.

Pēc ilgstošas lietošanas, jo īpaši, ja augsne ir smilšaina, asmens nodils, un tam vairs nebūs sākotnējās formas. Pļaušanas efektivitāte būs samazināta, tādēļ asmens ir jānomaina. Nomainiet tikai pret apstiprinātas rūpnīcas rezerves asmeni. Ražotājs neuzņemas atbildību par iespējamam bojājumiem, kas radušies no nebalansēta asmens.

Nomainiet asmeni, izmantojiet oriģinālo tipu, kas norādīts uz asmens (MAKITA 263001451, kas paredzēts PLM4630/PLM4631/PLM4632, MAKITA 263002552, kas paredzēts PLM5130). (Lai pasūtīnātu asmeni, lūdzu, sazinieties ar vietējo izplatītāju vai zvaniet mūsu uzņēmumam; skatiet vāku.)

10-4 DZINĒJS

Dzinēja apkopes norādījumus skatiet atsevišķā dzinēja rokasgrāmatā.

Piepildiet eļļu, kā norādīts atsevišķā dzinēja rokasgrāmatā, kas pievienota pļaujmašīnai. Rūpīgi izlasiet un izpildiet norādījumus.

Gaisa filtru apkopiet, kā norādīts atsevišķā dzinēja rokasgrāmatā attiecībā uz normāliem apstākļiem. Sevišķi putekļainos apstākļos tīriet ik pēc dažām stundām. Slikts dzinēja sniegums un pārplūšana parasti liecina, ka gaisa filtram nepieciešama apkope. Lai veiktu apkopi gaisa filtram, skatiet atsevišķu dzinēja rokasgrāmatu, kas pievienota pļaujmašīnai. Aizdedzes svece jātīra un sprauga jāregulē reizi sezonā. Aizdedzes sveci ieteicams nomainīt katras pļaušanas sezonas sākumā — dzinēja rokasgrāmatā nosakiet pareizo sveces tipu un spraugas tehniskos datus. Dzinēju regulāri tīriet ar lupatīņu vai birstīti. Dzesēšanas sistēmu (pūtējventilatora korpusa zonu) uzturiet tīru, lai nodrošinātu pietiekamu gaisa cirkulāciju, kas ir nepieciešama dzinēja sniegumam un kalpošanas ilgumam. No klusinātāja zonas noņemiet zāli, netīrumus un viegli uzliesmojošus materiālus.

11. NORĀDĪJUMI GLABĀŠANAI (PĒC SEZONAS BEIGĀM)

Lai zāles pļaujmašīnu sagatavotu glabāšanai, jāveic šādi pasākumi.

1. Pēc pēdējās pļaušanas reizes sezonā iztukšojiet tvertni.
 - a) Degvielas tvertni iztukšojiet ar sūcēsūkni.



UZMANĪBU: Neizlejiēt benzīnu slēgtās telpās, tuvu atklātai ugunij u. c. Nesmēķējiet! Benzīna izgarojumi var izraisīt eksploziju vai ugunsgrēku.

- b) Iedarbiniet dzinēju un ļaujiet tam darboties, līdz ir izlietots atlikušais benzīns un tas apstājas.
 - c) Izņemiet aizdedzes sveci. Izmantojiet eļļas kannu, lai iepildītu 20 ml eļļas degkamerā. Iedarbiniet starteri, lai degkamerā vienmērīgi sadalītu eļļu. Nomainiet aizdedzes sveci.
2. Uzmanīgi notīriet un ieeļļojiet zāles pļaujmašīnu, kā aprakstīts iepriekš sadaļā „NORĀDĪJUMI EĻĻOŠANAI!”.
 3. Viegli ieeļļojiet griešanas ierīci, lai novērstu koroziju.
 4. Uzglabājiet zāles pļaujmašīnu sausā, tīrā un no sala aizsargātā vietā, kur nevar iekļūt nepiederošas personas.



UZMANĪBU: Pirms zāles pļaujmašīnas novietošanas glabāšanā ļaujiet dzinējam pilnībā atdzist.



PIEZĪME:

- Ja mehanizētās ierīces glabājat nevēdināmā telpā vai materiālu glabāšanas noliktavā,
- ierīcēm nepieciešams nodrošināt aizsardzību pret rūsū. Pārklājiet ierīci, jo sevišķi tās kabelus un kustīgās daļas, ar zemas viskozitātes eļļu vai silikonu.
- Uzmanieties, lai nesaliektu un nesamezglotu kabelus.
- Ja iedarbināšanas trosē atvienojas no troses virzītāja uz roktura, atvienojiet un iezemējiet aizdedzes sveces vadu, nospiediet asmens kontroles rokturi un lēnām

izvelciet iedarbināšanas trosi ārā no dzinēja. Ievietojiet iedarbināšanas trosi troses virzītāja skrūvē uz roktura.

Transportēšana

Izslēdziet dzinēju. Stumjot zāles pļaujmašīnu pāri šķēršļiem, nesabojājiet griešanas ierīci.

12. PROBLĒMU NOVĒRŠANA

PROBLĒMA	IESPĒJAMAIS CĒĻONIS	PROBLĒMAS NOVĒRŠANA
Dzinējs nesāk darboties	Drosejaizbīdnis neatrodas apstākļiem atbilstošā stāvoklī	Pārvietojiet drosejaizbīdni pareizā stāvoklī
	Degvielas tvertne ir tukša	Iepildiet tvertnē degvielu — skatiet DZINĒJA LIETOTĀJA ROKASGRĀMATU
	Gaisa filtra elements ir netīrs	Notīriet gaisa filtra elementu — skatiet DZINĒJA LIETOTĀJA ROKASGRĀMATU
	Aizdedzes svece ir vaļīga	Pieskrūvējiet aizdedzes sveci ar 25–30 Nm
	Aizdedzes sveces vads ir vaļīgs vai atvienojies no sveces	Pievienojiet aizdedzes sveces vadu pie aizdedzes sveces
	Aizdedzes sveces sprauga nav pareiza	Spraugu starp elektrodiem noregulējiet no 0,7 līdz 0,8 mm
	Aizdedzes svece ir bojāta	Uzstādiet jaunu sveci ar pareizu spraugas attālumu — skatiet DZINĒJA LIETOTĀJA ROKASGRĀMATU
	Karburatorā ir pārplūdusi degviela	Izņemiet gaisa filtra elementu un nepārtraukti velciet iedarbināšanas trosi, līdz karburators ir attīrīts; pēc tam atlieciet atpakaļ gaisa filtra elementu
	Bojāts aizdedzes modulis	Sazinieties ar servisa pārstāvi
Dzinēju ir grūti iedarbināt, vai tas zaudē jaudu	Degvielas tvertnē ir netīrumi, ūdens vai sastāvējusies degviela	Izteciniet degvielu un iztīriet tvertni. Piepildiet tvertni ar tīru, svaigu degvielu
	Degvielas tvertnes vāciņa ventilācijas atvere ir nosprostota	Iztīriet vai nomainiet degvielas tvertnes vāciņu
	Gaisa filtra elements ir netīrs	Notīriet gaisa filtra elementu
Dzinējs darbojas ar pārtraukumiem	Aizdedzes svece ir bojāta	Uzstādiet jaunu sveci ar pareizu spraugas attālumu — skatiet DZINĒJA LIETOTĀJA ROKASGRĀMATU
	Aizdedzes sveces sprauga nav pareiza	Spraugu starp elektrodiem noregulējiet no 0,7 līdz 0,8 mm
	Gaisa filtra elements ir netīrs	Notīriet gaisa filtra elementu — skatiet DZINĒJA LIETOTĀJA ROKASGRĀMATU
Vāji dzinēja tukšgaitas apgriezieni	Gaisa filtra elements ir netīrs	Notīriet gaisa filtra elementu — skatiet DZINĒJA LIETOTĀJA ROKASGRĀMATU
	Vēdināšanas atveres dzinēja korpusā ir bloķētas	No atverēm notīriet netīrumus
	Dzesēšanas ribas un gaisa plūsmas ceļi zem dzinēja pūtējventilatora korpusa ir bloķēti	Notīriet netīrumus dzesēšanas ribās un gaisa plūsmas ceļos
Lielā ātrumā dzinējs pārlec	Spraugu starp aizdedzes sveces elektrodiem ir pārāk maza	Spraugu starp elektrodiem noregulējiet no 0,7 līdz 0,8 mm
Dzinējs pārkarst	Dzesēšanas gaisa plūsma ir sašaurināta	No atverēm korpusā, pūtējventilatora korpusā, gaisa plūsmas ceļiem iztīriet visus netīrumus
	Nepareiza aizdedzes svece	Attiecas uz PLM4630/PLM4631: Dzinējam uzstādiet RJ19LMC aizdedzes sveci un dzesēšanas ribas Attiecas uz PLM4632/PLM5130: Dzinējam uzstādiet QC12YC aizdedzes sveci un dzesēšanas ribas
Pļaujmašīna neparasti vibrē	Pļaušanas mehānisms ir vaļīgs	Pieskrūvējiet asmeni
	Pļaušanas mehānisms nav balansēts	Balansējiet asmeni

13. APKĀRTĒJĀS VIDES AIZSARDZĪBA

Ja mašīnu pēc ilgstošas kalpošanas nepieciešams nomainīt, neizmetiet to māsaimniecības atkritumos, bet likvidējiet apkārtējai videi nekaitīgā veidā.

Tikai Eiropas valstīm

EK atbilstības deklarācija

Uzņēmums „Makita Corporation”, kā atbildīgais

ražotājs paziņo, ka šāds „Makita” instruments:

Instrumenta nosaukums: Benzīna zāles plaujmašīna
Modeļa Nr./tips: PLM4630, PLM4631, PLM4632,
PLM5130

Specifikācijas: skatiet sadaļā „4. TEHNISKIE DATI”, ir sērijveida izstrādājums un

atbilst šādām Eiropas Savienības Direktīvām:

2004/108/EK, 2006/42/EK

2000/14/EK un 2005/88/EK

Un ražoti saskaņā ar šādiem standartiem vai normatīvajiem dokumentiem

LVS EN 836, LVS EN ISO 14982

Tehnisko dokumentāciju uztur:

Makita International Europe Ltd.,

Technical Department,

Michigan Drive, Tongwell,

Milton Keynes, Bucks MK15 8JD, Anglija

Atbilstības novērtējuma procedūra, ko nosaka Direktīva 2000/14/EK, veikta atbilstoši VI pielikumam.

Pilnvarotā iestāde:

TÜV SÜD Industrie Service GmbH

Westendstraße 199, D-80686 München

Identifikācijas numurs: 0036

Modelis: PLM4630, PLM4631

Novērtētais skaņas jaudas līmenis: 94,2 dB (A)

Garantētais skaņas jaudas līmenis: 96 dB (A)

Modelis: PLM4632

Novērtētais skaņas jaudas līmenis: 94,3 dB (A)

Garantētais skaņas jaudas līmenis: 96 dB (A)

Modelis: PLM5130

Novērtētais skaņas jaudas līmenis: 95,9 dB (A)

Garantētais skaņas jaudas līmenis: 98 dB (A)

30. 11. 2012



Tomoyasu Kato

Direktors

Makita Corporation

3-11-8, Sumiyoshi-cho,

Anjo, Aichi, 446-8502, JAPAN

Bendrasis aprašymas

- | | | |
|---------------------------------|------------------------------------|--|
| 1. Stabdžių valdymo rankena | 12. Šoninė sklendė | 23. Poveržlė |
| 2. Viršutinė rankena | 13. Dugnas | 24. Fiksavimo rankenėlė |
| 3. Savieigos valdymo rankena | 14. Uždegimo žvakė | 25. Antveržlė |
| 4. Droselinės sklendės svirtis | 15. Alyvos pildymo angos dangtelis | 26. Kampo reguliavimo mechanizmas |
| 5. Starterio rankena | 16. Degalų bako dangtelis | 27. Mygtukas |
| 6. Troso kreiptuvas | 17. Kabelio spautukas | 28. Alyvos pildymo angos dangtelis/
lygio matuoklis |
| 7. Fiksavimo svirtis | 18. Kabelio fiksavimo žiedas | 29. Maks.: viršutinė riba |
| 8. Apatinė rankena | 19. Greičio reguliavimo svirtis | 30. Min.: apatinė riba |
| 9. Žolės gaudyklė | 20. Mulčiavimo pleištas | 31. Varžtas |
| 10. Aukščio reguliavimo svirtis | 21. Lygio indikatorius | |
| 11. Šoninio išmetimo kanalas | 22. Varžtas | |

**ĮSPĖJIMAS:**

Savo pačių saugumui prieš pradėdami naudoti šį naują prietaisą, atidžiai perskaitykite šią instrukciją. Nesilaikant šios instrukcijos, galima sunkiai susižeisti. Prieš pradėdami naudoti žoliapjovę, skirkite šiek tiek laiko susipažinti su ja.



Atlikdami remonto darbus, ištraukite uždegimo žvakę ir taisykite įrenginį, kaip nurodyta naudojimo instrukcijoje.



Perspėjimas: Variklis labai įkaista.

1. ANT GAMINIO PAŽYMĖTI ŽENKLAI

Perskaitykite vartotojo vadovą.



Neleiskite artyn pašalinių asmenų.



Naudodami žoliapjovę, kreipkite daugiau dėmesio į rankas ir kojas, kad išvengtumėte susižeidimų.



Degalai yra degūs - saugokite nuo ugnies. Nepilkite degalų į veikiantį įrenginį.



Nuodingos išmetamosios dujos; nenaudokite uždarose patalpose.



Pjaudami žolę, dėvėkite apsauginius akinius ir ausų kištukus.

2. BENDROSIOS SAUGOS TAISYKLĖS

ĮSPĖJIMAS: Naudodami benzininius įrankius, visuomet laikykitės būtinų saugos priemonių, įskaitant toliau nurodytas, kad sumažintumėte sunkaus susižeidimo ir (arba) žalos įrenginiui pavojų. Prieš pradėdami naudoti šį gaminį, perskaitykite visą instrukciją ir išsaugokite ją, kad galėtumėte ja pasinaudoti vėliau.



ĮSPĖJIMAS: Šis įrenginys darbo metu sukuria elektromagnetinį lauką. Esant tam tikroms sąlygoms, šis laukas gali sutrikdyti aktyvių arba pasyvių medicininių implantų veikimą. Norint sumažinti sunkių arba mirtinų sužeidimų pavojų, rekomenduojame, kad asmenys, turintys medicininių implantų, prieš pradėdami naudoti šį įrenginį, pasitartų su savo fizioterapeutais ir medicininių implantų gamintojais.

Mokymas

- Atidžiai perskaitykite šią instrukciją. Nuodugniai susipažinkite su valdikliais ir kaip tinkamai naudoti šį įrenginį.
- Niekuomet neleiskite, kad šią žoliapjovę naudotų vaikai arba su šia instrukcija nesusipažinę žmonės. Operatoriaus amžius gali būti reglamentuojamas vietinių įstatymų.
- Niekuomet nepjaukite žolės, jei netoliese yra žmonių, ypač vaikų ar naminių gyvūnų.
- Prisiminkite, kad operatorius yra atsakingas už nelaimingus atsitikimus ar nelaimes, atsitikusius kitiems žmonėms arba jų turtui padarytą žalą.

Paruošimas

- Pjaudami žolę, visuomet avėkite tinkamą avalynę ir mūvėkite ilgas kelnes. Niekuomet nedirbkite su įrengimu, jei esate basi ar avėdami atvirus sandalus.
- Kruopščiai apžiūrėkite vietą, kurioje naudosite įrengimą, ir pašalinkite visus odaiktus, kuriuos mašina galėtų nusviesti.
- ĮSPĖJIMAS – Benzinas yra nepaprastai degus.
 - laikykite benzina talpose, skirtose specialiai šiam tikslui;
 - degalus į baką pilkite tik lauke ir, pildami degalus, nerūkykite;
 - degalų pilkite prieš užvesdami variklį. Niekuomet neatsukite degalų bako dangtelio ir nepilkite degalų, kai variklis veikia arba kai variklis yra įkaitęs;
 - išsiipylus degalams, nbandykite užvesti variklio, tik patraukite mašiną šalin nuo degalų išsiliejimo vietos ir venkite sukurti kokių nors uždegimo šaltinį, kol degalų garai neišsisiklaidys;
 - saugiai užsukite visus degalų bako ir talpyklų dangtelius.
- Pakeiskite sugedusius slopintuvus.
- Prieš pradėdami naudoti žoliapjovę, visuomet apžiūrėkite ir patikrinkite, ar nesusidėvėję ar neapgadinti peiliai, peilių varžtai ir pjoviklio mechanizmas. Pakeiskite visus peilių ir varžtų komplektus, ne tik susidėvėjusius ar apgadintus peilius ir varžtus, kad būtų išlaikyta pusiausvyra.

Naudojimas

- Nejunkite variklio uždaroje patalpoje, kuriose gali susikaupti pavojingų anglies viendeginio dujų.
- Žolę pjaukite tik dienos metu arba esant geram dirbtiniam apšvietimui.
- Jei įmanoma, venkite pjauti šlapią žolę.
- Dirbdami nuokalnėse, visada tvirtai stovėkite ant žemės.
- Vaikščiokite, o ne bėgiokite.
- Naudodami ratines rotacines mašinas, pjaukite žolę skersai nuokalnių; niekada nepjaukite aukštyn-žemyn.
- Keisdami kryptis nuokalnėse, būkite itin atsargūs.
- Nepjaukite žolės pernelyg stačiose nuokalnėse.
- Būkite itin atsargūs važiuodami atbuline eiga arba traukdami žoliapjovę link savęs.
- Sustabdykite peilį(-ius), jeigu žoliapjovę reikia paversti, kad ją galima būtų perkelti per žolę neapaugusius paviršius, ir gabenant žoliapjovę iš ir į žolės pjovimo vietą.
- Niekada neekspluatuokite žoliapjovės su pažeistais apsauginiais skydais arba be tinkamai sumontuotų saugos įtaisų, pavyzdžiui, kreiptuvų ir (arba) žolės gaudyklių.
- Nekeiskite variklio kontrolės regulatoriaus nustatymų ir neviršykite variklio apsučių.
- Prieš užvesdami variklį, atjunkite visus peilius ir pavarų sankabas.
- Atsargiai užveskite variklį, kaip nurodyta instrukcijoje; pėdos turi būti pakankamu atstumu nuo peilio (-ių).
- Užvesdami variklį, nepaverskite žoliapjovės.
- Neužveskite variklio stovėdami priešais išmetimo lataką.

- Nekiškite rankų ar kojų artyn prie besisukančių dalių arba po jomis. Visada stovėkite atokiai nuo sniego išmetimo angos.
- Niekada nekelkite ir neneškite žoliapjovės, kai variklis veikia.
- Išjunkite variklį ir atjunkite uždegimo žvakės laidą; palaukite, kol visos judamosios dalys visiškai sustos ir, jei įkištas užvedimo raktelis, ištraukite jį:
 - prieš pradėdami valyti užsikimšimus ar prieš atkimšdami išmetimo lataką;
 - prieš atlikdami žoliapjovės patikrą, valymo arba remonto darbus;
 - atsitrenkę į kokį nors daiktą. Prieš vėl užvesdami ir naudodami žoliapjovę, patikrinkite, ar nėra gedimų, ir, jeigu reikia, pataisykite.
 - jeigu žoliapjovė pradeda neįprastai vibruoti (patikrinkite nedelsdami).
- Išjunkite variklį ir atjunkite uždegimo žvakės laidą; palaukite, kol visos judamosios dalys visiškai sustos ir, jei įkištas užvedimo raktelis, ištraukite jį:
 - jei tik paliekate žoliapjovę be priežiūros;
 - prieš pripildami degalų;
- Sumažinkite droselinės sklendės atidarymo nustatymą variklio išliimo metu, jei variklyje yra įrengtas išjungimo vožtuvas; pabaigę pjauti žolę, išjunkite degalų padavimą.

Techninė priežiūra ir įrenginio saugojimas

- Visos veržlės, varžtai ir kitos tvirtinimo detalės turi būti gerai priveržtos, kad būtumėte tikri dėl įrangos darbo saugumo.
- Niekuomet nelaikykite įrenginio, kurio bake yra benzino, patalpoje, kur degalų garai galėtų pasiekti atvirą liepsną ar kibirkštį.
- Prieš pastatydami mašiną bet kokioje uždaroje patalpoje, leiskite varikliui ataušti.
- Norint sumažinti gaisro pavojų, žoliapjovės variklyje, duslintuve, akumulatoriaus bloke ir benzino saugojimo vietoje neturi būti žolės, lapų ar pernelyg daug tepalo.
- Dažnai tikrinkite žolės gaudyklę, ar ji nesusidėvėjusi ir ar tinkamai veikia.
- Saugos sumetimais, pakeiskite susidėvėjusias ar apgadintas dalis.
- Jeigu reikia ištuštinti degalų baką, tai reikia daryti lauke.



ĮSPĖJIMAS: Nelieskite besisukančio peilio.



ĮSPĖJIMAS: Pilkite degalus gerai vėdinamoje vietoje, išjungę variklį.

3. DALIŲ APRAŠYMAS (1 pav., 2 pav., 3 pav., 4 pav.)

Įskaitant

A: Uždegimo žvakės veržliaraktis

4. TECHNINIAI DUOMENYS

Model	PLM4630	PLM4631	PLM4632	PLM5130
Variklio tipas	B&S 675EX serija, ReadyStart	B&S 675EX serija, ReadyStart	B&S 750EX serija, ReadyStart	B&S 750EX serija, ReadyStart
Savaeigis	Nėra	Yra	Yra	Yra
Variklio litražas	190 cm ³	190 cm ³	161 cm ³	161 cm ³
Peilio plotis	460 mm	460 mm	460 mm	510 mm
Projektinis greitis	2 800/min	2 800/min	2 800/min	2 800/min
Degalų bakelio talpa	1,0 l	1,0 l	1,0 l	1,0 l
Alyvos bako talpa	0,6 l	0,6 l	0,6 l	0,6 l
Žolės gaudyklės talpa	60 l	60 l	60 l	65 l
Grynasis svoris	31,5 kg	34 kg	35 kg	38 kg
Aukščio reguliavimas	20–75 mm, 8 nuostatos	20–75 mm, 8 nuostatos	20–75 mm, 8 nuostatos	20–75 mm, 8 nuostatos

	PLM4630	PLM4631	PLM4632	PLM5130
Garantuotas garso slėgio lygis naudotojo vietoje (Pagal EN ISO 3744, EN ISO 4871)	83,5 dB (A) (K=3 dB (A))	83,5 dB (A) (K=3 dB (A))	83,9 dB (A) (K=3 dB (A))	85,7 dB (A) (K=3 dB (A))
Nustatytas garso galios lygis	94,2 dB (A) K=1,95 dB (A)	94,2 dB (A) K=1,95 dB (A)	94,3 dB (A) K=1,80 dB (A)	95,9 dB (A) K=2,16 dB (A)
Garantuotas garso galios lygis (Pagal 2000/14/EB)	96 dB (A)	96 dB (A)	96 dB (A)	98 dB (A)
Vibracija (Pagal EN ISO 20643)	6,58 m/s ² K=1,5 m/s ²	6,58 m/s ² K=1,5 m/s ²	7,12 m/s ² K=1,5 m/s ²	6,53 m/s ² K=1,5 m/s ²

5. MONTAVIMAS

5-1 SUDEDAMOS RANKENOS MONTAVIMAS

- Varžtu, povežle ir fiksavimo rankenėle užfiksuokite apatinę rankeną ant rankenos laikiklio. **(5 pav.)**
- Pakelkite dvi fiksavimo svirtis, kad sujungtumėte viršutinę ir apatinę rankenas. **(6 pav.)**
- Užspauskite fiksavimo svirtį, kad rankenos būtų užfiksuotos naudojimo padėtyje. **(7 pav.)**
- Pareguliuokite įtempimą, sukdami antveržlę tinkamu veržliarakčiu. **(8 pav.)**
- Nutieskite kabelį virš rankenos ašies. Pritvirtinkite jį kabelio spaustuku ties apatinės rankenos viduriu, kad kabelis būtų užfiksuotas išorinėje rankenos dalyje. **(9 pav., 10 pav.)** Antraip kabelis gali būti prispaustas atidarant/uždarant galinį gaubtą.

5-2 TINKAMO KAMPO NUSTATYMAS

- Atlaisvinkite fiksavimo svirtį.
- Sukite viršutinę rankeną nuo kampo reguliavimo mechanizmo centro, kad nustatytumėte tinkamą nuožulnimo kampą nuo -15° iki 15° (3 padėtis: -15°/0°/15°) kaip pavaizduota **11 pav.**
- Užspauskite fiksavimo svirtį, kad sujungtumėte apatinę ir viršutinę rankenas.

5-3 ŽOLĖS GAUDYKLĖS UŽDĖJIMAS IR NUĖMIMAS

- Norėdami pritvirtinti: Pakelkite galinį gaubtą ir prikabininkite žolės gaudyklę prie žoliapjovės galo. **(12 pav., 13 pav., 14 pav.)**

- Norėdami nuimti: Suimkite ir pakelkite galinį gaubtą, nuimkite žolės gaudyklę.

5-4 STARTERIO RANKENA

Patraukite starterio rankeną nuo variklio link trosu kreiptuvo. **(15 pav.)**

5-5 PJOVIMO AUKŠTIS

Patraukite išorėn, kad atkabintumėte svirtį nuo krumpļiastiebio. Stumkite svirtį pirmyn arba atgal, kad nustatytumėte aukštį. **(16 pav. ir žr. 7-9 punktą)**

6. FUNKCIJA

Šias žoliapjovės galima modifikuoti, įprastą funkciją pakeičiant pagal reikiamą naudojimo paskirtį: Iš žoliapjovės su žolės išmetimu pro galą į:

- mulčiamo žoliapjovę arba
- šoninio išmetimo žoliapjovę.

Kas yra mulčiavimas?

Mulčiuojant, žolė nupjaunama vieno darbo erapo metu, tuomet sukapojama ir išmetama ant nupjauto žolės ruožo kaip natūralios trąšos.

Patarimai dėl mulčiavimo:

- Reguliariai pjaukite žolę, pasirinkdami vis priešingą judėjimo kryptį, maks. 2 cm, kai žolė yra 6 cm–4 cm aukščio.
- Naudokite aštrų pjovimo peilį.
- Nepjaukite šlapios žolės.
- Nustatykite maks. variklio apsakus.
- Judėkite tik darbu tinkamu tempu.
- Reguliariai valykite mulčiavimo pleištą, korpuso vidų ir pjovimo peilį.

Trumpa instrukcija

6-1 Žoliapjovės mulčiavimo funkcijos nustatymas



ĮSPĖJIMAS: tik išjungus variklį ir sustojus pjovimo mechanizmui.

1. Pakelkite galinį gaubtą ir nuimkite žolės gaudyklę.
2. Įstumkite mulčiavimo pleištą į dugną. Užfiksuokite mulčiavimo pleištą, įstumę mygtuką į dugne esančią angą. (17 pav., 18 pav.)
3. Vėl nuleiskite galinį gaubtą. (19 pav.)
4. Pakelkite šoninę sklendę ir nuimkite šoninio išmetimo kanalą.

6-2 Žoliapjovės šoninio išmetimo funkcijos nustatymas



Tik išjungus variklį ir sustojus pjovimo mechanizmui!

1. Pakelkite galinį gaubtą ir nuimkite žolės gaudyklę.
2. Mulčiavimo pleišto montavimas.
3. Pakelkite šoninę sklendę, kad žolė būtų išmetama į šoną. (20 pav.)
4. Sumontuokite šoninio išmetimo kanalą (žolės išmetimui pro šoną) ant atraminio šoninės sklendės kaiščio. (21 pav.)
5. Nuleiskite šoninę sklendę – sklendę guli ant šoninio išmetimo kanalo. (22 pav.)

6-3 Žolės pjovimas naudojant žolės gaudyklę



Tik išjungus variklį ir sustojus pjovimo mechanizmui.

Norėdami pjauti žolę naudodami žolės gaudyklę, nuimkite mulčiavimo pleištą bei žolės šoninio išmetimo kanalą (šoniniam žolės išmetimui) ir uždėkite žolės gaudyklę.

1. Mulčiavimo pleišto nuėmimas.
 - Pakelkite galinį gaubtą ir nuimkite mulčiavimo pleištą.
2. Šoninio išmetimo kanalo nuėmimas.
 - Pakelkite šoninę sklendę ir nuimkite šoninio išmetimo kanalą.
 - Šoninės sklendės spyruoklės jėga automatiškai uždaro korpusą esančią išmetimo angą.
 - Reguliariai valykite šoninę sklendę ir išmetimo angą, kad jose nebūtų žolės likučių ir prilipusio purvo.
3. Žolės gaudyklės montavimas.
 - Norėdami pritvirtinti: Pakelkite galinį gaubtą ir prikabinkite žolės gaudyklę prie žoliapjovės galo.
 - Norėdami nuimti: Suimkite ir pakelkite galinį gaubtą, nuimkite žolės gaudyklę.

7. NAUDOJIMO INSTRUKCIJA

7-1 PRIEŠ PRADEDANT DARBĄ

Atlikite variklio, kuriame yra benzino ir alyvos, remontu darbus, kaip nurodyta atskiroje variklio naudojimo

instrukcijoje, pateiktoje su šia žoliapjove. Atidžiai perskaitykite instrukciją. (23 pav., 24 pav., 25 pav., 26 pav.)



ĮSPĖJIMAS: Benzinas yra nepaprastai degus. Laikykite benzina talpose, skirtose specialiai šiam tikslui. Pilkite degalus tik lauke, prieš užvesdami variklį ir, pildami degalus arba juos tvarkydami, nerūkykite. Niekuomet neatsukite degalų bako dangtelio ir nepilkite degalų, kai variklis veikia arba kai variklis yra įkaitęs. Išsipylus degalams, nebandykite užvesti variklio, tik patraukite mašiną šalin nuo degalų išsiliejimo vietos ir venkite sukurti kokį nors uždegimo šaltinį, kol degalų garai neišsisklaidys.

Saugiai užsukite visus degalų bako ir talpyklų dangtelius. Prieš paversdami žoliapjovę, norėdami atlikti peilio techninę priežiūrą arba išleisti alyvą, išleiskite degalus iš bako.



ĮSPĖJIMAS: Niekada nepildykite degalų bako patalpose, varikliui veikiant, arba po naudojimo nepalaukę bent 15 minučių, kol variklis atvės.

7-2 VARIKLIO UVEDIMAS IR PEILIO JUNGIMAS

1. Įrenginyje ant uždegimo žvakės galo uždėta guminė mova; būtina įsitikinkite, kad uždegimo žvakės laido gale esanti metalinė kilpelė (guminės movos viduje) būtų saugiai uždėta ant uždegimo žvakės metalinio galiuko.
2. Užvesdami šaltą variklį, pasukite droselinės sklendės svirtį į padėtį „☁“.
Užvesdami ir naudodami šiltą variklį, nustatykite droselinės sklendės svirtį į padėtį „☁“.**(27 pav.)**
3. Atsistoję už įrenginio, suimkite už stabdžio valdymo rankenos ir laikykite ją priešais viršutinę rankeną, kaip parodyta **28 pav.**
4. Paimkite už starterio rankenos kaip parodyta **28 pav.** ir ištraukite ją staigiu judesiu. Varikliui užsvedus, lėtai sugražinkite ir užfiksuokite ją ant trosu kreiptuvo varžto.

Norėdami išjunkite variklį ir peilį, atleiskite stabdžių valdymo rankeną.



Atsargiai užveskite variklį, kaip nurodyta instrukcijoje; pėdos turi būti pakankamu atstumu nuo peilio.



Užvesdami variklį, nepaverskite žoliapjovės. Užveskite žoliapjovę ant lygaus paviršiaus, kur nėra žolės ar kokių nors kliūčių.



Laikykite pėdas ir rankas atokiai nuo besisukančių dalių. Neužveskite variklio stovėdami priešais išmetimo latako angą.

7-3 DARBO EIGA

Dirbdami, tvirtai laikykite stabdžių valdymo rankeną abejomis rankomis.

Pastaba: Darbo metu atleidus stabdžių valdymo rankeną, variklis bus išjungtas ir todėl žoliapjovė neveiks.

7-4 VARIKLIO IŠJUNGIMAS



PERSPĖJIMAS: Išjungus variklį, peilis dar kelias sekundes sukasi.

1. Norėdami išjunkite variklį ir peilį, atleiskite stabdžių valdymo rankeną. **(29 pav.)**
2. Atjunkite ir įžeminkite uždegimo žvakės laidą, kaip nurodyta atskiroje variklio naudojimo instrukcijoje, kad išvengtumėte atsitiktinio užvedimo palikus įrenginį be priežiūros.

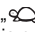

7-5 AUTOMATINĖS EIGOS ĮJUNGIMAS

Modeliui PLM4631

Paimkite už savieigos valdymo rankenos; žoliaprovė automatiškai ims judėti į priekį maždaug 3,6 km/h greičiu **(30 pav.)**; atleidus savieigos rankeną, žoliaprovė sustos.

Modeliams PLM4632, PLM5130

Žoliaprovėje įrengta greičio reguliavimo sistema, kuri leidžia pasirinkti 3 greičio nuostatas, nuo 3,0 km/h iki 4,5 km/h.

Padėtis „“: mažiausio greičio padėtis; Padėtis „“: didžiausio greičio padėtis. **(31 pav.)**

Atlikite toliau nurodytus veiksmus:

1. Atleiskite savieigos valdymo rankeną, kad žoliaprovė sustotų ir nejudėtų į priekį.
2. Pasirinkite pageidaujamą greičio nustatymą. **(31 pav.)**
3. Paimkite už savieigos valdymo rankenos ir toliau pjaukite žolę. **(30 pav.)**



PERSPĖJIMAS: Ši žoliaprovė skirta pjauti įprastą veją prie namų, kuri yra ne aukštesnė nei 250 mm. Nemėginkite ją pjauti neįprastai aukštos, išdžiūvusios ar šlapios žolės (pvz., ganyklose) ir nesmulkinkite ją sausų lapų krūvų. Ant žoliaprovės dugno gali susikaupti purvo arba jo gali patekti į išmetimo vamzdį, o tai gali sukelti gaisrą.

7-6 KĄ DARYTI, KAD ŽOLĖ BŪTŲ PJAUNAMA GERIAUSIAI

Surinkite nuo vejos šiukšles. Įsitinkinkite, ar ant vejos nėra akmenų, pagalių, laidų ar kitų pašalinių daiktų, kuriuos žoliaprovė gali netyčia pagriebti bei sviesti bet kuria kryptimi ir sukelti sunkių operatoriaus ar kitų asmenų sužeidimų bei padaryti žalos turtui ir aplinkiniams objektams. Nepjaukite šlapios žolės. Norėdami, kad žolė būtų pjaunama veiksmingai, nepjaukite šlapios žolės, nes ji prilimpa prie dugno apačios ir susmulkinta žolė pjaunama netinkamai. Pjaukite ne daugiau nei 1/3 žolės ilgio. Rekomenduojamas žolės pjovimo aukštis – 1/3 žolės ilgio. Reikia pasirinkti tinkamą važiavimo greitį, kad susmulkinta žolė būtų tolygiai paskeidžiama po veją. Esant itin sudėtingoms pjovimo sąlygoms ir tankiai žolei, norint gražiai nupjauti žolę, gali tekti pasirinkti mažiausią važiavimo greitį. Pjaunant aukštą žolę, veją gali tekti pjauti per du kartus, antro pjovimo metu nuleidžiant peilį dar 1/3 aukščio, ir, galbūt, pjauti priešinga pirmam pjovimui kryptimi. Užgriebiant šiek tiek nupjauto ruožo, taip pat galima švairiu nupjauti bet kokius likusius nenupjautos vejos kuokštelių. Norint geriausiai nupjauti žolę, žoliaprovę visuomet reikia naudoti nustačius maksimalias variklio apsakas. Nuvalykite dugno apačią. Po kiekvieno

apnaudojimo būtinai nuvalykite pjovimo dugno apačią, kad ant jos nesukauptų žolė, kuri neleidžia tinkamai atlikti mulčiavimo. Lapų mulčiavimas Veja gali būti trešiamu mulčiuojant ir lapus. Mulčiuodami lapus, įsitinkinkite, kad jie yra sausi ir nesukritę ant vejos pernelyg storu sluoksniu. Norėdami mulčiuoti, nelaukite, kol nuo medžių nukris visi lapai.



ĮSPĖJIMAS: Atsitraukę į kokį nors pašalinį daiktą, išjunkite variklį. Ištraukite uždegimo žvakę, kruopščiai patikrinkite žoliaprovę, ar nėra pažeidimų, ir, jei reikia, pataisykite juos prieš vėl užvesdami ir naudodami žoliaprovę. Pernelyg stipri žoliaprovės vibracija darbo metu rodo gedimą. Įrenginį reikia skubiai patikrinti ir pataisyti.

7-7 ŽOLĖS GAUDYKLĖ

Žolės gaudyklės viršuje yra lygio indikatorius, kuris parodo, ar gaudyklė yra tuščia, ar pilna **(32 pav., 33 pav.)**:

- Jeigu pjaunant žolę gaudyklė nėra pilna, lygio indikatorius atsidaro. **(33 pav.)**
- Jeigu gaudyklė yra pilna, indikatorius užsidaro: taip atsitikus, tuoj pat liaukitės pjovę žolę ir išpilkite žolę iš gaudyklės, tinkamai ją išvalykite bei patikrinkite, ar neužsikimšo jos ventiliavimo tinklais. **(32 pav.)**

SVARBU

Jeigu indikatoriaus atidarymo anga bus labai purvina, indikatorius neatsidarys; tokius atveju tuoj pat nuvalykite indikatoriaus atidarymo angą.

7-8 DUGNAS

Po kiekvieno panaudojimo privaloma nuvalyti žoliaprovės dugno apačią, kad ant jos nesikauptų susmulkinta žolė, lapai, purvas ar kitos medžiagos. Jeigu ant dugno susikaups purvo, jis sąlygos rūdžių atsiradimą ir koroziją; be to, jis trukdys tinkamai atlikti mulčiavimą. Dugną galima nuvalyti pakreipus žoliaprovę ir nugrandžius apačią tinkamu įrankiu (tuo metu uždegimo žvakė būtinai turi būti atjungta).

7-9 NURODYMAI, KAIP NUSTATYTI PJOVIMO AUKŠTĮ



PERSPĖJIMAS: Niekada nedarykite jokių žoliaprovės reguliavimo darbų pirma neišjungę variklio ir neatjungę uždegimo žvakės laido.



PERSPĖJIMAS: Prieš keisdami žolės pjovimo aukštį, išjunkite žoliaprovę ir atjunkite uždegimo žvakės laidą.

Šioje žoliaprovėje įrengta centrinė aukščio reguliavimo svirtis, kurią galima nustatyti 8 aukščio padėtyse.

Aukštį (peilio atstumą nuo žemės) galima nustatyti nuo 20 mm iki 75 mm (8 aukščio padėtyse). **(34 pav.)** Žemiausia nuostata: 20 mm (1 padėtis); aukščiausia nuostata: 75 mm (8 padėtis).

1. Prieš keisdami žolės pjovimo aukštį, išjunkite žoliaprovę ir atjunkite uždegimo žvakės laidą.

2. Centrinė aukščio reguliavimo svirtį galima nustatyti 8 skirtingose aukščio padėtyse. (34 pav.)

Norėdami pakeisti pjovimo aukštį, patraukite reguliavimo svirtį link rato ir pakelkite arba nuleiskite svirtį, kad pasirinktumėte norimą aukštį.

8. TECHNINĖS PRIEŽIŪROS INSTRUKCIJA

UŽDEGIMO ŽVAKĖ

Pakeitimui naudokite tik originalią uždegimo žvakę. Norėdami užtikrinti geriausią darbą, keiskite uždegimo žvakę kas 100 darbo valandų.

9. TEPIMO INSTRUKCIJA



PERSPĖJIMAS: ATJUNKITE UŽDEGIMO ŽVAKĘ, PRIEŠ ATLIKdami TECHNINĖS PRIEŽIŪROS DARBUS.

1. RATAI-Patepkite kiekvieno rato rutulinius guolius neklampia alyva bent kartą per sezoną.
2. VARIKLIS-Vadovaukitės variklio naudojimo instrukcija, kaip atlikti variklio tepimą.

10. VALYMAS



PERSPĖJIMAS: Neplaukite variklio vadens žarna. Vanduo gali pažeisti variklį arba užteršti degalų sistemą.

1. Nušluostykite dugną sausu skudurėliu.
2. Nuplaukite dugną, pakreipę žoliapjovę taip, kad uždegimo žvakė būtų viršuje.

10-1 VARIKLIO ORO FILTRAS



PERSPĖJIMAS: Neleiskite, kad purvas ar dulks užkimštų oro filtro poroloninį elementą. Variklio oro filtro elementą reikia techniškai prižiūrėti (išvalyti) kas 25 darbo valandas. Jeigu žoliapjovė naudojama esant sauso oro sąlygoms, kuomet kyla daug dulkių, poroloninį elementą reikia valyti reguliariai.

NORĖDAMI IŠVALYTI ORO FILTRA

1. Išsukite varžtą. (35 pav. modeliams PLM4632 ir PLM5130)
2. Nuimkite fiksavimo rankenėlę. (36 pav. modeliams PLM4630 ir PLM4631)
3. Nuimkite filtro dangtelį.
4. Išplaukite filtro elementą muiluotame vandenyje. **NENAUDOKITE BENZINO!**
5. Palaukite, kol oro filtro elementas išdžius.
6. Užlašinkite ant poroloninio filtro kelis lašus alyvos SAE30; stipriai suspauskite jį, kad pašalintumėte alyvos perteklių.
7. Vėl sumontuokite filtrą.

PASTABA: Jeigu filtras nusidėvėjęs, suplėšytas arba jo neįmanoma išvalyti, pakeiskite jį nauju.

10-2 PJOVIMO PEILIS



PERSPĖJIMAS: Būtinai atjunkite ir įžeminkite uždegimo žvakės laidą, prieš taisydami pjovimo peilį, kad variklis nebūtų atsitiktinai užvestas. Norėdami suimti peilius, būtinai dėvėkite pirštines arba naudokite skudurėlį. Paverskite žoliapjovę, kaip nurodyta atskiroje variklio naudojimo instrukcijoje. Nuimkite šešiakampį varžtą ir poveržlę, tvirtinančius peilį ir peilio adapterį ant variklio alkūninio veleno. Nuimkite peilį ir jo adapterį nuo alkūninio veleno.



ISPĖJIMAS: Reguliariai tikrinkite peilio adapterį, ar jis neįskilęs, ypač atsitrėkę į kokią nors pašalinį daiktą. Jei reikia, pakeiskite jį.

Norint pasiekti geriausių rezultatų, peilis turi būti aštrus. Peilį galima nuimti ir pagalšti jį šlifavimo staklėmis arba dilde, kiek įmanoma išlaikant originalų ašmenų nuožambio kampą. Labai svarbu, kad kiekvienas peilio pjovimo kraštas būtų nugalastas vienodai, kad peilis nebūtų išbalansuotas. Netinkamas peilio balansavimas sukels pernelyg didelę vibraciją, kuri sugadins variklį ir žoliapjovę. Pagalandę, būtinai tinkamai subalansuokite peilį. Peilio balansą galima patikrinti užmovus jį ant apvalaus atsuktuvo galo. Galąskite sunkesnią peilio pusę tol, kol peilis bus tinkamai subalansuotas. (37 pav.) Prieš vėl sumontuodami peilį ir jo adapterį ant įrenginio, patepkite variklio alkūninį veleną ir vidinį peilio adapterio paviršių neklampia alyva. Sumontuokite peilio adapterį ant alkūninio veleno. Žr. 37 pav. Užmaukite peilį taip, kad jo dalies numeris nebūtų nukreiptas į adapterį. Uždėkite ant peilio poveržlę ir įkiškite šešiakampį varžtą. Priveržkite šešiakampį varžtą, naudodami toliau nurodytą sukimo momentą.

10-3 SUKIMO MOMENTAS MONTUOJANT PEILĮ

Sucentruokite varžtą ir priveržkite jį 40 Nm–50 Nm jėga, kad būtų užtikrintas saugus įrenginio darbas. Būtinai reguliariai tikrinti visas varžtes ir varžtus, ar jie tinkamai priveržti.

Ilgai naudojant įrenginį, ypač smėlėtose vietovėse, peilis nusidėvi ir praranda savo originalią formą. Todėl pjovimo veiksmingumas sumažėja ir peilį reikia pakeisti. Pakeiskite seną peilį tik patvirtintu, originaliu peiliu. Gamintojas neatsako už žalą, patirtą naudojant nesubalansuotą peilį.

Keisdami peilį, privalote naudoti originalų peilį (MAKITA 263001451 modeliams PLM4630/PLM4631/PLM4632, MAKITA 263002552 modeliui PLM5130) (norėdami užsakyti peilį, kreipkitės į vietos atstovą arba skambinkite mūsų bendrovei).

10-4 VARIKLIS

Variklio techninės priežiūros instrukciją žr. atskirtą variklio naudojimo instrukciją.

Tikrinkite variklio alyvą, kaip nurodyta atskiroje variklio naudojimo instrukcijoje, pateiktoje su šia žoliapjove. Atidžiai perskaitykite ir vadovaukitės instrukcija. Esant įprastoms darbo sąlygoms, valykite oro filtrą, kaip nurodyta atskiroje variklio naudojimo instrukcijoje.

Kylant nepaprastai daug dulkių, valykite filtrą kas kelias darbo valandas. Prastas variklio veikimas ir užliejimas paprastai reiškia, kad reikia išvalyti oro filtrą.

Norėdami išvalyti oro filtrą, žr. atskirtą variklio naudojimo instrukciją, pateiktą kartu su šiuo įrenginiu.

Kartą per sezoną reikia nuvalyti uždegimo žvakę ir pareguliuoti tarpelį tarp žvakės ir kontakto. Sezono pradžioje rekomenduojama pakeisti uždegimo žvakę; žr. variklio naudojimo instrukciją, kurioje nurodyti techniniai duomenys apie tinkamą uždegimo žvakės tipą ir tarpelį. Reguliariai nuvalykite variklį skuduru arba šepetiu.

Aušinimo sistema (ventiliatoriaus korpuso sritis) turi būti švari, kad būtų užtikrinta tinkama oro cirkuliacija, kuri yra būtina, kad variklis tinkamai veiktų ir ilgai tarnautų. Būtinai nuvalykite nuo dulintuvo žolę, purvą ir degias šiukšles.

11. SAUGOJIMO INSTRUKCIJA (NE SEZONO METU)

Norint paruošti žoliapjovę saugojimui, reikia atlikti šiuos veiksmus:

1. Sezonui pasibaigus, paskutinį kartą panaudoję įrenginį, ištuštinkite jo baką.
 - a) Ištraukite benziną iš bako, naudodami siurbimo pompą.



PERSPĖJIMAS: Nebandykite tuštinti benzino bako uždaroje patalpoje, šalia ugnies ir pan. Nerūkykite! Benzino garai gali sukelti sprogimą arba gaisrą.

- b) Užveskite variklį ir palikite jį veikti tol, kol bus išseiktas visas likęs benzinas ir variklis užges.
 - c) Išsukite uždegimo žvakę. Į degimo kamerą įpilkite maždaug 20 ml alyvos. Kelis kartus patraukite už starterio rankenos, kad alyva tolygiai pasiskirstytų degimo kameroje. Pakeiskite uždegimo žvakę.
2. Kruopščiai nuvalykite ir patepkite žoliapjovę, kaip aprašyta pirmiau esančiame skyriuje „TEPIMO INSTRUKCIJA“.
 3. Šiek tiek patepkite pjoviklį, kad jis nesurūdytų.
 4. Žoliapjovę laikykite sausoje, šviesoje, nuo šalčio apsaugotoje, rakinamoje patalpoje.



PERSPĖJIMAS: Prieš pastatant žoliapjovę į vietą, ji privalo būti visiškai atvėsusi.



PASTABA:

- Laikant bet kokį elektrinį įrenginį nevedinamoje patalpoje arba medžiagų sandėlyje,
- reikia pasirūpinti, kad įrenginys būtų apsaugotas nuo korozijos. Patepkite įrenginį, ypač kabelius ir visas judamąsias dalis neklampia alyva arba silikonu.
- Būkite atsargūs, kad nesulenktumėte arba nesuraizgytumėte laidų.
- Jeiigu starterio lynas atsikabintų nuo trosu kreiptuvo, esančio ant rankenos, atjunkite ir įžeminkite uždegimo žvakės laidą, nuspauskite peilio valdymo rankeną ir lėtai ištraukite starterio trosą iš variklio. Užmaukite starterio trosą ant trosu kreiptuvo varžto, esančio ant rankenos.

Gabenimas

Išjunkite variklį. Stumdami žoliapjovę pro kliūtis, būkite atsargūs, kad nesulankstytumėte ir nepažeistumėte pjoviklio.

12. GEDIMŲ LOKALIZAVIMAS

Problema	GALIMA PRIEŽASTIS	ATITAIŠYMAS
Variklis neužsiveda.	Netinkamas droselinės sklendės nustatymas pagal esamas darbo sąlygas.	Nustatykite droselinę sklendę į tinkamą padėtį.
	Tuščias degalų bakas.	Pripilkite baką degalų: žr. VARIKLIO NAUDOJIMO INSTRUKCIJĄ.
	Nešvarus oro filtro elementas.	Išvalykite oro filtro elementą: žr. VARIKLIO NAUDOJIMO INSTRUKCIJĄ.
	Atsilaisvino uždegimo žvakė.	Priveržkite uždegimo žvakę, naudodami 25–30 Nm sukimo momentą.
	Atsilaisvimo arba nukrito uždegimo žvakės laidas.	Uždėkite uždegimo žvakės laidą ant uždegimo žvakės.
	Netinkamas uždegimo žvakės tarpelis.	Tarp elektrodų turi būti 0,7 - 0,8 mm tarpelis.
	Sudegė uždegimo žvakė.	Sumontuokite naują uždegimo žvakę, tinkamai nustatydami tarpelį tarp elektrodų: žr. VARIKLIO NAUDOJIMO INSTRUKCIJĄ.
	Karbiuratorius užpildytas degalais.	Išimkite oro filtro elementą ir be perstojo traukite už startelio trosą, kol karbiuratorius bus išvalytas, tuomet vėl sumontuokite oro filtro elementą.
	Sugedęs uždegimo modulis.	Kreipkitės į techninio aptarnavimo centrą.
Sunku užvesti variklį arba variklis netenka galios.	Užterštas degalų bakas, bako yra vandens arba degalų nuosėdų.	Išleiskite iš bako degalus ir išvalykite baką. Į degalų baką pripilkite švarių degalų.
	Užsikimšo degalų bako dangtelyje esanti ventiliacijos anga.	Išvalykite arba pakeiskite degalų bako dangtelį.
	Nešvarus oro filtro elementas.	Išvalykite oro filtro elementą.
Variklis veikia netvarkingai.	Sudegė uždegimo žvakė.	Sumontuokite naują uždegimo žvakę, tinkamai nustatydami tarpelį tarp elektrodų: žr. VARIKLIO NAUDOJIMO INSTRUKCIJĄ.
	Netinkamas uždegimo žvakės tarpelis.	Tarp elektrodų turi būti 0,7 - 0,8 mm tarpelis.
	Nešvarus oro filtro elementas.	Išvalykite oro filtro elementą: žr. VARIKLIO NAUDOJIMO INSTRUKCIJĄ.
Variklis prastai veikia be apkrovų.	Nešvarus oro filtro elementas.	Išvalykite oro filtro elementą: žr. VARIKLIO NAUDOJIMO INSTRUKCIJĄ.
	Užsikimšo variklio gaubte esančios ventiliacijos angos.	Išvalykite angose susikaupusį purvą.
	Užsikimšo variklio aušinimo briaunos ir oro kanalai, esantys po variklio ventiliatoriaus korpusu.	Nuvalykite purvą nuo aušinimo briaunų ir išvalykite oro kanalus.
Esant didelėms apsucoms, variklis netolygiai veikia.	Per mažas tarpelis tarp uždegimo žvakės elektrodų.	Tarp elektrodų turi būti 0,7 - 0,8 mm tarpelis.
Perkaista variklis.	Sutrikęs aušinimo oro srautas.	Išvalykite purvą iš gaubte esančių angų, nuo ventiliatoriaus korpuso, oro kanalų.
	Netinkama uždegimo žvakė.	Modeliams PLM4630/PLM4631: Sumontuokite uždegimo žvakę RJ19LMC ir aušinimo briaunas ant variklio. Modeliams PLM4632/PLM5130: Sumontuokite uždegimo žvakę QC12YC ir aušinimo briaunas ant variklio.
Žoliapjovė nejprastai vibruoja.	Atsilaisvino pjovimo mechanizmas.	Priveržkite peilį.
	Nesubalansuotas pjovimo mechanizmas.	Subalansuokite peilį.

13. APLINKA

Jeigu po ilgo naudojimo seną įrenginį reikėtų pakeisti nauju, neišmeskite jo kartu su buitinėmis atliekomis; nuvežkite jį į atitinkamą atliekų surinkimo ir perdirbimo punktą.

Tik Europos šalims

EB atitikties deklaracija

Mes, bendrovė „Makita Corporation“, būdami atsakingas gamintojas, pareiškiame, kad šis „Makita“ įrenginys (-iai):

Mechanizmo paskirtis: Benzininė žoliapjovė

Modelio Nr./tipas: PLM4630, PLM4631, PLM4632, PLM5130

Specifikacijos: žr. „4. TECHNINIAI DUOMENYS“ yra serinis gaminys ir

atitinka šias Europos direktyvas:

2004/108/EB, 2006/42/EB,

2000/14/EB ir 2005/88/EB

ir yra pagaminti pagal šiuos standartus arba normatyvinius dokumentus:

EN 836, EN ISO 14982

Techninė dokumentacija saugoma:

Makita International Europe Ltd.,

Technical Department,

Michigan Drive, Tongwell,

Milton Keynes, Bucks MK15 8JD, England (Anglija)

Atitikties įvertinimo procedūra, būtina pagal Tarybos

Direktyvą 2000/14/EB, atlikta atsižvelgiant į VI priedą.

Paskelbtoji įstaiga:

TÜV SÜD Industrie Service GmbH

Westendstraße 199, D-80686 München

Identifikacijos numeris: 0036

Modelis: PLM4630, PLM4631

Nustatytas garso galios lygis: 94,2 dB (A)

Garantuotas garso galios lygis: 96 dB (A)

Modelis: PLM4632

Nustatytas garso galios lygis: 94,3 dB (A)

Garantuotas garso galios lygis: 96 dB (A)

Modelis: PLM5130

Nustatytas garso galios lygis: 95,9 dB (A)

Garantuotas garso galios lygis: 98 dB (A)

30. 11. 2012



Tomoyasu Kato

Direktorius

Makita Corporation

3-11-8, Sumiyoshi-cho,

Anjo, Aichi, 446-8502, JAPAN

Üldvaate selgitus

- | | | |
|------------------------------|--------------------------------|-----------------------------------|
| 1. Turvapiduri hoob | 12. Külglapp | 23. Seib |
| 2. Käepideme ülemine osa | 13. Korpus | 24. Lukustusnupp |
| 3. Vabajooksu juhik | 14. Süüteküünal | 25. Fiksaatormutter |
| 4. Seguklapi hoob | 15. Öli täiteava kork | 26. Nurga reguleerimismehhanism |
| 5. Starteri nõõri käepide | 16. Kütusepaagi kork | 27. Nupp |
| 6. Nõõri juhik | 17. Kaabliklamber | 28. Öli täiteava kork/mõõtevarras |
| 7. Lukustushoob | 18. Kaabli kinnitusrõngas | 29. Max: ülemine piir |
| 8. Käepideme alumine osa | 19. Kiiruse reguleerimise hoob | 30. Min: alumine piir |
| 9. Rõhukoguja | 20. Multšimisküül | 31. Kruvi |
| 10. Kõrguse reguleerimishoob | 21. Tasemeindikaator | |
| 11. Külmine tühjendusrenn | 22. Polt | |

**HOIATUS:**

Lugege käesolev kasutusjuhend iseenda ohutuse tagamiseks enne niiduki kasutamist läbi. Juhiste eiramine võib põhjustada tõsise kehavigastuse. Iga kord, kui hakkate niidukit kasutama, kulutage kõigepealt mõned minutid sellega tutvumiseks.

1. MURUNIIDUKIL OLEVAD SÜMBOLID

Lugege kasutusjuhendit.



Hoidke kõrvalseisjad eemal.



Pöörake töötamise ajal rohkem tähelepanu oma kätele ja jalgadele, et vältida kehavigastusi.



Kütus on tuleohtlik, hoidke tuli sellest eemal. Ärge lisage kütust sel ajal, kui mootor töötab.



Mürgised aarud: ärge käituge mootorit siseruumides.



Palun kandke niitmise ajal kaitseprille ja kõrvaklappe.



Eemaldage süüteküünla piip enne niidukil parandustööde teostamist. Seejärel remontige niidukit vastavalt kasutusjuhendile.



Ettevaatust: Mootor on kuum.

2. PÕHILISED OHUTUSNÕUDED

HOIATUS: Bensiniimootoriga seadmeid kasutades tuleb alati järgida peamisi ettevaatusabinõusid, et vähendada tõsise kehavigastuse tekke ja/või seadme kahjustamise ohtu. Lugege kasutusjuhend enne niiduki kasutamist tähelepanelikult läbi ja hoidke see alles, et saaksite seda vajadusel uuesti lugeda.



HOIATUS: See masin tekitab töötamise ajal elektromagnetilise välja. Mõningatel juhtudel võib see väli mõjutada aktiivseid või passiivseid meditsiinilisi implantaate. Soovitame meditsiiniliste implantaatidega isikutel enne antud masina kasutamist pidada tõsise või eluohtliku vigastuse vältimiseks nõu arsti ja meditsiinilise implantaadi tootjaga.

Väljaõpe

- Lugege tähelepanelikult juhiseid. Õppige põhjalikult tundma seadme juhtimiseadiseid ja niiduki õiget kasutamist.
- Mitte mingil juhul ärge lubage muruniidukit kasutada lastel ega isikutel, kes pole tutvunud käesoleva kasutusjuhendiga. Kohalikud määrused võivad seada piiranguid kasutaja vanusele.
- Ärge kunagi nitke siis, kui läheduses viibivad inimesed (eriti lapsed) või lemmikloomad.
- Pidage meeles, et muruniiduki omanik või kasutaja vastutab teistele isikutele põhjustatud vigastuste või nende varale tekitatud kahjustuste eest.

Ettevalmistus

- Kandke niitmise ajal alati tugevaid jalatseid ja pikki pükse. Ärge töötage niidukiga, kui olete paljajalu või kannate lahtisi sandaale.
- Kontrollige hoolikalt niidetavat ala ja eemaldage sealt kõik esemed, mis võivad niidukile ette jäädes eemale paiskuda.
- HOIATUS: Bensiin on väga tuleohtlik.
 - Hoidke kütust selleks ettenähtud mahutites.
 - Lisage kütust ainult välistingimustes ja ärge suitsetage samal ajal.
 - Lisage kütust enne mootori käivitamist. Ärge eemaldage kütusepaagilt korki ega lisage sinna kütust, kui mootor töötab või on kuuum.
 - Kui olete bensiini maha loksutanud, siis ärge püüdke mootorit käivitada, vaid viige niiduk sellest piirkonnast eemale ja vältige enne bensiinaurude hajumist kõikvõimalikke süttimisallikaid.
 - Keerake kütusepaagi ja -mahuti korgid tugevasti kinni.
- Vahetage kahjustunud summutid välja.
- Kontrollige alati enne kasutamist, kas lõiketera, lõiketera poldid ja niiduki korpus pole kulunud või vigastatud. Vahetage kulunud või kahjustunud terad ja poldid komplektina välja, et tagada niiduki ühtlane kulumine.

Kasutamine

- Ärge käitage mootorit kinnises ruumis, kuhu võivad koguneda mürgised süsinikmonooksiidi (vingugaas) aurud.
- Niitke ainult päevavalguses või hea tehisvalgustuse korral.
- Võimaluse korral vältige märja muru niitmist.
- Jälgige kallakutel alati, et teil oleks kindel jalgealune.
- Kõndige, ärge jookske.
- Edasiveoga niidukite puhul niitke kallakutel ristuunas, mitte kunagi üles-alla suunas.
- Olge kallakutel liikumissuunda muutes äärmiselt ettevaatlik.
- Ärge niitke liiga järskudel kallakutel.
- Olge tagurdamisel või muruniiduki enda poole tõmbamisel äärmiselt ettevaatlik.
- Seisake lõiketera(d), kui muruniidukit tuleb mootori töötamise ajal kallutada, et liikuda üle alade, mis ei ole muruga kaetud, ning siis, kui viite muruniidukit niitmisalale või sealt ära.
- Ärge mitte mingil juhul kasutage muruniidukit, mille kaitsekatted on vigastatud või millel puuduvad ohutusseadised (nt suunaja ja/või rohukoguja peavad olema õigesti paigaldatud).
- Ärge muutke mootori pöörete regulaatori seadistust ning ärge ületage mootori maksimaalselt lubatud pöörlemissagedust.
- Vabastage enne niiduki käivitamist kõik lõiketerad ja ajami sidurid.
- Käivitage mootor vastavalt juhistele, hoides jalgu lõiketerast (lõiketeradest) ohutus kauguses.
- Ärge kallutage muruniidukit mootori käivitamise ajal.
- Ärge seisake mootori käivitamise ajal väljaviskerenni ees.

- Ärge pange käsi ja jalgu pöörlevate osade lähedale ega nende alla. Hoidke väljaviskeava alati takistustest puhtana.
- Mitte mingil juhul ärge tõstke ega kandke muruniidukit sel ajal, kui mootor töötab.
- Seisake mootor ja ühendage süüteküünla juhe lahti; veenduge, et kõik liikuvad osad on täielikult seiskunud; ja eemaldage mutrivõti, kui see on niiduki küljes:
 - enne takistuste eemaldamist muruniidukist või ummistuste kõrvaldamist väljaviskerennist;
 - enne kontrollimist, puhastamist või mis tahes muude tööde teostamist muruniidukil;
 - pärast pörkimist vastu võõrkeha. Kontrollige, et muruniiduk ei oleks kahjustunud. Teostage enne niiduki käivitamist ja niitma hakkamist vajalikud parandustööd;
 - kui muruniiduk hakkab ebatavaliselt vibreerima (kontrollige kohe).
- Seisake mootor ja ühendage süüteküünla juhe lahti; veenduge, et kõik liikuvad osad on täielikult seiskunud; ja eemaldage mutrivõti, kui see on niiduki küljes:
 - alati, kui lahkute muruniiduki juurest;
 - enne kütuse lisamist.
- Vähendage seguklapi ava seadistust mootori väljalülitamise ajal ja juhul, kui mootor on varustatud kütusekraaniga, siis sulgege see niitmise lõpetamisel.

Hooldus ja hoiustamine

- Jälgige, et kõik mutrid, poldid ja kruvid oleksid tugevasti kinni keeratud. Nii tagate niiduki ohutu töötamise.
- Ärge kunagi hoidke niidukit, mille paagis on kütust, suletud ruumis, sest kütuseaurud võivad kokku puutuda lahtise tule või sädemetega.
- Laske mootoril enne niiduki viimist kinnisesse ruumi maha jahtuda.
- Tuleoahu vältimiseks hoidke mootori, summuti, akukorpuse ja bensiinipaagi piirkond rohust, lehtedest ja liigest määrdest puhtana.
- Kontrollige regulaarselt rohkukogujat kulumise või vigastuste kindlakstegemiseks.
- Ohutuse tagamiseks vahetage kulunud või kahjustunud osad uute vastu.
- Kui kütusepaak vajab tühjendamist, tuleb seda alati teha välistingimustes.



HOIATUS: Ärge puudutage pöörlevat lõiketera.



HOIATUS: Lisage kütust hästi ventileeritud kohas seisatud mootoriga.

3. MURUNIIDUKI OSADE KIRJELDUS (Joon. 1, joon. 2, joon. 3, joon. 4)

Komplekti kuuluvad

A: Süüteküünlavõti

4. TEHNILISED ANDMED

Mudel	PLM4630	PLM4631	PLM4632	PLM5130
Mootori tüüp	B&S 675EX seeria, ReadyStart	B&S 675EX seeria, ReadyStart	B&S 750EX seeria, ReadyStart	B&S 750EX seeria, ReadyStart
Iseliikuv	Ei	Jah	Jah	Jah
Mootori töömaht	190 cm ³	190 cm ³	161 cm ³	161 cm ³
Tera laius	460 mm	460 mm	460 mm	510 mm
Nominaalne pöörlemissagedus	2800 p/min	2800 p/min	2800 p/min	2800 p/min
Kütusepaagi maht	1,0 l	1,0 l	1,0 l	1,0 l
Õlipaagi maht	0,6 l	0,6 l	0,6 l	0,6 l
Rohukoguja maht	60 l	60 l	60 l	65 l
Netomass	31,5 kg	34 kg	35 kg	38 kg
Kõrguse reguleerimine	20–75 mm, 8 reguleeritavat kõrgust	20–75 mm, 8 reguleeritavat kõrgust	20–75 mm, 8 reguleeritavat kõrgust	20–75 mm, 8 reguleeritavat kõrgust

	PLM4630	PLM4631	PLM4632	PLM5130
Garanteeritud helirõhu tase kasutaja töökohtal (EN ISO 3744, EN ISO 4871 järgi)	83,5 dB (A) (K=3 dB (A))	83,5 dB (A) (K=3 dB (A))	83,9 dB (A) (K=3 dB (A))	85,7 dB (A) (K=3 dB (A))
Mõõdetud müratugevuse tase	94,2 dB (A) K=1,95 dB (A)	94,2 dB (A) K=1,95 dB (A)	94,3 dB (A) K=1,80 dB (A)	95,9 dB (A) K=2,16 dB (A)
Garanteeritud müratugevuse tase (2000/14/EÜ järgi)	96 dB (A)	96 dB (A)	96 dB (A)	98 dB (A)
Vibratsioon (EN ISO 20643 järgi)	6,58 m/s ² K=1,5 m/s ²	6,58 m/s ² K=1,5 m/s ²	7,12 m/s ² K=1,5 m/s ²	6,53 m/s ² K=1,5 m/s ²

5. KOKKUPANEK

5-1 KOKKUPANDAVA KÄEPIDEME MONTEERIMINE

1. Kinnitage käepideme alumine osa käepideme toendi külge poldi, seibi ja lukustusnupuga. (Joon. 5)
2. Käepideme ülemise ja alumise osa ühendamiseks tõske üles kaks lukustushooba. (Joon. 6)
3. Käepidemete tööasendisse fikseerimiseks vajutage lukustushoovad kinni. (Joon. 7)
4. Pinguse reguleerimiseks keerake fiksaatormutrit sobiva mutrivõtmega. (Joon. 8)
5. Seadke kaabel käepideme toru kohale. Kinnitage see kaabliklambriga käepideme alumise osa külge niimoodi, et kaabel jääks käepideme toru välisküljele. (Joon. 9, joon. 10) Vastasel juhul võib kaabel jääda avatava/suletava tagumise katte vahele.

5-2 SOBIVA NURGA SEADISTAMINE

- 1) Tõmmake lukustushoob lahti.
- 2) Keerake nurga reguleerimismehhanismi käepideme ülemist osa, et reguleerida nurk sobivaks vahemikus -15° kuni 15° (3 asendit: -15°/0°/15°), nagu näidatud joon. 11.
- 3) Käepideme alumise ja ülemise osa ühendamiseks lükake lukustushoob kinni.

5-3 ROHUKOGUJA PAIGALDAMINE JA EEMALDAMINE

1. Paigaldamine: tõstke tagumine kate üles ja haakige rohkoguja niiduki tagaosa külge. (Joon. 12, joon. 13, joon. 14)
2. Eemaldamine: tõstke tagumine kate üles ja eemaldage rohkoguja.

5-4 STARTERI NÖÖRI KÄEPIDE

Viige starteri nõõri käepide mootorist starteri nõõri juhikusse. (Joon. 15)

5-5 LÕIKEKÕRGUS

Hoova vabastamiseks hammaste tagant suruge seda väljapoole. Lõikekõrguse reguleerimiseks lükake hooba ette- või tahapoole. (Joon. 16 ja vt punkti 7-9)

6. FUNKTSIOON

Neid muruniidukeid saab tavafunktsioonilt ümber seadistada vastavalt kasutuseesmärgile:

taha kogumisega muruniidukist:

1. multšimisniidukiks või
2. külgmise väljaviskesega niidukiks.

Mis on multšimine?

Multšimise puhul rohi kõigepealt lõigatakse, seejärel hekseldatakse peeneks ja juhatakse niidetud rohule loodusliku väetisena tagasi.

Nõuandeid multšimisega niitmiseks:

- niitke muru regulaarselt maks. 2 cm võrra lühemaks (rohu kõrguselt 6 cm kuni kõrguseni 4 cm);

- kasutage teravat lõiketera;
- ärge nitke märga rohtu;
- seadke mootori pöörlemissagedus maksimaalseks;
- nitke ainult normaalses töötempos;
- puhastage regulaarselt multšimiskiiu, korpuse sisemist poolt ja lõiketera.

Käivitamine

6-1 Ümberseadistamine multšimisniidukiks



HOIATUS: Teostage ainult siis, kui mootor on seisatud ja lõiketera ei liigu.

1. Tõstke tagumine kate üles ja eemaldage rohukoguja.
2. Lükake multšimiskiiu korpuse alla. Lukustage multšimiskiiu nupu abil korpuse all olevasse avausse. (Joon. 17, joon. 18)
3. Laske tagumine kate uuesti alla. (Joon. 19)
4. Tõstke külglapp üles ja eemaldage külgmise tühjendusrenn.

6-2 Ümberseadistamine külgmise väljaviskega niidukiks



Ainult siis, kui mootor ja lõiketera seisavad!

1. Tõstke tagumine kate üles ja eemaldage rohukoguja.
2. Paigaldage multšimiskiiu.
3. Tõstke külglapp küljelt tühjendamiseks üles. (Joon. 20)
4. Paigaldage külgmise tühjendusrenn küljelt tühjendamiseks külglapi tugitihvtile. (Joon. 21)
5. Langetage külglapp – külglapp toetub külgmisele tühjendusrennile. (Joon. 22)

6-3 Niitmine koos rohukogujaga



Teostage ainult siis, kui mootor on seisatud ja lõiketera ei liigu.

Kui niitmisel kasutatakse ka rohukogujat, siis tuleb multšimiskiiul ja külgmise tühjendusrenn eemaldada ning paigaldada rohukoguja.

1. Multšimiskiiu eemaldamine.
 - Tõstke tagumine kate üles ja eemaldage multšimiskiiu.
2. Külgmise tühjendusrenni eemaldamine.
 - Tõstke külglapp üles ja eemaldage külgmise tühjendusrenn.
 - Külglapp sulgeb korpuses oleva tühjendusava vedru abil automaatselt.
 - Puhastage külglappi ja tühjendusava regulaarselt sinna kogunenud murust ja prahist.
3. Paigaldage rohukoguja.
 - Paigaldamine. Tõstke tagumine kate üles ja haakige rohukoguja niiduki tagaosa külge.
 - Eemaldamine. Tõstke tagumine kate üles, eemaldage rohukoguja.

7. TÖÖ JUHISED

7-1 ENNE MOOTORI KÄIVITAMIST

Kasutage mootoris ainult sellist bensiini ja õli, nagu on kindlaks määratud eraldi mootori kasutusjuhendis, mis on teie niidukiga kaasa pandud. Lugege tähelepanelikult juhiseid. (Joon. 23, joon. 24, joon. 25, joon. 26)



HOIATUS: Bensiin on väga tuleohtlik.

Hoidke kütust selleks ettenähtud mahutites.

Lisage kütust ainult välistingimustes, tehke seda enne mootori käivitamist ning ärge suitsetage kütuse lisamise või käsitsemise ajal.

Ärge eemaldage kütusepaagilt korki ega lisage sinna kütust, kui mootor töötab või on kuum.

Kui olete bensiini maha loksutanud, siis ärge püüdke mootorit käivitada, vaid viige niiduk sellest piirkonnast eemale ja vältige enne bensiinaurude hajumist kõrvõimalikke süttimisohte.


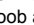
Keerake kütusepaagi ja -mahuti korgid tugevasti kinni.

Lõiketera hooldamiseks või õli välja kallamiseks tühjendage kütusepaak enne muruniiduki kallutamist.



HOIATUS: Ärge kunagi lisage kütust paaki suletud ruumis ega siis, kui mootor töötab. Kui mootor on äsja töötnud, siis oodake enne kütuse lisamist vähemalt 15 minutit.

7-2 MOOTORI KÄIVITAMINE JA LÕIKETERA SISSELÜLITAMINE

1. Niiduki süüteküünal on varustatud kummist piibuga, mis asub süüteküünla peal. Veenduge, et süüteküünla juhtme otsas olev metallist aas (kummist piibu sees) oleks tugevasti kinnitatud süüteküünla metallist otsa peale.
2. Külma mootori käivitamisel keerake seguklapi hoob asendisse „“.
3. Sooja mootori käivitamisel ja töötamise ajal keerake seguklapi hoob asendisse „“.
4. Seistes muruniiduki taga, haarake kinni turvapiduri hoovast ja hoidke seda vastu käepideme ülemist osa, nagu on näidatud **joon. 28**.
4. Haarake kinni starteri nõõri käepidemest, nagu on näidatud **joon. 28**, ja tõmmake seda kiiresti. Kui mootor käivitub, viige käepide aeglaselt nõõri juhiku poldile tagasi.

Mootori ja lõiketera seiskamiseks vabastage turvapiduri hoob.



Käivitage mootor vastavalt juhistele, hoides jalgu lõiketerast ohutus kauguses.



Ärge kallutage muruniidukit mootori käivitamise ajal. Käivitage muruniiduk tasasel pinnal, kus ei ole kõrget rohtu ega takistusi.



Hoidke käed ja jalad eemal pöörlevatest osadest. Ärge seiske mootori käivitamise ajal väljaviskeava ees.

7-3 TÕEPROTSEDUURID

Hoidke niitmise ajal turvapiduri hooba mõlema käega tugevasti vastu käepidet.

Märkus: Kui turvapiduri hoob niitmise ajal vabastatakse, siis mootor seiskub, peatades seeläbi muruniiduki töö.

7-4 MOOTORI SEISKAMINE



ETTEVAATUST: Lõiketera jääb pärast mootori väljalülitamist mõneks sekundiks pöörlema.

1. Mootori ja lõiketera seiskamiseks vabastage turvapiduri hoob. (**Joon. 29**)
2. Ühendage süüteküünlala juhe lahti ja maandage see, nagu kaasasolevas mootori kasutusjuhendis on öpetatud, et vältida ootamatut käivitumist sel ajal, kui niiduk on jäetud järelevalveta.


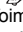
7-5 ÜHENDUS AUTOMAATSE LIIKUMISE JAOKS

PLM4631 jaoks

Haarake vabajooksu juhikust ning muruniiduk hakkab automaatselt liikuma edasi kiirusega umbes 3,6 km/h (**Joon. 30**). Laske vabajooksu hoob lahti ning muruniiduk peatub.

PLM4632, PLM5130 jaoks

Muruniiduki liikumiskiirust saab reguleerida vastava süsteemi abil, mis võimaldab valida 3 kiiruse vahel (3,0 km/h kuni 4,5 km/h).

Positsioon „“: kõige aeglasem positsioon; positsioon „“: kõige kiirem positsioon. (**Joon. 31**)

Toimige järgnevalt:

1. Laske vabajooksu juhik lahti, kuni muruniiduk ei liigu enam edasi;
2. Reguleerige teile sobivale kiirusele; (**Joon. 31**)
3. Haarake vabajooksu juhikust, et jätkata niitmist. (**Joon. 30**)



ETTEVAATUST: Teie muruniiduk on mõeldud niitma tavalist elumajade ümber olevat muru, mille kõrgus ei ületa 250 mm.

Ärge üritage niita ebaharilikult kõrget või märga rohtu (nt heinamaad) või niita läbi kuivanud lehekujude. Praht võib koguneda niiduki korpusele või puutuda vastu mootori väljalasketoru, mis võib viia tulekahjuni.

7-6 PARIMATE TULEMUSTE SAAVUTAMINE NIITMISEL

Puhastage muru prahist. Veenduge, et murul pole kive, pulkaside, traati või muid võõrkehi, mis võivad lõiketerade külge takerdudes ootamatult mis tahes suunas laiali paiskuda ning põhjustada tõsise kehavigastuse niiduki kasutajale ja teistele isikutele, samuti kahjustada vara ja muid ümbristsemeid esemeid. Ärge niitke märga rohtu. Tõhusamaks niitmiseks ärge niitke märga rohtu, sest see kipub korpuse alumisele küljele kleepuma, takistades mahalõigatud rohu õiget liikumist. Ärge niitke korraga maha rohkem kui 1/3 rohu esialgsest kõrgusest. Niitmise puhul on soovitatav maha niita 1/3 rohu esialgsest kõrgusest. Liikumiskiirust tuleks reguleerida selliseks, mis võimaldab tükeldatud rohtu ühtlaselt murule laiali puistata. Eriti tiheda rohu puhul tuleks vajadusel kasutada ühte

kõige aeglasematest kiirustest, et saavutada ühtlane hästi niidetud muru. Kui niidate kõrget rohtu, peaksite muru niitma kaks korda, langetades lõiketera teisel niitmisel veel 1/3 võrra esialgsest kõrgusest ning niites võib-olla mõne teise mustri järgi kui esimesel korral. Niiduradade väike kattuvus niitmisel aitab samuti saada ühtlasemat murupinda. Niiduk peaks alati töötama maksimaalsel pöörete arvul, et saavutada parim lõikus ja võimaldada niidukil niita kõige tõhusamalt. Puhastage niiduki korpuse alumist poolt. Puhastage korpuse alumist poolt kindlasti pärast igat kasutamist, et vältida rohu kogunemist, mis võib takistada õiget multšimist. Niitmine läbi lehtede. Lehtede niitmine on samuti kasulik teie murule. Lehtede niitmisel veenduge, et need on kuivad ega paikne rohul liiga paksu kihina. Ärge oodake seni, kuni kõik lehed on puudelt maha langenud, enne kui niitma hakkate.



HOIATUS: Kui niiduk pörkub vastu võõrkeha, seisake mootor. Eemaldage süüteküünlalt juhe, kontrollige niidukit põhjalikult, kas sellel pole kahjustusi, ja enne niiduki uuesti käivitamist teostage vajalikud parandustööd. Niiduki liiga suur vibratsioon töötamise ajal viitab kahjustusele. Niidukit tuleks kohe kontrollida ja remontida.

7-7 ROHUKOGUJA

Rohukoguja peal on tasemeindikaator, mis näitab, kas koguja on tühi või täis (**Joon. 32, joon. 33**):

- Kui koguja ei ole liikumise ajal täis, tõuseb tasemeindikaator üles. (**Joon. 33**)
- Kui koguja on täis, vajub indikaator alla; sellisel juhul lõpetage kohe niitmine ja tühjendage koguja. Kontrollige, kas see on puhas ja kas õhk pääseb selle võrest läbi. (**Joon. 32**)

TÄHTIS

Kui indikaatori ava asukoht on väga määrdunud, ei tõuse indikaator üles. Puhastage koheselt indikaatori ava asukoht.

7-8 KORPUS

Niiduki korpuse alumist poolt tuleks puhastada pärast igat kasutamist, et vältida niidetud rohu, lehtede, mulla ja muude võõrkehade kogunemist. Kui prügil lastakse koguneda, võib see põhjustada korrosiooni ja takistada nõuetekohast multšimist. Korpuse puhastamiseks võib niidukit kallutada ja kraapida seda puhtaks sobiva tööriistaga (kontrollige, et süüteküünlala juhe oleks lahti ühendatud).

7-9 LÕIKEKÕRGUSE REGULEERIMISE JUHISED



ETTEVAATUST: Mitte mingil juhul ei tohi muruniiduki reguleerimistööd teha enne, kui te pole kõigepealt seisanud mootorit ja ühendanud lahti süüteküünlala juhet.



ETTEVAATUST: Jätke niiduk enne lõikekõrguse muutmist seisma ja ühendage süüteküünlala juhe lahti.

Teie niiduk on varustatud ühe tsentraalse kõrguse reguleerimishoovaga, mis võimaldab valida 8 kõrguse asendi vahel.

Kõrgust (lõiketerast maapinnani) saab reguleerida vahemikus 20 mm kuni 75 mm (8 kõrguseasendit).

(Joon. 34)

Madalaim asend: 20 mm (1. positsioon), kõrgeim asend: 75 mm (8. positsioon).

1. Jätke niiduk enne lõikekõrguse muutmist seisma ja ühendage süüteküünla juhe lahti.
2. Tsentraalne kõrguse reguleerimishoob võimaldab teil kasutada 8 erinevat kõrguse asendit. (Joon. 34)

Lõikekõrguse muutmiseks suruge reguleerimishooba ratta suunas ja liigutage seda üles- või allapoole valitud kõrgusele.

8. HOOLDUSJUHISED

SÜÜTEKÜÜNAL

Kasutage väljavahetamiseks ainult originaalset süüteküünalt. Parimate tulemuste saavutamiseks vahetage süüteküünal välja iga 100 töötunni järel.

9. MÄÄRIMISJUHISED



ETTEVAATUST: ÜHENDAGE SÜÜTEKÜÜNLA JUHE ENNE HOOLDUST LAHTI.

1. RATTAD. Määrige kõigi rataste kuullaagreid vähemalt üks kord hooaja jooksul kerge õliga.
2. MOOTOR. Järgige mootori kasutusjuhendis antud määrimisjuhiseid.

10. PUHASTAMINE



ETTEVAATUST: Ärge kasutage mootori puhastamiseks veejuga. Vesi võib mootorit kahjustada või saastada kütusesüsteemi.

1. Puhastage korpust kuiva lapiga.
2. Puhastage niiduki korpuse alumist poolt veejoaga, kallutades niidukit niimoodi, et süüteküünal jääb ülespoole.

10-1 MOOTORI ÕHUPUHASTI



ETTEVAATUST: Ärge laske mustusel või tolmul ummistada õhufiltri porolonelementi. Mootori õhupuhasti elementi tuleb hooldada (puhastada) iga 25 töötunni järel normaalsetes tingimustes niitmise korral.

Porolonelementi tuleb hooldada regulaarselt, kui muruniidukit kasutatakse kuivades tolmustes tingimustes.

ÕHUFILTRI PUHASTAMINE

1. Eemaldage kruvi. (Joon. 35 mudelite PLM4632 ja PLM5130 kohta)
2. Eemaldage lukustusnupp. (Joon. 36 mudelite PLM4630 ja PLM4631 kohta)
3. Eemaldage filtrikate.
4. Peske filtri elementi seebiveses. **ÄRGE KASUTAGE BENSINI!**
5. Laske filtri elemendil õhu käes kuivada.

6. Tilgutage poroloonfiltrile mõned tilgad SAE30 õli ja pigistage kõvasti, et liigne õli eemaldada.

7. Paigaldage filter tagasi.

MÄRKUS: Vahetage filter välja, kui see on hõredaks kulunud, rebenenud, muul viisil kahjustunud või siis, kui seda ei saa enam puhastada.

10-2 LÕIKETERA



ETTEVAATUST: Ühendage süüteküünla juhe enne lõiketera kallal töötamist kindlasti lahti ja maandage see, et vältida mootori juhuslikku käivitumist. Kaitske käsi, kandes pakse kindaid või kasutage lõiketerade haaramiseks lappi. Kallutage niidukit niimoodi, nagu kaasasolevas mootori kasutusjuhendis on kindlaks määratud. Eemaldage kuuskantpolt ja seib, mis hoiavad lõiketera ja lõiketera adapterit mootori vāntvõlli küljes kinni. Eemaldage lõiketera ja lõiketera adapter mootori vāntvõlli küljest.



HOIATUS: Kontrollige regulaarselt lõiketera adapterit, et sellel poleks pragusid, eelkõige siis, kui niiduk on põrkunud vastu võrkeha. Vajadusel vahetage adapter välja.

Parimate tulemuste saavutamiseks peab lõiketera olema terav. Lõiketera saab uuesti teritada. Selleks tuleb see eemaldada ning teritada või viilida lõikeserva, säilitades võimalikult täpse originaalfaasi. Väga tähtis on, et kõiki lõikeservi viilistatakse ühtlaselt, vältimaks lõiketera tasakaalustamatust. Lõiketera vale tasakaal põhjustab ülemäärast vibratsiooni, mille tagajärjel võivad tekkida juhuslikud mootoririkked ja niiduki kahjustused. Pärast lõiketera teritamist tasakaalustage seda hoolikalt. Lõiketera tasakaalu saab kontrollida, tasakaalustades lõiketera ümara varrega kruvikeerajal. Eemaldage metalli raskemalt küljelt, kuni lõiketera tasakaalustub ühtlaselt. (Joon. 37)

Enne lõiketera ja adapteri monteerimist seadme külge määrige mootori vāntvõlli ja lõiketera adapteri sisemist pinda kerge õliga. Paigaldage lõiketera adapter vāntvõlli külge. Vt **joon. 37**. Paigaldage adapter lõiketera sellele küljele, millel pole osa numbrit. Seadke seib lõiketera auguga kohakuti ja sisestage kuuskantpolt. Pingutage kuuskantpolti vastavalt allpool antud pöordemomendile.

10-3 LÕIKETERA MONTEERIMISE PÖORDEMOMENT

Pingutage keskpolti momendiga 40 Nm–50 Nm, et tagada seadme ohutu töö. Kontrollige regulaarselt, et kõik mutrid ja poldid oleksid korralikult kinni keeratud.

Pärast pikaajalist töötamist, eriti liivasel pinnal, lõiketera kulub ja kaotab mingil määral oma originaalse kuju. Selle tagajärjel niitmise tõhusus väheneb ning lõiketera tuleks välja vahetada. Kasutage väljavahetamiseks ainult tehase poolt heakskiidetud lõiketera. Tootja ei vastuta lõiketera tasakaalustamatuse tagajärjel tekkida võivate kahjustuste eest.

Kasutage väljavahetamiseks ainult originaal lõiketera, mille tüüp on märgitud lõiketerale (MAKITA 263001451 mudelitele PLM4630/PLM4631/PLM4632, MAKITA 263002552 mudelile PLM5130) (lõiketera tellimiseks

pöörduge kohaliku müügiesindaja poole või helistage meie ettevõttesse, vt avalehekülg).

10-4 MOOTOR

Lugege mootori hooldusjuhiseid eraldi mootori kasutusjuhendist.

Säilitage mootoriõli vastavalt mootori kasutusjuhendis antud juhistele. Lugege ja järgige juhiseid tähelepanelikult.

Kui töotate muruniidukiga normaalsetes tingimustes, siis hooldage õhupuhastit vastavalt mootori kasutusjuhendis antud juhistele.

Kui töotate väga tolmustes tingimustes, siis puhastage õhupuhastit iga mõne tunni järel. Mootori väike jõudlus ja ülejutus viitavad tavaliselt sellele, et õhupuhastit tuleks hooldada.

Lugege õhupuhastite hooldusjuhiseid teie niidukiga kaasasolevast mootori kasutusjuhendist.

Süüteküünalt tuleks puhastada ja elektrootid vahet reguleerida üks kord hooaja jooksul. Soovitav on, et vahetaksite süüteküünla välja iga niitmishooaja alguses. Kontrollige mootori kasutusjuhendist õiget süüteküünla tüüpi ja elektrootid vahet tehnilisi nõudeid.

Puhastage mootorit regulaarselt lapi või harjaga. Hoidke jahutussüsteem (ventilaatori korpuse piirkond) puhtana, et võimaldada nõuetekohast õhuringlust, mis on oluline mootori jõudluse ja ettenähtud kasutusea säilitamiseks. Eemaldage summuti piirkonnast kindlasti kogu rohi, muld ja tuleohtlik prügi.

11. HOIUSTAMISE JUHISED (PÄRAST HOOAJA LÕPPEMIST)

Muruniiduki ettevalmistamisel hoiustamiseks tuleb teostada järgmised toimingud.

1. Kütusepaak tuleb pärast hooaja viimast niitmist tühjaks lasta.

a) Tühjendage bensiinipaak imipumba abil.



ETTEVAATUST: Ärge tühjendage niidukit bensiinist suletud ruumis, lahtise tule läheduses jne. Ärge suitsetage! Bensiiniaurud võivad põhjustada plahvatuse või tulekahju.

- b) Käivitage mootor ja laske sel töötada seni, kuni kogu bensiin on ära tarbitud ja mootor seiskub.
- c) Eemaldage süüteküünal. Lisage põlemiskambris õlikannu abil u. 20 ml õli. Kasutage õli ühtlaseks jaotumiseks põlemiskambris starterit. Vahetage süüteküünal välja.
2. Puhastage ja määrige muruniidukit hoolikalt, nagu on kirjeldatud osas „MÄÄRIMISJUHISED“.
3. Määrige veidi ka lõiketera, et vältida roostetamist.
4. Hoidke muruniidukit kuivas, puhtas, pakase ja kõrvaliste isikute eest kaitstud kohas.



ETTEVAATUST: Mootor peab enne muruniiduki hoiule panekut olema täiesti maha jahtunud.



MÄRKUS:

- Mis tahes tüüpi elektriseadmete hoiustamisel ventilatsioonita ruumis või materjalilao varjualuses tuleks seadet kindlasti kaitsta roostetõrjevahendiga.
- Kasutage kerget õli või siilikooni ning kandke seda seadmele, eelkõige kaablitele ja kõigile liikuvatele osadele.
- Jälgige, et te ei painutaks kaableid ega ajaks neid keerdu.
- Kui starteri nõör eemaldub käepidemel olevast nõõri juhikust, ühendage süüteküünla juhe lahti ja maandage see. Vajutage turvapiduri hoob alla ja tõmmake starteri nõör aeglaselt mootorist välja. Libistage starteri nõör käepidemel olevasse nõõri juhiku polti.

Transportimine

Lülitage mootor välja. Veenduge, et muruniiduki lükkamisel üle takistuste ei painutataks ega kahjustataks lõiketera.

12. VEAOTSING

PROBLEEM	VÕIMALIK PÕHJUS	VEA KÕRVALDAMINE
Mootor ei käivitu.	Seguklapi asend ei vasta töötingimustele.	Viige seguklapp õigesse asendisse.
	Kütusepaak on tühi.	Lisage paaki kütust. Vt MOOTORI KASUTUSJUHEND.
	Õhupuhasti element on määrdunud.	Puhastage õhupuhasti elementi. Vt MOOTORI KASUTUSJUHEND.
	Süüteküünal on lahti.	Pingutage süüteküünalt, kasutades pöördemomenti kuni 25–30 Nm.
	Süüteküünla juhe on lahti või süüteküünla küljest lahti ühendatud.	Paigaldage süüteküünla juhe süüteküünlale.
	Süüteküünla elektroodide vahe on vale.	Reguleerige elektroodide vahet, see peab olema 0,7 kuni 0,8 mm.
	Süüteküünal on rikkis.	Paigaldage uus süüteküünal ja seadistage õige elektroodide vahe. Vt MOOTORI KASUTUSJUHEND.
	Karburaator on kütusest üleujutatud.	Eemaldage õhupuhasti element ja tõmmake pidevalt starteri nõõri, kuni karburaator puhastub, ning paigaldage õhupuhasti element.
Mootorit on raske käivitada või võimsus puudub.	Süütemoodul on rikkis.	Võtke ühendust hooldusteenindusega.
	Mustus, vesi või vana kütus kütusepaagis.	Tühjendage kütusepaak ja puhastage see. Täitke paak uue puhta kütusega.
	Kütusepaagi korgi õhuava on tõkestatud.	Puhastage kütusepaagi korki või vahetage see välja.
Mootor töötab ebauhtlaselt.	Õhupuhasti element on määrdunud.	Puhastage õhupuhasti elementi.
	Süüteküünal on rikkis.	Paigaldage uus süüteküünal ja seadistage õige elektroodide vahe. Vt MOOTORI KASUTUSJUHEND.
	Süüteküünla elektroodide vahe on vale.	Reguleerige elektroodide vahet, see peab olema 0,7 kuni 0,8 mm.
Mootor töötab tühikäigul kehvasti.	Õhupuhasti element on määrdunud.	Puhastage õhupuhasti elementi. Vt MOOTORI KASUTUSJUHEND.
	Mootorikatte õhuavad on blokeeritud.	Eemaldage prügi õhutusavadelt.
	Mootori ventilaatori korpuse all olevad jahutusribid ja õhutusavad on blokeeritud.	Eemaldage prügi jahutusribidelt ja õhutusavadelt.
Mootor jätab suurel pöörete arvil töötades takte vahele.	Süüteküünla elektroodide vahe on liiga väike.	Reguleerige elektroodide vahet, see peab olema 0,7 kuni 0,8 mm.
Mootor kuumeneb üle.	Jahutusõhu ringlus on tõkestatud.	Eemaldage mootorikatte piludelilt, ventilaatori korpusest ja õhutusavadelt igasugune prügi.
	Vale süüteküünal.	Mudelid PLM4630/PLM4631: Paigaldage süüteküünal RJ19LMC ja jahutusribid mootorile. Mudelid PLM4632/PLM5130: Paigaldage süüteküünal QC12YC ja jahutusribid mootorile.
Niiduk vibreerib liigselt.	Lõikemehhanism on lahti.	Pingutage lõiketera.
	Lõikemehhanism ei ole tasakaalus.	Tasakaalustage lõiketera.

13. KESKKOND

Kui peaksite oma muruniiduki pärast pikaajalist kasutamist uue vastu välja vahetama, siis ärge pange vana niidukit olmejäätmete hulka, vaid kõrvaldage see kasutusest keskkonnaohutult viisil.

Tehnilised andmed: vt „4. TEHNILISED ANDMED“ on

AINULT EUROOPA RIIGID

EÜ vastavusdeklaratsioon

Makita korporatsiooni vastutava tootjana kinnitame, et alljärgnev(ad) Makita seade (seadmed):

Masina tähistus: Bensiniimootoriga muruniiduk

Mudeli nr/tüüp: PLM4630, PLM4631, PLM4632, PLM5130 seeriatootmises ning

vastab järgmiste Euroopa direktiivide nõuetele:

2004/108/EÜ, 2006/42/EÜ,
2000/14/EÜ ja 2005/88/EÜ

Ning on toodetud vastavalt järgmistele standarditele või
standardiseeritud dokumentidele:

EN 836, EN ISO 14982

Tehnilist dokumentatsiooni hoitakse ettevõttes:

Makita International Europe Ltd.,
Technical Department,
Michigan Drive, Tongwell,
Milton Keynes, Bucks MK15 8JD, Inglismaa

Vastavushindamise protseduur direktiivi 2000/14/EÜ
alusel oli kooskõlas lisaga VI.

Teavitatud asutus:

TÜV SÜD Industrie Service GmbH
Westendstraße 199, D-80686 München
ID-number: 0036

Mudel: PLM4630, PLM4631

Mõõdetud müratugevuse tase: 94,2 dB (A)
Garanteeritud müratugevuse tase: 96 dB (A)

Mudel: PLM4632

Mõõdetud müratugevuse tase: 94,3 dB (A)
Garanteeritud müratugevuse tase: 96 dB (A)

Mudel: PLM5130

Mõõdetud müratugevuse tase: 95,9 dB (A)
Garanteeritud müratugevuse tase: 98 dB (A)

30. 11. 2012



Tomoyasu Kato
Direktor
Makita Corporation
3-11-8, Sumiyoshi-cho,
Anjo, Aichi, 446-8502, JAPAN

Objaśnienia do widoku ogólnego

- | | | |
|----------------------------------|----------------------------------|---|
| 1. Uchwyt sterowania hamulcem | 12. Kłapa boczna | 23. Podkładka |
| 2. Górna część uchwytu | 13. Korpus | 24. Pokrętko blokujące |
| 3. Uchwyt wyłącznika napędu | 14. Świeca zapłonowa | 25. Nakrętka zabezpieczająca |
| 4. Dźwignia ssania | 15. Korek wlewu oleju | 26. Mechanizm regulacji kąta |
| 5. Uchwyt rozrusznika | 16. Korek wlewu paliwa | 27. Przycisk |
| 6. Prowadnica linki | 17. Opaska zaciskowa przewodu | 28. Korek wlewu oleju/prętoty
wskaźnik poziomu oleju |
| 7. Dźwignia blokady | 18. Pierścień mocujący przewód | 29. Maks.: górny limit |
| 8. Dolna część uchwytu | 19. Dźwignia regulacji prędkości | 30. Min.: dolny limit |
| 9. Kosz na trawę | 20. Klin rozdrabniający | 31. Wkręt |
| 10. Dźwignia regulacji wysokości | 21. Wskaźnik poziomu | |
| 11. Wyrzut boczny | 22. Śruba | |



OSTRZEŻENIE:

Ze względów bezpieczeństwa należy przeczytać niniejszą instrukcję przed rozpoczęciem eksploatacji nowego urządzenia. Nieprzestrzeganie instrukcji może być przyczyną poważnego wypadku. Należy poświęcić chwilę na zapoznanie się z kosiarką przed rozpoczęciem użytkowania.

1. SYMBOLE UMIESZCZONE NA URZĄDZENIU



Należy przeczytać instrukcję obsługi.



Osoby postronne nie powinny zbliżać się do kosiarki.



Należy zwracać szczególną uwagę na dłonie i stopy, aby uniknąć obrażeń.



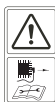
Paliwo jest łatwopalne, nie zbliżać się z otwartym ogniem. Nie wolno uzupełniać paliwa w pracującym urządzeniu.



Toksyczne opary; nie uruchamiać w pomieszczeniach.



Podczas koszenia należy nosić okulary ochronne i zatyczki do uszu.



Podczas naprawy należy wymontować świecę zapłonową, a następnie naprawić ją zgodnie z instrukcją obsługi.



Uwaga: Silnik jest gorący.

2. OGÓLNE ZASADY BEZPIECZEŃSTWA



OSTRZEŻENIE: Podczas pracy z urządzeniami spalinywymi należy przestrzegać podstawowych zasad bezpieczeństwa, również tych podanych poniżej, aby zmniejszyć niebezpieczeństwo obrażeń lub szkód materialnych. Należy przeczytać wszystkie instrukcje przed rozpoczęciem użytkowania urządzenia – należy je zachować do przyszłego wykorzystania.



OSTRZEŻENIE: Podczas pracy urządzenie wytwarza pole elektromagnetyczne. W pewnych warunkach pole to może zakłócać pracę aktywnych lub pasywnych implantów medycznych. Aby zmniejszyć ryzyko poważnych lub śmiertelnych obrażeń, zalecamy osobom z implantami medycznymi skonsultowanie się z lekarzem i producentem implantów medycznych przed przystąpieniem do obsługi tego urządzenia.

Zaznajomienie się z urządzeniem

- Należy uważnie przeczytać niniejszą instrukcję. Należy zapoznać się z elementami sterowania i zasadami właściwego użytkowania urządzenia.
- Nie wolno dopuszczać, aby kosiarkę do trawy używały dzieci lub osoby, które nie zapoznały się z niniejszą instrukcją. Lokalne przepisy mogą ograniczać wiek użytkownika urządzenia.
- Nie wolno kosić, gdy w pobliżu znajdują się inne osoby (zwłaszcza dzieci) oraz zwierzęta.
- Należy pamiętać, że operator lub użytkownik odpowiada za wypadki lub niebezpieczeństwa zagrażające innym osobom lub ich mieniu.

Przygotowanie

- Podczas koszenia należy zawsze nosić odpowiednio mocne obuwie i długie spodnie. Nie wolno używać urządzenia, nie mając na stopach obuwia lub nosząc otwarte sandały.
- Należy dokładnie sprawdzić obszar, na którym ma być użytkowana kosiarka i usunąć wszystkie przedmioty, które mogą zostać wyrzucone przez urządzenie.
- **OSTRZEŻENIE** – benzyna jest bardzo łatwopalna.
 - należy ją przechowywać w pojemnikach przeznaczonych do tego celu;
 - paliwo można uzupełniać tylko na wolnym powietrzu; nie wolno palić podczas uzupełniania paliwa;
 - paliwo należy uzupełnić przed uruchomieniem silnika. nie wolno zdejmować korka wlewu paliwa lub uzupełniać paliwa, gdy silnik pracuje lub gdy jest rozgrzany;
 - w przypadku, gdy benzyna zostanie rozlana, nie wolno uruchamiać silnika, ale przesunąć urządzenie z dala od obszaru pokrytego paliwem oraz zapobiegać powstaniu zapłonu aż do chwili, gdy opary benzyny ulotnią się;
 - należy sprawdzić, czy wszystkie korki wlewu paliwa i innych zbiorników są bezpiecznie założone.
- Wymienić wadliwe tłumiki.
- Przed rozpoczęciem użytkowania należy sprawdzić urządzenie, aby upewnić się, że noże, śruby mocujące noże oraz układ tnący nie są zużyte lub uszkodzone. W przypadku zużycia lub uszkodzenia noży lub śrub mocujących należy wymienić cały zestaw, aby układ tnący był odpowiednio wyważony.

Praca

- Nie wolno użytkować silnika w zamkniętym pomieszczeniu, gdzie mogą gromadzić się niebezpieczne opary tlenku węgla.
- Należy kosić tylko przy świetle dziennym lub odpowiednio silnym sztucznym oświetleniu.
- W miarę możliwości należy unikać koszenia mokrej trawy.
- Podczas pracy na pochyłościach należy pamiętać, aby pewnie stać na podłożu.
- Podczas koszenia należy chodzić, a nie biegać.
- W przypadku kosiarek kołowych, należy kosić zawsze w poprzek pochyłości, nigdy pod górę lub w dół.
- Należy zachować szczególną ostrożność przy zmianie kierunku na pochyłościach.
- Nie kosić pochyłości o bardzo dużym kącie nachylenia.
- Należy zachować najwyższą ostrożność przy cofaniu lub przyciąganiu kosiarki do trawy do siebie.
- Należy wyłączyć nóż/noże, w przypadku konieczności przechylenia kosiarki do trawy, aby przebyć powierzchnię inną niż trawa oraz na czas przejazdu do i z obszaru, na którym będzie użytkowana.
- Nie użytkować kosiarki do trawy z uszkodzonymi osłonami lub ze zdjętymi zabezpieczeniami, takimi jak wyrzutnik lub kosz na trawę.
- Nie wolno zmieniać ustawień regulatora silnika lub doprowadzać silnik do nadmiernych obrotów.
- Przed uruchomieniem silnika należy odłączyć wszystkie noże oraz sprzęgła napędu.

- Silnik należy uruchamiać zgodnie z instrukcją, stojąc z dala od noża(y).
- Nie wolno przechylać kosiarki do trawy podczas uruchamiania silnika.
- Nie uruchamiać silnika, stojąc przed wyrzutnikiem.
- Nie zbliżać dłoni ani stóp do części obrotowych. Nigdy nie należy stawać przed otworem wyrzutnika.
- Nie podnosić ani nie przenosić kosiarki do trawy, gdy silnik pracuje.
- W następujących przypadkach należy zatrzymać silnik i odłączyć przewód świecy zapłonowej, upewniając się, że wszystkie części ruchome przestały się poruszać; jeśli urządzenie jest wyposażone w kluczyk zapłonu, należy go wyjąć:
 - przed usuwaniem trawy blokującej nóż lub odblokowaniem wyrzutnika;
 - przed sprawdzaniem, czyszczeniem lub pracą przy kosiarce do trawy;
 - po uderzeniu o przeszkodę. Należy sprawdzić, czy kosiarka do trawy nie jest uszkodzona i dokonać ewentualnej naprawy przed ponownym uruchomieniem i użytkowaniem kosiarki do trawy;
 - jeśli kosiarka do trawy zaczyna wibrować w nietypowy sposób (należy natychmiast sprawdzić przyczynę).
- W następujących przypadkach należy zatrzymać silnik i odłączyć przewód świecy zapłonowej, upewniając się, że wszystkie części ruchome przestały się poruszać; jeśli urządzenie jest wyposażone w kluczyk zapłonu, należy go wyjąć:
 - zawsze, gdy jest pozostawiana bez nadzoru;
 - przed uzupełnieniem paliwa.
- Należy zmniejszyć otwarcie przepustnicy podczas wyłączania silnika; jeśli silnik jest wyposażony w zawór odcinający, należy odciąć dopływ paliwa po zakończeniu pracy.

Konserwacja i przechowywanie

- Należy sprawdzić, czy wszystkie nakrętki, śruby i wkręty są dokręcone, co pozwoli utrzymać urządzenie w odpowiednim stanie technicznym.
- Nie przechowywać urządzenia z paliwem w zbiorniku w pomieszczeniu, gdzie opary paliwa mogą dotrzeć do iskry lub otwartego płomienia.
- Przed odniesieniem urządzenia do pomieszczenia w celu jego przechowywania należy poczekać, aż silnik ostygnie.
- Aby zmniejszyć zagrożenie pożarowe, należy zwracać uwagę, aby silnik, tłumik, przedział akumulatora oraz obszar przechowywania paliwa nie były pokryte trawą, liśćmi lub nadmierną ilością smaru.
- Należy często sprawdzać kosz na trawę pod kątem zużycia lub uszkodzenia.
- Ze względów bezpieczeństwa należy wymieniać zużyte lub uszkodzone części.
- W przypadku konieczności opróżnienia zbiornik paliwa, należy czynność tę wykonać na wolnym powietrzu.



OSTRZEŻENIE: Nie dotykać obracającego się noża.



OSTRZEŻENIE: Paliwo należy uzupełniać w przewidzianym miejscu przy wyłączonym silniku.

3. OPIS CZĘŚCI (Rys. 1, Rys. 2, Rys. 3, Rys. 4)

Zestaw obejmuje:

A: Klucz do świec zapłonowych

4. DANE TECHNICZNE

Model	PLM4630	PLM4631	PLM4632	PLM5130
Typ silnika	Seria B&S 675EX, ReadyStart	Seria B&S 675EX, ReadyStart	Seria B&S 750EX, ReadyStart	Seria B&S 750EX, ReadyStart
Własny napęd	Nie	Tak	Tak	Tak
Pojemność skokowa silnika	190 cm ³	190 cm ³	161 cm ³	161 cm ³
Szerokość noża	460 mm	460 mm	460 mm	510 mm
Prędkość obrotowa	2 800 obr/min	2 800 obr/min	2 800 obr/min	2 800 obr/min
Pojemność zbiornika paliwa	1,0 l	1,0 l	1,0 l	1,0 l
Pojemność zbiornika oleju	0,6 l	0,6 l	0,6 l	0,6 l
Pojemność kosza na trawę	60 l	60 l	60 l	65 l
Masa netto	31,5 kg	34 kg	35 kg	38 kg
Regulacja wysokości	20-75 mm, 8-stopniowa	20-75 mm, 8-stopniowa	20-75 mm, 8-stopniowa	20-75 mm, 8-stopniowa

	PLM4630	PLM4631	PLM4632	PLM5130
Gwarantowany poziom ciśnienia akustycznego na stanowisku operatora (zgodnie z EN ISO 3744, EN ISO 4871)	83,5 dB (A) (K=3 dB (A))	83,5 dB (A) (K=3 dB (A))	83,9 dB (A) (K=3 dB (A))	85,7 dB (A) (K=3 dB (A))
Zmierzony poziom mocy akustycznej	94,2 dB (A) K=1,95 dB (A)	94,2 dB (A) K=1,95 dB (A)	94,3 dB (A) K=1,80 dB (A)	95,9 dB (A) K=2,16 dB (A)
Gwarantowany poziom mocy akustycznej (zgodnie z 2000/14/WE)	96 dB (A)	96 dB (A)	96 dB (A)	98 dB (A)
Drgania (zgodnie z EN ISO 20643)	6,58 m/s ² K=1,5 m/s ²	6,58 m/s ² K=1,5 m/s ²	7,12 m/s ² K=1,5 m/s ²	6,53 m/s ² K=1,5 m/s ²

5. MONTAŻ

5-1 MONTAŻ SKŁADANEGO UCHWYTU

- Przymocować dolną część uchwytu do wspornika uchwytu za pomocą śruby, podkładki i pokrętła blokującego. **(Rys. 5)**
- Podnieść obydwie dźwignie blokady, aby połączyć górną i dolną część uchwytu. **(Rys. 6)**
- Aby zablokować uchwyt w pozycji do pracy, należy zablokować dźwignię blokady w położeniu zamkniętym. **(Rys. 7)**
- Wyregulować napięcie, obracając nakrętkę zabezpieczającą za pomocą odpowiedniego klucza. **(Rys. 8)**
- Umieścić przewód na rurze uchwytu. Przytwierdzić przewód na środkowym odcinku dolnej części uchwytu przy użyciu opaski zaciskowej przewodu. Upewnić się, że przewód został poprowadzony po zewnętrznej stronie uchwytu. **(Rys. 9, Rys. 10)** W przeciwnym wypadku przewód może zostać pochwycony podczas otwierania/zamykania tylnej pokrywy.

5-2 USTAWIANIE ODPOWIEDNIEGO KĄTA

- Pociągnąć dźwignię blokady w celu jej zwolnienia.

- Obracając górną część uchwytu względem wyosowanego mechanizmu regulacji kąta ustawić odpowiedni kąt w zakresie od -15° do 15° (3-stopniowa skala: -15°/0°/15°), jak pokazano na **Rys. 11**.
- Aby połączyć dolną i górną część uchwytu, należy zablokować dźwignię blokady w położeniu zamkniętym.

5-3 MONTAŻ I DEMONTAŻ KOSZA NA TRAWĘ

- Aby zamocować: należy unieść tylną pokrywę i zaczepić kosz na trawę na tylnej części korpusu kosiarki. **(Rys. 12, Rys. 13, Rys. 14)**
- Aby zdjąć: należy chwycić i unieść tylną pokrywę, a następnie zdjąć kosz na trawę.

5-4 UCHWYT ROZRUSZNIKA

Przesunąć uchwyt rozrusznika od silnika do prowadnicy linki. **(Rys. 15)**

5-5 WYSOKOŚĆ CIĘCIA

Nacisnąć od zewnątrz, aby wyczepić dźwignię z zaczepu. Przesunąć dźwignię w przód lub w tył, aby zmienić wysokość. **(Rys. 16 oraz patrz punkt 7-9)**

6. FUNKCJONALNOŚĆ

Funkcjonalność tych kosiarek do trawy można zmieniać odpowiednio do zastosowania:

Z kosiarki do trawy z wyrzutem tylnym na:

1. kosiarkę rozdrabniającą lub
2. kosiarkę z wyrzutem bocznym.

Co to jest rozdrabnianie?

Podczas rozdrabniania trawa jest ścinana, a następnie drobno szatkowana i rozsypywana na pasie trawy jako nawóz.

Wskazówki dotyczące koszenia z rozdrabnianiem:

- Regularnie przycinać maks. o 2 cm trawy, z 6 cm do 4 cm wysokości.
- Stosować ostry nóż tnący.
- Nie kosić wilgotnej trawy.
- Ustawić maksymalną prędkość silnika.
- Przesuwać kosiarkę z prędkością roboczą.
- Regularnie czyścić klin rozdrabniający, wewnętrzną stronę obudowy oraz ostrze noża.

Rozpoczęcie pracy

6-1 Przygotowanie do koszenia za pomocą kosiarki rozdrabniającej



OSTRZEŻENIE: Tylko gdy silnik jest wyłączony, a nóż zatrzymany.

1. Unieść tylną pokrywę i wyjąć kosz na trawę.
2. Wcisnąć klin rozdrabniający w korpus. Zablokować klin rozdrabniający przy użyciu przycisku w wycięciu w korpusie. (Rys. 17, Rys. 18)
3. Ponownie opuścić tylną pokrywę. (Rys. 19)
4. Unieść boczną kłapę i wyjąć wyrzutnik.

6-2 Przygotowanie do koszenia z wyrzutem bocznym



Tylko, kiedy silnik i nóż zostały zatrzymane!

1. Podnieść tylną pokrywę i wyjąć kosz na trawę.
2. Zamontować klin rozdrabniający.
3. Unieść boczną kłapę do wyrzutu bocznego. (Rys. 20)
4. Zamontować wyrzutnik do wyrzutu bocznego na sworzniu bocznej kłapy. (Rys. 21)
5. Opuścić boczną kłapę – kłapa opiera się na wyrzutniku. (Rys. 22)

6-3 Koszenie z koszem na trawę



Tylko gdy silnik jest wyłączony, a układ tnący zatrzymany.

Aby kosić z koszem na trawę należy wyjąć klin rozdrabniający i wyrzutnik do wyrzutu bocznego, a następnie zamontować kosz na trawę.

1. Wyjmowanie klina rozdrabniającego.
 - Unieść tylną pokrywę i wyjąć klin rozdrabniający.
2. Wyjmowanie wyrzutnika do wyrzutu bocznego.
 - Unieść boczną kłapę i wyjąć wyrzutnik.
 - Sprężyna w bocznej kłapie automatycznie zamknie otwór wyrzutnika w obudowie.

- Należy regularnie czyścić boczną kłapę i otwór wyrzutnika z resztek trawy i zabrudzeń.

3. Montaż kosza na trawę.

- Aby zamocować: należy unieść tylną pokrywę i zaczeplić kosz na trawę na tylnej części korpusu kosiarki.
- Aby zdjąć: chwycić i unieść tylną pokrywę, a następnie zdjąć kosz na trawę.

7. INSTRUKCJE UŻYTKOWANIA

7-1 PRZED URUCHOMIENIEM

Należy uzupełniać poziom benzyny i oleju w silniku zgodnie z oddzielną instrukcją obsługi silnika dołączoną do kosiarki. Należy uważnie przeczytać tę instrukcję.

(Rys. 23, Rys. 24, Rys. 25, Rys. 26)



OSTRZEŻENIE: Benzyna jest bardzo łatwopalna.

Należy ją przechowywać w pojemnikach przeznaczonych do tego celu.

Paliwo można uzupełniać tylko na wolnym powietrzu, przed uruchomieniem silnika; nie wolno palić podczas uzupełniania lub przelewania paliwa.

Nie wolno zdejmować korka wlewu paliwa lub uzupełniać paliwa, gdy silnik pracuje lub gdy jest rozgrzany.

W przypadku, gdy benzyna zostanie rozlana, nie wolno uruchamiać silnika, ale przesunąć urządzenie z dala od obszaru pokrytego paliwem oraz zapobiegać wystąpieniu zapłonu, aż do chwili, gdy opary benzyny ulotnią się.

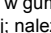
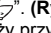
Należy sprawdzić, czy wszystkie korki wlewu paliwa i innych zbiorników są prawidłowo zamocowane.

Przed przechyleniem lub obroceniem kosiarki do trawy w celu konserwacji noża lub usunięcia oleju należy opróżnić zbiornik paliwa.



OSTRZEŻENIE: Nie wolno napełniać zbiornika paliwa w zamkniętych pomieszczeniach, przy pracującym silniku; po pracy należy odczekać, aż silnik ochłodzi się przez co najmniej 15 minut po wyłączeniu.

7-2 ABY URUCHOMIĆ SILNIK I ZAŁĄCZYĆ NÓŻ

1. Urządzenie jest wyposażone w gumową fajkę na końcówce świecy zapłonowej; należy upewnić się, że metalowa pętla na końcu przewodu świecy zapłonowej (wewnątrz fajki) jest prawidłowo przymocowana na metalowym styku świecy zapłonowej.
2. Przy rozruchu silnika zimnego należy przestawić dźwignię ssania w położenie „”. W przypadku uruchamiania rozgrzanego silnika i podczas pracy, należy ustawić dźwignię ssania przepustnicy w położeniu „”. (Rys. 27)
3. Stojąc za urządzeniem, należy przytrzymać uchwyt sterowania hamulcem, opierając go o górną część uchwytu, jak pokazano na Rys. 28.
4. Chwycić uchwyt rozrusznika, jak pokazano na Rys. 28 i szybko pociągnąć w górę. Po uruchomieniu silnika powoli cofnąć uchwyt rozrusznika do śruby prowadzącej linki.

Zwolnić uchwyt sterowania hamulca, aby zatrzymać silnik i nóż.



Silnik należy uruchamiać zgodnie z instrukcją, stojąc z dala od noża.



Nie wolno przechylać kosiarki do trawy podczas uruchamiania silnika. Uruchamiać kosiarkę na równym podłożu, pozbawionym wysokiej trawy lub przeszkód.



Nie zbliżać rąk i stóp do obracających się części. Nie uruchamiać silnika, stojąc przed otworem wyrzutnika.

7-3 PROCEDURY OBSŁUGOWE

Podczas pracy należy mocno trzymać uchwyt hamulca obiema rękami.

Uwaga: Gdy podczas pracy uchwyt hamulca zostanie zwolniony, silnik zatrzyma się, co spowoduje wyłączenie kosiarki do trawy.

7-4 ABY ZATRZYMAĆ SILNIK



UWAGA: Nóż obraca się przez kilka sekund po wyłączeniu silnika.

1. Zwolnić uchwyt sterowania hamulca, aby zatrzymać silnik i nóż. (Rys. 29)
2. Należy odłączyć i uziemić przewód świecy zapłonowej, jak to opisano w oddzielnej instrukcji obsługi silnika, aby zapobiec przypadkowemu rozruchowi, gdy urządzenie jest pozostawione bez nadzoru.

7-5 ZŁĄCZE NAPĘDU

W przypadku modelu PLM4631

Chwycić uchwyt wyłącznika napędu – kosiarka do trawy automatycznie ruszy do przodu z prędkością około 3,6 km/h (Rys. 30). Zwolnić uchwyt wyłącznika napędu – kosiarka do trawy zatrzyma się.

W przypadku modelu PLM4632, PLM5130

Kosiarka jest wyposażona w układ regulacji prędkości, który umożliwi 3-stopniową regulację prędkości w zakresie od 3,0 km/h do 4,5 km/h. Pozycja „☺”: najwolniejsza; pozycja „☹”: najszybsza. (Rys. 31)

Procedura zmiany prędkości kosiarki:

1. Zwolnić uchwyt wyłącznika napędu, aby zatrzymać kosiarkę do trawy.
2. Ustawić żądaną prędkość. (Rys. 31)
3. Chwycić uchwyt wyłącznika napędu, aby kontynuować koszenie. (Rys. 30)



UWAGA: Kosiarka jest przeznaczona do koszenia zwykłej trawy ogrodowej o maksymalnej wysokości 250 mm.

Nie należy używać jej do koszenia bardzo wysokiej, suchej lub mokrej trawy (np. pastwiska) bądź stert suchych liści. Resztki mogą gromadzić się na korpusie kosiarki lub dotknąć wydechu silnika, stwarzając potencjalne zagrożenie pożarowe.

7-6 WSKAZÓWKI DOTYCZĄCE EFEKTYWNEGO KOSZENIA

Usunąć wszelkie odpadki z trawnika. Sprawdzić, czy na trawniku nie ma kamieni, gałęzi, drutów lub innych przedmiotów, które mogłyby zostać wyrzucone przez kosiarkę w dowolną stronę i spowodować poważne obrażenia u użytkownika lub innych osób, jak również straty materialne i zniszczenia w otoczeniu. Nie kosić wilgotnej trawy. Aby koszenie było skuteczne, nie można kosić wilgotnej trawy, gdyż przywiłwa ona do spodniej części korpusu kosiarki, co uniemożliwia prawidłowe rozdrabnianie. Nie ścinać więcej niż 1/3 długości źdźbła. W przypadku koszenia, zaleca się cięcie 1/3 długości źdźbła trawy. Należy kontrolować prędkość jazdy kosiarki, aby rozdrobniona trawa była równomiernie rozrzucona na trawniku. W przypadku cięcia wyjątkowo gęstej trawy może być konieczne utrzymywanie najniższej prędkości, aby uzyskać prawidłowe cięcie i koszenie. Przy koszeniu wysokiej trawy może być konieczne dwukrotne koszenie trawnika; przy drugim koszeniu należy zmniejszyć wysokość cięcia o kolejną 1/3 długości źdźbła i ewentualnie zmienić trasę koszenia. Zachodzenie na poprzedni pas przy każdym przejściu pozwala usunąć źdźbła pozostałe po poprzednim przejściu. Podczas koszenia należy całkowicie otworzyć przepustnicę kosiarki, aby uzyskać najlepsze cięcie i aby koszenie było jak najbardziej efektywne. Oczyścić spód korpusu kosiarki. Należy pamiętać, aby czyścić spodnią część korpusu kosiarki po każdym użyciu, aby zapobiec gromadzeniu się trawy, co uniemożliwia prawidłowe rozdrabnianie. Koszenie liści. Pozytywny wpływ na trawnik może mieć również koszenie liści. Przy koszeniu liści należy sprawdzić, czy są one suche i czy nie zalegają zbyt grubą warstwą na trawniku. Nie należy czekać, aż wszystkie liście spadną z drzew, aby je skosić.



OSTRZEŻENIE: W przypadku uderzenia w przeszkodę należy zatrzymać silnik. Odłączyć przewód od świecy zapłonowej, dokładnie sprawdzić, czy kosiarka nie jest uszkodzona i naprawić uszkodzenia przed ponownym uruchomieniem i użytkowaniem kosiarki. Nadmierne drgania kosiarki podczas pracy są objawem uszkodzenia. Urządzenie należy natychmiast sprawdzić i naprawić.

7-7 KOSZ NA TRAWĘ

Na górze kosza na trawę znajduje się wskaźnik poziomu wskazujący, czy kosz jest napełniony, czy pusty (Rys. 32, Rys. 33):

- Wskaźnik poziomu zostanie napełniony powietrzem, jeśli kosz nie jest pełny podczas koszenia. (Rys. 33)
- W przypadku całkowitego napełnienia kosza wskaźnik opadnie. W takiej sytuacji należy niezwłocznie przerwać koszenie, a następnie opróżnić kosz, upewniając się, że jest czysty oraz że jego otwory nie są pozapychane. (Rys. 32)


WAŻNE


Jeżeli miejsce otworu wskaźnika jest bardzo zabrudzone, wskaźnik nie zostanie napełniony powietrzem. W takiej sytuacji należy niezwłocznie oczyścić miejsce otworu wskaźnika.

7-8 KORPUS

Spodnia część korpusu kosiarki powinna być czyszczona po każdym użyciu, aby zapobiec gromadzeniu się ściętej trawy, liści, ziemi lub innych zabrudzeń. W przypadku nagromadzenia zanieczyszczeń zwiększa się ryzyko korozji oraz zmniejsza się efektywność rozdrabniania. Korpus można oczyścić po przechyleniu kosiarki, zeszkrobując odpowiednim narzędziem (należy sprawdzić, czy przewód świecy zapłonowej jest odłączony).

7-9 REGULACJA WYSOKOŚCI

 **UWAGA:** W żadnym razie nie wolno dokonywać regulacji kosiarki do trawy bez zatrzymania silnika i odłączenia przewodu świecy zapłonowej.

 **UWAGA:** Przed zmianą wysokości koszenia należy zatrzymać kosiarkę i odłączyć przewód świecy zapłonowej.

Kosiarka jest wyposażona w centralną dźwignię regulacji wysokości, którą można ustawić w 8 położeniach wysokości.

Wysokość (noża od podłoża) może być regulowana w zakresie od 20 mm do 75 mm (regulacja 8-stopniowa). (Rys. 34)

Ustawienie najniższe: 20 mm, (ustawienie 1); ustawienie najwyższe: 75 mm (ustawienie 8).

1. Przed zmianą wysokości koszenia kosiarki należy zatrzymać kosiarkę i odłączyć przewód świecy zapłonowej.
2. Centralna dźwignia regulacji wysokości umożliwiła ustawienie 8 różnych wysokości. (Rys. 34)


Aby zmienić wysokość cięcia, należy nacisnąć dźwignię regulacji w kierunku do koła i przesunąć ją w górę lub w dół, aby ustawić odpowiednią wysokość.

8. INSTRUKCJA KONSERWACJI

ŚWIECA ZAPŁONOWA


Należy stosować tylko oryginalne świece zapłonowe. Zaleca się wymieniać świece zapłonową co 100 godzin pracy.

9. SMAROWANIE

 **UWAGA:** ODŁĄCZYĆ ŚWIECĘ ZAPŁONOWĄ PRZED ROZPOCZĘCIEM CZYNNOŚCI KONSERWACYJNYCH.


1. KOŁA – przesmarować łożyska kulkowe w każdym kole co najmniej raz w sezonie, używając lekkiego oleju.
2. SILNIK – wskazówki dotyczące smarowania podane zostały w instrukcji silnika.

10. CZYSZCZENIE

 **UWAGA:** Nie myć silnika przy użyciu węża. Woda może uszkodzić silnik lub zanieczyścić układ paliwowy.

1. Przetrzeć korpus suchą szmatką.
2. Wymyć spodnią część korpusu, przechylając kosiarkę tak, aby świeca zapłonowa była skierowana w górę.

10-1 FILTR POWIETRZA SILNIKA


 **UWAGA:** Nie wolno dopuścić, aby zabrudzenia lub pył zapchały piankowy wkład filtra powietrza. Wkład filtra powietrza musi być konserwowany (czyszczony) po 25 godzinach normalnego koszenia. Wkład piankowy musi być regularnie konserwowany, jeśli kosiarka jest użytkowana w suchym i zapylnym otoczeniu.


ABY OCZYŚCIĆ FILTR POWIETRZA

1. Odkręcić wkręt. (Rys. 35 w przypadku modelu PLM4632 i PLM5130)
2. Zdjąć pokrętko blokujące. (Rys. 36 w przypadku modelu PLM4630 i PLM4631)
3. Zdjąć pokrywę filtra.
4. Umyć wkład filtra w wodzie z mydłem. **NIE UŻYWAĆ BENZYN!**
5. Osuszyć wkład filtra powietrzem.
6. Umieścić kilka kropel oleju SAE30 na wkładzie piankowym filtra i mocno ścisnąć, aby usunąć nadmiar oleju.
7. Ponownie zamontować filtr.

UWAGA: Wymień filtr, jeśli jest on rozdarty, poszarpany, uszkodzony lub jeśli nie da się go wyczyścić.

10-2 NÓŻ TNĄCY

 **UWAGA:** Należy pamiętać, aby odłączyć i uziemić przewód świecy zapłonowej przed rozpoczęciem konserwacji noża tnącego, co pozwoli zapobiec przypadkowemu uruchomieniu silnika. Należy chronić dłoń, używając wytrzymałych rękawic lub szmatki do przytrzymania noży tnących. Przechylić kosiarkę, jak to opisano w oddzielnej instrukcji silnika. Odkręcić śrubę z łbem sześciokątnym oraz podkładkę, która mocuje nóż, oraz uchwyt noża na wale korbowym silnika. Zdemontować nóż oraz uchwyt z wału korbowego.

 **OSTRZEŻENIE:** Okresowo sprawdzać, czy na uchwycie noża nie widać pęknięć, zwłaszcza po napotkaniu przeszkody. Wymienić w razie potrzeby. Aby koszenie było efektywne, nóż musi być ostry. Nóż można ponownie naostrzyć, demontując go i szlifując lub uzupełniając ubytki, starając się zachować kształt oryginalnego noża. Bardzo ważna kwestia to równomierne szlifowanie każdej krawędzi tnącej, dzięki czemu nóż jest dobrze wyważony. Brak wyważenia może spowodować nadmierne drgania, co z kolei powoduje uszkodzenie silnika i kosiarki. Należy pamiętać, aby starannie wyważyć nóż po ostrzeniu. Wyważenie noża można sprawdzić, kładąc go na wkrętaku o zaokrąglonym pręcie. Należy szlifować cięższy koniec noża, aż do uzyskania zadowalającego wyważenia. (Rys. 37) Przed ponownym zamocowaniem noża i uchwytu noża należy przesmarować lekkim olejem wał korbowy i wewnętrzną powierzchnię uchwytu noża. Zamontować uchwyt noża na wale korbowym. Patrz Rys. 37. Umieścić

nóż tak, aby numer części był skierowany w stronę przeciwną do uchwytu. Wyosiować podkładkę na nożu i wkręcić śrubę z łbem sześciokątnym. Dokręcić śrubę z łbem sześciokątnym momentem dokręcenia podanym poniżej.

10-3 MOMENT DOKRĘCENIA NOŻA

Śrubę środkową należy dokręcić momentem o wartości 40 Nm - 50 Nm w celu zapewnienia bezpiecznej pracy urządzenia. Wszystkie śruby i nakrętki należy okresowo sprawdzać pod kątem prawidłowego dokręcenia. Po długiej eksploatacji, zwłaszcza w otoczeniu o dużym zapyleniu, nóż będzie się częściej zużywał i utraci oryginalny kształt. Spowoduje to pogorszenie funkcji koszenia. Nóż należy wymieniać. Nóż należy wymieniać wyłącznie na oryginalny nóż. Za ewentualne straty spowodowane złym wyważeniem noża producent nie odpowiada.

Przy wymianie noża należy stosować części zgodnie z oznaczeniami na poprzednim nożu (MAKITA 263001451 w przypadku modelu PLM4630/PLM4631/PLM4632, MAKITA 263002552 w przypadku modelu PLM5130) (aby zamówić nóż, należy skontaktować się z lokalnym przedstawicielem lub zadzwonić do naszej firmy – patrz okładka).

10-4 SILNIK

Konserwacja silnika opisana jest w oddzielnej instrukcji obsługi silnika.

Wymiana oleju silnikowego jest opisana w oddzielnej instrukcji obsługi silnika dołączonej do urządzenia. Należy uważnie przeczytać i stosować wszystkie instrukcje. Konserwacja filtra powietrza została opisana w oddzielnej instrukcji obsługi silnika.

W przypadku bardzo dużego zapylenia należy czyścić urządzenie co kilka godzin. Słaba moc silnika oraz zalewanie to objawy wskazujące na konieczność konserwacji filtra powietrza.

Konserwacja filtra powietrza jest opisana w oddzielnej instrukcji obsługi silnika dołączonej do urządzenia. Należy raz w sezonie oczyścić świecę zapłonową i ustawić wielkość szczeliny. Zaleca się wymianę świecy zapłonowej na początku każdego sezonu koszenia. Należy sprawdzić w instrukcji obsługi silnika, jaki jest właściwy typ świecy oraz wielkość szczeliny. Należy regularnie czyścić silnik przy użyciu szmatki lub szczotki. Należy utrzymywać układ chłodzenia (obszar obudowy dmuchawy) w czystości, aby zapewnić właściwy obieg powietrza, który jest niezbędny do prawidłowego działania silnika oraz zachowania jego żywotności. Należy sprawdzić, czy trawa, ziemia i łatwopalne zanieczyszczenia zostały usunięte z obszaru wokół tłumika.

11. PRZECHOWYWANIE (POZA SEZONEM)

Aby przygotować kosiarkę do trawy do przechowywania, należy wykonać następujące czynności:

1. Po ostatnim koszeniu w sezonie należy opróżnić zbiornik paliwa.
 - a) Można to zrobić za pomocą pompy ssącej.



UWAGA: Nie spuszczać paliwa w zamkniętych pomieszczeniach, w pobliżu otwartego ognia itp. Zabrania się palenia papierosów! Opary paliwa mogą spowodować wybuch lub pożar.

- b) Uruchościć silnik i zaczekać, aż zużyje całe pozostałe paliwo i zgaśnie.
 - c) Wyjąć świecę zapłonową. Używając smarowniczkę, wlać około 20 ml oleju do komory spalania. Pociągnąć za linkę rozrusznika, aby równomiernie rozprowadzić olej w komorze spalania. Włożyć świecę zapłonową.
2. Dokładnie wyczyścić i nasmarować kosiarkę do trawy zgodnie z opisem w punkcie „SMAROWANIE”.
 3. Lekko nasmarować nóż, aby zapobiec korozji.
 4. Przechowywać kosiarkę do trawy w suchym i czystym pomieszczeniu zabezpieczonym przed mrozem, poza zasięgiem osób nieupoważnionych.



UWAGA: Przed odstawieniem kosiarki do trawy w celu jej przechowania należy odczekać, aż silnik całkowicie ostygnie.



UWAGA:

- W przypadku przechowywania urządzeń w pomieszczeniu bez wentylacji lub w pomieszczeniu gospodarczym:
- Należy podjąć kroki, aby zapobiec korozji urządzeń. Należy pokryć części urządzeń, zwłaszcza przewody i wszystkie części ruchome, warstwą lekkiego oleju lub silikonu.
- Nie wolno zaginać lub załamywać przewodów.
- Jeśli linka rozrusznika odłączy się od prowadnicy linki na uchwycie, należy odłączyć i uziemić przewód świecy zapłonowej, nacisnąć uchwyt ustawienia noża i powoli wyciągnąć linkę rozrusznika z silnika. Przełożyć linkę rozrusznika przez śrubę prowadzącą linki na uchwycie.

Transport

Wyłączyć silnik. Zachować ostrożność, aby nie zgąć ani nie uszkodzić noża, przejeżdżając kosiarką do trawy nad przeszkodami.

12. ROZWIĄZYWANIE PROBLEMÓW

PROBLEM	PRAWDOPODOBNA PRZYCZYNA	ROZWIĄZANIE
Silnik nie uruchamia się.	Dźwignia ssania przepustnicy w położeniu niewłaściwym dla danych warunków.	Przesunąć dźwignię ssania przepustnicy we właściwe położenie.
	Zbiornik paliwa jest pusty.	Napełnić zbiornik paliwem, patrz INSTRUKCJA OBSŁUGI SILNIKA.
	Wkład filtra powietrza jest zabrudzony.	Oczyścić wkład filtra powietrza, patrz INSTRUKCJA OBSŁUGI SILNIKA.
	Poluzowana świeca zapłonowa.	Dokręcić świecę zapłonową momentem o wartości 25-30 Nm.
	Przewód świecy zapłonowej poluzowany lub odłączony od świecy zapłonowej.	Założyć przewód świecy zapłonowej na świecę zapłonową.
	Szczelina świecy zapłonowej jest nieprawidłowa.	Ustawić szczelinę pomiędzy elektrodami na 0,7 do 0,8 mm.
	Świeca zapłonowa jest uszkodzona.	Zamontować nową świecę zapłonową z prawidłową szczeliną, patrz INSTRUKCJA OBSŁUGI SILNIKA.
	Gaźnik jest zalany paliwem.	Wyjąć wkład filtra powietrza i równomiernym ruchem pociągnąć linkę rozrusznika, aż gaźnik się oczyści, a następnie zamontować wkład filtra powietrza.
	Wadliwy moduł zapłonu.	Skontaktować się z serwisem.
Trudności z uruchomieniem silnika lub spadki mocy.	Zabrudzenia, woda lub zawiesina w zbiorniku paliwa.	Spuścić paliwo i wyczyścić zbiornik. Napełnić zbiornik czystym, świeżym paliwem.
	Otwór napowietrzający w korku wlewu paliwa jest zablokowany.	Oczyścić lub wymienić korek wlewu paliwa.
	Wkład filtra powietrza jest zabrudzony.	Oczyścić wkład filtra powietrza.
Silnik pracuje nierówno.	Świeca zapłonowa jest uszkodzona.	Zamontować nową świecę zapłonową z prawidłową szczeliną, patrz INSTRUKCJA OBSŁUGI SILNIKA.
	Szczelina świecy zapłonowej jest nieprawidłowa.	Ustawić szczelinę pomiędzy elektrodami na 0,7 do 0,8 mm.
	Wkład filtra powietrza jest zabrudzony.	Oczyścić wkład filtra powietrza, patrz INSTRUKCJA OBSŁUGI SILNIKA.
Nieprawidłowe obroty jałowe silnika.	Wkład filtra powietrza jest zabrudzony.	Oczyścić wkład filtra powietrza, patrz INSTRUKCJA OBSŁUGI SILNIKA.
	Szczeliny w krycie silnika są zapchane.	Usunąć zabrudzenia ze szczelin.
	Żeberka i szczeliny pod obudową dmuchawy silnika są zablokowane.	Usunąć zabrudzenia z żeberek i szczelin.
Silnik dławi się na wysokich obrotach.	Szczelina pomiędzy elektrodami świecy zapłonowej jest zbyt mała.	Ustawić szczelinę pomiędzy elektrodami na 0,7 do 0,8 mm.
Silnik przegrzewa się.	Ograniczony przepływ powietrza.	Usunąć zanieczyszczenia ze szczelin, obudowy dmuchawy i otworów.
	Nieprawidłowa świeca zapłonowa.	W przypadku modeli PLM4630/PLM4631: Zamontować świecę zapłonową RJ19LMC i żeberka chłodzące na silniku. W przypadku modeli PLM4632/PLM5130: Zamontować świecę zapłonową QC12YC i żeberka chłodzące na silniku.
Kosiarka drga w nieprawidłowy sposób.	Poluzowany zespół tnący.	Dokręcić nóż.
	Zespół tnący jest nieprawidłowo wyważony.	Wyważyć nóż.

13. OCHRONA ŚRODOWISKA

Jeśli urządzenie wymaga wymiany po długim okresie użytkowania, nie wolno wyrzucać go wraz z odpadami komunalnymi, ale trzeba je zutylizować w sposób przyjazny dla środowiska.

Dotyczy tylko krajów europejskich

Deklaracja zgodności WE

Firma Makita Corporation, jako odpowiedzialny producent, niniejszym oświadcza, że poniższe urządzenie(a) marki Makita:

Oznaczenie maszyny: Spalinowa kosiarka do trawy
Model/typ: PLM4630, PLM4631, PLM4632, PLM5130
Dane techniczne: Patrz „4. DANE TECHNICZNE” są produkowane seryjnie oraz

spełniają wymagania następujących dyrektyw Unii Europejskiej:

2004/108/WE, 2006/42/WE,
2000/14/WE oraz 2005/88/WE

i są produkowane zgodnie z następującymi normami lub dokumentami normalizacyjnymi:

EN 836, EN ISO 14982

Dokumentacja techniczna przechowywana jest przez:

Makita International Europe Ltd.,
Technical Department,
Michigan Drive, Tongwell,
Milton Keynes, Bucks MK15 8JD, Wielka Brytania

Procedura oceny zgodności wymagana przez Dyrektywę 2000/14/WE została przeprowadzona zgodnie z Załącznikiem VI.

Jednostka notyfikowana:

TÜV SÜD Industrie Service GmbH
Westendstraße 199, D-80686 München
Numer identyfikacyjny: 0036

Model: PLM4630, PLM4631

Zmierzony poziom mocy akustycznej: 94,2 dB (A)
Gwarantowany poziom mocy akustycznej: 96 dB (A)

Model: PLM4632

Zmierzony poziom mocy akustycznej: 94,3 dB (A)
Gwarantowany poziom mocy akustycznej: 96 dB (A)

Model: PLM5130

Zmierzony poziom mocy akustycznej: 95,9 dB (A)
Gwarantowany poziom mocy akustycznej: 98 dB (A)

30. 11. 2012



Tomoyasu Kato
Dyrektor

Makita Corporation
3-11-8, Sumiyoshi-cho,
Anjo, Aichi, 446-8502, JAPAN

Az általános nézeti rajz magyarázata

- | | | |
|-----------------------------|--------------------------|---|
| 1. Fékkar | 12. Oldalsó billenőfű | 23. Alátét |
| 2. Felső tolókar | 13. Géptest | 24. Rögzítő gomb |
| 3. Kerékajtás kapcsolókarja | 14. Gyújtógyertya | 25. Rögzítőanya |
| 4. Szivatókar | 15. Olajbetöltő sapka | 26. A fogantyú dőlésszögének beállítására szolgáló fogazott tárcsák |
| 5. Indítófogantyú | 16. Tanksapka | 27. Gomb |
| 6. Kötélvezető | 17. Kábelrögzítő bilincs | 28. Olajbetöltő sapka/nívópálca |
| 7. Reteszelőkar | 18. Kábelrögzítő gyűrű | 29. Max.: felső határ |
| 8. Alsó tolókar | 19. Sebességbeállító kar | 30. Min.: alsó határ |
| 9. Fűgyűjtő | 20. Mulcsozó betét | 31. Csavar |
| 10. Magasságbeállító kar | 21. Szintjelző | |
| 11. Oldalsó üritőcsatorna | 22. Csavar | |



FIGYELEM:

Saját biztonsága érdekében az új gép használatának megkezdése előtt olvassa el a kezelési utasítást. Ennek elmulasztása súlyos személyi sérülésekhez vezethet. Minden használat előtt szánjon néhány percet a fűnyíróval való ismerkedésre.



Javításkor a gyújtógyertyát a kezelési utasításban ismertetett módon szerelje ki, javítást csak ezután végezzen.



Vigyázat: A motor felforrósodhat.

1. A TERMÉKEN TALÁLHATÓ JELZÉSEK



Olvassa el a használati utasítást.



A gép használatakor ne engedjen senkit annak közelébe.



Különösen ügyeljen a kezelő kéz- és lábsérülésének elkerülésére.



Az üzemanyag gyúlékony, ne használjon a közelében nyílt lángot. Járó motorú gépbe ne töltsön üzemanyagot.



A kipufogógáz mérgező; ne működtesse a gépet zárt térben.



Fűnyírás közben viseljen védőszemüveget és füldugót egészsége védelmében.

2. ÁLTALÁNOS BIZTONSÁGI RENDSZABÁLYOK



FIGYELEM: Benzinnel működő berendezések használata esetén az esetleges személyi sérülés és anyagi kár elkerülése érdekében mindig tartsa be az alapvető biztonsági rendszabályokat az alábbiakkal együtt. A gép használatának megkezdése előtt olvassa el az összes rá vonatkozó utasítást, és tartsa meg a dokumentációt későbbi használatra.



FIGYELEM: A gép elektromágneses mezőt kelt működés közben. Ez az elektromágneses mező bizonyos körülmények között zavarhatja az emberi szervezetbe beültetett aktív vagy passzív implantátumokat. Az esetleges súlyos vagy halálos következmény elkerülése érdekében javasoljuk, hogy a beültetett implantátummal élő személy a gép használata előtt konzultáljon orvosával és az implantátum gyártójával.

Oktatás

- Az utasításokat figyelmesen olvassa el. Sajátítsa el a gép helyes használatát és kezelőszervek működtetését.
- Soha ne engedje, hogy gyermekek vagy ezen utasításokat nem ismerő személyek használják a fűnyírót. Előfordulhat, hogy a helyi törvények rendelkeznek a kezelő életkorát illetően.
- Ne végezzen fűnyírást, ha emberek – különösen gyermekek – vagy háziállatok tartózkodnak a közelben.

- Ne feledje, hogy a kezelő, illetve felhasználó felelős a balesetekért, vagy a más személyekkel vagy tulajdonnal szembeni veszélyhelyzetekért.

Előkészületek

- Fűnyírás közben mindig megfelelő lábbelit és hosszú nadrágot viseljen. Ne működtesse a gépet mezítláb vagy nyitott szandálban.
- Áloposan vizsgálja meg azt a területet, ahol a fűnyírót használni szeretné, és távolítson el minden olyan tárgyat, melyet a gép felkaphat és kidobhat.
- FIGYELEM – A benzin rendkívül gyúlékony.
 - benzint kizárólag erre a célra készített edényben tároljon;
 - tankolást ne végezzen zárt helyen, és tankolás közben ne dohányozzon;
 - még a motor beindítása előtt tankoljon. Soha ne vegye le a tanksapkát, és ne tankoljon járó motor mellett, vagy amíg a motor le nem hűlt;
 - ha mellément a benzin, ne indítsa be a gépet a tankolás helyén, hanem tolja arrébb, és kerülje a nyílt lángot és egyéb gyújtó jellegű tevékenységet a környéken, amíg a benzin el nem párolog;
 - zárja vissza biztonságosan a tanksapkát és a benzinkanna fedelét.
- A hibás hangtompítót cserélje le.
- Használat előtt mindig ellenőrizze szemrevételezéssel, hogy a pengék, a kés csavarjai és a vágóegység nem kopott vagy sérült-e. A kopott vagy sérült pengéket és csavarokat a kiegyensúlyozottság megtartása érdekében egyszerre, készletben cserélje.

Használat

- Ne működtesse a gépet zárt térben, ahol mérgező szénmonoxid gyűlhet fel.
- Fűnyírást csak nappali fényben, vagy kellő mesterséges megvilágítás mellett végezzen.
- Kerülje a gép nedves fűben való használatát, amennyiben ez lehetséges.
- Lejtőn mindig bizonyosodjon meg lába kellő megtámasztásáról.
- Sétálva haladjon, soha ne fusson.
- A kerékkel ellátott, forgó mozgást végző gépeknél a lejtőn keresztbe haladjon, ne a lejtés irányában.
- Különösen óvatosan járjon el a lejtőn való irányváltáskor.
- Ne végezzen fűnyírást túl meredek lejtőkön.
- Különösen óvatosan járjon el hátramenetben, illetve amikor a fűnyírót maga felé húzza.
- Ha a fűnyírót egy nem füves területen való áthaladás érdekében meg kell dönteni, illetve amikor a fűnyírót a levágandó területhez/területről szállítja, várja meg, amíg a pengék megállnak.
- Ne használja a fűnyírót hibás védőelemekkel, illetve biztonsági eszközök nélkül, például nem felszerelt terelőelemekkel és/vagy fűgyűjtővel.
- Ne módosítsa a motor alapbeállításait, és ne pörgesse túl a gépet.
- A motor beindítása előtt oldja ki a pengemeghajtás és menetmeghajtás tengelykapcsolóját.
- Ügyelve lábai épségére indítsa be óvatosan a motort az utasítás szerint.
- A motor indítása közben ne billentse meg a fűnyírót.
- Ne indítsa el a motort, amikor a kidobónyílás előtt áll.

- Ne közelítse kezét és lábát forgó alkatrészekhez. A kidobónyílást mindig tartsa szabadon.
- Járó motorú fűnyírót soha ne emeljen fel, és ne szállítsa.
- Állítsa le a motort, és kösse le a gyertyakábel, majd győződjön meg arról, hogy az összes mozgó alkatrész teljesen leállt. Ha a gép kulccsal indítható, vegye ki a kulcsot:
 - mielőtt eltömődést szüntet meg vagy megtisztítja a kidobónyílást;
 - ellenőrzés, tisztítás vagy a fűnyírón való munkavégzés előtt;
 - idegen tárgyba ütközés után. Vizsgálja meg, hogy a fűnyíró nem sérült-e meg, és szükség esetén végezze el a szükséges javításokat az ismételt elindítás és használat előtt;
 - ha a fűnyíró rendellenes vibrációját tapasztalja (keresse meg azonnal az okát).
- Állítsa le a motort, és kösse le a gyertyakábel, majd győződjön meg arról, hogy az összes mozgó alkatrész teljesen leállt. Ha a gép kulccsal indítható, vegye ki a kulcsot:
 - minden esetben, ha felügyelet nélkül hagyja a fűnyírót;
 - tankolás előtt.
- A motor leállítása előtt vegye vissza a gázt. Ha a motoron van zárócsap, a fűnyírás befejeztével zárja el.

Karbantartás és tárolás

- A gép biztonságos műszaki állapotának biztosítása érdekében az anyacsavarok és csavarok mindig legyenek meghúzva.
- Ne tárolja a gépet feltöltött benzintartállyal olyan épületen belül, ahol a benzingőzök nyílt lánggal vagy szikrával találkozhatnak.
- Hagyja lehűlni a motort, mielőtt zárt helyen letárolja a gépet.
- A tűzveszély csökkentése érdekében tisztítsa meg a motort, hangtompítót, akkumulátorrekeszt és a benzintartályt minden rárakódott fűtől, levéltől és felesleges zsírtól.
- Rendszeresen ellenőrizze a fűgyűjtőt, hogy nem kopott vagy sérült-e.
- A biztonság érdekében cserélje ki a kopott vagy sérült alkatrészeket.
- Az üzemanagytartályt csak nyílt térben ürítse le.



FIGYELEM: Ne érjen a forgó pengéhez.



FIGYELEM: A tankolást jól szellőző helyen, leállított motornál végezze.

3. ALKATRÉSZEK LEÍRÁSA (1. ábra, 2. ábra, 3. ábra, 4. ábra)

Felsorolás:

A: Gyertyakulcs

4. MŰSZAKI ADATOK

Típus	PLM4630	PLM4631	PLM4632	PLM5130
Motor típusa	B&S 675EX sorozat, ReadyStart	B&S 675EX sorozat, ReadyStart	B&S 750EX sorozat, ReadyStart	B&S 750EX sorozat, ReadyStart
Önjáró	Nem	Igen	Igen	Igen
Motor lökettérfogata	190 cm ³	190 cm ³	161 cm ³	161 cm ³
Kés szélessége	460 mm	460 mm	460 mm	510 mm
Névleges fordulatszám	2800/perc	2800/perc	2800/perc	2800/perc
Üzemanyagtartály kapacitása	1,0 l	1,0 l	1,0 l	1,0 l
Olajtartály ürtartalma	0,6 l	0,6 l	0,6 l	0,6 l
Fűgűjtő kapacitása	60 l	60 l	60 l	65 l
Nettó tömeg	31,5 kg	34 kg	35 kg	38 kg
Magasságállítás	20–75 mm, 8 beállítási lehetőség	20–75 mm, 8 beállítási lehetőség	20–75 mm, 8 beállítási lehetőség	20–75 mm, 8 beállítási lehetőség

	PLM4630	PLM4631	PLM4632	PLM5130
Garantált hangnyomásszint a kezelő helyzetében (Az EN ISO 3744 és EN ISO 4871 szabványok szerint)	83,5 dB (A) (K=3 dB (A))	83,5 dB (A) (K=3 dB (A))	83,9 dB (A) (K=3 dB (A))	85,7 dB (A) (K=3 dB (A))
Mért hangteljesítményszint	94,2 dB (A) K=1,95 dB (A)	94,2 dB (A) K=1,95 dB (A)	94,3 dB (A) K=1,80 dB (A)	95,9 dB (A) K=2,16 dB (A)
Garantált hangteljesítményszint (A 2000/14/EK irányelv szerint)	96 dB (A)	96 dB (A)	96 dB (A)	98 dB (A)
Vibráció (Az EN ISO 20643 szabvány szerint)	6,58 m/s ² K=1,5 m/s ²	6,58 m/s ² K=1,5 m/s ²	7,12 m/s ² K=1,5 m/s ²	6,53 m/s ² K=1,5 m/s ²

5. ÖSSZESZERELÉS

5-1 AZ ÖSSZEHAJTHATÓ TOLÓKAR ÖSSZESZERELÉSE

1. Csavar, alátét és rögzítógomb segítségével rögzítse a tolókar alsó részzeit a tolókarvázhoz. **(5. ábra)**
2. Hajtsa ki a két reteszelőkart a felső és az alsó tolókar összekapcsolásához. **(6. ábra)**
3. Hajtsa vissza a reteszelőkart a tolókarok üzemi helyzetben történő rögzítéséhez. **(7. ábra)**
4. Állítsa be a feszességet a rögzítőanya megfelelő szerszámmal történő elforgatásával. **(8. ábra)**
5. Helyezze a gázbovondat a tolókarra. Rögzítse az alsó tolókarra a kábelrögzítő bilinccsel, ügyelve arra, hogy a gázbovondat a tolókar külseje felé nézzen. **(9. ábra, 10. ábra)** Máshogy elhelyezve a gázbovondat a hátsó fedél nyitása és csukása, vagy a felső fogantyú behajtása esetén becsípdőhet.

5-2 A MEGFELELŐ DŐLÉSSZÖG BEÁLLÍTÁSA

- 1) Hajtsa ki a reteszelőkart.
- 2) A fogantyú dőlésszögének beállítására szolgáló fogazott tárcsák tengelye körül elforgatva állítsa be a felső tolókar kívánt helyzetét -15° és 15° között (3 fokozatban: -15°/0°/15°) ahogy a **11. ábrán** látható.
- 3) Hajtsa vissza a reteszelőkart az alsó és a felső tolókar összekapcsolásához.

5-3 A FÜGŰJTŐ FEL- ÉS LESZERELÉSE

1. Felhelyezés: Emelje fel a hátsó fedelet, majd akassza a fűgűjtőt a fűnyíró hátuljára. **(12. ábra, 13. ábra, 14. ábra)**
2. Eltávolítás: Fogja meg és emelje fel a hátsó fedelet, majd vegye le a fűgűjtőt.

5-4 INDÍTÓFOGANTYÚ

A motorról helyezze át az indítófogantyút a kötéltelvezetőhöz. **(15. ábra)**

5-5 A VÁGÁS MAGASSÁGA

Nyomja meg kifelé a kart a kerettől való elemeléshez. A magasság beállításához hajtsa előre vagy hátra a kart. **(16. ábra, és lásd a 7-9. pontot)**

6. FUNKCIÓ

Ezek a fűnyírók normál funkcióikról az alábbi alkalmazásokra alakíthatók át:

Hátsó gyűjtésű fűnyíróból:

1. mulcsozó fűnyíróvá vagy
2. oldalsó kidobású fűnyíróvá.

Mi a mulcsozás?

Mulcsozásokor a gép első lépésben levágja a fűvet, ami finomra aprítva ezután visszakerül a gyepre, mint természetes trágya.

Tippek a mulcsozó fűnyíróhoz:

- Rendszeres max. 2 cm-es nyírással alakítson ki 6 cm – 4 cm fűmagasságot.
- Használjon éles vágókést.

- Ne nyírjon nedves fűvet.
- Állítsa a motort maximális fordulatszámra.
- Csak munkasebességgel haladjon.
- Rendszeresen tisztítsa a mulcsozó betétet, a ház belső felét és a nyírópengét.

Kezdeti műveletek

6-1 Átszerelés mulcsozó fűnyíróvá



FIGYELEM: Kizárólag leállított motor és álló vágószerkezet esetén végezze az alábbiakat.

1. Emelje fel a hátsó fedelet, és távolítsa el a fűgyűjtőt.
2. Nyomja be a mulcsozó betétet a géptestbe. Rögzítse a mulcsozó betétet a gombbal a géptest nyílásában. (17. ábra, 18. ábra)
3. Engedje le a hátsó fedelet. (19. ábra)
4. Emelje fel az oldalsó billenőfület, és távolítsa el az oldalsó ürítőcsatornát.

6-2 Átszerelés oldalsó kidobású fűnyíróvá



Kizárólag akkor végezze el az alábbi műveleteket, ha a motor és a vágószerkezet áll!

1. Emelje fel a hátsó fedelet, és távolítsa el a fűgyűjtőt.
2. Szerelje be a mulcsozó betétet.
3. Emelje fel az oldalsó billenőfület az oldalsó ürítésért. (20. ábra)
4. Szerelje fel az oldalsó ürítőcsatornát az oldalsó billenőfül tartócsapjára. (21. ábra)
5. Engedje le az oldalsó billenőfület – a billenőfül ráfekszik az oldalsó ürítőcsatornára. (22. ábra)

6-3 Fűnyírás felszerelt fűgyűjtővel



Kizárólag leállított motor és álló vágószerkezet esetén végezze az alábbiakat.

Felszerelt fűgyűjtővel végzett fűnyíráshoz távolítsa el a mulcsozó betétet és az oldalsó fűkidobás kidobócsatornáját, majd helyezze fel a fűgyűjtőt.

1. Mulcsozó betét eltávolítása:
 - Emelje fel a hátsó fedelet, és vegye ki a mulcsozó betétet.
2. Oldalsó fűkidobás oldalsó ürítőcsatornájának eltávolítása.
 - Emelje fel az oldalsó billenőfület, és távolítsa el az oldalsó ürítőcsatornát.
 - Az oldalsó billenőfül a rugóerő hatására automatikusan lezárja a gép házában található oldalsó kidobónyílást.
 - Rendszeresen tisztítsa meg az oldalsó billenőfület és a kidobónyílást a fűmaradékoktól és a rátapadt szennyeződésektől.
3. A fűgyűjtő felszerelése.
 - Felhelyezés: Emelje fel a hátsó fedelet, majd akassza a fűgyűjtőt a fűnyíró hátuljára.
 - Eltávolítás: Emelje fel a hátsó fedelet, majd vegye le a fűgyűjtőt.

7. KEZELÉSI UTASÍTÁSOK

7-1 INDÍTÁS ELŐTT

Ellenőrizze a benzint és olajat, szükség esetén töltsse fel a motor fűnyíróhoz mellékelt különálló kezelési utasítása alapján. Figyelmesen olvassa el az utasításokat.

(23. ábra, 24. ábra, 25. ábra, 26. ábra)



FIGYELEM: A benzin rendkívül gyúlékony.

Benzint kizárólag erre a célra készített edényben tároljon. A tankolást szabad téren végezze, még a motor beindítása előtt. Ne dohányozzon, amíg üzemanyaggal foglalkozik.

Ne vegye le a tanksapkát, és ne tankoljon járó motor mellett, és amíg a motor le nem hűlt.

Ha kifolyt a benzin, ne indítsa be a gépet, hanem tolja arrébb a kiömlés helyéről, és kerülje bármely tűzforrás kialakulását, amíg a benzingőzök eloszanak.



Zárjon vissza biztonságosan minden üzemanyagtartályt és benzinkannafedelet.

Mielőtt a kés karbantartására vagy olajcsere miatt felbillentené a fűnyírót, ürítse le a benzint a tartályból.



FIGYELEM: Ne tankoljon zárt térben, járó motor mellett vagy amíg a motor forró. Használat után hagyja a motort legalább 15 percig hűlni.

7-2 A MOTOR BEINDÍTÁSA ÉS A PENGE ELINDÍTÁSA

1. A fűnyíró gyújtógyertyáján gumisapka található. Ellenőrizze, hogy a gyertyakábel végén (a gumisapka belől) található fémhurok biztonságosan rögzül a gyújtógyertya fémhegyén.
 2. Hideg motor indításakor állítsa a szivatókart „” pozícióba. A meleg motor beindításához és a fűnyíráshoz állítsa a gázkart „” pozícióba. (27. ábra)
 3. A gép mögött állva húzza meg a fékkart, és tartsa a felső tolékhoz húzva, lásd a 28. ábrát.
 4. Fogja meg az indítófogantyút a 28. ábra szerint, és húzza meg határozottan. Ha a motor beindult, lassan engedje vissza a kart a kötélvezetőhöz.
- A motor és a kés leállításához engedje el a fékkart.



Ügyelje lábai épségére, indítsa be nagy körültekintéssel a motort az utasítás szerint.



A motor indítása közben ne billentse meg a fűnyírót. A fűnyírót vízszintes talajon indítsa be, ahol nincs magas fű és egyéb akadály.



Ne közelítsen kezével és lábával a forgó részekhez. Ne indítsa el a motort, amikor a kidobónyílás előtt áll.

7-3 HASZNÁLAT

Fűnyírás közben tartsa szorosan, két kézzel a fékkart. Megjegyzés: Ha fűnyíráskor elengedi a fékkart, a motor leáll, így a fűnyíró működését is leállítja.

7-4 A MOTOR LEÁLLÍTÁSA



VIGYÁZAT: A motor leállása után a kés még pár másodpercig tovább forog.

1. A motor és a kés leállításához engedje el a fékkart. (29. ábra)
2. Kösse le, és tesztelje a gyertyakábelét a motorhoz tartozó külön utasítás szerint, hogy megelőzhető legyen a felügyelet nélküli hagyott gép véletlen beindítása.

7-5 ÖNJÁRÓ FUNKCIÓ BEKAPCSOLÁSA

PLM4631 típusnál

A kerékajtás kapcsolókarját húzza a felső fogantyúhoz, tartsa ott, és a fűnyíró automatikusan megindul előre körülbelül 3,6 km/h sebességgel (30. ábra). Amikor elengedi a kapcsolókart, a fűnyíró megáll.

PLM4632, PLM5130 típusoknál

A fűnyíró sebességbeállító rendszerrel van felszerelve, amely 3 sebességfokozatot beállítását teszi lehetővé 3,0 és 4,5 km/h sebesség között.

„☁” pozíció: a leglassabb pozíció, „☁” pozíció: a leggyorsabb pozíció. (31. ábra)

Végezze el az alábbi lépéseket:

1. Engedje el a kerékajtás kapcsolókarját, hogy a fűnyíró megálljon.
2. Állítsa be a kívánt sebességet. (31. ábra)
3. A gép elindításához húzza a kerékajtás kapcsolókarját a tolókar felső részéhez. (30. ábra)



VIGYÁZAT: A fűnyíró 250 mm-nél nem magasabb, normál állapotú fű levágására szolgál. Ne vágjon a géppel szokatlanul magas száraz vagy nedves fűvet (pl. rétet), illetve száraz levélhalmot. Növénymaradékok rakódhatnak a fűnyíróra, vagy hozzáérhetnek a gép kipufogójához, ami tűzveszélyes.

7-6 A LEGJOBB EREDMÉNY ELÉRÉSE FŰNYÍRÁSKOR

Távolítsa el a hulladékokat a gyepről. A nyírandó gyepon ne legyen kő, fadarab, huzal vagy egyéb olyan tárgy, amit a fűnyíró bármilyen irányba kidobhat, és ezzel súlyos személyi sérülést okozhat a kezelőnek és a közelben tartózkodó személyeknek, valamint amitől anyagi kár keletkezhet. Ne nyírjon nedves fűvet. A hatékony fűnyírás érdekében ne nyírjon nedves fűvet, mert az a géptest alá ragadhat, ami akadályozza a megfelelő nyírást. A fű hosszának maximum 1/3-át nyírja le. Fűnyírásakor a javasolt vágási hossz a fű hosszának 1/3-a. Válassza meg úgy a haladási sebességet, hogy az összeaprított fű egyenletesen terüljön el a gyepon. Nagyra nőtt, sűrű gyepon nyírásakor különösen fontos a lassú haladás, hogy a gépnek legyen ideje az egyenletes magasságú vágásra. Hosszúra nőtt fű nyírásakor célszerű két menetben végezni a nyírást: a második menetben nyírja le a fű újabb 1/3-át, lehetőleg az előző menethez képest más irányban. A menetekben kis mértékű átfedés szintén segít az egyenletes és tiszta vágású gyeppel kialakításában. A fűnyírót a legjobb vágási eredmény és a hatékony mulcsozás érdekében mindig teljes gázzal üzemeltesse. Tisztítsa meg a géptest alját. Minden fűnyírás után

tisztítsa meg a gép alját, mert a lerakódott fű akadályozza a megfelelő mulcsozó aprítást. Levelek vágása. A levelek mulcsozása szintén jót tesz a gyepeknek. Csak száraz, a gyepeken nem túl vastag rétegben elterülő leveleket dolgozzon fel a fűnyíróra. Ne várja meg a mulcsozással, hogy az összes levél lehulljon a fákról.



FIGYELEM: Ha idegen tárgyba ütközött, állítsa le a fűnyírót. Vegye le a gyertyakábelét, és alaposan vizsgálja át a fűnyírót, nem sérült-e meg. Az újraindítás és a munka folytatása előtt javítsa ki az esetleges sérüléseket. A működés közben tapasztalható erős rezgés károsodásra utal. A gépet ilyen esetben azonnal át kell vizsgálni, és meg kell javítani.

7-7 FŰGYŰJTŐ

A fűgyűjtő tetején egy szintjelző található, amely a fűgyűjtő tele vagy üres állapotát mutatja (32. ábra, 33. ábra):

- A szintjelző felfújódik, ha a fűgyűjtő fűnyírás közben nincs tele. (33. ábra)
- Ha a fűgyűjtő megtelt, a szintjelző lecsukódik; ilyen esetben azonnal hagyja abba a fűnyírást, majd ürítse ki a fűgyűjtőt. Győződjön meg róla, hogy a fűgyűjtő tiszta és arról, hogy a rácsok átszellőztek. (32. ábra)

FONTOS

A szintjelző nyílásának helyén lévő erős szennyezettség esetén a szintjelző nem fújódik fel – ilyen esetben azonnal tisztítsa meg a szintjelző nyílásának helyét.

7-8 GÉPTEST

Minden használat után tisztítsa le a géptest aljáról a ráakadott fűvet, leveleket, szennyeződést vagy egyéb anyagokat. A felgyűlő, nem letakarított szennyeződés korróziót okozhat, emellett a megfelelő mulcsozó aprítást is gátolja. A tisztításhoz billentse fel a fűnyírót, és kaparja le a szennyeződést egy megfelelő eszközzel (a gyertyakábelét előtte feltétlenül vegye le).

7-9 NYÍRÁSI MAGASSÁG BEÁLLÍTÁS



VIGYÁZAT: A fűnyírón bármilyen beállítást csak leállított motor és eltávolított gyertyakábel esetén végezzen.



VIGYÁZAT: A nyírási magasság beállítása előtt állítsa le a fűnyírót, és kösse le a gyertyakábelét.

A fűnyíró központi magasságbeállító karral rendelkezik, amely 8 magassági helyzet beállítását teszi lehetővé.

A magasság (a kés és a talaj között) 20 mm és 75 mm között állítható be (8 magassági helyzetbe). (34. ábra) A legalacsonyabb beállítás: 20 mm (1. helyzet), a legmagasabb beállítás: 75 mm (8. helyzet).

1. A nyírási magasság beállítása előtt állítsa le a fűnyírót, és kösse le a gyertyakábelét.
2. A központi magasságállító kar 8 különböző helyzetbe állítható be. (34. ábra)

A vágási magasság beállításához nyomja a kerék felé az állítókart, és állítsa feljebb vagy lejjebb a kívánt magasság eléréséhez.

8. KARBANTARTÁSI ÚTMUTATÓ

GYÚJTÓGYERTYA

Csak eredeti gyújtógyertyát használjon cserealkatrészként. A legjobb eredmény érdekében minden 100 óra használat után cseréljen gyújtógyertyát.

9. KENÉSI ÚTMUTATÓ



VIGYÁZAT: A KARBANTARTÁSI MUNKÁK MEGKEZDÉSE ELŐTT KÖSSÉ LE A GYÚJTÓGYERTYÁT.

1. KEREKEK—Kenje meg a kerekek golyóscsapágóját kis viszkozitású kenőolajjal szezononként legalább egyszer.
2. MOTOR—A kenési utasításokat megtalálja a motor kézikönyvében.

10. TISZTÍTÁS



VIGYÁZAT: Ne mossa a motort vízsugárral. A víz károsíthatja a motort, és szennyezheti az üzemenyagrendszert.

1. A géptestet törölje le törlőronggyal.
2. A fűnyírót felbillentve, hogy a gyújtógyertya felfele nézzen, vízsugárral lemoshatja a géptest alját.

10-1 A MOTOR LÉGSZŪRŐJE



VIGYÁZAT: Ügyeljen arra, hogy a légszűrő szivacsbetétjét ne tömítse el por és egyéb szennyeződés. A légszűrőbetétet 25 órányi normál fűnyírás után végezzen karbantartást (tisztítsa ki). Száraz, poros környezetben történő használat esetén a légszűrőbetétet tisztítsa gyakrabban.

A LÉGSZŪRŐ TISZTÍTÁSA

1. Szerelje ki a csavart. (35. ábra PLM4632 és PLM5130 típusoknál)
2. Vegye le a rögzítőgombot. (36. ábra PLM4630 és PLM4631 típusoknál)
3. Távolítsa el a szűrő fedelét.
4. Mossa ki a betétet szappanos vízben. **NE HASZNÁLJON BENZINT!**
5. Szárítsa meg a betétet.
6. Cseppentsen pár csepp SAE30 motorolajat a betétre, majd csavarja ki belőle a felesleget.
7. Szerelje vissza a szűrőbetétet.

MEGJEGYZÉS: Cserélje ki a betétet, ha foszlik, elszakadt, megsérült vagy nem lehet kitisztítani.

10-2 VÁGÓPENGE



VIGYÁZAT: A motor véletlen beindulásának elkerülése érdekében feltétlenül kösse le és testelje a gyertyakábel, mielőtt a vágókésen dolgozni kezdene.

Kezei védelmében viseljen erős védőkesztyűt, vagy fogja meg egy ronggyal a vágókést. Billentse fel a fűnyírót a motor kézikönyvében ismertetett módon. Távolítsa el a kést és a kés adapterét a főtengelyhez rögzítő hatlapfejű csavart és alátétet. Szerelje le a kést és az adaptert a főtengelyről.



FIGYELEM: Rendszeresen ellenőrizze, hogy a pengeadapteren nincsenek-e repedések, különösen, ha a penge idegen tárgynak ütközött. Szükség esetén cserélje ki.

A legjobb eredmény érdekében éles pengével dolgozzon. A pengét a megélezéshez szerelje le, majd az élet az eredeti kialakítást leginkább megközelítő módon köszörülje vagy reszelje élesre. A kiegyensúlyozatlanság elkerülése érdekében rendkívül fontos, hogy a penge minden vágóéle azonos mértékű megmunkálást kapjon. A kiegyensúlyozatlan penge túlzott vibrációt kelt, ami a motor és az egész fűnyíró idő előtti tönkremenetelét okozhatja. Élesítés után gondosan egyensúlyozza ki a pengét. A penge kiegyensúlyozottsága hengeres szárú csavarhúzóval ellenőrizhető. A nehéz oldalról köszörüljön le annyi anyagot, amivel az egyensúly helyreáll.

(37. ábra)

A penge és a pengeadapter visszaszerelése előtt kenje meg a főtengelyt és a pengeadapter belső felületét kis viszkozitású kenőolajjal. Szerelje be a pengeadaptert a főtengelyre. Lásd: 37. ábra. A pengét a cikkszámával kifelé helyezze az adapterre. Illesse az alátétet a pengére, és szerelje be a hatlapfejű csavart. Húzza meg a csavart az előírt nyomatékkal, lásd alább.

10-3 PENGE MEGHÚZÁSI NYOMATÉKA

Középső csavar 40 Nm – 50 Nm, a gép biztonságos üzeme érdekében. Rendszeresen ellenőrizze az összes anya és csavar megfelelően meghúzott állapotát. Hosszabb használat után, különösen homokos talaj esetén a penge elkophat, elvesztheti eredeti alakját. A vágás hatékonysága csökken, a pengét ki kell cserélni. A pengét csak jóváhagyott gyári pótpengére cserélje. A penge kiegyensúlyozatlanságából eredő esetleges károkért a gyártó nem vállal felelősséget.

Ha pengét kell cserélni, csak (MAKITA 263001451 a PLM4630/PLM4631/PLM4632 típusokhoz, MAKITA 263002552 a PLM5130 típushoz) jelzésekkel ellátott, eredeti pótalkatrészeket használjon (pengerendelésért forduljon a márkakereskedőhöz, vagy hívjon fel bennünket, lásd a borítót).

10-4 MOTOR

A motor karbantartási utasításait a motor különálló kézikönyvében megtalálja.

A motorolaj tekintetében járjon el a motor különálló kézikönyvében olvasható utasítások szerint. Olvassa el körültekintően, és kövesse az utasításokat.

A légszűrő karbantartása tekintetében normál körülmények esetén járjon el a motor különálló kézikönyvében olvasható utasítások szerint. Különösen poros környezetben történő használat esetén néhány óránként tisztítsa ki a légszűrőt. A légszűrő esedékes tisztítását a motor csökkenő teljesítménye és a légszűrő csöpögése jelzi.

A légszűrő karbantartása tekintetében járjon el a motor különálló kézikönyvében olvasható utasítások szerint. Szezononként egy ízben tisztítsa ki a gyújtógyertyát, és állítsa be az elektródahézagot. Gyújtógyertyát fűnyírási szezon előtt cseréljen; a gyújtógyertya típusát és az elektródahézag értékét megtalálja a motor kézikönyvében.

Tisztítsa meg rendszeresen a motort törlőronggyal vagy kefével. A hűtőrendszert (ventilátorház környéke) tartsa tisztán, hogy biztosítva legyen a motor megfelelő működéséhez és kellően hosszú élettartamához szükséges légáramlás. A kipufogó környékéről mindig távolítsa el a fűvet, szennyeződést és az éghető anyagokat.

11. TÁROLÁS (SZEZONON KÍVÜL)

A fűnyíró megfelelő tárolásához az alábbi lépések szükségesek.

1. A szezonban végzett utolsó fűnyírás után ürítse ki teljesen a benzintartályt.
 - a) Szivattyúval ürítse ki a benzintartályt.



VIGYÁZAT: Ne zárt helyiségben, vagy nyílt láng közvetlen közelében eressze le a benzint stb. Tilos a dohányzás! A benzingőzök berobbanhatnak, tüzet okozhatnak.

- b) A benzin leeresztése után indítsa be a motort, és járassa egészen addig, amíg az felhasználja az összes benzint és magától leáll.
 - c) Csavarja ki helyéről a gyújtógyertyát. Olajozókannával töltsön kb. 20 ml olajat az égéstérbe a gyertyafuraton keresztül. Az indítókötél meghúzásával oszlassa el egyenletesen a betöltött olajat az égéstérben. Csavarja vissza helyére a gyújtógyertyát.
2. Alaposan tisztítsa meg és kenje meg a fűnyírót a korábban a „KENÉSI ÚTMUTATÓ” pontban ismertetett módon.
 3. A korrózió elkerülésére vékonyan zsírozza be a vágószerkezetet.
 4. A fűnyíró tárolja száraz, tiszta, fagymentes, jogosulatlan személyek által nem hozzáférhető helyen.



VIGYÁZAT: A fűnyíró tárolóhelyre helyezése előtt hagyja teljesen lehűlni a motort.



MEGJEGYZÉS:

- Ha nem szellőző helyen tárol bármilyen motorral hajtott berendezést.
- Ügyeljen a berendezések korrózió elleni védelmére. Vonja be vékony réteg szilikonolajjal a berendezéseket, különös tekintettel a bovdenekre és mozgó alkatrészekre.
- Ügyeljen arra, hogy a bovdenek és egyéb kábelek ne törjenek meg, ne csípődjenek be.
- Ha az indítókötél kiakadna a fogantyún található kötélvezetőből, kösse ki, és tesztelje le a gyertyakábel, húzza be a pengevezérlő fogantyút, és húzza ki lassan a motorból az indítókötélet. Csúsztassa be a kötelet a fogantyún található kötélvezetőbe.

Szállítás

Állítsa le a motort. Ügyeljen arra, hogy a fűnyíró akadályokon való áttolása közben ne deformálódjon vagy sérüljön a vágószerkezet.

12. HIBAEHÁRÍTÁS

PROBLÉMA	LEHETSÉGES OK	ELHÁRÍTÁS
A motor nem indul be.	A gázkar nem az indítási feltételeknek megfelelő helyzetben áll.	Állítsa a gázkart a megfelelő helyzetbe.
	Kiürült az üzemanyagtartály.	Töltse fel a tartályt üzemanyaggal: lásd a MOTOR KEZELÉSI UTASÍTÁSÁT.
	Elszennyeződött a légszűrőbetét.	Tisztítsa ki a légszűrőbetétet: lásd a MOTOR KEZELÉSI UTASÍTÁSÁT.
	Kilazult a gyújtógyertya.	Húzza meg a gyújtógyertyát 25–30 Nm nyomatékkal.
	A gyertyakábel lelazult vagy levált a gyertyáról.	Tegye vissza a gyertyakábelt a gyújtógyertyára.
	Nem megfelelő a gyertyahézag.	Állítsa be az elektródák hézagát 0,7–0,8 mm értékűre.
	Hibás a gyújtógyertya.	Szereljen be egy új, megfelelő hézagúra beállított gyújtógyertyát: lásd a MOTOR KEZELÉSI UTASÍTÁSÁT.
	A karburátor túltöltődött benzinnel.	Szerelje ki a légszűrőbetétet, az indítókötél folyamatos használatával forgassa át párszor a motort, hogy a karburátor kiszellőzhessen, majd szerelje vissza a légszűrőbetétet.
	Hibás gyújtómodul.	Lépjön kapcsolatba a szerviz képviselőjével.
A motort nehéz beindítani, vagy nincs elég teljesítménye.	Szennyeződés, víz vagy lerakódás az üzemanyagtartályban.	Ürítse le az üzemanyagot, és tisztítsa ki a tartályt. Tankoljon tiszta, friss benzint.
	Eltömődött a tanksapka szellőzőfurata.	Tisztítsa ki vagy cserélje le a tanksapkát.
	Elszennyeződött a légszűrőbetét.	Tisztítsa ki a légszűrőbetétet.
A motor egyenetlenül jár.	Hibás a gyújtógyertya.	Szereljen be egy új, megfelelő hézagúra beállított gyújtógyertyát: lásd a MOTOR KEZELÉSI UTASÍTÁSÁT.
	Nem megfelelő a gyertyahézag.	Állítsa be az elektródák hézagát 0,7–0,8 mm értékűre.
	Elszennyeződött a légszűrőbetét.	Tisztítsa ki a légszűrőbetétet: lásd a MOTOR KEZELÉSI UTASÍTÁSÁT.
Gyenge az alapjárat.	Elszennyeződött a légszűrőbetét.	Tisztítsa ki a légszűrőbetétet: lásd a MOTOR KEZELÉSI UTASÍTÁSÁT.
	Eltömődtek a motorburkolat szellőzőnyílásai.	Távolítsa el a szennyeződést a szellőzőnyílásokból.
	Eltömődtek a hűtőbordák és a légjáratok a légűtő ház alatt.	Távolítsa el a szennyeződések a bordák közül és a légjáratokból.
A motor magas fordulatszámra kihal.	Túl kicsi a gyertyahézag.	Állítsa be az elektródák hézagát 0,7–0,8 mm értékűre.
A motor túlmelegszik.	A hűtőlevegő útja elzáródott.	Távolítsa el a szennyeződést a burkolat szellőzőnyílásai közül és a légjáratokból.
	Nem megfelelő a gyújtógyertya.	PLM4630/PLM4631 típusoknál: Szereljen be RJ19LMC típusú gyújtógyertyát, és tisztítsa meg a motor hűtőbordáit. PLM4632/PLM5130 típusoknál: Szereljen be QC12YC típusú gyújtógyertyát, és tisztítsa meg a motor hűtőbordáit.
A fűnyíró rendellenesen vibrál.	Lelazult a vágókés.	Húzza meg a kést.
	A vágó egység kiegyensúlyozatlan.	Egyensúlyozza ki a kést.

13. KÖRNYEZET

Ha a gép elérte élettartama végét, ne kezelje háztartási hulladékként, selejtezze környezetbarát módon.

Csak európai országokra vonatkozóan

EK Megfeleléségi nyilatkozat

Mi, a Makita Corporation mint a termék felelős gyártója kijelentjük, hogy az itt megnevezett Makita gép(ek):

Gép megnevezése: Benzinmotoros fűnyíró
Típuszám/Típus: PLM4630, PLM4631, PLM4632, PLM5130

Műszaki adatok: lásd „4. MŰSZAKI ADATOK” sorozatgyártásban készül, és

megfelel az alább felsorolt európai irányelvek előírásainak:

2004/108/EK, 2006/42/EK,
2000/14/EK és 2005/88/EK

Illetve gyártásuk a következő szabványoknak, valamint szabványosított dokumentumoknak megfelelően történik:
EN 836, EN ISO 14982

A műszaki dokumentációt őrzi:

Makita International Europe Ltd.,
Technical Department,
Michigan Drive, Tongwell,
Milton Keynes, Bucks MK15 8JD, Anglia.

A megfeleléség 2000/14/EK irányelv által előírt értékelési eljárását a VI. melléklet szerint végezték.

Tanúsító testület:

TÜV SÜD Industrie Service GmbH
Westendstraße 199, D-80686 München
Azonosítószám: 0036

Típus: PLM4630, PLM4631

Mért hangteljesítményszint: 94,2 dB (A)
Garantált hangteljesítményszint: 96 dB (A)

Típus: PLM4632

Mért hangteljesítményszint: 94,3 dB (A)
Garantált hangteljesítményszint: 96 dB (A)

Típus: PLM5130

Mért hangteljesítményszint: 95,9 dB (A)
Garantált hangteljesítményszint: 98 dB (A)

30. 11. 2012



Tomoyasu Kato

Igazgató

Makita Corporation

3-11-8, Sumiyoshi-cho,

Anjo, Aichi, 446-8502, JAPAN

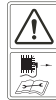
Vysvetlenie všeobecného pohľadu

- | | | |
|---------------------------------------|------------------------------------|---|
| 1. Rukoväť s ovládaním brzdy | 11. Bočný vyprázdňovací kanál | 22. Skrutka |
| 2. Horná rukoväť | 12. Bočná klapka | 23. Podložka |
| 3. Rukoväť ovládania vlastného pohonu | 13. Plošina | 24. Poistný otočný gombík |
| 4. Páčka sytiča | 14. Zapaľovacia sviečka | 25. Uzamykacia matica |
| 5. Rukoväť štartéra | 15. Uzáver olejovej nádrže | 26. Prevod na nastavenie uhla |
| 6. Vodiaci prvok lanka | 16. Uzáver palivovej nádrže | 27. Tlačidlo |
| 7. Blokovacia páka | 17. Káblová svorka | 28. Uzáver olejovej nádrže/ponorná mierka |
| 8. Spodná rukoväť | 18. Upevňovací krúžok kábla | 29. Max.: horná hranica |
| 9. Lapač trávy | 19. Páčka pre nastavenie rýchlosti | 30. Min.: spodná hranica |
| 10. Páčka nastavenia výšky | 20. Mulčovací klín | 31. Skrutka |
| | 21. Indikátor hladiny | |



VÝSTRAHA:

Kvôli vlastnej bezpečnosti si prečítajte tento návod skôr, ako sa pokúsíte prevádzkovať svoju novú jednotku. Opomenutie dodržiavať pokyny môže mať za následok vážne osobné poranenia. Venujte určitý čas a oboznámte sa pred každým použitím s kosačkou.



Počas vykonávania opráv demontujte zapaľovaciu sviečku a následne vykonajte opravu podľa návodu na obsluhu.



Upozornenie: Motor je horúci.

1. SYMBOLY VYZNAČENÉ NA VÝROBKU



Prečítajte si návod na obsluhu.



Zabráňte prístupu okolostojacich.



Viac pozornosti venujte rukám a nohám obsluhy, aby ste predišli poraneniám.



Palivo je horľavé; zabráňte prístupu ohňa. Palivo nepridávajte, keď motor beží.



Jedovaté výpary; neprevádzkujte v interiéri.



Počas kosenia používajte okuliare a ochranu uší s cieľom chrániť samotnú obsluhu.

2. VŠEOBECNÉ BEZPEČNOSTNÉ PRAVIDLÁ



VÝSTRAHA: Pri používaní benzínového náradia je nutné vždy dodržiavať základné bezpečnostné opatrenia s cieľom znížiť riziko vážnych osobných poranení a/alebo poškodenia jednotky. Všetky tieto pokyny si prečítajte pred prevádzkovaním tejto jednotky a tieto pokyny uschovajte pre možnú potrebu v budúcnosti.



VÝSTRAHA: Toto strojné zariadenie počas svojej prevádzky produkuje elektromagnetické pole. Toto pole môže v niektorých prípadoch ovplyvňovať činnosť aktívnych alebo pasívnych zdravotných implantátov. Aby sa znížilo riziko vážnych alebo smrteľných úrazov, odporúčame osobám, ktoré používajú zdravotné implantáty, aby sa pred prevádzkovaním tohto strojného zariadenia poradili so svojím lekárom alebo s výrobcou zdravotného implantátu.

Zaškolenie

- Tieto pokyny si dôkladne prečítajte. Oboznámte sa s ovládacími a správnym používaním zariadenia.
- Nikdy nedovoľte, aby deti alebo osoby, ktoré neboli oboznámené s týmito pokynmi, používali kosačku. Miestne nariadenia môžu obmedzovať vek obsluhy.
- Nikdy nekeste, pokiaľ stojíte v blízkosti osoby, hlavne deti, alebo zvieratá.
- Berte do úvahy, že obsluha alebo používateľ je zodpovedný za nehody alebo riziká vzniknulé vo vzťahu k ostatným osobám alebo k ich majetku.

Príprava

- Počas kosenia vždy používajte pevnú obuv a dlhé nohavice. Zariadenie neobsluhujte, pokiaľ ste bosí alebo máte sandále.
- Dôkladne skontrolujte miesto používania zariadenia a odstráňte všetky predmety, ktoré by mohli byť strojom odhodnené.
- **VÝSTRAHA** – benzín je veľmi horľavý.
 - palivo skladujte v nádobách špeciálne navrhnutých na tento účel;
 - palivo doplňajte v exteriéri a počas dopĺňania paliva nefajčíte;
 - palivo doplňajte pred naštartovaním motora. Nikdy nesiňte uzáver palivovej nádrže ani neprikladajte benzín, pokiaľ motor beží, alebo pokiaľ je motor horúci;
 - pokiaľ dôjde k rozliatiu benzínu, nepokúšajte sa naštartovať motor, ale stroj preneste do dostatočnej vzdialenosti od miesta rozliatia a zabráňte vzniku zdroja zapálenia, a to až dokiaľ sa benzínové výpary nerozptýlia;
 - uzáver palivovej nádrže a nádoby bezpečne nasadte naspäť.
- Vymeňte chybné tlmiče.
- Pred používaním vždy vizuálne skontrolujte a presvedčte sa, že čepele, skrutky čepeľ a montážna zostava rezného náradia nie sú opotrebované alebo poškodené. Aby ste zachovali vyváženú, vymieňajte naraz celú zostavu opotrebovaných alebo poškodených čepeľí a skrutiek.

Prevádzka

- Motor neprevádzkujte v uzavretom priestore, kde môže dôjsť k nahromadeniu nebezpečných výparov oxidu uhoľnatého.
- Koste iba pri dennom svetle alebo pri dobrom umelom osvetlení.
- Pokiaľ je to možné, vyhnite sa prevádzkovaniu zariadenia v mokrej tráve.
- Na svahoch vždy zaujmite stabilný postoj.
- Kráčajte a nikdy nebežte.
- Pokiaľ ide o kolesové rotačné stroje, koste pozdĺž čela svahov a nikdy nie nahor a nadol.
- Pri zmene smeru na svahoch dávajte maximálny pozor.
- Nekoste na nadmerne strmých svahoch.
- Pri pohybe smerom dozadu alebo pri ťahaní kosačky k sebe dávajte maximálny pozor.
- Čepeľ(e) zastavte pred sklopením kosačky kvôli prenosu cez netravnaté miesta a pred prenášaním kosačky na a z miesta kosenia.
- Kosačku nikdy nepoužívajte, pokiaľ sú poškodené jej chrániče, alebo bez namontovaných bezpečnostných zariadení, napríklad vychyľovačov a/alebo lapačov trávy.
- Nemeňte nastavenia regulátora motora ani maximálne otáčky motora.
- Pred naštartovaním motora vyradte všetky čepele a spojky pohonu.
- Motor naštartujte bezpečne podľa pokynov, pričom nohu majte v dostatočnej vzdialenosti od čepele(i).
- Kosačku neskláľajte pri štartovaní motora.

- Nespúšťajte motor, pokiaľ stojíte pred vyprázdňovacím žlabom.
- Ruky ani nohy nestrkajte do blízkosti alebo pod rotujúce časti. Počas celej doby zabezpečte, aby sa vyprázdňovací otvor nezanášal.
- Nikdy pri spustení motora kosačku nezdvíhajte ani neprenášajte.
- Zastavte motor a odpojte drôt zapaľovacej sviečky, presvedčte sa, že všetky pohyblivé časti sa úplne zastavili a pokiaľ je kosačka vybavená kľúčikom, kľúčik vyberte:
 - pred odstránením zablokovania alebo čistením žlabu;
 - pre vykonávaním kontroly, čistenia alebo prácou na kosačke;
 - po narazení na cudzí predmet. Pred opätovným naštartovaním a prevádzkovaním kosačky skontrolujte kosačku z pohľadu poškodenia a opravte ju;
 - ak kosačka začne neštandardne vibrovať (okamžite skontrolujte).
- Zastavte motor a odpojte drôt zapaľovacej sviečky, presvedčte sa, že všetky pohyblivé časti sa úplne zastavili a pokiaľ je kosačka vybavená kľúčikom, kľúčik vyberte:
 - vždy, keď kosačku opúšťate;
 - pred doplnením paliva.
- Počas dobehu motora uberte sýtič a ak je motor vybavený uzatváracím ventilom, v závere kosenia vypnite prívod paliva.

Údržba a skladovanie

- Všetky skrutky, svorníky a matice musia byť utiahnuté, aby sa zabezpečil bezpečný prevádzkový stav zariadenia.
- Zariadenie nikdy neskladujte s benzínom v nádrži vo vnútri budovy, kde sa výpary môžu dostať k otvorenému ohňu alebo iskre.
- Pred uskladnením na akomkoľvek uzavretom priestore nechajte motor vychladnúť.
- Na zníženie rizika vzniku požiaru motor, tlmáč, priestor na batériu a priestor na skladovanie benzínu majte čisté od trávy, listov alebo prílišného množstva maziva.
- Lapač trávy často kontrolujte z pohľadu opotrebovania alebo poškodenia.
- Opotrebované alebo poškodené súčasti z bezpečnostných dôvodov vymeňte.
- Ak musíte vyprázdniť palivovú nádrž, vykonajte to vonku.



VÝSTRAHA: Nedotýkajte sa rotujúcej čepele.



VÝSTRAHA: Palivo doplňajte na dobre vetranom mieste a pri zastavenom motore.

3. POPIS SÚČASTÍ (Obr. 1, Obr. 2, Obr. 3, Obr. 4)

Obsahuje

A: Kľúč na zapaľovaciu sviečku

4. TECHNICKÉ ÚDAJE

Model	PLM4630	PLM4631	PLM4632	PLM5130
Typ motora	Séria B&S 675EX, ReadyStart	Séria B&S 675EX, ReadyStart	Séria B&S 750EX, ReadyStart	Séria B&S 750EX, ReadyStart
S vlastným pohonom	Nie	Áno	Áno	Áno
Zdvihový objem motora	190 cm ³	190 cm ³	161 cm ³	161 cm ³
Šírka čepele	460 mm	460 mm	460 mm	510 mm
Menovité otáčky	2800/min.	2800/min.	2800/min.	2800/min.
Objem palivovej nádrže	1,0 l	1,0 l	1,0 l	1,0 l
Objem olejovej nádrže	0,6 l	0,6 l	0,6 l	0,6 l
Objem lapača trávy	60 l	60 l	60 l	65 l
Čistá hmotnosť	31,5 kg	34 kg	35 kg	38 kg
Nastavenie výšky	20 – 75 mm, 8 nastavení	20 – 75 mm, 8 nastavení	20 – 75 mm, 8 nastavení	20 – 75 mm, 8 nastavení

	PLM4630	PLM4631	PLM4632	PLM5130
Garantovaná úroveň akustického tlaku v polohe používateľa (podľa normy EN ISO 3744, EN ISO 4871)	83,5 dB (A) (K=3 dB (A))	83,5 dB (A) (K=3 dB (A))	83,9 dB (A) (K=3 dB (A))	85,7 dB (A) (K=3 dB (A))
Meraná úroveň akustického výkonu	94,2 dB (A) K=1,95 dB (A)	94,2 dB (A) K=1,95 dB (A)	94,3 dB (A) K=1,80 dB (A)	95,9 dB (A) K=2,16 dB (A)
Garantovaná úroveň akustického výkonu (podľa 2000/14/ES)	96 dB (A)	96 dB (A)	96 dB (A)	98 dB (A)
Vibrácie (podľa normy EN ISO 20643)	6,58 m/s ² K=1,5 m/s ²	6,58 m/s ² K=1,5 m/s ²	7,12 m/s ² K=1,5 m/s ²	6,53 m/s ² K=1,5 m/s ²

5. MONTÁŽ

5-1 MONTÁŽ SKLÁPACEJ RUKOVÄTI

- Pomocou skrutky, podložky a poistného otočného gombíka upevnite spodnú rukoväť na konzolu rukoväti. **(Obr. 5)**
- Zdvihnite dve blokovacie páky a pripojte hornú a spodnú rukoväť. **(Obr. 6)**
- Zatlačením zatvorte blokovaciu páku, čím dôjde k zablokovaniu rukoväti v prevádzkovej polohe. **(Obr. 7)**
- Nastavte napnutie otáčaním uzamykacej matice; použite na to vhodný kľúč. **(Obr. 8)**
- Kábel umiestnite ponad tyčku rukoväte. Pomocou káblovej svorky ho prichyťte okolo strednej časti spodnej rukoväti tak, aby bol kábel prichytený okolo vonkajšej časti rukoväti. **(Obr. 9, Obr. 10)** V opačnom prípade môže byť kábel zovretý pri otvorení/zatvorení zadného krytu.

5-2 NASTAVENIE SPRÁVNEHO UHLA

- Potiahnutím otvorte blokovaciu páku.
- Otočením hornej rukoväti vycentrovanej v prevode na nastavenie uhla nastavte správny uhol v rozsahu -15° až 15° (3 polohy: -15°/0°/15°), ako je to znázornené na **Obr. 11**.
- Stlačením zatvorte blokovaciu páku a spojte spodnú a hornú rukoväť.

5-3 MONTÁŽ A DEMONTÁŽ LAPAČA TRÁVY

- Montáž: Zdvihnite zadný kryt a zahákujte lapač trávy na zadnú stranu kosačky. **(Obr. 12, Obr. 13, Obr. 14)**

- Demontáž: Uchopte a zdvihnite zadný kryt a snímte lapač trávy.

5-4 RUKOVÄŤ ŠTARTÉRA

Presuňte rukoväť štartéra od motora k vodiacemu prvku lanka. **(Obr. 15)**

5-5 VÝŠKA REZU

Pokiaľ chcete páčku uvoľniť z ozubenia, vyviňte na ňu tlak smerom von. Výšku nastavte posunutím páčky dopredu alebo dozadu. **(Obr. 16 a článok 7-9)**

6. FUNKCIE

Štandardnú funkciu týchto kosačiek možno prispôsobiť v závislosti na účele použitia:

Z kosačky so zadným zberaním na:

- mulčovaciu kosačku alebo
- kosačku s bočným vyprázdňovaním.

Čo je mulčovanie?

Počas mulčovania je tráva odseknutá v rámci jedného pracovného kroku, následne je najemno posekaná a vrátená do trávnik ako prírodné hnojivo.

Tipy pre kosenie s mulčovaním:

- Vykonať bežné kosenie 2 cm s cieľom dosiahnuť 6 cm až 4 cm výšku trávy.
- Použite ostrý rezný nôž.
- Nekoste mokrú trávu.
- Nastavte maximálne otáčky motora.
- Koste pri pohybe pracovným krokom.
- Pravidelne čistite mulčovací klin, vnútornú stranu skrine a pohyblivú čepeľ.

Naštartovanie

6-1 Prispôsobenie na mulčovací kosačku



VÝSTRAHA: Jedine so zastaveným motorom a zastavenou kosačkou.

1. Zdvihnite zadný kryt a demontujte lapač trávy.
2. Zatláčte mulčovací klin do plošiny. Mulčovací klin zaistíte tlačidlom do otvoru na plošine. (**Obr. 17, Obr. 18**)
3. Opätovne znížte zadný kryt. (**Obr. 19**)
4. Zdvihnite bočnú klapku a demontujte bočný vyprázdňovací kanál.

6-2 Prestavenie na kosenie s bočným vyprázdňovaním



Jedine pokiaľ sú motor a kosenie zastavené!

1. Zdvihnite zadný kryt a demontujte lapač trávy.
2. Namontujte mulčovací klin.
3. Zdvihnite bočnú klapku pre bočné vyprázdňovanie. (**Obr. 20**)
4. Na podperný kolík bočnej klapky namontujte bočný vyprázdňovací kanál pre bočné vyprázdňovanie. (**Obr. 21**)
5. Znížte bočnú klapku – klapka spočíva na bočnom vyprázdňovacom kanáli. (**Obr. 22**)

6-3 Kosenie s lapačom trávy



Jedine so zastaveným motorom a zastavenou kosačkou.

Pokiaľ chcete kosiť s lapačom trávy, demontujte mulčovací klin a vyprázdňovací kanál pre bočné vyprázdňovanie a namontujte lapač trávy.

1. Demontáž mulčovacieho klina.
 - Zdvihnite zadný kryt a demontujte mulčovací klin.
2. Demontáž bočného vyprázdňovacieho kanála pre bočné vyprázdňovanie.
 - Zdvihnite bočnú klapku a demontujte bočný vyprázdňovací kanál.
 - Bočná klapka pomocou pružiny automaticky zatvára vyprázdňovací otvor na skrini.
 - Bočnú klapku a vyprázdňovací otvor pravidelne čistite od zvyškov trávy a zachytenej špiny.
3. Namontujte lapač trávy.
 - Montáž: Zdvihnite zadný kryt a zahákujte lapač trávy na zadnú stranu kosačky.
 - Demontáž: Uchopte a zdvihnite zadný kryt a snímte lapač trávy.

7. POKYNY NA PREVÁDZKU

7-1 PRED NAŠTARTOVANÍM

Motor prevádzkujte v spojení s benzínom a olejom podľa pokynov uvedených v samostatnom návode na obsluhu motora, ktorý je priložený k vašej kosačke. Pokyny si starostlivo prečítajte. (**Obr. 23, Obr. 24, Obr. 25, Obr. 26**)



VÝSTRAHA: Benzín je veľmi horľavý.

Palivo skladujte v kontajneroch špeciálne navrhnutých na tento účel.

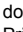
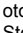
Palivo doplňajte iba v exteriéri a pred spustením motora; počas doplňania ani manipulácie s palivom nefajčite. Uzáver palivovej nádrže nesnímajte a benzín nedolievajte nikdy počas chodu motora alebo keď je motor horúci. Pokiaľ dôjde k rozliatiu benzínu, nepokúšajte sa naštartovať motor, ale stroj preneste do dostatočnej vzdialenosti od miesta rozliatia a zabráňte vzniku zdroja zapálenia, a to až dokiaľ sa benzínové výpary nerozptýlia. Všetky uzávery palivových nádrží a nádrží na palivo bezpečne nasadte naspäť.

Pred obrátením kosačky s cieľom údržby čepele alebo vypustenia oleja, vypustite z nádrže palivo.



VÝSTRAHA: Palivovú nádrž nikdy nedoplňajte v interiéri, pri spustenom motore alebo ak ste nenechali motor vychladnúť počas doby aspoň 15 minút od jeho spustenia.

7-2 SPUSTENIE MOTORA A ZARADENIE ČEPELE

1. Jednotka je vybavená gumenou pätkou, ktorá sa nachádza nad koncom zapaľovacej sviečky. Presvedčte sa, že kovová slučka na konci drôtu zapaľovacej sviečky (vo vnútri gumenej pätky) je bezpečne utiahnutá ku kovovému hrotu zapaľovacej sviečky.
2. Pri štartovaní studeného motora otočte páčku sýtiča do polohy „“. Pri štartovaní horúceho motora a pri prevádzkovaní otočte páčku sýtiča do polohy „“. (**Obr. 27**)
3. Stojac za jednotkou uchopte rukoväť s ovládaním brzdy a držte ju oproti hornej rukoväti, ako je to znázornené na **Obr. 28**.
4. Uchopte rukoväť štartéra, ako je to znázornené na **Obr. 28**, a silno ju potiahnite. Po naštartovaní motora ju pomaly vráťte do skrutky vodiaceho prvkú lanka. Pokiaľ chcete zastaviť motor a čepeľ, uvoľnite rukoväť s ovládaním brzdy.



Motor naštartujte bezpečne podľa pokynov, pričom nohu majte v dostatočnej vzdialenosti od čepele.



Kosačku neskláľajte pri štartovaní motora. Kosačku štartujte na rovnom povrchu bez výskytu vysokej trávy alebo prekážok.



Zabráňte styku rúk a nôh s rotujúcimi súčasťami. Nespúšťajte motor, pokiaľ stojíte pred vyprázdňovacím otvorom.

7-3 PRACOVNÉ POSTUPY

Počas prevádzky pevne oboma rukami držte rukoväť s ovládaním brzdy.

Poznámka: Pokiaľ počas prevádzky uvoľníte rukoväť s ovládaním brzdy, dôjde k zastaveniu motora a tým aj prevádzky kosačky.

7-4 ZASTAVENIE MOTORA



UPOZORNENIE: Po vypnutí motora sa bude čepeľ ešte niekoľko sekúnd otáčať.

1. Pokiaľ chcete zastaviť motor a čepeľ, uvoľníte rukoväť s ovládaním brzdy. (**Obr. 29**)
2. Odpojte a uzemnite drôt zapaľovacej sviečky, ako je to uvedené v samostatnom návode na obsluhu motora, čím zabránite náhodnému naštartovaniu počas doby, kedy je zariadenie ponechané bez dozoru.


7-5 SPOJENIE PRE AUTOMATICKÝ POHYB

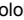
Pre PLM4631

Uchopte rukoväť ovládania vlastného pohonu; kosačka sa automaticky pohne dopredu pri rýchlosti asi 3,6 km/h (**Obr. 30**); pokiaľ uvoľníte rukoväť ovládania vlastného pohonu, kosačka sa zastaví.

Pre PLM4632, PLM5130

Kosačka je vybavená systémom nastavenia rýchlosti, ktorým dokážete nastaviť 3 rýchlosti v rozsahu 3,0 km/h až 4,5 km/h.

Poloha „“: poloha pre najpomalší pohyb; Poloha

„“: poloha pre najrýchlejší pohyb. (**Obr. 31**)

Vykonajte to nasledujúcim spôsobom:

1. Uvoľníte rukoväť ovládania vlastného pohonu, a to dokiaľ sa kosačka nebude pohybovať dopredu.
2. Nastavte vami požadovanú správnu rýchlosť. (**Obr. 31**)
3. Uchopte rukoväť ovládania vlastného pohonu a pokračujte v kosení. (**Obr. 30**)



UPOZORNENIE: Vaša kosačka je navrhnutá na sekanie trávy na plochách pri obytných budovách, ktorej výška je do 250 mm.

Nepokúšajte sa kosiť nezvyčajne vysokú suchú alebo mokrú trávu (napr. pastviny) alebo kopy suchého lístia. Na plošine kosačky sa môžu usádzať úlomky, alebo môže dôjsť ku kontaktu s motorom s dôsledkom možného rizika požiaru.

7-6 AKO DOSIAHNUŤ NAJLEPŠIE VÝSLEDKY POČAS KOSENIA

Vyčistite trávnik od úlomkov. Z trávniku odstráňte kamene, triesky, drôty alebo ďalšie cudzie predmety, ktoré by mohli byť kosačkou náhodne odhodené ktorýmkoľvek smerom a ktoré mohli spôsobiť vážne osobné poranenia obsluhy a ostatných, ako aj poškodenie majetku a okolitých objektov. Nekoste mokrú trávu. Na dosiahnutie účinného kosenia nekoste mokrú trávu, pretože má tendenciu príľnúť na spodnú časť plošiny a zabraňovať v správnom kosení kúskov trávy. Koste na dĺžku nie viac ako 1/3 dĺžky trávy. Odporúčaná výška rezu pre kosenie je 1/3 dĺžky trávy. Rýchlosť pohybu po zemi je potrebné nastaviť tak, aby boli odseknuté kúsky rovnomerne roztrúsené do trávniku. Hlavne pre ťažké kosenie hustej trávy môže byť potrebné použiť jednu za najnižších rýchlostí s cieľom dosiahnuť čisté dobré kosenie. Pri kosení vysokej trávy bude potrebné vykonať kosenie trávniku v dvoch fázach, pričom v prípade

druhé kosenie dôjde k zníženiu čepele o ďalšiu 1/3 a možno kosiť aj v inom smere, ako ste kosiť prvýkrát. Mierne prekryvanie pásov kosenia pri každom prechode kosačkou taktiež dopomôže vyčistiť zabudnuté zvyšky z trávniku. Kosačka by mala byť vždy prevádzkovaná pri plne otvorenom sýťci s cieľom dosiahnuť najlepší rez a umožniť najefektívnejšie kosenie. Vyčistite spodnú stranu plošiny. Po každom použití vyčistite spodnú stranu plošiny kosačky s cieľom zabrániť koseniu trávy, ktorá by zabránila správne mulčovaniu. Kosenie lístia. Prínosom pre váš trávnik môže byť aj kosenie lístia. Pri kosení lístia sa presvedčte, že lístie je suché a neleží na trávniku vo veľmi hrubej vrstve. Pred kosením nečakajte, kým zo stromov opadne všetko lístie.



VÝSTRAHA: Po narazení na cudzí predmet zastavte motor. Od zapaľovacej sviečky odpojte drôt, dôkladne skontrolujte kosačku z pohľadu poškodenia a poškodenie opravte pred opätovným naštartovaním a prevádzkovaním kosačky. Nadmerné vibrácie kosačky počas prevádzky indikujú poškodenie. Jednotka by mala byť čo najskôr skontrolovaná a opravená.

7-7 LAPAČ TRÁVY

V hornej časti lapača trávy je indikátor hladiny, ktorý ukazuje, či je lapač prázdny alebo plný (**Obr. 32, Obr. 33**):

- Indikátor hladiny sa nafúkne, ak lapač nie je počas kosenia plný. (**Obr. 33**)
- Ak je lapač plný, indikátor splasne; ak k tomu dôjde, okamžite prestaňte s kosením a lapač vyprázdňte, vyčistite ho a skontrolujte, že sieťka je odvetrávaná. (**Obr. 32**)

DÔLEŽITÉ

Ak je miesto otvoru indikátora veľmi špinavé, indikátor sa v takom prípade nebude nafukovať; okamžite vyčistite miesto otvoru indikátora.

7-8 PLOŠINA

Spodná strana plošiny kosačky by mala byť vyčistená po každom použití, aby sa zabránilo usadzovaniu zvyškov trávy, lístia, špiny a ďalších materiálov. Pokiaľ umožníte hromadeniu zvyškov, podporíte tak vznik hrdze a korózie, a taktiež zabránite správne mulčovaniu. Plošinu môžete vyčistiť sklopením kosačky a oškriabaním dočista pomocou vhodného nástroja (skontrolujte, že ste najprv odpojili drôt zapaľovacej sviečky).

7-9 POKYNY PRE NASTAVENIE VÝŠKY



UPOZORNENIE: Nikdy na kosačke nevykonávajte žiadne úpravy bez toho, aby ste ju najprv zastavili a odpojili drôt zapaľovacej sviečky.



UPOZORNENIE: Pred zmenou výšky kosenia zastavte kosačku a odpojte drôt zapaľovacej sviečky.

Vaša kosačka je vybavená centrálnou páčkou nastavenia výšky, ktorá ponúka 8 výškových polôh. Výšku (čepeľ od zeme) možno nastaviť od 20 mm do 75 mm (8 polôh nastavení výšky). (**Obr. 34**)

Najnižšia poloha: 20 mm (poloha 1), najvyššie nastavenie: 75 mm (poloha 8).

1. Pred vykonaním zmeny výšky kosenia zastavte kosačku a odpojte drôt zapaľovacej sviečky.
2. Centrálna páčka nastavenia výšky ponúka 8 rôznych výškových polôh. **(Obr. 34)**

Pokiaľ chcete zmeniť výšku rezu, stlačte páčku nastavenia smerom ku kolesu a posuňte nahor alebo nadol na zvolenú výšku.

8. POKYNY PRE ÚDRŽBU

ZAPAĽOVACIA SVIEČKA

Používajte jedine originálnu náhradnú sviečku. Na dosiahnutie najlepších výsledkov vymieňajte zapaľovaciu sviečku raz za 100 hodín používania.

9. POKYNY PRE MAZANIE



UPOZORNENIE: PRED VYKONÁVANÍM SERVISU ODPOJTE ZAPAĽOVACIU SVIEČKU.

1. KOLESÁ – všetky guľôčkové ložiská všetkých kolies namažte ľahkým olejom aspoň raz za sezónu.
2. MOTOR – pokyny pre mazanie nájdete v návode na obsluhu motora.

10. ČISTENIE



UPOZORNENIE: Motor neumývajte hadicou. Voda môže poškodiť motor a znečistiť palivový systém.

1. Plošinu kosačky utrite dosucha tkaninou.
2. Hadicou umyte spodnú časť plošiny kosačky naklonením kosačky tak, aby zapaľovacia sviečka bola hore.

10-1 VZDUCHOVÝ ČISTIČ MOTORA



UPOZORNENIE: Nedovoľte, aby špina alebo prach zanesli penový prvok vzduchového filtra. Servis (vyčistenie) prvku vzduchového filtra motora sa musí vykonávať po 25 hodinách štandardného kosenia. Servis penového prvku sa musí vykonávať pravidelne, pokiaľ sa kosačka používa v suchých prašných podmienkach.

ČISTENIE VZDUCHOVÉHO FILTRA

1. Odskrutkujte skrutku. **(Obr. 35** pre PLM4632 a PLM5130)
 2. Demontujte poistný otočný gombík. **(Obr. 36** pre PLM4630 a PLM4631)
 3. Demontujte kryt filtra.
 4. Prvok filtra umyte v saponátovej vode.
- NEPOUÍVAJTE BENZÍN!**
5. Prvok filtra nechajte vyschnúť na vzduchu.
 6. Na penový filter kvapnite niekoľko kvapiek oleja SAE30 a dôkladne stlačte s cieľom odstrániť prebytočný olej.
 7. Filter nainštalujte.

POZNÁMKA: Filter vymeňte ak je roztrhnutý, poškodený, alebo ak ho nemožno vyčistiť.

10-2 REZNÁ ČEPEĽ



UPOZORNENIE: Pred prácou na reznej čepeľi odpojte a uzemnite drôt zapaľovacej sviečky s cieľom predísť náhodnému spusteniu motora. Ruky si chráňte používaním hrubých rukavíc alebo handry, ktorou uchopíte čepele. Kosačku prevráťte, ako je to uvedené v samostatnom návode na obsluhu motora. Odskrutkujte šesťhrannú skrutku a podložku pridržiavajúcu čepeľ a adaptér čepele ku kľukovému hriadeľu motora. Z kľukového hriadeľa demontujte čepeľ a adaptér.



VÝSTRAHA: Adaptér čepele pravidelne kontrolujte z pohľadu prasklín, a to hlavne ak narazíte na cudzí predmet. V prípade potreby vymeňte. Kvôli dosiahnutiu najlepších výsledkov by mala byť čepeľ ostrá. Čepeľ možno opätovne naostríť po jej demontovaní buď brúsením alebo pilníkovaním reznej hrany, a to pri čo najlepšom zachovaní pôvodného skosenia čepele. Je nesmierne dôležité, aby ste každú reznú hranu obrúsili o rovnaké množstvo materiálu, aby ste tak predišli nevyváženosti čepele. Nesprávne vyváženie čepele bude mať za následok nadmerné vibrácie s dôsledkom eventuality poškodenia motora a kosačky. Po naostrení čepele dôkladne vyvážte. Vyváženie čepele možno skontrolovať jej vyváženíom na skrutkovači s okrúhlu tyčkou. Z hrubšej strany odstráňte kov, a to až dokiaľ nebude čepeľ vyvážená. **(Obr. 37)**

Pred opätovným namontovaním čepele a adaptéra čepele na jednotku namažte kľukový hriadeľ motora a vnútorný povrch adaptéra čepele ľahkým olejom. Adaptér čepele nainštalujte na kľukový hriadeľ. Pozrite si **Obr. 37**. Čepeľ umiestnite tak, aby číslo súčiastky smerovalo od adaptéra. Nad čepeľ uložte podložku a vložte šesťhrannú skrutku. Šesťhrannú skrutku utiahnite na hodnotu krútiaceho momentu uvedenú nižšie.

10-3 MONTÁŽNY KRÚTIACI MOMENT PRE ČEPEĽ

Stredná skrutka 40 Nm – 50 Nm na zaistenie bezpečnej činnosti vašej jednotky. Všetky matice a skrutky musia byť pravidelne kontrolované z pohľadu správneho utiahnutia. Po dlhodobom používaní, hlavne v podmienkach piesčitej pôdy, dôjde k opotrebovaniu čepele a k strate časti jej pôvodného tvaru. Dôjde z redukovaníu účinného kosenia a čepeľ bude potrebné vymeniť. Vymeňte jedine za výrobné schválenú náhradnú čepeľ. Možné poškodenie v dôsledku stavu nevyváženosti čepele nie je v zodpovednosti výrobcu.

Pri výmene čepele musíte použiť originálny typ vyznačený na čepeľi (MAKITA 263001451 pre PLM4630/PLM4631/PLM4632, MAKITA 263002552 pre PLM5130) (pokiaľ si chcete objednať čepeľ, spojte sa so svojim miestnym predajcom, alebo zavolajte na našu spoločnosť; pozrite si obálku dokumentu).

10-4 MOTOR

Pokyny ohľadne údržby motora nájdete v samostatnom návode na obsluhu motora. Motorový olej používajte podľa pokynov v samostatnom návode na obsluhu motora dodávanom s vašou

jednotkou. Pokyny si dôkladne prečítajte a dodržiavajte ich.

Servis vzduchového čističa v rámci štandardných podmienok vykonávajte podľa samostatného návodu na obsluhu motora.

V prípade veľmi prašných podmienok čistíte stále po niekoľkých hodinách. Slabý výkon motora a jeho zaplavenie sú príznakom toho, že by ste mali vykonať servis vzduchového čističa.

Informácie o vykonávaní servisu vzduchového čističa nájdete v samostatnom návode na obsluhu motora, ktorý je súčasťou balenia vašej jednotky.

Zapaľovaciu sviečku by ste mali vyčistiť a jej iskrište opätovne nastaviť raz za sezónu. Vykonať výmenu zapaľovacej sviečky sa odporúča na začiatku každej sezóny kosenia; informácie o správnom type zapaľovacej sviečky a technické špecifikácie o iskrišti nájdete v návode na obsluhu motora.

Motor pravidelne čistíte pomocou tkanina alebo kefy. Chladiaci systém (miesto skrine ventilátora) udržiavajte v čistote, aby ste zabezpečili správnu cirkuláciu vzduchu, ktorá je dôležitá pre výkon a životnosť motora. Z oblasti tmiča výfuku odstraňujte trávu, špinu a horľavé úlomky.

11. POKYNY PRE USKLADNENIE (MIMO SEZÓNY)

Pokiaľ chcete pripraviť kosačku na skladovanie, vykonajte nasledujúce kroky.

- Po poslednom kosení v rámci sezóny vyprázdňte nádrž.
 - Palivovú nádrž vyprázdňte pomocou sacieho čerpadla.
- Kosačku dôkladne vyčistíte a namažete, ako je to opísané v časti „POKYNY PRE MAZANIE“.
- Aby ste predišli korózii, sečné náradie mierne namažte.
- Kosačku uskladnite na suchom a pred mrazom chránenom mieste, mimo dosahu neoprávnených osôb.

- Pozornosť by ste mali venovať ochrane zariadenia pred hrdzou. Pomocou ľahkého oleja alebo silikónu namažte zariadenie, hlavne káble a pohyblivé súčasti.
- Dávajte pozor, aby ste neohli alebo neskrútili káble.
- Pokiaľ dôjde k odpojeniu lanka štartéra od vodiaceho prvku lanka na rukoväti, odpojte a uzemnite drôt zapaľovacej sviečky, stlačte rukoväť ovládania čepele a pomaly vytiahnite z motora lanko štartéra. Lanko štartéra zasuňte do skrutky vodiaceho prvku lanka na rukoväti.

Preprava

Motor vypnite. Pri tlačení kosačky cez prekážku dávajte pozor, aby nedošlo k ohnuti alebo poškodeniu sečného náradia.



UPOZORNENIE: Benzín nevypúšťajte v uzatvorených miestnostiach, v blízkosti otvoreného ohňa a podobne. Nefajčite! Benzínové výpary môžu spôsobiť výbuch alebo požiar.

- Naštartujte motor a nechajte ho bežať, dokiaľ sa nespotrebuje všetok benzín a nezastaví sa motor.
- Zapaľovaciu sviečku demontujte. Pomocou plechovky na olej nalejte do spaľovacej komory asi 20 ml oleja. Pohybovaním štartérom v spaľovacej komore rovnomerne naneste olej. Namontujte zapaľovaciu sviečku.



UPOZORNENIE: Pre uskladnením kosačky musí motor úplne vychladnúť.



POZNÁMKA:

- Pri uskladnení akéhokoľvek typu elektrického zariadenia v nevetranej kôlne alebo v kôlne na uskladnenie materiálu.

12. RIEŠENIE PROBLÉMOV

PROBLÉM	MOŽNÁ PRÍČINA	NÁPRAVA
Motor nenašartuje.	Škrtiaca klapka nie je v správnej polohe pre aktuálne pretrvávajúce podmienky.	Posuňte škrtiacu klapku do správnej polohy.
	Palivová nádrž je prázdna.	Palivovú nádrž naplňte palivom: pozrite si NÁVOD NA OBSLUHU MOTORA.
	Prvok vzduchového čističa je špinavý.	Prvok vzduchového čističa vyčistíte: pozrite si NÁVOD NA OBSLUHU MOTORA.
	Zapaľovacia sviečka je uvoľnená.	Zapaľovaciu sviečku utiahnite na hodnotu krútiaceho momentu 25 – 30 Nm.
	Drôt zapaľovacej sviečky je uvoľnený alebo odpojený od sviečky.	Drôt zapaľovacej sviečky nainštalujte na zapaľovaciu sviečku.
	Iskrište zapaľovacej sviečky nie je správne nastavené.	Nastavte iskrište tak, aby štrbina medzi elektródami bola 0,7 až 0,8 mm.
	Zapaľovacia sviečka je chybná.	Nainštalujte novú sviečku so správne nastaveným iskrištom: pozrite si NÁVOD NA OBSLUHU MOTORA.
	Karburátor je zaplavený palivom.	Demontujte prvok vzduchového čističa a fahajte nepretržite lanko štartéra, dokiaľ sa karburátor sám nevyčistí; následne nainštalujte prvok vzduchového čističa.
	Chybný modul zapaľovania.	Spojte sa so servisným zástupcom.
Je ťažké naštartovať motor, alebo motor stráca výkon.	Špina, voda alebo uschnutá palivová nádrž.	Palivovú nádrž vypustite a vyčistíte. Nádrž naplňte čistým, čerstvým palivom.
	Vetrací otvor na uzávere palivovej nádrže je upchaný.	Vyčistite alebo vymeňte uzáver palivovej nádrže.
	Prvok vzduchového čističa je špinavý.	Prvok vzduchového čističa vyčistíte.
Motor pracuje nepravidelne.	Zapaľovacia sviečka je chybná.	Nainštalujte novú sviečku so správne nastaveným iskrištom: pozrite si NÁVOD NA OBSLUHU MOTORA.
	Iskrište zapaľovacej sviečky nie je správne nastavené.	Nastavte iskrište tak, aby štrbina medzi elektródami bola 0,7 až 0,8 mm.
	Prvok vzduchového čističa je špinavý.	Prvok vzduchového čističa vyčistíte: pozrite si NÁVOD NA OBSLUHU MOTORA.
Voľnobeh motora je slabý.	Prvok vzduchového čističa je špinavý.	Prvok vzduchového čističa vyčistíte: pozrite si NÁVOD NA OBSLUHU MOTORA.
	Vetracie štrbiny na plášti motora sú zablokované.	Zo štrbín odstráňte úlomky.
	Chladiace rebrá a vzduchové prechody pod skriňou ventilátora motora sú zablokované.	Z chladiacich rebier a vzduchových prechodov odstráňte úlomky.
Motor pri vysokých otáčkach vynecháva.	Štrbina medzi elektródami zapaľovacej sviečky je veľmi malá.	Nastavte iskrište tak, aby štrbina medzi elektródami bola 0,7 až 0,8 mm.
Motor sa prehrieva.	Tok chladiaceho vzduchu je obmedzený.	Odstráňte všetky úlomky zo štrbín v plášti, skrine ventilátora a vzduchových prechodov.
	Nesprávna zapaľovacia sviečka.	Pre PLM4630/PLM4631: Na motor nainštalujte zapaľovaciu sviečku RJ19LMC a chladiace rebrá. Pre PLM4632/PLM5130: Na motor nainštalujte zapaľovaciu sviečku QC12YC a chladiace rebrá.
Kosačka neštandardne vibruje.	Rezná zostava je uvoľnená.	Utiahnite čepeľ.
	Rezná zostava je nevyvážená.	Čepeľ vyvážte.

13. OCHRANA ŽIVOTNÉHO PROSTREDIA

Pokiaľ chcete po dlhodobom používaní stroja stroj vymeniť za iný, nevyhadzujte ho do domového odpadu, ale ho zneškodnite environmentálne bezpečným spôsobom.

Len pre krajiny Európy

Vyhlasenie o zhode so smernicami Európskeho spoločenstva

**Naša spoločnosť Makita, ako zodpovedný výrobca
vyhlasuje, že nasledujúce strojné zariadenie(a)
značky Makita:**

Označenie zariadenia: Benzínová kosačka
Č. modelu/typ: PLM4630, PLM4631, PLM4632, PLM5130
Technické špecifikácie: pozrite si časť „4. TECHNICKÉ
ÚDAJE“ predstavuje výrobok sériovej výroby

a vyhovuje nasledujúcim európskym smerniciam:

2004/108/ES, 2006/42/ES,
2000/14/ES a 2005/88/ES

a je vyrobené podľa nasledujúcich noriem alebo
štandardizovaných dokumentov:

EN 836, EN ISO 14982

Technickú dokumentáciu archivuje:

Makita International Europe Ltd.,
Technical Department,
Michigan Drive, Tongwell,
Milton Keynes, Bucks MK15 8JD, Anglicko

Postup posúdenia zhody, ako vyžaduje smernica 2000/
14/ES bol zrealizovaný podľa Prílohy VI.

Oboznámený orgán:

TÜV SÜD Industrie Service GmbH
Westendstraße 199, D-80686 München
Identifikačné číslo: 0036

Model: PLM4630, PLM4631

Meraná úroveň akustického výkonu: 94,2 dB (A)
Garantovaná úroveň akustického výkonu: 96 dB (A)

Model: PLM4632

Meraná úroveň akustického výkonu: 94,3 dB (A)
Garantovaná úroveň akustického výkonu: 96 dB (A)

Model: PLM5130

Meraná úroveň akustického výkonu: 95,9 dB (A)
Garantovaná úroveň akustického výkonu: 98 dB (A)

30. 11. 2012



Tomoyasu Kato
Riaditeľ

Makita Corporation
3-11-8, Sumiyoshi-cho,
Anjo, Aichi, 446-8502, JAPAN

Vysvětlení k celkovému pohledu

- | | | |
|-----------------------------|-------------------------------|--|
| 1. Držadlo ovládání brzdy | 12. Postranní záklopka | 23. Podložka |
| 2. Horní část držadla | 13. Kryt | 24. Pojistný knoflík |
| 3. Držadlo ovládání pojezdu | 14. Zapalovací svíčka | 25. Pojistná matice |
| 4. Páčka plynu | 15. Víčko olejové nádrže | 26. Ozubené soukolí nastavení úhlu |
| 5. Rukojeť startéru | 16. Víčko palivové nádrže | 27. Tlačítko |
| 6. Vodítko lanka | 17. Přichytka kabelu | 28. Víčko olejové nádrže/olejová měrka |
| 7. Pojistná páčka | 18. Kroužek uchycení kabelu | 29. Max.: horní mez |
| 8. Dolní část držadla | 19. Páčka nastavení rychlosti | 30. Min.: dolní mez |
| 9. Sběrací koš | 20. Mulčovací klín | 31. Šroub |
| 10. Páčka nastavení výšky | 21. Indikátor zaplnění | |
| 11. Boční vyhazovací kanál | 22. Šroub | |



VAROVÁNÍ:

Před uvedením nového zařízení do provozu si v zájmu vlastní bezpečnosti nejprve přečtěte tuto příručku. Nedodržení pokynů může vést k vážnému zranění. Před každým použitím se krátce seznámte s ovládáním sekačky.



Při opravě vyjměte zapalovací svíčku a postupujte v souladu s návodem k obsluze.



Upozornění: Motor je horký.

1. SYMBOLY VYZNAČENÉ NA VÝROBKU



Přečtěte si uživatelskou příručku.



Nepracujte v blízkosti přihlízejících osob.



Obsluha si musí dávat pozor na ruce a nohy, aby nedošlo ke zranění.



Palivo je hořlavé, nepřibližujte se k otevřenému ohni. Palivo nenalévejte do spuštěné sekačky.



Benzínové výpary jsou toxické – nepracujte uvnitř budov.



Při sekání používejte brýle a ochranu sluchu.

2. VŠEOBECNÁ BEZPEČNOSTNÍ PRAVIDLA



VAROVÁNÍ: Při práci s zařízením poháněným spalovacím motorem je vždy třeba dodržovat základní bezpečnostní opatření (včetně níže uvedených). Zamezíte tak nebezpečí vážného zranění či poškození zařízení. Před prací se zařízením si přečtěte veškeré pokyny a uchovejte je pro pozdější využití.



VAROVÁNÍ: Při provozu tohoto zařízení vzniká elektromagnetické pole. Toto pole může za určitých okolností rušit činnost aktivních či pasivních lékařských implantátů. Osobám s lékařskými implantáty proto v zájmu omezení nebezpečí vážného poškození zdraví nebo i smrtelného úrazu doporučujeme, aby se před používáním tohoto zařízení poradily s lékařem nebo výrobcem příslušného implantátu.

Průprava

- Pečlivě si přečtěte pokyny. Obeznamte se s ovládacími prvky a správným používáním zařízení.
- Nikdy nedovolte, aby sekačku obsluhovaly děti nebo osoby neobeznámené s těmito pokyny. Věk obsluhy může být omezen místními předpisy.
- Nikdy nesekejte v blízkosti osob, zvláště pak dětí a domácích zvířat.
- Pamatujte, že za nehody nebo vystavení nebezpečí jiných osob a jejich majetku odpovídá obsluha či uživatel.

Příprava

- Při sekání vždy noste pevnou obuv a dlouhé kalhoty. Se zařízením nepracujte naboso ani v otevřených sandálech.
- Řádně prohlédněte místo, kde budete se zařízením pracovat, a odstraňte veškeré předměty, jež mohou být sekačkou odmrštěny.
- VAROVÁNÍ – benzín je vysoce hořlavý.
 - palivo skladujte v nádobách speciálně navržených pro tento účel,
 - palivo doplňujte pouze venku a při této činnosti nekuřte,
 - palivo doplňujte před spuštěním motoru. Jestliže je sekačka spuštěná nebo pokud je motor horký, nikdy nesnímejte víčko palivové nádrže ani nedoplňujte palivo.
 - při rozliti benzínu se nepokoušejte nastartovat motor, ale přesuňte zařízení z místa politého benzínem a před odpařením paliva dejte pozor, abyste nezpůsobili jeho vznícení,
 - pevně zashroubujte víčko nádrže i víčko nádoby s palivem.
- Pokud je vadný tlumič, vyměňte jej.
- Před prací vždy vizuálně zkontrolujte, zda není opotřebený či poškozený sekací nůž, šrouby nože a sekací sestava. Opotřebený či poškozený nůž se šrouby vyměňujte v celé sadě, abyste zachovali vyváženost.

Provoz

- Nespouštějte motor v omezených prostorách, kde se mohou shromažďovat nebezpečné zplodiny oxidu uhelnatého.
- Sekejte pouze za denního světla nebo při dobrém umělém osvětlení.
- Se zařízením nepracujte pokud možno v mokré trávě.
- Při práci ve svahu vždy dávejte pozor, kam šlapete.
- Kráčejte – nikdy neběhejte.
- S kolovými sekačkami pojíždějte při sekání po vrstevnicích svahu, nikdy nahoru a dolů.
- Při změně směru ve svahu buďte mimořádně opatrní.
- Nesekejte v příliš strmých svazích.
- Buďte mimořádně opatrní při otáčení nebo tahání sekačky směrem k sobě.
- Při nutnosti naklonění sekačky kvůli transportu s přejížděním jiných než travnatých ploch a při transportu sekačky na pracoviště a z pracoviště vypněte motor pohánějící nůž (nože).
- Nikdy nepracujte se sekačkou s vadnými kryty nebo se sejmутým bezpečnostním zařízením, například bez krytu vyhazovacího kanálu nebo bez sběracího koše.
- Neměňte nastavení regulátoru motoru a motor nepřetěžujte vysokými otáčkami.
- Před spuštěním motoru vypněte všechny spojky nožů a pohonu.
- Motor startujte opatrně podle pokynů a s nohama v dostatečné vzdálenosti od nože (nožů).
- Při spuštění motoru sekačku nenaklápějte.
- Motor nespouštějte, jestliže stojíte před vyhazovacím kanálem.
- Do blízkosti nebo pod rotující díly nestrkejte ruce ani nohy. Vždy se zdržujte mimo dosah otvoru pro boční výhoz.

- Pokud je motor v chodu, sekačku nikdy nezvedejte a nepřeházejte.
- V následujících situacích vypněte motor, odpojte kabel zapalovací svíčky, ujistěte se, zda se všechny pohyblivé díly zcela zastavily a u modelů vybavených klíčem vyjměte klíč:
 - před uvolňováním zablokování nebo při uvolňování ucpaného vyhazovacího kanálu,
 - před kontrolou, čištěním nebo pracemi na sekačce,
 - po kontaktu s cizorodým předmětem. Sekačku zkontrolujte, zda není poškozená a před opětovným spuštěním a pracovním využitím proveďte případnou opravu,
 - jestliže sekačka začne neobvykle vibrovat (provedte okamžitou kontrolu).
- V následujících situacích vypněte motor, odpojte kabel zapalovací svíčky, ujistěte se, zda se všechny pohyblivé díly zcela zastavily, a u modelů vybavených klíčem vyjměte klíč:
 - kdykoli se od sekačky vzdálíte,
 - před doplňováním paliva.
- Při vypínání motoru uberte plyn a jestliže je motor vybaven uzavíracím ventilem, uzavřete po skončení sekání přívod paliva.

Údržba a skladování

- Všechny matice, šrouby a vruty udržujte dotažené – zajistíte tak bezpečnou provozuschopnost zařízení.
- Zařízení s benzínem v nádrži nikdy neukládejte v budovách, kde se mohou výpary dostat do kontaktu s otevřeným ohněm či jiskrami.
- Při ukládání v uzavřených prostorách nechte nejprve motor vychladnout.
- V rámci omezení nebezpečí vzniku požáru udržujte motor, tlumič, prostor akumulátoru a místo skladování benzínu čisté a beze zbytků trávy, listí či nadbytečného maziva.
- Často kontrolujte sběrací koš, zda není opotřebený či poškozený.
- V rámci zajištění bezpečnosti poškozené díly vyměňte.
- V případě nutnosti vypuštění palivové nádrže pracujte venku.



VAROVÁNÍ: Nedotýkejte se rotujícího nože.



VAROVÁNÍ: Palivo doplňujte v dobře větraném prostoru a s vypnutým motorem.

3. POIS SOUČÁSTÍ (obr. 1, obr. 2, obr. 3, obr. 4)

Další součásti

A: Klíč na zapalovací svíčky

4. TECHNICKÁ DATA

Model	PLM4630	PLM4631	PLM4632	PLM5130
Typ motoru	Řada B&S 675EX, ReadyStart	Řada B&S 675EX, ReadyStart	Řada B&S 750EX, ReadyStart	Řada B&S 750EX, ReadyStart
S pojazdem	Ne	Ano	Ano	Ano
Zdvihový objem motoru	190 cm ³	190 cm ³	161 cm ³	161 cm ³
Délka nože	460 mm	460 mm	460 mm	510 mm
Jmenovité otáčky	2 800/min	2 800/min	2 800/min	2 800/min
Objem palivové nádrže	1,0 l	1,0 l	1,0 l	1,0 l
Objem olejové nádrže	0,6 l	0,6 l	0,6 l	0,6 l
Objem sběracího koše	60 l	60 l	60 l	65 l
Čistá hmotnost	31,5 kg	34 kg	35 kg	38 kg
Výškové nastavení	20–75 mm, 8 poloh	20–75 mm, 8 poloh	20–75 mm, 8 poloh	20–75 mm, 8 poloh

	PLM4630	PLM4631	PLM4632	PLM5130
Zaručená hladina akustického tlaku v místě obsluhy (dle EN ISO 3744, EN ISO 4871)	83,5 dB (A) (K=3 dB (A))	83,5 dB (A) (K=3 dB (A))	83,9 dB (A) (K=3 dB (A))	85,7 dB (A) (K=3 dB (A))
Naměřená hladina akustického výkonu	94,2 dB (A) K=1,95 dB (A)	94,2 dB (A) K=1,95 dB (A)	94,3 dB (A) K=1,80 dB (A)	95,9 dB (A) K=2,16 dB (A)
Zaručená hladina akustického výkonu (dle 2000/14/ES)	96 dB (A)	96 dB (A)	96 dB (A)	98 dB (A)
Vibrace (dle EN ISO 20643)	6,58 m/s ² K=1,5 m/s ²	6,58 m/s ² K=1,5 m/s ²	7,12 m/s ² K=1,5 m/s ²	6,53 m/s ² K=1,5 m/s ²

5. MONTÁŽ

5-1 MONTÁŽ SKLÁPĚČÍHO DRŽADLA

1. Dolní část držadla upevněte pomocí šroubu, podložky a pojistného knoflíku ke konzole držadla (obr. 5).
2. Zvednutím dvou pojistných páček spojte horní a dolní část držadla (obr. 6).
3. Zatlačením na pojistné páčky zajistíte držadla v provozní poloze (obr. 7).
4. Vhodným klíčem upravte pojistnou matici sílu přitlaku (obr. 8).
5. Kabel umístěte k tyči držadla. Přichyťte jej kolem středu dolní části držadla přichytkou kabelu a ujistěte se, zda je uchycen kolem vnější strany držadla (obr. 9, obr. 10). Jinak by mohlo dojít ke skřípnutí kabelu otevřením či zavřením zadního krytu.

5-2 NASTAVENÍ VHODNÉHO ÚHLU

- 1) Odklopením uvolněte pojistnou páčku.
- 2) Natáčením horní části držadla v ozubeném soukolí nastavte vhodný úhel v rozmezí -15° až 15° (3 polohy: -15°/0°/15°) podle obr. 11.
- 3) Zatlačením na pojistné páčky zajistíte spojení dolní a horní části držadel.

5-3 NASAZENÍ A SEJMUTÍ SBĚRACÍHO KOŠE

1. Nasazení: Zvedněte zadní kryt a sběrací koš zahákněte za zadní část sekačky (obr. 12, obr. 13, obr. 14).
2. Sejmutí: Uchopte a zvedněte zadní kryt a pak sběrací koš sejměte.

5-4 RUKOJEŤ STARTÉRU

Rukojeť startéru přesuňte od motoru k vodičku lanka (obr. 15).

5-5 VÝŠKA POKOSU

Zatlačením směrem ven uvolníte páčku ze zářezu. Přesunutím páčky směrem vpřed nebo zpět nastavte výšku (obr. 16 a odstave 7–9).

6. FUNKCE

Tyto sekačky lze podle účelu použití upravit tak, aby kromě své normální funkce plnily i jiné úkoly:

Ze sekačky se zadním výhozem může být:

1. mulčovací sekačka nebo
2. sekačka s bočním výhozem.

Co je mulčování?

Při mulčování se tráva nejprve usekne a pak se po jemném rozsekání vrací na trávník jako přírodní hnojivo.

Rady k mulčovacím sekání:

- Pravidelně sekejte max. 2 cm z trávy vysoké 6 až 4 cm.
- Používejte ostrý sekací nůž.
- Nesekejte mokrou trávu.
- Nastavte max. otáčky motoru.
- Sekejte pouze v tempu chůze.
- Pravidelně čistěte mulčovací klín, vnitřní stranu pláště sekačky a sekací nůž.

Uvedení do provozu

6-1 Úprava na mulčovací sekačku



VAROVÁNÍ: Pracujte pouze s vypnutým motorem a sekacím nožem v nečinnosti.

1. Zvedněte zadní kryt a vyjměte sběrací koš.
2. Mulčovací klín zatlačte do krytu. Mulčovací klín zajistěte tlačítkem v otvoru krytu (**obr. 17, obr. 18**).
3. Zadní kryt spusťte zpět dolů (**obr. 19**).
4. Zvedněte postranní záklopku a vyjměte boční vyhozovací kanál.

6-2 Úprava zpět na sekačku s bočním výhozem



Tuto operaci provádějte pouze se zastaveným motorem i sekacím nožem!

1. Zvedněte zadní kryt a vyjměte sběrací koš.
2. Nasadte mulčovací klín.
3. Zvedněte postranní záklopku pro boční výhoz (**obr. 20**).
4. Na opěrný čep postranní záklopky nasadte boční vyhozovací kanál pro boční výhoz trávy (**obr. 21**).
5. Postranní záklopku spusťte dolů – záklopka leží na bočním vyhozovacím kanálu (**obr. 22**).

6-3 Sekání se sběracím košem



Pracujte pouze s vypnutým motorem a sekacím nožem v nečinnosti.

Chcete-li při sekání trávy použít sběrací koš, vyjměte mulčovací klín, sundejte vyhozovací kanál pro boční výhoz a nasadte sběrací koš.

1. Vyjměte mulčovací klín.
 - Zvedněte zadní kryt a vyjměte mulčovací klín.
2. Demontáž vyhozovacího kanálu pro boční výhoz.
 - Zvedněte postranní záklopku a vyjměte boční vyhozovací kanál.
 - Síla pružiny postranní záklopky otvor pro boční výhoz v plášti automaticky uzavře.
 - Postranní záklopku a otvor pro boční výhoz pravidelně čistěte od zbytků trávy a nečistot.
3. Nasazení sběracího koše.
 - Nasazení: Zvedněte zadní kryt a sběrací koš zahákněte za zadní část sekačky.
 - Sejmутi: Uchopte a zvedněte zadní kryt a pak sběrací koš sejměte.

7. NÁVOD K OBSLUZE

7-1 NEŽ ZAČNETE

Podle pokynů v samostatné příručce k motoru dodané k sekačce naplňte nádrže motoru benzínem a olejem.

Pečlivě si přečtete pokyny (**obr. 23, obr. 24, obr. 25, obr. 26**).



VAROVÁNÍ: Benzín je vysoce hořlavý.

Palivo skladujte v nádobách speciálně navržených pro tento účel.

Benzín doplňujte pouze venku před spuštěním motoru a při doplňování či manipulaci s palivem nekuřte.

Jestliže je sekačka spuštěná nebo pokud je motor horký, nikdy nesnímejte víčko palivové nádrže ani nedoplňujte palivo.


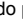
Při rozliti benzínu se nepokoušejte nastartovat motor, ale přesuňte zařízení z místa politého benzínem a před odpařením paliva dejte pozor, abyste nezpůsobili jeho vznícení.

Pevně zašroubujte víčko nádrže i víčko nádoby s palivem. Před sklopením sekačky za účelem údržby nože či vypuštění oleje vyprázdněte palivovou nádrž.



VAROVÁNÍ: Palivovou nádrž nikdy nenaplňujte uvnitř budov, se spuštěným motorem ani před vychladnutím motoru po uplynutí alespoň 15 minut po vypnutí.

7-2 SPUŠTĚNÍ MOTORU A ZAHÁJENÍ SEKÁNÍ

1. Zařízení je vybaveno pryžovou prachovkou přetaženou přes konec zapalovací svíčky. Ujistěte se, zda je kovové očko na konci kabelu zapalovací svíčky (uvnitř pryžové prachovky) pevně nasazeno na kovovém konci zapalovací svíčky.
2. Při startování studeného motoru přepněte páčku plynu do polohy „“. Při startování teplého motoru a za provozu přepněte páčku plynu do polohy „“ (**obr. 27**).
3. Postavte k zadní straně sekačky, uchopte držadlo ovládání brzdy a přitiskněte jej k horní části držadla tak, jak je znázorněno na **obr. 28**.
4. Uchopte rukojeť startéru podle **obr. 28** a rychle za ní zatáhněte. Po nastartování motoru vraťte rukojeť pomalu ke šroubu vodička lanka.

Chcete-li vypnout motor a zastavit nůž, uvolněte držadlo ovládání brzdy.



Motor startujte opatrně podle pokynů a s nohama v dostatečné vzdálenosti od nože.



Při spuštění motoru sekačku nenaklápějte. Sekačku startujte na rovné ploše bez vysoké trávy či překážek.



Nepřibližujte ruce ani nohy k rotujícím dílům. Motor nespouštějte, jestliže stojíte před otvorem vyhozovacího kanálu.

7-3 PRACOVNÍ POSTUPY

Během provozu oběma rukama pevně přidržujte držadlo ovládání brzdy.

Poznámka: Při provozu se po uvolnění držadla ovládání brzdy motor zastaví a sekačka přestane pracovat.

7-4 VYPNUTÍ MOTORU



UPOZORNĚNÍ: Po vypnutí motoru se nůž ještě několik vteřin otáčí.

1. Chcete-li vypnout motor a zastavit nůž, uvolněte držadlo ovládání brzdy (**obr. 29**).
2. Náhodnému spuštění zařízení bez dozoru zamezíte odpojením a uzemněním kabelu zapalovací svíčky tak, jak je uvedeno v samostatném návodu k obsluze motoru.

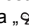

7-5 SPOJKA POJEZDU

Model PLM4631

Přitáhněte držadlo ovládání pojezdu a sekačka se automaticky rozjede vpřed rychlostí zhruba 3,6 km/h (**obr. 30**). Jestliže držadlo ovládání pojezdu pustíte, pojezd sekačky se zastaví.

Modely PLM4632, PLM5130

Sekačka je vybavena systémem nastavování rychlosti se 3 rychlostmi (od 3,0 km/h do 4,5 km/h).

Poloha „“: nejpomalejší nastavení; poloha „“: nejrychlejší nastavení (**obr. 31**).

Postupujte následovně:

1. Uvolněním držadla ovládání pojezdu zastavte pojezd sekačky.
2. Nastavte příslušnou požadovanou rychlost (**obr. 31**).
3. Přitáhnutím držadla ovládání pojezdu uveďte sekačku do pohybu (**obr. 30**).



UPOZORNĚNÍ: Sekačka je navržena k sekání běžných travníků vysokých maximálně 250 mm.

Nepokoušejte se sekat mimořádně vysokou a suchou či mokrou travu (např. pastviny) ani hromady suchého listí. V krytu sekačky se může usazovat drt nebo může dojít ke kontaktu s výfukem motoru, což představuje nebezpečí vzniku požáru.

7-6 JAK DOSÁHNOUT NEJLEPŠÍCH VÝSLEDKŮ PŘI SEKÁNÍ

Vyčistěte trávník. Ujistěte se, zda nejsou v trávě kameny, klacky, dráty či jiné cizorodé předměty, jež by mohly být sekačkou nechtěně odmrštěny jakýmkoli směrem a mohly tak způsobit vážné zranění obsluhy či jiných osob, anebo škody na majetku a okolních objektech. Nesekejte mokrou travu. Při efektivním sekání není vhodné sekat mokrou travu, jež má tendenci ulpívat na vnitřní straně krytu, kde zamezuje správnému sekání kousků trávy. Nesekejte více než 1/3 délky trávy. Doporučujeme sekat 1/3 výšky trávy. Rychlost je třeba přizpůsobit tak, aby se posekaná tráva rovnoměrně rozptýlila po trávníku. Při zvláště náročném sekání husté trávy může být nutné využít co nejpomalejší rychlost, abyste dosáhli čistého a kvalitního výsledku. Při sekání dlouhé trávy bude pravděpodobně třeba sekat trávník ve dvou fázích se spuštěním nože o další 1/3 délky trávy pro druhý stříh a zřejmě i sekání z jiného směru než v předchozí fázi. Důkladnému vysekání celé plochy trávníku rovněž napomůžete mírným překrytím pásů při každém průchodu. Sekačku je třeba používat vždy s plným plynem, čímž dosáhnete nejlepšího stříhu a docílíte maximální efektivity sekání. Vyčistěte spodní stranu krytu.

Po každém použití zabezpečte vyčištění spodní strany krytu sekačky, abyste zamezili hromadění trávy, jež by bránila správnému mulčování. Sekání listí. Pro trávník může být prospěšné i sekání listí. Při sekání listí se ujistěte, zda je listí suché a zda na trávníku neleží v příliš silné vrstvě. Se sekáním nečekejte, až ze stromů opadá všechno listí.



VAROVÁNÍ: Jestliže narazíte na cizorodý předmět, vypněte motor. Odpojte kabel od zapalovací svíčky, sekačku důkladně prohlédněte, zda nedošlo k jejímu poškození a před opětovným spuštěním a uvedením do provozu ji nechte opravit. Přílišné vibrace sekačky za provozu jsou známkou poškození. Zařízení je třeba neprodleně prohlédnout a opravit.

7-7 SBĚRACÍ KOŠ

Na horní straně sběračního koše je umístěn indikátor zaplnění, jenž naznačuje, zda je sběrací koš prázdný či plný (**obr. 32, obr. 33**):

- Jestliže sběrací koš není plný, indikátor zaplnění se při sekání naoukne (**obr. 33**).
- Při naplnění koše indikátor splaskne – jestliže k tomu dojde, přestaňte ihned sekat, sběrací koš vyprázdněte, ujistěte se, zda je čistý a zda je síťovina prodyšná (**obr. 32**).

DŮLEŽITÉ

Jestliže je umístění otvoru indikátoru silně znečištěné, indikátor se nenafoukne – takovém případě umístění otvoru indikátoru ihned vyčistěte.

7-8 KRYT

Spodní stranu krytu sekačky je třeba po každém použití vyčistit, aby se zamezilo hromadění kousků trávy, listí, nečistot atd. Nahromaděná drt vyvolává korozi, narušuje povrch a může zamezit správnému mulčování. Kryt lze očistit nakloněním sekačky a oškrábáním nečistot vhodným nástrojem (ujistěte se, zda je odpojen kabel zapalovací svíčky).

7-9 POKYNY K NASTAVENÍ VÝŠKY



UPOZORNĚNÍ: Nikdy neprovádějte žádné nastavování sekačky bez předchozího vypnutí motoru a odpojení kabelu zapalovací svíčky.



UPOZORNĚNÍ: Před změnou výšky pokosu vypněte sekačku a odpojte kabel zapalovací svíčky.

Sekačka je vybavena páčkou centrálního nastavení výšky, jež nabízí celkem 8 výškových poloh.

Výšku (nože od země) lze nastavit v rozmezí od 20 do 75 mm (8 výškových poloh) (**obr. 34**).

Nejnižší poloha: 20 mm (poloha 1), nejvyšší poloha: 75 mm (poloha 8).

1. Před změnou výšky pokosu vypněte sekačku a odpojte kabel zapalovací svíčky.
2. Páčka centrálního nastavení výšky nabízí 8 různých výškových poloh (**obr. 34**).

Jestliže chcete výšku pokosu změnit, stlačte nastavovací páčku směrem ke kolu a přesuňte ji nahoru nebo dolů do požadované výšky.

8. POKYNY K ÚDRŽBĚ

ZAPALOVACÍ SVÍČKA

Používejte pouze originální náhradní zapalovací svíčky. K dosažení nejlepších výsledků vyměňte zapalovací svíčku po každých 100 hodinách práce.

9. POKYNY K MAZÁNÍ



UPOZORNĚNÍ: PŘED PROVÁDĚNÍM ÚDRŽBY ODPOJTE ZAPALOVACÍ SVÍČKU.

1. KOLA – nejméně jednou za sezónu namažte olejem kuličková ložiska v každém kole.
2. MOTOR – pokyny k mazání naleznete v příručce k motoru.

10. ČIŠTĚNÍ



UPOZORNĚNÍ: Na motor nestříkejte hadicí.

Voda může poškodit motor nebo znečistit palivový systém.

1. Kryt otřete suchou tkaninou.
2. Hadicí můžete opláchnout spodní kryt po naklonění sekačky tak, aby byla zapalovací svíčka nahoře.

10-1 VZDUCHOVÝ FILTR MOTORU



UPOZORNĚNÍ: Nedovolte, aby se pěnová vložka vzduchového filtru ucpala nečistotami či prachem.

Vzduchový filtr motoru je třeba vyčistit po 25 hodinách běžného provozu. Pokud sekačku používáte v suchých a prašných podmínkách, je třeba pěnovou vložku pravidelně čistit.

ČIŠTĚNÍ VZDUCHOVÉHO FILTRU

1. Vyměňte šroub (**obr. 35** pro modely PLM4632 a PLM5130)
2. Sejměte pojistný knoflík. (**obr. 36** pro modely PLM4630 a PLM4631).
3. Sejměte kryt filtru.
4. Filtrační vložku vyperte v mýdlové vodě.
NEPOUŽÍVEJTE BENZÍN!
5. Filtrační vložku vysušte.
6. Na pěnový filtr kápněte několik kapek oleje SAE30 a pevným stisknutím odstraňte všechny přebytečný olej.
7. Filtr namontujte zpět.

POZNÁMKA: Filtr vyměňte, pokud je prodřený, opotřebený, poškozený nebo pokud jej nelze vyčistit

10-2 SEKACÍ NŮŽ



UPOZORNĚNÍ: Před prováděním prací na sekacím noži se ujistěte, zda jste odpojili a uzemnili zapalovací svíčku, abyste zamezili náhodnému spuštění motoru. Při kontaktu se sekacím nožem si chraňte ruce silnými rukavicemi nebo použijte hadr. Sekačku nakloňte

podle pokynů v samostatné příručce k motoru.

Odmontujte šroub se šestihlannou hlavou a podložku přidržující nůž s adaptérem nože na hřídeli motoru. Z hřídele sejměte nůž a adaptér.



VAROVÁNÍ: Adaptér nože pravidelně kontrolujte, zda nemá praskliny – zvláště pokud narazíte na cizorodý předmět. V případě nutnosti jej vyměňte.

K dosažení nejlepších výsledků je zapotřebí ostrého nože. Nůž můžete po vyjmutí naostřit broušením či opilováním ostří s co nejjednodušším zachováním původního zkošení. Při broušení je mimořádně důležité odebrat z každého ostří stejné množství materiálu, abyste uchovali vyváženost nože. Nesprávné vyvážení nůž bude příliš vibrovat a může případně poškodit motor i sekačku. Po naostření zajistěte pečlivé vyvážení nože. Vyváženost nože můžete zkontrolovat nasazením na kulatý dřík šroubováku. Z těžší strany odeberte materiál, až docílíte rovnoměrného vyvážení (**obr. 37**).

Před namontováním nože s příslušným adaptérem zpět do jednotky namažte hřídel motoru a vnitřní plochu adaptéru nože olejem. Na hřídel namontujte adaptér nože, viz **obr. 37**. Nůž umístěte číslem dílu směrem od adaptéru. Na noži vyrovnejte podložku a namontujte šroub se šestihlannou hlavou. Šroub se šestihlannou hlavou dotáhněte níže uvedeným momentem.

10-3 UTAHOVACÍ MOMENT PŘI MONTÁŽI NŮŽE

Středový šroub 40 Nm – 50 Nm, k zajištění bezpečného provozu zařízení. Správné dotažení všech matic a šroubů musí být pravidelně kontrolováno.

Po dlouhodobějším používání, zvláště v podmínkách s prašnou půdou, dojde k opotřebením nože a určité ztrátě původního tvaru. Omezí se efektivita sekání a nůž bude třeba vyměnit. Nůž nahradte pouze schváleným továrním výrobkem. Výrobce nenese odpovědnost za možné škody způsobené nevyvážeností nože.

Při výměně je nutné použít originální díl s označením na noži (MAKITA 263001451 pro modely PLM4630/PLM4631/PLM4632, MAKITA 263002552 pro model PLM5130). Pokud si chcete nůž objednat, obraťte se na místního prodejce nebo zavolejte do naší společnosti (viz titulní stránka).

10-4 MOTOR

Pokyny k údržbě motoru naleznete v samostatné příručce k motoru.

Výměnu motorového oleje provádějte podle pokynů v samostatné příručce k motoru dodané k sekačce. Pokyny si přečtěte a pečlivě podle nich postupujte.

Za normálních podmínek čistěte vzduchový filtr podle pokynů v samostatné příručce k motoru.

V mimořádně prašných podmínkách čistěte filtr vždy po několika hodinách. Slabý výkon a přesycování motoru obvykle naznačují nutnost provedení údržby vzduchového filtru.

Při čištění vzduchového filtru nahlédněte do samostatné příručky k motoru přibalené k sekačce.

Jednou za sezónu je třeba vyčistit zapalovací svíčku a seřídít mezeru mezi elektrodami. Na začátku sezóny doporučujeme provést výměnu zapalovací svíčky.

Informace o správném typu svíčky a vzdálenosti elektrod naleznete v příručce k motoru.

Motor pravidelně čistěte tkaninou nebo kartáčem.

Chladič systém (oblast pláště ventilátoru) udržujte v čistotě, abyste zajistili správnou cirkulaci vzduchu, jež je nezbytná ke správnému výkonu a dlouhé životnosti motoru. Z oblasti tlumiče odstraňte všechnu trávu, nečistoty a hořlavou drť.

11. POKYNY KE SKLADOVÁNÍ (MIMO SEZÓNU)

V rámci přípravy sekačky ke skladování je zapotřebí provést následující kroky.

1. Po posledním sekání v sezóně vyprázdněte nádrž.
 - a) Pumpičkou odsajte benzín z nádrže.



UPOZORNĚNÍ: Benzín nevypouštějte v uzavřených prostorách, v blízkosti otevřeného ohně atd. Nekuřte! Benzínové výpary mohou způsobit výbuch či požár.

- b) Spusťte motor a nechte jej běžet, dokud nespotřebuje všechny zbyvajících benzín a nezastaví se.
 - c) Vyšroubujte zapalovací svíčku. Do spalovací komory nalijte olejnicou přibližně 20 ml oleje. Zatažením za startér zajistíte rovnoměrné promazání spalovací komory. Zašroubujte zpět zapalovací svíčku.
2. Sekačku pečlivě očistěte a promažte podle popisu v části „POKYNY K MAZÁNÍ“.
 3. K zamezení vzniku koroze ošetřete tenkou vrstvou maziva i sekací nůž.
 4. Sekačku uskladněte mimo dosah neoprávněných osob na suchém a čistém místě chráněném před mrazem.



UPOZORNĚNÍ: Před uskladněním sekačky musí motor zcela vychladnout.



POZNÁMKA:

- Při skladování jakéhokoli typu motorového zařízení v nedostatečně větraných skladovacích prostorech postupujte následovně:
- Věnujte péči ochraně zařízení proti korozi. Zařízení namažte olejem či silikonem – zvláště pak lanka a pohyblivé díly.
- Dejte pozor, abyste lanka nezohýbali a nezkroutili.
- Jestliže se lanko startéru vyvlékne z vodička lanka na držadle, odpojte a uzemněte zapalovací svíčku, přitáhněte držadlo ovládání nože a pomalu zatáhněte za startovací lanko směrem od motoru. Startovací lanko provlečte ke šroubu vodička lanka na držadle.

Transport

Vypněte motor. Dejte pozor, abyste při tlačení sekačky přes překážky neohnuli či jinak nepoškodili sekací nůž.

12. ODSTRAŇOVÁNÍ PROBLÉMŮ

PROBLÉM	PRAVDĚPODOBNÁ PŘÍČINA	NÁPRAVA
Motor nestartuje.	Páčka plynu není vzhledem k aktuálním podmínkám ve správné poloze.	Páčku plynu přesuňte do správné polohy.
	Palivová nádrž je prázdná.	Naplňte nádrž palivem: viz PŘÍRUČKA K MOTORU.
	Znečištěná vložka vzduchového filtru.	Vyčistěte vložku vzduchového filtru: viz PŘÍRUČKA K MOTORU.
	Povolená zapalovací svíčka.	Zapalovací svíčku dotáhněte momentem 25–30 Nm.
	Kabel zapalovací svíčky je uvolněný nebo odpojený od svíčky.	Na svíčku nasadte kabel zapalovací svíčky.
	Nesprávná vzdálenost elektrod zapalovací svíčky.	Nastavte vzdálenost elektrod na 0,7 až 0,8 mm.
	Vadná zapalovací svíčka.	Namontujte novou svíčku se správně nastavenou vzdáleností elektrod: viz PŘÍRUČKA K MOTORU.
	Karburátor je přesycený palivem.	Vyjměte vložku vzduchového filtru, taháním za lanko startéru vyprázdněte karburátor a vložku filtru nasadte zpět.
	Závada modulu zapalování.	Obraťte se na zástupce servisu.
Startování motoru je obtíženo nebo motor ztrácí výkon.	Nečistota, voda nebo zvětralé palivo v nádrži.	Vypusťte palivo a vyčistěte nádrž. Nádrž naplňte čistým a čerstvým palivem.
	Ucpané ventilační otvor ve víčku palivové nádrže.	Otvor vyčistěte nebo vyměňte víčko palivové nádrže.
	Znečištěná vložka vzduchového filtru.	Vyčistěte vložku vzduchového filtru.
Motor pracuje nepravidelně.	Vadná zapalovací svíčka.	Namontujte novou svíčku se správně nastavenou vzdáleností elektrod: viz PŘÍRUČKA K MOTORU.
	Nesprávná vzdálenost elektrod zapalovací svíčky.	Nastavte vzdálenost elektrod na 0,7 až 0,8 mm.
	Znečištěná vložka vzduchového filtru.	Vyčistěte vložku vzduchového filtru: viz PŘÍRUČKA K MOTORU.
Chybný volnoběh motoru.	Znečištěná vložka vzduchového filtru.	Vyčistěte vložku vzduchového filtru: viz PŘÍRUČKA K MOTORU.
	Ucpané vzduchové štěrbin v krytu motoru.	Štěrbiny vyčistěte od nečistot.
	Ucpané chladicí žebra a vzduchové kanálky pod pláštěm ventilátoru motoru.	Odstraňte nečistoty z chladicích žebek a vzduchových kanálků.
Motor ve vysokých otáčkách vynechává.	Příliš malá mezera mezi elektrodami zapalovací svíčky.	Nastavte vzdálenost elektrod na 0,7 až 0,8 mm.
Motor se přehřívá.	Omezený průtok chladicího vzduchu.	Odstraňte veškeré nečistoty ze štěrbin v krytu, pláště ventilátoru a vzduchových kanálků.
	Nesprávná zapalovací svíčka.	Modely PLM4630/PLM4631: Do motoru namontujte zapalovací svíčku RJ19LMC a chladicí žebra. Modely PLM4632/PLM5130: Do motoru namontujte zapalovací svíčku QC12YC a chladicí žebra.
Sekačka nezvykle vibruje.	Uvolněná sekací sestava.	Dotáhněte nůž.
	Nevyvážená sekací sestava.	Vyvažte nůž.

13. OCHRANA ŽIVOTNÍHO PROSTŘEDÍ

Bude-li nutno zařízení po delším používání vyměnit, nevyhazujte jej do domovního odpadu, ale zajistěte jeho bezpečnou ekologickou likvidaci.

Pouze pro evropské země

ES prohlášení o shodě

Společnost Makita Corporation jako odpovědný výrobce prohlašuje, že níže uvedené zařízení Makita:

Popis zařízení: Benzínová sekačka na trávu

Č. modelu/typ: PLM4630, PLM4631, PLM4632, PLM5130

Technické údaje: viz „4. TECHNICKÁ DATA“ vychází ze sériové výroby

a vyhovuje následujícím evropským směrnicím:

2004/108/ES, 2006/42/ES,

2000/14/ES a 2005/88/ES

a bylo vyrobeno v souladu s následujícími normami či normativními dokumenty:

EN 836, EN ISO 14982

Technická dokumentace je k dispozici na adrese:

Makita International Europe Ltd.,

Technical Department,

Michigan Drive, Tongwell,

Milton Keynes, Bucks MK15 8JD, England

Postup posuzování shody vyžadovaný směrnicí 2000/14/ES byl v souladu s přílohou VI.

Notifikovaná organizace:

TÜV SÜD Industrie Service GmbH

Westendstraße 199, D-80686 München

Identifikační číslo: 0036

Model: PLM4630, PLM4631

Naměřená hladina akustického výkonu: 94,2 dB (A)

Zaručená hladina akustického výkonu: 96 dB (A)

Model: PLM4632

Naměřená hladina akustického výkonu: 94,3 dB (A)

Zaručená hladina akustického výkonu: 96 dB (A)

Model: PLM5130

Naměřená hladina akustického výkonu: 95,9 dB (A)

Zaručená hladina akustického výkonu: 98 dB (A)

30. 11. 2012



Tomoyasu Kato

Ředitel

Makita Corporation

3-11-8, Sumiyoshi-cho,

Anjo, Aichi, 446-8502, JAPAN

Explicația vederii generale

- | | | |
|---|--|-------------------------------------|
| 1. Manetă de comandă frână | 11. Canal de descărcare laterală | 21. Indicator de nivel |
| 2. Mâner superior | 12. Clapetă laterală | 22. Șurub |
| 3. Mâner de comandă pentru acționare automată | 13. Punte | 23. Șaibă |
| 4. Manetă de șoc | 14. Bujie | 24. Bolț de blocare |
| 5. Manetă de pornire | 15. Capac ulei | 25. Contrapiuliță |
| 6. Ghidaj de cablu | 16. Capac ștuț de umplere cu combustibil | 26. Mecanism de reglare a unghiului |
| 7. Pârghie de blocare | 17. Clemă de cablu | 27. Buton |
| 8. Mâner inferior | 18. Inel de fixare cablu | 28. Capac/tijă de nivel de ulei |
| 9. Separator de iarbă | 19. Manetă de reglare viteză | 29. Max: limită superioară |
| 10. Manetă de reglare înălțime | 20. Pană de mulcire | 30. Min: limită inferioară |
| | | 31. Șurub |



AVERTISMENT:

Pentru siguranța dumneavoastră, vă rugăm să citiți acest manual înainte de a încerca să utilizați noua dumneavoastră unitate. Nerespectarea instrucțiunilor poate duce la accidentări grave. Familiarizați-vă cu mașina de tuns iarba înainte de fiecare utilizare.



La efectuarea reparațiilor, vă rugăm scoateți bujiile și apoi să reparați în conformitate cu manualul operatorului.



Atenție: Motor fierbinte.

1. SIMBOLURI MARCATE PE PRODUS



Citiți manualul operatorului.



Instruiți persoanele aflate în zonă să păstreze distanța.



Acordați atenție maximă mâinilor și picioarelor, pentru a evita răniurile.



Combustibilul este inflamabil, a se feri de sursele de căldură. Nu adăugați combustibil în timpul operării mașinii.



Fumuri toxice; nu operați în interior.



La tunderea ierbii, vă rugăm purtați ochelari de protecție și astupătoare de urechi pentru a vă proteja.

2. REGULI GENERALE DE SIGURANȚĂ



AVERTISMENT: Când folosiți mașini pe bază de benzină, trebuie respectate măsurile fundamentale de protecție, inclusiv cele prezentate în continuare, pentru a reduce riscul accidentărilor grave și/sau defectării mașinii. Citiți toate aceste instrucțiuni înainte de operarea acestui produs și păstrați-le pentru referințe viitoare.



AVERTISMENT: Această mașină produce un câmp electromagnetic în timpul operării. În anumite condiții, acest câmp poate intra în interferență cu implanturi medicale active sau pasive. Pentru a reduce riscul accidentelor grave sau fatale, recomandăm ca persoanele cu implanturi medicale să consulte medicul și producătorul implantului medical înainte a opera această mașină.

Instruirea

- Citiți cu atenție instrucțiunile. Familiarizați-vă cu comenzile și cu utilizarea corectă a echipamentului.
- Nu permiteți niciodată copiilor sau persoanelor care sunt nefamiliarizate cu aceste instrucțiuni să utilizeze mașina de tuns iarba. Reglementările locale pot restricționa vârsta operatorului.
- Nu folosiți mașina când în apropiere se află copii sau animale de companie.
- Amintiți-vă că utilizatorul este responsabil de accidente sau situațiile neprevăzute antrenate de utilizarea mașinii, cauzate altor persoane sau bunurilor acestora.

Pregătirea

- În timpul folosirii mașinii, purtați întotdeauna o încălțăminte corespunzătoare (solidă) și pantaloni lungi. Nu folosiți mașina cu picioarele goale sau cu sandale.
- Verificați cu atenție zona în care va fi operată mașina și îndepărtați toate obiectele care pot fi expulzate de mașină.
- AVERTISMENT- Benzina este extrem de inflamabilă.
 - depozitați combustibilul în containere special concepute în acest scop;
 - efectuați reumplerea cu combustibil doar în exterior și nu fumați în timpul reumplerii;
 - adăugați combustibil înaintea de pornirea motorului. Nu scoateți niciodată capacul rezervorului de combustibil și nu adăugați benzină în timp ce motorul este pornit sau este cald;
 - dacă benzina este vărsată, nu încercați să porniți motorul și mutați mașina la distanță de zona respectivă, evitând crearea oricăror surse de aprindere până când vaporii de benzină s-au disipat;
 - remontați în mod corect toate capacele containerelor și rezervorului de combustibil.
- Înlocuiți amortizoarele defecte.
- Înainte de utilizare, inspectați întotdeauna vizual pentru a verifica dacă lamele, șuruburile de lamă sau ansamblul de cuțite nu sunt uzate sau deteriorate. Înlocuiți toate lamele și șuruburile deteriorate sau uzate pentru a menține echilibrarea mașinii.

Operare

- Nu operați motorul într-un spațiu închis în care pot fi colectate fumuri periculoase de oxid de carbon.
- Operați mașina doar la lumina zilei sau la o lumină artificială puternică.
- Evitați operarea echipamentului pe iarbă udă, dacă acest lucru este posibil.
- Acordați atenție atunci când vă deplasați pe suprafețe înclinate.
- Nu alergați.
- Pentru mașini rotative cu roți, tundeți iarbă de-a lungul pantei, niciodată în sus sau în jos.
- Acordați atenție maximă atunci când schimbați direcția pe suprafețele înclinate.
- Nu tundeți iarbă pe o pantă excesiv de abruptă.
- Acordați o atenție maximă atunci când întoarceți sau trageți mașina de tuns iarbă spre dumneavoastră.
- Fixați bine lama(ele) dacă mașina de tuns iarbă trebuie înclinată pentru transport, atunci când treceți cu mașina de tuns iarbă peste suprafețe fără iarbă, sau atunci când transportați mașina de tuns iarbă la sau de la locul de tuns iarbă.
- Nu operați niciodată mașina de tuns iarbă cu protecțiile defecte, sau fără dispozitivele de siguranță, cum ar fi deflectoarele și/sau separatorul de iarbă.
- Nu modificați setările regulatorului de motor și nu supraturăți motorul.
- Decuplați toate lamele și ambreiajele de acționare înainte de a porni motorul.
- Porniți motorul cu atenție conform instrucțiunilor, cu picioarele la distanță de lamă(e).
- Nu înclinați mașina de tuns iarbă la pornirea motorului.

- Nu porniți motorul când vă aflați în fața jghebului de descărcare.
- Nu apropiați mâinile sau picioarele de componentele rotative. Păstrați permanent distanța față de orificiul de descărcare.
- Nu ridicați și nu transportați mașina de tuns iarbă cu motorul în funcțiune.
- Opriti motorul și deconectați conductorul bujiei, asigurați-vă că toate componentele mobile s-au oprit complet și, dacă este prevăzută o cheie, scoateți cheia:
 - înainte de a elimina blocajele sau a desfunda jghebul;
 - înainte de a controla, curăța sau lucra cu mașina de tuns iarbă;
 - după ce ați lovit un obiect străin. Verificați eventualele daune și efectuați reparațiile necesare, înainte de a repune în funcțiune și opera mașina de tuns iarbă;
 - dacă mașina de tuns iarbă începe să vibreze în mod anormal (verificați imediat).
- Opriti motorul și deconectați conductorul bujiei, asigurați-vă că toate componentele mobile s-au oprit complet și, dacă este prevăzută o cheie, scoateți cheia:
 - de fiecare dată când o lăsați nesupravegheată;
 - înainte de realimentări.
- Reduceți setarea de accelerație în timpul opririi motorului și, dacă motorul este prevăzut cu o supapă de închidere, opriți alimentarea cu combustibil la finalizarea operațiunii de tundere a ierbei.

Întreținerea și depozitarea

- Mențineți șuruburile strânse, ca și piulițele, pentru a fi siguri că mașina este în condiții bune de funcționare.
- Nu depozitați niciodată echipamentul cu benzină în rezervor în clădiri în care fumul pot ajunge la o scânteie sau flacără deschisă.
- Permiteți răcirea motorului înaintea depozitării într-o încălțăminte închisă.
- Pentru a reduce pericolul de incendii, ferii motorul, amortizorul, compartimentul bateriei și zona de depozitare a benzinei de reziduuri, frunze sau unsoare excesivă.
- Controlați frecvent ca separatorul de iarbă să nu fie deteriorat sau uzat.
- Pentru siguranță, înlocuiți componentele defecte sau uzate.
- Dacă rezervorul de combustibil trebuie golit, acest lucru trebuie efectuat în exterior.



AVERTISMENT: Nu atingeți lama rotativă.



AVERTISMENT: Realimentați într-o zonă bine aerisită, cu motorul oprit.

3. DESCRIEREA COMPONENTELOR (Fig. 1, Fig. 2, Fig. 3, Fig. 4)

Include

A: Cheie pentru bujie

4. DATE TEHNICE

Model	PLM4630	PLM4631	PLM4632	PLM5130
Tip motor	Seria B&S 675EX, ReadyStart	Seria B&S 675EX, ReadyStart	Seria B&S 750EX, ReadyStart	Seria B&S 750EX, ReadyStart
Autopropulsat	Nu	Da	Da	Da
Capacitate cilindrică motor	190 cm ³	190 cm ³	161 cm ³	161 cm ³
Lăţimea pânzei	460 mm	460 mm	460 mm	510 mm
Turaţie nominală	2.800/min	2.800/min	2.800/min	2.800/min
Capacitate rezervor carburant	1,0 L	1,0 L	1,0 L	1,0 L
Capacitate rezervor ulei	0,6 L	0,6 L	0,6 L	0,6 L
Capacitate separator de iarbă	60 L	60 L	60 L	65 L
Greutate netă	31,5 kg	34 kg	35 kg	38 kg
Reglare înălţime	20-75 mm, 8 reglaje	20-75 mm, 8 reglaje	20-75 mm, 8 reglaje	20-75 mm, 8 reglaje

	PLM4630	PLM4631	PLM4632	PLM5130
Nivel garantat de presiune acustică la poziţia operatorului (Conform EN ISO 3744, EN ISO 4871)	83,5 dB (A) (K=3 dB (A))	83,5 dB (A) (K=3 dB (A))	83,9 dB (A) (K=3 dB (A))	85,7 dB (A) (K=3 dB (A))
Nivel de putere acustică măsurată	94,2 dB (A) K=1,95 dB (A)	94,2 dB (A) K=1,95 dB (A)	94,3 dB (A) K=1,80 dB (A)	95,9 dB (A) K=2,16 dB (A)
Nivel de putere acustică garantată (Conform 2000/14/CE)	96 dB (A)	96 dB (A)	96 dB (A)	98 dB (A)
Vibraţii (Conform EN ISO 20643)	6,58 m/s ² K=1,5 m/s ²	6,58 m/s ² K=1,5 m/s ²	7,12 m/s ² K=1,5 m/s ²	6,53 m/s ² K=1,5 m/s ²

5. ASAMBLARE

5-1 ASAMBLAŢI MÂNERUL PLIABIL

1. Fixaţi bara de manevrare inferioară pe suportul mânerului cu şurubul, şaiba şi bolţul de blocare, în modul indicat. (Fig. 5)
2. Ridicaţi cele două pârghii de blocare pentru a conecta mânerul superior şi inferior. (Fig. 6)
3. Închideţi pârghia de blocare pentru a bloca barele de manevrare în poziţia de operare. (Fig. 7)
4. Reglaţi tensiunea prin rotirea contrapiuliţei cu o cheie adecvată. (Fig. 8)
5. Poziţionaţi cablul peste axul mânerului. Prindeţi cablul în jurul mijlocului mânerului inferior cu ajutorul clemei de cablu, astfel încât cablul să fie fixat în jurul exteriorului mânerului. (Fig. 9, Fig. 10) În caz contrar, cablul poate fi prins în deschiderea/închiderea capacului posterior.

5-2 REGLARE PENTRU UN UNGHII CORESPUNZĂTOR

- 1) Trageţi de pârghia de blocare pentru deschidere.
- 2) Rotiţi mânerul superior centrat al mecanismului de reglare a unghiului pentru ajustare la un unghi corespunzător cuprins între -15° şi 15° (3 poziţii: -15°/0°/15°) conform Fig. 11.
- 3) Apăsaţi pârghia de blocare pentru închidere, pentru a conecta mânerul inferior şi mânerul superior.

5-3 MONTAREA ŞI DEMONTAREA SEPARATORULUI DE IARBĂ

1. Pentru montare: Ridicaţi capacul posterior şi cuplaţi separatorul de iarbă în partea din spate a maşinii. (Fig. 12, Fig. 13, Fig. 14)
2. Pentru demontare: Prindeţi şi ridicaţi capacul posterior, scoateţi separatorul de iarbă.

5-4 MANETĂ DE PORNIRE

Mutaţi maneta de pornire de la motor spre ghidajul de cablu. (Fig. 15)

5-5 ÎNĂLŢIME DE TĂIERE

Aplicaţi o presiune externă pentru a decupla maneta de la rack. Mutaţi maneta înainte sau înapoi pentru a regla înălţimea. (Fig. 16 şi consultaţi clauza 7-9)

6. FUNCŢIE

Aceste maşini de tuns iarba pot fi adaptate pentru alte funcţii pe lângă funcţia lor normală, pe baza scopului de aplicare:

De la maşină de tuns iarba cu colectare în partea din spate la:

1. Maşină de tuns iarba pentru mulcire sau ca
2. Maşină de tuns iarba cu descărcare laterală.

Ce înseamnă mulcire?

La mulcire, iarba este tăiată într-o etapă de lucru, apoi este mărunţită şi returnată pe gazonul de iarbă ca fertilizator natural.

Indicaţii pentru mulcire:

- Retezare normală la max. 2 cm, de la o înălțime a ierbii de 6 cm la 4 cm.
- Utilizați un cuțit de tăiere ascuțit.
- Nu tundeți iarbă udă.
- Setați turația maximă a motorului.
- Deplasați-vă doar în spațiul de lucru.
- Curățați în mod regulat pana de mulcire, partea interioară a carcasei și lama de tăiere.

Operație de pornire

6-1 Adaptare pentru mașină de tuns iarba pentru mulcire



AVERTISMENT: Doar cu motorul oprit și cuțitul staționar.

1. Ridicați capacul posterior și scoateți separatorul de iarbă.
2. Apăsați pana de mulcire în punte. Blocați pana de mulcire cu butonul în deschiderea punții. (Fig. 17, Fig. 18)
3. Coborâți din nou capacul posterior. (Fig. 19)
4. Ridicați clapeta laterală și scoateți canalul de descărcare laterală.

6-2 Resetare pentru tunderea ierbii cu descărcare laterală



Doar când motorul și cuțitul sunt staționare!

1. Ridicați capacul posterior și scoateți separatorul de iarbă.
2. Montați pana de mulcire.
3. Ridicați clapeta laterală pentru descărcarea laterală. (Fig. 20)
4. Montați canalul de descărcare laterală pentru descărcare laterală pe știftul de susținere al clapetei laterale. (Fig. 21)
5. Coborâți clapeta laterală - clapeta se poziționează pe canalul de descărcare laterală. (Fig. 22)

6-3 Tunderea ierbii cu separator de iarbă



Doar cu motorul oprit și cuțitul staționar.

Pentru tunderea ierbii cu separatorul de iarbă, demontați pana de mulcire și canalul de descărcare pentru descărcare laterală și montați separatorul de iarbă.

1. Demontarea penei de mulcire.
 - Ridicați capacul posterior și demontați pana de mulcire.
2. Demontarea canalului de descărcare laterală pentru descărcare laterală.
 - Ridicați clapeta laterală și scoateți canalul de descărcare laterală.
 - Clapeta laterală închide automat deschiderea de descărcare de pe carcasă prin intermediul forței unui arc.
 - Curățați regulat clapeta laterală și deschiderea de descărcare de resturile de iarbă și reziduurile blocate.
3. Montați separatorul de iarbă.

- Pentru montare: Ridicați capacul posterior și cuplați separatorul de iarbă în partea din spate a mașinii.
- Pentru demontare: Prindeți și ridicați capacul posterior, scoateți separatorul de iarbă.

7. INSTRUCȚIUNI DE UTILIZARE

7-1 ÎNAINTEA PORNIRII

Efectuați întreținerea motorului cu benzină și ulei conform instrucțiunilor din manualul de motor separat furnizat cu mașina dumneavoastră de tuns iarba. Citiți cu atenție instrucțiunile. (Fig. 23, Fig. 24, Fig. 25, Fig. 26)



AVERTISMENT: Benzina este extrem de inflamabilă.

Depozitați combustibilul în recipiente special destinate acestui scop.

Realimentați doar în exterior, înainte de a porni motorul și nu fumați în timpul realimentării sau manipulării combustibilului.

Nu scoateți niciodată capacul rezervorului de combustibil și nu adăugați benzină în timp ce motorul este pornit sau este cald.

Dacă benzina se varsă, nu încercați să porniți motorul, ci îndepărtați mașina de zona în care a avut loc curgerea și evitați crearea oricărei surse de aprindere până la disiparea vaporilor de benzină.

Remontați corect toate capacele de recipiente, precum și capacul rezervorului de combustibil.

Înainte de a înclina mașina de tuns iarba pentru întreținerea lamei sau evacuarea uleiului, eliminați combustibilul din rezervor.



AVERTISMENT: Nu alimentați niciodată cu combustibil în interior, cu motorul pornit sau fără a lăsa motorul să se răcească timp de cel puțin 15 minute după operare.

7-2 PENTRU A PORNII MOTORUL ȘI A CUPLA LAMA

1. Unitatea este prevăzută cu un manșon din cauciuc peste capătul bujeii, asigurați-vă că bucla metalică de pe capătul conductorului bujeii (din interiorul manșonului din cauciuc) este fixată ferm peste vârful de metal al bujeii.
2. Când porniți motorul rece, rotiți maneta de șoc la poziția "☁".
Când porniți motorul cald și în timpul operării, comutați maneta de șoc a accelerației la poziția "☁". (Fig. 27)
3. Stând în spatele mașinii, apucați maneta de comandă frână și mențineți poziția acesteia pe mânerul superior, conform Fig. 28.
4. Apucați maneta de pornire în modul indicat Fig. 28 și trageți rapid în sus. Reduceți-l ușor pe bolțul ghidajului de cablu după pornirea motorului.

Eliberați maneta de comandă frână pentru a opri motorul și lama.



Porniți motorul cu atenție conform instrucțiunilor, cu picioarele la distanță de lamă.



Nu înclinați mașina de tuns iarba la pornirea motorului. Porniți mașina de tuns iarba pe o suprafață plană, fără iarbă înaltă sau obstacole.



Țineți mâinile și picioarele la distanță de componentele care se roteesc. Nu porniți motorul când vă aflați în fața orificiului de descărcare.

7-3 PROCEDURI DE UTILIZARE

În timpul operării, țineți strâns maneta de frână cu ambele mâini.

Notă: În timpul operării, când maneta de frână este eliberată, motorul se va opri, oprindu-se astfel și operarea mașinii de tuns iarba.

7-4 PENTRU A OPRI MOTORUL



ATENȚIE: Lama continuă să se rotească timp de câteva secunde după oprirea motorului.

1. Eliberați maneta de comandă frână pentru a opri motorul și lama. (Fig. 29)
2. Deconectați și legați la masă conductorul bujiei conform instrucțiunilor din manualul separat al motorului pentru a preveni pornirea accidentală în timp ce motorul este nesupraveheat.

7-5 CONEXIUNE PENTRU MIȘCARE AUTOMATĂ

Pentru PLM4631

Prindeți mânerul de comandă pentru acționare automată, mașina de tuns iarba se va deplasa automat înainte cu aproximativ 3,6 km/h (Fig. 30), iar dacă eliberați mânerul pentru acționare automată, mașina de tuns iarba se va opri.

Pentru PLM4632, PLM5130

Mașina este prevăzută cu un sistem de reglare a vitezei, care poate regla 3 viteze, de la 3,0 km/h la 4,5 km/h. Poziția "☰": cea mai lentă poziție; Poziția "☱": cea mai rapidă poziție. (Fig. 31)

Procedați în modul următor:

1. Eliberați mânerul de comandă pentru acționare automată până când mașina de tuns iarba nu mai înaintează.
2. Reglați viteza dorită. (Fig. 31)
3. Prindeți mânerul de comandă pentru acționare automată pentru a continua operația de tundere a ierbii. (Fig. 30)



ATENȚIE: Mașina dumneavoastră de tuns iarba este concepută pentru a tăia iarbă rezidențială obișnuită, nu mai înaltă de 250 mm.

Nu încercați să tundeți iarbă uscată foarte înaltă sau iarbă umedă (de exemplu, pășune), sau grămezi de frunze uscate. Reziduurile se pot acumula pe puntea mașinii sau pot intra în contact cu țevă de eșapament a motorului, apărând pericolul incendiilor.

7-6 PENTRU OBTINEREA UNOR REZULTATE CÂT MAI BUNE LA TUNDEREA IERBII

Eliberați gazonul de reziduuri. Asigurați-vă că gazonul este liber de pietre, bețe, sârme sau alte obiecte străine care pot fi proiectate accidental de mașina de tuns iarba în orice direcție provocând răni operatorului și altor persoane din apropiere, precum și aducând daune proprietății și obiectelor din jur. Nu tăiați iarbă udă. Pentru o tundere a ierbii cât mai eficientă, nu tăiați iarbă udă, deoarece aceasta are tendința de a se lipi de partea inferioară a punții, împiedicând tunderea corectă a ierbii tăiate. Tăiați iarba pe cel mult 1/3 din lungime. Tăierea recomandată pentru tundere este de 1/3 din lungimea ierbii. Viteza de deplasare va trebui reglată astfel încât bucățile de iarbă tăiată să poate fi distribuite uniform pe gazon. În special pentru tăieri dificile în iarbă deasă, poate fi necesară utilizarea celei mai reduse turajii, pentru a obține o tundere corectă și curată. La tunderea ierbii înalte este posibil să fie necesară tunderea peluzei în două ture, coborând lama cu încă 1/3 din lungime pentru cea de-a doua tăiere, precum și tăierea cu un model diferit de cel utilizat la prima tăiere. Suprapunerea unei tăieri cu fiecare trecere va ajuta, de asemenea, la curățarea oricăror bucăți de iarbă rămase pe gazon. Mașina de tuns iarba trebuie întotdeauna operată la accelerație maximă pentru a obține cea mai bună tăiere și pentru a permite o operație de tundere cât mai eficientă. Curățați partea inferioară a punții. Asigurați-vă că ați curățat partea inferioară a punții după fiecare utilizare pentru a evita acumularea ierbii, care ar putea împiedica o mulcire corespunzătoare. Tunderea frunzelor. Tunderea frunzelor poate fi, de asemenea, benefică pentru gazonul dumneavoastră. La tunderea frunzelor, asigurați-vă că acestea sunt uscate și nu formează un strat prea gros pe gazon. Nu așteptați căderea tuturor frunzelor din copaci înainte de tundere.



AVERTISMENT: Dacă loviți un obiect străin, opriți motorul. Deconectați conductorul de la bujie, inspectați cu atenție mașina de tuns iarba pentru a identifica eventuale defecțiuni și remediați defecțiunea înainte de a reporni și opera mașina de tuns iarba. Vibrațiile excesive ale mașinii de tuns iarba în timpul operării indică un defect. Unitatea trebuie inspectată și reparată prompt.

7-7 SEPARATOR DE IARBĂ

Pe partea de sus a separatorului de iarbă se află un indicator de nivel care indică dacă separatorul este gol sau plin (Fig. 32, Fig. 33):

- Indicatorul de nivel se umflă dacă separatorul nu este plin în timpul deplasării. (Fig. 33)
- Dacă separatorul este plin, indicatorul se dezumflă; după ce se întâmplă acest lucru, opriți imediat deplasarea și golii separatorul, asigurați-vă că este curat și că împletitura acestuia este ventilată. (Fig. 32)


IMPORTANT


Dacă poziția deschiderii indicatorului este foarte murdară, indicatorul nu se va umfla - în acest caz, curățați imediat poziția deschiderii indicatorului.

7-8 PUNTE

Partea inferioară a punții mașinii de tuns iarba trebuie curățată după fiecare utilizare pentru a preveni acumularea bucăților de iarbă tăiată, a frunzelor, mizeriei și altor materii. Dacă aceste reziduuri sunt lăsate să se acumuleze, pot rezulta ruginirea și corозиunea, împiedicând mulcirea corectă. Puntea trebuie curățată prin înclinarea mașinii de tuns iarba și curățarea prin răzuire cu un instrument adecvat (asigurați-vă că ați deconectat conductorul bujiei).

7-9 INSTRUCȚIUNI DE REGLARE A ÎNĂLȚIMII

 **ATENȚIE:** Nu încercați niciodată să efectuați reglaje ale mașinii de tuns iarba fără a opri mai întâi motorul și a deconecta conductorul bujiei.

 **ATENȚIE:** Înainte de a modifica înălțimea de tuns iarba, opriți mașina de tuns iarba și deconectați bujia.

Mașina de tuns iarba este prevăzută cu o manetă centrală de reglare a înălțimii care oferă 8 poziții de înălțime.

Înălțimea (lamă față de sol) poate fi reglată de la 20 mm la 75 mm (8 poziții de înălțime). (Fig. 34)

Cea mai redusă reglare: 20 mm (poziție 1); cea mai mare reglare: 75 mm (8 poziții).

1. Opriți mașina de tuns iarba și deconectați cablul bujiei înainte de a modifica înălțimea de tăiere a mașinii.
2. Maneta centrală de reglare a înălțimii vă oferă 8 poziții diferite de înălțime. (Fig. 34)

Pentru a modifica înălțimea de tăiere, strângeți maneta de reglare spre roată, mutând în sus sau în jos la înălțimea selectată.

8. INSTRUCȚIUNI DE ÎNȚREȚINERE

BUJIE


Utilizați doar o bujie de schimb originală. Pentru cele mai bune rezultate, înlocuiți bujia la fiecare 100 de ore de utilizare.

9. INSTRUCȚIUNI DE LUBRIFIERĂ

 **ATENȚIE:** DECONECTAȚI BUJIA ÎNAINTE DE EFECTUAREA SERVICE-ULUI.


1. ROȚI - Lubrifiați rulmenții din fiecare roată cel puțin o dată pe sezon, cu ulei ușor.
2. MOTOR - Consultați manualul motorului pentru instrucțiuni de lubrifiere.

10. CURĂȚAREA

 **ATENȚIE:** Nu stropiți cu apă motorul. Apa poate duce la defectarea motorului sau poate contamina sistemul de combustibil.

1. Ștergeți puntea cu o cârpă uscată.
2. Stropiți cu apă partea de sub punte ridicând mașina de tuns iarba astfel încât bujia să fie uscată.

10-1 FILTRU DE AER MOTOR


 **ATENȚIE:** Nu permiteți acumularea mizeriei sau prafului în elementul de spumă al filtrului de aer. Elementul filtrului de aer al motorului trebuie curățat după fiecare 25 de ore de operare normală. Elementul de spumă trebuie întreținut în mod regulat dacă mașina de tuns iarba este folosită în condiții uscate, cu mult praf.


PENTRU A CURĂȚA FILTRUL DE AER

1. Îndepărtați șurubul. (Fig. 35 pentru PLM4632 și PLM5130)
2. Scoateți bolțul de blocare. (Fig. 36 pentru PLM4630 și PLM4631)
3. Scoateți capacul filtrului.
4. Spălați elementul de filtru în apă cu săpun. **NU FOLOȘIȚI BENZINĂ!**
5. Lăsați elementul de filtru să se usuce la aer.
6. Aplicați câteva picături de ulei SAE30 pe filtrul cu spumă și strângeți ferm pentru a elimina uleiul în exces.
7. Remontați filtrul.

NOTĂ: Înlocuiți filtrul dacă acesta este uzat, rupt, deteriorat sau nu mai poate fi curățat.

10-2 LAMA DE TĂIERE

 **ATENȚIE:** Asigurați-vă că deconectați și legați la masă conductorul bujiei înainte de a lucra pe lama de tăiere, pentru a preveni pornirea accidentală a motorului. Protejați-vă mâinile cu mănuși groase sau cu o cârpă atunci când apucați lamele de tăiere. Înclinați mașina de tuns iarba în modul specificat în manualul separat al motorului. Demontați șurubul hexagonal și șaiba care fixează lama și adaptorul de lamă pe arborele cotit al motorului. Demontați lama și adaptorul de pe arborele cotit.

 **AVERTISMENT:** Inspectați periodic adaptorul de lamă pentru identificarea eventualelor fisuri, în special dacă ați lovit un obiect străin. Înlocuiți dacă este necesar. Pentru cele mai bune rezultate, lama trebuie să fie ascuțită. Lama trebuie ascuțită din nou, prin demontarea ei și fie prin șlefuire, fie prin pilire a marginii de tăiere, încercând să păstrați oblicitatea originală. Este extrem de important ca fiecare margine de tăiere să fie șlefuită în mod egal pentru a evita o lamă dezechilibrată. O lamă neechilibrată va duce la vibrații excesive, cauzând defectarea motorului și a mașinii de tuns iarba. Asigurați-vă că echilibrați cu atenție lama după ascuțire. Echilibrul lamei poate fi testat prin echilibrarea balansarea acesteia pe o șurubelniță de arbore rotundă. Șlefuiți partea mai grea până la o balansare perfectă. (Fig. 37) Înainte de reasamblarea lamei și a adaptorului de lamă pe unitate, lubrifiați arborele cotit al motorului și suprafața interioară a adaptorului de lamă cu ulei ușor. Montați adaptorul de lamă pe arborele cotit. Consultați Fig. 37. Amplasați lama cu numărul de piesă în partea opusă

adaptorului. Aliniați șaiba peste lamă și introduceți șurubul hexagonal. Strângeți șurubul hexagonal la cuplul listat mai jos.

10-3 CUPLU DE MONTARE LAMĂ

Șurub central 40 Nm - 50 Nm, pentru a garanta operarea în siguranță a unității dumneavoastră. Toate piulițele și șuruburile trebuie verificate periodic pentru a fi strânse corect.

După o utilizare prelungită, în special în condiții de sol nisipos, lama se va uza și își va pierde din forma originală. Eficiența tăierii se va reduce, iar lama va trebui înlocuită. Înlocuiți doar cu o lamă de schimb aprobată de producător. Posibilele daune rezultate din neechilibrarea lamei nu intră în responsabilitatea producătorului. Când schimbați lama, trebuie să utilizați tipul original marcat pe lamă (MAKITA 263001451 pentru PLM4630/PLM4631/PLM4632, MAKITA 263002552 pentru PLM5130) (pentru a comanda lama, vă rugăm să contactați distribuitorul local sau societatea noastră, consultați coperta).

10-4 MOTOR

Consultați manualul separat al motorului pentru instrucțiuni de întreținere a motorului.

Întrețineți uleiul de motor conform instrucțiunilor din manualul separat al motorului, furnizat împreună cu unitatea dumneavoastră. Citiți cu atenție și respectați instrucțiunile.

Întrețineți filtrul de aer conform manualului separat al motorului, în condiții de utilizare normală.

Curățați la fiecare câteva ore în condiții cu foarte mult praf. O performanță slabă a motorului și înecarea acestuia indică, de obicei, faptul că trebuie efectuată întreținerea filtrului de aer.

Pentru întreținerea filtrului de aer, consultați manualul separat al motorului furnizat împreună cu unitatea dumneavoastră.

Bujia trebuie curățată, iar distanța dintre electrozi trebuie resetată o dată pe sezon. Se recomandă înlocuirea bujiei la începerea fiecărui sezon de tundere a ierbii; verificați manualul motorului pentru tipul corect de bujie și specificații privind distanța corectă între electrozi.

Curățați motorul în mod regulat cu o cârpă sau perie. Păstrați sistemul de răcire (zona carcasei ventilatorului) curat pentru a permite o circulație adecvată a aerului, aceasta fiind esențială pentru operarea și durata de viață a motorului. Asigurați-vă că îndepărtați iarba, mizeria și reziduurile de combustibil din zona tobei de echipament.

11. INSTRUCȚIUNI DE DEPOZITARE (ÎN AFARA SEZONULUI)

Pentru a pregăti mașina de tuns iarba pentru depozitare urmați pașii de mai jos.

1. Goliți rezervorul după ultima tundere a ierbii din sezonul respectiv.
 - a) Goliți rezervorul de combustibil cu o pompă de aspirație.



ATENȚIE: Nu goliți benzina în încăperi închise, în apropierea unei flăcări deschise etc. Nu fumați! Vaporii de benzină pot cauza explozii sau incendii.

- b) Porniți motorul și lăsați-l să funcționeze până la consumarea întregii cantități de benzină rămase și până la blocare.
 - c) Demontați bujia. Utilizați un bidon de ulei pentru a turna aprox. 20 ml de ulei în camera de combustie. Acționați demarorul pentru a distribui uniform uleiul în camera de combustie. Remontați bujia.
2. Ungeți și ungeți cu atenție mașina de tuns iarba conform descrierii din secțiunea "INSTRUCȚIUNI DE LUBRIFIERE" de mai sus.
 3. Ungeți ușor cuțitul pentru a evita coroziunea.
 4. Depozitați mașina de tuns iarba într-un loc uscat, curat, protejat împotriva înghețului, ferit de accesul persoanelor neautorizate.



ATENȚIE: Motorul trebuie să se fi răcit complet înainte de depozitarea mașinii de tuns iarba.



NOTĂ:

- La depozitarea oricărui tip de echipament de alimentare într-o zonă de depozitare a materialelor sau o zonă neventilată.
- Se va asigura protecția echipamentului împotriva coroziunii. Utilizând un ulei ușor sau silicon, acoperiți cu un strat echipamentul, în special cablurile și toate părțile mobile.
- Acordați atenție pentru a nu îndoi sau strivi cablurile.
- În cazul în care cablul demarorului se deconectează de la ghidajul de cablu de pe mâner, deconectați și legați la masă conductorul bujiei, apăsați maneta de comandă frână și trageți încet cablul demarorului din motor. Introduceți cablul demarorului în bolțul de ghidare cablu de pe mâner.

Transport

Oprii motorul. Asigurați-vă că nu îndoiți sau deteriorați cuțitul la împingerea peste obstacole a mașinii de tuns iarba.

12. DEPANARE

PROBLEMĂ	CAUZĂ PROBABILĂ	ACȚIUNE CORECTIVĂ
Motorul nu pornește.	Maneta de șoc a accelerației nu se află în poziția corectă pentru condițiile date.	Mutați maneta de șoc a accelerației în poziția corectă.
	Rezervorul de combustibil este gol.	Umpleți rezervorul cu combustibil: consultați MANUALUL PROPRIETARULUI MOTORULUI.
	Elementul filtrului de aer este murdar.	Curățați elementul filtrului de aer: consultați MANUALUL PROPRIETARULUI MOTORULUI.
	Bujie desprinsă.	Strângeți bujia la un cuplu de 25-30 Nm.
	Conductor al bujiei desprins sau deconectat de la bujie.	Montați conductorul bujiei pe bujie.
	Distanța între electrozii bujiei este incorectă.	Stabiliți spațiul între electrozi la 0,7 - 0,8 mm.
	Bujia este defectă.	Montați o bujie nouă, cu o distanță corectă între electrozi: consultați MANUALUL PROPRIETARULUI MOTORULUI.
	Carburatorul este inundat cu combustibil.	Demontați elementul filtrului de aer și trageți cablul demarorului în mod continuu până când carburatorul se curăță, iar apoi montați elementul filtrului de aer.
Modul de aprindere defect.	Contactați agentul de service.	
Motor dificil de pornit sau motorul pierde putere.	Murdărie sau apă în rezervor sau rezervor de combustibil gol.	Goliți combustibilul și curățați rezervorul. Umpleți rezervorul cu combustibil curat, proaspăt.
	Orificiul de aerisire din capacul rezervorului de combustibil este înfundat.	Curățați sau înlocuiți capacul rezervorului de combustibil.
	Elementul filtrului de aer este murdar.	Curățați elementul filtrului de aer.
Motorul funcționează neregulat.	Bujia este defectă.	Montați o bujie nouă, cu o distanță corectă între electrozi: consultați MANUALUL PROPRIETARULUI MOTORULUI.
	Distanța între electrozii bujiei este incorectă.	Stabiliți spațiul între electrozi la 0,7 - 0,8 mm.
	Elementul filtrului de aer este murdar.	Curățați elementul filtrului de aer: consultați MANUALUL PROPRIETARULUI MOTORULUI.
Turație de ralanti motor defectuoasă.	Elementul filtrului de aer este murdar.	Curățați elementul filtrului de aer: consultați MANUALUL PROPRIETARULUI MOTORULUI.
	Fantele de aer din mantaua de protecție a motorului sunt blocate.	Eliminați reziduurile din fante.
	Aripioarele de răcire și căile de aer de sub carcasa ventilatorului motorului sunt blocate.	Eliminați reziduurile din aripioarele de răcire și căile de aer.
Întreruperi ale motorului la turații mari.	Spațiul dintre electrozii bujiei este prea mic.	Stabiliți spațiul între electrozi la 0,7 - 0,8 mm.
Motorul se supraîncălzește.	Fluxul de aer de răcire este obstrucționat.	Eliminați reziduurile din fantele aflate în mantaua de protecție, carcasa ventilatorului, căile de aer.
	Bujie incorectă.	Pentru PLM4630/PLM4631: Montați bujia RJ19LMC și aripioarele de răcire pe motor. Pentru PLM4632/PLM5130: Montați bujia QC12YC și aripioarele de răcire pe motor.
Mașina de tuns iarba vibrează anormal.	Ansamblul de tăiere nu este fixat ferm.	Strângeți lama.
	Ansamblul de tăiere este dezechilibrat.	Echilibrați lama.

13. MEDIU

În cazul în care mașina dumneavoastră trebuie înlocuită după o lungă perioadă de utilizare, nu o depuneți la gunoiul menajer și respectați normele de protecție a mediului la depunerea acesteia la deșeuri.

Doar pentru țările europene

Declarație de conformitate CE

Subscrisa, Makita Corporation, în calitate de producător responsabil, declară că următoarea (următoarele) unealtă (unelte) Makita:

Denumirea utilajului: Mașină de tuns iarba pe bază de benzină

Nr. model/Tip: PLM4630, PLM4631, PLM4632, PLM5130

Specificații: Consultați "4. DATE TEHNICE" sunt produse de serie și

sunt în conformitate cu următoarele Directive

Europene:

2004/108/CE, 2006/42/CE,

2000/14/CE & 2005/88/CE

Și sunt fabricate în conformitate cu următoarele standarde sau documente standardizate:

EN 836, EN ISO 14982

Documentația tehnică este păstrată de:

Makita International Europe Ltd.,

Technical Department,

Michigan Drive, Tongwell,

Milton Keynes, Bucks MK15 8JD, Anglia

Procedura de evaluare a conformității cerută de Directiva 2000/14/CE s-a efectuat în conformitate cu anexa VI.

Organism notificat:

TÜV SÜD Industrie Service GmbH

Westendstraße 199, D-80686 München

Număr de identificare: 0036

Model: PLM4630, PLM4631

Nivel de putere acustică măsurată: 94,2 dB (A)

Nivel de putere acustică garantat: 96 dB (A)

Model: PLM4632

Nivel de putere acustică măsurată: 94,3 dB (A)

Nivel de putere acustică garantat: 96 dB (A)

Model: PLM5130

Nivel de putere acustică măsurată: 95,9 dB (A)

Nivel de putere acustică garantat: 98 dB (A)

30. 11. 2012



Tomoyasu Kato

Director

Makita Corporation

3-11-8, Sumiyoshi-cho,

Anjo, Aichi, 446-8502, JAPAN

Пояснения к общему виду

- | | | |
|----------------------------------|--------------------------------|---------------------------------|
| 1. Рукоятка управления тормозом | 11. Боковой разгрузочный канал | 22. Болт |
| 2. Верхняя рукоятка | 12. Боковая заслонка | 23. Шайба |
| 3. Рукоятка управления движением | 13. Основание | 24. Рукоятка блокировки |
| 4. Рычаг воздушной заслонки | 14. Свеча зажигания | 25. Стопорная гайка |
| 5. Рукоятка стартера | 15. Крышка маслобака | 26. Устройство регулировки угла |
| 6. Направляющая троса | 16. Крышка заливной горловины | 27. Кнопка |
| 7. Стопорный рычаг | 17. Кабельный зажим | 28. Крышка маслобака/щуп |
| 8. Нижняя рукоятка | 18. Кольцо крепления троса | 29. Макс.: верхний предел |
| 9. Бункер для сбора травы | 19. Рычаг регулировки скорости | 30. Мин.: нижний предел |
| 10. Рычаг регулировки высоты | 20. Клин для мульчирования | 31. Винт |
| | 21. Индикатор уровня | |



ПРЕДОСТЕРЕЖЕНИЕ:

Чтобы обеспечить безопасное использование, прочтите это руководство перед началом эксплуатации устройства. Несоблюдение указаний может стать причиной тяжелых травм. Уделите немного времени, чтобы ознакомиться с газонокосилкой перед ее использованием.



Во время ремонта извлеките свечу зажигания и затем выполняйте ремонт в соответствии с руководством по эксплуатации.



Предупреждение: Двигатель горячий.

1. МАРКИРОВКИ НА ИЗДЕЛИИ



Прочтите руководство по эксплуатации.



Не допускайте посторонних к месту работ.



Чтобы избежать травм, оператор должен обращать особое внимание на руки и ноги.



Топливо легко воспламеняется, не подносите к нему огонь. Не доливайте топливо на работающей машине.



Токсичные пары; не эксплуатируйте в помещении.



Во время обработки газона используйте защитные очки и предохранительные наушники.

2. ОБЩИЕ ПРАВИЛА ТЕХНИКИ БЕЗОПАСНОСТИ



ПРЕДОСТЕРЕЖЕНИЕ: При использовании бензиновых инструментов соблюдайте основные правила техники безопасности, включая перечисленные ниже, чтобы снизить риск получения тяжелых травм и/или повреждения устройства. Прочтите все инструкции до начала эксплуатации изделия и сохраните их для последующего использования.



ПРЕДОСТЕРЕЖЕНИЕ: Во время работы данное устройство создает электромагнитное поле. В некоторых случаях это поле может создавать помехи для активных или пассивных медицинских имплантатов. Чтобы уменьшить риск тяжелой или смертельной травмы, перед началом эксплуатации устройства людям с медицинскими имплантатами рекомендуется проконсультироваться с врачом и производителем имплантата.

Обучение

- Внимательно прочитайте инструкции. Ознакомьтесь со всеми органами управления и правилами правильной эксплуатации изделия.
- Не разрешайте детям и лицам, не знакомым с данными инструкциями, пользоваться газонокосилкой. В местном законодательстве могут существовать возрастные ограничения для операторов.

- Запрещается эксплуатировать газонокосилку, если поблизости находятся люди (в особенности дети) или животные.
- Помните, что оператор/пользователь несет ответственность за происшествия и опасные ситуации с другими людьми или их собственностью.

Подготовка

- На время стрижки газона обязательно надевайте прочную обувь и длинные брюки. Не пользуйтесь оборудованием босиком или в открытых сандалиях.
- Тщательно осмотрите место, где будет использоваться оборудование, и удалите все предметы, которые могут быть отброшены машиной.
- **ПРЕДОСТЕРЕЖЕНИЕ** - Бензин легко воспламеняется.
 - храните топливо в предназначенных для этого канистрах;
 - заправляйте бак только вне помещения, не курите во время заправки;
 - доливайте топливо до запуска двигателя. Запрещается снимать крышку топливного бака или доливать бензин при работающем двигателе или если двигатель горячий;
 - если бензин был пролит, не запускайте двигатель; передвиньте газонокосилку в сторону от места разлива и не создавайте каких-либо источников искр до испарения бензина;
 - надежно закрывайте крышки топливного бака и канистры.
- Замените неисправные глушители.
- Перед использованием обязательно осмотрите лезвия, болты крепления лезвий и режущий узел на предмет износа и повреждений. Заменяйте изношенные или поврежденные лезвия и болты комплектами, чтобы не допустить нарушения балансировки.

Эксплуатация

- Не включайте двигатель в ограниченном пространстве, где возможно скопление опасных паров угарного газа.
- Стрижку газонов выполняйте только в дневное время или при хорошем искусственном освещении.
- По возможности не используйте оборудование на мокрой траве.
- Соблюдайте осторожность на склонах.
- Передвигайтесь шагом, не бегайте.
- При использовании колесных ротационных машин стрижку склонов выполняйте только поперек, но ни в коем случае не вверх и не вниз по склону.
- Соблюдайте особую осторожность, меняя направление движения на склонах.
- Не выполняйте стрижку на чересчур крутых склонах.
- Соблюдайте особую осторожность при движении задним ходом или подтягивая газонокосилку к себе.
- Обязательно выключайте лезвие, если газонокосилку необходимо наклонить для транспортировки по поверхности, отличной от травы, либо при транспортировке газонокосилки к месту эксплуатации и обратно.

- Запрещается эксплуатировать газонокосилку с неисправными ограждениями или без защитных приспособлений, например, дефлекторов или бункера для сбора травы.
- Не меняйте настройки регулятора оборотов двигателя и не превышайте частоту оборотов двигателя.
- Перед запуском двигателя отсоедините все лезвия и муфты привода.
- Включайте двигатель осторожно, в соответствии с инструкциями, ноги при этом должны находиться как можно дальше от лезвий.
- При запуске двигателя не наклоняйте газонокосилку.
- Не включайте двигатель, стоя перед разгрузочным желобом.
- Не помещайте руки или ноги под вращающиеся детали или вблизи них. В любой ситуации не становитесь перед разгрузочным отверстием.
- Не поднимайте и не переносите газонокосилку с работающим двигателем.
- Выключите двигатель и отсоедините провод свечи зажигания, убедитесь, что все движущиеся части полностью остановились, если вставлен ключ - извлеките его:
 - перед устранением засоров и удалением предметов, закупоривших желоб;
 - перед проверкой, очисткой или обслуживанием газонокосилки;
 - после удара о посторонний предмет. Осмотрите газонокосилку на предмет повреждений и устраните неисправность, прежде чем включать и эксплуатировать газонокосилку;
 - если началась ненормальная вибрация газонокосилки (немедленно проверьте).
- Выключите двигатель и отсоедините провод свечи зажигания, убедитесь, что все движущиеся части полностью остановились, если вставлен ключ - извлеките его:
 - оставляя ее без присмотра;
 - перед заправкой.
- При выключении двигателя уменьшите степень открытия дроссельной заслонки; если двигатель оснащен отсечным клапаном, по окончании стрижки газона выключите подачу топлива.

Обслуживание и хранение

- Все гайки, болты и винты должны быть надежно затянуты - это обеспечит безопасность и работоспособность.
- Не храните оборудование с бензином в баке в помещении, где пары могут достичь открытого огня или искр.
- Перед постановкой на хранение в помещении дайте двигателю остыть.
- Чтобы уменьшить опасность пожара, храните двигатель, глушитель, отделение для батареи и бензин вдали от мест с травой, листьями или вблизи с большим количеством смазки.
- Периодически проверяйте бункер для сбора травы на предмет износа и снижения эксплуатационных качеств.
- Чтобы обеспечить безопасность, заменяйте изношенные и поврежденные детали.

- Если требуется слить топливо из бака, это следует делать вне помещения.



ПРЕДОСТЕРЕЖЕНИЕ: Не прикасайтесь к вращающемуся лезвию.



ПРЕДОСТЕРЕЖЕНИЕ: Выполняйте заправку только в хорошо проветриваемом помещении при остановленном двигателе.

3. ОПИСАНИЕ ДЕТАЛЕЙ (Рис. 1, Рис. 2, Рис. 3, Рис. 4)

Включая:

А: Ключ для свечи зажигания

4. ТЕХНИЧЕСКИЕ ДАННЫЕ

Модель	PLM4630	PLM4631	PLM4632	PLM5130
Тип масла	Серия V&S 675EX, ReadyStart	Серия V&S 675EX, ReadyStart	Серия V&S 750EX, ReadyStart	Серия V&S 750EX, ReadyStart
Самоходная	Нет	Да	Да	Да
Рабочий объем двигателя	190 см ³	190 см ³	161 см ³	161 см ³
Ширина ножа	460 мм	460 мм	460 мм	510 мм
Номинальная скорость	2800/мин	2800/мин	2800/мин	2800/мин
Емкость топливного бака	1,0 л	1,0 л	1,0 л	1,0 л
Емкость маслобака	0,6 л	0,6 л	0,6 л	0,6 л
Объем бункера для сбора травы	60 л	60 л	60 л	65 л
Вес нетто	31,5 кг	34 кг	35 кг	38 кг
Регулировка высоты	20-75 мм, 8 положений	20-75 мм, 8 положений	20-75 мм, 8 положений	20-75 мм, 8 положений

	PLM4630	PLM4631	PLM4632	PLM5130
Гарантированный уровень звукового давления на месте оператора (В соответствии с EN ISO 3744, EN ISO 4871)	83,5 дБ (А) (К=3 дБ (А))	83,5 дБ (А) (К=3 дБ (А))	83,9 дБ (А) (К=3 дБ (А))	85,7 дБ (А) (К=3 дБ (А))
Измеренный уровень звуковой мощности	94,2 дБ (А) К=1,95 дБ (А)	94,2 дБ (А) К=1,95 дБ (А)	94,3 дБ (А) К=1,80 дБ (А)	95,9 дБ (А) К=2,16 дБ (А)
Гарантированный уровень звуковой мощности (В соответствии с 2000/14/ЕС)	96 дБ (А)	96 дБ (А)	96 дБ (А)	98 дБ (А)
Вибрация (В соответствии с EN ISO 20643)	6,58 м/с ² К=1,5 м/с ²	6,58 м/с ² К=1,5 м/с ²	7,12 м/с ² К=1,5 м/с ²	6,53 м/с ² К=1,5 м/с ²

5. СБОРКА

5-1 СОБЕРИТЕ СКЛАДНУЮ РУКОЯТКУ

1. Установите нижнюю рукоятку на кронштейн рукоятки с помощью болта, шайбы и рукоятки блокировки. (Рис. 5)
2. Поднимите два стопорных рычага, чтобы соединить верхнюю и нижнюю рукоятки. (Рис. 6)
3. Нажмите закрытый стопорный рычаг, чтобы зафиксировать рукоятки в рабочем положении. (Рис. 7)
4. Отрегулируйте натяжение, повернув стопорную гайку с помощью соответствующего гаечного ключа. (Рис. 8)
5. Проложите кабель по оси рукоятки. Зафиксируйте его вокруг нижней рукоятки с помощью кабельного зажима и убедитесь, что кабель закреплен на

внешней стороне рукоятки. (Рис. 9, Рис. 10) В противном случае кабель может быть защемлен при открытии/закрытии задней крышки.

5-2 РЕГУЛИРОВКА УГЛА

- 1) Потяните стопорный рычаг для его открытия.
- 2) Поворачивайте верхнюю рукоятку, направленную по центру устройства регулировки угла, чтобы установить необходимый угол (в пределах от -15° до 15° (3 положения: -15°/0°/15°) как показано на Рис. 11.
- 3) Потяните закрытый стопорный рычаг, чтобы подсоединить нижнюю и верхнюю рукоятку.

5-3 УСТАНОВКА И СНЯТИЕ БУНКЕРА ДЛЯ СБОРА ТРАВЫ

1. Установка: Поднимите заднюю крышку и присоедините бункер для сбора травы в задней части газонокосилки. (Рис. 12, Рис. 13, Рис. 14)
2. Снятие: Возьмитесь за заднюю крышку и поднимите ее, затем отсоедините бункер для сбора травы.

5-4 РУКОЯТКА СТАРТЕРА

Переведите рукоятку стартера с двигателя на направляющую троса. (Рис. 15)

5-5 ВЫСОТА СРЕЗАНИЯ

Нажмите по направлению наружу, чтобы высвободить рычаг из рейки. Переместите рычаг вперед или назад для регулировки высоты. (Рис. 16, см. также пункт 7-9)

6. ФУНКЦИОНИРОВАНИЕ

Предусмотрена возможность модернизации данных газонокосилок в зависимости от области применения: Газонокосилка с задним выбросом в:

1. газонокосилку для мульчирования, или
2. газонокосилку с отводом в сторону.

Что такое мульчирование?

При мульчировании трава срезается за один рабочий проход, затем мелко нарезается и возвращается на почву в качестве природного удобрения.

Советы для обработки газонов с мульчированием:

- Обычное срезание травы максимум на 2 см: с 6 до 4 см.
- Используйте острый нож.
- Не косите мокрую траву.
- Устанавливайте максимальные обороты двигателя.
- Перемещайтесь только в рабочем темпе.
- Регулярно очищайте клин для мульчирования, внутренние поверхности корпуса и лезвие.

Начало работы

6-1 Переделка в газонокосилку для мульчирования



ПРЕДОСТЕРЕЖЕНИЕ: Только при выключенном двигателе и неподвижном ноже.

1. Поднимите заднюю крышку и снимите бункер для сбора травы.
2. Надвиньте клин для мульчирования на основание. Зафиксируйте кнопкой клин для мульчирования в отверстии основания. (Рис. 17, Рис. 18)
3. Опустите заднюю крышку. (Рис. 19)
4. Поднимите боковую заслонку и снимите боковой разгрузочный канал.

6-2 Переделка для отвода в сторону



Только после полной остановки двигателя и режущего узла!

1. Поднимите заднюю крышку и снимите бункер для сбора травы.
2. Установите клин для мульчирования.
3. Поднимите боковую заслонку для отвода в сторону. (Рис. 20)
4. Установите боковой разгрузочный канал для отвода в сторону на опорный штифт боковой заслонки. (Рис. 21)
5. Опустите боковую заслонку, чтобы она легла на боковой разгрузочный канал. (Рис. 22)

6-3 Стрижка газона с использованием бункера для сбора травы



Только при выключенном двигателе и неподвижном ноже.

Чтобы использовать газонокосилку с бункером для сбора травы, снимите клин для мульчирования и разгрузочный канал для бокового отвода, и установите бункер для сбора травы.

1. Снятие клина для мульчирования.
 - Поднимите заднюю крышку и снимите клин для мульчирования.
2. Снятие бокового разгрузочного канала для отвода в сторону.
 - Поднимите боковую заслонку и снимите боковой разгрузочный канал.
 - Боковая заслонка автоматически закроет выпускное отверстие в корпусе посредством пружины.
 - Регулярно очищайте боковую заслонку и выпускное отверстие от остатков травы и грязи.
3. Установите бункер для сбора травы.
 - Установка: Поднимите заднюю крышку и присоедините бункер для сбора травы в задней части газонокосилки.
 - Снятие: Возьмитесь за заднюю крышку и поднимите ее, затем отсоедините бункер для сбора травы.

7. ИНСТРУКЦИИ ПО ЭКСПЛУАТАЦИИ

7-1 ПЕРЕД НАЧАЛОМ РАБОТЫ

Обработывайте двигатель бензином и маслом согласно инструкциям в отдельном руководстве по двигателю, которое входит в комплект документации, прилагаемой к газонокосилке. Внимательно прочитайте инструкции. (Рис. 23, Рис. 24, Рис. 25, Рис. 26)



ПРЕДОСТЕРЕЖЕНИЕ: Бензин легко воспламеняется.

Храните топливо в предназначенных для этого канистрах.

Заправляйте бак только вне помещения, перед запуском двигателя, и не курите во время заправки или погрузочно-разгрузочных операций с топливом. Запрещается снимать крышку топливного бака или доливать бензин при работающем двигателе или если двигатель горячий.

Если бензин был пролит, не запускайте двигатель; передвиньте газонокосилку в сторону от места разлива и не создавайте каких-либо источников искр до испарения бензина.

Надежно закрывайте крышки топливного бака и канистры.

Перед тем как наклонить газонокосилку для обслуживания ножа или слива масла, слейте топливо из бака.



ПРЕДОСТЕРЕЖЕНИЕ: Запрещается заливать топливо в бак в помещении, при работающем двигателе или ранее 15 минут после выключения двигателя.

7-2 ПУСК ДВИГАТЕЛЯ И ВКЛЮЧЕНИЕ НОЖА

1. Свеча зажигания газонокосилки защищена резиновым чехлом; убедитесь, что металлическая петля на конце провода свечи зажигания (внутри резинового чехла) надежно прикреплена к металлическому наконечнику на свече зажигания.
2. При пуске холодного двигателя поверните рычаг воздушной заслонки в положение “☁”. При пуске горячего двигателя и во время работы рычаг воздушной заслонки дросселя следует установить в положение “☞”. **(Рис. 27)**
3. Стоя позади устройства, возьмитесь за рукоятку управления тормозом и прижмите ее к верхней рукоятке как показано на **Рис. 28**.
4. Возьмитесь за рукоятку стартера как показано на **Рис. 28** и резко потяните вверх. После запуска двигателя медленно верните ее на болт направляющей троса.

Чтобы остановить двигатель и нож, отпустите рукоятку управления тормозом.



Включайте двигатель осторожно, в соответствии с инструкциями, ноги при этом должны находиться как можно дальше от лезвий.



При запуске двигателя не наклоняйте газонокосилку. Включайте газонокосилку на ровной поверхности, свободной от высокой травы или препятствий.



Берегите руки и ноги от вращающихся деталей. Не включайте двигатель, стоя перед разгрузочным отверстием.

7-3 ЭКСПЛУАТАЦИОННЫЕ ПРОЦЕДУРЫ

Во время работы надежно удерживайте рукоятку управления тормозом обеими руками.

Примечание: Если во время работы отпустить рукоятку управления тормозом, двигатель выключится, и газонокосилка прекратит работу.

7-4 ВЫКЛЮЧЕНИЕ ДВИГАТЕЛЯ



ПРЕДУПРЕЖДЕНИЕ: Нож продолжает вращаться в течение нескольких секунд после выключения двигателя.

1. Чтобы остановить двигатель и нож, отпустите рукоятку управления тормозом. **(Рис. 29)**
2. Отсоедините и заземлите провод зажигания от свечи согласно указаниям в руководстве по эксплуатации двигателя, чтобы предотвратить случайный самопроизвольный пуск устройства.

7-5 СОЕДИНЕНИЕ ДЛЯ АВТОМАТИЧЕСКОГО ДВИЖЕНИЯ

Для PLM4631

Возьмитесь за ручку управления движением, газонокосилка начнет автоматически двигаться вперед со скоростью примерно 3,6 км/ч. **(Рис. 30)** Если отпустить ручку управления движением, газонокосилка остановится.

Для PLM4632, PLM5130

Газонокосилка оснащена системой регулировки скорости с тремя режимами – от 3,0 до 4,5 км/ч. Положение “☁”: самая медленная работа; положение “☞”: самая быстрая работа. **(Рис. 31)** Действовать как указано ниже:

1. Отпустите ручку управления движением, чтобы газонокосилка остановилась.
2. Настройте нужную скорость. **(Рис. 31)**
3. Возьмитесь за ручку управления движением, чтобы продолжить обработку газона. **(Рис. 30)**




ПРЕДУПРЕЖДЕНИЕ: Газонокосилка предназначена для скашивания травы на приусадебных участках, высота которой не превышает 250 мм.

Не пытайтесь скашивать слишком высокую, сухую или влажную траву (например, на пастбище) или кучи сухих листьев. Мусор может скопиться в основании газонокосилки или попасть на выпускную систему, что может создать потенциальную угрозу пожара.

7-6 МЕТОДЫ СТРИЖКИ ГАЗОНОВ

Очистите газон от мусора. Убедитесь, что на газоне нет камней, палок, проводов или других инородных предметов, которые могут быть случайно выброшены газонокосилкой, причинив тяжелую травму оператору или посторонним людям, повредить имущество или окружающие предметы. Не косите мокрую траву. Для максимальной эффективности стрижки газона не косите мокрую траву, поскольку она налипает на дноще основания и затрудняет стрижку. Срезайте не более 1/3 высоты травы. Рекомендованная высота срезания для газона составляет 1/3 высоты травы. Скорость передвижения следует подобрать таким образом, чтобы срезанная трава равномерно распределялась по газону. В особо сложных условиях при скашивании толстых стеблей используйте самые низкие скорости, чтобы добиться оптимального скашивания. При скашивании высокой травы может потребоваться скашивание газона в два захода,

опустив нож еще на 1/3 при втором заходе. Возможно, при втором заходе нужно будет изменить способ скашивания. Для зачистки отдельных нескошенных участков рекомендуется, чтобы каждый следующий проход немного перекрывал предыдущий. Газонокосилку следует эксплуатировать с максимально открытой дроссельной заслонкой, чтобы добиться наилучшего среза травы и максимально эффективной стрижки газона. Очищайте днище основания. Обязательно очищайте днище основания после каждого использования, чтобы не допустить скопления травы. Она снижает качество мульчирования. Перемалывание листьев. Перемалывание листьев также полезно для газонов. При перемалывании листьев убедитесь, что они сухие и их слой на газоне не слишком толстый. Не дожидайтесь, пока с деревьев опадут все листья, чтобы начать перемалывание.

 **ПРЕДОСТЕРЕЖЕНИЕ:** Наткнувшись на посторонний предмет, выключите двигатель. Отсоедините провод от свечи зажигания, тщательно осмотрите газонокосилку на предмет повреждений, и устраните повреждения перед повторным запуском и эксплуатацией газонокосилки. Сильная вибрация газонокосилки во время работы является признаком повреждения. Устройство следует незамедлительно осмотреть и отремонтировать.

7-7 БУНКЕР ДЛЯ СБОРА ТРАВЫ

На верхней части бункера для сбора травы предусмотрен индикатор уровня, который показывает степень заполнения бункера (Рис. 32, Рис. 33):

- Индикатор уровня увеличивается, если бункер для сбора травы не заполнен во время перемещения. (Рис. 33)
- Если бункер для сбора травы полный, индикатор уменьшается. В этом случае немедленно прекратите перемещение и опорожните бункер. Убедитесь, что он чистый, а его сетка вентилируется. (Рис. 32)

ВАЖНО

Если отверстие индикатора загрязнено, индикатор не будет увеличиваться. В этом случае незамедлительно очистите отверстие индикатора.

7-8 ОСНОВАНИЕ

Нижнюю поверхность основания газонокосилки следует очищать после каждого использования, чтобы предотвратить скопление обрезков травы, листьев, грязи и т.п. Если такой мусор будет скапливаться, это приведет к появлению ржавчины и коррозии, и может снизить качество мульчирования. Для очистки основания наклоните газонокосилку и соскребите грязь подходящим инструментом (убедитесь, что провод зажигания отсоединен).

7-9 УКАЗАНИЯ ПО РЕГУЛИРОВКЕ ВЫСОТЫ



ПРЕДУПРЕЖДЕНИЕ: Ни в коем случае не выполняйте какие-либо регулировки газонокосилки, не выключив предварительно двигатель и не отсоединив провод зажигания.



ПРЕДУПРЕЖДЕНИЕ: Перед изменением высоты скашивания выключите газонокосилку и отсоедините провод зажигания.

Газонокосилка оснащена центральным рычагом регулировки высоты, имеющим 8 положений.

Высоту (лезвия от земли) можно отрегулировать в диапазоне от 20 до 75 мм (8 положений). (Рис. 34) Минимальная высота: 20 мм (положение 1), максимальная высота: 75 мм (положение 8).

1. Прежде чем изменять высоту среза, выключите газонокосилку и отсоедините провод зажигания.
2. Центральный рычаг регулировки высоты имеет 8 различных положений. (Рис. 34)

Чтобы изменить высоту среза, отожмите рычаг регулировки в сторону колеса и переместите вверх или вниз в положение требуемой высоты.

8. ИНСТРУКЦИИ ПО УХОДУ

СВЕЧА ЗАЖИГАНИЯ

Используйте только оригинальные свечи зажигания. Для максимально эффективной работы заменяйте свечу зажигания через каждые 100 часов эксплуатации.

9. ИНСТРУКЦИИ ПО СМАЗКЕ



ПРЕДУПРЕЖДЕНИЕ: ПЕРЕД НАЧАЛОМ ОБСЛУЖИВАНИЯ ОТСОЕДИНИТЕ СВЕЧУ ЗАЖИГАНИЯ.

1. КОЛЕСА - Смазывайте подшипники каждого колеса светлым маслом не реже одного раза в сезон.
2. ДВИГАТЕЛЬ - Следуйте указаниям по смазке, приведенным в руководстве по эксплуатации двигателя.

10. ОЧИСТКА



ПРЕДУПРЕЖДЕНИЕ: Не мойте двигатель из шланга. Вода может повредить двигатель или проникнуть в топливную систему.

1. Протирайте основание сухой тканью.
2. Промывайте днище основания, наклонив газонокосилку так, чтобы свеча зажигания была вверх.

10-1 ВОЗДУШНЫЙ ФИЛЬТР ДВИГАТЕЛЯ



ПРЕДУПРЕЖДЕНИЕ: Не допускайте засорения сменного элемента воздушного фильтра грязью и пылью. Сменный элемент воздушного фильтра двигателя следует обслуживать (прочистить) через каждые 25 часов нормальной эксплуатации. Элемент из пеноматериала необходимо регулярно обслуживать, если газонокосилка используется в сухих пыльных условиях.

ОЧИСТКА ВОЗДУШНОГО ФИЛЬТРА

1. Выкрутите винт. (**Рис. 35** для PLM4632 и PLM5130)
2. Снимите рукоятку блокировки. (**Рис. 36** для PLM4630 и PLM4631)
3. Снимите крышку фильтра.
4. Прмойте элемент воздушного фильтра водой с мылом. **НЕ ИСПОЛЬЗОВАТЬ БЕНЗИН!**
5. Просушите воздушный фильтр сжатым воздухом.
6. Капните несколько капель масла SAE30 на элемент из вспененного материала и слегка сожмите, чтобы удалить излишек масла.
7. Установите фильтр на место.

ПРИМЕЧАНИЕ: Если фильтр изношен, порван, поврежден или не поддается чистке, его следует заменить.

10-2 НОЖ



ПРЕДУПРЕЖДЕНИЕ: Чтобы не допустить случайного пуска двигателя, обязательно отсоединяйте и заземляйте провод зажигания, прежде чем приступать к обслуживанию ножа. Если нужно взяться за нож, надевайте толстые перчатки или используйте обрезки ткани. Наклоните газонокосилку, как указано в отдельном руководстве по эксплуатации двигателя. Извлеките шестигранный болт с шайбой, которые удерживают нож с адаптером на коленвале двигателя. Отсоедините нож и адаптер от коленвала.



ПРЕДОСТЕРЕЖЕНИЕ: Периодически осматривайте адаптер ножа на предмет трещин, особенно в случае удара о посторонний предмет. При необходимости замените.

Для обеспечения максимально эффективной работы нож должен быть острым. Для заточки ножа его необходимо снять и использовать шлифовальный круг либо напильник для придания ножу формы, как можно более близкой к первоначальной. Очень важно, чтобы режущие края были заточены одинаково, чтобы предотвратить нарушение балансировки ножа. Неправильная балансировка приведет к повышенной вибрации, что станет причиной повреждения двигателя и газонокосилки. Обязательно выполняйте балансировку ножа после заточки. Балансировку ножа можно проверить с помощью отвертки, используемой в качестве оси. Снимайте металл с более тяжелой стороны ножа, пока не добьетесь равномерной балансировки. (**Рис. 37**)

Перед установкой ножа и адаптера на газонокосилку смажьте коленвал двигателя и внутренние поверхности адаптера светлым маслом. Установите адаптер ножа на коленвал. См. **Рис. 37**. Установите нож стороной с номером детали от адаптера. Установите шайбу на нож и вставьте шестигранный болт. Затяните болт усилием, указанным ниже.

10-3 МОМЕНТ ЗАТЯЖКИ НОЖА

Центральный болт 40 Нм - 50 Нм, для обеспечения безопасной эксплуатации устройства. Необходимо периодически проверять надежность затяжки всех гаек и болтов.

После длительного использования, особенно в местностях с песчаной почвой, нож изнашивается и теряет первоначальную форму. Эффективность резки снижается, и нож следует заменить. В качестве замены используйте только ножи заводского производства и рекомендованных марок. Изготовитель не несет ответственность за повреждения, вызванные использованием ножей с неправильной балансировкой.

При замене ножа необходимо использовать оригинальные детали с маркировкой на лезвии (MAKITA 263001451 для PLM4630/PLM4631/PLM4632, MAKITA 263002552 для PLM5130) (информацию о других ножах можно получить у местного дилера или в нашей компании, см. на обложке).

10-4 ДВИГАТЕЛЬ

Инструкции по уходу за двигателем см. в отдельном руководстве по эксплуатации двигателя.

Замену масла выполняйте в соответствии с указаниями в отдельном руководстве по эксплуатации двигателя, которое входит в комплект поставки вашего устройства. Внимательно прочитайте инструкции и точно выполняйте все указания.

Обслуживайте воздушный фильтр согласно указаниям в отдельном руководстве по эксплуатации двигателя при нормальных условиях.

При эксплуатации в условиях сильного запыления очищайте через каждые несколько часов работы. Падение мощности двигателя и перелив топлива обычно указывают на необходимость очистки воздушного фильтра.

Указания по обслуживанию воздушного фильтра см. в отдельном руководстве по эксплуатации двигателя, которое входит в комплект поставки вашего устройства.

Свечу зажигания следует очищать и регулировать зазор электродов один раз в сезон. Рекомендуется заменять свечу зажигания в начале каждого сезона; тип свечи и зазор электродов см. в руководстве по эксплуатации двигателя.

Регулярно чистите двигатель тканью или щеткой.

Поддерживайте чистоту системы охлаждения (область корпуса вентилятора) для надлежащей циркуляции воздуха. Это обеспечит нормальную работу и продлит срок службы двигателя.

Обязательно удаляйте траву, грязь и горючий мусор из области глушителя.

11. УКАЗАНИЯ ПО ХРАНЕНИЮ (МЕЖДУ СЕЗОНАМИ)

Для подготовки газонокосилки к длительному хранению выполните следующее.

1. Опорожните бак после окончания сезона садовых работ.
 - a) Слейте бензин из бака с помощью насоса.



ПРЕДУПРЕЖДЕНИЕ: Не сливайте бензин в закрытых помещениях, вблизи от открытого огня и т.п. Не курить! Пары бензина могут вызвать взрыв или возгорание.

- b) Запустите двигатель и дайте ему поработать до тех пор, пока он не выработает остатки топлива и не заглохнет.
 - c) Снимите свечу зажигания. Залейте примерно 20 мл масла в камеру сгорания. Поработайте стартером, чтобы равномерно распределить масло по камере сгорания. Установите на место свечу зажигания.
2. Тщательно очистите и смажьте газонокосилку как описано выше в разделе "ИНСТРУКЦИИ ПО СМАЗКЕ".
 3. Слегка смажьте нож, чтобы предотвратить его коррозию.
 4. Храните газонокосилку в сухом, чистом, защищенном от морозов месте, вне досягаемости посторонних лиц.



ПРЕДУПРЕЖДЕНИЕ: Перед помещением газонокосилки на хранение двигатель должен полностью остыть.



ПРИМЕЧАНИЕ:

- В случае хранения любого оборудования с силовой установкой в непроветриваемом помещении или на складе материалов.
- необходимо принять меры для предотвращения коррозии и ржавчины. Нанесите на оборудование светлое масло или силиконовое масло, особенно на кабели и все подвижные части.
- Не перегибайте и не перекручивайте кабели.
- Если трос стартера отсоединится от направляющей на рукоятке, отсоедините и заземлите провод зажигания, нажмите на рукоятку управления ножом и медленно вытяните трос стартера из двигателя. Наденьте трос стартера на болт направляющей троса на рукоятке.

Транспортировка

Выключите двигатель. Не допускайте деформации и повреждения ножа при наезде газонокосилки на препятствия.

12. ПОИСК И УСТРАНЕНИЕ НЕИСПРАВНОСТЕЙ

ПРОБЛЕМА	ВОЗМОЖНАЯ ПРИЧИНА	СПОСОБ УСТРАНЕНИЯ
Двигатель не запускается.	Неправильное положение воздушной заслонки для данных условий.	Установите воздушную заслонку в правильное положение.
	Топливный бак пуст.	Залейте топливо в бак: см. РУКОВОДСТВО ПО ЭКСПЛУАТАЦИИ ДВИГАТЕЛЯ.
	Загрязнен фильтрующий элемент воздушного фильтра.	Очистите воздушный фильтр: см. РУКОВОДСТВО ПО ЭКСПЛУАТАЦИИ ДВИГАТЕЛЯ.
	Не затянута свеча зажигания.	Затяните свечу зажигания усилием 25 - 30 Нм.
	Не закреплен или отсоединен провод зажигания.	Установите провод зажигания на свечу.
	Неправильный зазор электродов свечи зажигания.	Установите зазор между электродами свечи 0,7 - 0,8 мм.
	Неисправна свеча зажигания.	Установите новую свечу с правильным зазором электродов: см. РУКОВОДСТВО ПО ЭКСПЛУАТАЦИИ ДВИГАТЕЛЯ.
	Перелив топлива в карбюратор.	Снимите фильтрующий элемент воздушного фильтра и вытягивайте трос стартера до тех пор, пока из карбюратора не сольется излишек топлива, после чего установите воздушный фильтр на место.
Затруднения с пуском двигателя или потеря мощности двигателя.	Неисправен модуль зажигания.	Обратитесь в сервисную службу.
	Грязь, вода в топливе или старое топливо.	Слейте топливо и очистите бак. Залейте в бак чистое, свежее топливо.
	Засорено вентиляционное отверстие в крышке топливном баке.	Очистите или замените крышку топливного бака.
Неустойчивая работа двигателя.	Загрязнен фильтрующий элемент воздушного фильтра.	Очистите воздушный фильтр.
	Неисправна свеча зажигания.	Установите новую свечу с правильным зазором электродов: см. РУКОВОДСТВО ПО ЭКСПЛУАТАЦИИ ДВИГАТЕЛЯ.
	Неправильный зазор электродов свечи зажигания.	Установите зазор между электродами свечи 0,7 - 0,8 мм.
Неустойчивая работа двигателя на холостых оборотах.	Загрязнен фильтрующий элемент воздушного фильтра.	Очистите воздушный фильтр: см. РУКОВОДСТВО ПО ЭКСПЛУАТАЦИИ ДВИГАТЕЛЯ.
	Заблокированы вентиляционные щели в кожухе двигателя.	Удалите мусор из щелей.
	Засорены ребра теплоотвода и воздушные каналы под корпусом вентилятора.	Удалите мусор из ребер теплоотвода и воздушных каналов.
Перебои в работе двигателя на высоких оборотах.	Недостаточный зазор между электродами свечи зажигания.	Установите зазор между электродами свечи 0,7 - 0,8 мм.
Перегрев двигателя.	Недостаточный поток воздуха охлаждения.	Удалите мусор из щелей кожуха, корпуса вентилятора и воздушных каналов.
	Свеча зажигания неверного типа.	Для PLM4630/PLM4631: Установите свечу зажигания RJ19LMC и ребра теплоотвода. Для PLM4632/PLM5130: Установите свечу зажигания QC12YC и ребра теплоотвода.
Сильная вибрация газнокосилки.	Не закреплен режущий блок.	Затяните крепление ножа.
	Нарушена балансировка режущего блока.	Выполните балансировку ножа.

13. ОКРУЖАЮЩАЯ СРЕДА

Если срок эксплуатации газонокосилки истек и ее требуется заменить, не выбрасывайте ее вместе с бытовыми отходами. Утилизируйте ее безопасным для окружающей среды способом.

Только для европейских стран

Декларация о соответствии ЕС

Makita Corporation, являясь ответственным производителем, заявляет, что следующие устройства Makita:

Обозначение устройства: Бензогазонокосилка
№ модели/тип: PLM4630, PLM4631, PLM4632, PLM5130

Технические характеристики: См. раздел "4. ТЕХНИЧЕСКИЕ ДАННЫЕ" являются серийными изделиями и

соответствуют следующим директивам ЕС:

2004/108/ЕС, 2006/42/ЕС,
2000/14/ЕС и 2005/88/ЕС

И изготовлены в соответствии со следующими стандартами или нормативными документами:
EN 836, EN ISO 14982

Техническая документация хранится по адресу:

Makita International Europe Ltd.,
Technical Department,
Michigan Drive, Tongwell,
Milton Keynes, Bucks MK15 8JD, England

Процедура оценки соответствия согласно директиве 2000/14/ЕС была проведена в соответствии с приложением VI.

Уполномоченный орган:

TÜV SÜD Industrie Service GmbH
Westendstraße 199, D-80686 München
Идентификационный номер: 0036

Модель: PLM4630, PLM4631

Измеренный уровень звуковой мощности:
94,2 дБ (А)

Гарантированный уровень звуковой мощности:
96 дБ (А)

Модель: PLM4632

Измеренный уровень звуковой мощности:
94,3 дБ (А)

Гарантированный уровень звуковой мощности:
96 дБ (А)

Модель: PLM5130

Измеренный уровень звуковой мощности:
95,9 дБ (А)

Гарантированный уровень звуковой мощности:
98 дБ (А)

30. 11. 2012



Tomoyasu Kato (Томояшу Като)

Директор

Makita Corporation

3-11-8, Sumiyoshi-cho,

Anjo, Aichi, 446-8502, JAPAN

Пояснення загального вигляду

- | | | |
|--------------------------------------|---|---|
| 1. Ручка керування гальмами | 12. Бокова відкидна заслінка | 23. Шайба |
| 2. Верхня ручка | 13. Корпус | 24. Фіксуюча рукоятка |
| 3. Ручка керування самостійним рухом | 14. Свічка запалювання | 25. Контрграйка |
| 4. Важіль дроселювання | 15. Кришка отвору для заливання мастила | 26. Механізм налаштування кута |
| 5. Ручка стартера | 16. Кришка паливного баку | 27. Кнопка |
| 6. Фіксатор пускового шнура | 17. Затискач для кріплення кабелю | 28. Кришка отвору для заливання мастила/стрижневий покажчик рівня |
| 7. Важіль блокування | 18. Кільце для фіксування кабелю | 29. Макс.: верхня позначка |
| 8. Нижня ручка | 19. Важіль регулювання швидкості | 30. Мін.: нижня позначка |
| 9. Травозбірник | 20. Мульчувальний клин | 31. Гвинт |
| 10. Важіль регулювання висоти | 21. Індикатор рівня | |
| 11. Канал для бокового викиду | 22. Болт | |



УВАГА:

Для забезпечення Вашої особистої безпеки перед початком роботи з інструментом, будь ласка, прочитайте ці інструкції з експлуатації. Недотримання цих інструкцій може призвести до серйозних травм. Протягом декількох хвилин оглядайте газонокосарку перед кожним використанням.



Перед проведенням ремонту, будь ласка, знімайте свічку запалювання, а потім здійсніть ремонт згідно з інструкцією.



Застереження: двигун гарячий.

1. МАРКУВАННЯ НА ВИРОБИ



Прочитайте інструкції з експлуатації.



Тримайте дистанцію від сторонніх людей.



Під час роботи слідкуйте за руками і ногами, щоб запобігти травмам.



Пальне вогнебезпечно, тому тримайтеся подалі від вогню. Не заливайте пальне у працюючий інструмент.



Отруйні гази: не використовуйте інструмент у приміщенні.



Перед використанням газонокосарки надягайте окуляри і вставляйте у вуха беруші.

2. ЗАГАЛЬНІ ПРАВИЛА БЕЗПЕКИ



УВАГА: Щоб зменшити ризик серйозного травмування та/або пошкодження інструмента, під час використання бензинових інструментів необхідно завжди дотримуватись основних правил техніки безпеки, включаючи нижченаведені положення. Перед початком роботи з цим інструментом прочитайте усі інструкції і збережіть їх для подальшого використання.



УВАГА: Під час роботи цей інструмент утворює електромагнітне поле. За певних обставин це поле може впливати на активні або пасивні медичні імплантати. Щоб зменшити ризик отримання серйозних та смертельних тілесних ушкоджень, ми рекомендуємо особам із медичними імплантатами перед використанням цього інструмента звернутися до лікаря та виробника медичних імплантатів.

Інструтаж користувача

- Уважно прочитайте інструкції з експлуатації. Ознайомтеся зі всіма елементами керування інструмента, а також із правилами його належного використання.
- Ніколи не дозволяйте користуватися газонокосаркою дітям та особам, не ознайомленим із цими інструкціями. Місцеві норми можуть обмежувати віковий поріг оператора.
- Ніколи не використовуйте газонокосарку, коли поблизу знаходяться інші люди, особливо діти або домашні тварини.

- Пам'ятайте, що оператор або користувач несе відповідальність за нещасні випадки та створення небезпечних ситуацій, що можуть зашкодити іншим людям та їхньому майну.

Підготовка

- Перед використанням газонокосарки завжди надягайте міцне взуття та довгі штани. Забороняється використовувати інструмент босоніж або у відкритому взутті.
- Уважно обстежуйте робочу ділянку, на якій Ви збираєтеся використовувати інструмент, і видаляйте усі речі, які можуть бути ним відкинуті.
- **УВАГА:** Бензин є легкозаймистою речовиною.
 - зберігайте пальне у спеціально призначених контейнерах;
 - заливайте пальне тільки поза приміщенням і не паліть у цей час;
 - доливайте пальне перед запуском двигуна. Ніколи не знімайте кришку паливного баку і не доливайте бензин під час роботи двигуна або коли двигун гарячий;
 - якщо бензин пролився, не намагайтеся запустити двигун, а перемістіть інструмент подалі від цього місця і не створюйте джерела займання, доки випари бензину не розвіються;
 - надійно закручіть кришку паливного баку і кришку паливного контейнера.
- Замінійте несправні глушники.
- Перед використанням інструмента завжди візуально перевіряйте, щоб ріжуче полотно, болти і деталі ріжучої частини не були зношені або пошкоджені. Замінійте разом зношені або пошкоджені ріжучі полотна і болти, щоб зберегти балансуння.

Робота

- Не використовуйте інструмент в обмеженому просторі, де може збиратися небезпечний чадний газ.
- Використовуйте газонокосарку тільки за умов денного світла або при яскравому штучному освітленні.
- За можливості уникайте роботи у мокрій траві.
- Завжди впевнено стійте на похилі поверхнях.
- Ходіть, ніколи не біжіть.
- Під час використання інструментів на колесах пересувайте їх поперек похилої поверхні, а не вгору та вниз.
- Будьте надзвичайно уважними, коли Ви змінюєте напрямку руху інструмента на похилій поверхні.
- Не використовуйте газонокосарку на дуже крутих схилах.
- Будьте надзвичайно уважними, коли Ви розвертаєте газонокосарку або тянете її на себе.
- Зупиняйте ріжуче(-і) полотно(-а), якщо потрібно нахилити газонокосарку та перенести через ділянку, де не росте газон, або з однієї робочої ділянки на іншу.
- Ніколи не використовуйте газонокосарку із пошкодженими захисними кожухами або без інших захисних пристроїв, наприклад відбивачів та/або травозбірника.

- Не змінюйте налаштування регулятора обертів двигуна і не перевищуйте допустиму швидкість двигуна.
- Перед запуском двигуна розблокуйте усі ріжучі полотна та обертальні частини приводного вузла.
- Обережно запускайте двигун згідно з наведеними інструкціями, тримаючи ноги подалі від ріжучого(-их) полотна(-ен).
- Не нахилайте газонокосарку під час запуску двигуна.
- Під час запуску двигуна не стійте напроти жолоба викиду.
- Не наближайте руки та ноги до частин, що обертаються. Завжди тримайтеся на відстані від отвору викиду.
- Ніколи не піднімайте і не переносьте газонокосарку під час роботи двигуна.
- Завжди зупиняйте двигун і від'єднуйте дрід свічки запалювання та перевіряйте, щоб усі рухомі частини повністю зупинилися, а також витягуйте ключ, якщо він використовувався:
 - перед усуненням блокування або видаленням заміщення із жолоба;
 - перед перевіркою та очищенням газонокосарки або проведенням робіт на ній;
 - після зіткнення зі сторонніми предметами. Огляньте газонокосарку на наявність пошкоджень, виконайте необхідний ремонт та тільки після цього запустіть інструмент та продовжуйте роботу;
 - якщо газонокосарка починає незвично вібрувати (слід негайно перевірити).
- Завжди зупиняйте двигун і від'єднуйте дрід свічки запалювання та перевіряйте, щоб усі рухомі частини повністю зупинилися, а також витягуйте ключ, якщо він використовувався:
 - коли Ви залишаєте газонокосарку;
 - перед дозаправленням паливом.
- Зменшуйте рівень подачі пального під час зупинення двигуна і, якщо двигун оснащений відсічним клапаном, вимикайте подачу пального наприкінці роботи.


Технічне обслуговування та зберігання

- Щоб гарантувати безпечну роботу інструмента, перевіряйте надійність затягування всіх гайок, болтів та гвинтів.
- Якщо у баку інструмента залишається бензин, не зберігайте інструмент у приміщенні, де випаровування бензину можуть дістатися до відкритого вогню або іскри.
- Перед зберіганням у закритому просторі зачекайте, доки двигун охолоне.
- Щоб зменшити ризик займання, слідкуйте, щоб у двигуні, глушнику, акумуляторному відсіку та у місці зберігання пального не було трави, листя або надлишку мастила.
- Регулярно перевіряйте травозбірник на наявність ознак зношення або пошкодження.
- Щоб забезпечити безпечне використання інструмента, замініть зношені або пошкоджені деталі.
- Зливати пальне з паливного баку слід поза приміщенням.

3. ОПИС ЧАСТИН (Мал. 1, Мал. 2, Мал. 3, Мал. 4)

Включаючи
А: Свічний ключ

 **УВАГА:** Не торкайтеся ріжучого полотна, що обертається.

 **УВАГА:** Заливайте паливе, коли двигун зупинений, і робіть це у місці, яке добре провітрюється.

4. ТЕХНІЧНІ ДАНІ

Модель	PLM4630	PLM4631	PLM4632	PLM5130
Тип двигуна	Серія B&S 675EX, ReadyStart	Серія B&S 675EX, ReadyStart	Серія B&S 750EX, ReadyStart	Серія B&S 750EX, ReadyStart
Самохідність	Ні	Так	Так	Так
Робочий об'єм двигуна	190 см ³	190 см ³	161 см ³	161 см ³
Ширина ріжучого полотна	460 мм	460 мм	460 мм	510 мм
Номинальна швидкість	2800 об/хв	2800 об/хв	2800 об/хв	2800 об/хв
Об'єм паливного баку	1,0 л	1,0 л	1,0 л	1,0 л
Об'єм мастильного баку	0,6 л	0,6 л	0,6 л	0,6 л
Об'єм травозбірника	60 л	60 л	60 л	65 л
Вага нетто	31,5 кг	34 кг	35 кг	38 кг
Регулювання висоти	20-75 мм, 8 положень	20-75 мм, 8 положень	20-75 мм, 8 положень	20-75 мм, 8 положень

	PLM4630	PLM4631	PLM4632	PLM5130
Гарантований рівень звукового тиску у місці роботи оператора (відповідно до EN ISO 3744, EN ISO 4871)	83,5 дБ (А) (К=3 дБ (А))	83,5 дБ (А) (К=3 дБ (А))	83,9 дБ (А) (К=3 дБ (А))	85,7 дБ (А) (К=3 дБ (А))
Вимірний рівень акустичної потужності	94,2 дБ (А) К=1,95 дБ (А)	94,2 дБ (А) К=1,95 дБ (А)	94,3 дБ (А) К=1,80 дБ (А)	95,9 дБ (А) К=2,16 дБ (А)
Гарантований рівень акустичної потужності (відповідно до 2000/14/EC)	96 дБ (А)	96 дБ (А)	96 дБ (А)	98 дБ (А)
Вібрація (відповідно до EN ISO 20643)	6,58 м/с ² К=1,5 м/с ²	6,58 м/с ² К=1,5 м/с ²	7,12 м/с ² К=1,5 м/с ²	6,53 м/с ² К=1,5 м/с ²

5. ЗБИРАННЯ

5-1 ЗБИРАННЯ СКЛАДАНОЇ РУЧКИ

- Зафіксуйте нижні частини ручки у кріпленнях для ручки за допомогою болтів, шайб та фіксуючих рукояток. (Мал. 5)
- Підніміть два важелі блокування, щоб з'єднати верхню та нижню ручки. (Мал. 6)
- Натисніть на важіль блокування та закрийте його, щоб зафіксувати ручки у робочому положенні. (Мал. 7)
- Налаштуйте натяг, повертаючи контргайку за допомогою відповідного гайкового ключа. (Мал. 8)
- Розташуйте кабель над штангою ручки. Закріпіть кабель на рівні середини нижньої частини ручки за допомогою затискача для кріплення кабелю та переконайтеся, що він зафіксований із зовнішнього боку ручки. (Мал. 9, Мал. 10) Інакше кабель може бути затиснутий задньою кришкою під час її відкривання/закривання.

5-2 НАЛАШТУВАННЯ ПОТРІБНОГО КУТА

- Потягніть за важіль блокування та відкрийте його.
- Повертаючи верхню ручку, розташовану по центру відносно механізму налаштування кута, оберіть потрібний кут у межах діапазону від -15° до 15° (3 положення: -15°/0°/15°), як показано на Мал. 11.
- Натисніть на важіль блокування та закрийте його, щоб з'єднати нижню та верхню ручки.

5-3 УСТАНОВЛЕННЯ ТА ЗНІМАННЯ ТРАВОЗБІРНИКА

- Щоб установити травозбірник: підніміть задню кришку та прикріпіть травозбірник до задньої частини газонокосарки. (Мал. 12, Мал. 13, Мал. 14)
- Щоб зняти травозбірник: візьміться за задню кришку та підніміть її, після чого зніміть травозбірник.

5-4 РУЧКА СТАРТЕРА

Перемістіть ручку стартера від двигуна до фіксатора пускового шнура. (Мал. 15)

5-5 ВИСОТА СКОШУВАННЯ

Натисніть на важіль, щоб витягнути його із зубчастої рейки. Щоб відрегулювати висоту, пересуньте важіль вперед або назад. (Мал. 16 та див. пункт 7–9)

6. ФУНКЦІЇ

Залежно від мети використання ці газонокосарки можуть бути модифіковані у порівнянні з їхніми стандартними функціями:

Газонокосарку із заднім збиранням можна використовувати як:

1. мульчувальну газонокосарку або як
2. газонокосарку із боковим викидом.

Що таке мульчування?

Під час мульчування трава спочатку скошується, а потім подрібнюється і скидається на скошену смужку як природне добриво.

Поради з мульчування:

- Регулярно здійснюйте повторне скошування та зменшіть висоту трави макс. на 2 см – з 6 см до 4 см.
- Ніж повинен бути гострим.
- Не скошуйте мокру траву.
- Установлюйте двигун на максимальну швидкість.
- Пересувайте газонокосарку лише зі швидкістю ходьби.
- Регулярно чистьте мульчувальний клин, внутрішню сторону корпусу та ріжуче полотно.

Початок роботи

6-1 Трансформування у мульчувальну газонокосарку



УВАГА: Тільки за умов, коли двигун і ріжуче полотно повністю зупинені.

1. Підніміть задню кришку та зніміть травозбірник.
2. Установіть у корпус мульчувальний клин. Закріпіть мульчувальний клин за допомогою кнопки в отворі на корпусі. (Мал. 17, Мал. 18)
3. Знову опустіть задню кришку. (Мал. 19)
4. Підніміть бокову відкидну заслінку та зніміть канал для бокового викиду.

6-2 Підготовка газонокосарки до роботи із боковим викидом



Тільки за умов, коли двигун і ріжуче полотно повністю зупинені!

1. Підніміть задню кришку та зніміть травозбірник.
2. Установіть мульчувальний клин.
3. Підніміть бокову відкидну заслінку для бокового викиду. (Мал. 20)
4. Приєднайте канал для бокового викиду до опорного пальця бокової відкидної заслінки. (Мал. 21)

5. Опустіть бокову відкидну заслінку – заслінка розташовується на каналі для бокового викиду. (Мал. 22)

6-3 Використання газонокосарки із травозбірником



Тільки за умов, коли двигун і ріжуче полотно повністю зупинені.

Для використання газонокосарки із травозбірником зніміть мульчувальний клин і канал для бокового викиду та установіть травозбірник.

1. Знімання мульчувального клину.
 - Підніміть задню кришку та зніміть мульчувальний клин.
2. Знімання каналу для бокового викиду.
 - Підніміть бокову відкидну заслінку та зніміть канал для бокового викиду.
 - Бокова відкидна заслінка автоматично закрий отвір викиду на корпусі завдяки зусиллю пружини.
 - Регулярно чистьте бокову відкидну заслінку і отвір викиду від залишків трави і налиплиго бруду.
3. Установлення травозбірника.
 - Щоб установити травозбірник: Підніміть задню кришку та прикріпіть травозбірник до задньої частини газонокосарки.
 - Щоб зняти травозбірник: Візьміться за задню кришку та підніміть її, після чого зніміть травозбірник.

7. ІНСТРУКЦІЇ З ЕКСПЛУАТАЦІЇ

7-1 ПЕРЕД ЗАПУСКОМ

Заправляйте двигун бензином і мастилом, як вказано в окремій інструкції з експлуатації двигуна, що входить до комплекту Вашої газонокосарки. Уважно прочитайте інструкції з експлуатації. (Мал. 23, Мал. 24, Мал. 25, Мал. 26)



УВАГА: Бензин є легкозаймистою речовиною.

Зберігайте паливе у спеціально призначених контейнерах.
Зливайте паливе тільки поза приміщенням та перед запуском двигуна; не паліть під час заправляння та під час роботи з паливом.

Ніколи не знімайте кришку паливного баку і не доливайте бензин під час роботи двигуна або коли двигун гарячий.

Якщо бензин пролився, не намагайтеся запустити двигун, а перемістіть інструмент подалі від цього місця і не створюйте джерела займання, доки випари бензину не розвіються.

Надійно закручіть кришку паливного баку і кришку паливного контейнера.

Перед тим як перевернути газонокосарку, щоб провести роботи на ріжучому полотні або злити мастило, зливайте паливе з баку.



УВАГА: Ніколи не заливайте пальне у паливний бак у приміщенні, а також коли двигун працює або впродовж хоча б 15 хвилин після його роботи.

7-2 ЗАПУСК ДВИГУНА І РОБОТА РІЖУЧОГО ПОЛОТНА

1. На кінці свічки запалювання є гумова частина; переконайтеся, що металева петля на кінці дроту свічки запалювання (усередині гумової частини) надійно зчеплена із металевим кінчиком свічки запалювання.
2. Під час запуску охолодженого двигуна пересуньте важіль дроселювання у положення "☁". У раз запуску і роботи теплого двигуна пересуньте важіль дроселювання у положення "☁". **(Мал. 27)**
3. Станьте позаду пристрою, візьміться за ручку керування гальмами і притисніть її до верхньої ручки, як показано на **Мал. 28**.
4. Візьміться за ручку стартера, як показано на малюнку **Мал. 28**, та різко потягніть її. Після запуску двигуна повільно поверніть її до болта фіксатора пускового шнура.

Щоб зупинити двигун і ріжуче полотно, відпустіть ручку керування гальмами.



Обережно запустіть двигун згідно з наведеними інструкціями, тримаючи ноги подалі від ріжучого полотна.



Не нахилийте газонокосарку під час запуску двигуна. Запускайте газонокосарку на рівній поверхні без високої трави та будь-яких перешкод.



Руки і ноги слід тримати осторонь від частин, що обертаються. Під час запуску двигуна не стійте навпроти отвору викиду.

7-3 ПРОЦЕДУРА ЕКСПЛУАТАЦІЇ

Під час роботи міцно тримайте ручку керування гальмами обома руками.

Примітка: Якщо під час роботи відпустити ручку керування гальмами, двигун зупиниться та газонокосарка припинить працювати.

7-4 ЗУПИНЕННЯ ДВИГУНА



ЗАСТЕРЕЖЕННЯ: Після зупинення двигуна ріжуче полотно продовжуватиме обертатися декілька секунд.

1. Щоб зупинити двигун і ріжуче полотно, відпустіть ручку керування гальмами. **(Мал. 29)**
2. Щоб попередити випадковий запуск двигуна, коли інструмент залишається без нагляду, від'єднайте дріт свічки запалювання та покладіть його на землю, як вказано в окремій інструкції з експлуатації двигуна.

7-5 НАЛАШТУВАННЯ САМОСТІЙНОГО РУХУ

Для PLM4631

Потягніть ручку керування самостійним рухом, і газонокосарка почне автоматично рухатися вперед зі швидкістю приблизно 3,6 км/год **(Мал. 30)**; відпустіть ручку керування самостійним рухом, і газонокосарка зупиниться.

Для PLM4632, PLM5130

Газонокосарку оснащено системою регулювання швидкості, яка дозволяє вибрати 3 швидкості від 3,0 км/год до 4,5 км/год.

Положення "☁": найнижча швидкість; положення "☁☁": найвища швидкість. **(Мал. 31)**

Щоб налаштувати потрібну швидкість, виконайте такі кроки:

1. Відпустіть ручку керування самостійним рухом, щоб газонокосарка перестала рухатися уперед.
2. Налаштуйте потрібну швидкість. **(Мал. 31)**
3. Вижміть ручку керування самостійним рухом, щоб продовжити скошування. **(Мал. 30)**



ЗАСТЕРЕЖЕННЯ: Ваша газонокосарка призначена для скошування газонної трави висотою не вище 250 мм.

Не намагайтеся скошувати дуже високу суху чи мокру траву (наприклад, на лузі) або збирати купи сухого листя. Залишки можуть накопичуватися на корпусі газонокосарки або потрапити до вихлопного отвору двигуна, що може призвести до пожежі.

7-6 ПОРАДИ ЩОДО ЕФЕКТИВНОГО СКОШУВАННЯ

Очистіть газон від сміття. Перевірте, щоб на газоні не було каміння, гілок, дротів ті інших сторонніх предметів, які газонокосарка може відкинути у будь-якому напрямку і які можуть травмувати оператора та інших людей, а також зашкодити майну й навколишньому оточенню. Не скошуйте мокру траву. Щоб робота була ефективною, не скошуйте мокру траву, тому що вона налипає на дно корпусу та заважає належному скошуванню. Скошуйте траву не більше, ніж на 1/3 її довжини. Скошувати траву рекомендується не більше, ніж на 1/3 довжини. Слід належним чином відрегулювати швидкість пересування, щоб настриг рівномірно розсіювався газonom. Для особливо важкого скошування густої трави краще працювати на низькій швидкості, щоб трава на ділянці була рівномірно скошена. Високу траву краще скошувати за два рази, опустивши під час другого скошування ріжуче полотно ще на 1/3 висоти й змінивши напрям пересування. Під час кожного наступного прогону частково перекривайте попередній прогін, щоб на газоні не залишилось окремих бадилин трави. Газонокосарка повинна завжди працювати із максимальною подачею пального, щоб скошування було максимально ефективним. Чистьте дно корпусу. Після кожного використання чистьте дно корпусу, щоб уникнути налипання трави, яке може стати причиною неякісного мультчування. Збирання листя. Можливо, у Вас також з'явиться необхідність зібрати листя на газоні. Перед збиранням листя переконайтеся, що

воно сухе та лежить не занадто товстим шаром. Не чекайте, доки опадє все листя з дерев.



УВАГА: Якщо газонокосарка зачепить сторонній предмет, зупиняйте двигун. Від'єднує дріт від свічки запалювання, уважно обстежуйте газонокосарку на наявність пошкоджень та лагодьте її перед наступним використанням. Сильна вібрація під час роботи газонокосарки є ознакою її пошкодження. Пристрій слід негайно обстежити й полагодити.

7-7 ТРАВАЗБІРНИК

У верхній частині травозбірника знаходиться індикатор рівня, який відображає, наскільки заповнений травозбірник (**Мал. 32, Мал. 33**):

- Під час роботи з газонокосаркою значення, яке відображає індикатор рівня, є високим, якщо травозбірник незаповнений. (**Мал. 33**)
- Коли травозбірник заповнений, індикатор вказує на нуль; за такої індикації слід негайно зупинити роботу із газонокосаркою та спорожнити травозбірник; слід також переконатися, що він чистий та його сітчаста структура вентиляється. (**Мал. 32**)

ВАЖЛИВО

Якщо отвір індикатора є дуже забрудненим, індикатор не відображатиме належне значення; у цьому випадку негайно прочистіть отвір індикатора.

7-8 КОРПУС

Чистьте дно корпусу після кожного використання газонокосарки, щоб запобігти налипанню трави, листя, бруду тощо. Накопичення таких залишків призведе до появи іржі та корозії, а також завадить належному мультчуванню. Корпус можна почистити, перевернувши газонокосарку і відскоблївши дно придатним для цього інструментом (перевірте, щоб дріт свічки запалювання був від'єднаний).

7-9 ІНСТРУКЦІЇ ЩОДО НАЛАШТУВАННЯ ВИСОТИ



ЗАСТЕРЕЖЕННЯ: Категорично забороняється виконувати будь-які налаштування газонокосарки, не зупинивши двигун та не від'єднавши дріт свічки запалювання.



ЗАСТЕРЕЖЕННЯ: Перед зміною висоти скошування зупиняйте газонокосарку та від'єднує дріт свічки запалювання.

Ваша газонокосарка оснащена центральним важелем регулювання висоти, за допомогою якого Ви можете обрати будь-яке із 8 положень. Висоту (відстань від ріжучого полотна до землі) можна встановити від 20 мм до 75 мм (8 положень). (**Мал. 34**) Найнижче положення: 20 мм (положення 1), найвище положення: 75 мм (положення 8).

1. Перед зміною висоти скошування зупиніть газонокосарку та від'єднайте дріт свічки запалювання.

2. За допомогою важеля регулювання висоти Ви можете обрати будь-яке із 8 положень. (**Мал. 34**) Щоб змінити висоту скошування, натисніть на важіль регулювання у напрямку колеса та оберіть потрібну висоту, пересуваючи його вгору або вниз.

8. ІНСТРУКЦІЇ ЩОДО ТЕХНІЧНОГО ОБСЛУГОВУВАННЯ

СВІЧКА ЗАПАЛЮВАННЯ

Для заміни використовуйте тільки оригінальні свічки запалювання. Для отримання найкращих результатів заміняйте свічку запалювання через кожні 100 годин роботи.

9. ІНСТРУКЦІЇ ЩОДО ЗМАЩУВАННЯ



ЗАСТЕРЕЖЕННЯ: ПЕРЕД ПРОВЕДЕННЯМ РОБІТ ІЗ ТЕХНІЧНОГО ОБСЛУГОВУВАННЯ ВІД'ЄДНУЄ СВІЧКУ ЗАПАЛЮВАННЯ.

1. КОЛЕСА – Змащуйте шарикопідшипники у кожному колесі легким мастилом хоча б один раз на сезон.
2. ДВИГУН – Дотримуйтеся інструкцій з експлуатації двигуна стосовно його змащування.

10. ЧИЩЕННЯ



ЗАСТЕРЕЖЕННЯ: Не поливайте двигун зі шланга. Вода може пошкодити двигун або забруднити паливну систему.

1. Витирайте корпус сухою ганчіркою.
2. Мийте зі шланга дно корпусу, перевернувши газонокосарку таким чином, щоб свічка запалювання знаходилася вгорі.

10-1 ПОВІТРООЧИСНИК ДВИГУНА



ЗАСТЕРЕЖЕННЯ: Слідкуйте за тим, щоб фільтруючий елемент повітряного фільтра не засмітився брудом та пилом. Повітроочисник двигуна треба обслуговувати (чистити) після кожних 25 годин звичайної роботи. Фільтруючий елемент треба обслуговувати регулярно, якщо газонокосарка використовується у сухому пильному середовищі.

ЧИЩЕННЯ ПОВІТРЯНОГО ФІЛЬТРА

1. Вкрутіть гвинт. (**Мал. 35** для PLM4632 та PLM5130)
2. Вийміть фіксуючу рукоятку. (**Мал. 36** для PLM4630 та PLM4631)
3. Зніміть кришку фільтра.
4. Помийте фільтруючий елемент у мильній воді. **НЕ ВИКОРИСТОВУЄ БЕНЗИН!**
5. Висушіть фільтруючий елемент на повітрі.
6. Налийте декілька крапель мастила SAE30 на фільтруючий елемент і міцно стисніть його, щоб видалити надлишок мастила.
7. Установіть фільтр.

ПРИМІТКА: Замінійте фільтр, якщо він зносився, порвавсь, зазнав пошкоджень або його неможливо вимити.

10-2 РІЖУЧЕ ПОЛОТНО



ЗАСТЕРЕЖЕННЯ: Перед проведенням робіт на ріжучому полотні, щоб попередити випадковий запуск двигуна, від'єднайте й покладіть на землю дріт свічки запалювання. Надягніть товсті рукавиці або скористайтесь товстою тканиною, щоб взятися за ріжуче полотно. Нахиліть газонокосарку, як вказано в інструкції з експлуатації двигуна. Зніміть болт із шестигранною головкою і шайбу, які приєднують ріжуче полотно та адаптер ріжучого полотна до колінчатого валу двигуна. Від'єднайте ріжуче полотно та адаптер ріжучого полотна від колінчатого валу двигуна.



УВАГА: Періодично оглядайте адаптер ріжучого полотна на наявність тріщин, особливо якщо газонокосарка зачепила сторонній предмет. Замініть його, якщо це необхідно.

Для досягнення найкращих результатів ріжуче полотно повинно бути гострим. Ріжуче полотно можна нагострити; для цього його треба зняти і наточити або відшліфувати ріжучий край, намагаючись зберегти первинний кут. Надзвичайно важливо рівномірно нагострити кожний ріжучий край, щоб не порушити балансування ріжучого полотна. Порушення балансування ріжучого полотна може призвести до надмірної вібрації та пошкодження двигуна і газонокосарки. Перевіряйте точність балансування ріжучого полотна після нагострення. Балансування ріжучого полотна можна перевірити за допомогою викрутки з круглим перерізом. Знімайте метал із важкої сторони, доки не буде встановлена рівновага.

(Мал. 37)

Перед приєднанням ріжучого полотна і адаптера ріжучого полотна до пристрою колінчатий вал двигуна та внутрішню поверхню адаптера ріжучого полотна слід змастити легким мастилом. Приєднайте адаптер ріжучого полотна до колінчатого валу. Див. **Мал. 37**. Розташуйте ріжуче полотно таким чином, щоб номер деталі знаходився із протилежного боку від адаптера. Сумістіть шайбу із ріжучим полотном і вставте болт із шестигранною головкою. Затягніть болт із шестигранною головкою із моментом затягування, зазначеним нижче.

10-3 МОМЕНТ ЗАТЯГУВАННЯ РІЖУЧОГО ПОЛОТНА

Задля безпечної роботи Вашого пристрою відцентруйте болт із обертальним моментом 40 Нм – 50 Нм. Необхідно періодично перевіряти затягнення усіх гайок і болтів.

Після тривалого використання, особливо в умовах піщаного ґрунту, ріжуче полотно зношується і втрачає первинну форму. Ефективність скошування зменшується і з'являється потреба в заміні ріжучого полотна. Замінійте тільки ріжучим полотном, виготовленим на рекомендованому заводі. Виробник

не несе відповідальності за можливі пошкодження внаслідок відсутності балансування ріжучого полотна. Під час заміни установлюйте тільки оригінальне ріжуче полотно з маркуванням (MAKITA 263001451 для PLM4630/PLM4631/PLM4632, MAKITA 263002552 для PLM5130) (щоб замовити таке ріжуче полотно, зверніться до місцевого дилера або зателефонуйте до нашої компанії (див. обкладинку)).

10-4 ДВИГУН

Інформацію щодо технічного обслуговування двигуна можна прочитати в окремій інструкції з експлуатації двигуна.

Змащуйте двигун згідно з інформацією, вказаною в окремій інструкції з експлуатації двигуна, яка входить до комплекту Вашого пристрою. Уважно прочитайте інструкції та дотримуйтеся їх.

За звичайних умов використання проводить технічне обслуговування повітроочисника згідно з інформацією, вказаною в окремій інструкції з експлуатації двигуна. У разі використання в дуже запиленому середовищі чистьте його кожні декілька годин роботи. Неналежна робота двигуна та заливання карбюратора зазвичай означає, що необхідно провести технічне обслуговування повітроочисника.

Інформацію щодо технічного обслуговування повітроочисника можна прочитати в інструкції з експлуатації двигуна, що входить до комплекту Вашого пристрою.

Свічку запалювання слід прочищати та зазор між електродами слід установлювати один раз на сезон.

Свічку запалювання рекомендується замінювати на початку кожного сезону роботи; правильний тип свічки і характеристики зазору між електродами можна подивитися в інструкції з експлуатації двигуна.

Регулярно протирайте двигун тканиною або чистьте щіткою. Тримайте чистою охолоджувальну систему (блок вентилятора) для забезпечення належної циркуляції повітря, оскільки це необхідно для високої продуктивності та тривалої експлуатації двигуна.

Перевіряйте, щоб з глушника була видалена вся трава, бруд і займисті залишки.

11. ІНСТРУКЦІЇ ЗІ ЗБЕРІГАННЯ (ПІСЛЯ ЗАКІНЧЕННЯ СЕЗОНУ)

Щоб підготувати газонокосарку для зберігання, слід виконати дії, зазначені нижче.

1. Спорожніть бак після останнього скошування у сезоні.
- а) Зробіть це за допомогою відсмоктувального насосу.



- ЗАСТЕРЕЖЕННЯ:** Не зливайте бензин у зачинених приміщеннях, поблизу відкритого вогню тощо. Не паліть! Випари бензину можуть спричинити вибух або пожежу.
- б) Запустіть двигун і залиште його працювати, доки не буде використаний увесь бензин, що залишився, і двигун не зупиниться.
 - в) Зніміть свічку запалювання. За допомогою ручної маслянки налійте приблизно 20 мл мастила у

- камеру згоряння. Запустіть стартер, щоб рівномірно розподілити мастило по камері згоряння. Установіть свічку запалювання.
2. Ретельно почистіть та змастіть газонокосарку, як вказано в розділі "ІНСТРУКЦІЇ ЩОДО ЗМАЩУВАННЯ".
 3. Злегка змажте ріжуче полотно, щоб уникнути корозії.
 4. Зберігайте газонокосарку у сухому, чистому, захищеному від морозу приміщенні подалі від сторонніх осіб.



ЗАСТЕРЕЖЕННЯ: Газонокосарку ставити на зберігання слід тільки після того, як двигун повністю охолоне.



ПРИМІТКА:

- Під час зберігання будь-якого обладнання у невентильованому приміщенні або у приміщенні, призначеному для зберігання матеріалів.
- Вживайте відповідних заходів, щоб захистити обладнання від корозії. Покривайте обладнання, особливо кабелі та усі рухомі частини, легким мастилом або силіконом.
- Не згинайте та не перекручуйте кабелі.
- Якщо пусковий шнур від'єднався від фіксатора пускового шнура на ручці, від'єднайте і помістіть на землю дріт свічки запалювання, послабте ручку керування ріжучим полотном і повільно витягніть пусковий шнур із двигуна. Засуньте пусковий шнур у болт фіксатора пускового шнура на ручці.

Транспортування

Вимикайте двигун. Будьте уважними, щоб під час пересування газонокосарки не погнути і не пошкодите ріжуче полотно через перешкоди.

12. УСУНЕННЯ НЕСПРАВНОСТЕЙ

ПРОБЛЕМА	МОЖЛИВА ПРИЧИНА	ЗАХОДИ З УСУНЕННЯ НЕСПРАВНОСТІ
Двигун не запускається.	Важіль дроселювання знаходиться у неправильному положенні для робочих умов.	Пересуньте важіль дроселювання у правильне положення.
	Паливний бак порожній.	Наповніть бак паливом: зверніться до ІНСТРУКЦІЇ З ЕКСПЛУАТАЦІЇ ДВИГУНА.
	Повітроочисник забруднений.	Почистіть повітроочисник: зверніться до ІНСТРУКЦІЇ З ЕКСПЛУАТАЦІЇ ДВИГУНА.
	Свічка запалювання послаблена.	Затягніть свічку запалювання із моментом затягування у 25–30 Нм.
	Дріт свічки запалювання послаблений або від'єднався від свічки.	Під'єднайте дріт до свічки запалювання.
	Неправильний зазор між електродами свічки запалювання.	Установіть зазор між електродами від 0,7 мм до 0,8 мм.
	Свічка запалювання пошкоджена.	Установіть нову свічку із правильним зазором між електродами: зверніться до ІНСТРУКЦІЇ З ЕКСПЛУАТАЦІЇ ДВИГУНА.
	Карбюратор заповнений паливом.	Зніміть повітроочисник і тягніть пусковий шнур доти, доки карбюратор не звільниться від пального, а потім установіть повітроочисник на місце.
Двигун важко запускається або втрачає потужність.	Пошкодження в модулі запалювання.	Зверніться до сервісного агента.
	У паливному баку бруд, вода або паливе низької якості.	Злийте паливе та почистіть бак. Заповніть бак чистим свіжим паливом.
	Вентиляційний отвір у кришці паливного баку забруднений.	Почистіть або замініть кришку паливного баку.
Двигун працює нерівномірно.	Повітроочисник забруднений.	Почистіть повітроочисник.
	Свічка запалювання пошкоджена.	Установіть нову свічку із правильним зазором між електродами: зверніться до ІНСТРУКЦІЇ З ЕКСПЛУАТАЦІЇ ДВИГУНА.
	Неправильний зазор між електродами свічки запалювання.	Установіть зазор між електродами від 0,7 мм до 0,8 мм.
Неналежний холостий хід двигуна.	Повітроочисник забруднений.	Почистіть повітроочисник: зверніться до ІНСТРУКЦІЇ З ЕКСПЛУАТАЦІЇ ДВИГУНА.
	Отвори для повітря у кожусі двигуна заблоковані.	Почистіть отвори від сміття.
	Охолоджувальні пластини і проходи для повітря під корпусом вентилятора двигуна заблоковані.	Очистіть охолоджувальні пластини і проходи для повітря від сміття.
Двигун перескакує на високу швидкість.	Зазор між електродами свічки запалювання замалий.	Установіть зазор між електродами від 0,7 мм до 0,8 мм.
Двигун перегрівається.	Обмежений потік охолоджувального повітря.	Очистіть отвори у кожусі двигуна, корпус вентилятора та проходи для повітря від сміття.
	Неправильна свічка запалювання.	Для PLM4630/PLM4631: Установіть на двигун свічку запалювання RJ19LMC та охолоджувальні пластини. Для PLM4632/PLM5130: Установіть на двигун свічку запалювання QC12YC та охолоджувальні пластини.
Газонокосарка незвично вібує.	Ріжуче полотно не затягнуте.	Затягніть ріжуче полотно.
	Ріжуче полотно не збалансоване.	Збалансуйте ріжуче полотно.

13. ДОВКІЛЛЯ

Якщо після тривалого використання Вам потрібний новий інструмент, не викидайте старий із домашнім сміттям, а здайте його на утилізацію безпечним для довкілля способом.

Тільки для країн Європи

Декларація про відповідність стандартам ЄС Ми, компанія Makita, як відповідальний виробник заявляємо, що зазначене нижче обладнання Makita:

позначення обладнання: бензинова газонокосарка № моделі/тип: PLM4630, PLM4631, PLM4632, PLM5130

технічні характеристики: див. "4. ТЕХНІЧНІ ДАНІ" є серійним виробництвом та

відповідає таким Європейським директивам:

2004/108/EC, 2006/42/EC,
2000/14/EC і 2005/88/EC

та виготовлено відповідно до таких стандартів або стандартизованих документів:

EN 836, EN ISO 14982

Технічна документація ведеться:

Makita International Europe Ltd.,
Technical Department,
Michigan Drive, Tongwell,
Milton Keynes, Bucks MK15 8JD, Англія

Процедура оцінювання відповідності, якої вимагає Директива 2000/14/EC, відбулася відповідно до Додатку VI.

Уповноважений орган:

TÜV SÜD Industrie Service GmbH
Westendstraße 199, D-80686 München
Ідентифікаційний номер: 0036

Модель: PLM4630, PLM4631

Вимірний рівень акустичної потужності:

94,2 дБ (А)

Гарантований рівень акустичної потужності:

96 дБ (А)

Модель: PLM4632

Вимірний рівень акустичної потужності:

94,3 дБ (А)

Гарантований рівень акустичної потужності:

96 дБ (А)

Модель: PLM5130

Вимірний рівень акустичної потужності:

95,9 дБ (А)

Гарантований рівень акустичної потужності:

98 дБ (А)

30. 11. 2012



Томоязу Като

Директор

Makita Corporation

3-11-8, Sumiyoshi-cho,
Anjo, Aichi, 446-8502, JAPAN

Makita Corporation

Anjo, Aichi, Japan