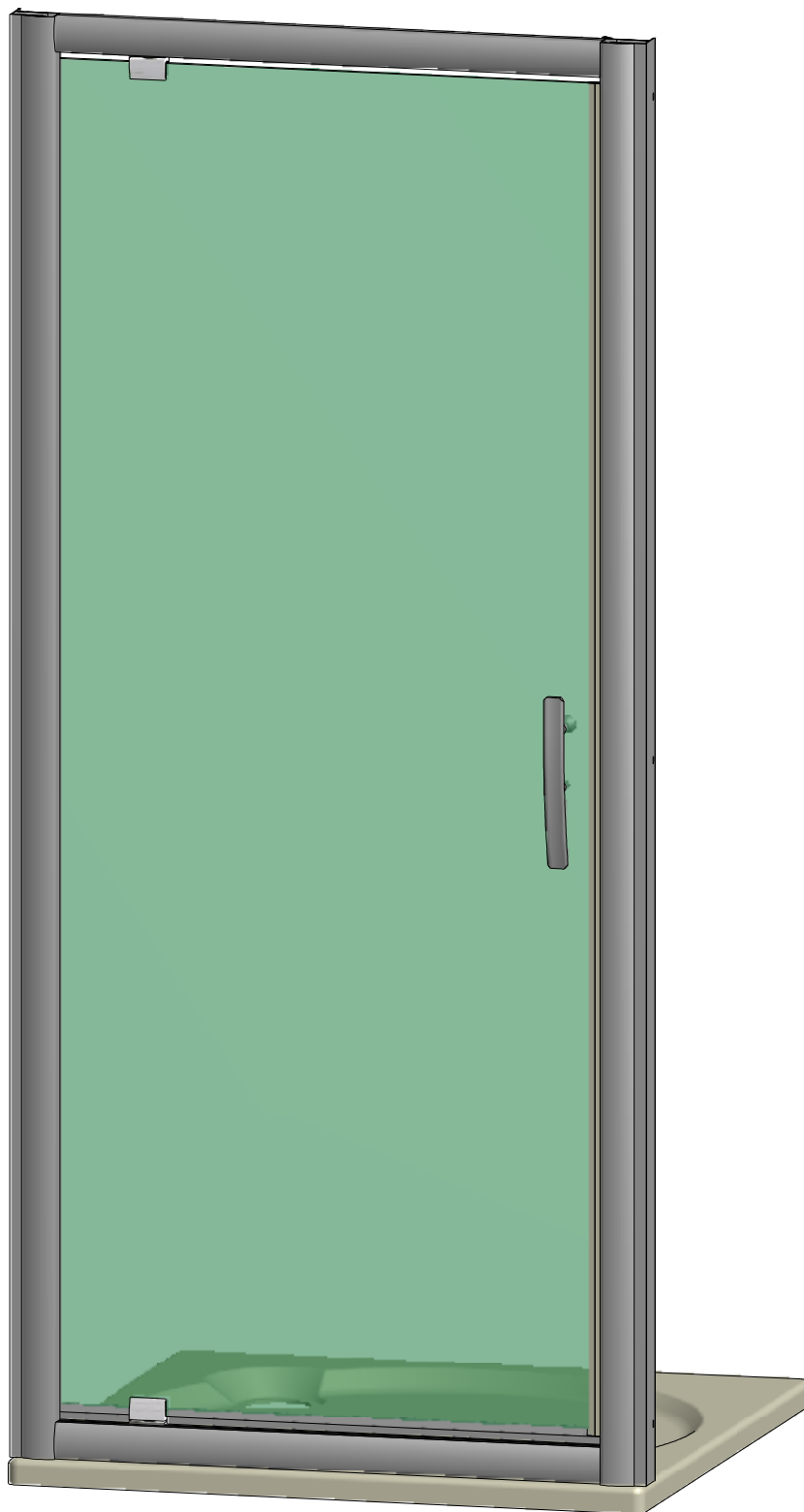
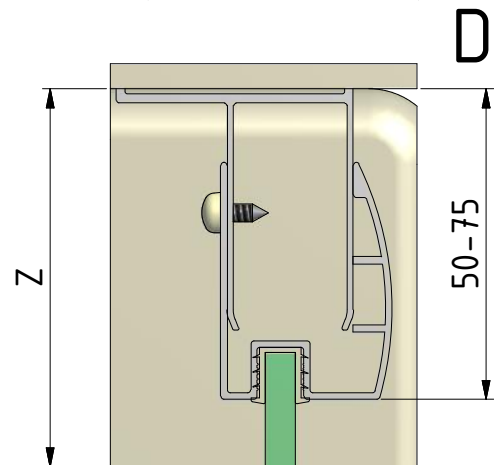
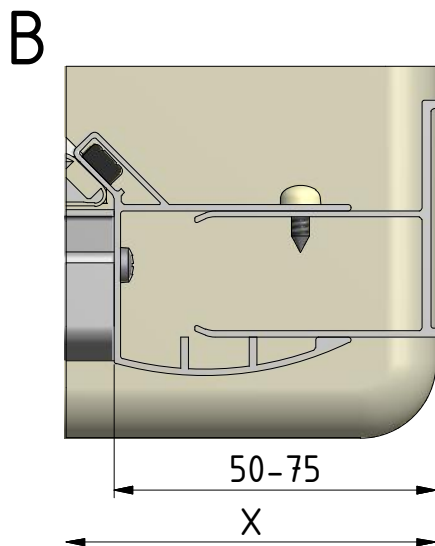
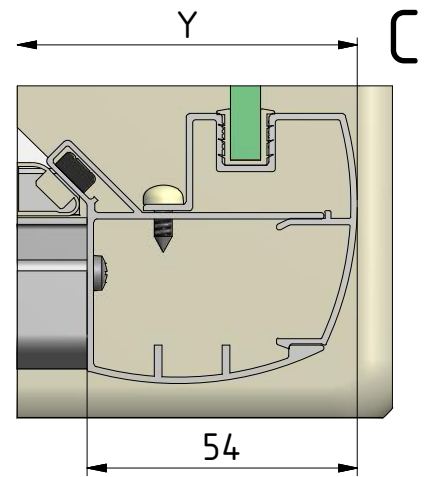
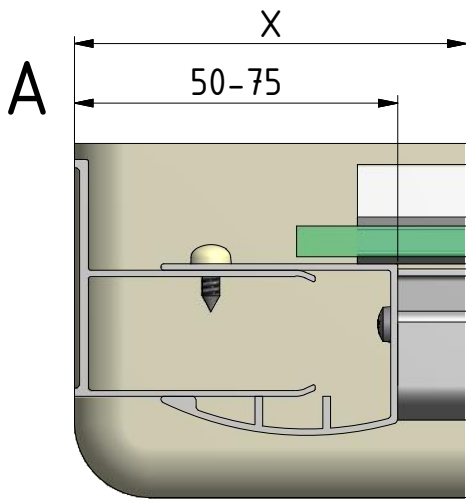
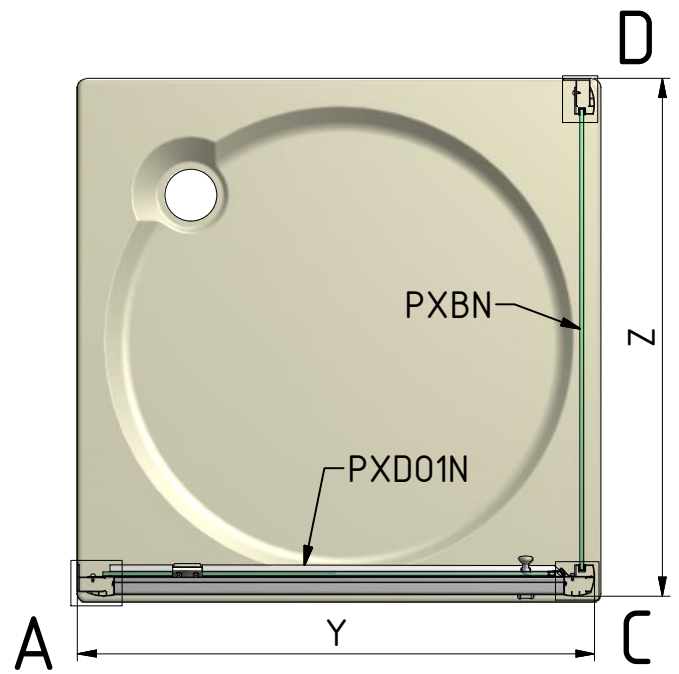
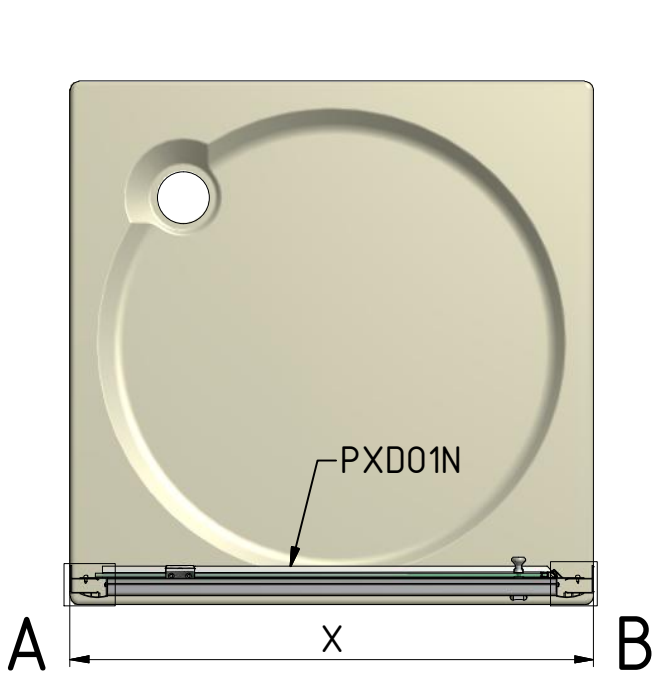


# PXD01N





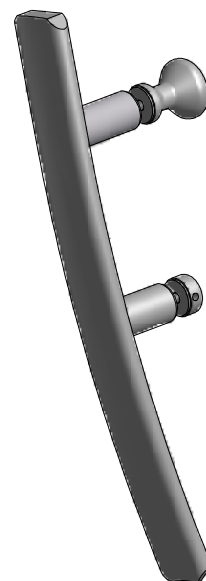
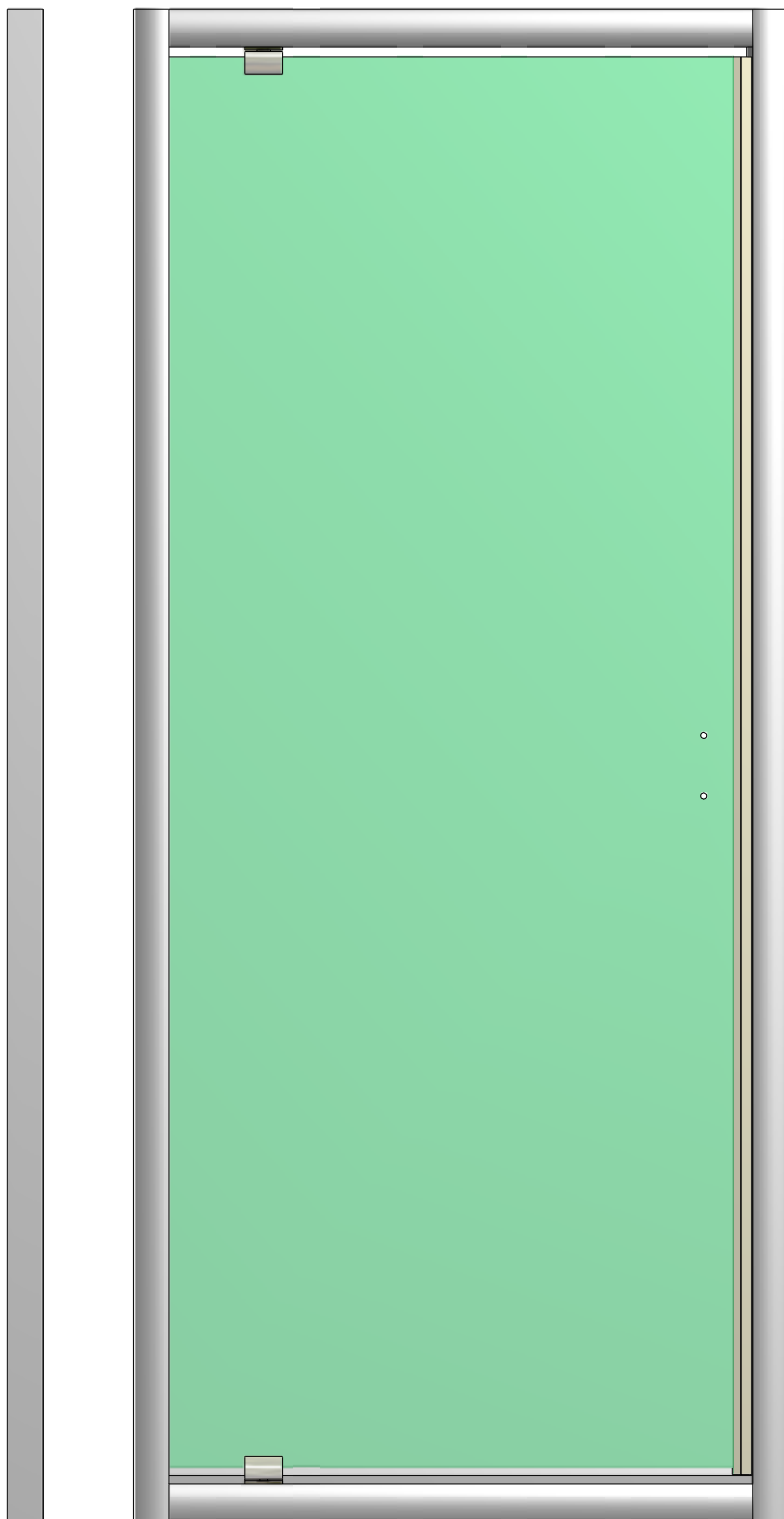
.	X	Y
800	772-822	775-800
900	872-922	875-900
1000	972-1022	975-1000
1100	1072-1122	1075-1100

.	Z
700	680-705
800	780-805
900	880-905
1000	980-1005

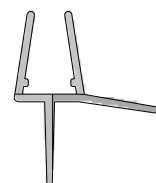
1. 2x (P2860)

2. 1x

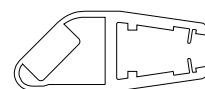
3. 1x (M8824)



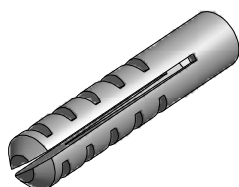
9. 1x (P3960)



10. 1x MA0853



4. 6x (M0511)  
n 6 mm



5. 6x (M0795)  
n3,5x38 mm



6. 6x (M0806)  
n 3,5x9,5 mm



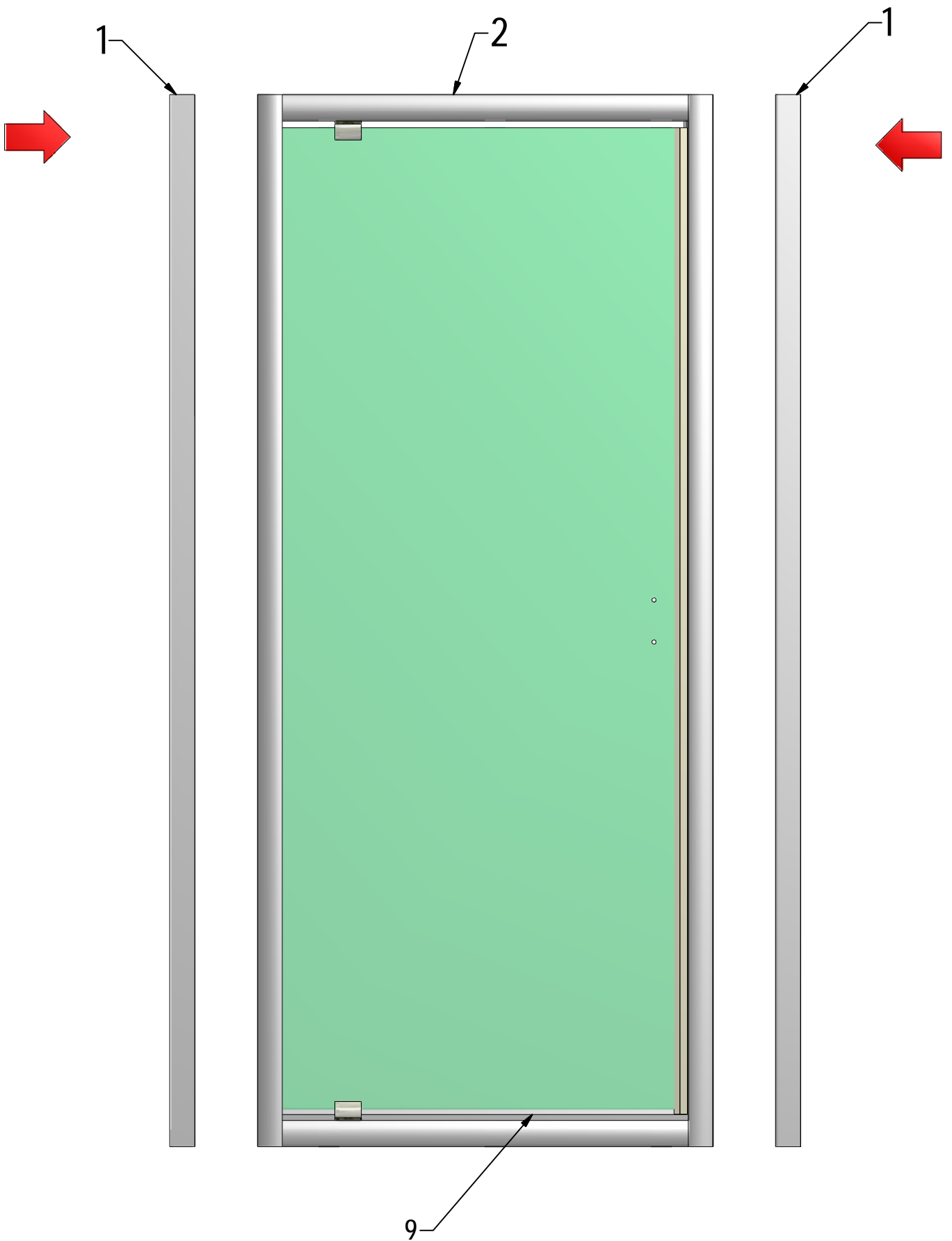
7. 12x(M1907)

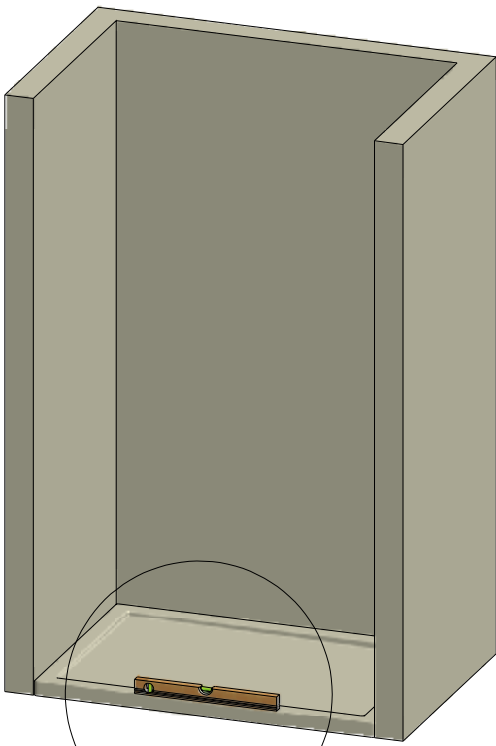


8. 1x (M0838)  
n2,8

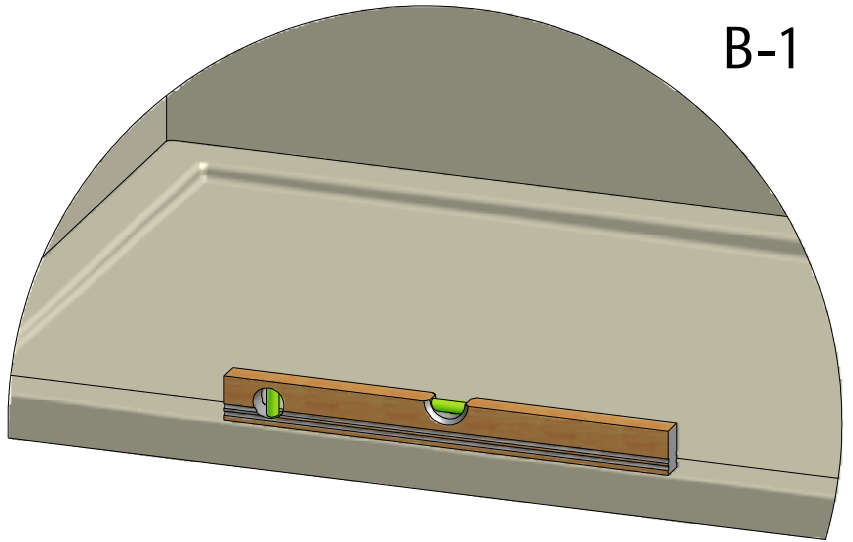


A-1

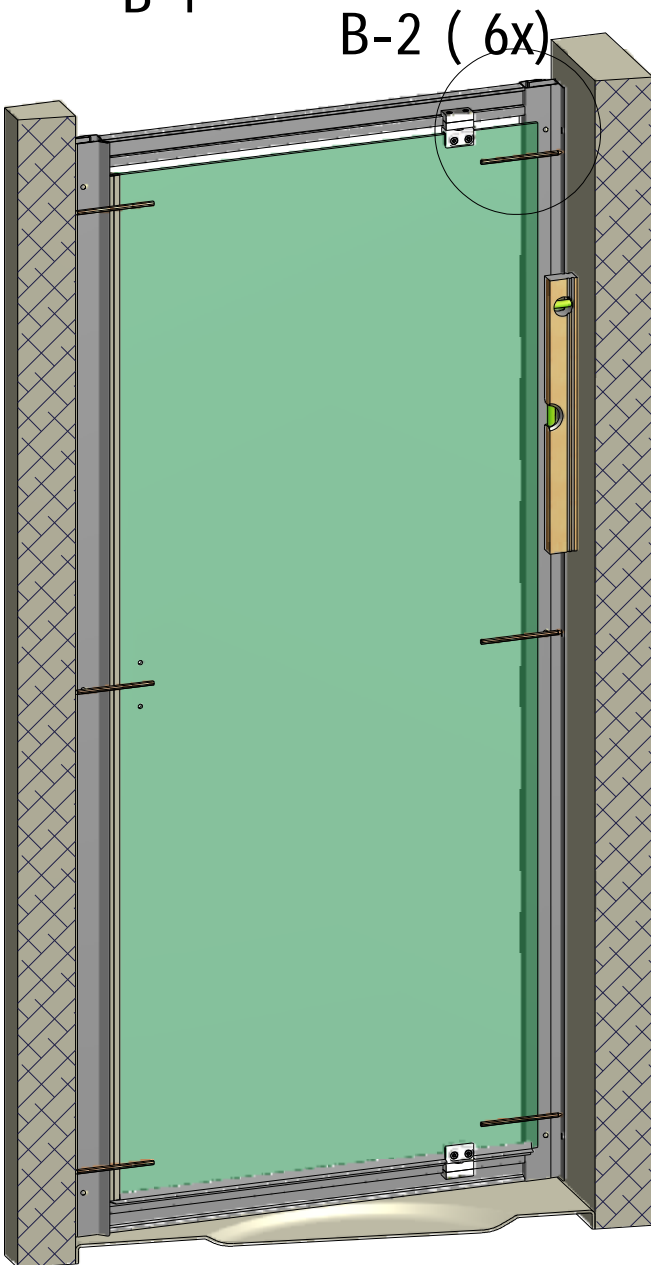




B-1

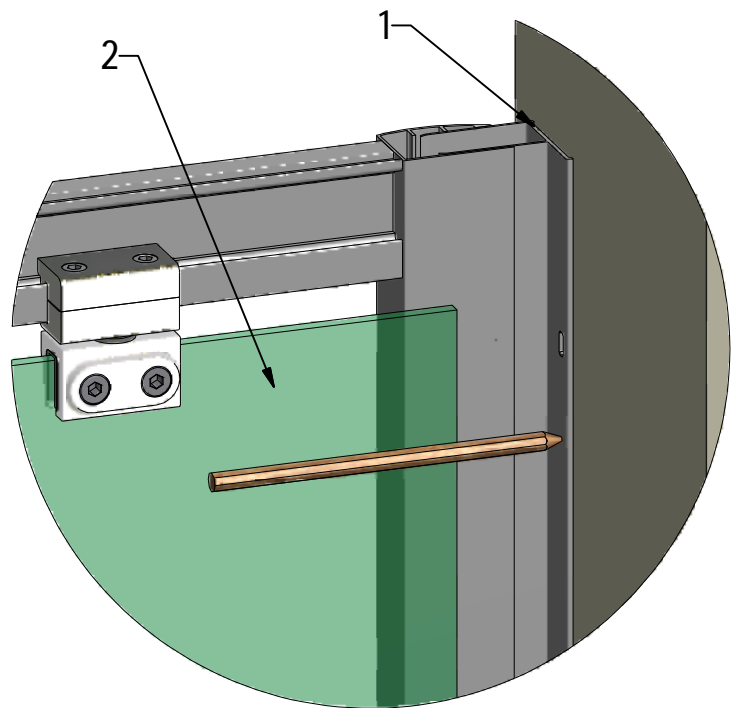


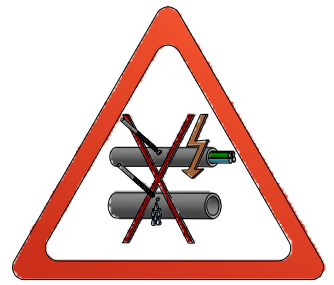
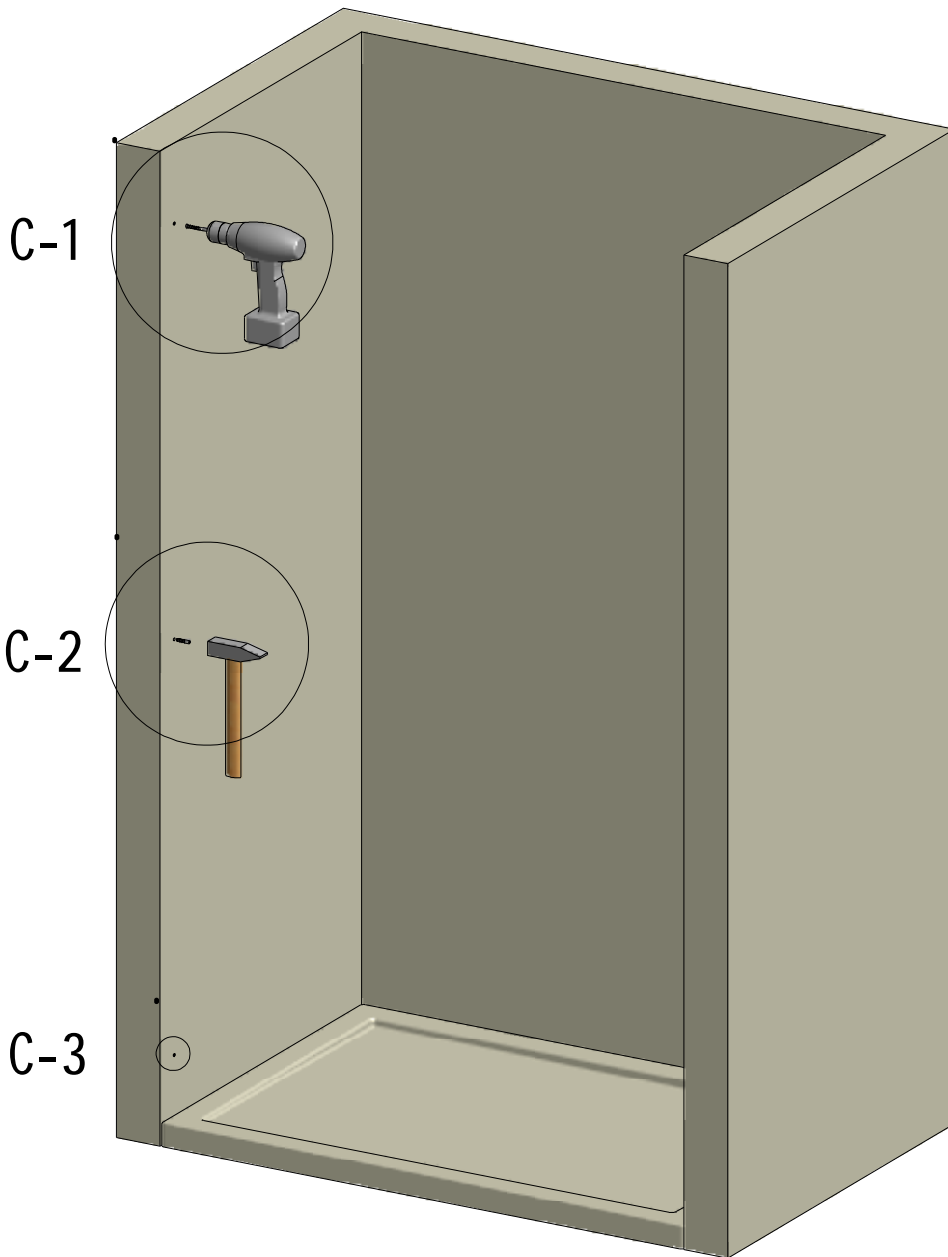
B-1



B-2 ( 6x)

B-2 ( 6x)

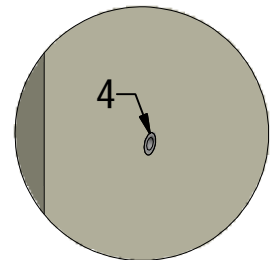
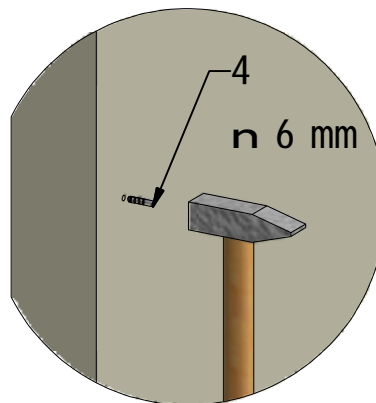
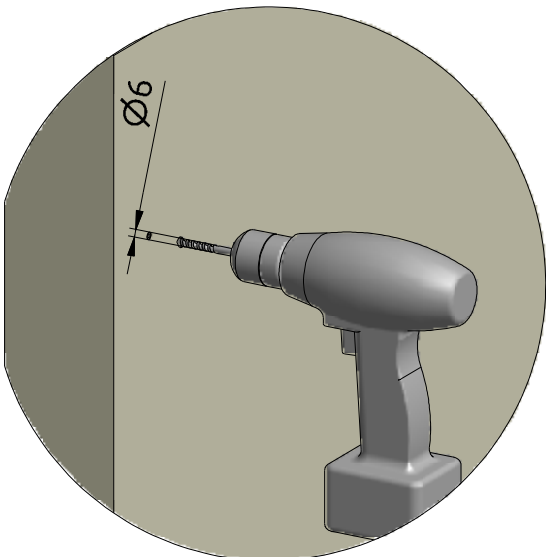


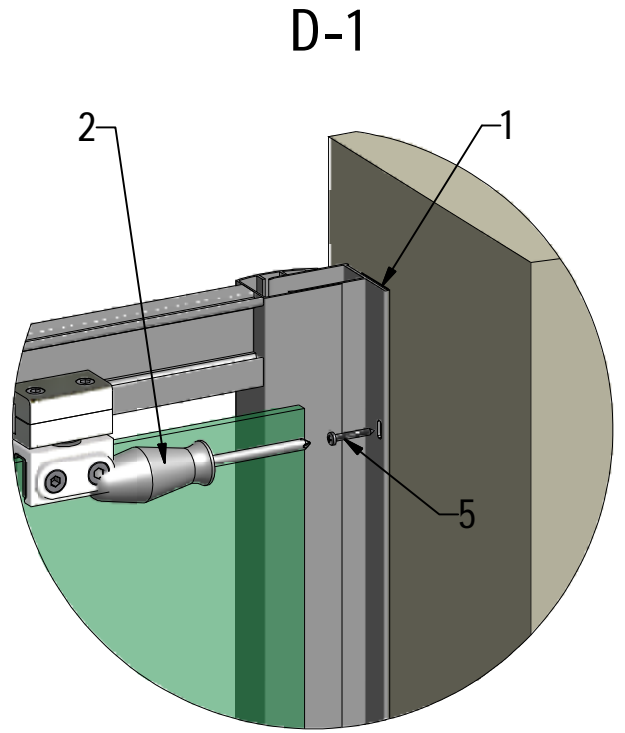
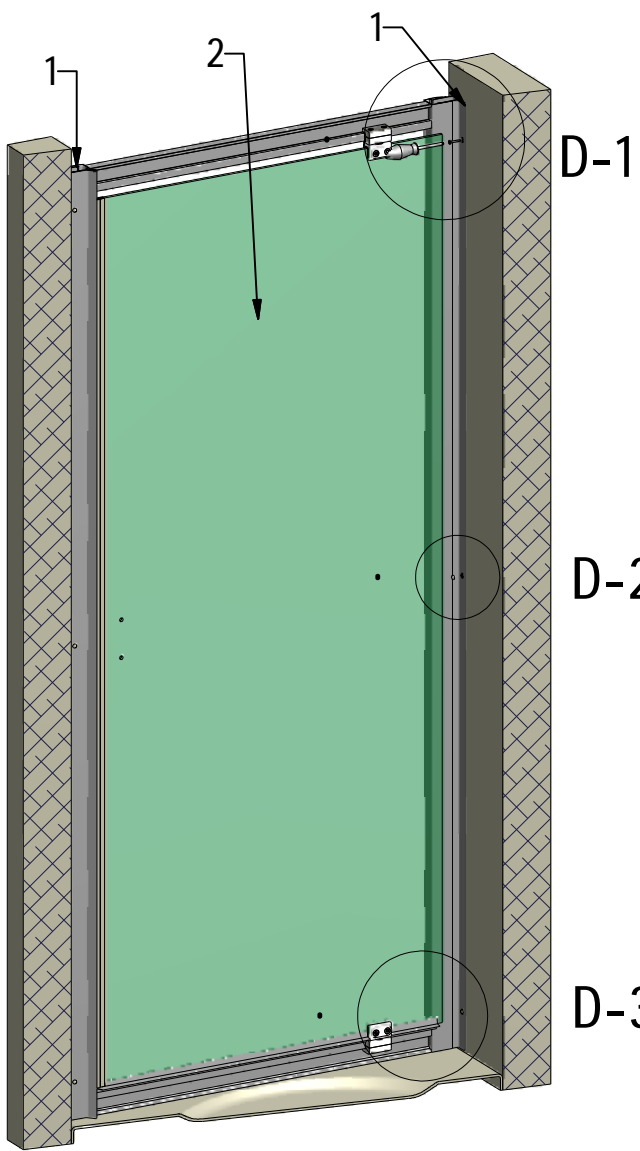


C-1  
6x

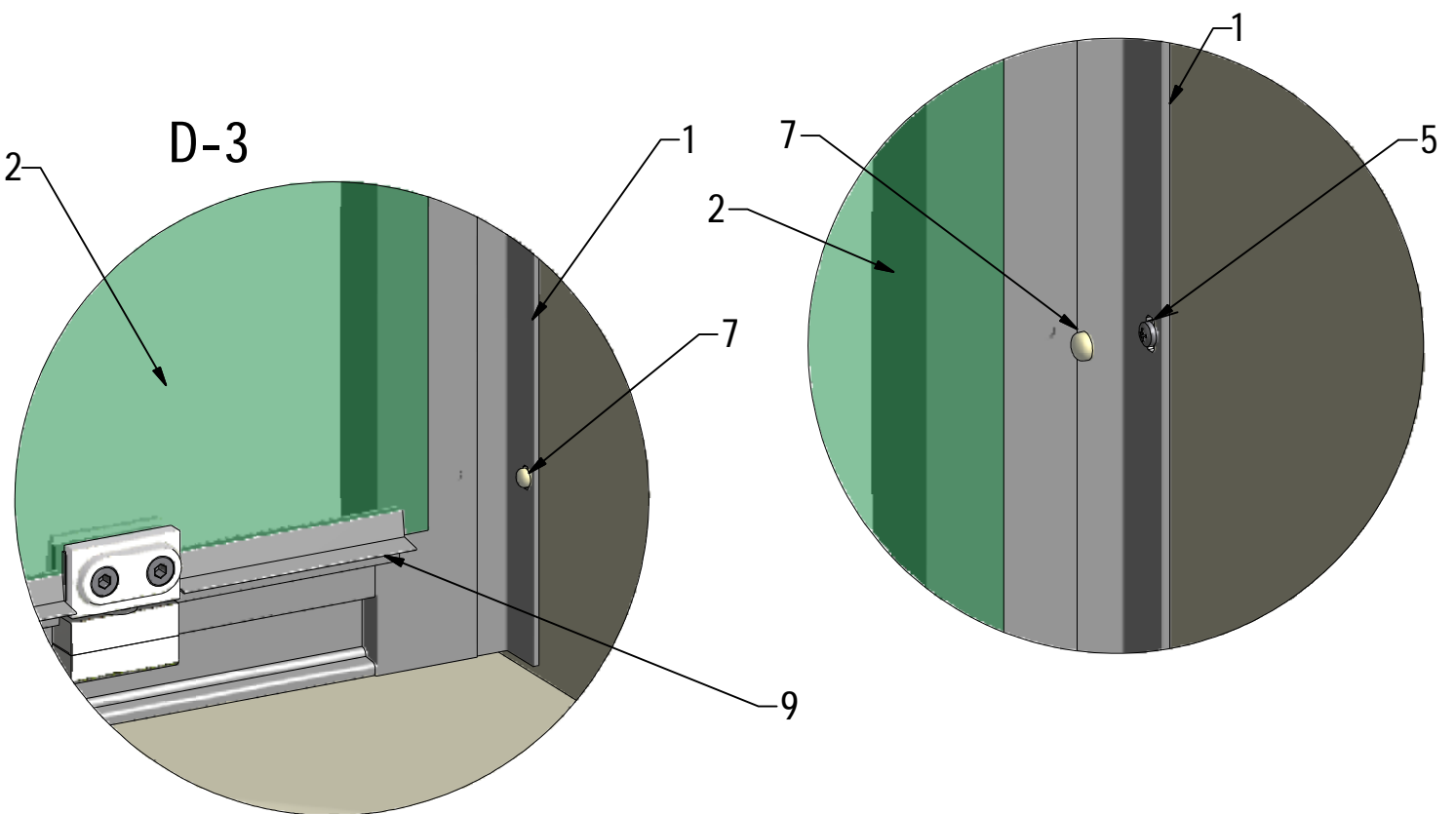
C-2  
6x

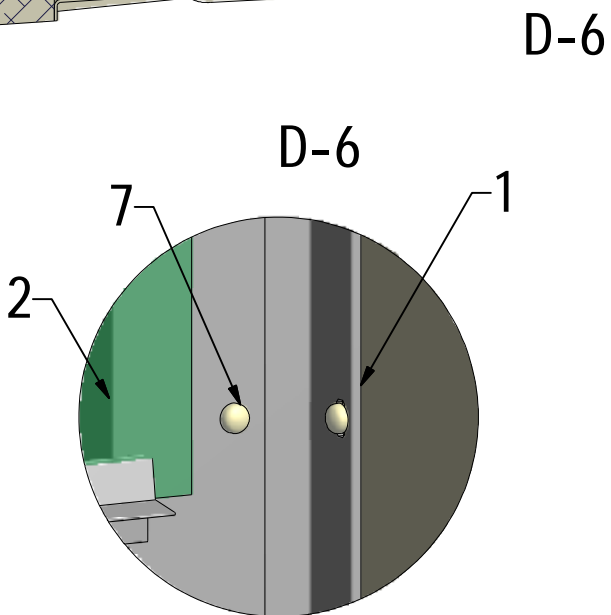
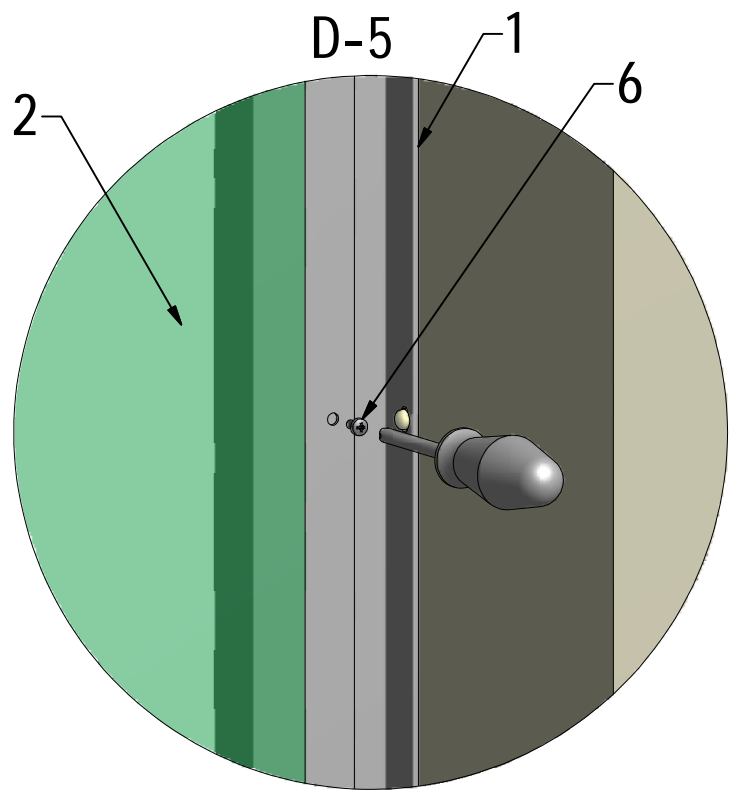
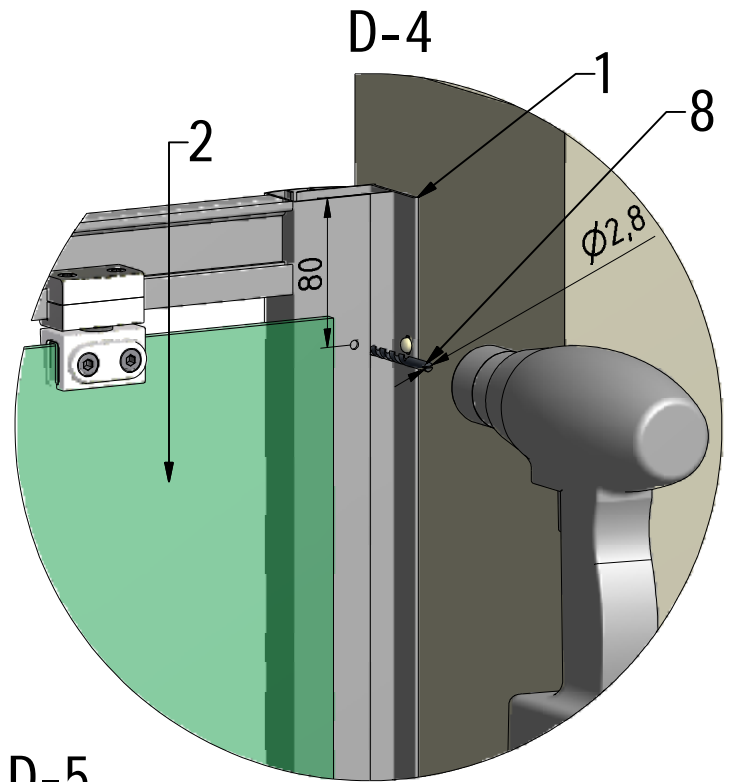
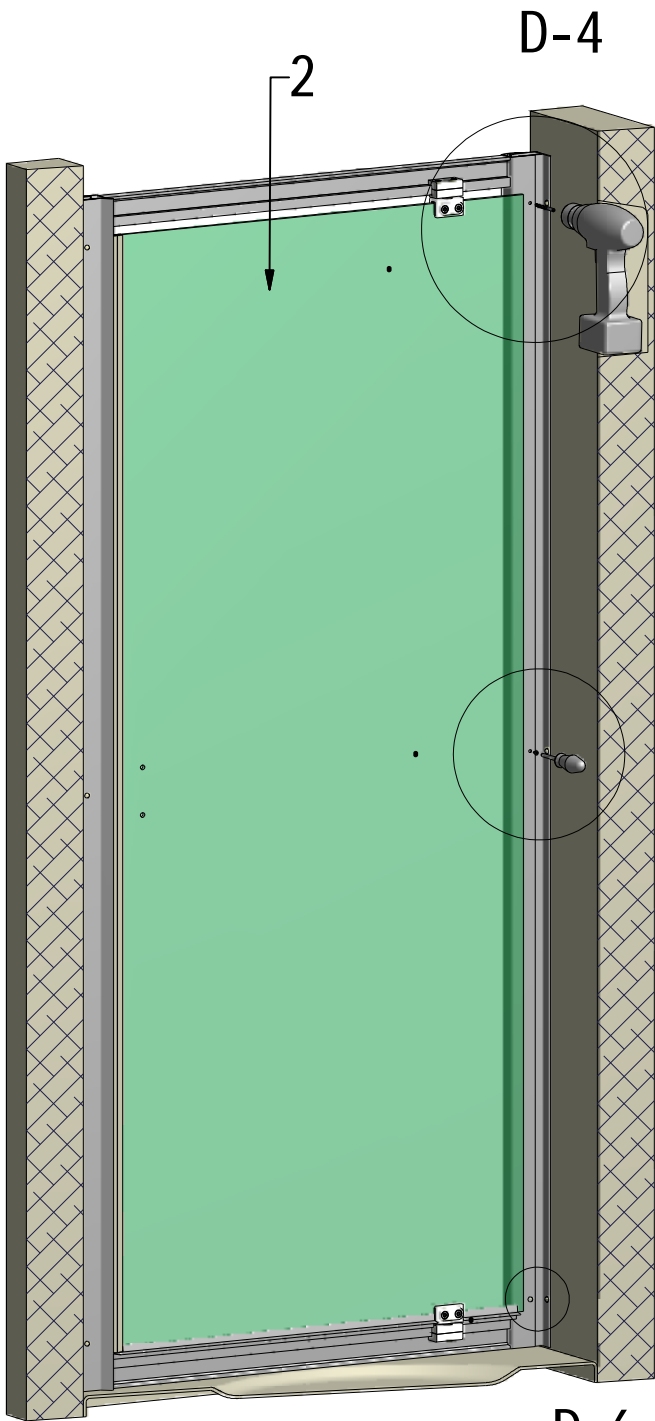
C-3  
6x



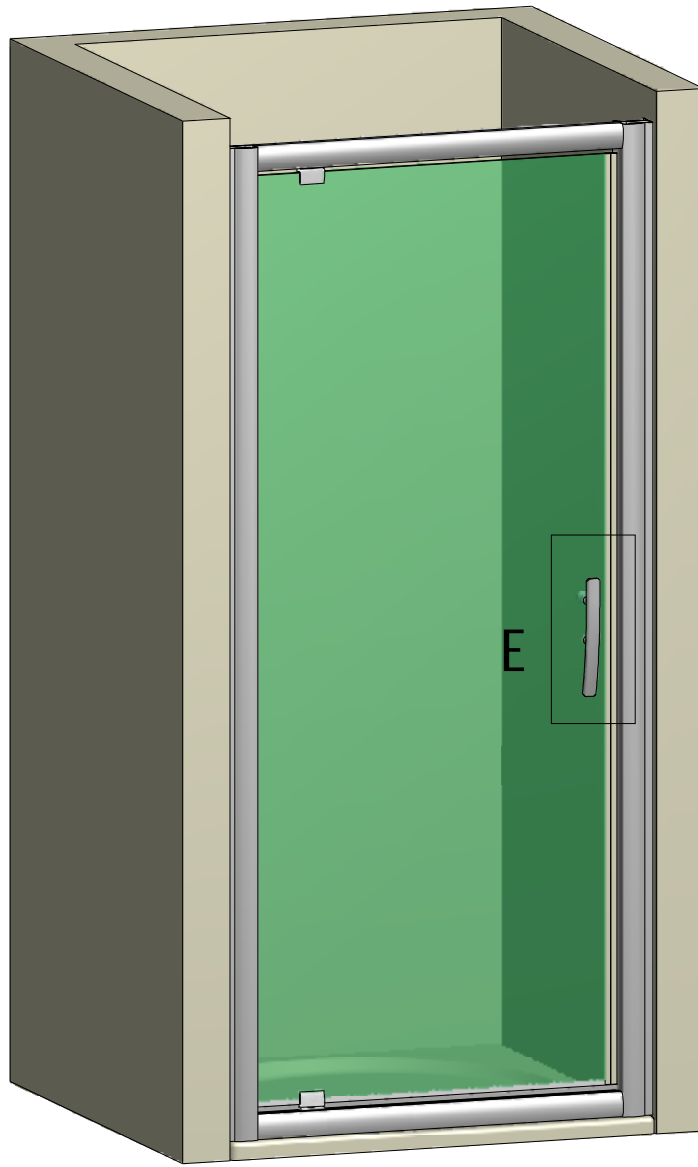


D-2



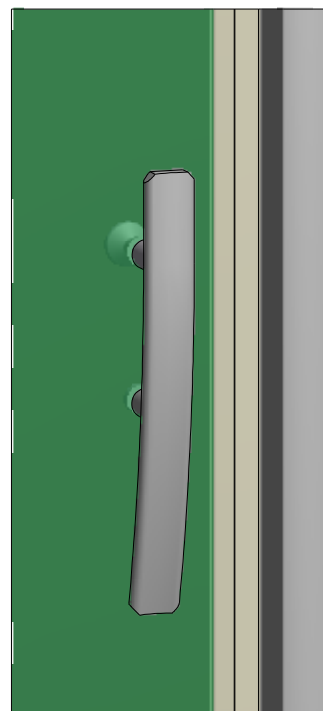
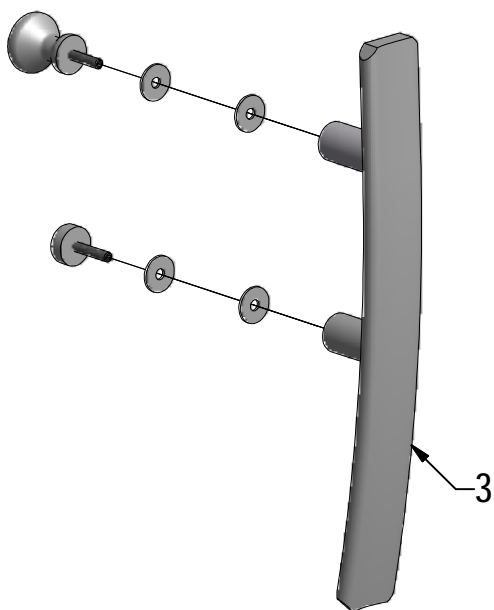


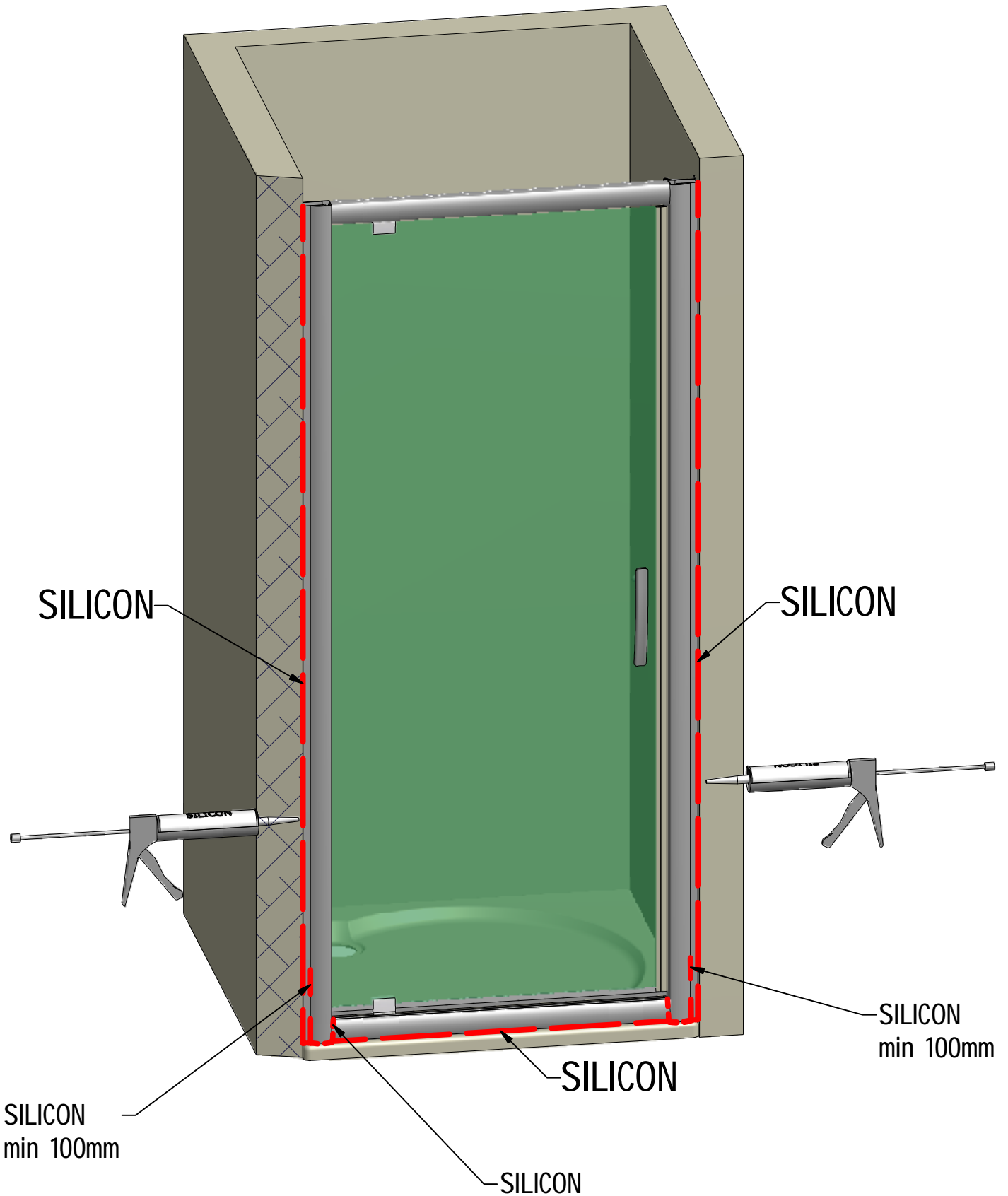


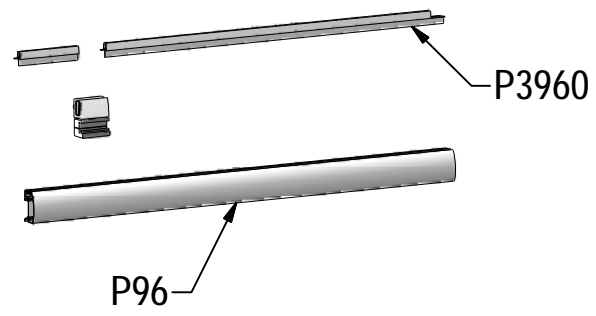
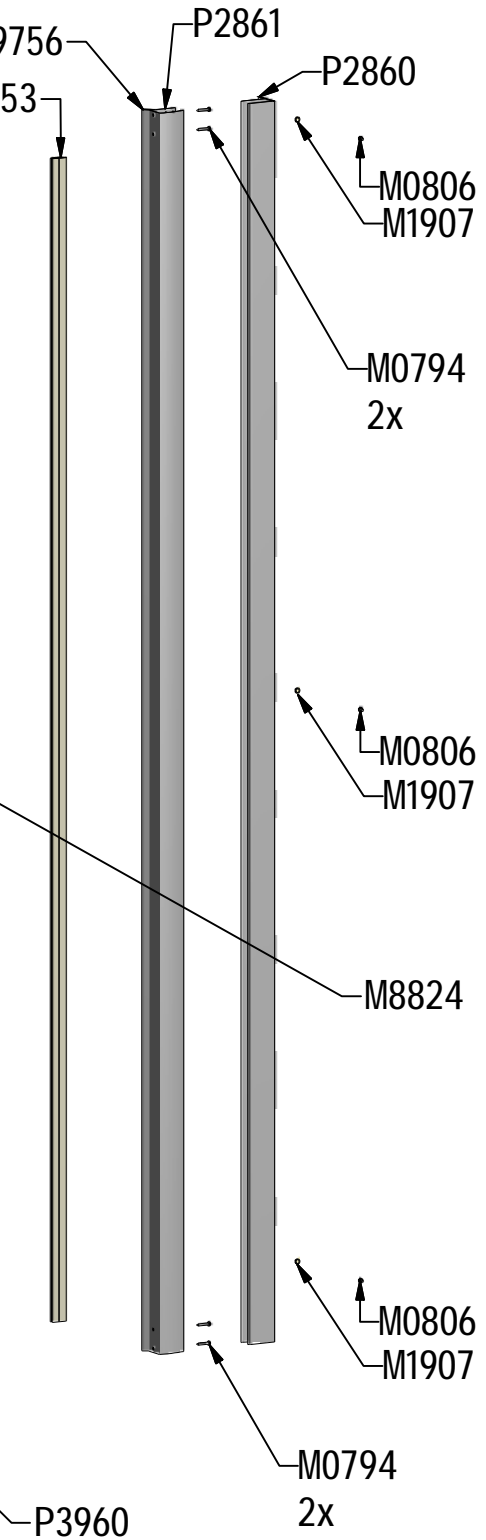
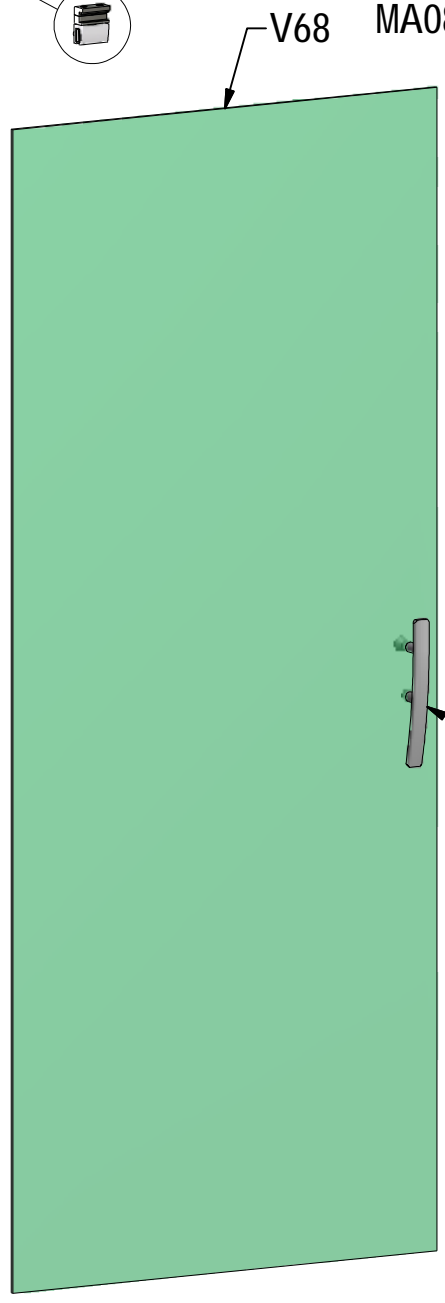
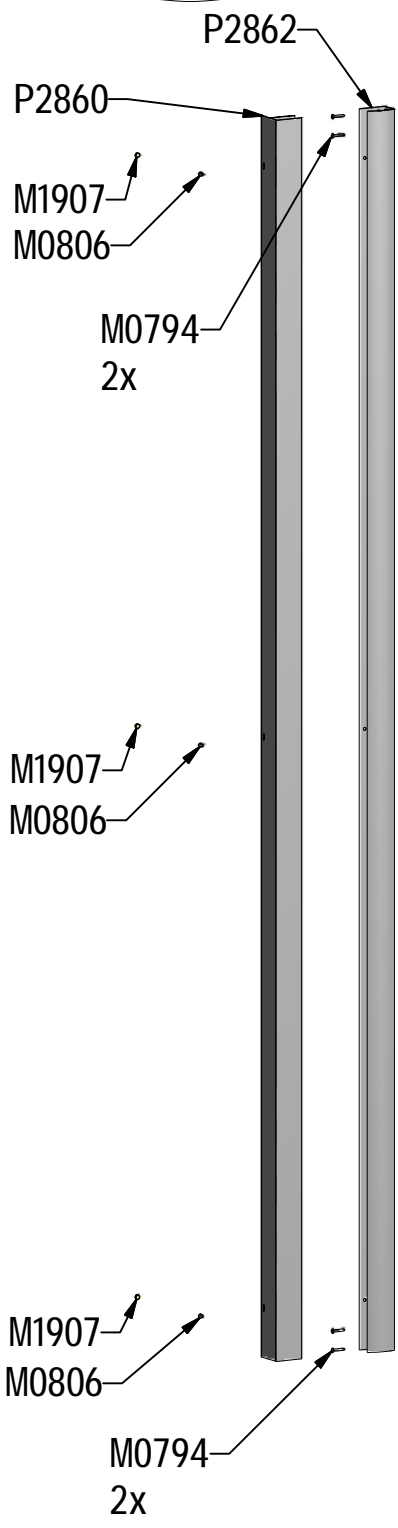
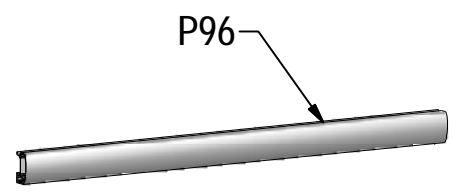
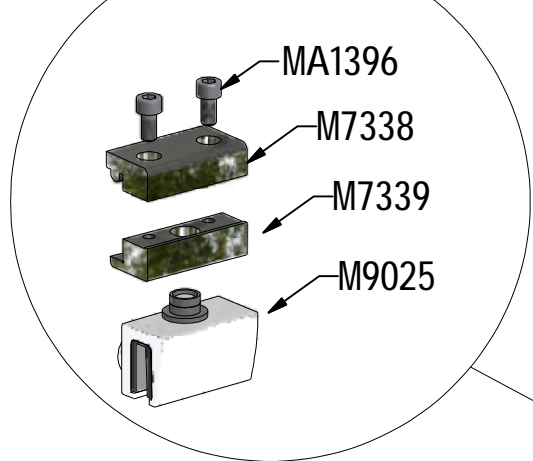


E-1

E-2







P96	800		P2856
	900		P2857
	1000		P2858
	1100		P2859

V68	800	clear glass	ND02-0577-00-02
		satinato glass	ND02-0577-00-15
	900	clear glass	ND02-0578-00-02
		satinato glass	ND02-0578-00-15
	1000	clear glass	ND02-0579-00-02
		satinato glass	ND02-0579-00-15
	1100	clear glass	ND02-0580-00-02
		satinato glass	ND02-0580-00-15