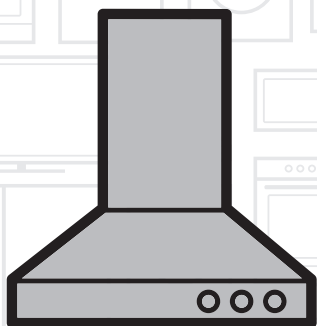


# Hood

## User manual



HCA92640BH

HCA92640WH

HCA62640W

HCA62640WH

HCA62640B

HCA62640BH

HCA62540B

HCA92540B

HCA92641WH

HCA92641BH

HCA62641WH

HCA62641BH

EN

DE

ES

FR

PL

NL

CZ

IT

SL

SK

UA

RU

RO

ET

LT

LV

PT

01M-8848793200-0119-06

**beko**

# Please read this user manual first!

Dear Customer,

Thank you for preferring a Beko product. We hope that you get the best results from your product which has been manufactured with high quality and state-of-the-art technology. Therefore, please read this entire user manual and all other accompanying documents carefully before using the product and keep it as a reference for future use. If you handover the product to someone else, give the user manual as well. Follow all warnings and information in the user manual.

Remember that this user manual is also applicable for several other models. Differences between models will be identified in the manual.

## Explanation of symbols

Throughout this user manual the following symbols are used:

	Important information or useful hints about usage.
--	--

	Warning for hazardous situations with regard to life and property.
--	--

	Warning for electric shock.
--	-----------------------------



This product was manufactured using the latest technology in environmentally friendly conditions.

Complies with the WEEE Directive.



Does not contain PCB.

## CONTENTS

<b>ENGLISH</b>	<b>04-19</b>
<b>DEUTSCH</b>	<b>20-37</b>
<b>ESPAÑOL</b>	<b>38-55</b>
<b>FRANÇAIS</b>	<b>56-73</b>
<b>POLSKI</b>	<b>74-91</b>
<b>NEDERLANDS</b>	<b>92-109</b>
<b>ČESKY</b>	<b>110-126</b>
<b>ITALIANO</b>	<b>127-143</b>
<b>SLOVENŠČINA</b>	<b>144-160</b>
<b>SLOVENSKÝ</b>	<b>161-178</b>
<b>УКРАЇНСЬКИЙ</b>	<b>179-196</b>
<b>РУССКИЙ</b>	<b>197-214</b>
<b>ROMÂNĂ</b>	<b>215-231</b>
<b>EESTI</b>	<b>232-248</b>
<b>LIETUVIŲ K</b>	<b>249-265</b>
<b>LATVIJAS</b>	<b>266-283</b>
<b>PORTUGUÊS</b>	<b>284-301</b>

01M-8848793200-0119-06  
01M-8848803200-0119-06  
01M-8848053200-0119-06  
01M-8848773200-0119-06  
01M-8848063200-0119-06  
01M-8848783200-0119-06  
01M-8851123200-0119-06  
01M-8851313200-0119-06  
01M-8806343200-0119-06  
01M-8806353200-0119-06  
01M-8806363200-0119-06  
01M-8806373200-0119-06

# 1 Important instructions for safety and environment

This section contains safety instructions that will help protect from risk of personal injury or property damage. All warranties will become void if you do not follow these instructions.

## 1.1 General safety

- Always have the installation and repairing procedures carried out by the Authorised Service Agent. Manufacturer shall not be held responsible for damages arising from procedures carried out by unauthorised persons.
- This appliance is not intended for use by persons (including children) with reduced physical, sensory or mental capabilities, or lack of experience and knowledge. Children should be supervised to ensure that they do not play with the appliance.

### 1.1.1 Electrical safety

- Disconnect the product from the mains during installation, maintenance, cleaning and repairing procedures.

- If the power cable is damaged, it must be replaced by the manufacturer, after sales service or a similarly qualified person (preferably an electrician) or someone designated by the importer in order to avoid possible risks.
- Operating voltage is 220 to 240 volts.
- If the appliance has a failure, it should not be operated unless it is repaired by the Authorised Service Agent. There is the risk of electric shock!
- Do not route power cable close to hobs. Otherwise power cable may cause fire since it melts down easily.
- Never plug the hood before installation is completed.
- In order to obtain the best performance, external conductor must not be longer than 4 m. It must not contain more than 2 perpendicular (90°) angles and its diameter must be min.  $\varnothing 120$  mm.
- Disconnect the appliance before any intervention to the internal parts of the appliance.

## 1.1.2 Product safety

- You can use a pipe with a diameter of 120 mm or 150 mm on the flue connection of the hood.
- Do not make connections to the flues connected with stoves, exhaust shafts or flues with rising flames. Observe the rules set by authorities on the discharge of exhaust air.
- The height between the lower surface of the hood and upper surface of the stove/oven should not be less than 65 cm.
- Do not operate the hood without aluminum filters and do not remove the filters while it is operated.
- Never touch the hood's lamp after they operated for a long time. Hot lamps may burn your hand.
- Avoid big flames beneath the product. Otherwise, particles on oil filter may ignite and lead to a fire.
- Turn on the hobs after placing pans or pots on it. Otherwise, rising temperature may deform certain parts of your product.
- Turn off the hobs before taking away pans or pots.
- Avoid inflammable materials under the hood.
- Oil may ignite while frying foods. Therefore, be careful about cloths and curtains.
- Never leave the cooker unattended when frying foods; otherwise boiled oil may cause fire.
- There is the risk of fire if your hood is not cleaned in the specified periods.
- Be extremely careful and wear gloves when cleaning the hood.
- We advise you to operate the appliance a few minutes before starting to cook in order to increase the suction power. Thus, you shall have a continuous and stable suction power when the vapors arises.
- Operate your hood for 15 minutes more after the end of cooking or frying in order to remove smell cooking vapour in the kitchen.
- When the hood is in use, especially together with gas cookers, make sure that environment is ventilated with clean air.
- Pay attention not to connect the appliance to the flues used by non-electrical devices. (E.g.: Heater flue).

# 1 Important instructions for safety and environment

- When a non-electrical device is concurrently used in the same room together with the hood, the negative pressure in the room must be maximum 0.4 mbar in order to prevent hood from sucking other device's exhaust into the room.

## 1.1.3 Children's safety

- Packaging materials are dangerous to children. Keep packaging materials in a safe place out of reach of children.
- Electrical appliances are dangerous to children. Keep children away from the product. Do not allow children play with the appliance.

## 1.2 Intended use

- This appliance is intended for domestic use. It is not suitable for commercial use and it must not be used out of its intended use.
- The manufacturer shall not be liable for any damage caused by improper use or handling.
- The period required for the availability of spare parts for the correct operation of the appliance is 10 years.

## 1.3 Compliance with WEEE regulation and disposal of the waste product



This product does not contain harmful and forbidden materials described in the "Directive on the Restriction of the Use of Certain Hazardous Substances in Waste Electrical and Electronic Equipment" (WEEE) issued by the T.R. Ministry of Environment and Urbanization.

Complies with the WEEE Directive.

This product has been manufactured with high quality parts and materials which can be reused and are suitable for recycling. Therefore, do not dispose the product with normal domestic waste at the end of its service life. Take it to a collection point for the recycling of electrical and electronic equipment. Please consult your local authorities to learn the nearest collection point. Help protect the environment and natural resources by recycling used products.

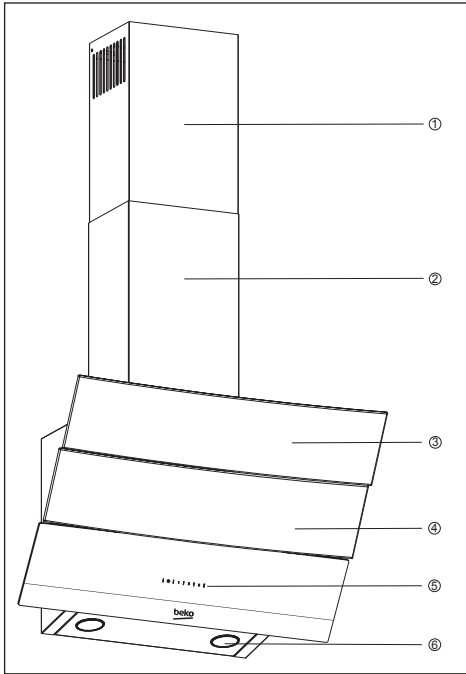
## 1.4 Package information



Ni-MH

The product package is made of recyclable material as per the National Legislation. Do not dispose of the package waste together with the household waste or other waste and deliver them to the package collection points indicated by the local authority.

## 2 Technical specifications of your appliance



1. Internal flue
2. External flue
3. Glass cover
4. Filter (under the glass cover)
5. Control panel
6. Illumination

(Figure 1)

	HCA 92640 BH	HCA 92640 WH	HCA 62640 W	HCA 62640 WH
Width	896 mm	896 mm	596 mm	596 mm
Depth	393 mm	393 mm	386 mm	386 mm
Height	750 mm / 1130 mm	750 mm / 1130 mm	750 mm / 1080 mm	750 mm / 1080 mm
Supply voltage	220 - 240 V, 50 Hz	220 - 240 V, 50 Hz	220 - 240 V, 50 Hz	220 - 240 V, 50 Hz
Control	With 3 levels	With 3 levels	With 3 levels	With 3 levels
Lamp power	2 x 3 W	2 x 3 W	2 x 3 W	2 x 3 W
Air outlet pipe	120 / 150 mm	120 / 150 mm	120 / 150 mm	120 / 150 mm
Capacity	577 m <sup>3</sup> /h	577 m <sup>3</sup> /h	537 m <sup>3</sup> /h	537 m <sup>3</sup> /h
Motor power	1 x 210 W	1 x 210 W	1 x 210 W	1 x 210 W
Total power	216 W	216 W	216 W	216 W
Net weight	13 kg	13 kg	10,4 kg	10,4 kg
Colour	Black	White	White	White

Values stated on the product labels or in the documentation accompanying it are obtained in laboratory conditions in accordance with relevant standards. These values may vary depending on operational and environmental conditions of the product.

## 2 Technical specifications of your appliance

	HCA 62640 B	HCA 62640 BH	HCA 62540 B	HCA 92540 B
Width	596 mm	596 mm	596 mm	896 mm
Depth	386 mm	386 mm	386 mm	393 mm
Height	750 mm/1080 mm	750 mm/1080 mm	750 mm/1080 mm	750 mm / 1130 mm
Supply voltage	220 - 240 V, 50 Hz	220 - 240 V, 50 Hz	220 - 240 V, 50 Hz	220 - 240 V, 50 Hz
Control	With 3 levels	With 3 levels	With 3 levels	With 3 levels
Lamp power	2 x 3 W	2 x 3 W	2 x 3 W	2 x 3 W
Air outlet pipe	120 / 150 mm	120 / 150 mm	120 / 150 mm	120 / 150 mm
Capacity	537 m <sup>3</sup> /h	537 m <sup>3</sup> /h	566 m <sup>3</sup> /h	593 m <sup>3</sup> /h
Motor power	1 x 210 W	1 x 210 W	1 x 210 W	1 x 210 W
Total power	216 W	216 W	216 W	216 W
Net weight	10,4 kg	10,4 kg	10,4 kg	13 kg
Colour	Black	Black	Black	Black

	HCA 62641 BH	HCA 62641 WH	HCA 92641 BH	HCA 92641 WH
Width	596 mm	596 mm	896 mm	896 mm
Depth	386 mm	386 mm	393 mm	393 mm
Height	750 mm/1080 mm	750 mm/1080 mm	750 mm / 1130 mm	750 mm / 1130 mm
Supply voltage	220 - 240 V, 50 Hz	220 - 240 V, 50 Hz	220 - 240 V, 50 Hz	220 - 240 V, 50 Hz
Control	With 3 levels	With 3 levels	With 3 levels	With 3 levels
Lamp power	2 x 3 W	2 x 3 W	2 x 3 W	2 x 3 W
Air outlet pipe	120 / 150 mm	120 / 150 mm	120 / 150 mm	120 / 150 mm
Capacity	638 m <sup>3</sup> /h	638 m <sup>3</sup> /h	648 m <sup>3</sup> /h	648 m <sup>3</sup> /h
Motor power	1 x 210 W	1 x 210 W	1 x 210 W	1 x 210 W
Total power	216 W	216 W	216 W	216 W
Net weight	10,4 kg	10,4 kg	13 kg	13 kg
Colour	Black	White	Black	White



## 3 Installing your appliance

Please consult the nearest **Authorised Service Agent** for the installation of your hood.

\*Preparation of location and electrical installation for the product is under customer's responsibility.



### Caution!

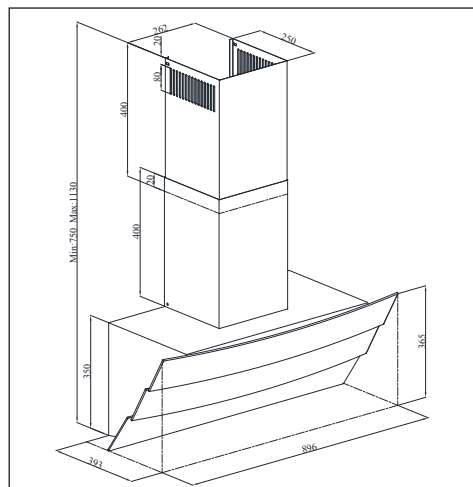
Remove the protective film (if any) on the hood and flue surface after the installation.

Distance between lower surface of the hood and upper surface of the hob should be at least **65 cm**.

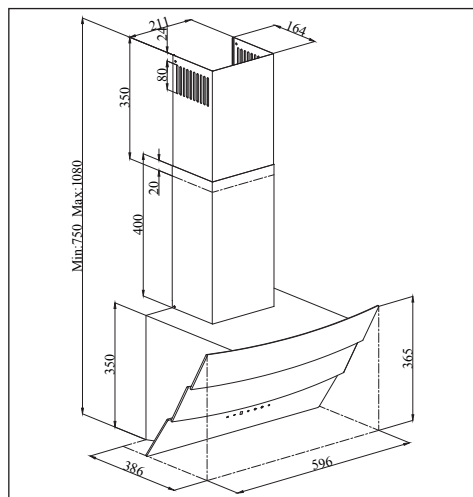
Have a qualified electrician make the electrical connection.

Install your appliance so that you can reach the power connection (plug, outlet) easily after installation.

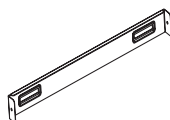
Dimensions are given in mm.



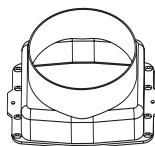
(Figure 3b)



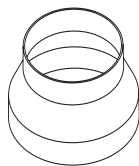
### 3.1 Installation accessories



1 x flue connection plate



1 x  $\varnothing 150$  mm plastic flue



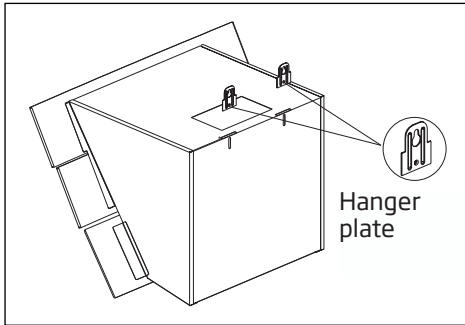
1 x  $\varnothing 120/150$  mm plastic flue adapter

## 3 Installing your appliance

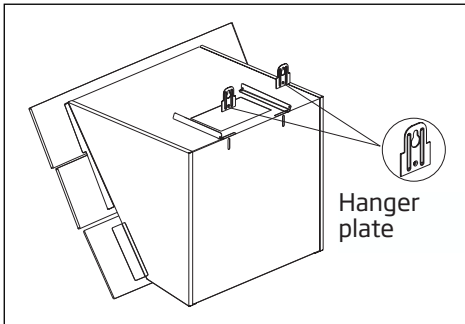
Information required for the preparation of the installation place for your hood is given below.

### 3.2 Installing the hood onto the wall

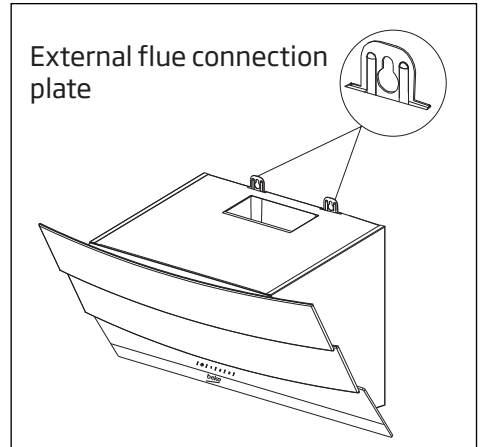
To install the hood onto the wall, loosen the screws of hanger plates on the motor housing and pull the plates upwards. Then, tighten the screws of the hanger plates. (Figure 3a).



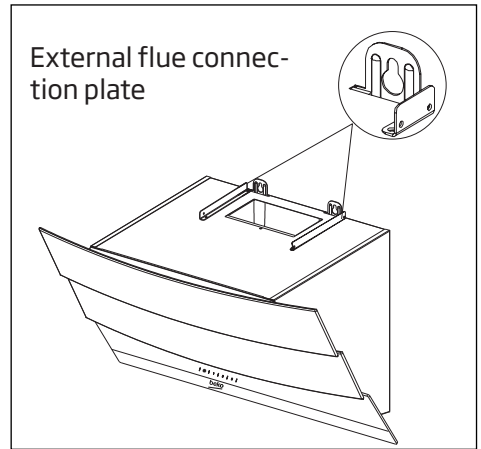
(Figure 3a - 60)



(Figure 3a - 90)



(Figure 3b - 60)

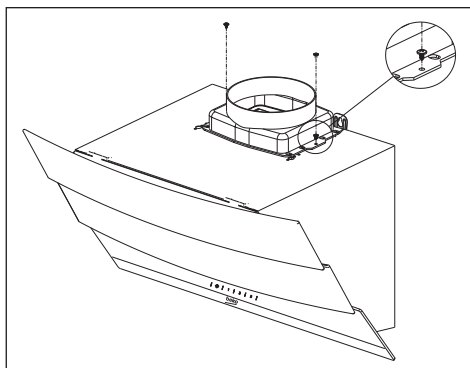


(Figure 3b - 90)

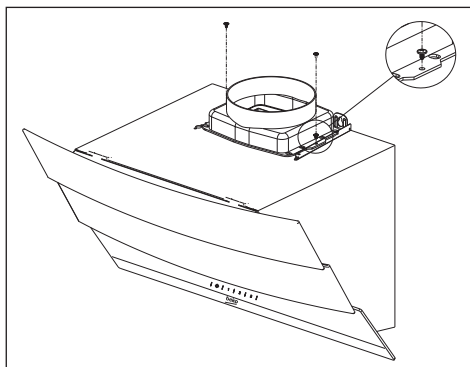
Secure the  $\varnothing 150$  mm plastic flue adapter onto the top of the body with 3.5x9.5 screw included in installation accessories (Figure 4).

If you will use  $\varnothing 120$  mm flue pipe, install  $\varnothing 120$  mm flue adapter onto it.

### 3 Installing your appliance



(Figure 4 - 60)

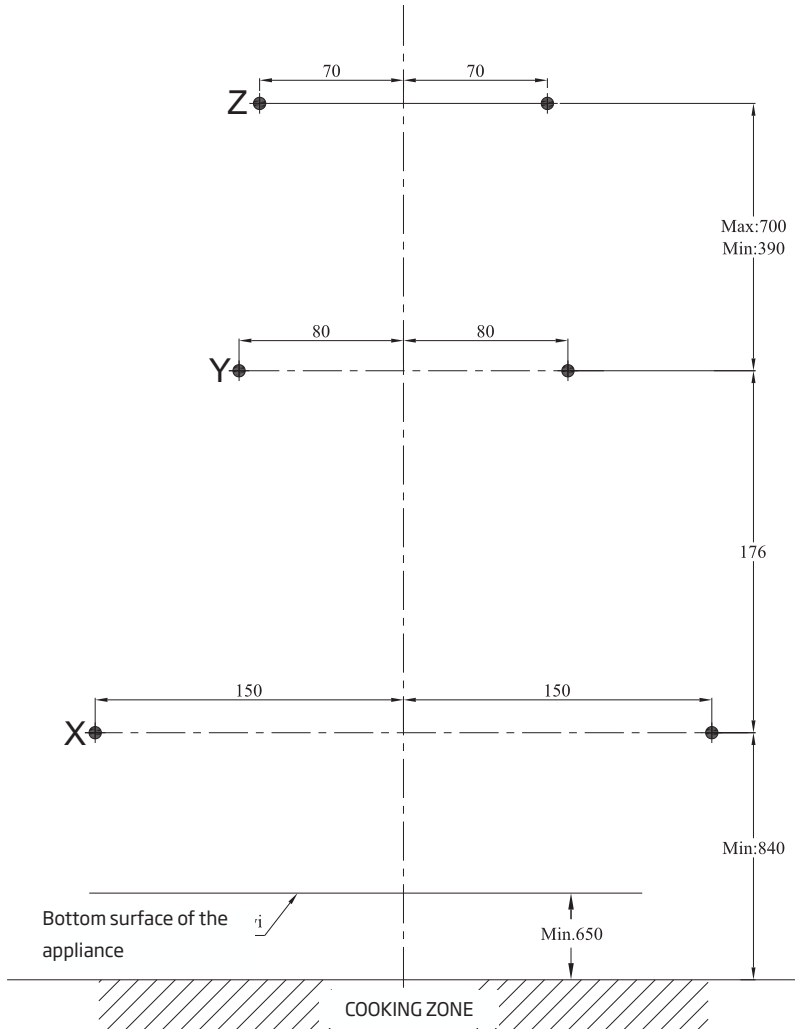
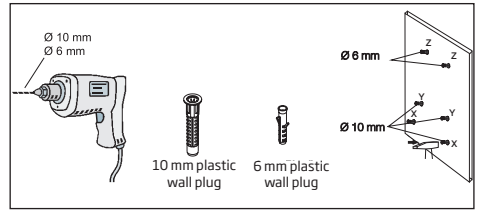


(Figure 4 - 90)

## 3 Installing your appliance

### 3.2.1 Boring the hanger holes

Affix the installation template onto the installation place of the hood. Drill the points marked with (X,Y) (**Figure 5**) using a  $\varnothing 10$  mm bit and points marked with (Z) (**Figure 5**) using a  $\varnothing 6$  mm bit.



(Figure 5)

## 3 Installing your appliance

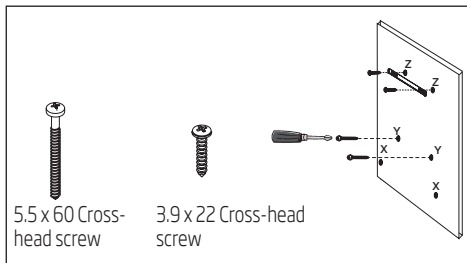
### 3.2.2 Hammering the wall plugs

Hammer  $\varnothing$  10 mm wall plugs (X,Y) into the holes drilled for hanger screws. Hammer 2 x  $\varnothing$  6 mm wall plugs (Z) into the holes drilled with a  $\varnothing$ 6 mm bit for the external flue connection plate. (Figure 5)

### 3.2.3 Installing the hanger screws

Install 5.5x60 hanger screws into the  $\varnothing$  10 mm wall plugs (Y) you have hammered into the wall. There must be a gap of 5 mm between the screw head and the wall. (Figure 6)

Connect the internal flue connection plate to the 6 mm wall plugs (Z) on the wall using  $\varnothing$  3.9x22 screws. (Figure 6)



(Figure 6)

### 3.2.4 Hanging the hood onto the wall

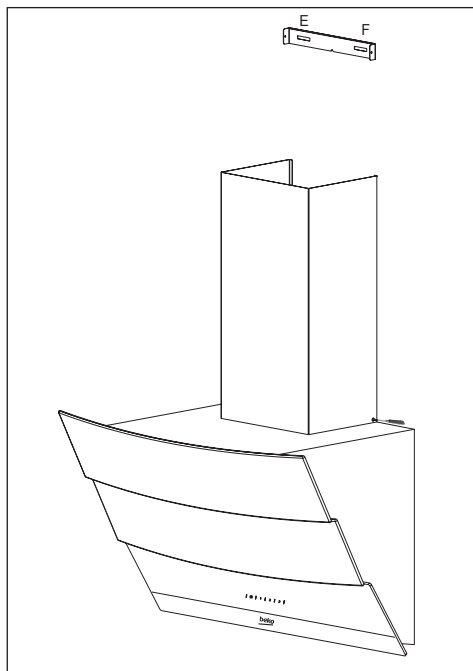
- Hang the hood onto the screws you have installed into the Y holes.
- Open the side suction window of the hood by pulling it towards yourself. Install the 5.5x60 screws through the X holes located inside in order to secure the appliance.

## 3 Installing your appliance

### 3.3 Installing the hood flue

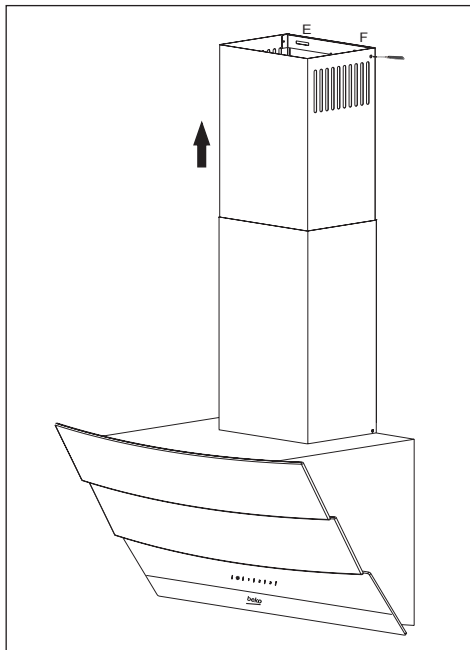
Disconnect the product from mains supply before starting flue installation. Fit the sheet metal flue parts around the body.

Screw the external flue to the external flue connection plates located on the motor housing. (Figure 3b / 7)



(Figure 7)

Extend and screw the internal flue from its outer edges onto the flue connection plate which was secured to the wall (Figure 8).



(Figure 8)

## 3 Installing your appliance

### 3.4.1 Using with flue connection

- The vapour is removed via flue pipe which is secured to the connection head on the hood.
- Diameter of the flue pipe should be equal to the diameter of connection ring. To allow the air be removed easily out of the room in horizontal arrangements, the pipe should be slightly tilted upwards (approximately 10°).

### 3.4.2 Using without flue connection

- Air is filtered by the carbon filter and returned to the room. Carbon filter is used when there is no flue in the house.
- If the hood will be used without flue connection remove the diverters inside the flue adapter.
- Remove the aluminum filter. To install the carbon filter, center the carbon filter on the plastic part on both sides of the fan body, and secure it on the tabs. Secure the filter by turning the tabs to right or left.
- Install the aluminum filter.

## 3.5 Flue connection:

Place adapter supplied together with the hood into the ventilation hole located on the top section of the hood. Procure a pipe with a diameter of 120/150 mm. Connect one end of the pipe to the adapter and the other end to the flue.

Make sure that these two connections are secure enough

so that they will not dislocate when the hood is operated in max. speed. Check that the flaps inside flue are functional when tightened with the clamp. Fit the flue connection pipe onto the adapter. If you fit the flue connection pipe inside the adapter, air suction will not occur since the flaps that prevent air backflow will remain closed.

It is not advisable to make connections to the flues connected with stoves or exhaust shafts. Do not make connections to such flues.

Pipe connection must be as short as possible and have minimum number of elbows.

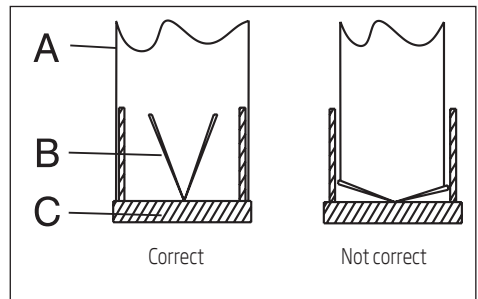
A: Flue outlet pipe

B: Flaps that prevent backflow

C: Plastic flue

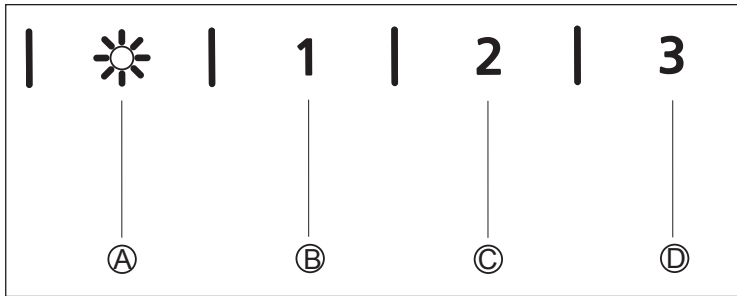
### 3.5.1 Backflow prevention system (N-RV)

When the hood is operated, flaps are closed in order to prevent possible odours and dust from entering into the ambient from outside.



(Figure 9)

## 4 Operating your appliance



(Figure 9)

**(A):** Light On / Off key

**(B):** 1st level key

**(C):** 2nd level key

**(D):** 3rd level key

### 4.1 Digital electronic control with 3 levels

**(A) Light On/Off Key:** You can illuminate the cooking area by pressing this key.

**(B) key:** You can start your hood at speed level 1 by pressing this key.

When you press this key again to switch off the appliance, speed level indication on the display disappears.

**(C) key:** You can start your hood at speed level 2 by pressing this key.

When you press this key again to switch off the appliance, speed level indication on the display disappears.

**(D) key:** You can start your hood at speed level 3 by pressing this key.

When you press this key again to switch off the appliance, speed level indication on the display disappears.

#### Auto-stop in 15 min.:

This appliance is equipped with an Auto-Stop function which allows the appliance to ventilate the room for an additional period of time in order to remove the unpleasant odour and vapour in the room after the cooking is over. Appliance stops automatically after a certain period of time.

To enable the Auto-stop function, press any of the speed level keys (B, C, D) on the control for longer than 2 seconds. A timer with 15 minutes will be activated.

If you press the same speed level key while the Auto-stop function is enabled, function will be disabled and the appliance will stop.

If you select a different speed level this function will be disabled.

If you want your appliance to stop automatically, you must enable the Auto-stop function again.

#### Periodical cleaning of metal filters:

Filters must be cleaned at about every 60 hours of operation or 4 weeks depending on the frequency of usage.



## 4 Operating your appliance

### 4.2 Energy efficient usage:

- When operating the hood, adjust the speed level according to the odour and vapour intensity in order to prevent unnecessary power consumption.
- Use low speeds in normal conditions (1-2), and high speed (3) when smell and vapors are intensified.
- Lights on the hood are intended for illuminating the cooking zone.

Using them to illuminate the ambient/kitchen will result with unnecessary power consumption and inadequate illumination.

### 4.3 Operating the hood:

- Hood is equipped with a motor having various speed settings.
- For a better performance, we advise you to use low speeds in normal conditions, and high speeds when smell and vapors are intensified.
- You can start the hood by pressing the desired speed level key (B,C,D).
- You can illuminate the cooking area by pressing the light key. (A)

## 5 Cleaning and maintenance

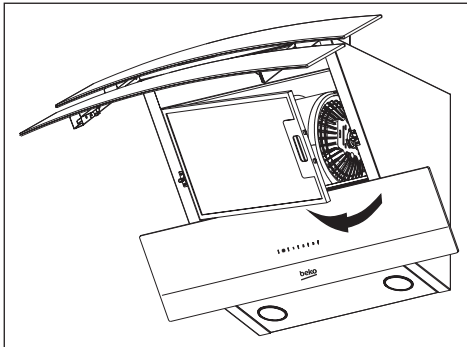
Prior to cleaning and maintenance, unplug the appliance or turn the main switch off or loosen the fuse that supplies the hood.

### 5.1 Aluminum filter

This filter captures oil particles in the air. You are recommended to clean your filter every month under normal usage conditions. First remove the aluminum filters for this process. Wash the filters with liquid detergent and rinse them with water and install them back after they get dry. Aluminum filters may get discolored as they are washed; this is normal and you don't need to change your filter.

#### 5.1.1 Removing the aluminum filters

1. Push the aluminum filter lock forward.
2. Then, slightly lower it and pull forward. Otherwise, you may bend the filter. (Figure 10)  
After the aluminum filter is washed and dried, reinstall the filter to its slot by applying above steps in reverse order.



(Figure 10)



You can also wash aluminum filters in dishwasher.

### Carbon filter (Using without flue)

This filter removes the cooking odours. If it is not possible to use a flue, it purifies the air which is circulated inside the kitchen. Carbon filter of your appliance will get clogged in time depending on the frequency of use, style of cooking and regular cleaning of the aluminum filters.



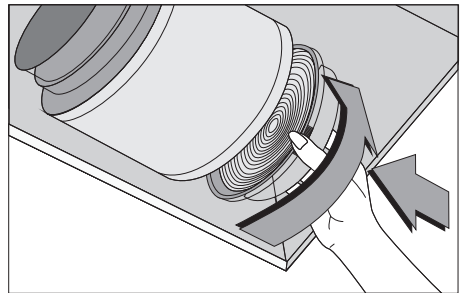
#### Caution!

Carbon filter should never be washed.

You may obtain carbon filters from Beko Authorised Service Agents.

#### 5.2.1 Replacing the carbon filter

- Remove the aluminum filters. (Figure 10)
- To remove carbon filter, turn the tabs counter-clockwise and release the filter. (Figure 11)
- Install the new carbon filter.
- Install the aluminum filters.



(Figure 11)

Anti-odor filters contain charcoal (active carbon). They must be changed with periods of approximately 6 months.

Regardless of using a carbon filter or not, aluminum filters must always be installed.

Do not operate your appliance without the aluminum filter in place. Using with carbon filter will decrease suction performance of the appliance.

## 5 Cleaning and maintenance

### 5.3 Cleaning

Particularly do not neglect to clean your hood immediately after you have made frying.

Use a soft cloth soaked with liquid detergent to clean the outer surface of your hood.

Never use abrasive or scratching materials for cleaning.

You may use the cleaning agents commercially available for persistent grease etc. by following the warnings on the product. In order not to scratch the brushed steel body, wipe in the same direction with the brush trace.

Do not use cleaning agents containing hydrochloric acid, bleach or abrasive powders in order to maintain the surface quality of your product. Use a cloth dampened in soapy water or special stainless steel cleaning spray for stainless steel surfaces. Remove the protective foil on the appliance.



#### Caution!

You may cause a fire if you do not follow the instructions on the cleaning and replacement of the filters of your hood.

If you need to transport the appliance:

- Keep the original packaging of the appliance. Transport the appliance with its original package, and follow the transport markings on the original package.

#### If you do not have the original package:

- Do not place any objects on the hood.
- Protect the outer surface from impacts.
- Pack the appliance so that it would not be damaged during transport.

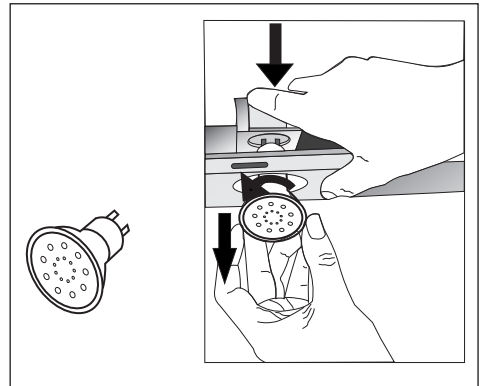
### 5.4 Replacing the lamps

Disconnect the hood from the mains supply.

This appliance is equipped with 3 W LED lamps.

To replace the LED lamps, press the lamp downwards from the rear section of the lamp holder to release the lamp. Then turn it counterclockwise by 1/4 tour and remove it.

Perform the above steps in reverse order to fit the new lamps.



You may procure lamps from Authorised Service Agents.

# Bitte lesen Sie zuerst diese Anleitung!




Werter Kunde,

Danke, dass Sie sich für ein Produkt der Marke Beko entschieden haben. Wir hoffen, dass Sie mit diesem Produkt, das mit den höchsten Qualitätsanforderungen und der modernsten Technologie hergestellt wurde, beste Ergebnisse erzielen. Bitte lesen Sie diese gesamte Bedienungsanleitung und alle anderen Begleitdokumente aufmerksam, bevor Sie das Produkt verwenden; bewahren Sie sie zum künftigen Nachschlagen sicher auf. Wenn Sie das Produkt an einen Dritten weitergeben, händigen Sie bitte auch diese Anleitung aus. Befolgen Sie alle Warnhinweise und Informationen in dieser Anleitung.

Bitte denken Sie daran, dass diese Anleitung auch für einige andere Modelle erstellt wurde. Auf Unterschiede zwischen verschiedenen Modellen wird in dieser Anleitung hingewiesen.

## Erklärung der Symbole

In dieser Anleitung werden die folgenden Symbole verwendet:

	Wichtige Informationen oder nützliche Tipps in Bezug auf die Verwendung.
	Warnung vor Situationen, die Personen- und Sachschäden zur Folge haben können.
	Warnung vor Stromschlägen.



Dieses Produkt wurde mit der modernsten Technologie und unter umweltfreundlichen Bedingungen hergestellt.

Das Gerät erfüllt die Vorgaben der WEEE Richtlinie.



PCB-frei

Dieser Abschnitt erklärt Sicherheitsanweisungen, die beim Schutz vor Personen- und Sachschäden helfen. Jegliche Garantien erlöschen, falls Sie diese Anweisungen nicht befolgen.

## 1.1 Allgemeine Sicherheit

- Lassen Sie Installations- und Reparaturarbeiten immer von autorisierten Serviceagenten durchführen. Der Hersteller übernimmt keine Haftung für Schäden in Folge von Arbeitsschritten, die von unautorisierten Personen vorgenommen wurden.
  - Dieses Gerät darf nicht von Personen (einschließlich Kindern) benutzt werden, die unter körperlichen oder geistigen Einschränkungen leiden oder denen es an der nötigen Erfahrung im Umgang mit solchen Geräten mangelt. Kinder sollten soweit beaufsichtigt werden, dass sie nicht mit dem Gerät spielen.
- ### 1.1.1 Elektrische Sicherheit
- Trennen Sie das Produkt während Installations-, Wartungs-, Reinigungs- und Reparaturarbeiten von der Stromversorgung.
  - Falls das Netzkabel beschädigt ist, muss es zur Vermeidung möglicher Gefahren vom Hersteller, Kundendienst oder einer ähnlich qualifizierten Person (idealerweise einem Elektriker) bzw. einer vom Importeur beauftragten Person ersetzt werden.
  - Die Betriebsspannung beträgt 220 bis 240 Volt.
  - Falls das Gerät einen Fehler aufweist, darf es erst nach Reparatur durch den autorisierten Kundendienst wieder in Betrieb genommen werden. Es besteht Stromschlaggefahr!
  - Netzkabel nicht in der Nähe von Kochfeldern verlegen. Andernfalls kann das Netzkabel einen Brand verursachen, da es leicht schmilzt.
  - Dunstabzugshaube niemals vor Abschluss der Installation an die Stromversorgung anschließen.
  - Zur Erzielung optimaler Leistung darf der Abzug nicht länger als 4 m sein.

Er darf nicht mehr als 2 rechtwinklige (90 °) Biegungen enthalten; sein Durchmesser muss mindestens 120 mm betragen.

- Trennen Sie das Gerät vor jeglicher Handhabung der internen Teilen des Gerätes von der Stromversorgung.

## 1.1.2 Produktsicherheit

- Sie können ein Rohr mit einem Durchmesser von 120 oder 150 mm am Abluftanschluss der Dunstabzugshaube verwenden.
- Keine Verbindungen zu Schächten herstellen, die mit Öfen, Abluftschächten oder Kaminen mit aufsteigenden Flammen verbunden sind. Beachten Sie behördliche Richtlinien zur Ableitung von Abluft.
- Der Abstand zwischen Unterkante der Dunstabzugshaube und Oberfläche des Ofens/Backofens darf nicht weniger als 65 cm betragen.
- Dunstabzugshaube nicht ohne Aluminiumfilter betreiben; Filter nicht entfernen, während die Dunstabzugshaube in Betrieb ist.
- Lampe der Dunstabzugshaube niemals berühren, wenn sich das Gerät bereits längere Zeit in Betrieb befindet. Die Lampen können heiß sein und Verbrennungen verursachen.
- Vermeiden Sie hohe Flammen unter dem Produkt. Andernfalls kann sich im Aluminiumfilter gesammelte Partikel entzünden und einen Brand verursachen.
- Schalten Sie Kochfelder erst ein, nachdem Sie Kochgeschirr darauf gestellt haben. Andernfalls kann die steigende Temperatur bestimmte Teile Ihres Produktes verformen.
- Schalten Sie die Kochfelder ab, bevor Sie das Kochgeschirr herunternehmen.
- Vermeiden Sie entflammbare Materialien unter der Dunstabzugshaube.
- Öl kann sich beim Braten entzünden. Achten Sie daher besonders auf Kleidung und Vorhänge.
- Lassen Sie das Kochgerät niemals unbeaufsichtigt, während Sie braten; erhitztes Öl kann Feuer fangen.

# 1

## Wichtige Sicherheits- und Umweltausweisungen

- Falls die Dunstabzugshaube nicht in den angegebenen Intervallen gereinigt wird, besteht Brandgefahr.
- Seien Sie bei der Reinigung der Dunstabzugshaube extrem vorsichtig, tragen Sie Handschuhe.
- Zur Steigerung der Saugleistung empfehlen wir Ihnen, das Gerät einige Minuten vor Beginn des Kochens oder Bratens in Betrieb zu nehmen. Dadurch erhalten Sie eine kontinuierliche und stabile Saugleistung, sobald Küchendünste entstehen.
- Dunstabzugshaube nach Abschluss des Kochens oder Bratens 15 Minuten weiterlaufen lassen, damit Küchendünste entfernt werden.
- Achten Sie bei Benutzung der Dunstabzugshaube - insbesondere in Verbindung mit Gasherden - auf eine ausreichende Frischluftzufuhr.
- Achten Sie darauf, das Gerät nicht an Abzugsschächte anzuschließen, die von nicht elektrischen Geräten verwendet werden. (Bsp.: Heizungsschacht).
- Wenn ein nicht elektrisch betriebenes Gerät gleichzeitig gemeinsam mit der Dunstabzugshaube in einer Umgebung verwendet wird, darf der Unterdruck im Raum maximal 0,4 mbar betragen, damit die Dunstabzugshaube die Abluft des anderen Gerätes nicht in den Raum saugt.

### 1.1.3 Sicherheit von Kindern

- Verpackungsmaterialien können für Kinder gefährlich sein. Bewahren Sie Verpackungsmaterialien an einem sicheren Ort außerhalb der Reichweite von Kindern auf.
- Elektrische Geräte können für Kinder gefährlich sein. Halten Sie Kinder stets vom Produkt fern. Verboten Sie Kindern, mit dem Gerät zu spielen.

### 1.2 Zweckmäßiger Gebrauch

- Dieses Gerät ist für den privaten Gebrauch bestimmt. Es eignet sich nicht zum kommerziellen Einsatz und darf nicht zweckentfremdet verwendet werden.

- Der Hersteller haftet nicht für Schäden aufgrund von unsachgemäßer Benutzung oder Handhabung.
- Die Betriebslebenszeit des Gerätes beträgt 10 Jahre. Dies ist der Verfügbarkeitszeitraum von Ersatzteilen, damit das Produkt richtig funktioniert.

## 1.3 Konformität mit WEEE-Richtlinie und Entsorgung von Altgeräten



Dieses Produkt enthält keine der in der vom türkischen Ministerium für Umwelt und Urbanisierung ausgestellten Richtlinie zur Beschränkung der Verwendung bestimmter gefährlicher Stoffe in Elektro- und Elektronikgeräten (WEEE) beschriebenen gefährlichen oder verbotenen Materialien.

Das Gerät erfüllt die Vorgaben der WEEE-Richtlinie.

Dieses Produkt wurde aus hochwertigen Teilen und Materialien hergestellt, die wiederverwendet werden können und zum Recycling geeignet sind. Deshalb darf das Gerät am Ende seiner Einsatzzeit nicht mit dem normalen Hausmüll entsorgt werden.

Geben Sie das Gerät bei einer Sammelstelle für das Recycling von elektrischen und elektronischen Geräten ab. Bitte informieren Sie sich bei Ihren örtlichen Behörden nach Sammelstellen in Ihrer Nähe. Durch das Recycling von Altgeräten helfen Sie beim Schutz von Umwelt und natürlichen Rohstoffen.

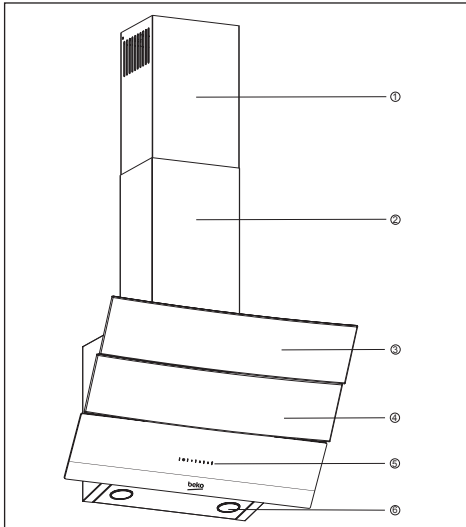
## 1.4 Informationen zur Verpackung



Die Produktverpackung besteht gemäß der nationalen Gesetzgebung aus recyclingfähigen Materialien. Entsorgen Sie Verpackungsabfälle nicht gemeinsam mit dem Hausmüll oder anderen Abfällen; bringen Sie sie zu von der örtlichen Behörde ausgewiesenen Verpackungssammelstellen.



## 2 Technische Daten des Gerätes



1. Internes Rohr
2. Externes Rohr
3. Glasabdeckung
4. Filter (unter der Glasabdeckung)
5. Bedienfeld
6. Beleuchtung

(Abbildung 1)

	HCA 92640 BH	HCA 92640 WH	HCA 62640 W	HCA 62640 WH
Breite	896 mm	896 mm	596 mm	596 mm
Tiefe	393 mm	393 mm	386 mm	386 mm
Höhe	750 mm / 1130 mm	750 mm / 1130 mm	750 mm / 1080 mm	750 mm / 1080 mm
Betriebsspannung	220 - 240 V Wechselspannung, 50 Hz	220 - 240 V Wechselspannung, 50 Hz	220 - 240 V Wechselspannung, 50 Hz	220 - 240 V Wechselspannung, 50 Hz
Steuerung	Mit 3 Stufen	Mit 3 Stufen	Mit 3 Stufen	Mit 3 Stufen
Lampenleistung	2 x 3 W	2 x 3 W	2 x 3 W	2 x 3 W
Abluftrohr	120 / 150 mm	120 / 150 mm	120 / 150 mm	120 / 150 mm
Kapazität	577 m <sup>3</sup> /h	577 m <sup>3</sup> /h	537 m <sup>3</sup> /h	537 m <sup>3</sup> /h
Motorleistung	1 x 210 W	1 x 210 W	1 x 210 W	1 x 210 W
Gesamtleistung	216 W	216 W	216 W	216 W
Nettogewicht	13 kg	13 kg	10,4 kg	10,4 kg
Farbe	Schwarz	Weiß	Weiß	Weiß

Die an Produktetiketten oder in der mitgelieferten Dokumentation angegebenen Werte werden unter Laborbedingungen unter Einhaltung relevanter Standards ermittelt. Diese Werte können je nach Einsatzumgebung und Nutzungsweise des Gerätes variieren.

## 2 Technische Daten des Gerätes

	HCA 62640 B	HCA 62640 BH	HCA 62540 B	HCA 92540 B
Breite	596 mm	596 mm	596 mm	896 mm
Tiefe	386 mm	386 mm	386 mm	393 mm
Höhe	750 mm /1080 mm	750 mm /1080 mm	750 mm /1080 mm	750 mm /1130 mm
Betriebsspannung	220 - 240 V Wechselspannung, 50 Hz	220 - 240 V Wechselspannung, 50 Hz	220 - 240 V Wechselspannung, 50 Hz	220 - 240 V Wechselspannung, 50 Hz
Steuerung	Mit 3 Stufen	Mit 3 Stufen	Mit 3 Stufen	Mit 3 Stufen
Lampenleistung	2 x 3 W	2 x 3 W	2 x 3 W	2 x 3 W
Abluftrohr	120 / 150 mm	120 / 150 mm	120 / 150 mm	120 / 150 mm
Kapazität	537 m <sup>3</sup> /h	537 m <sup>3</sup> /h	566 m <sup>3</sup> /h	593 m <sup>3</sup> /h
Motorleistung	1 x 210 W	1 x 210 W	1 x 210 W	1 x 210 W
Gesamtleistung	216 W	216 W	216 W	216 W
Nettogewicht	10,4 kg	10,4 kg	10,4 kg	13 kg
Farbe	Schwarz	Schwarz	Schwarz	Schwarz

	HCA 62641 BH	HCA 62641 WH	HCA 92641 BH	HCA 92641 WH
Breite	596 mm	596 mm	896 mm	896 mm
Tiefe	386 mm	386 mm	393 mm	393 mm
Höhe	750 mm /1080 mm	750 mm /1080 mm	750 mm /1130 mm	750 mm /1130 mm
Betriebsspannung	220 - 240 V Wechselspannung, 50 Hz	220 - 240 V Wechselspannung, 50 Hz	220 - 240 V Wechselspannung, 50 Hz	220 - 240 V Wechselspannung, 50 Hz
Steuerung	Mit 3 Stufen	Mit 3 Stufen	Mit 3 Stufen	Mit 3 Stufen
Lampenleistung	2 x 3 W	2 x 3 W	2 x 3 W	2 x 3 W
Abluftrohr	120 / 150 mm	120 / 150 mm	120 / 150 mm	120 / 150 mm
Kapazität	638 m <sup>3</sup> /h	638 m <sup>3</sup> /h	648 m <sup>3</sup> /h	648 m <sup>3</sup> /h
Motorleistung	1 x 210 W	1 x 210 W	1 x 210 W	1 x 210 W
Gesamtleistung	216 W	216 W	216 W	216 W
Nettogewicht	10,4 kg	10,4 kg	13 kg	13 kg
Farbe	Schwarz	Weiß	Schwarz	Weiß

## 3 Gerät installieren

Zur Installation der Dunstabzugshaube wenden Sie sich bitte an das nächstgelegene **authorisierte Kundencenter**.

\*Vorbereitung von Installationsort sowie Elektroinstallation des Produktes liegen in der Verantwortung des Kunden.

### Achtung!



Nach der Installation Schutzfolie (sofern vorhanden) von Dunstabzugshaube und Abluftrohr entfernen.

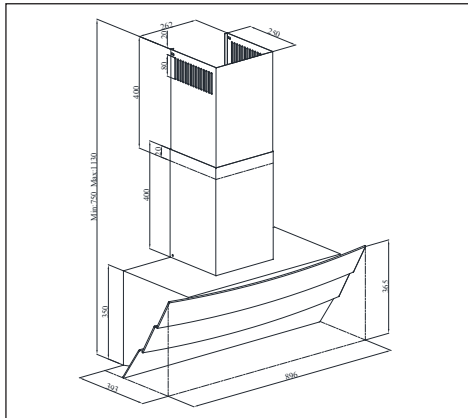
Der Abstand zwischen der Unterseite der Haube und der Oberseite des Herds sollte mindestens **65 cm** betragen.

Der elektrische Anschluss sollte von einem qualifizierten Elektriker durchgeführt werden.

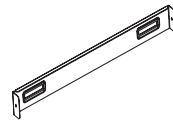
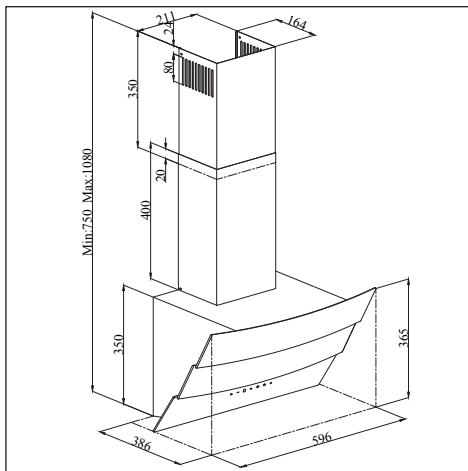
Installieren Sie Ihr Gerät so, dass der elektrische Anschluss (Stecker, Steckdose) nach der Installation leicht zugänglich ist.

Alle Abmessungen sind in mm angegeben.

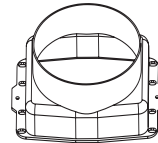
### 3.1 Installationszubehör



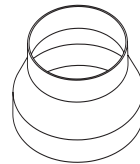
(Abbildung 2)



1 x Abzugsanschlussplatte



1 x Kunststoffabzug  
(Ø 150 mm)



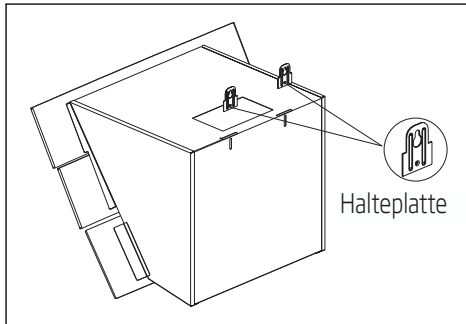
1 x Kunststoffabzugadapter  
(Ø 120/150 mm)

## 3 Gerät installieren

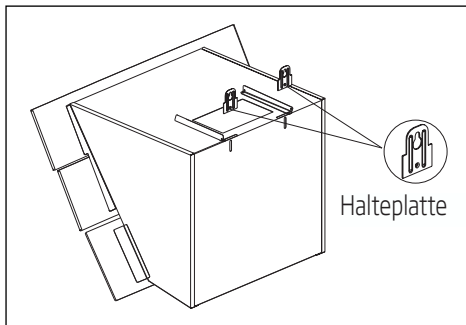
Nachstehend finden Sie die zur Vorbereitung des Installationsstandortes benötigten Informationen.

### 3.2 Dunstabzugshaube an der Wand installieren

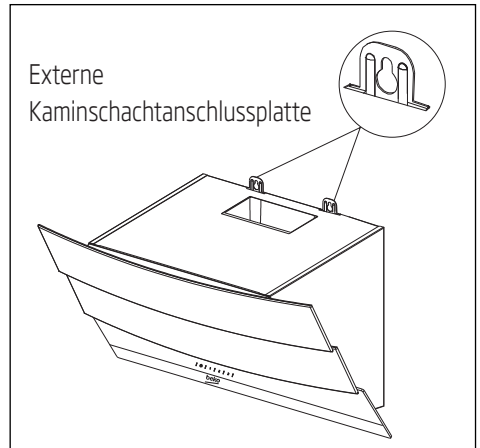
Zum Installieren der Dunstabzugshaube an der Wand die Schrauben der Halteplatten am Motorgehäuse lösen und die Platten nach oben ziehen. Anschließend die Schrauben der Halteplatten festziehen. **(Abbildung 3a).**



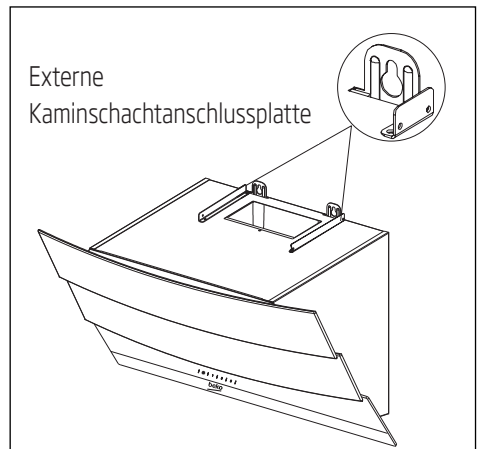
**(Abbildung 3a - 60)**



**(Abbildung 3a - 90)**



**(Abbildung 3b - 60)**

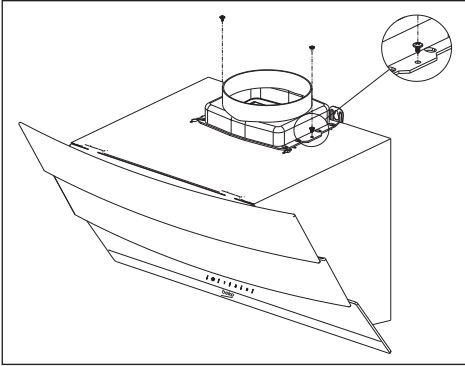


**(Abbildung 3b - 90)**

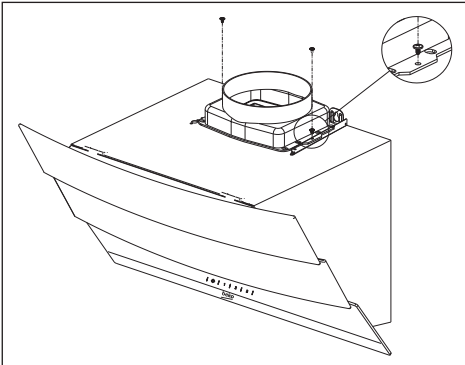
Befestigen Sie den Kunststoffrohradapter mit einem Durchmesser von 150 mm mit Schrauben (3,5 x 9,5) aus dem Installationszubehör an der Oberseite des Gehäuses **(Abbildung 4)**.

Falls Sie das Abzugsrohr mit einem Durchmesser von 120 mm verwenden, installieren Sie den 120-mm-Rohradapter daran.

### 3 Gerät installieren



(Abbildung 4 - 60)

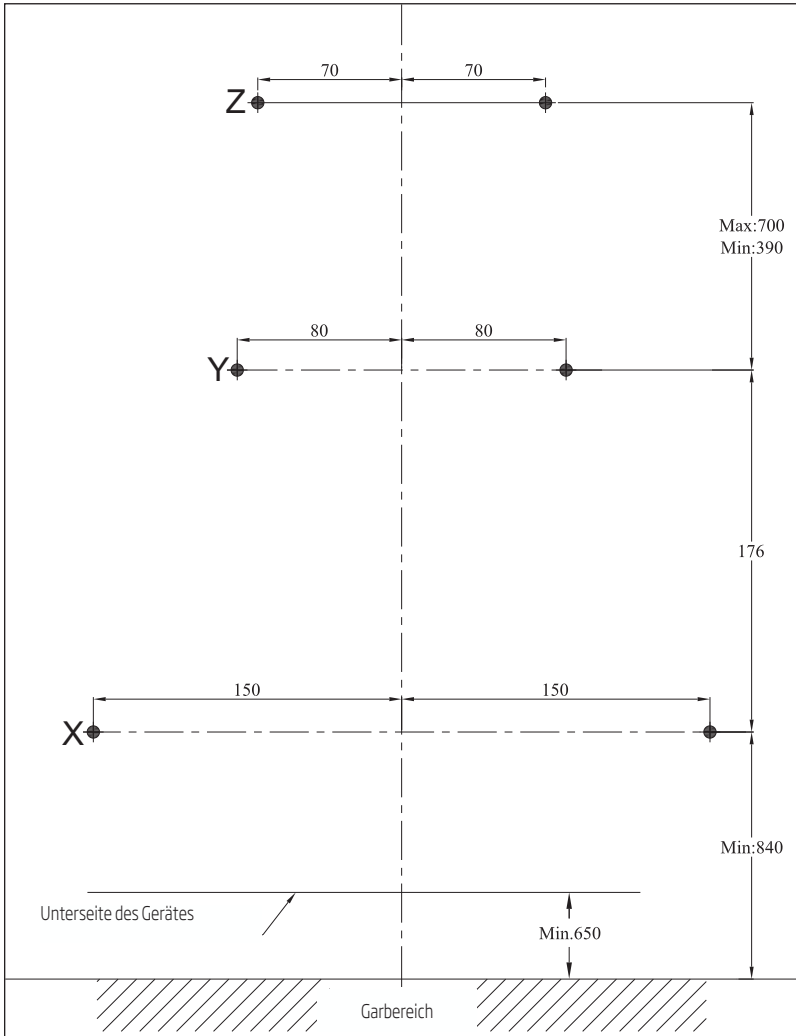
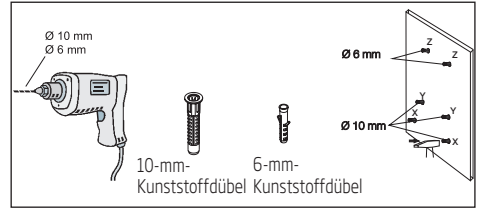


(Abbildung 4 - 90)

# 3 Gerät installieren

## 3.2.1 Löcher bohren

Bringen Sie die Installationsschablone am Installationsort der Dunstabzugshaube an. Bohren Sie an den mit (X,Y) (**Abbildung 5**) markierten Punkten mit einem 10-mm-Bohrer und an den mit (Z) (**Abbildung 5**) markierten Punkten mit einem 6-mm-Bohrer.



(Abbildung 5)

## 3 Gerät installieren

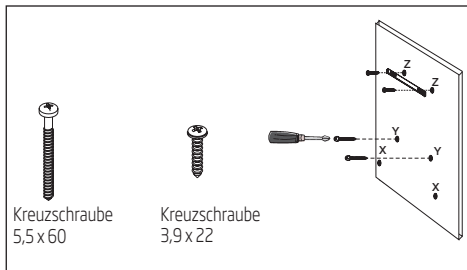
### 3.2.2 Dübel einsetzen

Schlagen Sie die 10-mm-Dübel (X, Y) mit einem Hammer in die für die Halteschrauben gebohrten Löcher. Schlagen Sie zwei 6-mm-Dübel (Z) mit einem Hammer in die für die externe Kaminschachtanschlussplatte mit einem 6-mm-Bohrer gebohrten Löcher. **(Abbildung 5)**

### 3.2.3 Halteschrauben installieren

Drehen Sie die Halteschrauben (5,5 x 60) in die 10-mm-Dübeln (Y), die Sie mit einem Hammer in die Wand geschlagen haben. Zwischen Schraubkopf und Wand muss ein Abstand von 5 mm eingehalten werden. **(Abbildung 6)**

Befestigen Sie die interne Kaminschachtanschlussplatte mit Schrauben (Ø 3,9 x 22) an den 6-mm-Dübeln (Z) in der Wand. **(Abbildung 6)**



**(Abbildung 6)**

### 3.2.4 Dunstabzugshaube an die Wand hängen

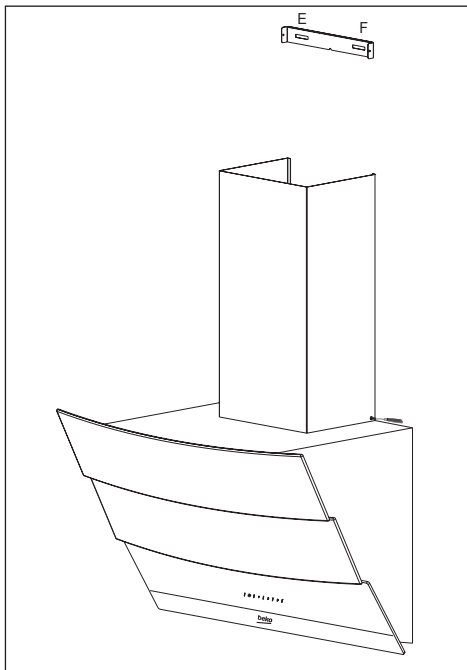
- Hängen Sie die Dunstabzugshaube in die Schrauben ein, die Sie in den Y-Löchern installiert haben.
- Öffnen Sie das seitliche Saugfenster der Dunstabzugshaube, indem Sie es zu sich ziehen. Installieren Sie die Schrauben (5,5 x 60) zur Befestigung des Gerätes in den Löchern X an der Innenseite.

## 3 Gerät installieren

### 3.3 Abzugsschacht installieren

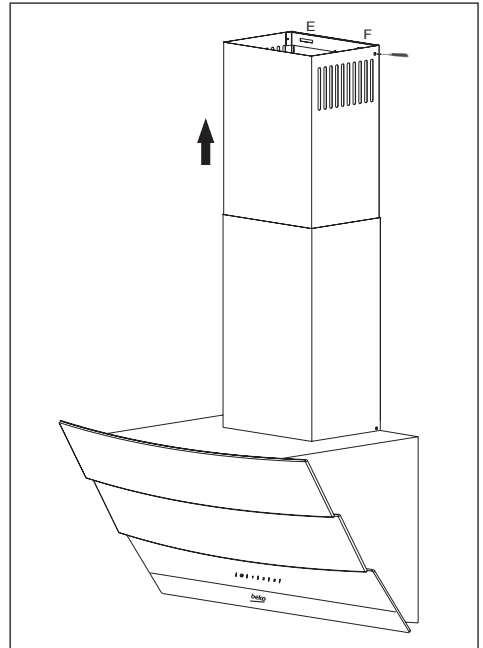
Trennen Sie das Produkt vor dem Kaminschachtanschluss von der Stromversorgung. Bringen Sie die Blechabzugsteile rund um das Gehäuse an.

Schrauben Sie den externen Abzugsschacht an die externen Kaminschachtanschlussplatten am Motorgehäuse. **(Abbildung 3b / 7)**



**(Abbildung 7)**

Verlängern und Schrauben Sie den internen Abzugsschacht von seinen Außenkanten an die Kaminschachtanschlussplatte, die an der Wand befestigt wurde **(Abbildung 8)**.



**(Abbildung 8)**



## 3 Gerät installieren

### 3.4.1 Mit Kaminschachtanschluss verwenden

- Die Dünste werden durch das Abluftanschlussrohr entfernt, das am Anschlusskopf an der Dunstabzugshaube befestigt wird.
- Der Durchmesser des Abluftanschlussrohrs sollte dem des Anschlussrings entsprechen. Damit die Luft bei horizontalen Arrangements problemlos aus dem Raum entfernt werden kann, sollte das Rohr leicht nach oben geneigt sein (etwa 10°).

### 3.4.2 Ohne Kaminschachtanschluss verwenden

- Die Luft wird durch den Aktivkohlefilter gereinigt und in den Raum zurückgegeben. Der Aktivkohlefilter wird benutzt, wenn kein Abzugsschacht im Haus vorhanden ist.
- Falls die Dunstabzugshaube ohne Kaminschachtanschluss verwendet wird, entfernen Sie die Umleiter im Rohradapter.
- Entfernen Sie den Aluminiumfilter. Installieren Sie den Aktivkohlefilter, indem Sie den Aktivkohlefilter am Kunststoffteil an beiden Seiten des Lüftergehäuses zentrieren und an den Nasen befestigen. Befestigen Sie den Filter durch Drehen der Nasen nach rechts oder links.
- Setzen Sie den Aluminiumfilter ein.

## 3.5 Kaminschachanschluss:

Platzieren Sie den mit der Dunstabzugshaube gelieferten Adapter im Luftloch im oberen Bereich der Dunstabzugshaube. Besorgen Sie ein Rohr mit einem Durchmesser von 120/150 mm. Verbinden Sie ein Ende des Rohrs mit dem Adapter und das andere Ende mit dem Abzugsschacht.

Stellen Sie sicher, dass diese beiden Verbindungen so fest sind, dass sie nicht verrutschen, wenn die Dunstabzugshaube bei maximaler Geschwindigkeit arbeitet.

Prüfen Sie, ob die Klappen im Abzugsschacht arbeiten, wenn sie mit der Klemme festgezogen sind. Bringen Sie das Abluftanschlussrohr am Adapter an. Wenn Sie das Abluftanschlussrohr im Adapter befestigen, wird keine Luft angesaugt, da die Klappen zur Vermeidung eines Rückstroms geschlossen bleiben.

Es sollten keine Anschlüsse an Kaminschächte durchgeführt werden, die mit Öfen oder Abluftschächten verbunden sind. Stellen Sie keine Verbindungen zu solchen Kaminschächten her. Der Rohranschluss muss möglichst kurz sein und eine minimale Anzahl an Biegungen aufweisen.

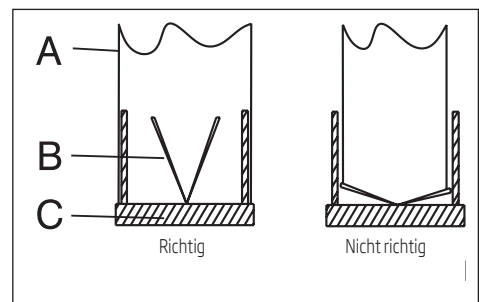
A: Abluftrohr

B: Klappen, die Rückstrom verhindern

C: Kunststoffrohr

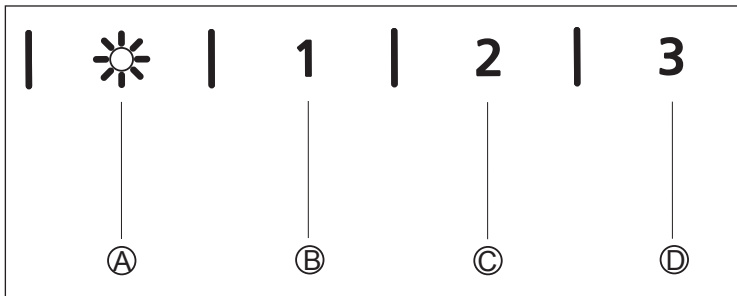
### 3.5.1 Rückstromsperrsystem (N-RV)

Wenn sich die Dunstabzugshaube in Betrieb befindet, werden die Klappen geschlossen, damit Gerüche und Staub nicht von außen in die Umgebung gelangen können.



(Abbildung 9)

## 4 Gerät bedienen



(Abbildung 9)

**(A)** : Taste Licht ein / aus

**(B)** : Taste 1. Stufe

**(C)** : Taste 2. Stufe

**(D)** : Taste 3. Stufe

### 4.1 Digitale elektronische Steuerung mit 3 Stufen

**Taste Licht ein/aus (A)** : Mit dieser Taste können Sie den Garbereich beleuchten.

**Taste (B)**: Mit dieser Taste können Sie Ihre Dunstabzugshaube bei Geschwindigkeitsstufe 1 starten.

Wenn Sie diese Taste zum Abschalten des Gerätes noch einmal drücken, verschwindet die Anzeige der Geschwindigkeitsstufe im Display.

**Taste (C)**: Mit dieser Taste können Sie Ihre Dunstabzugshaube bei Geschwindigkeitsstufe 2 starten.

Wenn Sie diese Taste zum Abschalten des Gerätes noch einmal drücken, verschwindet die Anzeige der Geschwindigkeitsstufe im Display.

**Taste (D)**: Mit dieser Taste können Sie Ihre Dunstabzugshaube bei Geschwindigkeitsstufe 3 starten.

Wenn Sie diese Taste zum Abschalten des Gerätes noch einmal drücken, verschwindet die Anzeige der Geschwindigkeitsstufe im Display.

### Auto-Stopp in 15 Minuten:

Dieses Gerät ist mit einer Auto-Stopp-Funktion ausgestattet, die es dem Gerät ermöglicht, den Raum über eine zusätzliche Zeitspanne zu belüften und unangenehme Gerüche sowie Dünste nach dem Kochen zu beseitigen. Das Gerät stoppt nach einem bestimmten Zeitraum automatisch.

Halten Sie zum Aktivieren der Auto-Stopp-Funktion eine beliebige Geschwindigkeitseinstelltaste (B, C, D) am Bedienfeld länger als 2 Sekunden gedrückt. Ein Timer mit 15 Minuten wird aktiviert.

Wenn Sie dieselbe Geschwindigkeitstaste bei aktiver Auto-Stopp-Funktion erneut drücken, wird die Funktion deaktiviert und das Gerät stellt den Betrieb ein.

Wenn Sie eine andere Geschwindigkeitsstufe wählen, wird diese Funktion deaktiviert.

Falls Sie möchten, dass Ihr Gerät automatisch stoppt, müssen Sie die Auto-Stopp-Funktion wieder aktivieren.

## 4 Gerät bedienen

### Regelmäßige Reinigung der Metallfilter:

Filter müssen je nach Nutzungsfrequenz etwa alle 60 Betriebsstunden oder alle 4 Wochen gereinigt werden.

### 4.2 Energieeffiziente Benutzung:

- Vermeiden Sie unnötigen Energieverbrauch, indem Sie bei Verwendung der Dunstabzugshaube die Geschwindigkeitsstufe entsprechend der Geruchs- und Dunstintensität anpassen.
- Unter normalen Bedingungen sollten Sie die geringen Geschwindigkeitsstufen (1 bis 2) und bei intensiven Gerüchen und Dämpfen die hohe Geschwindigkeit (3) verwenden.
- Die Lampen an der Dunstabzugshaube dienen der Beleuchtung des Garbereichs.

Ihr Einsatz zur Beleuchtung der Umgebung/Küche führt zu unnötigem Energieverbrauch und unangemessener Beleuchtung.

### 4.3 Dunstabzugshaube bedienen:

- Die Dunstabzugshaube ist mit einem Motor mit verschiedenen Geschwindigkeitsstufen ausgestattet.
- Zur Erzielung besserer Leistung sollten Sie unter normalen Bedingungen die geringen Geschwindigkeiten und bei intensiven Gerüchen und Dämpfen die hohe Geschwindigkeit verwenden.
- Sie können die Dunstabzugshaube durch Betätigung der gewünschten Geschwindigkeitseinstelltaste (B, C, D) in Betrieb nehmen.
- Sie können den Garbereich mit der Lichttaste beleuchten. (A)

## 5 Reinigung und Wartung

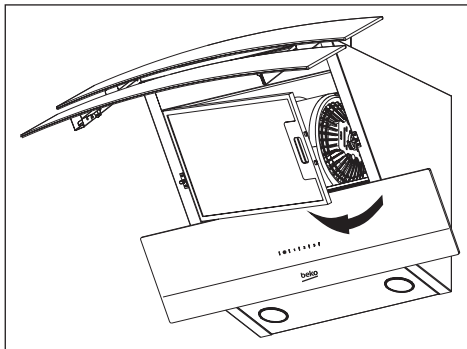
Denken Sie daran, vor Reinigungs- und Wartungsarbeiten den Netzstecker zu ziehen, den Hauptschalter zu deaktivieren oder die Sicherung der Dunstabzugshaube rauszunehmen.

### 5.1 Aluminiumfilter

Dieser Filter fängt Ölpartikel in der Luft auf. Es wird empfohlen, den Filter bei normalem Gebrauch jeden Monat zu reinigen. Entfernen Sie dazu zunächst die Aluminiumfilter. Filter mit Flüssigreinerer waschen und mit Wasser abspülen; anschließend nach dem Trocknen wieder installieren. Aluminiumfilter können sich durch regelmäßiges Waschen verfärben; dies ist normal und bedeutet nicht, dass Sie sie wechseln müssen.

#### 5.1.1 Aluminiumfilter entfernen

1. Riegel des Aluminiumfilters nach vorne drücken.
2. Dann leicht absenken und nach vorne ziehen. Andernfalls könnten Sie den Filter biegen. **(Abbildung 10)** Nach Waschen und Trocknen des Aluminiumfilters setzen Sie ihn wieder in seinen Schlitz ein, indem Sie die obigen Schritte in umgekehrter Reihenfolge befolgen.



**(Abbildung 10)**



Aluminiumfilter können auch im Geschirrspüler gereinigt werden.

### Aktivkohlefilter (Verwendung ohne Abzugsschacht)

Dieser Filter entfernt Küchengerüche. Falls kein Abzugsschacht verwendet werden kann, filtert er die in der Küche zirkulierende Luft. Der Aktivkohlefilter Ihres Gerätes setzt sich je nach Häufigkeit der Benutzung, Zubereitungsstil und Reinigungsintervall der Aluminiumfilter mit der Zeit zu.



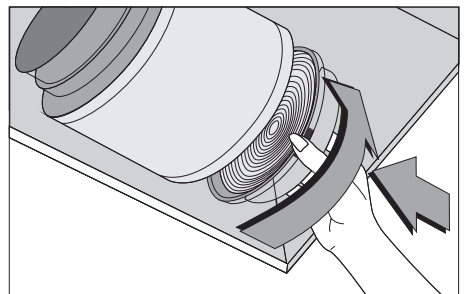
#### Achtung!

Aktivkohlefilter dürfen unter keinen Umständen gereinigt werden.

**Sie können Aktivkohlefilter bei von Beko autorisierten Kundendiensten erhalten.**

#### 5.2.1 Aktivkohlefilter ersetzen

- Aluminiumfilter entfernen. **(Abbildung 10)**
- Nasen zum Entfernen des Aktivkohlefilters gegen den Uhrzeigersinn drehen und Filter entriegeln. **(Abbildung 11)**
- Neuen Aktivkohlefilter installieren.
- Aluminiumfilter einsetzen.



**(Abbildung 11)**

Geruchsfilter enthalten Aktivkohle.

Sie müssen regelmäßig etwa alle 6 Monate erneuert werden.

Aluminiumfilter müssen unabhängig von der Verwendung eines Aktivkohlefilters immer installiert sein.

## 5 Reinigung und Wartung

Nehmen Sie Ihr Gerät nicht ohne eingesetzten Aluminiumfilter in Betrieb. Die Verwendung mit Aktivkohlefilter verringert die Saugleistung des Gerätes.

### 5.3 Reinigung

Keinesfalls vergessen, die Dunstabzugshaube direkt nach dem Braten zu reinigen.

Außenseite der Dunstabzugshaube mit einem mit flüssigem Reinigungsmittel angefeuchteten Tuch reinigen.

Zur Reinigung niemals scheuernde oder kratzende Reiniger verwenden.

Bei der Reinigung mit handelsüblichen Mitteln gegen hartnäckiges Fett etc. die Warnhinweise am Produkt beachten. Zur Vermeidung von Kratzern an Gehäusen aus gebürstetem Stahl in Richtung der Bürstenspuren wischen.

Zur Wahrung der Oberflächenqualität Ihres Produktes keine Reinigungsmittel verwenden, die Chlorwasserstoffsäure, Bleichmittel oder Scheuerpulver enthalten. Für Edelstahloberflächen ein mit Seifenwasser oder speziellem Edelstahl-Reinigungsspray angefeuchtetes Tuch verwenden. Schutzfolie vom Gerät entfernen.

#### Achtung!

Wenn Sie die Anweisungen zur Reinigung und Auswechslung der Filter Ihrer Dunstabzugshaube nicht einhalten, können Brände entstehen.

Falls das Gerät transportiert werden muss:

- Originalverpackung des Gerätes aufbewahren. Gerät mit der Originalverpackung transportieren und Transportmarkierungen an der Verpackung befolgen.

**Falls die Originalverpackung nicht mehr vorhanden ist:**

- Platzieren Sie keine Gegenstände auf der Dunstabzugshaube.

- Schützen Sie die Außenseite vor Stoßeinwirkungen.
- Verpacken Sie das Gerät so, dass es während des Transports nicht beschädigt wird.

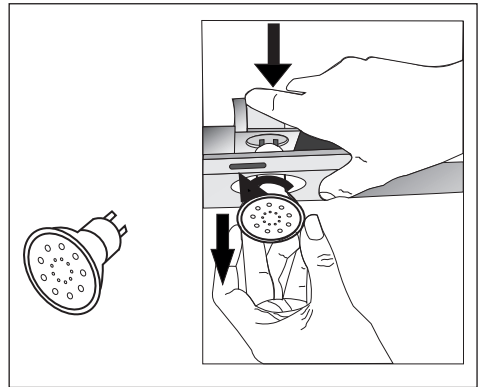
### 5.4 Lampen austauschen

Dunstabzugshaube von der Stromversorgung trennen.

Dieses Gerät ist mit 3-W-LED-Lampen ausgestattet.

Zum Auswechseln der LED-Lampen lösen Sie diese, indem Sie sie von der Rückseite der Lampenhalterung nach hinten drücken. Anschließend um eine viertel Umdrehung gegen den Uhrzeigersinn drehen und herausnehmen.

Befolgen Sie zum Einsetzen neuer Lampen die obigen Schritte in umgekehrter Reihenfolge.



Lampen erhalten Sie beim autorisierten Kundendienst.

# Lea el manual del usuario antes de utilizar el aparato

Estimado cliente:

Gracias por elegir un producto Beko. Esperamos que obtenga los mejores resultados de nuestro producto ya que ha sido fabricado con gran calidad y con tecnología de última generación. Por tanto, le aconsejamos que lea con atención este manual del usuario y todos los demás documentos adjuntos antes de utilizar el producto; guárdelo para futuras consultas. Si va a entregar este producto a otra persona, proporciónese el manual del usuario también. Siga todas las advertencias e instrucciones incluidas en este manual.

Recuerde que este manual del usuario también es válido para otros modelos. Las diferencias entre los modelos se señalan dentro del manual.

## Explicación de los símbolos

En este manual se utilizan los siguientes símbolos:



Información importante o consejos útiles sobre el uso.



Advertencia para situaciones de riesgo con respecto a la vida y la propiedad.



Advertencia sobre posibles descargas eléctricas.



Este producto se ha fabricado utilizando la última tecnología y en condiciones de fabricación respetuosas con el medio ambiente.

Esta sección contiene instrucciones de seguridad que ayudarán a la protección contra los riesgos de lesiones personales o daño a la propiedad. Todas las garantías quedarán anuladas si usted no sigue estas instrucciones.

## 1.1 Seguridad general

- Los procedimientos de instalación y reparación deben ser llevados a cabo por el servicio técnico autorizado. El fabricante no se responsabilizará por daños resultantes de procedimientos llevados a cabo por personas no autorizadas.
- Este aparato no ha sido diseñado para que lo usen niños o adultos con sus facultades físicas, sensoriales o mentales reducidas, o bien que carezcan de la experiencia y conocimientos necesarios. Vigile a los niños para asegurarse de que no jueguen con este electrodoméstico.
- En caso de que el cable de alimentación presente daños, deberá ser sustituido por el fabricante, su servicio técnico o una persona cualificada (preferentemente un electricista) o alguien designado por el importador con el fin de evitar cualquier peligro.
- El voltaje de funcionamiento es de entre 220 y 240 voltios.
- Si el aparato tiene una falla, no debe ponerse en funcionamiento salvo que sea reparado por el servicio técnico autorizado. ¡Existe riesgo de descargas eléctricas!
- No hacer pasar el cable de electricidad cerca de las placas. En caso contrario, el cable de electricidad puede causar un incendio, ya que se derrite fácilmente.

### 1.1.1 Seguridad eléctrica

- Desconecte el producto de la corriente durante los procedimientos de instalación, mantenimiento, limpieza y reparación.
- Nunca enchufe la campana extractora antes de que se haya completado la instalación.
- Para obtener el máximo rendimiento, el conductor externo no debe superar los 4 metros de longitud. No debe contener más de 2 ángulos perpendiculares (90°) y su diámetro debe ser como mín.  $\varnothing 120$  mm.

- Desconecte el aparato antes de cualquier intervención en las partes internas del mismo.

## 1.1.2 Seguridad del producto

- Se puede utilizar un tubo de 120 mm o 150 mm de diámetro para la conexión de la chimenea de la campana extractora.
- No realice las conexiones con las chimeneas conectadas a los fogones, conductos de ventilación o chimeneas con llamas. Siga las reglas establecidas por las autoridades sobre la descarga de los escapes de aire.
- La altura entre la superficie inferior de la campana extractora y la superficie superior de la cocina/horno no debe ser inferior a 65 cm.
- No poner en funcionamiento la campana extractora sin filtros de aluminio y no quitar los filtros mientras esta se encuentre en funcionamiento.
- Nunca toque la lámpara de la campana extractora después de que haya estado en funcionamiento por un tiempo prolongado. Las lámparas calientes pueden quemar su mano.
- Evite que haya llamas de grandes dimensiones debajo del producto. En caso contrario, las partículas en el filtro de aceite pueden prenderse fuego y generar un incendio.
- Encienda las placas después de haber colocado encima las sartenes u ollas. De lo contrario, la temperatura elevada puede deformar algunas partes de su producto.
- Apague las placas después de haber retirado las sartenes u ollas.
- Evite colocar materiales inflamables debajo de la campana extractora.
- El aceite puede prenderse fuego mientras se están realizando frituras. Por lo tanto, tenga cuidado con los trapos y cortinas.
- Nunca deje el aparato desatendido cuando esté realizando frituras; de lo contrario, el aceite hirviendo puede ocasionar un incendio.
- Existe riesgo de incendio si su campana extractora no se limpia en los períodos especificados.
- Sea extremadamente cuidadoso y utilice guantes cuando limpie la campana extractora.



- Le recomendamos que ponga en funcionamiento el aparato algunos minutos antes de comenzar a cocinar para incrementar la potencia de aspiración. Así, tendrá una potencia de aspiración continua y estable cuando comiencen a salir los vapores.
- Haga funcionar su campana extractora durante 15 minutos más después de que termine de cocinar o freír para eliminar los olores de cocina.
- Cuando la campana se encuentra en uso, especialmente junto con cocinas a gas, asegúrese de que el ambiente esté ventilado con aire limpio.
- Preste atención a no conectar el aparato a las chimeneas utilizadas por dispositivos no eléctricos. (Ej.: Chimeneas de los sistemas de calefacción).
- Cuando un dispositivo no eléctrico se utiliza en el mismo ambiente junto con la campana extractora, la presión negativa en la habitación debe ser como máximo de 0,4 mbar, para evitar que la campana extractora aspire los escapes de otros dispositivos presentes en la sala.

## 1.1.3 Seguridad de los niños

- Los materiales de embalaje son peligrosos para los niños. Mantenga los materiales de embalaje en un lugar seguro, fuera del alcance de los niños.
- Los aparatos eléctricos son peligrosos para los niños. Mantenga a los niños lejos de este producto. No deje que los niños jueguen con el aparato.

## 1.2 Uso previsto

- Este aparato se ha diseñado para uso doméstico. No es adecuado para uso comercial y no debe utilizarse fuera de su uso previsto.
- El fabricante no será responsable por ningún daño ocasionado por su utilización o manipulación inadecuada.
- La vida útil del aparato es de 10 años. Este es el período necesario para que haya disponibilidad de repuestos para el funcionamiento del producto.

# 1

## Instrucciones importantes para la seguridad y el medio ambiente

### 1.3 Conformidad con la Directiva WEEE y eliminación de los desechos del producto



Este producto no contiene materiales peligrosos ni prohibidos descritos en la "Directiva sobre restricciones a la utilización de determinadas sustancias peligrosas en aparatos eléctricos y electrónicos" (WEEE), emitida por el Ministerio de Medio Ambiente y Urbanización de la República de Turquía.

Cumple con la Directiva WEEE.

En la fabricación de este producto se han empleado piezas y materiales de alta calidad, que pueden reutilizarse y reciclarse. Por lo tanto, no arroje este producto a la basura junto con sus residuos domésticos normales al final de su vida útil.

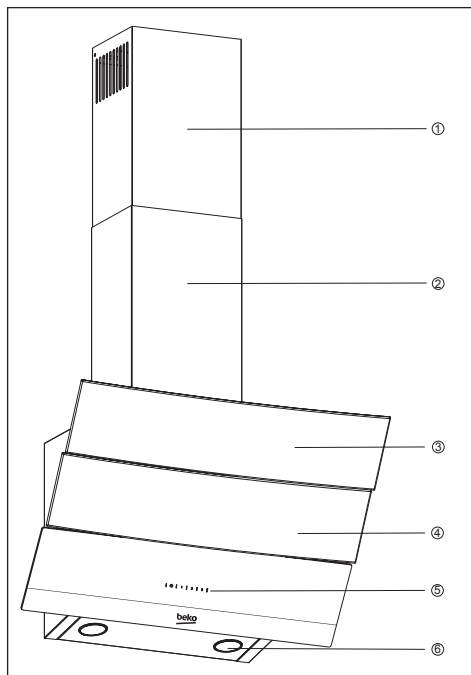
Llévelo a un punto de recogida para el reciclado de sus componentes eléctricos y electrónicos. Consulte a las autoridades locales para conocer el punto de recogida más cercano. Ayude a proteger el medio ambiente reciclando los productos usados.

### 1.4 Información de embalaje



El embalaje del producto está realizado con material reciclable, como lo exige la legislación nacional. No arroje los desechos de embalaje junto con los residuos domésticos u otros residuos y envíelos a los puntos de recolección de embalajes indicados por la autoridad local.

## 2 Especificaciones técnicas de su aparato



1. Chimenea interna
2. Chimenea externa
3. Cubierta de vidrio
4. Filtro (bajo la cubierta de vidrio)
5. Panel de control
6. Iluminación

(Figura 1)

	HCA 92640 BH	HCA 92640 WH	HCA 62640 W	HCA 62640 WH
Ancho	896 mm	896 mm	596 mm	596 mm
Profundidad	393 mm	393 mm	386 mm	386 mm
Altura	750 mm / 1130 mm	750 mm / 1130 mm	750 mm / 1080 mm	750 mm / 1080 mm
Tensión	220 - 240 V, 50 Hz	220 - 240 V, 50 Hz	220 - 240 V, 50 Hz	220 - 240 V, 50 Hz
Panel de control	Con 3 niveles	Con 3 niveles	Con 3 niveles	Con 3 niveles
Potencia iluminación	2 x 3 W	2 x 3 W	2 x 3 W	2 x 3 W
Conducto de salida	120 / 150 mm	120 / 150 mm	120 / 150 mm	120 / 150 mm
Capacidad	577 m <sup>3</sup> /h	577 m <sup>3</sup> /h	537 m <sup>3</sup> /h	537 m <sup>3</sup> /h
Potencia motor	1 x 210 W	1 x 210 W	1 x 210 W	1 x 210 W
Potencia total	216 W	216 W	216 W	216 W
Peso neto	13 kg	13 kg	10,4 kg	10,4 kg
Color	Negro	Blanco	Blanco	Blanco

Los valores declarados en las etiquetas del producto o en la documentación que lo acompaña se obtienen en condiciones de laboratorio de conformidad con las normas pertinentes. Estos valores pueden variar según las condiciones operativas y medioambientales del producto.

## 2 Especificaciones técnicas de su aparato

	HCA 62640 B	HCA 62640 BH	HCA 62540 B	HCA 92540 B
Ancho	596 mm	596 mm	596 mm	896 mm
Profundidad	386 mm	386 mm	386 mm	393 mm
Altura	750 mm /1080 mm	750 mm /1080 mm	750 mm /1080 mm	750 mm /1080 mm
Tensión	220 - 240 V, 50 Hz	220 - 240 V, 50 Hz	220 - 240 V, 50 Hz	220 - 240 V, 50 Hz
Panel de control	Con 3 niveles	Con 3 niveles	Con 3 niveles	Con 3 niveles
Potencia iluminación	2 x 3 W	2 x 3 W	2 x 3 W	2 x 3 W
Conducto de salida	120 / 150 mm	120 / 150 mm	120 / 150 mm	120 / 150 mm
Capacidad	537 m <sup>3</sup> /h	537 m <sup>3</sup> /h	566 m <sup>3</sup> /h	593 m <sup>3</sup> /h
Potencia motor	1 x 210 W	1 x 210 W	1 x 210 W	1 x 210 W
Potencia total	216 W	216 W	216 W	216 W
Peso neto	10,4 kg	10,4 kg	10,4 kg	13 kg
Color	Negro	Negro	Negro	Negro

	HCA 62641 BH	HCA 62641 WH	HCA 92641 BH	HCA 92641 WH
Ancho	596 mm	596 mm	896 mm	896 mm
Profundidad	386 mm	386 mm	393 mm	393 mm
Altura	750 mm /1080 mm	750 mm /1080 mm	750 mm /1130 mm	750 mm /1130 mm
Tensión	220 - 240 V, 50 Hz	220 - 240 V, 50 Hz	220 - 240 V, 50 Hz	220 - 240 V, 50 Hz
Panel de control	Con 3 niveles	Con 3 niveles	Con 3 niveles	Con 3 niveles
Potencia iluminación	2 x 3 W	2 x 3 W	2 x 3 W	2 x 3 W
Conducto de salida	120 / 150 mm	120 / 150 mm	120 / 150 mm	120 / 150 mm
Capacidad	638 m <sup>3</sup> /h	638 m <sup>3</sup> /h	648 m <sup>3</sup> /h	648 m <sup>3</sup> /h
Potencia motor	1 x 210 W	1 x 210 W	1 x 210 W	1 x 210 W
Potencia total	216 W	216 W	216 W	216 W
Peso neto	10,4 kg	10,4 kg	13 kg	13 kg
Color	Negro	Blanco	Negro	Blanco

## 3 Instalación de su aparato

Consulte el **Servicio técnico autorizado** más cercano para la instalación de su campana extractora.

\*La preparación del lugar y de la instalación eléctrica para el producto se encuentra bajo la responsabilidad del cliente.



### Atención:

Quite la película protectora (en caso de que hubiera una) sobre la campana extractora y la superficie de la chimenea tras la instalación.

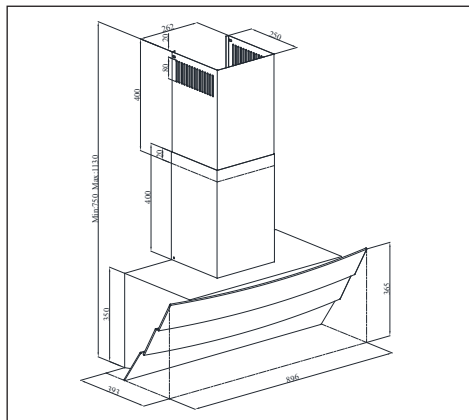
La distancia entre la superficie inferior de la campana extractora y la superficie superior de la encimera debe ser como mínimo de **65 cm**.

Un electricista calificado debe realizar la conexión eléctrica.

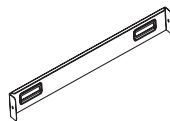
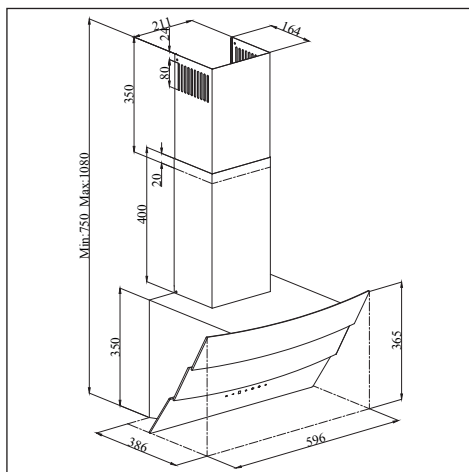
Instale su aparato de manera tal que pueda llegar a la conexión eléctrica (enchufe, toma de corriente) fácilmente tras la instalación.

Las dimensiones se proporcionan en mm.

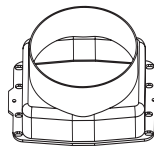
### 3.1 Accesorios de instalación



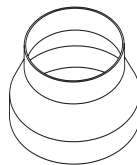
(Figura 2)



1 x placa de conexión de chimenea



1 x chimenea plástica de Ø150 mm



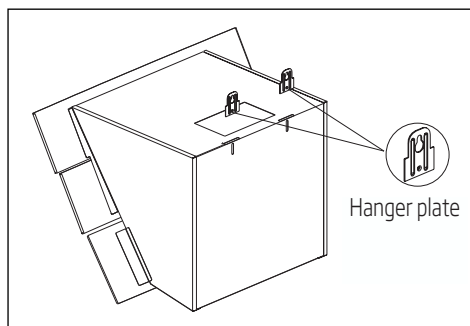
1 x adaptador plástico de chimenea de Ø150 mm

## 3 Instalación de su aparato

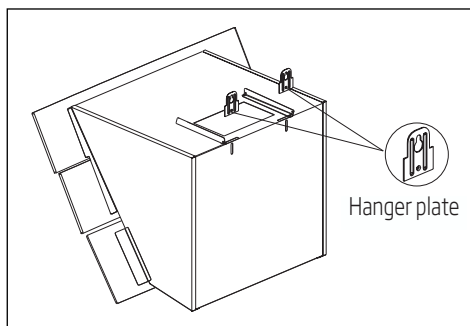
A continuación se proporciona la información necesaria para la preparación del lugar de instalación para su campana extractora.

### 3.2 Instalación de la campana extractora en la pared

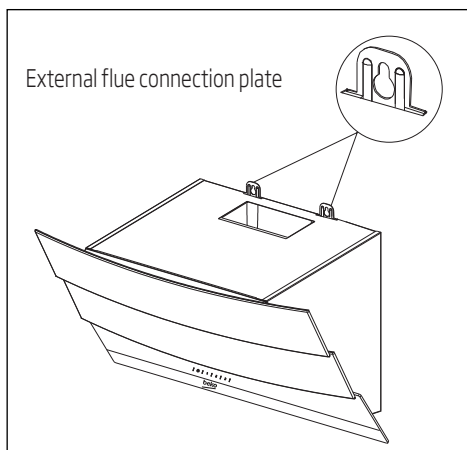
Para instalar la campana extractora en la pared, afloje los tornillos de las placas del colgador en la carcasa del motor y tire las placas hacia arriba. Luego, ajuste los tornillos de las placas del colgador. (Figura 3a).



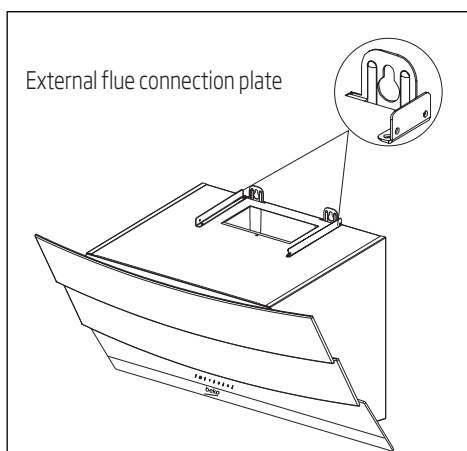
(Figura 3a - 60)



(Figura 3a - 90)



(Figura 3b - 60)

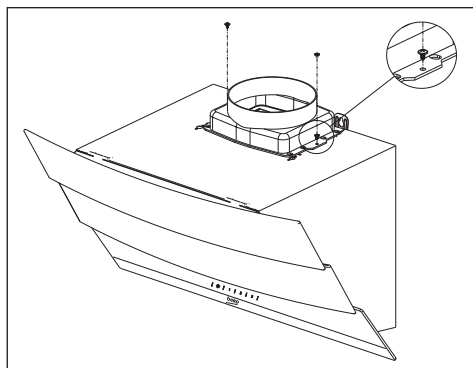


(Figura 3b - 90)

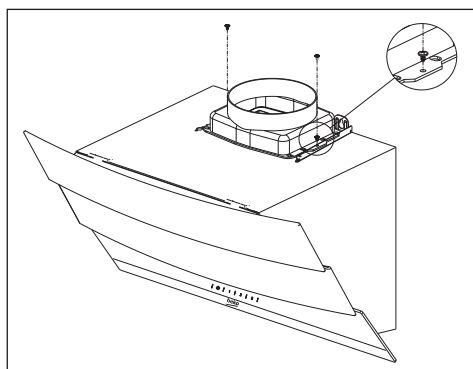
Ajuste el adaptador plástico de chimenea en el extremo superior del cuerpo con un tornillo de 3,5x9,5 incluido en los accesorios de instalación (Figura 4).

Si va a utilizar un tubo de  $\varnothing$  120 mm, instale un adaptador de chimenea de  $\varnothing$  120 mm sobre el mismo.

### 3 Instalación de su aparato



(Figura 4 - 60)

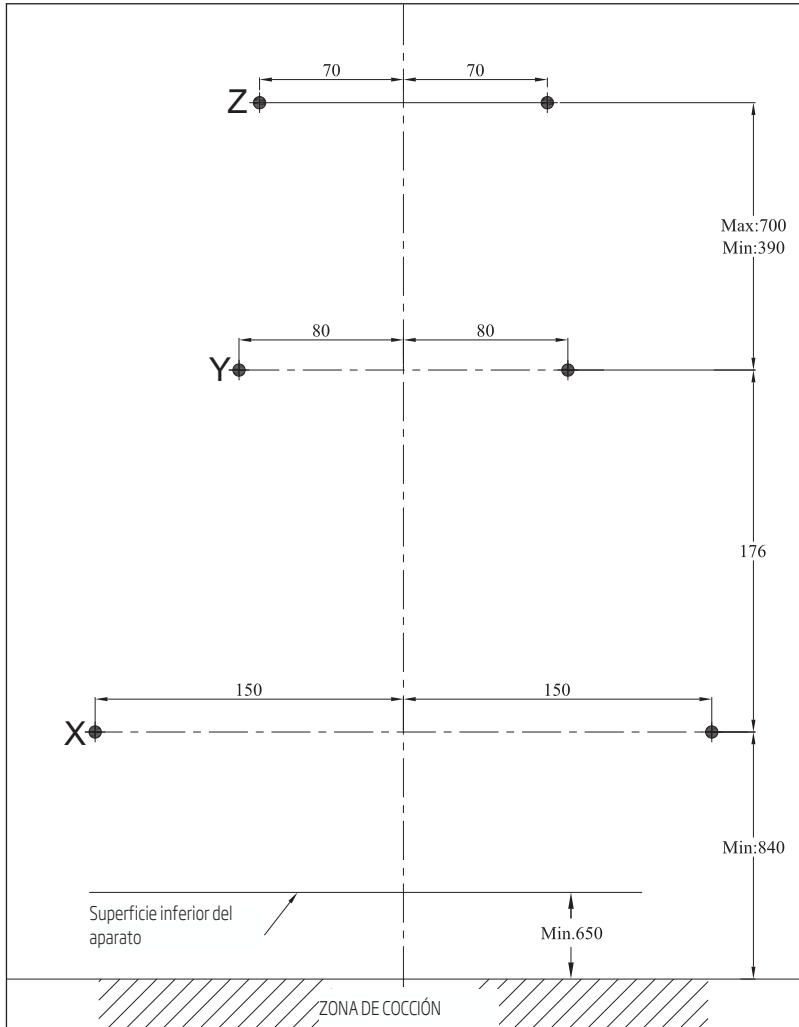
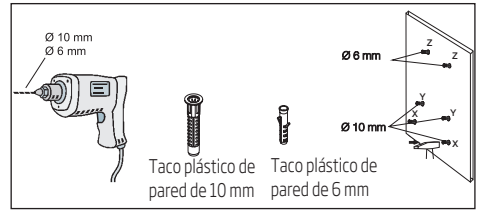


(Figura 4 - 90)

## 3 Instalación de su aparato

### 3.2.1 Perforación de los orificios para el colgador

Fije la plantilla de instalación en el lugar de instalación de la campana. Perfore los puntos marcados con (X,Y) (**Figura 5**) utilizando una broca de  $\varnothing 10$  mm y los puntos marcados con (Z) (**Figura 5**) utilizando una broca de  $\varnothing 6$  mm.



(Figura 5)



## 3 Instalación de su aparato

### 3.2.2 Ajuste con martillo de los tacos en la pared

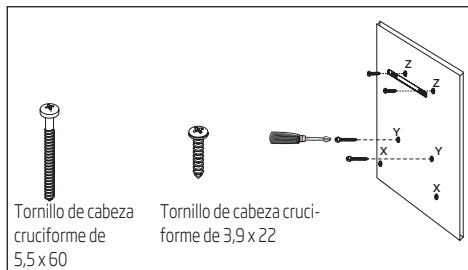
Martille los tacos de pared de  $\varnothing$  10 mm (X,Y) en los orificios taladrados para los tornillos del colgador. Martille 2 x tacos de pared de  $\varnothing$  6 mm (Z) en los orificios taladrados con una broca de  $\varnothing$  6 mm para la placa de conexión de la chimenea externa.

(Figura 5)

### 3.2.3 Instalación de los tornillos del colgador

Instale los tornillos del colgador de 5,5x60 en los tacos de pared de  $\varnothing$  10 mm (Y) que ha martillado en la pared. Debe haber una distancia de 5 mm entre la cabeza del tornillo y la pared. (Figura 6)

Conecte la placa de conexión de la chimenea interna a los tacos de pared de 6 mm (Z) sobre la pared utilizando tornillos de  $\varnothing$  3,9x22.(Figura 6)



(Figura 6)

### 3.2 Colocación de la campana extractora colgada en la pared

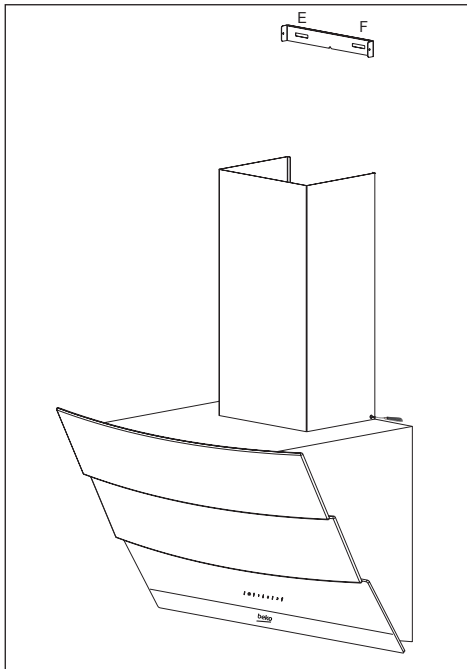
- Cuelgue la campana extractora en los tornillos que ha instalado en los orificios Y.
- Abra la ventana de aspiración lateral de la campana tirando hacia usted. Instale los tornillos de 5,5x60 a través de los orificios X ubicados adentro, para fijar el aparato.

## 3 Instalación de su aparato

### 3.3 Instalación de la chimenea de la campana extractora

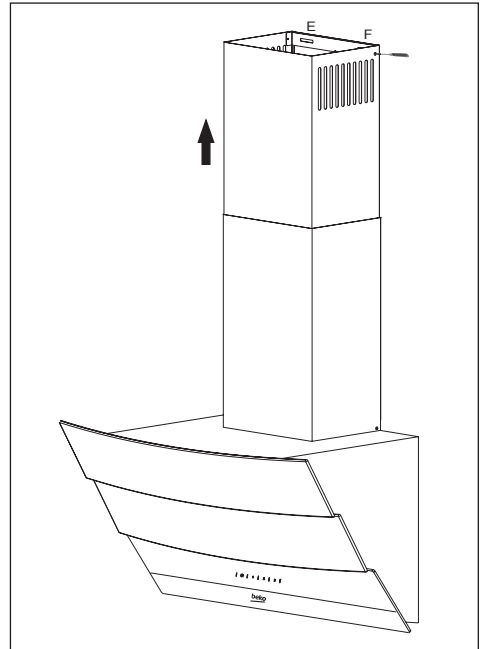
Desconecte el producto de la corriente antes de comenzar la instalación de la chimenea. Ajuste las partes de la hoja metálica de la chimenea alrededor del cuerpo.

Atornille las placas de conexión de la chimenea externa ubicadas en la carcasa del motor. **(Figura 3b / 7)**



**(Figura 7)**

Extienda y atornille la chimenea interna con sus bordes externos sobre la placa de conexión de la chimenea que se fijó a la pared **(Figura 8)**.



**(Figura 8)**

## 3 Instalación de su aparato

### 3.4.1 Utilización con la conexión de la chimenea

- El vapor se elimina a través del tubo de la chimenea que se encuentra fijada con el cabezal de la conexión a la campana.
- El diámetro del tubo de la chimenea debe ser equivalente al diámetro del aro de conexión. Para permitir que el aire se elimine fácilmente del ambiente en disposiciones horizontales, el tubo debe estar ligeramente inclinado hacia arriba (aproximadamente 10°).

### 3.4.2 Utilización sin la conexión de la chimenea

- El aire se filtra mediante el filtro de carbón y regresa a la habitación. El filtro de carbón se utiliza cuando no existe una chimenea en la casa.
- Si la campana se utilizará sin la conexión de la chimenea, elimine los desviadores que están dentro del adaptador para la chimenea.
- Retire el filtro de aluminio. Para instalar el filtro de carbón, centre el filtro de carbón en la parte plástica sobre ambos lados del cuerpo del ventilador, y fíjelo a las pestañas. Fije el filtro girando las pestañas hacia la derecha o hacia la izquierda.
- Instale el filtro de aluminio.

## 3.5 Conexión de la chimenea:

Coloque el adaptador en dotación junto con la campana en el orificio de ventilación ubicado en la sección superior de la campana. Consiga un tubo con un diámetro de 120/150 mm. Conecte un extremo del tubo al adaptador y el otro extremo a la chimenea.

Asegúrese de que estas dos conexiones estén lo suficientemente fijas

de manera tal que no se desencajen cuando la campana esté funcionando a máxima velocidad. Verifique que las solapas dentro de la chimenea sean funcionales cuando se ajusten con la abrazadera.

Ajuste el tubo de conexión de la chimenea en el adaptador. Si ajusta el tubo de conexión de la chimenea dentro del adaptador, no se producirá la aspiración del aire debido a que las solapas que evitan el reflujo del aire permanecerán cerradas.

No es aconsejable realizar conexiones a las chimeneas que están conectadas con fogones o conductos de ventilación. No realice conexiones con dichas chimeneas. El recorrido del conducto deberá ser lo más corto posible y tener una cantidad mínima de codos.

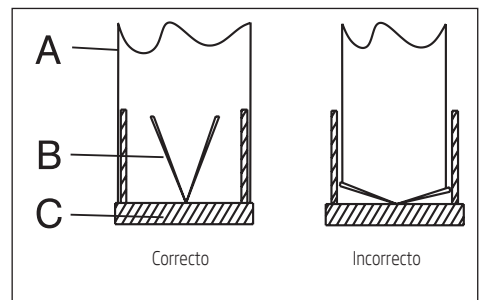
A: Conducto de salida de la chimenea

B: Solapas que evitan el reflujo

C: Chimenea plástica

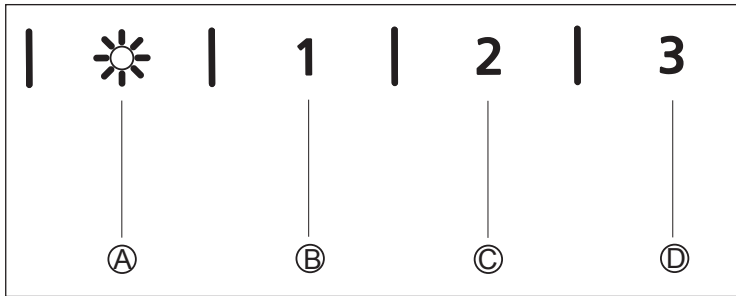
### 3.5.1 Sistema de prevención de reflujo (N-RV)

Cuando se pone en funcionamiento la campana extractora, las solapas se cierran para evitar que entren al ambiente posibles olores y polvo desde el exterior.



(Figura 9)

## 4 Funcionamiento de su aparato



(Figura 9)

**(A):** Interruptor de encendido / apagado de la luz

**(B):** Interruptor de 1.º nivel

**(C):** Interruptor de 2.º nivel

**(D):** Interruptor de 3.º nivel

### 4.1 Control electrónico digital con tres niveles

**(A) Interruptor de encendido / apagado de la luz:** Se puede iluminar el área de cocción pulsando este interruptor.

**(B) Interruptor:** Se puede iniciar la campana al nivel de velocidad 1 pulsando este interruptor.

Cuando se pulsa este interruptor nuevamente para apagar el aparato, la indicación de nivel de velocidad en la pantalla desaparece.

**(C) Interruptor:** Se puede iniciar la campana al nivel de velocidad 2 pulsando este interruptor.

Cuando se pulsa este interruptor nuevamente para apagar el aparato, la indicación de nivel de velocidad en la pantalla desaparece.

**(D) Interruptor:** Se puede iniciar la campana al nivel de velocidad 3 pulsando este interruptor.

Cuando se pulsa este interruptor nuevamente para apagar el aparato, la indicación de nivel de velocidad en la pantalla desaparece.

### Parada automática en 15 min.:

Este aparato está equipado con una función de parada automática que permite que el aparato ventile el ambiente por un período de tiempo adicional para poder eliminar el olor desagradable y el vapor en el ambiente una vez que se haya terminado de cocinar. El aparato se detendrá automáticamente tras un determinado período de tiempo.

Para habilitar la función de Parada automática, pulse cualquiera de los interruptores de nivel de velocidad (B, C, D) sobre el panel de control por más de 2 segundos. Se activará un temporizador con 15 minutos.

Si se presiona el mismo interruptor de nivel de velocidad mientras la función de Parada automática está habilitada, se desactivará la función y el aparato se detendrá.

Si se selecciona un nivel de velocidad diferente, esta función se deshabilitará.

Si quiere que su aparato se detenga automáticamente, debe habilitar la función de Parada automática de nuevo.

## 4 Funcionamiento de su aparato

### **Limpieza periódica de los filtros de metal:**

Los filtros se deben limpiar cada 60 horas de operación o cada 4 semanas, según la frecuencia de utilización.

### **4.2 Utilización eficiente de la energía:**

- Durante el funcionamiento de la campana, ajuste el nivel de velocidad según la intensidad del olor y el vapor, con el fin de evitar un consumo excesivo de energía innecesario.
- Utilice velocidades bajas en condiciones normales (1-2) y una velocidad alta (3) cuando los olores y vapores sean más intensos.
- Las luces en la campana están diseñadas para iluminar la zona de cocción.

Su utilización para iluminar el ambiente/cocina ocasionará un consumo de energía innecesario y una iluminación inapropiada.

### **4.3 Funcionamiento de la campana extractora:**

- La campana está equipada con un motor que tiene diversas configuraciones de velocidad.
- Para un mejor rendimiento, le recomendamos que utilice velocidades bajas en condiciones normales y una velocidad alta cuando los olores y vapores sean más intensos.
- Puede iniciar la campana extractora pulsando el interruptor de nivel de velocidad deseada (B,C,D).
- Se puede iluminar el área de cocción pulsando este interruptor. (A)

## 5 Limpieza y mantenimiento

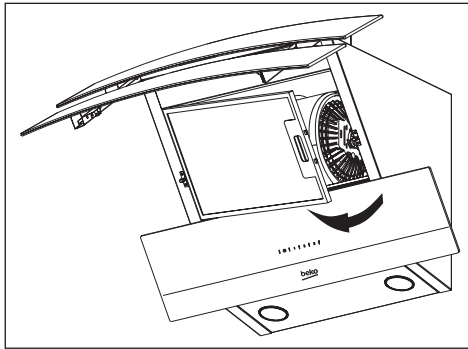
Antes de la limpieza y el mantenimiento, desenchufe el aparato o apague el interruptor de corriente o suelte el fusible que alimenta la campana.

### 5.1 Filtro de aluminio

Este filtro captura las partículas de aceite en el aire. Se recomienda que limpie su filtro todos los meses en condiciones de utilización normal. Primero, quite los filtros de aluminio para este proceso. Lave los filtros con detergente líquido, enjuáguelos con agua e instálelos nuevamente una vez que estén secos. Los filtros de aluminio pueden decolorarse cuando se lavan; esto es normal y no es necesario que cambie su filtro.

#### 5.1.1 Retirada de los filtros de aluminio

1. Presione la traba del filtro de aluminio hacia adelante.
2. Luego, bájelo lentamente y tírelo hacia adelante. De lo contrario, podría doblar el filtro. (Figura 10) Después de haber lavado y secado el filtro de aluminio, vuelva a instalar el filtro en su ranura siguiendo los pasos antes explicados, en orden inverso.



(Figura 10)



También se pueden lavar los filtros de aluminio en el lavavajillas.

### Filtro de carbón (utilización sin chimenea)

Este filtro elimina los olores de cocción. Si no es posible utilizar una chimenea, purifica el aire que circula dentro de la cocina. El filtro de carbón de su aparato se obstruirá con el tiempo, según la frecuencia de uso, la forma de cocinar y la limpieza periódica de los filtros de aluminio.



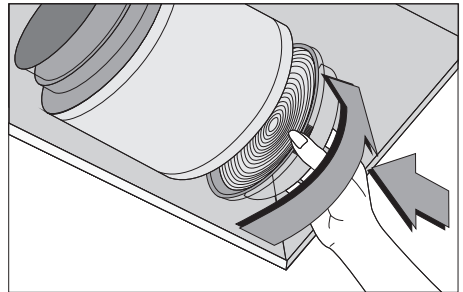
#### Atención:

Nunca se debe lavar el filtro de carbón.

**Se pueden obtener filtros de carbón a través de los Servicios técnicos autorizados de Beko.**

#### 5.2.1 Sustitución del filtro de carbón

- Retire los filtros de aluminio. (Figura 10)
- Para eliminar el filtro de carbón, gire las pestañas en sentido antihorario y libere el filtro. (Figura 11)
- Instale el nuevo filtro de carbón.
- Instale los filtros de aluminio.



(Figura 11)

Los filtros antiolores contienen carbón vegetal (carbón activo).

Deben cambiarse con una frecuencia de aproximadamente 6 meses.

## 5 Limpieza y mantenimiento

Independientemente de si utiliza un filtro de carbón o no, siempre se deben instalar los filtros de aluminio.

No ponga en funcionamiento su aparato sin haber instalado el filtro de aluminio. Su utilización con filtro de carbón reducirá la función de aspiración del aparato.

### 5.3 Limpieza

En particular, no olvide limpiar su campana extractora inmediatamente después de que haya realizado frituras.

Utilice un trapo húmedo con detergente líquido para limpiar la superficie exterior de su campana.

Nunca utilice para la limpieza materiales abrasivos o que puedan rayar.

Puede utilizar los productos de limpieza que se encuentran disponibles en los comercios para la grasa persistente, etc., siguiendo las advertencias sobre el producto. Para no rayar el cuerpo de aluminio pulido, frote en la misma dirección con un trazo de pincel.

No utilice productos de limpieza que contengan ácido clorhídrico, lavandina o polvos abrasivos para mantener la calidad de la superficie de su producto. Utilice un paño humedecido con agua jabonosa o un spray de limpieza para superficies de acero inoxidable. Elimine la película protectora sobre el aparato.



#### Atención:

Puede ocasionar un incendio si no sigue las instrucciones sobre la limpieza y la sustitución de los filtros de su campana extractora.

Si necesita transportar el aparato:

- Mantenga el embalaje original del aparato. Transporte el aparato con su embalaje original, y siga las marcas de transporte sobre el embalaje original.

#### Si no tiene el embalaje original:

No coloque ningún objeto sobre la campana.

Proteja la superficie exterior de los impactos.

Embale el aparato de manera tal que no se dañe durante el transporte.

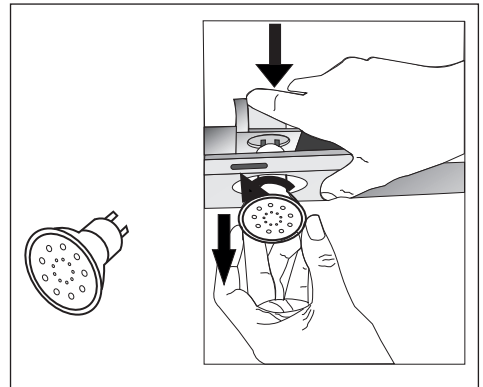
### 5.4 Sustitución de las lámparas

Desconecte la campana de la red eléctrica.

Este aparato está equipado con lámparas LED de 3 W.

Para sustituir las lámparas LED, presione la lámpara hacia abajo desde la sección trasera del soporte de la lámpara para desmontar la lámpara. Luego, gírela en sentido antihorario dando 1/4 de vuelta y retírela.

Lleve a cabo los pasos explicados anteriormente, en orden inverso, para colocar las lámparas nuevas.



Las lámparas deben ser adquiridas a los Servicios técnicos autorizados.

# Avant toute chose, veuillez lire ce manuel d'utilisation !

Cher client,

Merci d'avoir choisi les produits Beko. Nous espérons que ce produit, fabriqué dans des installations modernes et soumis à un processus de contrôle qualité rigoureux, vous offre les meilleures performances possibles. C'est pourquoi nous vous recommandons, avant d'utiliser ce produit, de lire attentivement ce manuel et tous les autres documents fournis et de les conserver soigneusement pour toute consultation future. Si vous confiez le produit à quelqu'un d'autre, n'oubliez pas de lui remettre également le manuel d'utilisation. Veillez à bien respecter les consignes et les instructions figurant dans le manuel d'utilisation.

N'oubliez pas que ce manuel d'utilisation s'applique aussi à plusieurs autres modèles d'appareils. Ce manuel présente les différences entre les modèles.

## Explication des symboles

Tout au long de ce manuel, vous trouverez les symboles ci-après :



Informations importantes et conseils utiles sur l'utilisation de l'appareil.



Avertissement à propos des situations dangereuses pour les personnes et les biens.



Avertissement contre le risque d'électrocution.



Ce produit a été fabriqué en utilisant les dernières technologies dans des conditions respectueuses de l'environnement.

Conforme à la Directive DEEE.



Ne contient pas de PCB



Cette section contient les consignes de sécurité qui aident à se prémunir contre les risques de dommages corporels ou de dégâts matériels. Toute garantie sera nulle en cas de non-respect de ces consignes.

## 1.1 Consignes générales de sécurité

- Les procédures d'installation et de réparation doivent toujours être mises en application par un agent de service agréé. Le fabricant ne saurait être tenu responsable des dommages découlant des procédures effectuées par des personnes non autorisées.
- Ce produit n'a pas été prévu pour être utilisé par des personnes (notamment les enfants) dont les capacités physiques, sensorielles ou mentales sont réduites, ou n'ayant pas suffisamment d'expérience ou de connaissances.
- Les enfants doivent toujours être surveillés pour s'assurer qu'ils ne jouent pas avec l'appareil.

### 1.1.1 Sécurité électrique

- Déconnectez l'appareil du secteur pendant les procédures d'installation, d'entretien, de nettoyage et de réparation.
- Si le câble d'alimentation est endommagé, faites-le remplacer par le fabricant, le service après-vente ou toute personne aux qualifications similaires (de préférence un électricien) ou encore une autre personne désignée par l'importateur afin d'éviter d'éventuels risques.
- La tension de fonctionnement est de 220 à 240 volts.
- Si l'appareil est défectueux, il ne doit pas être utilisé à moins d'être réparé par un agent de service agréé. Il y a risque d'électrocution !
- Ne faites pas passer le câble électrique près des plaques. Autrement, il pourrait fondre facilement et causer un incendie.
- Ne branchez jamais la hotte avant la fin de l'installation.

# 1

## Instructions importantes pour la sécurité et l'environnement

- Afin d'obtenir les meilleurs résultats, le conducteur externe ne doit pas être supérieur à 4 m. Il ne doit pas contenir plus de 2 angles (90 °) perpendiculaires et son diamètre doit être de 120 mm minimum.
- Débranchez l'appareil avant toute intervention sur les pièces internes.
- Ne touchez jamais les ampoules de la hotte après une longue durée de fonctionnement. Elles pourraient vous brûler les mains puisqu'elles sont chaudes.
- Évitez les grandes flammes sous l'appareil. Autrement, les particules du filtre à huile pourraient s'enflammer et causer un incendie.

### 1.1.2 Sécurité du produit

- Vous pouvez utiliser un tuyau de 120 mm ou 150 mm de diamètre sur le raccordement au conduit de cheminée de la hotte.
- N'effectuez aucun raccordement sur les conduits de cheminée connectés aux cuisinières, aux conduits d'évacuation ou aux conduits de cheminée à flammes montantes. Respectez les règles concernant l'évacuation d'air définies par les autorités.
- La hauteur entre la surface inférieure de la hotte et la surface supérieure de la cuisinière/four ne doit pas être inférieure à 65 cm.
- N'utilisez pas la hotte sans filtres en aluminium et ne les retirez pas lorsqu'elle est en fonctionnement.
- Allumez les plaques après y avoir déposé les poêles ou les casseroles. Sinon, la température élevée pourrait déformer certaines pièces de votre appareil.
- Éteignez les plaques avant d'y retirer les poêles et les casseroles.
- Évitez de laisser les matériaux inflammables sous la hotte.
- De l'huile pourrait s'enflammer lors des fritures. Alors, faites attention aux torchons et aux rideaux.
- Ne laissez jamais la plaque de cuisson sans surveillance lors des fritures ; autrement, de l'huile chaude pourrait causer un incendie.
- Il y a risque d'incendie si votre hotte n'est pas nettoyée à des périodes spécifiques.

# 1

## Instructions importantes pour la sécurité et l'environnement

- Faites très attention et portez des gants pendant le nettoyage de la hotte.
- Il est conseillé de faire fonctionner la hotte pendant quelques minutes avant de commencer la cuisson afin d'augmenter la puissance d'aspiration. Ainsi, la puissance d'aspiration sera continue et stable lors de l'échappement des vapeurs.
- Laissez fonctionner la hotte pendant 15 minutes de plus à la fin de la cuisson ou de la friture afin de débarrasser la cuisine des odeurs de vapeur.
- Lorsque la hotte est en fonctionnement, simultanément avec les plaques de cuisson à gaz, assurez-vous que l'environnement est aéré.
- Faites attention de ne pas raccorder l'appareil aux conduits de cheminée utilisés par les appareils non électriques. (Exemple : Conduit de l'élément chauffant).
- Lorsqu'un appareil non électrique est utilisé dans la même pièce que la hotte, la pression négative doit être de 0,4 mbar afin d'empêcher la hotte d'aspirer les échappements d'autres appareils contenus dans la pièce.

### 1.1.3 Sécurité des enfants

- Les matériaux d'emballage sont dangereux pour les enfants. Conservez-les en lieu sûr, hors de la portée des enfants.
- Les appareils électriques sont dangereux pour les enfants. Tenez les enfants à l'écart de l'appareil. Ne les laissez pas jouer avec l'appareil.

### 1.2 Utilisation préconisée

- Le présent appareil a été conçu à des fins domestiques. Il n'est pas adapté pour un usage commercial, et ne doit pas être utilisé à des fins autres que celles prévues.
- La responsabilité du fabricant ne saurait être engagée en cas d'utilisation ou de manipulation inadaptée.

# 1

## Instructions importantes pour la sécurité et l'environnement

- Les pièces détachées d'origine sont disponibles pendant 10 ans, à compter de la date d'achat du produit.

### 1.3 Conformité avec la directive DEEE et mise au rebut du produit usagé



Ce produit ne contient pas de matières dangereuses ou interdites, décrites dans la « Directive relative à la Restriction sur l'usage de certaines substances dangereuses dans les équipements électriques et électroniques usagés » (EEE) publiée par le T.R. Ministre de l'Environnement et de l'Urbanisation.

Conforme à la Directive DEEE.

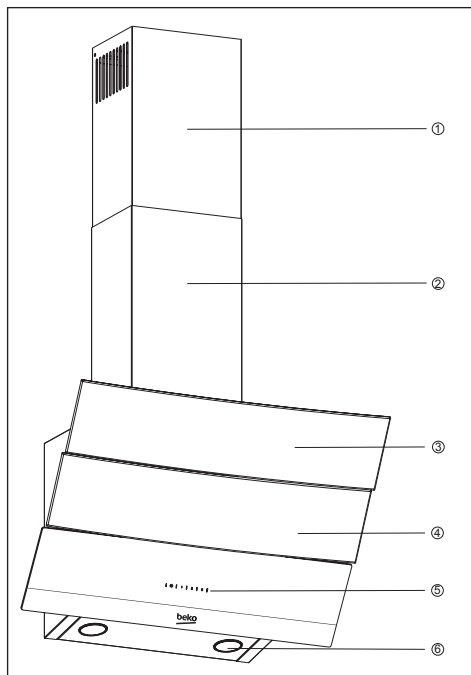
Le présent appareil a été fabriqué avec des pièces et du matériel de qualité supérieure susceptibles d'être réutilisés aux fins de recyclage. Ne le mettez donc pas au rebut aux côtés des déchets domestiques à la fin de sa durée de vie. Déposez-le dans un point de collecte destiné au recyclage des équipements électriques et électroniques. Veuillez contacter les autorités locales pour connaître l'adresse du point de collecte le plus proche de votre domicile. Participez à la protection de l'environnement et des ressources naturelles grâce au recyclage des produits usagés.

### 1.4 Informations concernant l'emballage



L'emballage du produit est fait à partir de matériaux recyclables, conformément à la Réglementation nationale. Ne jetez pas les déchets d'emballage avec les déchets domestiques ou d'autres types de déchets, déposez-les dans des points de collecte recommandés par les autorités locales.

## 2 Spécifications techniques de votre appareil



1. Conduit de cheminée interne
2. Conduit de cheminée externe
3. Couvercle en verre
4. Filtre (sous le couvercle en verre)
5. Panneau de commande
6. Éclairage

(Figure 1)

	HCA 92640 BH	HCA 92640 WH	HCA 62640 W	HCA 62640 WH
Largeur	896 mm	896 mm	596 mm	596 mm
Profondeur	393 mm	393 mm	386 mm	386 mm
Hauteur	750 mm / 1130 mm	750 mm / 1130 mm	750 mm / 1080 mm	750 mm / 1080 mm
Tension d'alimentation	220 - 240 V, 50 Hz	220 - 240 V, 50 Hz	220 - 240 V, 50 Hz	220 - 240 V, 50 Hz
Commande	3 niveaux	3 niveaux	3 niveaux	3 niveaux
Puissance de l'ampoule	2 x 3 W	2 x 3 W	2 x 3 W	2 x 3 W
Tuyau de sortie d'air	120 / 150 mm	120 / 150 mm	120 / 150 mm	120 / 150 mm
Capacité	577 m <sup>3</sup> /h	577 m <sup>3</sup> /h	537 m <sup>3</sup> /h	537 m <sup>3</sup> /h
Puissance du moteur	1 x 210 W	1 x 210 W	1 x 210 W	1 x 210 W
Puissance totale	216 W	216 W	216 W	216 W
Poids net	13 kg	13 kg	10,4 kg	10,4 kg
Couleur	Noir	Blanc	Blanc	Blanc

Les valeurs figurant sur les étiquettes du produit ou dans la documentation qui accompagne l'appareil ont été obtenues dans des conditions de laboratoire conformes aux normes en vigueur. Ces valeurs peuvent varier selon l'utilisation du produit et les conditions environnementales.

## 2 Spécifications techniques de votre appareil

	HCA 62640 B	HCA 62640 BH	HCA 62540 B	HCA 92540 B
Largeur	596 mm	596 mm	596 mm	896 mm
Profondeur	386 mm	386 mm	386 mm	393 mm
Hauteur	750 mm /1080 mm	750 mm /1080 mm	750 mm /1080 mm	750 mm /1130 mm
Tension d'alimentation	220 - 240 V, 50 Hz	220 - 240 V, 50 Hz	220 - 240 V, 50 Hz	220 - 240 V, 50 Hz
Commande	3 niveaux	3 niveaux	3 niveaux	3 niveaux
Puissance de l'ampoule	2 x 3 W	2 x 3 W	2 x 3 W	2 x 3 W
Tuyau de sortie d'air	120 / 150 mm	120 / 150 mm	120 / 150 mm	120 / 150 mm
Capacité	537 m <sup>3</sup> /h	537 m <sup>3</sup> /h	566 m <sup>3</sup> /h	593 m <sup>3</sup> /h
Puissance du moteur	1 x 210 W	1 x 210 W	1 x 210 W	1 x 210 W
Poids net	216 W	216 W	216 W	216 W
Net weight	10,4 kg	10,4 kg	10,4 kg	13 kg
Couleur	Noir	Noir	Noir	Noir

	HCA 62641 BH	HCA 62641 WH	HCA 92641 BH	HCA 92641 WH
Largeur	596 mm	596 mm	896 mm	896 mm
Profondeur	386 mm	386 mm	393 mm	393 mm
Hauteur	750 mm /1080 mm	750 mm /1080 mm	750 mm /1130 mm	750 mm /1130 mm
Tension d'alimentation	220 - 240 V, 50 Hz	220 - 240 V, 50 Hz	220 - 240 V, 50 Hz	220 - 240 V, 50 Hz
Commande	3 niveaux	3 niveaux	3 niveaux	3 niveaux
Puissance de l'ampoule	2 x 3 W	2 x 3 W	2 x 3 W	2 x 3 W
Tuyau de sortie d'air	120 / 150 mm	120 / 150 mm	120 / 150 mm	120 / 150 mm
Capacité	638 m <sup>3</sup> /h	638 m <sup>3</sup> /h	648 m <sup>3</sup> /h	648 m <sup>3</sup> /h
Puissance du moteur	1 x 210 W	1 x 210 W	1 x 210 W	1 x 210 W
Poids net	216 W	216 W	216 W	216 W
Net weight	10,4 kg	10,4 kg	13 kg	13 kg
Couleur	Noir	Blanc	Noir	Blanc

### 3 Installation de votre appareil

Veuillez contacter l'**agent de service agréé** le plus proche pour l'installation de la hotte.

\*Le client est responsable de la préparation de l'emplacement et de l'installation électrique des appareils.



#### Attention !

Après installation, enlevez le film de protection (s'il y en a) sur la hotte et sur la surface du conduit de cheminée.

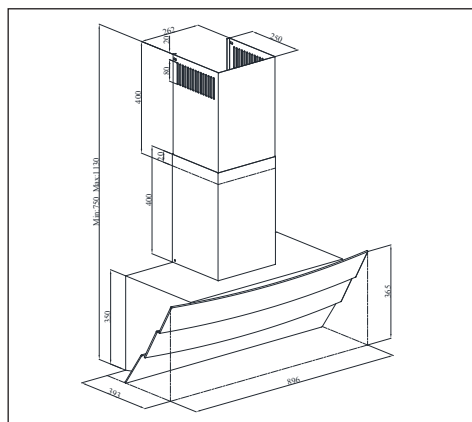
La distance entre la surface inférieure de la hotte et la surface supérieure de la plaque de cuisson doit être d'au moins **65 cm**.

Le raccordement électrique doit être exécuté exclusivement par un électricien spécialisé.

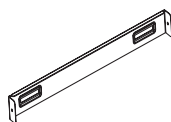
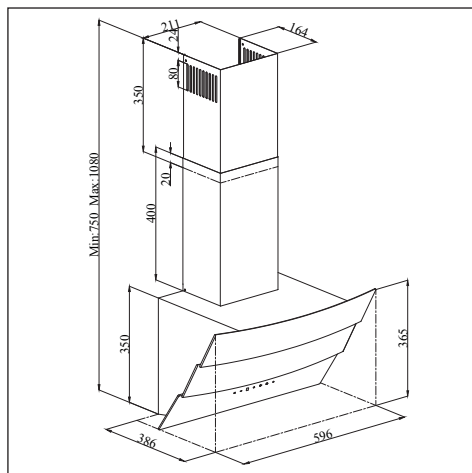
Installez l'appareil de sorte à atteindre facilement l'alimentation électrique (fiche, prise) après l'installation

Les dimensions sont en mm.

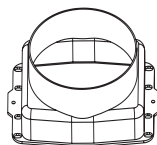
#### 3.1 Accessoires d'installation



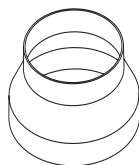
(Figure 2)



1 plaque de raccordement du conduit



1 conduit en plastique de 150 mm de diamètre



1 adaptateur de conduit en plastique de 120/150 mm de diamètre

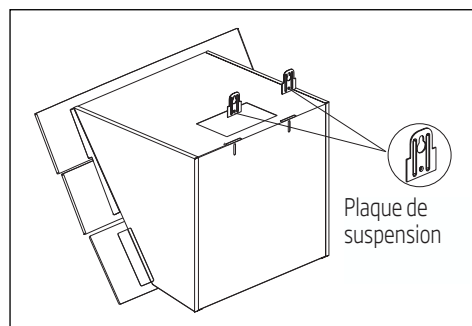
## 3 Installation de votre appareil

Les informations requises pour la préparation de l'emplacement de la hotte sont ci-après données.

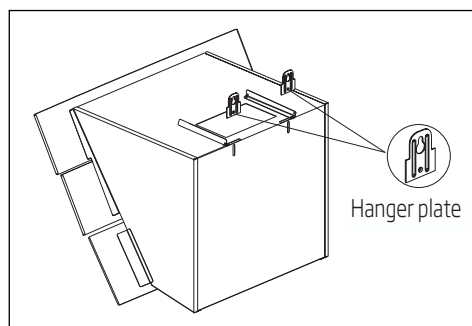
### 3.2 Installation de la hotte sur le mur

Pour installer la hotte sur le mur, desserrez les vis des plaques de suspension sur le boîtier du moteur et tirez les plaques vers le haut. Ensuite, serrez les vis des plaques de suspension.

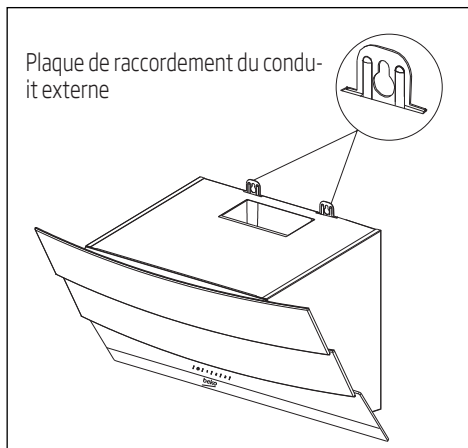
(Figure 3a).



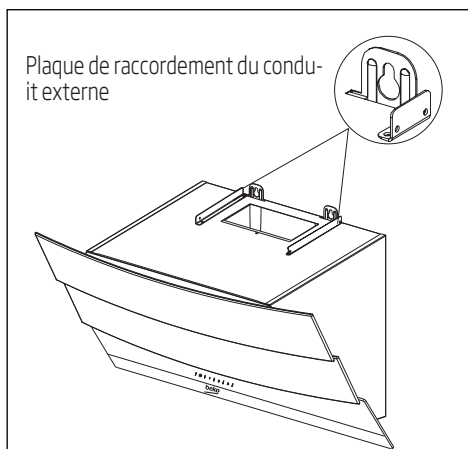
(Figure 3a - 60)



(Figure 3a - 90)



(Figure 3b - 60)



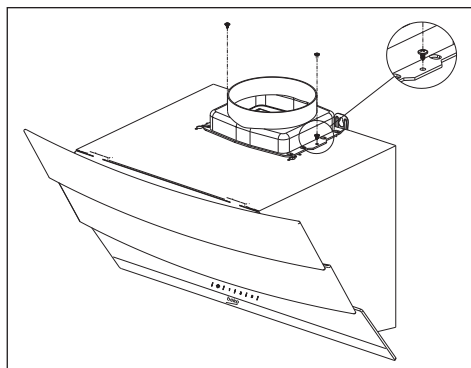
(Figure 3b - 90)

Fixez l'adaptateur du conduit en plastique de 150 mm de diamètre au dessus du corps de l'appareil à l'aide d'une vis de 3,5x9,5 incluse dans les accessoires d'installation (Figure 4).

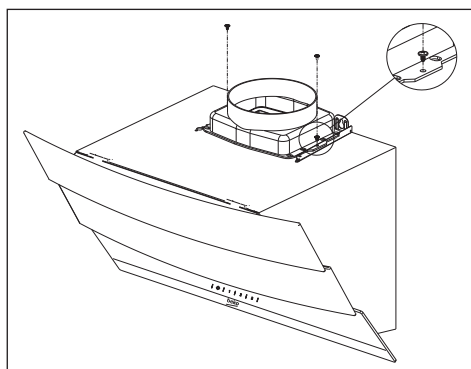
Si vous utilisez un tuyau de conduit de 120 mm de diamètre, installez également un adaptateur du même diamètre au-dessus.



### 3 Installation de votre appareil



(Figure 4 - 60)

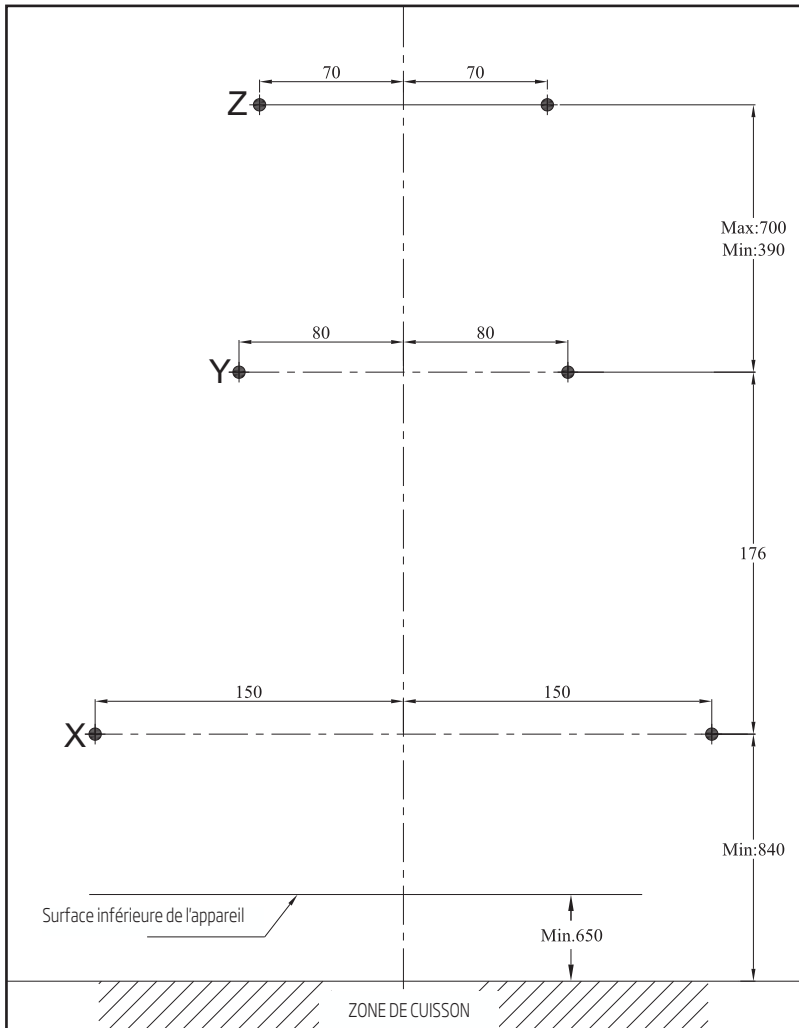
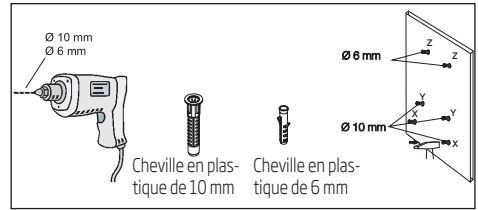


(Figure 4 - 90)

## 3 Installation de votre appareil

### 3.2.1 Perçage des trous de suspension

Fixez le gabarit d'installation à l'emplacement prévue pour la hotte. Percez des trous sur les points (X,Y) (**Figure 5**) ; à l'aide d'un foret de 10 mm de diamètre. Pour les points marqués avec un (Z) (**Figure 5**), utilisez un foret de 6 mm de diamètre.



(Figure 5)

## 3 Installation de votre appareil

### 3.2.2 Fixation des chevilles

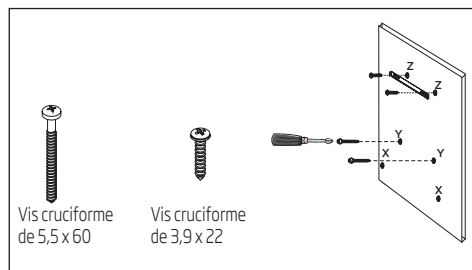
Fixez les chevilles de 10 mm de diamètre (X,Y) dans les trous pour vis de suspension. Fixez des chevilles de 2 x 6 mm de diamètre (Z) dans les trous percés avec un foret de 6 mm pour la plaque de raccordement du conduit externe.

(Figure 5)

### 3.2.3 Installation des vis de suspension

Installez des vis de suspension de 5,5x60 dans les chevilles de 10 mm de diamètre (Y) que vous avez fixés sur le mur. Gardez un écart de 5 mm entre la tête de vis et le mur. (Figure 6)

Connectez la plaque de raccordement du conduit aux chevilles de 6 mm (Z) au mur à l'aide des vis de 3,9x22 de diamètre. (Figure 6)



(Figure 6)

### 3.2.4 Fixation de la hotte sur le mur

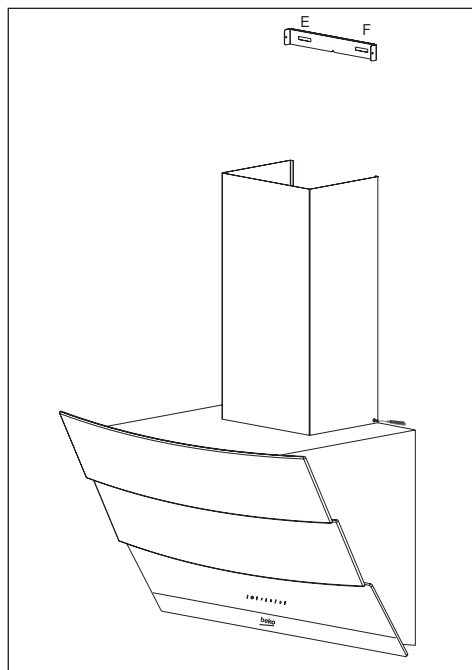
- Fixez la hotte sur les vis installées dans les trous Y.
- Ouvrez la fenêtre d'aspiration latérale de la hotte en la tirant vers vous. Afin de fixer l'appareil, installez des vis de 5,5x60 dans les trous X situés à l'intérieur.

## 3 Installation de votre appareil

### 3.3 Installation du conduit de cheminée de la hotte

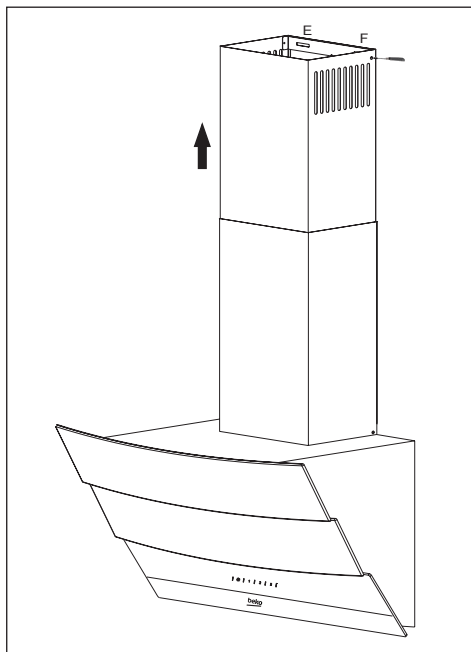
Débranchez l'appareil de l'alimentation principale avant de débiter l'installation du conduit. Montez les parties en tôle du conduit tout autour du corps de l'appareil.

À l'aide des vis, fixez le conduit externe à la plaque de raccordement dédiée, située dans le boîtier du moteur. **(Figure 3b / 7)**



**(Figure 7)**

Déployez et vissez les bords externes du conduit interne à la plaque de raccordement du conduit installée sur le mur **(Figure 8)**.



**(Figure 8)**

## 3 Installation de votre appareil

### 3.4.1 Utilisation avec le raccordement au conduit de cheminée

- La vapeur est évacuée par le tuyau du conduit, qui est fixé à la tête de raccordement sur la hotte.
- Le diamètre du tuyau du conduit doit être égal au diamètre de l'anneau de raccordement. Pour faciliter l'évacuation de l'air de la pièce dans les dispositifs horizontaux, le tuyau doit être légèrement incliné vers le haut (approximativement à 10°).

### 3.4.2 Utilisation sans raccordement au conduit de cheminée

- L'air est filtré par le filtre à charbon et renvoyé dans la pièce. Le filtre à charbon est utilisé en l'absence de conduit de cheminée dans la maison.
- Si la hotte est utilisée sans raccordement du conduit, enlevez les déflecteurs à l'intérieur de l'adaptateur de conduit.
- Retirez le filtre en aluminium. Pour installer le filtre à charbon, centrez-le sur la partie en plastique sur les deux côtés du corps du ventilateur et fixez-le sur les languettes. Fixez le filtre en tournant les languettes à droite ou à gauche.
- Installez le filtre en aluminium.

## 3.5 Raccordement du conduit de cheminée :

Placez l'adaptateur fourni avec la hotte dans l'orifice de ventilation situé au-dessus de la hotte. Vous devez disposer d'un tuyau de 120/150 mm de diamètre. Raccordez l'une des extrémités du tuyau à l'adaptateur et l'autre au conduit de cheminée.

Assurez-vous que ces deux raccords sont correctement sécurisés pour éviter toute rupture lors du fonctionnement de la hotte à la vitesse maximale.

Vérifiez que les rabats internes du conduit sont fonctionnels lors du serrage avec les colliers. Emboîtez le tuyau de raccordement du conduit à l'adaptateur. L'emboîtement de ce tuyau à l'adaptateur permet d'éviter l'aspiration de l'air, puisque les rabats anti-refoulement restent fermés.

N'effectuez aucun raccordement sur les conduits connectés aux cuisinières et aux conduits d'évacuation. Évitez tout branchement similaire. Le raccordement du tuyau doit être aussi court que possible et avoir le minimum de coudes.

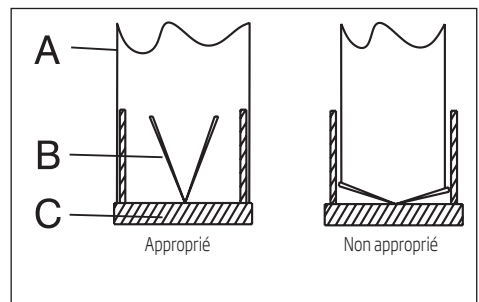
A : Tuyau de sortie du conduit

B : Rabats anti-refoulement

C : Conduit de cheminée en plastique

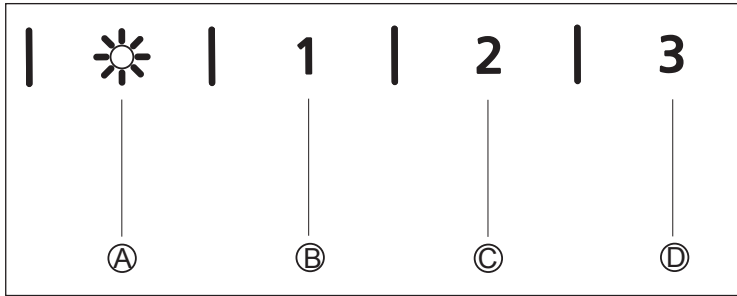
### 3.5.1 Dispositif anti-refoulement (N-RV)

Lorsque la hotte fonctionne, les rabats sont fermés pour prévenir l'entrée possible des odeurs et des poussières venant de l'extérieur.



(Figure 9)

## 4 Fonctionnement de l'appareil



(Figure 9)

**(A)** : Bouton Marche/Arrêt de l'éclairage

**(B)** : Bouton du niveau 1

**(C)** : Bouton du niveau 2

**(D)** : Bouton du niveau 3

### 4.1 Commandes électroniques numériques à 3 niveaux

#### Bouton Marche/Arrêt de l'éclairage

**(A)** : Vous pouvez éclairer la zone de cuisson en appuyant sur ce bouton.

**Bouton (B)** : Vous pouvez mettre votre hotte en marche au niveau de vitesse 1 en appuyant sur ce bouton.

Appuyez à nouveau sur ce bouton pour éteindre l'appareil, alors l'indicateur de niveau de vitesse à l'écran disparaît.

**Bouton (C)** : Vous pouvez mettre votre hotte en marche au niveau de vitesse 2 en appuyant sur ce bouton.

Appuyez à nouveau sur ce bouton pour éteindre l'appareil, alors l'indicateur de niveau de vitesse à l'écran disparaît.

**Bouton (D)** : Vous pouvez mettre votre hotte en marche au niveau de vitesse 3 en appuyant sur ce bouton.

Appuyez à nouveau sur ce bouton pour éteindre l'appareil, alors l'indicateur de niveau de vitesse à l'écran disparaît.

#### Arrêt automatique dans 15 minutes :

Cet appareil dispose d'une fonction d'arrêt automatique qui permet à l'appareil de ventiler la pièce pendant une période de temps supplémentaire afin d'éliminer l'odeur désagréable et la vapeur à la fin de la cuisson. L'appareil s'arrête automatiquement après un certain temps.

Pour activer la fonction d'arrêt automatique, appuyez sur l'un des boutons de niveau de vitesse (B, C, D) sur le panneau pendant plus de 2 secondes. Une minuterie affichant 15 minutes est alors activée.

Si vous appuyez sur le même bouton alors que la fonction d'arrêt automatique est désactivée, cette fonction sera désactivée et l'appareil arrêtera de fonctionner.

Si vous sélectionnez un niveau différent de vitesse, alors cette fonction sera désactivée.

Si vous souhaitez que votre appareil s'arrête automatiquement, vous devez activer de nouveau la fonction d'arrêt automatique.

## 4 Fonctionnement de l'appareil

### Nettoyage périodique des filtres métalliques :

Les filtres doivent être nettoyés environ toutes les 60 heures de fonctionnement, ou après 4 semaines selon la fréquence d'utilisation.

### 4.2 Utilisation efficace de l'énergie :

- Lors du fonctionnement de la hotte, ajustez le niveau de vitesse en fonction de l'intensité de l'odeur et des vapeurs, afin d'éviter une consommation inutile d'énergie.
- Utilisez l'appareil à des vitesses basses dans des conditions normales (1-2) et à une vitesse élevée (3) en cas d'augmentation des odeurs et vapeurs.
- Les voyants sur la hotte sont destinés à éclairer la zone de cuisson.

Si vous les utilisez pour éclairer la pièce ou la cuisine, cela entraînera une consommation d'énergie inutile et produira un éclairage insuffisant.

### 4.3 Fonctionnement de la hotte :

- La hotte est équipée d'un moteur doté de plusieurs réglages de vitesse.
- Pour une meilleure performance, nous vous conseillons d'utiliser les vitesses basses dans des conditions normales et les vitesses élevées lorsque l'odeur et les vapeurs sont intensifiées.
- Vous pouvez mettre la hotte en marche en appuyant sur le bouton de niveau de vitesse souhaité (B, C, D).
- Vous pouvez éclairer la zone de cuisson en appuyant sur le bouton d'éclairage. (A)

## 5 Nettoyage et entretien

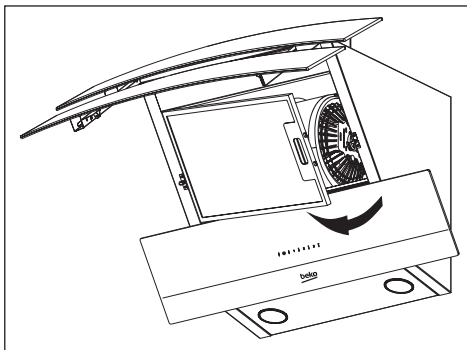
Avant le nettoyage et l'entretien, débranchez l'appareil ou mettez le commutateur principal à la position Arrêt, ou encore déconnectez le fusible qui alimente la hotte.

### 5.1 Filtre en aluminium

Ce filtre retient les particules d'huile dans l'air. Il est recommandé de nettoyer le filtre tous les mois dans des conditions normales d'utilisation. Retirez premièrement les filtres en aluminium pour effectuer le nettoyage. Lavez les filtres avec un détergent liquide, rincez-les ensuite avec de l'eau puis installez-les à nouveau une fois qu'ils sont secs. Les filtres en aluminium peuvent se décolorer avec le lavage ; ce phénomène est normal, il n'est pas nécessaire de les remplacer.

#### 5.1.1 Retrait des filtres en aluminium

1. Poussez le verrou du filtre en aluminium vers l'avant.
2. Ensuite, baissez-le légèrement et tirez-le vers l'avant. Dans le cas contraire, vous pouvez plier le filtre. (Figure 10) Une fois que le filtre en aluminium est lavé et séché, réinstallez-le dans son logement en suivant les étapes ci-dessus dans l'ordre inverse.



(Figure 10)



Il est aussi possible de laver les filtres en aluminium dans le lave-vaisselle.

### Filtre à charbon (Utilisation sans conduit de cheminée)

Ce filtre élimine les odeurs de cuisson. Il purifie l'air présent à l'intérieur de la cuisine, lorsqu'il n'est pas possible d'utiliser un conduit. Le filtre à charbon de votre appareil pourrait se boucher, en fonction de la fréquence d'utilisation, du style de cuisson et du nettoyage régulier des filtres en aluminium.



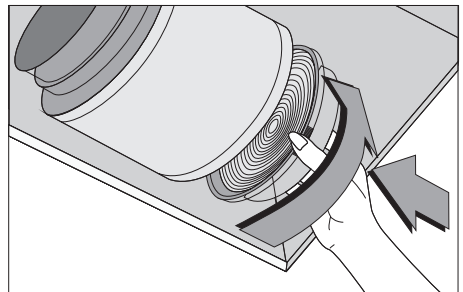
#### Attention !

Ne lavez jamais le filtre à charbon.

**Vous pouvez obtenir des filtres à charbon auprès des agents de service agréés Beko.**

### 5.2.1 Remplacement du filtre à charbon

- Retirez les filtres en aluminium. (Figure 10)
- Pour retirer le filtre à charbon, tournez les languettes dans le sens antihoraire et enlevez le filtre. (Figure 11)
- Installez le nouveau filtre à charbon.
- Installez les filtres en aluminium.



(Figure 11)



## 5 Nettoyage et entretien

Les filtres anti-odeurs contiennent du charbon (charbon actif).

Ils doivent être remplacés environ tous les 6 mois.

Que vous utilisiez un filtre à charbon ou non, les filtres en aluminium doivent toujours être installés.

Ne faites pas fonctionner votre appareil sans filtre en aluminium. Une utilisation de votre appareil avec le filtre à charbon réduit la puissance d'aspiration de l'appareil.

### 5.3 Nettoyage

Il est important de nettoyer votre hotte immédiatement après toute friture.

Utilisez un chiffon doux imbibé de détergent liquide pour nettoyer la surface extérieure de votre hotte.

N'utilisez jamais de produits abrasifs ou rugueux pour effectuer le nettoyage de votre appareil.

Vous pouvez utiliser les produits de nettoyage disponibles sur le marché pour éliminer les graisses les plus tenaces, et autres en suivant les consignes sur le produit. Afin de ne pas érafler le corps en acier brossé, essuyez-le dans le sens de la trace de la brosse.

N'utilisez pas de produits contenant de l'acide chlorhydrique, de l'eau de javel ou de poudres abrasives, afin de ne pas abîmer la surface de votre appareil. Utilisez un chiffon imbibé d'eau savonneuse ou un pulvérisateur de nettoyage spécial pour acier inoxydable pour de telles surfaces. Retirez le film protecteur de l'appareil.



#### Attention !

Vous risquez de provoquer un incendie si vous ne suivez pas les instructions relatives au nettoyage et au remplacement des filtres de votre hotte.

Si vous souhaitez transporter l'appareil :

- Conservez l'emballage d'origine de l'appareil. Transportez l'appareil dans son emballage d'origine et suivez les indications de transport sur l'emballage d'origine.

#### Si vous ne disposez pas de l'emballage d'origine :

- Ne posez aucun objet sur la hotte.
- Protégez la surface extérieure contre les chocs.
- Emballez l'appareil de sorte qu'il ne soit pas endommagé pendant le transport.

### 5.4 Remplacement des ampoules

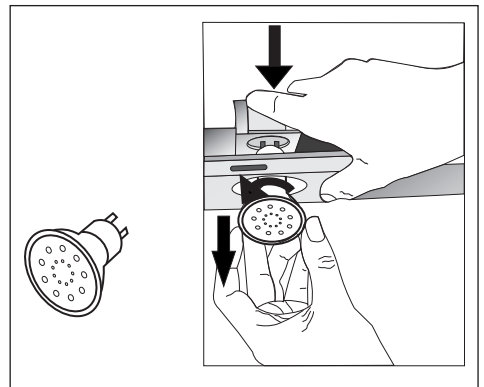
Débranchez l'appareil de la source d'alimentation.

L'appareil est équipé de 3 ampoules à LED de 3 W.

Pour le remplacement des ampoules à LED, repousser l'ampoule vers le bas depuis la section arrière de la douille pour la libérer.

Ensuite, tournez l'ampoule au 1/4 dans le sens antihoraire et retirez-la.

Suivez les étapes ci-dessus dans l'ordre inverse pour fixer les nouvelles ampoules.



Vous pouvez obtenir des ampoules auprès des agents de service agréés.

# Proszę najpierw przeczytać instrukcję obsługi!

Droży Klienci,

Dziękujemy za wybór wyrobu marki Beko. Mam nadzieję, że wyrób ten, wyprodukowany przy użyciu wysokiej jakości najnowszej technologii okaże się w najwyższym stopniu zadowalający. Dlatego proszę przed jego użyciem uważnie przeczytać całą tę instrukcję obsługi i towarzyszące jej dokumenty i zachować ją do wglądu na przyszłość. Przy przekazaniu tego wyrobu komuś innemu, proszę oddać mu także tę instrukcję. Proszę przestrzegać wszystkich ostrzeżeń i informacji z tej instrukcji obsługi.

Proszę pamiętać, że instrukcja ta odnosi się także do kilku innych modeli. Instrukcja wskaże różnice pomiędzy nimi.

## Objaśnienie symboli

W niniejszej instrukcji obsługi stosuje się następujące symbole:



Ważne informacje i przydatne wskazówki co do użytkowania.



Ostrzeżenie o zagrożeniach dla życia i mienia.



Ostrzeżenie przed porażeniem prądem.



Wyrób ten wyprodukowano przy użyciu najnowszych technologii w przyjaznych dla środowiska naturalnego warunkach.

Wyrób zgodny z Dyrektywą WEEE.



bez PCB

# 1 Ważne instrukcje zachowania bezpieczeństwa i ochrony środowiska naturalnego

Rozdział ten zawiera instrukcje zachowania bezpieczeństwa, które pomogą chronić się przed zagrożeniami obrażeniami ciała lub uszkodzonymi w mieniu. Niestosowanie się do tych instrukcji powoduje unieważnienie wszystkich gwarancji.

## 1.1 Bezpieczeństwo: Ogólne zasady

- Wszystkie prace montażowe i naprawy należy powierzać Autoryzowanemu Agentowi Serwisowemu. Producent nie ponosi odpowiedzialności za szkody wynikające z działań osób nieuprawnionych.
- Urządzenie to nie jest przeznaczone do użytku przez osoby (w tym dzieci) o ograniczonej sprawności fizycznej, czuciowej i psychicznej, niedoświadczone i nieumiejętne. Należy zawsze uważać na dzieci, aby nie bawiły się tym urządzeniem.

### 1.1.1 Bezpieczeństwo: Elektryczność

- Odłączaj okap od sieci na czas montażu, konserwacji, czyszczenia i napraw.
- Aby uniknąć możliwych zagrożeń, uszkodzony przewód zasilający musi wymienić producent, serwis posprzedażowy, osoba o podobnych kwalifikacjach (najlepiej elektryk) lub osoba wskazana przez importera.
- Napięcie zasilania 220 do 240 voltów.
- W razie awarii okapu nie należy go używać dopóki nie zostanie naprawiony przez Autoryzowanego Agenta Serwisowego. Zagrożenie porażeniem prądem elektrycznym!
- Nie prowadź przewodu zasilającego w pobliżu kuchenki. Grozi to pożarem od przewodu zasilającego, bo jego izolacja łatwo się topi.
- Nie wkładaj wtyczki przewodu zasilającego do gniazdka przed ukończeniem montażu okapu.

# 1 Ważne instrukcje zachowania bezpieczeństwa i ochrony środowiska naturalnego

- Najlepiej działają przewody zewnętrzny nie dłuższe niż 4 m. Może skręcać pod kątem prostym nie więcej niż 2 razy, a jego średnica musi być co najmniej  $\varnothing 120$  mm.
- Przed każdą interwencją wewnątrz okapu wyjmuj wtyczkę z gniazdka.

## 1.1.2 Bezpieczeństwo: Wyrób

- Wylot okapu można przyłączyć do przewodu kominowego rurą o średnicy 120 mm lub 150 mm.
  - Nie wolno przyłączać się do przewodów kominowych połączonych z kuchenkami, szybów wylotowych, ani przewodów kominowych, w których palą się płomienie. Przestrzegaj urzędowych zasad zrzutu powietrza wylotowego.
  - Pomiędzy dolną powierzchnią okapu a górną powierzchnią kuchenki/ piecyka powinien być odstęp co najmniej 65 cm.
  - Nie używaj okapu bez filtrów aluminiowych i nie wyjmuj ich, gdy okap działa.
  - Nie dotykaj lampy okapu, jeśli paliła się długo. Można poparzyć dłonie taką gorącą lampą.
  - Wystrzegaj się wysokich płomieni pod okapem. Grozi to zapaleniem się cząstek na filtrze oleju, co może spowodować pożar.
  - Kuchenkę załączaj dopiero po postawieniu na niej garnków lub patelni.
- W przeciwnym razie rosnąca temperatura może odkształcać niektóre części okapu.
- Wyłączaj kuchenkę zanim zdejmiesz z niej garnki i patelnie.
  - Wystrzegaj się materiałów łatwopalnych pod okapem.
  - Podczas smażenia potraw może się zapalić olej. Dlatego należy uważać na tkaniny i zasłony.
  - Nie wolno pozostawiać kuchenki bez nadzoru, gdy smażą się na niej potrawy, bo grozi to zapaleniem się oleju i pożarem.
  - Jeśli nie czyści się okapu z określoną częstotliwością, podnosi to zagrożenie pożarem.
  - Podczas czyszczenia okapu zachowaj szczególną ostrożność i noś rękawice.

# 1 Ważne instrukcje zachowania bezpieczeństwa i ochrony środowiska naturalnego

- Zalecamy uruchamianie okapu na kilka minut przed rozpoczęciem gotowania, aby nabrał mocy ssania. Dzięki temu, gdy zaczną się opary, ssanie będzie ciągłe i stabilne.
- Nie wyłączaj okapu przez 15 minut po zakończeniu gotowania lub smażenia, aby usunąć z kuchni zapach oparów gotowania.
- Gdy okap działa, zwłaszcza jeśli działa nad kuchenką gazową, upewnij się, że pomieszczenie to jest wentylowane czystym powietrzem.
- Zwróć uwagę, aby nie przyłączać okapu do przewodów kominiowych używanych przez urządzenia niefelktryczne. ( Np.: przewód spalinowy grzejnika).
- Jeśli w tym samym pomieszczeniu, jednocześnie z okapem używa się jakiegoś urządzenia niefelktrycznego, to aby okap nie zasysał do pomieszczenia gazu wylotowego z tego urządzenia, podciśnienie w pomieszczeniu nie może przekraczać 0,4 mbara.

## 1.1.3 Bezpieczeństwo: Dzieci

- Materiały opakowaniowe są niebezpieczne dla dzieci. Należy trzymać je w bezpiecznym miejscu, poza zasięgiem dzieci.
- Urządzenie elektryczne są niebezpieczne dla dzieci. Trzymaj dzieci z dala od tego okapu. Nie pozwalaj dzieciom bawić się nim.

## 1.2 Przeznaczenie

- Urządzenie to przeznaczone jest do użytku domowego. Nie nadaje się do zastosowań komercyjnych i nie należy go używać niezgodnie z przeznaczeniem.
- Producent nie ponosi odpowiedzialności za szkody spowodowane niewłaściwym użytkowaniem lub transportem.
- Okres używalności tego okapu wynosi 10 lat. Jest to okres, w którym do nabycia będą części zamienne do utrzymania działania okapu.

# Ważne instrukcje zachowania bezpieczeństwa i ochrony środowiska naturalnego

## 1.3 Zgodność z Dyrektywą WEEE i pozbywanie się zużytych wyrobów



Wyrób ten nie zawiera materiałów szkodliwych ani zabronionych określonych w "Dyrektywie w sprawie ograniczenia stosowania niektórych niebezpiecznych substancji w odpadach elektrycznych i

elektronicznych (WEEE)" wydanej przez Ministerstwo Środowiska i Urbanistyki Turcji

Wyrób zgodny z Dyrektywą WEEE.

Wyrób ten wykonano z części i materiałów wysokiej jakości, które mogą być odzyskane i użyte jako surowce wtórne. A zatem po zakończeniu użytkowania nie należy pozbywać się go razem z innymi odpadkami domowymi. Należy przekazać go do punktu zbiórki urządzeń elektrycznych i elektronicznych na surowce wtórne. Gdzie jest najbliższy taki punkt zbiórki można dowiedzieć się od władz miejscowych.

Odzyskując surowce z używanych wyrobów, pomagamy chronić środowisko naturalne.

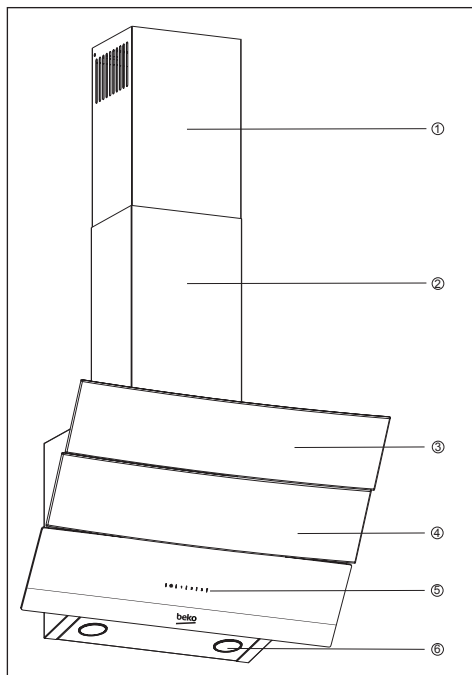
## 1.4 Informacje o opakowaniu



Ni-MH

Opakowanie tego wyrobu wykonano z materiałów nadających się do recyklingu, zgodnie z naszym ustawodawstwem krajowym. Nie wrzucaj odpadów z opakowania wraz ze śmieciami domowymi ani żadnymi innymi, tylko dostarczać je do wskazanych przez władze lokalne punktów zbiórki opakowań.

## 2 Dane techniczne okapu



1. Przewód wylotowy wewnętrzny
2. Przewód wylotowy zewnętrzny
3. Pokrywa szklana
4. Filtr (pod pokrywą szklaną)
5. Panel sterowania
6. Oświetlenie

(Rysunek1)

	HCA 92640 BH	HCA 92640 WH	HCA 62640 W	HCA 62640 WH
Szerokość	896 mm	896 mm	596 mm	596 mm
Głębokość	393 mm	393 mm	386 mm	386 mm
Wysokość	750 mm / 1130 mm	750 mm / 1130 mm	750 mm / 1080 mm	750 mm / 1080 mm
Napięcie zasilania	220 - 240 V, 50 Hz	220 - 240 V, 50 Hz	220 - 240 V, 50 Hz	220 - 240 V, 50 Hz
Sterowanie	3-poziomowe	3-poziomowe	3-poziomowe	3-poziomowe
Moc lampki	2 x 3 W	2 x 3 W	2 x 3 W	2 x 3 W
Rura wylotu powietrza	120 / 150 mm	120 / 150 mm	120 / 150 mm	120 / 150 mm
Wydajność	577 m <sup>3</sup> /h	577 m <sup>3</sup> /h	537 m <sup>3</sup> /h	537 m <sup>3</sup> /h
Moc silnika	1 x 210 W	1 x 210 W	1 x 210 W	1 x 210 W
Łączna moc	216 W	216 W	216 W	216 W
Masa netto	13 kg	13 kg	10,4 kg	10,4 kg
Kolor	Czarny	Biały	Biały	Biały

Wartości podane na etykietach okapu i w dokumentach wraz z nim dostarczonych uzyskano w warunkach laboratoryjnych, według stosownych norm. Wartości te mogą różnić się w zależności od warunków eksploatacji oraz otoczenia okapu.

## 2 Dane techniczne okapu

	HCA 62640 B	HCA 62640 BH	HCA 62540 B	HCA 92540 B
Szerokość	596 mm	596 mm	596 mm	896 mm
Głębokość	386 mm	386 mm	386 mm	393 mm
Wysokość	750 mm /1080 mm	750 mm /1080 mm	750 mm /1080 mm	750 mm /1130mm
Napięcie zasilania	220 - 240 V, 50 Hz	220 - 240 V, 50 Hz	220 - 240 V, 50 Hz	220 - 240 V, 50 Hz
Sterowanie	3-poziomowe	3-poziomowe	3-poziomowe	3-poziomowe
Moc lampki	2 x 3 W	2 x 3 W	2 x 3 W	2 x 3 W
Rura wylotu powietrza	120 /150 mm	120 /150 mm	120 /150 mm	120 /150 mm
Wydajność	537 m <sup>3</sup> /h	537 m <sup>3</sup> /h	566 m <sup>3</sup> /h	593 m <sup>3</sup> /h
Moc silnika	1 x 210 W	1 x 210 W	1 x 210 W	1 x 210 W
Łączna moc	216 W	216 W	216 W	216 W
Masa netto	10,4 kg	10,4 kg	10,4 kg	13 kg
Kolor	Czarny	Czarny	Czarny	Czarny

	HCA 62641 BH	HCA 62641 WH	HCA 92641 BH	HCA 92641 WH
Szerokość	596 mm	596 mm	896 mm	896 mm
Głębokość	386 mm	386 mm	393 mm	393 mm
Wysokość	750 mm /1080 mm	750 mm /1080 mm	750 mm /1130 mm	750 mm /1130 mm
Napięcie zasilania	220 - 240 V, 50 Hz	220 - 240 V, 50 Hz	220 - 240 V, 50 Hz	220 - 240 V, 50 Hz
Sterowanie	3-poziomowe	3-poziomowe	3-poziomowe	3-poziomowe
Moc lampki	2 x 3 W	2 x 3 W	2 x 3 W	2 x 3 W
Rura wylotu powietrza	120 /150 mm	120 /150 mm	120 /150 mm	120 /150 mm
Wydajność	638 m <sup>3</sup> /h	638 m <sup>3</sup> /h	648 m <sup>3</sup> /h	648 m <sup>3</sup> /h
Moc silnika	1 x 210 W	1 x 210 W	1 x 210 W	1 x 210 W
Łączna moc	216 W	216 W	216 W	216 W
Masa netto	10,4 kg	10,4 kg	13 kg	13 kg
Kolor	Czarny	Biały	Czarny	Biały



## 3 Montaż okapu

W sprawie montażu okapu proszę skonsultować się z najbliższym **Autoryzowanym Agentem Serwisowym**.

\*Przygotowanie miejsca i instalacji elektrycznej dla okapu jest obowiązkiem klienta.



### Ostrzeżenie!

Po montażu zdejmij folię ochronną (jeśli jest) z powierzchni okapu i kominu.

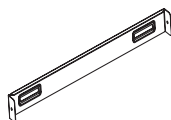
Odległość pomiędzy dolną powierzchnią okapu a górną powierzchnią kuchenki powinna wynosić co najmniej 65 cm.

Wykonanie połączeń elektrycznych zleć wykwalifikowanemu elektrykowi.

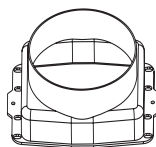
Zamontuj okap tak, aby po montażu można było łatwo sięgnąć do miejsca przyłączenia zasilanie (wtyczka, gniazdko).

Wymiary w milimetrach.

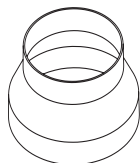
### 3.1 Akcesoria do montażu



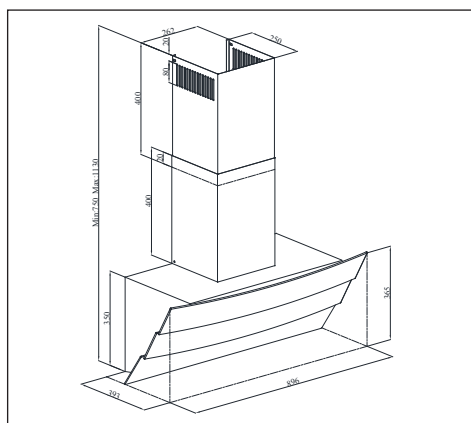
1 x płytki złącza kominu



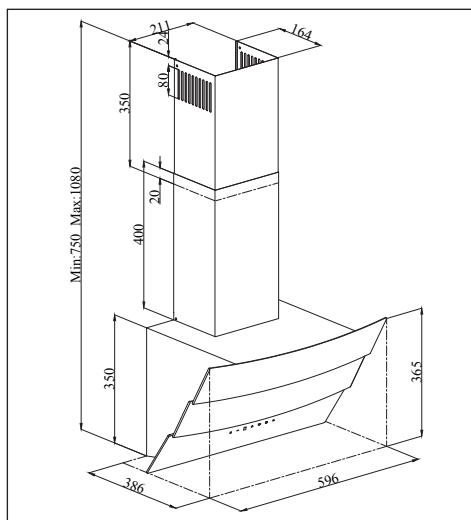
1 x kominu plastikowy  
Ø150 mm



1 x plastikowa złączka przewodu kominu  
Ø120/150 mm



(Rysunek 2)

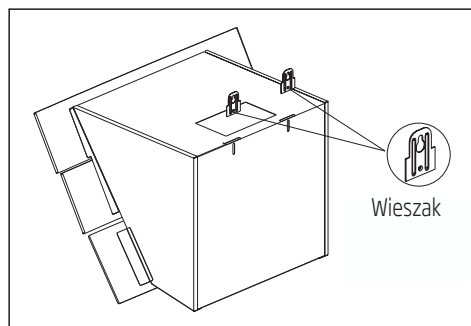


## 3 Montaż okapu

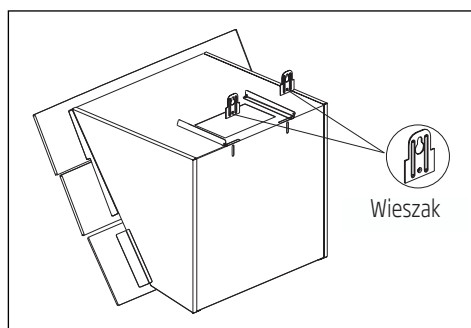
Poniżej podano informacje potrzebne do przygotowania miejsca montażu okapu.

### 3.2 Montaż okapu na ścianie

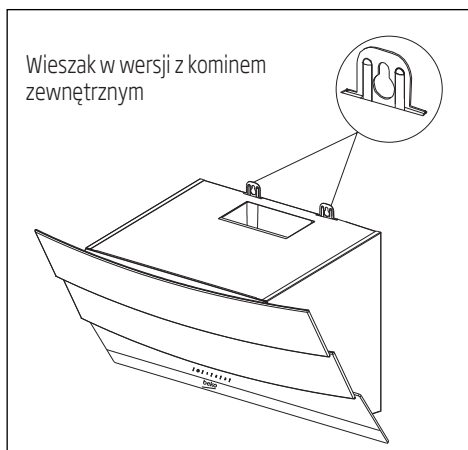
Aby zamontować okap na ścianie, poluzuj śruby w wieszakach na obudowie silnika i wyciągnij wieszaki. Następnie dokręć śruby w wieszakach. (Rysunek 3a).



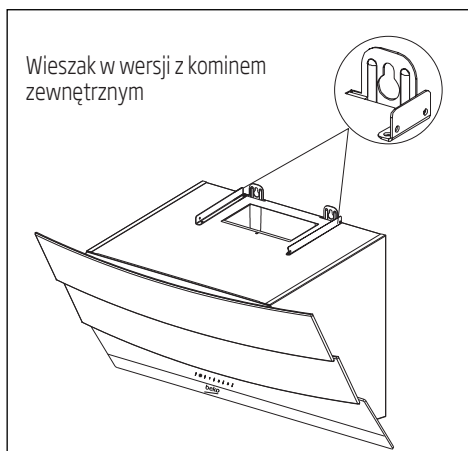
(Rysunek 3a - 60)



(Rysunek 3a - 90)



(Rysunek 3b - 60)

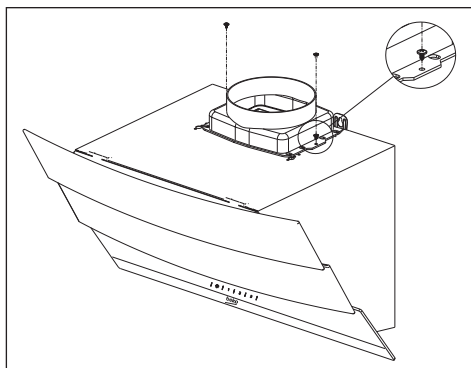


(Rysunek 3b - 90)

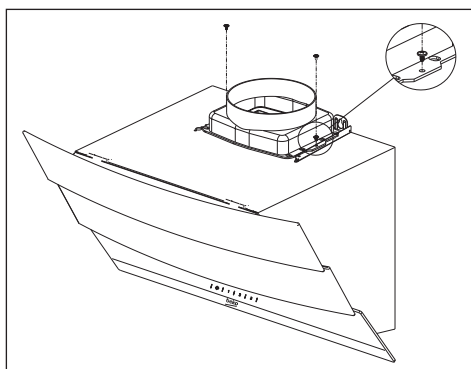
Zamocuj plastikową złączkę przewodu kominu  $\varnothing 150$  na szczycie korpusu wkrętami 3,5x9,5 dostarczonymi razem z akcesoriami do montażu (Rysunek 4).

Jeśli stosujesz komin  $\varnothing 120$ , załóż nań złączkę rurową  $\varnothing 120$  mm.

### 3 Montaż okapu



(Rysunek 4 - 60)

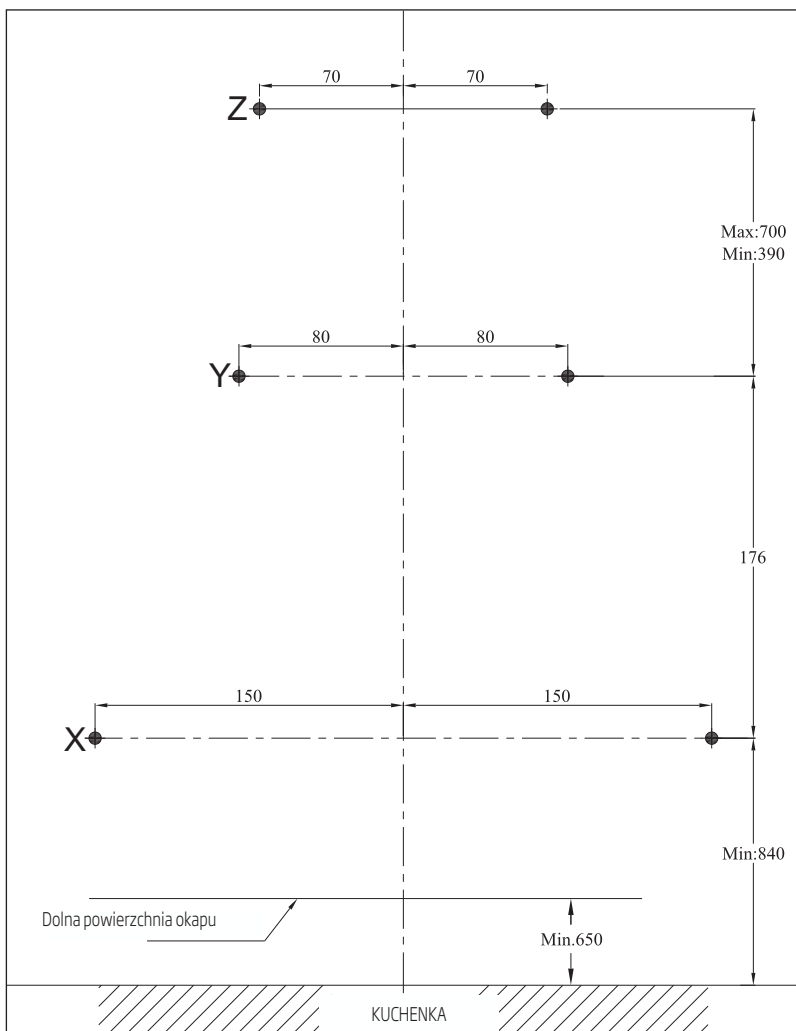


(Rysunek 4 - 90)

## 3 Montaż okapu

### 3.2.1 Wiercenie otworów na wieszaki

Przyłóż szablon instalacyjny w miejscu montażu okapu. Wierć otwory oznaczone (X,Y) (**Rysunek 5**) wiertłem  $\varnothing 10$  mm oraz punkty oznaczone (Z) (**Rysunek 5**) wiertłem  $\varnothing 6$  mm.



(Rysunek 5)

## 3 Montaż okapu

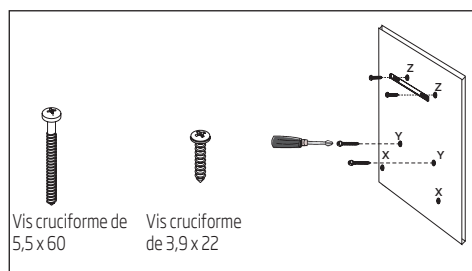
### 3.2.2 Mocowanie kołków rozporowych

Wciśnij kołki  $\varnothing$  10 mm (X,Y) w otwory wywiercone dla śrub wieszaków. Wciśnij 2 x kołki  $\varnothing$  6 mm (Z) w otwory wywiercone wiertłem  $\varnothing$ 6 mm do mocowania płytki złącza komina zewnętrznego. **(Rysunek 5)**.

### 3.2.3 Zakładanie śrub wieszaków

Założ śruby 5,5x60 wieszaków we wciśnięte w ścianę kołki  $\varnothing$  10 mm (Y). Zachowaj odstęp 5 mm pomiędzy łbem śruby a ścianą. **(Rysunek 6)**.

Przymocuj płytkę złącza komina wewnętrznego do ściany wkrętami 3,9x22  $\varnothing$  wkręconymi w kołki 6 mm (Z). **(Rysunek 6)**



**(Rysunek 6)**

### 3.2.4 Wieszanie okapu na ścianie

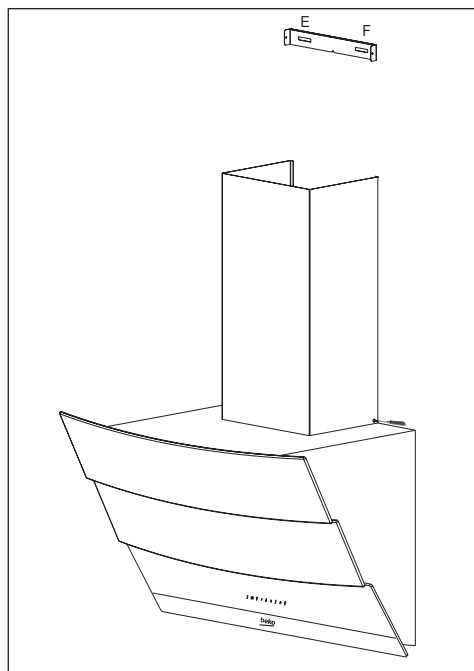
- Zawieś okap na śrubach wkręconych w otwory Y.
- Otwórz boczne okienko wlotowe w okapie pociągając za nie ku sobie. Założ śruby 5,5x60 w otwory umieszczone wewnątrz, aby zabezpieczyć okap.

## 3 Montaż okapu

### 3.3 Montaż komina okapu

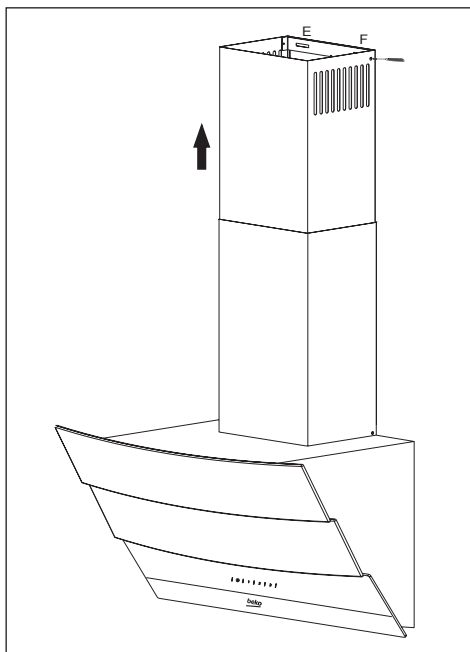
Przed montażem komina odłączyć okap od zasilania elektrycznego. Zamontuj blaszane części komina wokół korpusu.

Przykręć komin zewnętrzny do płytki złącza na obudowie silnika. **(Rysunek 3b/ 7)**



**(Rysunek 7)**

Założ i przykręć komin wewnętrzny zewnętrzną krawędzią do przytwierdzonej do ściany płytki złącza **(Rysunek 8)**.



**(Rysunek 8)**

## 3 Montaż okapu

### 3.4.1 Montaż z wylotem do przewodu kominowego

- Opary wylatują rurą wylotową przytwierdzoną do głowicy złącza na okapie.
- Średnica rury wylotowej powinna być równa średnicy złączki pierścieniowej. Aby łatwo usuwać powietrze z pokoju w układach poziomych, przewód ten powinien się lekko unosić (o ok. 10°).

### 3.4.2 Montaż bez wylotu do przewodu kominowego

- Powietrze filtruje się przez filtr z węgla aktywnego i zawraca do pomieszczenia. Filtr węglowy stosuje się, gdy w domu nie ma przewodów kominowych.
- Jeżeli okap działać będzie bez wylotu do przewodu kominowego, usuń dywertery z wnętrza złączki przewodu wylotowego.
- Wyjmij filtr aluminiowy. Aby złożyć filtr węglowy, ustaw go na elemencie plastikowym na środku względem obu stron korpusu wentylatora i zamocuj go na wypustkach. Zabezpiecz filtr obracając wypustki w prawo lub lewo.
- Załóż filtr aluminiowy.

## 3.5 Wylot do przewodu kominowego:

Włóż dostarczoną wraz z okapem złączkę rurową do otworu wentylacyjnego w górnej części okapu. Zaopatr się w rurę o średnicy 120/150 mm. Przyłącz jeden koniec rury do złączki, a drugi koniec do przewodu kominowego.

Upewnij się, że oba te połączenia są wystarczająco trwałe, aby nie rozłączyły się, gdy okap działa z maksymalną prędkością. Sprawdź, że klapki wewnątrz komina działają, gdy zaciągnie się je klamerką. Osadź rurę wylotową na złączce. Jeśli założysz rurę wylotową wewnątrz złączki, powietrze nie będzie zasysane ponieważ zapobiegające cofaniu powietrza klapki pozostaną zamknięte.

Nie zaleca się przyłączania wylotu okapu do przewodów kominowych połączonych z kuchenkami ani do szybów wylotowych. Nie należy przyłączać wylotu okapu do takich przewodów kominowych. Rura łącząca musi być możliwie najkrótsza i mieć niewiele kolanek.

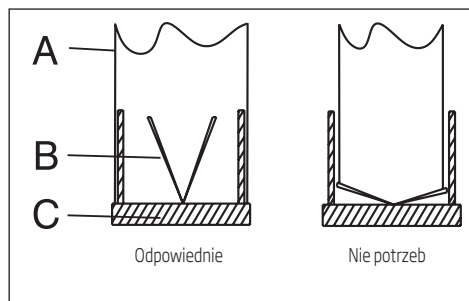
A: Rura wylotowa

B: Klapki zapobiegające cofaniu powietrza

C: Plastikowy przewód kominowy

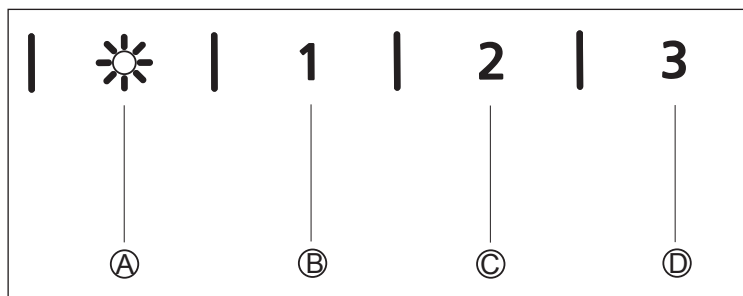
### 3.5.1 System zapobiegania cofaniu powietrza (N-RV)

Gdy okap działa, klapki są zamknięte, aby zapobiec ewentualnemu przenikaniu do wewnątrz zapachów i kurzu z zewnątrz.



(Rysunek 9)

## 4 Obsługa okapu



(Rysunek 9)

**(A):** Wył./zał. oświetlenia

**(B):** 1. poziom

**(C):** 2. poziom

**(D):** 3. poziom

### 4.1 Elektroniczne, cyfrowe sterowanie 3-poziomowe

**(A) Wył./zał. oświetlenia:** Za naciśnięciem tego przycisku oświetla się kuchenkę.

**(B) przycisk:** Za naciśnięciem tego przycisku uruchamia się okap z prędkością na poziomie 1.

Po ponownym naciśnięciu tego przycisku, aby wyłączyć okap, wskaźnik poziomu prędkości zniknie z wyświetlacza.

**(C) przycisk:** Za naciśnięciem tego przycisku uruchamia się okap z prędkością na poziomie 2.

Po ponownym naciśnięciu tego przycisku, aby wyłączyć okap, wskaźnik poziomu prędkości zniknie z wyświetlacza.

**(D) przycisk:** Za naciśnięciem tego przycisku uruchamia się okap z prędkością na poziomie 3.

Po ponownym naciśnięciu tego przycisku, aby wyłączyć okap, wskaźnik poziomu prędkości zniknie z wyświetlacza.

### Auto-stop za 15 min.:

Urządzenie to wyposażone jest w funkcję Auto-Stop, która umożliwi mu wentylację pomieszczenia przez dodatkowy czas w celu usunięcia z kuchni nieprzyjemnego zapachu i oparów po ukończeniu gotowania. Urządzenie to zatrzyma się automatycznie po upływie określonego czasu.

Aby załączyć funkcję Auto-stop, naciśnij jeden z klawiszy poziomu prędkości (B, C, D) i przytrzymaj ponad 2 sekundy. Uruchomi się 15-minutowy zegar.

Jeśli naciśnie się ten sam przycisk poziomu prędkości przy załączonej funkcji Auto-stop, funkcja zostanie wyłączona, a urządzenie zatrzyma się.

Jeśli wybierze się inny poziom prędkości, funkcja ta zostanie wyłączona.

Jeśli chcesz, aby okap wyłączał się automatycznie, musisz ponownie załączyć funkcję Auto-stop.

### Okresowe czyszczenie filtrów metalowych:

Filtry trzeba czyścić co ok. 60 godzin pracy, lub 4 tygodnie, w zależności od częstotliwości używania.



### 4.2 Użytkowanie energooszczędne:

- Podczas pracy okapu, aby uniknąć niepotrzebnego zużycia energii, reguluj poziom prędkości.
- Stosuj niskie prędkości w normalnych warunkach (1-2), a wysokie (3), kiedy zapach i opary się nasilają.
- Światła na okapie służą do oświetlenia kuchenki. Wykorzystywanie ich do oświetlenia otoczenia / kuchni powoduje niepotrzebne zużycie energii oraz niedostateczne oświetlenie.

### 4.3 Obsługa okapu:

- Okap wyposażony jest w silnik z różnymi ustawieniami prędkości.
- Aby uzyskać lepsze wyniki zalecamy stosować niskie prędkości w warunkach normalnych, a wysokich gdy zapach i opary się nasilają.
- Okap można uruchomić naciskając odpowiedni przycisk poziomu prędkości ( B, C, D ).
- Można oświetlić kuchenkę naciskając przycisk oświetlenia. (A)

## 5 Czyszczenie i konserwacja

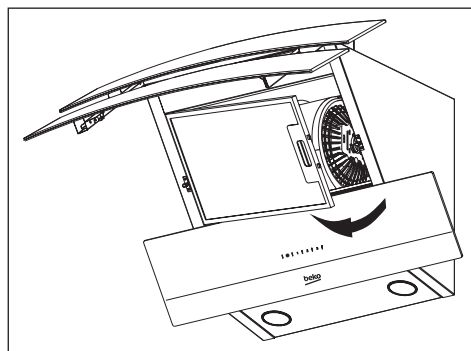
Przed czyszczeniem i konserwacją należy wyjąć wtyczkę z gniazdka sieciowego, wyłączyć główny wyłącznik lub odkręcić bezpiecznik w okapie.

### 5.1 Filtr aluminiowy

Filtr ten wychwytuje cząstki oleju z powietrza. Przy normalnym użytkowaniu zaleca się czyścić ten filtr co miesiąc. Najpierw wyjmij w tym celu filtry aluminiowe. Umyj je płynnym detergentem i wypłucz wodą, a gdy wyschną, załóż je z powrotem. Filtry aluminiowe mogą się odbarwiać wraz z myciem, to normalne i nie trzeba ich wymieniać.

#### 5.1.1 Wymywanie filtrów aluminiowych

1. Naciśnij zamek filtra aluminiowego.
2. Następnie, lekko opuść go i pociągnij do przodu. W przeciwnym razie filtr może się wygiąć. **(Rysunek 10)** Wstaw umyty i wysuszony filtr aluminiowy w jego gniazdo postępując w kolejności odwrotnej do powyższej.



(Rysunek 10)



Filtry aluminiowe można również myć w zmywarce do naczyń.

### Filtr węglowy (bez wylotu do przewodu kominowego)

Filtr ten usuwa nieprzyjemne zapachy kuchenne. Jeżeli nie można skorzystać z przewodu kominowego, oczyszcza powietrze, które krąży w kuchni. Filtr węglowy w okapie z czasem będzie się zatykał, w zależności od częstotliwości używania, stylu gotowania i regularnego czyszczenia filtrów aluminiowych.



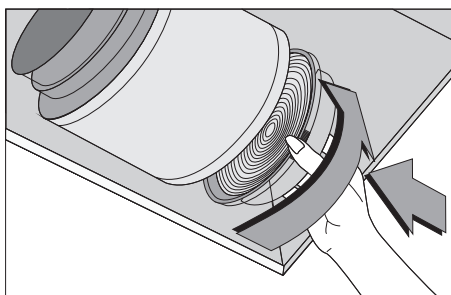
#### ostrzeżenie!

Filtra węglowego myć nie należy.

**Filtry węglowe Beko można nabyć u Autoryzowanych Agentów Serwisowych**

### 5.2.1 Wymiana filtrów węglowych

- Wyjmij filtry aluminiowe. (Rysunek 10)
- Aby wyjąć filtr węglowy, obróć wypustki w kierunku przeciwnym do ruchu wskazówek zegara i zwolnij filtr. (Rysunek 11)
- Załóż nowy filtr węglowy.
- Załóż filtry aluminiowe.



(Rysunek 11)

Filtry przeciwzapachowe zawierają węgiel aktywny. Trzeba je wymieniać co ok. 6 miesięcy.

Niezależnie od tego, czy używa się filtra węglowego, czy nie, filtry aluminiowe muszą być zawsze zainstalowane.

## 5 Czystczenie i konserwacja

Nie uruchamiaj okapu, jeśli nie ma w nim filtra aluminiowego. Użycie filtra węglowego zmniejsza ciąg w okapie.

### 5.3 Czystczenie

Przed wszystkim nie zaniedbuj czyszczenia okapu zaraz po smażeniu.

Okap z zewnątrz czyści się miękką ściereczką nasączoną płynnym detergentem.

Do czyszczenia nie należy używać materiałów szorstkich ani ciernych.

Można używać dostępnych w handlu środków czyszczących uporczywy tłusty brud itp., stosując się do ostrzeżeń na ich opakowaniu. Aby nie zarysować szczotkowanej stali korpusu, wycieraj go w kierunku zgodnym z ruchem szczotki.

Aby zachować stan powierzchni okapu, nie używaj środków zawierających kwas solny, wybielacze, ani proszki ściernie. Używaj ściereczki nawilżonej wodą z mydłem lub specjalnego sprayu do czyszczenia powierzchni ze stali nierdzewnej. Usuń z okapu folię ochronną.



#### Ostrzeżenie!

Jeśli nie postępuje się zgodnie z instrukcjami czyszczenia i wymiany filtrów w okapie, można spowodować pożar.

Jeśli trzeba okap przewieźć:

- Zachowaj jego oryginalne opakowanie. Okap przewozi się w oryginalnym opakowaniu i zgodnie z podanymi na nim oznaczeniami transportowymi.

#### Jeśli nie masz oryginalnego opakowania:

- Nie stawiaj niczego na okapie.
- Zabezpiecz powierzchnię zewnętrzną przed uderzeniami.
- Tak opakuj okap, żeby się nie uszkodził w transporcie.

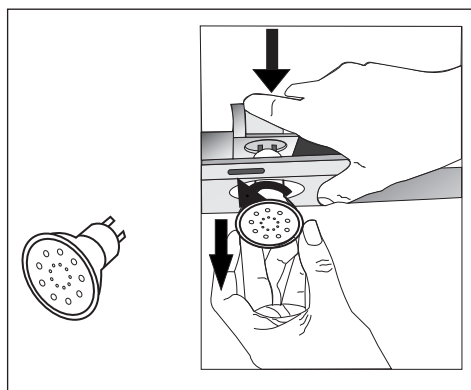
### 5.4 Wymiana lamp

Odłącz okap od zasilania elektrycznego.

To urządzenie jest wyposażone w lampy LED o mocy 3 W.

Aby wymienić lampy LED, zwolnij je, naciskając tylną część oprawki. Następnie obróć zgodnie z ruchem zegara o 1/4 obrotu i wyjmij.

Nowe lampy zakłada się wykonując te czynności w odwrotnej kolejności.



Lampy należy nabyć u Autoryzowanych Serwisowych Agentów.

# Lees eerst deze gebruikershandleiding!

Beste klant,

Dank u voor het kiezen van een product van Beko. We hopen dat u het beste haalt uit uw product, dat vervaardigd is met de modernste technologie van hoge kwaliteit. Lees daarom deze gebruikershandleiding en andere bijgeleverde documenten volledig en zorgvuldig door voordat u het product gaat gebruiken en bewaar deze ter referentie in de toekomst. Als u het product aan iemand anders geeft, overhandig dan ook de gebruikershandleiding. Volg alle waarschuwingen en informatie in de gebruikershandleiding op.

Onthoud dat deze gebruikershandleiding ook van toepassing is op verschillende andere modellen. Verschillen tussen modellen worden in de handleiding geïdentificeerd.

## Uitleg van de symbolen

Door deze gehele gebruikershandleiding worden de volgende symbolen gebruikt:



Belangrijke informatie of nuttige aanwijzingen voor gebruik.



Waarschuwing voor gevaarlijke situaties met betrekking tot leven en eigendom.



Gevaar voor elektrische schok.



Dit product is vervaardigd met de nieuwste technologie onder milieuvriendelijke omstandigheden.

Dit deel bevat veiligheidinstructies die u beschermen tegen het risico op persoonlijk letsel of schade aan eigendommen. Alle garanties komen te vervallen als u deze instructies niet opvolgt.

## 1.1 Algemene veiligheid

- Laat de installatie- en reparatiewerkzaamheden altijd uitvoeren door een erkende serviceagent. De fabrikant kan niet aansprakelijk worden gehouden voor schade die voortkomt uit werkzaamheden die door niet-erkende personen zijn uitgevoerd.
- Dit toestel is niet bedoeld voor gebruik door personen (waaronder kinderen) met beperkte fysieke, zintuiglijke of mentale capaciteiten of met een gebrek aan ervaring en kennis. Kinderen moeten onder toezicht staan om ervoor te zorgen dat ze niet spelen met het apparaat.
- Indien het netsnoer beschadigd is, moet dit door de fabrikant, een after-salesservice of een gelijkwaardig gekwalificeerd persoon (bij voorkeur een elektricien) of een door de importeur aangewezen persoon worden gerepareerd om gevaar te voorkomen.
- Werkingsstroom is tussen de 220 en 240 volt.
- Als het apparaat een storing vertoont, moet er niet mee gewerkt worden voordat het is gerepareerd door de erkende serviceagent. Er bestaat een risico op elektrische schok!
- Leg geen stroomkabels dichtbij fornuizen. Anders kan de stroomkabel smelten en in brand vliegen.
- Sluit de afzuigkap nooit aan op de stroom voordat de installatie voltooid is.
- Om de beste resultaten te verkrijgen moet de externe conductor niet langer zijn van 4 m. Deze mag niet meer dan 2 loodrechte (90°) hoeken hebben en de diameter moet min.  $\varnothing 120$  mm zijn.
- Sluit het apparaat af voordat enige werkzaamheden aan de interne onderdelen van het apparaat worden uitgevoerd.

### 1.1.1 Elektrische veiligheid

- Sluit het product af van de stroom tijdens installatie-, onderhouds-, reinigings- en reparatiewerkzaamheden.

## 1.1.2 Productveiligheid

- U kunt een pijp met een diameter van 120 mm of 150 mm gebruiken voor de aansluiting van de afzuigkap op het rookkanaal.
- Sluit het niet aan op rookkanalen die zijn aangesloten op kachels, uitlaatschachten of rookkanalen met opgaande vlammen. Raadpleeg de regelgeving van de gemeente voor de afvoer van uitlaatgas.
- De hoogte tussen het laagste oppervlak van de afzuigkap en het bovenste oppervlak van het fornuis/de oven mag niet minder zijn dan 65 cm.
- Laat de afzuigkap niet functioneren zonder aluminium filters en verwijder de filters niet tijdens de werking.
- Raak de lamp van de afzuigkap nooit aan nadat deze lang heeft aangestaan. Hete lampen kunnen uw handen verbranden.
- Voorkom grote vlammen onder het product. Anders kunnen deeltjes op het vetfilter ontsteken en tot brand leiden.
- Zet de kookplaat aan nadat er pannen zijn opgezet. Anders kan de opkomende temperatuur bepaalde delen van uw product misvormen.
- Zet de kookplaat uit voordat u de pannen ervan af neemt.
- Vermijd ontvlambare materialen onder de afzuigkap.
- Olie kan ontvlammen bij het frituren van voedsel. Wees daarom voorzichtig met doeken en gordijnen.
- Laat de frituurpan bij het frituren nooit onbeheerd achter; anders kan kokende olie in brand vliegen.
- Er bestaat een risico op brand als uw afzuigkap niet binnen de aangegeven perioden wordt gereinigd.
- Wees uitermate voorzichtig en draag handschoenen bij het reinigen van de afzuigkap.
- We adviseren u het apparaat een paar minuten voordat u gaat koken aanzet om het afzuigvermogen te vermeerderen. Zo heeft u een voortdurend en stabiel afzuigvermogen als de dampen opstijgen.

- Laat uw afzuigkap na de beëindiging van het koken of bakken gedurende 15 minuten doorwerken om alle kookdampen in de keuken te verwijderen.
- Zorg in het bijzonder in combinatie met gasfornuizen dat als de afzuigkap in gebruik is de ruimte geventileerd wordt met schone lucht.
- Zorg dat het apparaat niet wordt aangesloten op het rookkanaal dat wordt gebruikt door niet-elektrische apparaten. (bijv.: rookkanaal voor kachel).
- Als een niet-elektrisch apparaat op hetzelfde moment in dezelfde ruimte wordt gebruikt als de afzuigkap, mag de negatieve druk in de ruimte maximaal 0,4 mbar zijn om te voorkomen dat de afzuigkap de uitlaatgassen van het andere apparaat in de ruimte zuigt.

## 1.1.3 Kinderveiligheid

- Verpakkingsmateriaal is gevaarlijk voor kinderen. Houd verpakkingsmateriaal op een veilige plek buiten het bereik van kinderen.
- Elektrische apparaten zijn gevaarlijk voor kinderen. Houd kinderen buiten bereik van het product. Laat kinderen niet met het apparaat spelen.

## 1.2 Bedoeld gebruik

- Dit apparaat is bedoeld voor huishoudelijk gebruik. Het is niet geschikt voor commercieel gebruik en moet niet anders worden gebruikt dan waarvoor het is bedoeld.
- De producent is niet aansprakelijk voor schade als gevolg van onjuist gebruik of hantering.
- De levensduur van uw apparaat is 10 jaar. Dit is de vereiste periode voor beschikbaarheid van onderdelen voor het functioneren van het product.

## 1.3 Naleving met de WEEE-norm en verwerking van afvalproducten



Dit product bevat geen schadelijke en verboden materialen zoals omschreven in de "Richtlijn over de beperking van het gebruik van bepaalde gevaarlijke stoffen in het afval van elektrische en elektronische apparatuur" (WEEE) uitgegeven door de T.R. Ministerie van Milieu en Verstedelijking.

Voldoet aan de WEEE-norm.

Dit product werd van hoogwaardige materialen en onderdelen gemaakt die hergebruikt en gerecycled kunnen worden. Gooi dit product dus niet weg bij het normale huisvuil wanneer het niet meer werkt. Breng het naar een inzamelpunt voor de recycling van elektrische en elektronische apparatuur. Raadpleeg uw gemeente om te weten welk het dichtstbijzijnde verzamelpunt is. Help mee het milieu en natuurlijke bronnen te beschermen door gebruikte producten te recyclen.

## 1.4 Pakketinformatie

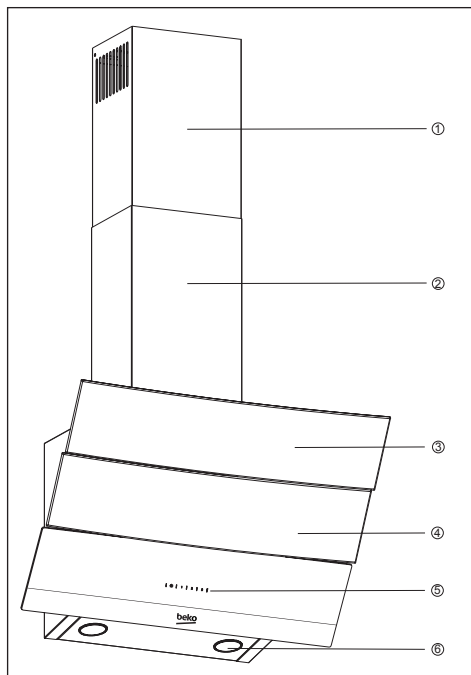


Ni-MH

Het verpakkingsmateriaal van het product is vervaardigd uit gerecyclede materialen overeenkomstig onze nationale regelgeving. Gooi het verpakkingsmateriaal niet weg met het huishoudelijk afval of ander afval en lever het in bij een verzamelpunt dat door de gemeente is aangegeven.



## 2 Technische specificaties van uw product



1. Intern rookkanaal
2. Extern rookkanaal
3. Glazen kap
4. Filter (onder de glazen kap)
5. Bedieningspaneel
6. Verlichting

(Afbeelding 1)

	HCA 92640 BH	HCA 92640 WH	HCA 62640 W	HCA 62640 WH
Breedte	896 mm	896 mm	596 mm	596 mm
Diepte	393 mm	393 mm	386 mm	386 mm
Hoogte	750 mm / 1130 mm	750 mm / 1130 mm	750 mm / 1080 mm	750 mm / 1080 mm
Stroomvoltage	220 - 240 V, 50 Hz	220 - 240 V, 50 Hz	220 - 240 V, 50 Hz	220 - 240 V, 50 Hz
Bediening	Met 3 standen	Met 3 standen	Met 3 standen	Met 3 standen
Lampvermogen	2 x 3 W	2 x 3 W	2 x 3 W	2 x 3 W
Luchtuitlaatpijp	120 / 150 mm	120 / 150 mm	120 / 150 mm	120 / 150 mm
Capaciteit	577 m <sup>3</sup> /h	577 m <sup>3</sup> /h	537 m <sup>3</sup> /h	537 m <sup>3</sup> /h
Motorvermogen	1 x 210 W	1 x 210 W	1 x 210 W	1 x 210 W
Totaal vermogen	216 W	216 W	216 W	216 W
Netto gewicht	13 kg	13 kg	10,4 kg	10,4 kg
Kleur	Zwart	Wit	Wit	Wit

Waarden die op het productlabel of in de bijgevoegde documentatie vermeld staan, zijn verkregen uit laboratoriumomstandigheden overeenkomstig de relevante normen. Deze waarden kunnen variëren afhankelijk van de werk- en milieuomstandigheden van het product.

## 2 Technische specificaties van uw product

	HCA 62640 B	HCA 62640 BH	HCA 62540 B	HCA 92540 B
Breedte	596 mm	596 mm	596 mm	896 mm
Diepte	386 mm	386 mm	386 mm	393 mm
Hoogte	750 mm /1080 mm	750 mm /1080 mm	750 mm /1080 mm	750 mm /1130 mm
Stroomvoltage	220 - 240 V, 50 Hz	220 - 240 V, 50 Hz	220 - 240 V, 50 Hz	220 - 240 V, 50 Hz
Bediening	Met 3 standen	Met 3 standen	Met 3 standen	Met 3 standen
Lampvermogen	2 x 3 W	2 x 3 W	2 x 3 W	2 x 3 W
Luchtuitlaatpijp	120 / 150 mm	120 / 150 mm	120 / 150 mm	120 / 150 mm
Capaciteit	537 m <sup>3</sup> /h	537 m <sup>3</sup> /h	566 m <sup>3</sup> /h	593 m <sup>3</sup> /h
Motorvermogen	1 x 210 W	1 x 210 W	1 x 210 W	1 x 210 W
Totaal vermogen	216 W	216 W	216 W	216 W
Netto gewicht	10,4 kg	10,4 kg	10,4 kg	13 kg
Kleur	Zwart	Zwart	Zwart	Zwart

	HCA 62641 BH	HCA 62641 WH	HCA 92641 BH	HCA 92641 WH
Breedte	596 mm	596 mm	896 mm	896 mm
Diepte	386 mm	386 mm	393 mm	393 mm
Hoogte	750 mm /1080 mm	750 mm /1080 mm	750 mm /1130 mm	750 mm /1130 mm
Stroomvoltage	220 - 240 V, 50 Hz	220 - 240 V, 50 Hz	220 - 240 V, 50 Hz	220 - 240 V, 50 Hz
Bediening	Met 3 standen	Met 3 standen	Met 3 standen	Met 3 standen
Lampvermogen	2 x 3 W	2 x 3 W	2 x 3 W	2 x 3 W
Luchtuitlaatpijp	120 / 150 mm	120 / 150 mm	120 / 150 mm	120 / 150 mm
Capaciteit	638 m <sup>3</sup> /h	638 m <sup>3</sup> /h	648 m <sup>3</sup> /h	648 m <sup>3</sup> /h
Motorvermogen	1 x 210 W	1 x 210 W	1 x 210 W	1 x 210 W
Totaal vermogen	216 W	216 W	216 W	216 W
Netto gewicht	10,4 kg	10,4 kg	13 kg	13 kg
Kleur	Zwart	Wit	Zwart	Wit

## 3 Uw apparaat installeren

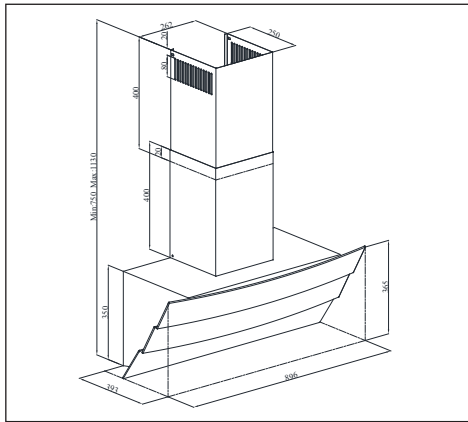
Raadpleeg de dichtstbijzijnde **erkende serviceagent** voor de installatie van uw afzuigkap.

\*De voorbereiding van de locatie en de elektrische installatie van het product komt voor de verantwoording van de klant.

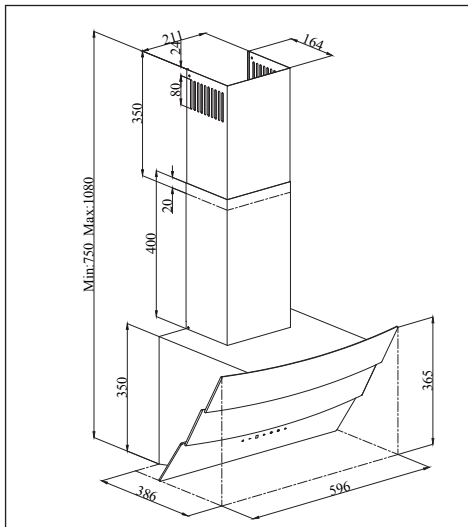


### Waarschuwing!

Verwijder de beschermfolie (indien aanwezig) na de installatie van afzuigkap en rookkanaal.



(Afbeelding 2)



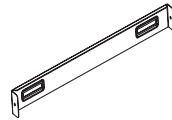
De afstand tussen het laagste oppervlak van de afzuigkap en het bovenste oppervlak van het fornuis moet minstens **65 cm** zijn.

Laat een erkende electricien de elektrische aansluiting verzorgen.

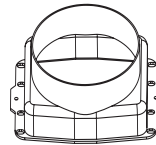
Installeer uw apparaat dusdanig dat u de stroomaansluiting (stekker, contactdoos) na de installatie makkelijk kunt bereiken.

Afmetingen zijn gegeven in mm.

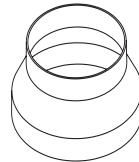
### 3.1 Installatieaccessoires



1 x aansluitplaat  
rookkanaal



1 x Ø150 mm kunststof  
rookkanaal



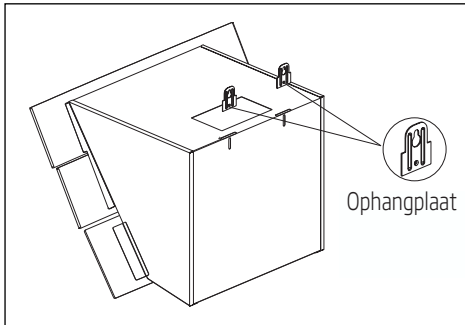
1 x Ø120/150 mm kunst-  
stof aansluitstuk voor  
rookkanaal

## 3 Uw apparaat installeren

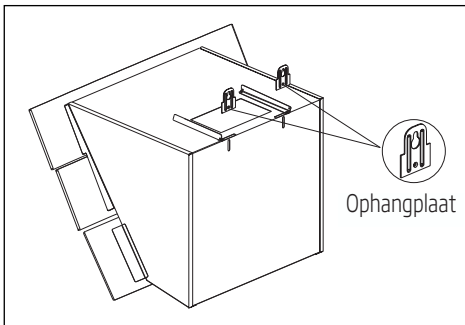
De benodigde informatie voor de voorbereiding van de plaats van installatie voor uw afzuigkap vindt u hieronder.

### 3.2 Installatie van de afzuigkap tegen de wand

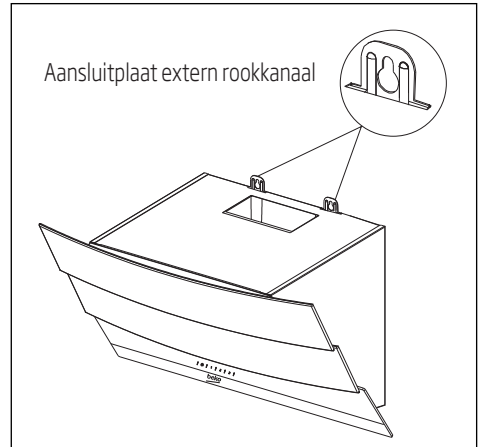
Om de afzuigkap tegen de wand te installeren, schroeft u de schroeven van de ophangplaten op de motorbehuizing los en trekt u de platen naar boven. Draai daarna de schroeven van de ophangplaten vast. **(Afbeelding 3a).**



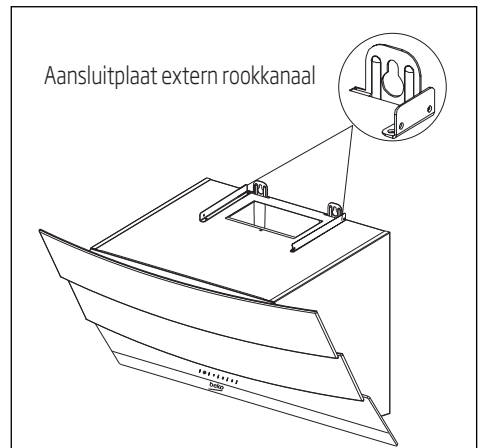
**(Afbeelding 3a - 60)**



**(Afbeelding 3a - 90)**



**(Afbeelding 3b - 60)**

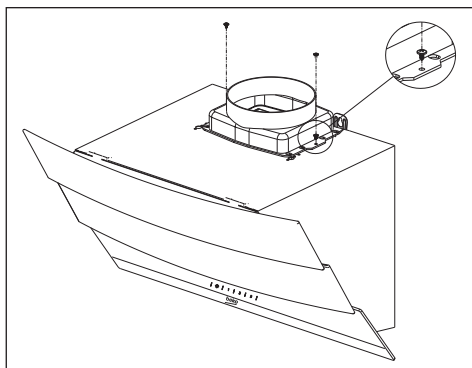


**(Afbeelding 3b - 90)**

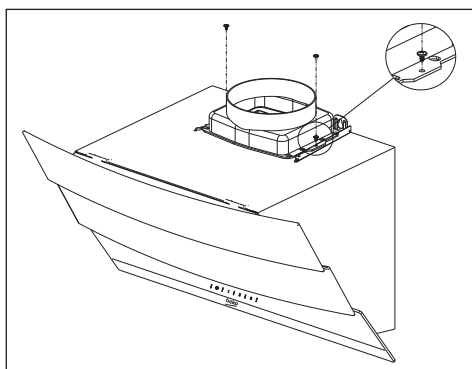
Bevestig het kunststof aansluitstuk voor rookkanaal met  $\varnothing$  150 mm met meegeleverde schroef 3,5 x 9,5 op de bovenkant van de behuizing **(Afbeelding 4).**

Als u een rookkanaal gebruikt met  $\varnothing$  120 mm plaatst u het aansluitstuk met  $\varnothing$  120 mm.

### 3 Uw apparaat installeren



(Afbeelding 4 - 60)

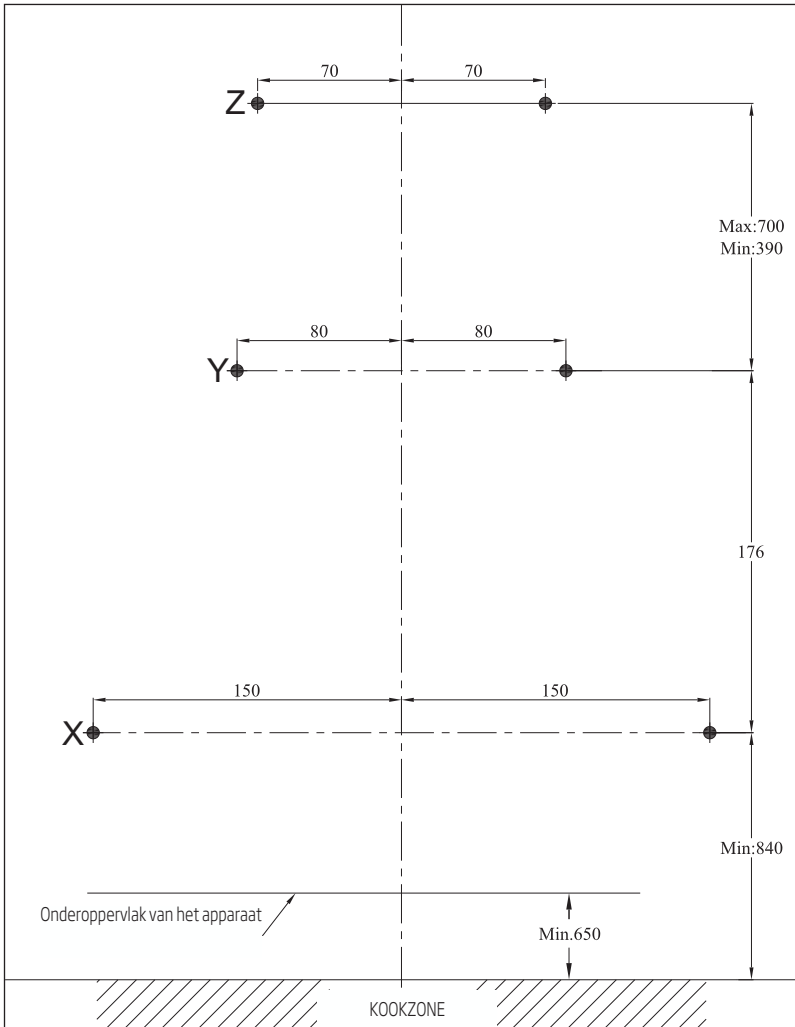
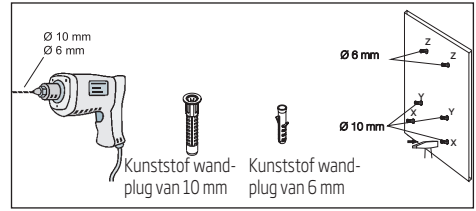


(Afbeelding 4 - 90)

## 3 Uw apparaat installeren

### 3.2.1 Boren van gaten voor ophanging

Plaats het installatiesjabloon op de plek van installatie van de afzuigkap. Boor de punten gemarkeerd met (X,Y) (**Afbeelding 5**) met gebruik van een  $\varnothing 10$  mm boor en de punten gemarkeerd met (Z) (**Afbeelding 5**) met gebruik van een  $\varnothing 6$  mm boor.



(Afbeelding 5)

## 3 Uw apparaat installeren

### 3.2.2 De wandpluggen inslaan met hamer

Tik met een hamer de wandpluggen met  $\varnothing$  10 mm (X,Y) in de geboorde gaten voor de ophangschroeven. Tik met een hamer 2 wandpluggen met  $\varnothing$  6 mm (Z) in de geboorde gaten met  $\varnothing$  6 mm voor de aansluitplaat van het externe rookkanaal. **(Afbeelding 5)**

### 3.2.3 Plaatsen van de ophangschroeven

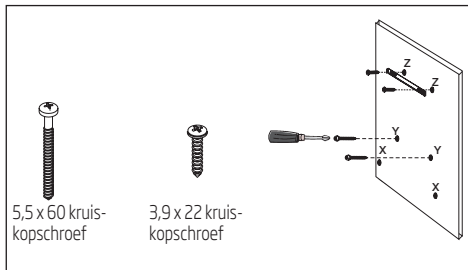
Draai de ophangschroeven van 5,5 x 60 in de wandpluggen met  $\varnothing$  10 mm (Y) die u met een hamer in de wand heeft getikt. Er moet een afstand van 5 mm zijn tussen de schroefkop en de wand. **(Afbeelding 6)**

Sluit de aansluitplaat voor het interne rookkanaal met de wandpluggen van 6 mm (Z) aan op de wand met schroeven van 3,9 x 22.

**(Afbeelding 6)**

### 3.2 De afzuigkap ophangen aan de wand

- Hang de afzuigkap op aan de schroeven die u in de Y-gaten heeft geschroefd.
- Open het afzuigvenster aan de zijkant van de afzuigkap door dit naar u toe te trekken. Installeer de schroeven van 5,5 x 60 in de X-gaten die zich binnenin bevinden om het apparaat te vergrendelen.

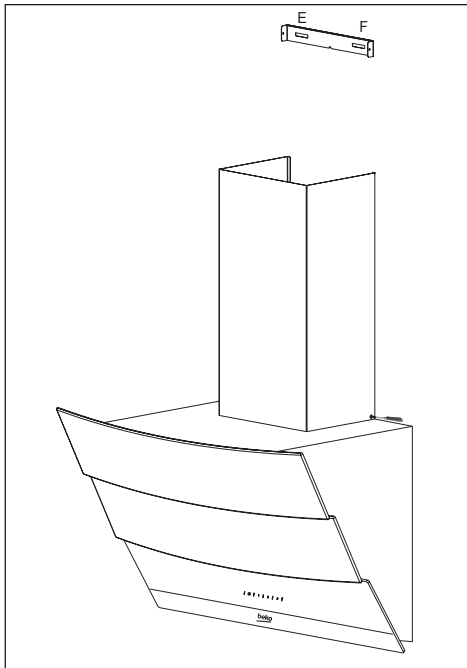


## 3 Uw apparaat installeren

### 3.3 Installatie van rookkanaal van de afzuigkap

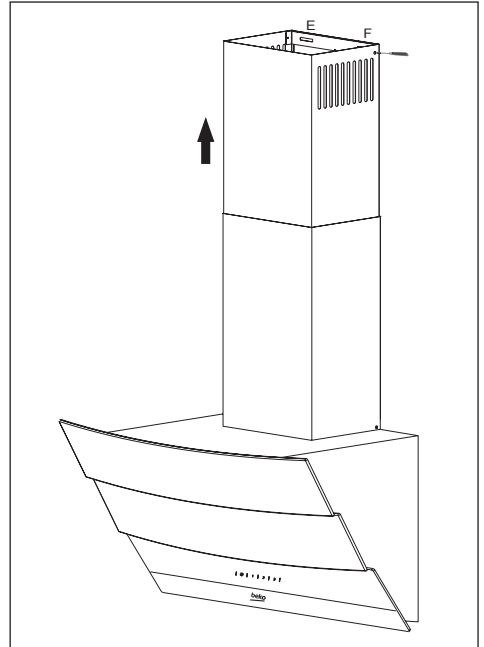
Sluit het product af van de stroom voordat gestart wordt met de installatie van het rookkanaal. Bevestig de bladmetalen rookkanaalonderdelen om de behuizing.

Schroef het externe rookkanaal op de aansluitplaten van het externe rookkanaal die zich op de motorbehuizing bevinden. **(Afbeelding 3b / 7)**



(Afbeelding 7)

Trek het interne rookkanaal uit zijn buitenranden en schroef hem op de aansluitplaten van het rookkanaal dat op de wand is bevestigd **(Afbeelding 8)**.



(Afbeelding 8)



## 3 Uw apparaat installeren

### 3.4.1 Gebruik met aansluiting op rookkanaal

- De damp wordt verwijderd via het rookkanaal dat vastzit aan het aansluitstuk op de afzuigkap.
- De diameter van het rookkanaal moet gelijk zijn aan de diameter van de aansluitring. Om de lucht eenvoudig in horizontale opstelling uit de ruimte te verwijderen moet de pijp enigszins naar boven hellen (circa 10°).

### 3.4.2 Gebruik zonder aansluiting op rookkanaal

- De lucht wordt door het koolstoffilter gefilterd en terug in de ruimte gebracht. Het koolstoffilter wordt gebruikt als er zich geen rookkanaal in huis bevindt.
- Als de afzuigkap wordt gebruikt zonder aansluiting op een rookkanaal dienen de omstellers in het aansluitstuk voor het rookkanaal verwijderd te worden.
- Verwijder het aluminium filter. Om het koolstoffilter te installeren centreert u deze op het kunststof gedeelte aan beide zijden van de ventilatorbehuizing en zet het vast met de klemmen. Zet het filter vast door de klemmen naar links of rechts te draaien.
- Plaats het aluminium filter.

### 3.5 Aansluiting op rookkanaal:

Plaats het aansluitstuk dat meegeleverd is met de afzuigkap in het ventilatiegat dat zich bovenaan de afzuigkap bevindt. Zorg voor een pijp met een diameter van 120/150 mm. Sluit een stuk van de pijp aan op het aansluitstuk en de andere kant op het rookkanaal.

Zorg dat deze twee aansluitingen goed vast zitten zodat ze niet los kunnen komen als de afzuigkap op maximaal vermogen werkt. Controleer dat de flappen in het rookkanaal functioneren als u deze met de klem vastmaakt. Bevestig de aansluitpijp van het rookkanaal op het aansluitstuk.

Als u de aansluitpijp van het rookkanaal in het aansluitstuk bevestigt, zal er geen luchtafzuiging plaatsvinden, omdat de flappen die de terugcirculerende lucht voorkomen gesloten blijven.

Het wordt niet aangeraden aansluitingen te maken op rookkanalen die zijn aangesloten op kachels of uitlaatschachten. Sluit niet aan op dergelijke rookkanalen. De pijp aansluiting moet zo kort mogelijk zijn en zo min mogelijk ellebogen hebben.

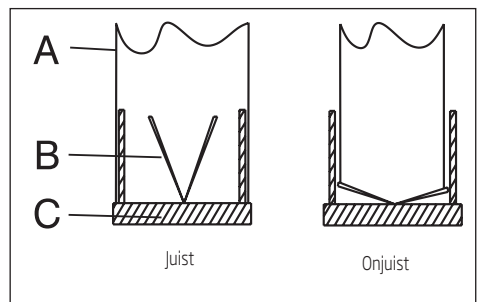
A: Uitlaatpijp rookkanaal

B: Flappen die terugcirculerende lucht voorkomen

C: Kunststof rookkanaal

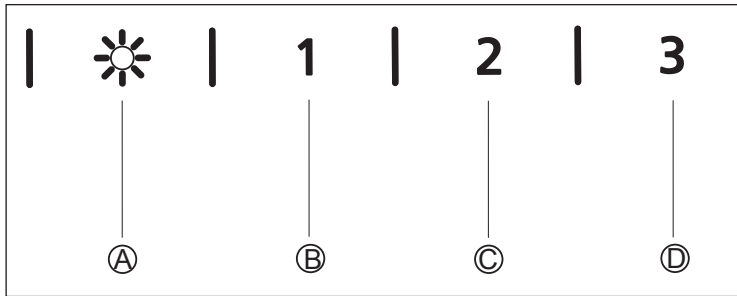
### 3.5.1 Preventiesysteem terugcirculerende lucht (N-RV)

Als de afzuigkap in werking is, zijn de flappen gesloten om te voorkomen dat mogelijke geuren en stof van buiten de ruimte inkomen.



(Afbeelding 9)

## 4 Bedienen van uw apparaat



(Afbeelding 9)

- (A): Aan/uit-knop verlichting
- (B): Knop voor 1e stand
- (C): Knop voor 2e stand
- (D): Knop voor 3e stand

### 4.1 Digitale elektronische bediening met 3 standen

**(A) Aan/uit-knop verlichting:** U kunt de kookruimte verlichten door deze knop in te drukken.

**(B) toets:** U kunt uw afzuigkap op stand 1 laten werken door op deze knop te drukken.

Als u deze toets nogmaals indrukt om het apparaat uit te schakelen, verdwijnt de vermogensindicator op het display.

**(C) toets:** U kunt uw afzuigkap op stand 2 laten werken door op deze knop te drukken.

Als u deze toets nogmaals indrukt om het apparaat uit te schakelen, verdwijnt de vermogensindicator op het display.

**(D) toets:** U kunt uw afzuigkap op stand 3 laten werken door op deze knop te drukken.

Als u deze toets nogmaals indrukt om het apparaat uit te schakelen, verdwijnt de vermogensindicator op het display.

### Auto-stop binnen 15 min.:

Dit apparaat is uitgerust met een auto-stopfunctie die het mogelijk maakt het apparaat de ruimte gedurende extra tijd te ventileren om ongewenste geuren en dampen in de ruimte na het koken te verwijderen. Het apparaat stopt automatisch na een bepaalde tijdsduur.

Om de auto-stopfunctie te activeren, drukt u minstens 2 seconden op een van de vermogenstoetsen (B, C, D) op het bedieningspaneel. Er worden 15 minuten geactiveerd op een tijdsklok.

Als u dezelfde vermogenstoets indrukt terwijl de auto-stopfunctie actief is, wordt de functie uitgeschakeld en stopt het apparaat.

Als u een andere vermogenstoets selecteert, wordt deze functie uitgeschakeld.

Als u uw apparaat automatisch wilt laten stoppen, moet u de auto-stopfunctie opnieuw activeren.

### Periodieke reiniging van metalen filters:

Filters moeten afhankelijk van het gebruik na ongeveer iedere 60 werksuren of 4 weken worden gereinigd.

## 4 Bedienen van uw apparaat

### 4.2 Energie-efficiënt gebruik:

- Als de afzuigkap in werking is, past u het vermogen aan op de intensiteit van de geur en damp om onnodig verbruik te voorkomen.
- Gebruik laag vermogen onder normale omstandigheden (1-2) en hoog vermogen (3) als geuren en dampen intensiever zijn.
- De verlichting op de afzuigkap is bedoeld voor het verlichten van de kookzone.

Deze te gebruiken om de omgeving/keuken te verlichten heeft onnodig verbruik en ongeschikte verlichting tot gevolg.

### 4.3 Bediening van de afzuigkap:

- De afzuigkap is uitgerust met een motor met verschillende vermogensinstellingen.
- We adviseren u om voor betere resultaten laag vermogen onder normale omstandigheden (1-2) te gebruiken en hoog vermogen (3) als geuren en dampen intensiever zijn.
- U kunt de afzuigkap starten door de gewenste vermogensstand (B, C, D) in te drukken.
- U kunt de kookruimte verlichten door de verlichtingsknop in te drukken. (A)

## 5 Reinigen en onderhoud

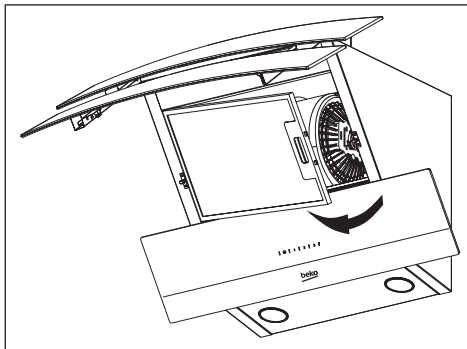
Schakel het apparaat uit, draai de hoofdschakelaar uit of maak de zekeringen van de afzuigkap los voordat u deze reinigt of onderhoudt.

### 5.1 Aluminium filter

Dit filter vangt vetdeeltjes uit de lucht op. U wordt aangeraden uw filter onder normale gebruiksomstandigheden iedere maand te reinigen. Verwijder voor dit proces eerst de aluminium filters. Was de filters met vloeibaar wasmiddel, spoel ze af met water en plaats ze terug na ze gedroogd te hebben. Aluminium filters kunnen na het wassen verkleuren; dit is normaal en u hoeft uw filter niet te vervangen.

#### 5.1.1 Verwijderen van de aluminium filters

1. Duw de vergrendeling van het aluminium filter naar voren.
2. Beweeg het dan wat naar beneden en trek het naar voren. Anders kunt u het filter buigen. (Afbeelding 10) Nadat het aluminium filter is gewassen en gedroogd, plaatst u het filter terug in zijn vergrendeling door bovenstaande stappen in omgekeerde volgorde uit te voeren.



(Afbeelding 10)



U kunt de aluminium filters ook in de vaatwasmachine wassen.

### Koolstoffilter (bij gebruik zonder rookkanaal)

Dit filter verwijdert de kookgeuren. Als het niet mogelijk is een rookkanaal te gebruiken, zorgt dit voor het reinigen van de lucht die in de keuken circuleert. Het koolstoffilter van uw apparaat verzaagt met de tijd, afhankelijk van het gebruik, kookstijl en de regelmaat waarin de aluminium filters worden gereinigd.



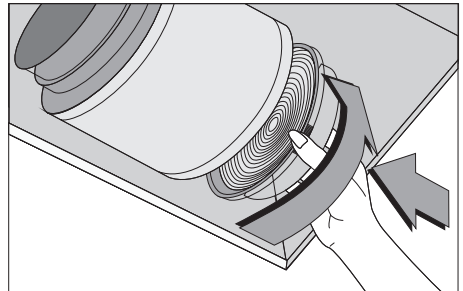
#### Waarschuwing!

Koolstoffilters mogen nooit gewassen worden.

**U kunt koolstoffilters verkrijgen bij erkende serviceagenten van Beko.**

#### 5.2.1 Vervangen van het koolstoffilter

- Verwijder de aluminium filters. (Afbeelding 10)
- Draai de klemmen tegen wijzerzin en laat het filter vrijkomen om het koolstoffilter te verwijderen. (Afbeelding 11)
- Installeer het nieuwe koolstoffilter.
- Plaats de aluminium filters.



(Afbeelding 11)

## 5 Reinigen en onderhoud

Antigeurenfilters bevatten houtskool (actieve koolstof).

Ze moeten ongeveer iedere 6 maanden vervangen worden.

Ongeacht u een koolstoffilter gebruikt of niet, aluminium filters moeten altijd worden geïnstalleerd.

Laat uw apparaat niet werken zonder de aluminium filters. Het gebruik met koolstoffilters vermindert de afzuigprestatie van het apparaat.

### 5.3 Reiniging

Verzuim vooral niet uw afzuigkap te reinigen meteen nadat u heeft gebakken.

Gebruik een zachte doek met vloeibaar schoonmaakmiddel om de buitenkant van uw afzuigkap schoon te maken.

Gebruik nooit schurende of krassende materialen voor de reiniging.

U kunt in de winkel verkrijgbare vetverwijderaars enz. gebruiken door de waarschuwingen op het product op te volgen. Om de geborstelde stalen behuizing niet te krassen, moet u in dezelfde richting als de borstelstreek vegen.

Gebruik om de oppervlaktekwaliteit van uw product te onderhouden geen schoonmaakmiddelen die zoutzuur, bleek of schurende middelen bevatten. Gebruik een in zeepwater gedrenkte doek of speciale schoonmaakspray voor roestvrij stalen oppervlakken. Verwijder de beschermfolie van het apparaat.



#### Waarschuwing!

U kunt brand veroorzaken als u de instructies van reiniging en vervanging van filters in uw afzuigkap niet opvolgt.

Als u het apparaat moet verplaatsen:

- Bewaar de originele verpakking van het apparaat. Transporteer het apparaat in zijn originele verpakking en volg de transportmarkeringen op de originele verpakking.

#### Als u de originele verpakking niet meer heeft:

- Plaats geen voorwerpen op de afzuigkap.
- Bescherm het buitenoppervlak tegen stoten.
- Verpak het apparaat dusdanig dat het niet kan beschadigen tijdens het transport.

### 5.4 Vervangen van de lampen

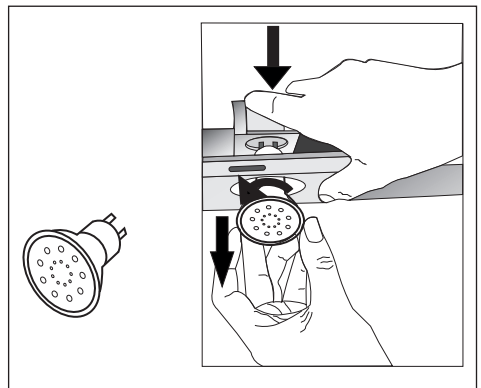
Sluit de afzuigkap af van de stroomtoevoer.

Dit apparaat is uitgerust met ledlampen voor een totaal vermogen van 3 W.

Om de ledlampen te vervangen, drukt u de lamp van het achtergedeelte van de lamphouder naar beneden om de lamp vrij te geven.

Draai hem dan 1/4 draai tegen wijzerzin en verwijder hem.

Voer bovenstaande stappen in omgekeerde volgorde uit om de nieuwe lampen te bevestigen.



U kunt lampen verkrijgen bij de erkende serviceagenten.

# Prosím, čtěte nejprve tento návod.

Vážený zákazníku,

Děkujeme za výběr produktu Beko. Doufáme, že s tímto produktem, který byl vyroben s využitím vysoce kvalitní a moderní technologie, dosáhnete těch nejlepších výsledků. Proto si před použitím produktu pečlivě přečtěte celý návod k použití a jakékoli doplňující dokumenty a uchovejte je pro budoucí použití. Pokud produkt předáte další osobě, rovněž jí předejte návod k použití. Dodržte veškerá varování a informace obsažené v návodu k použití.

Nezapomeňte, že tento návod se může vztahovat i k několika jiným modelům. Rozdíly mezi modely jsou v návodu výslovně uvedeny.

## Vysvětlení symbolů

V celém návodu k použití jsou použity následující symboly:



Důležité informace o užitečných tipách k použití.



Varování na nebezpečné situace vůči životu a majetku.



Varování na zásah elektrickým proudem.



Tento produkt byl vyroben pomocí nejnovější technologie, v podmínkách šetrných k životnímu prostředí.

Splňuje směrnici WEEE.



Neobsahuje PCB"

# 1 Důležité bezpečnostní a ekologické pokyny

Tento oddíl obsahuje bezpečnostní pokyny, které vám pomohou předejít riziku zranění a poškození. Veškeré záruky přestávají platit, jakmile nedodržíte tyto pokyny.

## 1.1 Obecná bezpečnost

- Instalaci a opravy vždy svěřte pracovníkům autorizovaného servisu. Výrobce nenese žádnou odpovědnost za škody vyplývající z činností provedených neoprávněnými osobami.
- Toto zařízení není určeno pro použití osobami (včetně dětí) s omezenými fyzickými, vjemovými nebo mentálními schopnostmi, nebo osobami, které nemají dostatek zkušeností, ani znalostí. Děti musí být pod dozorem, aby se zajistilo, že si se spotřebičem nebudou hrát.

### 1.1.1 Elektrická bezpečnost

- Během instalace, údržby, čištění a opravy vždy odpojte výrobek od sítě.

- Pokud je poškozen napájecí kabel, musí jej vyměnit výrobce, poprodejní servis nebo podobně kvalifikovaná osoba (nejlépe elektrikář) nebo osoba určená dovozcem, aby se eliminovala možná rizika.
- Provozní napětí je 220 až 240 voltů.
- Pokud dojde k poruše zařízení, nemělo by se používat, dokud je neopraví pracovník autorizovaného servisu. Existuje zde nebezpečí zásahu elektrickým proudem!
- Neved'te napájecí kabel v blízkosti varné desky. Napájecí kabel by se mohl vznítit, jelikož se snadno roztaví.
- Nikdy nezapojujte digestoř před dokončením instalace.
- Chcete-li dosáhnout optimálního výsledku, nesmí být vnější vývod delší než 4 m. Nesmí obsahovat více než 2 kolmé (90°) úhly a jeho průměr musí být nejméně  $\varnothing 120$  mm.
- Spotřebič odpojte před jakoukoli prací na vnitřních součástkách spotřebiče.

# 1 Důležité bezpečnostní a ekologické pokyny

## 1.1.2 Bezpečnost výrobku

- Pro připojení odvodu digestoře můžete použít trubici o průměru 120 nebo 150 mm.
- Nepoužívejte připojení k odvodu využívaná sporáky, odvětrací šachty nebo odvody se stoupajícími plameny. Dodržujte pravidla stanovená úřady pro odvod odpadního vzduchu.
- Vzdálenost mezi spodní plochou digestoře a horní plochou sporáku/trouby by neměla být menší než 65 cm.
- Nepoužívejte digestoř bez hliníkových filtrů a nedemontujte filtry za provozu.
- Nikdy se nedotýkejte světel digestoře po dlouhodobém použití. Horké žárovky vás mohou popálit.
- Vyvarujte se používání prudkých plamenů pod výrobkem. Jinak by se mohly částice na olejovém filtru vznítit a způsobit požár.
- Zapněte digestoř poté, co na sporák postavíte pánve či hrnce. Jinak by stoupající teplota mohla poškodit některé součásti vašeho výrobku.
- Digestoř vypněte, než pánve nebo hrnce odeberete.
- Nestavte pod digestoř hořlavé materiály.
- Olej se může vznítit během smažení. Dávejte pozor na používání hadříků a závěsů.
- Při smažení nikdy nenechávejte sporák bez dozoru; jinak může dojít ke vznícení horkého oleje.
- Abyste předešli riziku požáru, čistěte digestoř ve stanovených intervalech.
- Dávejte velký pozor a používejte rukavice při čištění digestoře.
- Doporučujeme vám zapnout spotřebič pár minut před začátkem vaření, čímž zvýšíte sací výkon. Jakmile začne stoupat pára, budete již mít k dispozici stálý a stabilní sací výkon.
- Digestoř nechte v provozu 15 minut po konci vaření nebo pečení, abyste odstranili zápach z vaření z kuchyně.
- Když digestoř používáte, zejména společně s plynovými sporáky, zkontrolujte, zda je v místnosti zajištěno odvětrávání.
- Dávejte pozor, abyste nepřipojili spotřebič k odvodům používaným neelektrickými zařízeními. (Např.: odvod od topení).



# 1 Důležité bezpečnostní a ekologické pokyny

- Když se ve stejné místnosti společně s digestoří používá nějaké neelektrické zařízení, musí být záporný tlak v místnosti maximálně 0,4 mbar, aby digestoř nevtahovala do místnosti odpadní plyny druhého zařízení.

## 1.1.3 Bezpečnost dětí

- Obalové materiály představují nebezpečí pro děti. Obalové materiály uchovejte ho mimo dosah dětí.
- Elektrické spotřebiče představují nebezpečí pro děti. Udržujte děti mimo dosah výrobku. Děti si nesmí se spotřebičem hrát.

## 1.2 Zamýšlené použití

- Tento spotřebič je určen jen pro domácí použití. Není vhodný pro komerční použití a nesmí se používat jinak, než je stanovené zamýšlené použití.
- Výrobce nenese odpovědnost za žádné škody plynoucí z nesprávného použití či manipulace.
- Životnost vašeho spotřebiče činí 10 let. Jde o období nutné pro dostupnost náhradních dílů nutných pro provoz výrobku.

## 1.3 Shoda s nařízením WEEE a likvidace produktů



Tento výrobek neobsahuje škodlivé a zakázané materiály popsané ve „Směrnici o omezení používání určitých nebezpečných látek v odpadních elektrických a elektronických zařízeních“ (WEEE), již vydalo T.R. Ministerstvo životního prostředí a urbanizace.

Splňuje směrnici WEEE.

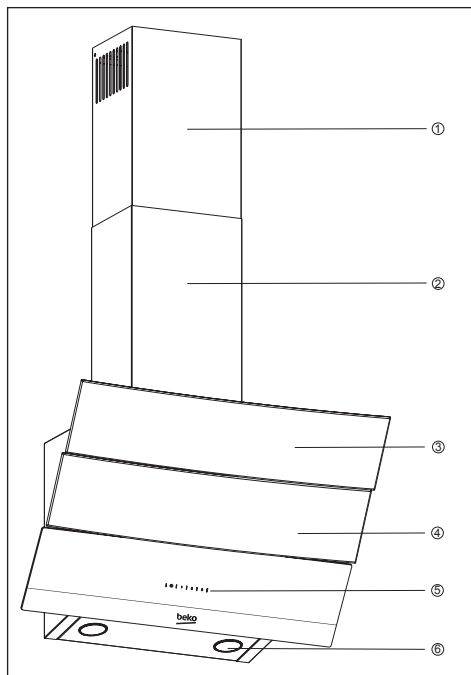
Tento výrobek byl vyroben z kvalitních dílů a materiálů, které lze použít opakovaně a recyklovat. Nevyhazujte výrobek s běžným domovním odpadem na konci jeho životnosti. Odneste jej na sběrné místo k recyklaci elektrických a elektronických zařízení. Na místním úřadě se dozvíte informace o nejbližším sběrném místě. Pomáhejte ochráně životního prostředí a přírodních zdrojů pomocí recyklace použitých výrobků.

## 1.4 Informace o balení



Balení produktu je vyrobeno z recyklovatelných materiálů, v souladu s naší národní legislativou. Nelikvidujte odpad z obalových materiálů s domovním či jiným odpadem, dopravujte jej na sběrná místa vyznačená místními úřady.

## 2 Technické parametry spotřebiče



1. Vnitřní odvod
2. Vnější odvod
3. Skleněný kryt
4. Filtr (pod skleněným krytem)
5. Ovládací panel
6. Osvětlení

(Obrázek 1)

	HCA 92640 BH	HCA 92640 WH	HCA 62640 W	HCA 62640 WH
Šířka	896 mm	896 mm	596 mm	596 mm
Hloubka	393 mm	393 mm	386 mm	386 mm
Výška	750 mm / 1130 mm	750 mm / 1130 mm	750 mm / 1080 mm	750 mm / 1080 mm
Napájecí napětí	220 - 240 V, 50 Hz	220 - 240 V, 50 Hz	220 - 240 V, 50 Hz	220 - 240 V, 50 Hz
Ovládání	Se 3 úrovněmi	Se 3 úrovněmi	Se 3 úrovněmi	Se 3 úrovněmi
Výkon světla	2 x 3 W	2 x 3 W	2 x 3 W	2 x 3 W
Odvodní trubice	120 / 150 mm	120 / 150 mm	120 / 150 mm	120 / 150 mm
Výkon	577 m <sup>3</sup> /h	577 m <sup>3</sup> /h	537 m <sup>3</sup> /h	537 m <sup>3</sup> /h
Výkon motoru	1 x 210 W	1 x 210 W	1 x 210 W	1 x 210 W
Celkový výkon	216 W	216 W	216 W	216 W
Čistá hmotnost	13 kg	13 kg	10,4 kg	10,4 kg
Barva	Černá	Bílá	Bílá	Bílá

Hodnoty uvedené na štítku výrobku nebo v dokumentaci, která jej doprovází, jsou získány v laboratorních podmínkách v souladu s příslušnými normami. Tyto hodnoty se mohou lišit podle podmínek používání.

## 2 Technické parametry spotřebiče

	HCA 62640 B	HCA 62640 BH	HCA 62540 B	HCA 92540 B
Šířka	596 mm	596 mm	596 mm	896 mm
Hloubka	386 mm	386 mm	386 mm	393 mm
Výška	750 mm /1080 mm	750 mm /1080 mm	750 mm /1080 mm	750 mm /1130 mm
Napájecí napětí	220 - 240 V, 50 Hz	220 - 240 V, 50 Hz	220 - 240 V, 50 Hz	220 - 240 V, 50 Hz
Ovládání	Se 3 úrovněmi	Se 3 úrovněmi	Se 3 úrovněmi	Se 3 úrovněmi
Výkon světla	2 x 3 W	2 x 3 W	2 x 3 W	2 x 3 W
Odvodní trubice	120 / 150 mm	120 / 150 mm	120 / 150 mm	120 / 150 mm
Výkon	537 m <sup>3</sup> /h	537 m <sup>3</sup> /h	566 m <sup>3</sup> /h	593 m <sup>3</sup> /h
Výkon motoru	1 x 210 W	1 x 210 W	1 x 210 W	1 x 210 W
Celkový výkon	216 W	216 W	216 W	216 W
Čistá hmotnost	10,4 kg	10,4 kg	10,4 kg	13 kg
Barva	Černá	Černá	Černá	Černá

	HCA 62641 BH	HCA 62641 WH	HCA 92641 BH	HCA 92641 WH
Šířka	596 mm	596 mm	896 mm	896 mm
Hloubka	386 mm	386 mm	393 mm	393 mm
Výška	750 mm /1080 mm	750 mm /1080 mm	750 mm /1130 mm	750 mm /1130 mm
Napájecí napětí	220 - 240 V, 50 Hz	220 - 240 V, 50 Hz	220 - 240 V, 50 Hz	220 - 240 V, 50 Hz
Ovládání	Se 3 úrovněmi	Se 3 úrovněmi	Se 3 úrovněmi	Se 3 úrovněmi
Výkon světla	2 x 3 W	2 x 3 W	2 x 3 W	2 x 3 W
Odvodní trubice	120 / 150 mm	120 / 150 mm	120 / 150 mm	120 / 150 mm
Výkon	638 m <sup>3</sup> /h	638 m <sup>3</sup> /h	648 m <sup>3</sup> /h	648 m <sup>3</sup> /h
Výkon motoru	1 x 210 W	1 x 210 W	1 x 210 W	1 x 210 W
Celkový výkon	216 W	216 W	216 W	216 W
Čistá hmotnost	10,4 kg	10,4 kg	13 kg	13 kg
Barva	Černá	Bílá	Černá	Bílá

## 3 Instalace spotřebiče

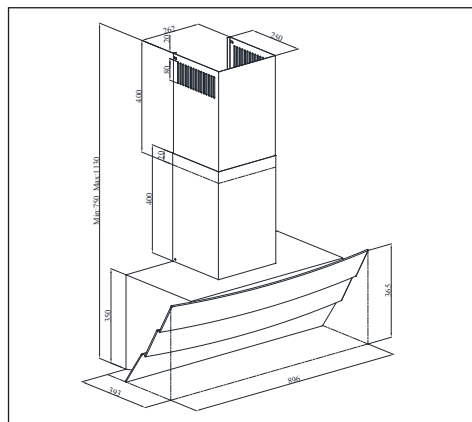
Instalaci digestoře svěřte nejbližšímu **Autorizovanému servisu.**

\*Za přípravu místa a elektroinstalaci pro výrobek nese odpovědnost zákazník.

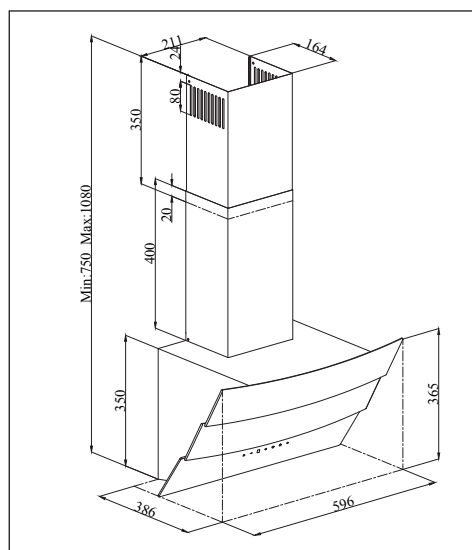


### Pozor!

Sejměte ochranný film (pokud existuje) z digestoře a odvodu po instalaci.



(Obr. 2)



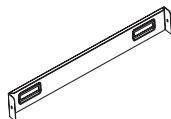
Vzdálenost mezi spodní plochou digestoře a horní plochou varné desky by neměla být menší než **65 cm.**

Elektroinstalaci pověřte kvalifikovaného elektrikáře.

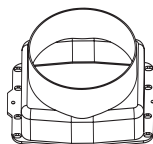
Spotřebič nainstalujte tak, abyste po instalaci snadno dosáhli na připojení napájení (zástrčka, zásuvka).

Rozměry jsou uvedeny v mm.

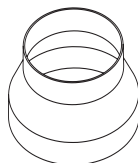
### 3.1 Postup instalace



1 x deska pro připojení odvodu



1 x Ø150 mm plastová trubice



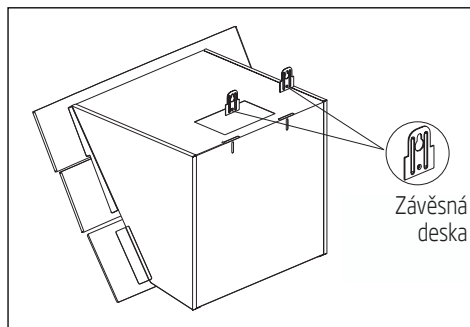
1 x Ø120/150 mm adaptér na plastový odvod

## 3 Instalace spotřebiče

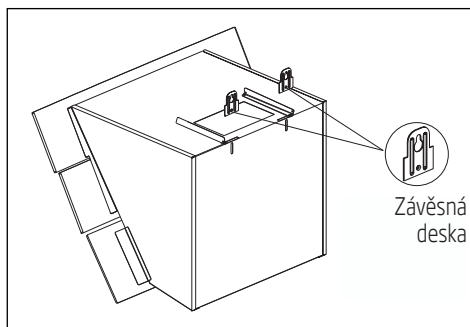
Informace nezbytné pro přípravu místa instalace digestoře jsou uvedeny níže.

### 3.2 Montáž digestoře na stěnu

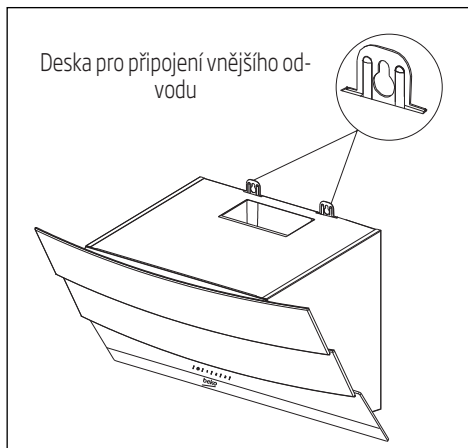
Chcete-li nainstalovat digestoř na stěnu, povolte šrouby závěsných desek na krytu motoru a přitáhněte desky nahoru. Pak utáhněte šrouby závěsných desek. **(Obrázek 3a).**



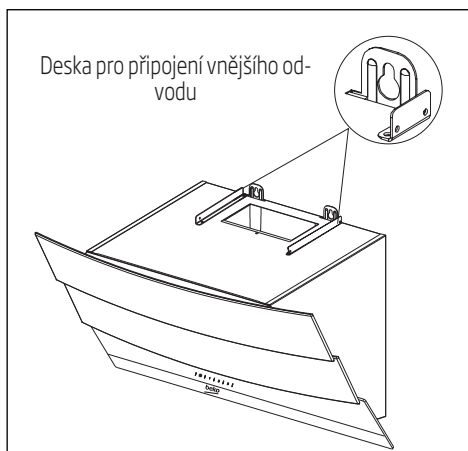
**(Obrázek 3a - 60)**



**(Obrázek 3a - 90)**



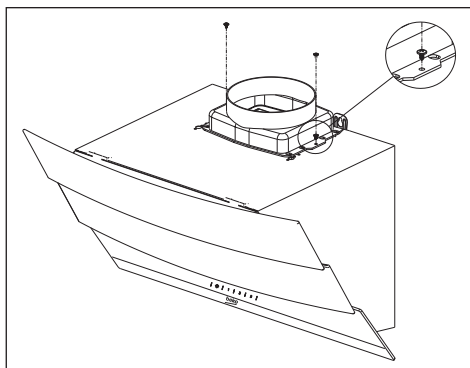
**(Obrázek 3b - 60)**



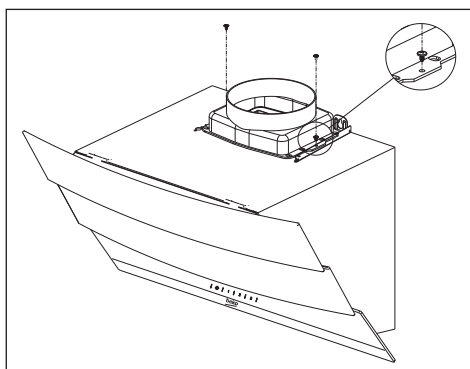
**(Obrázek 3b - 90)**

Upevněte  $\varnothing 150$  mm adaptér na plastový odvod na horní stranu trupu pomocí šroubu 3,5x9,5, který je přibaleno do příslušenství k montáži **(obrázek 4)**. Pokud použijete  $\varnothing 120$  mm odvodní trubici, nainstalujte na ni adaptér  $\varnothing 120$  mm.

### 3 Instalace spotřebiče



(Obrázek 4 - 60)

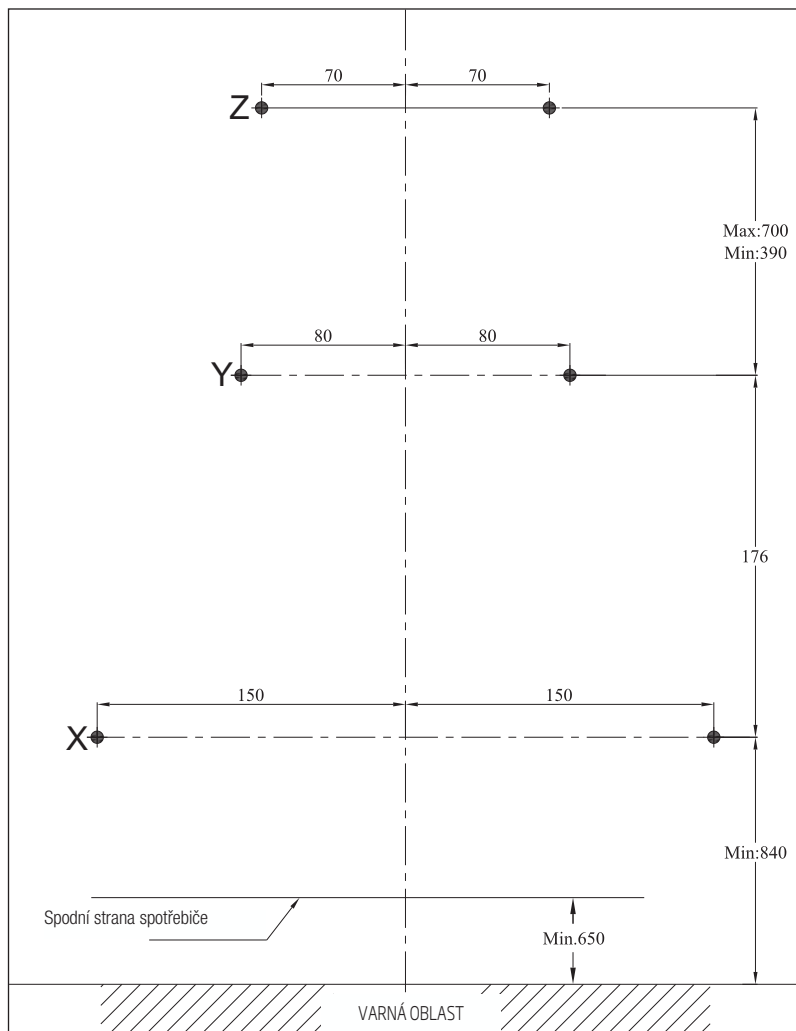
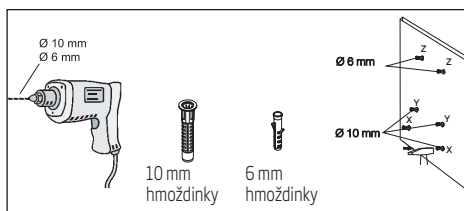


(Obrázek 4 - 90)

## 3 Instalace spotřebiče

### 3.2.1 Vrtání otvorů pro zavěšení

Upevněte šablonu pro montáž na místo pro instalaci digestoře. Vyrvejte body označené (X,Y) (**obrázek 5**) pomocí vrtáku o  $\varnothing$  10 mm a body označené (Z) (**obrázek 5**) vrtákem o  $\varnothing$  6 mm.



(Obrázek 5)

## 3 Instalace spotřebiče

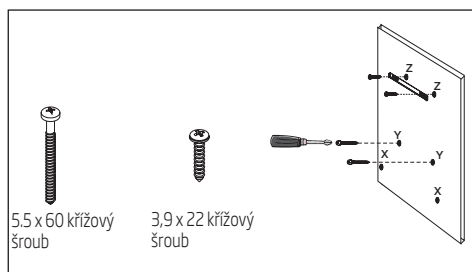
### 3.2.2 Zatloukání hmoždinek

Zasuňte hmoždinky  $\varnothing 10$  mm (X,Y) do otvorů vyvrtaných pro šrouby na zavěšení. Zasuňte hmoždinky  $2 \times \varnothing 6$  mm (Z) do otvorů vyvrtaných vrtákem  $\varnothing 6$  mm pro desku pro připojení vnějšího odvodu. **(Obrázek 5)**

### 3.2.3 Montáž šroubů pro zavěšení

Nainstalujte šrouby 5,5x60 do hmoždinek  $\varnothing 10$  mm (Y), které jste zasunuli do otvoru ve stěně. Mezi hlavou šroubu a stěnou musí být mezera 5 mm. **(Obrázek 6)**

Připojte vnitřní desku pro připojení odvodu ke hmoždinkám 6 mm (Z) na stěně pomocí šroubů  $\varnothing 3,9 \times 22$ . **(Obrázek 6)**



**(Obrázek 6)**

### 3.2.4 Montáž digestoře na stěnu

- Zavěste digestoř na šrouby, které jste umístili do otvorů Y.
- Otevřete boční sací kryt na digestoři tak, že jej stáhnete k sobě. Nainstalujte šrouby 5,5x60 do otvorů X umístěných uvnitř, abyste spotřebič zajistili.

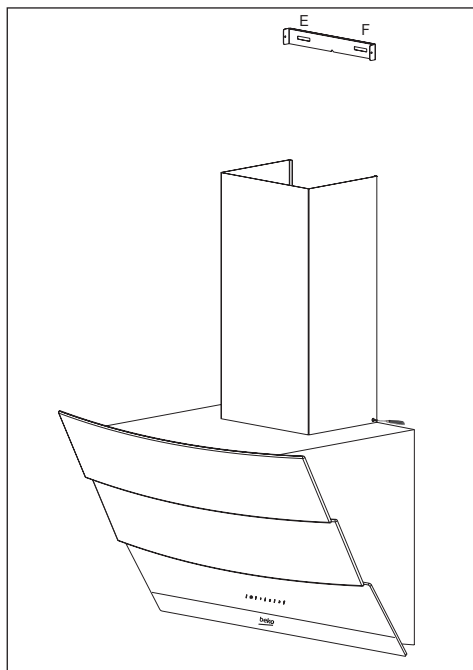


## 3 Instalace spotřebiče

### 3.3 Montáž odvodu digestoře

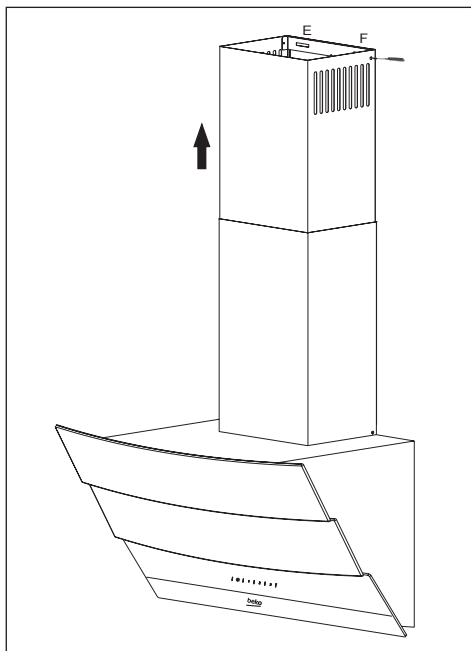
Odpojte výrobek od napájení, než zahájíte instalaci odvodu. Upevněte kovové součásti odvodu kolem trupu výrobku.

Našroubujte vnější odvod k deskám pro připojení vnějšího odvodu na krytu motoru. (Obr. 3b / 7)



(Obrázek 7)

Roztáhněte a našroubujte vnitřní odvod z vnějších okrajů k desce pro připojení odvodu, kterou jste upevnili na stěnu (Obrázek 8).



(Obrázek 8)

## 3 Instalace spotřebiče

### 3.4.1 Používání s připojením odvodu

- Výpary se odsávají odvodní trubicí, která je připevněna k připojovací hlavici na digestoři.
- Průměr trubice by se měl rovnat průměru připojovacího kroužku. Chcete-li snadno odvádět vzduch z místnosti ve vodorovných vedeních, měla by být trubice mírně vedena vzhůru (cca 10°).

### 3.4.2 Používání bez připojení odvodu

- Vzduch je filtrován uhlíkovým filtrem a vrácen zpět do místnosti. Uhlíkový filtr slouží v případě, že v domě není možnost odvodu.
- Pokud se digestoř používá bez připojení k odvodu, vyjměte odvaděče uvnitř adaptéru pro odvod.
- Demontujte hliníkový filtr. Chcete-li nainstalovat uhlíkový filtr, vycentrujte uhlíkový filtr na plastovou součást po obou stranách trupu ventilátoru a zajistěte jej na zarážkách. Zajistěte filtr otočným zarážek doprava nebo doleva.
- Namontujte hliníkový filtr.

### 3.5 Připojení odvodu:

Umístěte dodaný adaptér společně s digestoří do otvoru pro ventilaci umístěného na horní straně digestoře. Připravte si trubku s průměrem 120/150 mm. Připojte jeden konec trubky k adaptéru a druhý k odvodu.

Zkontrolujte, zda jsou obě připojení dokonale pevná,

nesmějí povolit, jakmile digestoř spustíte na max. rychlost. Zkontrolujte, zda jsou klapky v odvodu funkční, když je utáhnete svorkou. Umístěte připojení odvodní trubky na adaptér. Pokud upevníte trubku pro připojení odvodu k vnitřku adaptéru, k odsávání vzduchu nedojde, jelikož klapky, které brání zpětnému proudění vzduchu, zůstanou zavřené.

Nedoporučujeme provádět připojení k odvodům připojeným ke sporákům nebo odpadním šachtám. Nepřipojujte spotřebič k těmto odvodům. Připojení trubek musí být co nejkratší a mít co nejméně záhybů.

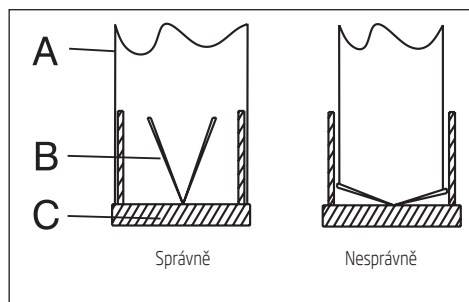
A: Odvodní trubice

B: Klapky bránící zpětnému proudění

C: Plastový odvod

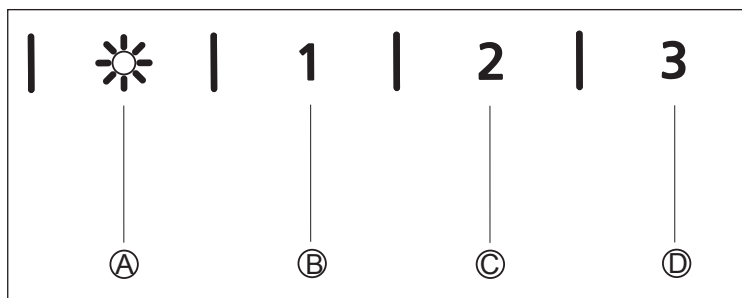
### 3.5.1 Systém prevence zpětného proudění (N-RV)

Když se digestoř používá, klapky jsou uzavřeny, aby zápach a prach nevnikaly do prostředí zvenčí.



(Obrázek 9)

## 4 Používání spotřebiče



(Obrázek 9)

**(A):** Zapnutí / vypnutí světla

**(B):** Tlačítko 1. úrovně

**(C):** Tlačítko 2. úrovně

**(D):** Tlačítko 3. úrovně

### 4.1 Digitální elektronické ovládání se 3 úrovněmi

**(A) Zapnutí/vypnutí světla:** Varnou plochu můžete osvětlit tímto tlačítkem.

**Tlačítko (B):** Digestoř můžete spustit na rychlost 1 stiskem tohoto tlačítka.

Dalším stiskem tohoto tlačítka můžete digestoř vypnout, údaje o rychlosti na displeji se vypnou.

**Tlačítko (C):** Digestoř můžete spustit na rychlost 2 stiskem tohoto tlačítka.

Dalším stiskem tohoto tlačítka můžete digestoř vypnout, údaje o rychlosti na displeji se vypnou.

**Tlačítko (D):** Digestoř můžete spustit na rychlost 3 stiskem tohoto tlačítka.

Dalším stiskem tohoto tlačítka můžete digestoř vypnout, údaje o rychlosti na displeji se vypnou.

#### Automatické vypnutí za 15 min:

Tento spotřebič je vybaven funkcí automatického vypnutí, která umožní odvětrat místnost další dobu, abyste odstranili nepříjemný zápach a páru z místnosti po konci vaření. Spotřebič se automaticky zastaví po určité době.

Chcete-li funkci automatického vypnutí vypnout, stiskněte libovolné tlačítko úrovně rychlosti (B, C, D) na ovladači déle než na 2 sekundy. Aktivuje se časovač na 15 minut.

Pokud stisknete totéž tlačítko úrovně rychlosti, zatímco je zapnuta funkce automatického zastavení, funkce se vypne a spotřebič se zastaví.

Zvolíte-li odlišnou úroveň rychlosti, tato funkce se vypne.

Pokud chcete, aby se spotřebič automaticky vypnul, musíte funkci automatického zastavení znovu zapnout.

#### Pravidelné čištění kovových filtrů:

Filtry je nutno čistit přibližně každých 60 hodin provozu nebo každé 4 týdny podle četnosti používání.

### 4.2 Úsporné používání:

- Při používání digestoře upravte rychlost podle intenzity zápachu a páry, abyste předešli zbytečné spotřebě energie.
- Používejte nízkou rychlost v běžných podmínkách (1-2), vysokou rychlost (3) při intenzivním zápachu a páře.
- Světla na digestoři mají za cíl osvětlit varnou oblast.

Pokud je budete používat k osvětlení okolí/kuchyně, dojde ke zbytečnému nárůstu spotřeby energie a nevhodnému osvětlení.

### 4.3 Používání digestoře:

- Digestoř je vybavena motorem s různými hodnotami rychlosti.
- Pro lepší účinnost doporučujeme používat nízkou rychlost v běžných podmínkách, vysokou rychlost při intenzivním zápachu a páře.
- Digestoř můžete spustit stiskem tlačítka požadované úrovně rychlosti (B, C, D).
- Varnou plochu můžete osvětlit tlačítkem osvětlení. (A)

## 5 Čištění a údržba

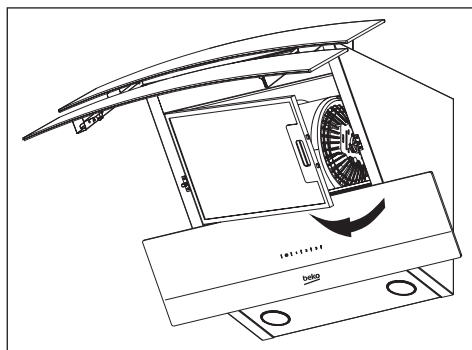
Před čištěním a údržbou odpojte spotřebič nebo vypněte hlavní spínač nebo povolte pojistku pro digestoř.

### 5.1 Hliníkový filtr

Tento filtr zachytává částice oleje ve vzduchu. Doporučujeme čistit filtr každý měsíc při běžném používání. Nejprve demontujte hliníkové filtry. Umyjte filtry tekutým saponátem a opláchněte je vodou, nainstalujte je zpět, až oschnou. Hliníkové filtry mohou při mytí změnit barvu; to je normální a filtr nemusíte měnit.

#### 5.1.1 Demontáž hliníkových filtrů

1. Zatlačte zámek hliníkového filtru dopředu.
2. Pak jej mírně spusťte dolů a zatáhněte dopředu. Jinak byste mohli filtr ohnout. **(Obrázek 10)** Po umytí a vysušení hliníkového filtru vraťte filtr zpět na drážku podle výše uvedených kroků v opačném pořadí.



(Obrázek 10)



Hliníkové filtry můžete mýt i v myčce.

### Uhlíkový filtr (používání bez připojení odvodu)

Tento filtr odstraňuje zápach z vaření. Pokud nelze používat odvod, vyčistí vzduch proudící v kuchyni. Uhlíkový filtr spotřebiče se časem zanesou podle četnosti používání, stylu vaření a pravidelného čištění hliníkových filtrů.



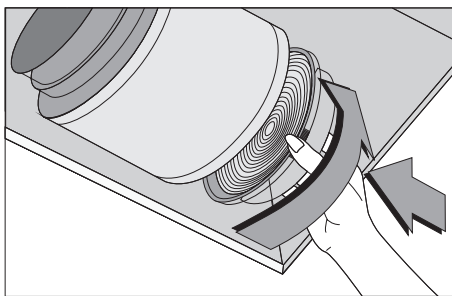
#### Pozor!

Uhlíkový filtr nikdy nemyjte.

**Uhlíkové filtry získáte od autorizovaných servisů Beko.**

#### 5.2.1 Výměna uhlíkového filtru

- Demontujte hliníkové filtry. (Obrázek 10)
- Uhlíkový filtr demontujete tak, že otočíte zářádky proti směru hodinových ručiček a filtr uvolníte. (Obrázek 11)
- Namontujte nový hliníkový filtr.
- Namontujte hliníkové filtry.



(Obrázek 11)

Filtry proti zápachu obsahují dřevěné uhlí (aktivní uhlík).

Je nutno je měnit v intervalech cca 6 měsíců.

Bez ohledu na používání uhlíkového filtru je nutno vždy nainstalovat hliníkové filtry.

Spotřebič nespouštějte bez nasazeného hliníkového filtru. Používání s uhlíkovým filtrem snižuje účinnost odsávání spotřebiče.

## 5 Čištění a údržba

### 5.3 Čištění

Nezanedbávejte čištění digestoře bezprostředně po smažení.

K čištění vnějšího povrchu digestoře použijte měkký hadřík navlhčený v kapalném saponátu.

K čištění nikdy nepoužívejte brusné ani hrubé materiály.

Můžete používat čisticí prostředky běžně dostupné na odolnou mastnotu atd., pokud dodržíte pokyny a varování na výrobku. Abyste nepoškrábali trup z broušené oceli, otírejte ve stejném směru.

Nepoužívejte čisticí prostředky s kyselinou uhlovodíkovou, škrob nebo brusný prášek, abyste zachovali kvalitu povrchu výrobku. Používejte hadřík navlhčený v mýdlovém roztoku nebo speciální čisticí sprej na nerezavějící ocel. Sejměte ochrannou fólii ze spotřebiče.



#### Pozor!

Pokud nedodržíte pokyny týkající se čištění a výměny filtrů digestoře, můžete způsobit požár.

Pokud musíte spotřebič přemístit:

- Uskladněte si originální balení spotřebiče. Spotřebič přepravujte v původním obalu a dodržujte značení pro přepravu na původním obalu.

#### Pokud nemáte původní obal:

- Na digestoř neumísťujte žádné předměty.
- Ochraňte vnější plochu před nárazy.
- Zabalte spotřebič tak, aby se během přepravy nepoškodil.

### 5.4 Výměna žárovek

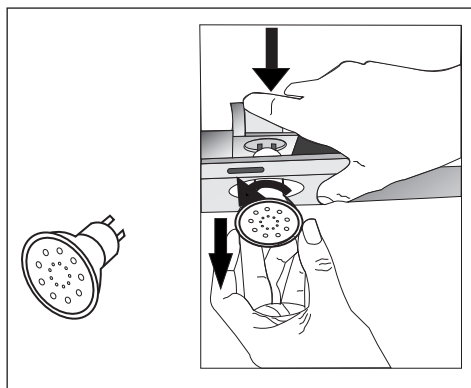
Odpojte napájení ze sítě.

Spotřebič je vybaven třemi 3W diodami LED.

Chcete-li diody LED vyměnit, stiskněte diodu dolů ze zadní části držáku a uvolněte ji.

Pak ji otočte proti směru hodinových ručiček o 1/4 otočky a vyjměte ji.

Předchozí kroky proveďte v opačném pořadí při nasazování nových žárovek.



Žárovky získáte od autorizovaných servisů Beko.

# Leggere per prima cosa questo manuale utente!

Gentile Cliente,

Grazie per aver scelto un prodotto Beko. Speriamo che Lei riesca ad ottenere i risultati migliori da questo prodotto, realizzato con tecnologia di alta qualità e all'avanguardia. Pertanto, legga questo intero manuale utente e tutti gli altri documenti allegati con attenzione prima di utilizzare il prodotto e lo conservi come riferimento per usi futuri. Se passa il prodotto ad altre persone, dia loro anche questo manuale utente. Segua tutte le avvertenze e le informazioni del manuale utente.

Ricordi che questo manuale utente può anche essere applicato a molti altri modelli. Le differenze tra i modelli saranno identificate nel manuale.

## Spiegazione dei simboli

Per tutto questo manuale utente si utilizzano i seguenti simboli:



Informazioni importanti o suggerimenti utili sull'utilizzo.



Avvertenze per situazioni pericolose per vita e proprietà.



Avvertenza per shock elettrico.



Questo prodotto è realizzato utilizzando la tecnologia più aggiornata in condizioni rispettose dell'ambiente.

# 1 Istruzioni importanti per sicurezza e ambiente

Questa sezione contiene istruzioni di sicurezza che consentono di prevenire il pericolo di lesioni personali o di danni materiali. Tutte le garanzie perdono validità se non si rispettano queste istruzioni.

## 1.1 Sicurezza generale

- Far sempre eseguire le procedure di installazione e riparazione dall'agente autorizzato per l'assistenza. Il produttore non sarà considerato responsabile dei danni derivanti da procedure eseguite da persone non autorizzate.
- Questo apparecchio non è concepito per l'utilizzo da parte di persone (compresi i bambini) con ridotte capacità fisiche, sensoriali o mentali o mancata esperienza o conoscenze. I bambini devono essere controllati per assicurarsi che non giochino con l'apparecchio.

### 1.1.1 Sicurezza elettrica

- Scollegare il prodotto dalla rete durante le procedure di installazione, manutenzione, pulizia e riparazione.

- Se il cavo di alimentazione è danneggiato, deve essere sostituito dal fabbricante, da un agente per l'assistenza post-vendita o da persona similmente qualificata (preferibilmente un elettricista) o qualcuno indicato dall'importatore per evitare possibili rischi.
- La tensione di funzionamento va da 220 a 240 volt.
- In caso di guasti all'apparecchio, non utilizzarlo a meno che non venga riparato da un agente autorizzato per l'assistenza. C'è il rischio di shock elettrico!
- Non instradare il cavo vicino al piano cottura. Altrimenti il cavo di alimentazione potrebbe provocare un incendio poiché si scioglie facilmente.
- Non collegare la cappa prima che di aver completato l'installazione.
- Per ottenere le prestazioni migliori, il conduttore esterno non deve essere più lungo di 4 m. Non deve contenere più di 2 angoli perpendicolari (90°) e il diametro deve essere min.  $\varnothing 120$  mm.
- Scollegare l'apparecchio prima di qualsiasi intervento alle parti interne dello stesso.



# 1 Istruzioni importanti per sicurezza e ambiente

## 1.1.2 Sicurezza del prodotto

- Si può utilizzare un tubo con un diametro di 120 mm o 150 mm per il collegamento del tubo della cappa.
- Non eseguire collegamenti ai tubi collegati a piani cottura, tubi di sfiato o tubi con fiamme alte. Rispettare le norme previste dalle autorità per lo scarico dell'aria di sfiato.
- L'altezza tra la superficie inferiore della cappa e la superficie superiore di piano cottura/forno non deve essere inferiore a 65 cm.
- Non utilizzare la cappa senza i filtri di alluminio e non rimuovere i filtri durante il funzionamento.
- Non toccare mai la lampadina della cappa dopo averla utilizzata a lungo. Le lampadine calde possono ustionare la mano.
- Evitare fiamme alte sotto il prodotto. Altrimenti particelle sul filtro dell'olio possono bruciare e portare a un incendio.
- Accendere il piano cottura dopo aver posizionato pentole o padelle sullo stesso. Altrimenti la temperatura in aumento potrebbe deformare alcune parti del prodotto.
- Spegnerne il piano cottura prima di rimuovere pentole o padelle.
- Evitare materiali infiammabili sotto la cappa.
- L'olio può prendere fuoco mentre si frigge. Pertanto fare attenzione a panni e tende.
- Non lasciare mai la cucina senza supervisione mentre si frigge; l'olio bollente potrebbe provocare un incendio.
- C'è rischio di incendio se la cappa non viene pulita secondo gli intervalli specificati.
- Prestare un'attenzione estrema e indossare i guanti quando si pulisce la cappa.
- Consigliamo di avviare l'apparecchio qualche minuto prima di cominciare a cucinare, per accrescere la forza di aspirazione. Così si avrà un'aspirazione continua e stabile quando si creano i vapori.
- Utilizzare la cappa per 15 minuti ancora dopo aver completato la cottura o la frittura per rimuovere il vapore e l'odore della cottura dalla cucina.
- Quando la cappa è in uso, soprattutto con la cucina a gas, assicurare che l'ambiente sia ventilato con aria pulita.

# 1 Istruzioni importanti per sicurezza e ambiente

- Prestare attenzione a non collegare l'apparecchio ai tubi utilizzati da dispositivi non elettrici. (Per es.: tubo del riscaldatore).
- Quando un dispositivo non elettrico è utilizzato contemporaneamente nello stesso ambiente della cappa, la pressione negativa nell'ambiente deve essere massimo 0,4 mbar per evitare che la cappa aspiri lo sfiato dell'altro dispositivo in uso.
- Il produttore non sarà responsabile per danni provocati da uso o gestione non corretti.
- La vita di servizio dell'apparecchio è 10 anni. Questo è il periodo previsto per la disponibilità delle parti di ricambio necessarie al funzionamento del prodotto.

## 1.1.3 Sicurezza dei bambini

- I materiali di imballaggio sono pericolosi per i bambini. Tenere i materiali di imballaggio in un luogo sicuro, fuori dalla portata dei bambini.
- I materiali elettrici sono pericolosi per i bambini. Tenere i bambini lontani dall'apparecchio. I bambini non devono giocare con l'apparecchio.

## 1.2 Uso previsto

- Questo apparecchio è concepito per uso domestico. Non è idoneo a un uso commerciale e non deve essere usato oltre il suo uso previsto.

## 1.3 Conformità con la direttiva RAEE e smaltimento dei rifiuti



Questo apparecchio non contiene materiali pericolosi e proibiti descritti nella "direttiva sulla restrizione dell'uso di determinate sostanze pericolose nelle apparecchiature elettriche ed elettroniche" (RAEE) emessa da T.R. Ministero dell'Ambiente e Urbanizzazione.

Conforme alla Direttiva RAEE.

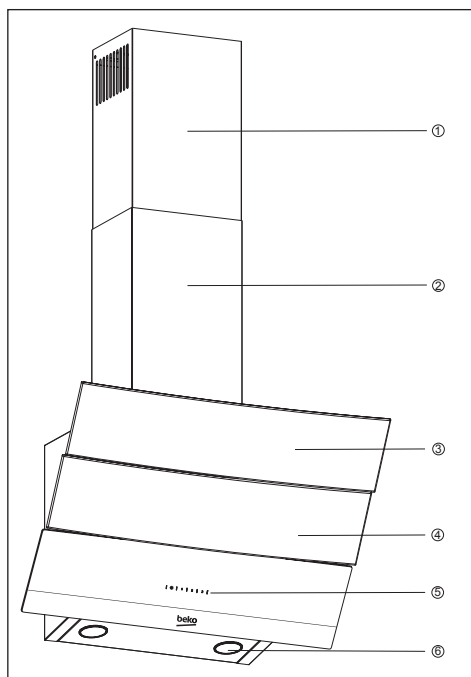
Questo prodotto è stato realizzato con parti e materiali di alta qualità che possono essere riutilizzati e sono adatti ad essere riciclati. Pertanto, non smaltire il prodotto con normali rifiuti domestici alla fine del suo ciclo di vita. Portarlo ad un punto di raccolta per il riciclaggio di apparecchiature elettriche ed elettroniche. Consultare le autorità locali per conoscere il punto di raccolta più vicino. Si contribuisce a proteggere l'ambiente e le risorse naturali riciclando i prodotti usati

## 1.4 Informazioni di imballaggio



L'imballaggio del prodotto è fatto di materiali riciclabili in conformità con la normativa nazionale. Non smaltire i rifiuti dell'imballaggio con i rifiuti domestici o con altri rifiuti e consegnarli nei punti di raccolta appositi indicati dalle autorità locali.

## 2 Specifiche tecniche dell'apparecchio



1. Tubo interno
2. Tubo esterno
3. Copertura di vetro
4. Filtro (sotto la copertura di vetro)
5. Pannello di controllo
6. Luci

(Figura 1)

	HCA 92640 BH	HCA 92640 WH	HCA 62640 W	HCA 62640 WH
Larghezza	896 mm	896 mm	596 mm	596 mm
Profondità	393 mm	393 mm	386 mm	386 mm
Altezza	750 mm / 1130 mm	750 mm / 1130 mm	750 mm / 1080 mm	750 mm / 1080 mm
Tensione di alimentazione	220 - 240 V, 50 Hz	220 - 240 V, 50 Hz	220 - 240 V, 50 Hz	220 - 240 V, 50 Hz
Comando	Con 3 livelli	Con 3 livelli	Con 3 livelli	Con 3 livelli
Potenza lampadina	2 x 3 W	2 x 3 W	2 x 3 W	2 x 3 W
Tubo di uscita dell'aria	120 / 150 mm	120 / 150 mm	120 / 150 mm	120 / 150 mm
Capacità	577 m <sup>3</sup> /h	577 m <sup>3</sup> /h	537 m <sup>3</sup> /h	537 m <sup>3</sup> /h
Potenza motore	1 x 210 W	1 x 210 W	1 x 210 W	1 x 210 W
Potenza totale	216 W	216 W	216 W	216 W
Peso netto	13 kg	13 kg	10,4 kg	10,4 kg
Colore	Nero	Bianco	Bianco	Bianco

I valori dichiarati sulle etichette del prodotto o nella documentazione che lo accompagna si ottengono in condizioni di laboratorio secondo gli standard relativi. Questi valori potrebbero variare a seconda delle condizioni di funzionamento e ambientali del prodotto.

## 2 Specifiche tecniche dell'apparecchio

	HCA 62640 B	HCA 62640 BH	HCA 62540 B	HCA 92540 B
Larghezza	596 mm	596 mm	596 mm	896 mm
Profondità	386 mm	386 mm	386 mm	393 mm
Altezza	750 mm /1080 mm	750 mm /1080 mm	750 mm /1080 mm	750 mm /1130 mm
Tensione di alimentazione	220 - 240 V, 50 Hz	220 - 240 V, 50 Hz	220 - 240 V, 50 Hz	220 - 240 V, 50 Hz
Comando	Con 3 livelli	Con 3 livelli	Con 3 livelli	Con 3 livelli
Potenza lampadina	2 x 3 W	2 x 3 W	2 x 3 W	2 x 3 W
Tubo di uscita dell'aria	120 / 150 mm	120 / 150 mm	120 / 150 mm	120 / 150 mm
Capacità	537 m <sup>3</sup> /h	537 m <sup>3</sup> /h	566 m <sup>3</sup> /h	593 m <sup>3</sup> /h
Potenza motore	1 x 210 W	1 x 210 W	1 x 210 W	1 x 210 W
Potenza totale	216 W	216 W	216 W	216 W
Peso netto	10,4 kg	10,4 kg	10,4 kg	13 kg
Colore	Nero	Nero	Nero	Nero

	HCA 62641 BH	HCA 62641 WH	HCA 92641 BH	HCA 92641 WH
Larghezza	596 mm	596 mm	896 mm	896 mm
Profondità	386 mm	386 mm	393 mm	393 mm
Altezza	750 mm /1080 mm	750 mm /1080 mm	750 mm /1130 mm	750 mm /1130 mm
Tensione di alimentazione	220 - 240 V, 50 Hz	220 - 240 V, 50 Hz	220 - 240 V, 50 Hz	220 - 240 V, 50 Hz
Comando	Con 3 livelli	Con 3 livelli	Con 3 livelli	Con 3 livelli
Potenza lampadina	2 x 3 W	2 x 3 W	2 x 3 W	2 x 3 W
Tubo di uscita dell'aria	120 / 150 mm	120 / 150 mm	120 / 150 mm	120 / 150 mm
Capacità	638 m <sup>3</sup> /h	638 m <sup>3</sup> /h	648 m <sup>3</sup> /h	648 m <sup>3</sup> /h
Potenza motore	1 x 210 W	1 x 210 W	1 x 210 W	1 x 210 W
Potenza totale	216 W	216 W	216 W	216 W
Peso netto	10,4 kg	10,4 kg	13 kg	13 kg
Colore	Nero	Bianco	Nero	Bianco

## 3 Montaggio dell'apparecchio

Consultare l'**agente autorizzato per l'assistenza** più vicino per il montaggio della cappa.

\*La preparazione della posizione e l'installazione elettrica per il prodotto sono responsabilità del cliente.



### Attenzione!

Rimuovere la pellicola protettiva (se presente) dalla cappa e dalla superficie del tubo dopo il montaggio.

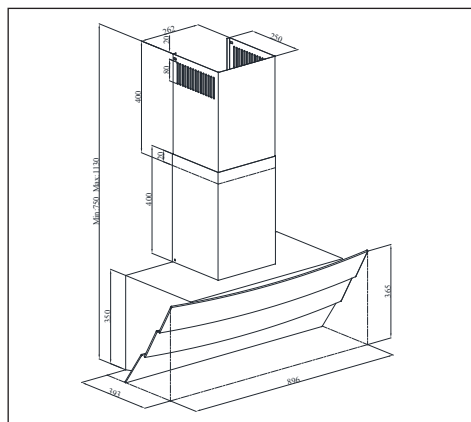
La distanza tra la superficie inferiore della cappa e la superficie superiore del piano cottura deve essere almeno **65 cm**.

Far eseguire il collegamento elettrico da un elettricista qualificato.

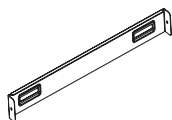
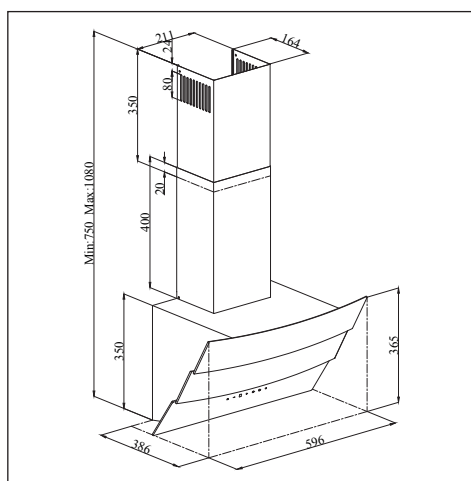
Montare l'apparecchio in modo da poter raggiungere il collegamento elettrico (spina, presa) facilmente dopo il montaggio.

Le dimensioni sono date in mm.

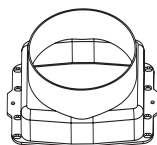
### 3.1 Montaggio degli accessori



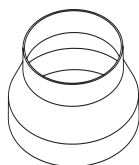
(Figura 2)



1 x piastra di collegamento tubo



1 x tubo di plastica Ø150 mm



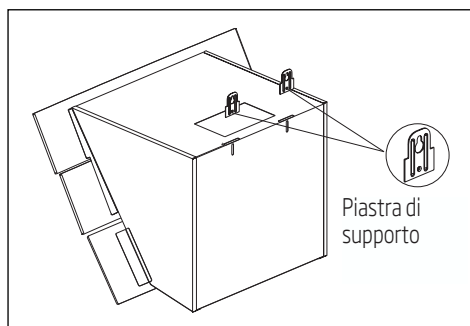
1 x adattatore tubo di plastica Ø120/150 mm

## 3 Montaggio dell'apparecchio

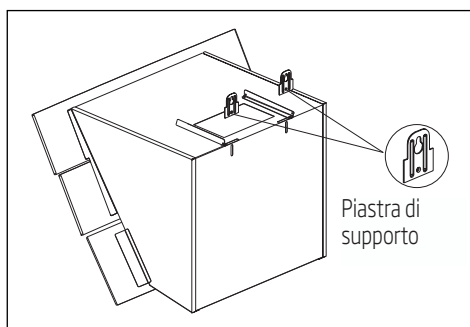
Le informazioni necessarie per la preparazione del pezzo di montaggio della cappa sono date di seguito.

### 3.2 Montaggio della cappa a parete

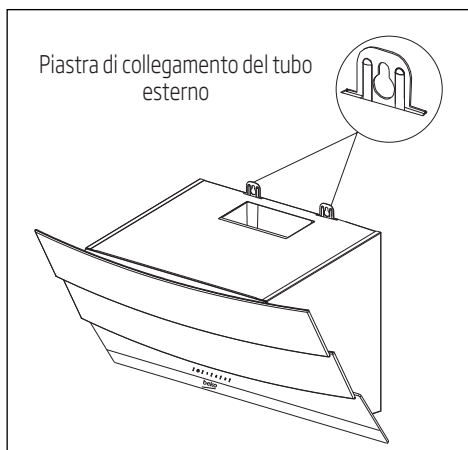
Per montare la cappa a parete, allentare le viti delle piastre di supporto dall'alloggiamento del motore e tirare le piastre verso l'alto. Poi stringere le viti delle piastre di supporto. **(Figura 3a).**



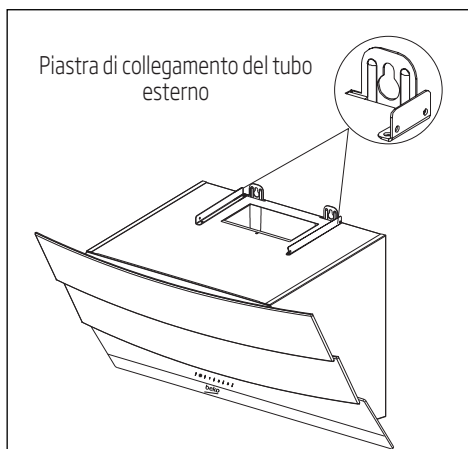
(Figura 3a - 60)



(Figura 3a - 90)



(Figura 3b - 60)

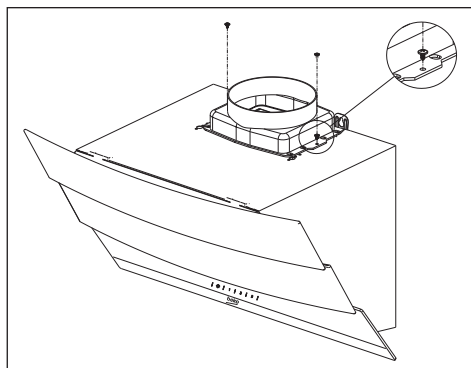


(Figura 3b - 90)

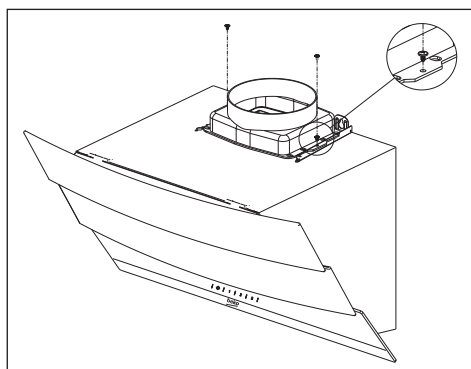
Fissare l'adattatore del tubo di plastica da  $\varnothing 150$  mm sul corpo con la vite da 3,5x9,5 in dotazione con gli accessori per il montaggio **(Figura 4)**.

Se si utilizza un tubo da  $\varnothing 120$  mm, montare l'adattatore da  $\varnothing 120$  mm sullo stesso.

### 3 Montaggio dell'apparecchio



(Figura 4 - 60)

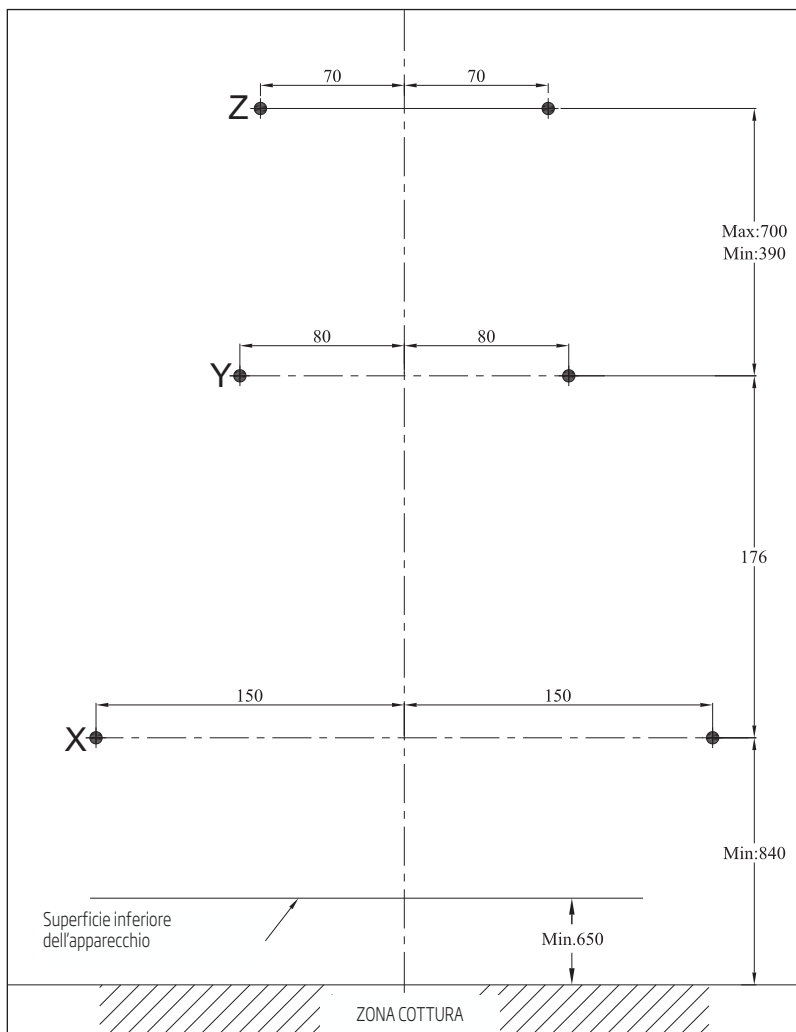
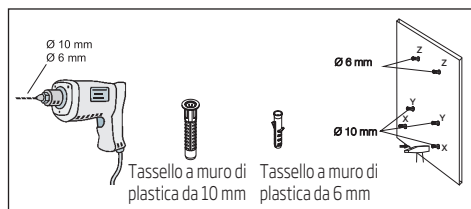


(Figura 4 - 90)

## 3 Montaggio dell'apparecchio

### 3.2.1 Perforazione dei fori per il supporto

Fissare lo schema di montaggio sul pezzo di montaggio della cappa. Trapanare i punti contrassegnati con (X,Y) (**Figura 5**) utilizzando una punta da  $\varnothing 10$  mm e i punti contrassegnati con (Z) (**Figura 5**) utilizzando una punta da  $\varnothing 6$  mm.



(Figura 5)



## 3 Montaggio dell'apparecchio

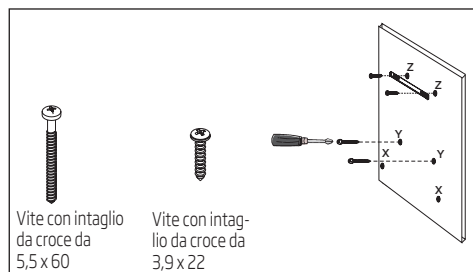
### 3.2.2 Fissaggio con martello dei tasselli a muro

Fissare con un martello i tasselli a muro da  $\varnothing$  10 mm (X,Y) nei fori trapanati per le viti di supporto. Fissare con un martello 2 tasselli a muro da  $\varnothing$  6 mm (Z) nei fori trapanati con una punta da  $\varnothing$  6 mm per la piastra di collegamento del tubo esterno. (Figura 5)

### 3.2.3 Montaggio delle viti di supporto

Montare le viti di supporto da 5,5x60 nei tasselli a muro da  $\varnothing$  10 mm (Y) creati nella parete. Deve esserci una distanza di 5 mm tra la testa della vite e la parete. (Figura 6)

Collegare la piastra di collegamento del tubo interno ai tasselli a muro da 6 mm (Z) alla parete utilizzando vito da  $\varnothing$  3,9x22. (Figura 6)



(Figura 6)

### 3.2.4 Montaggio della cappa a parete

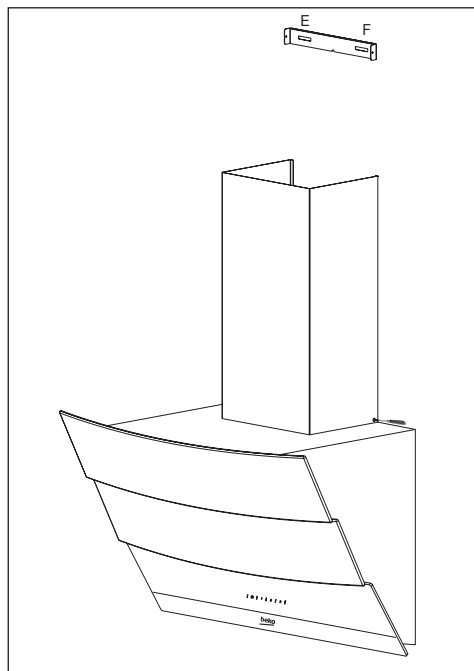
- Montare la cappa sulle viti installate nei fori Y.
- Aprire la finestra di aspirazione laterale della cappa tirandola verso di sé. Montare le viti da 5,5x60 attraverso i fori X collocati all'interno per fissare l'apparecchio.

## 3 Montaggio dell'apparecchio

### 3.3 Montaggio del tubo della cappa

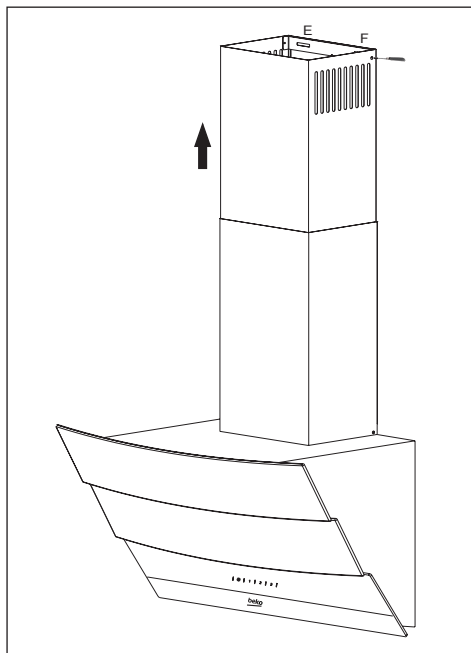
Scollegare l'apparecchio dalla rete elettrica prima di avviare il montaggio del tubo. Fissare le parti del tubo metallico attorno al corpo.

Avvitare il tubo esterno alle piastre di collegamento del tubo esterno che si trovano sull'alloggiamento del motore. **(Figura 3b / 7)**



**(Figura 7)**

Allungare e avvitare il tubo interno dai bordi esterni sulla piastra di collegamento del tubo fissata alla parete **(Figura 8)**.



**(Figura 8)**

## 3 Montaggio dell'apparecchio

### 3.4.1 Utilizzo con il collegamento del tubo

- Il vapore viene rimosso mediante un tubo fissato alla testa di collegamento della cappa.
- Il diametro del tubo deve essere pari al diametro dell'anello di collegamento. Per consentire lo sfiato dell'aria senza problemi fuori dall'ambiente nelle sistemazioni orizzontali, il tubo deve essere leggermente inclinato verso l'alto (circa 10°).

### 3.4.2 Utilizzo senza il collegamento del tubo

- L'aria è filtrata dal filtro di carbonio e immessa di nuovo nell'ambiente. Il filtro di carbonio è utilizzato quando non ci sono tubi in casa.
- Se la cappa sarà utilizzata senza collegamento del tubo, rimuovere i deviatori interni all'adattatore del tubo.
- Rimuovere il filtro di alluminio. Per montare il filtro di carbonio, centrarlo sulla parte in plastica a entrambi i lati del corpo della ventola e fissarlo alle alette. Fissare il filtro ruotando le alette verso destra o sinistra.
- Montare il filtro di alluminio.

## 3.5 Collegamento tubo:

Mettere l'adattatore in dotazione con la cappa nel foro di ventilazione che si trova nella sezione superiore della cappa. Trovare un tubo con un diametro di 120/150 mm. Collegare un'estremità del tubo all'adattatore e l'altra estremità al tubo.

Assicurarsi che questi due collegamenti siano abbastanza fermi

così da non spostarsi quando la cappa opera alla velocità massima. Controllare che le alette interne al tubo siano funzionanti quando sono strette con il morsetto. Fissare il tubo di collegamento sull'adattatore. Se si monta il tubo di collegamento all'interno dell'adattatore, l'aspirazione dell'aria non si verifica poiché le alette che impediscono il reflusso dell'aria restano chiuse.

Non si consiglia di eseguire collegamenti ai tubi già collegati a piani cottura o a tubi di sfiato. Non eseguire collegamenti a tali tubi. Il collegamento del tubo deve essere quanto più corto possibile e avere un numero minimo di gomiti.

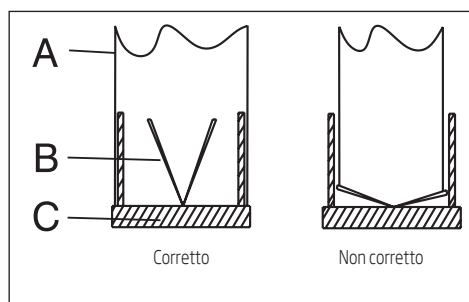
A: Tubo di uscita

B: Alette che impediscono il reflusso

C: Tubo di plastica

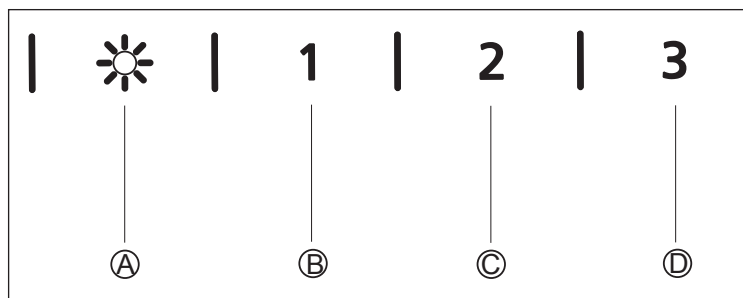
### 3.5.1 Sistema prevenzione reflusso (N-RV)

Quando si utilizza la cappa, le alette sono chiuse per impedire che odori e polvere entrino nell'ambiente dall'esterno.



(Figura 9)

## 4 Funzionamento dell'apparecchio



(Figura 9)

**(A):** Tasto accensione / spegnimento luci

**(B):** Tasto primo livello

**(C):** Tasto secondo livello

**(D):** Tasto terzo livello

### 4.1 Controllo elettronico digitale con 3 livelli

**(A) Tasto accensione / spegnimento luci:** Premendo questo tasto, si può illuminare l'area di cottura.

**Tasto (B):** Premendo questo tasto, si può avviare la cappa con una velocità di livello 1.

Quando si preme di nuovo questo tasto, l'apparecchio si spegne e scompare l'indicazione del livello di velocità sul display.

**Tasto (C):** Premendo questo tasto, si può avviare la cappa con una velocità di livello 2.

Quando si preme di nuovo questo tasto, l'apparecchio si spegne e scompare l'indicazione del livello di velocità sul display.

**Tasto (D):** Premendo questo tasto, si può avviare la cappa con una velocità di livello 3.

Quando si preme di nuovo questo tasto, l'apparecchio si spegne e scompare l'indicazione del livello di velocità sul display.

### Arresto automatico entro 15 min.:

Questo apparecchio è dotato di funzione di arresto automatico che consente all'apparecchio di ventilare l'ambiente per un periodo di tempo aggiuntivo per rimuovere odori e vapori sgradevoli nell'ambiente alla fine della cottura. L'apparecchio si arresta automaticamente dopo un determinato periodo di tempo.

Per abilitare la funzione di arresto automatico, premere uno dei tasti di livello della velocità (B, C, D) per più di 2 secondi. Si attiva un timer di 15 minuti.

Se si preme lo stesso tasto di livello della velocità mentre la funzione di arresto automatico è attiva, la funzione si disattiva e l'apparecchio si arresta.

Se si seleziona un diverso livello di velocità, questa funzione si disattiva.

Se si desidera che l'apparecchio si arresti automaticamente, bisogna attivare di nuovo la funzione di arresto automatico.

### Pulizia periodica dei filtri di metallo:

I filtri devono essere puliti circa ogni 60 ore di funzionamento o 4 settimane a seconda della frequenza di utilizzo.

## 4 Funzionamento dell'apparecchio

### 4.2 Utilizzo ad efficienza energetica:

- Quando si utilizza la cappa, regolare il livello di velocità secondo l'intensità dell'odore e del vapore per evitare un consumo energetico non necessario.
- Utilizzare basse velocità in condizioni normali (1-2) e alta velocità (3) quando odore e vapori sono più intensi.
- Le luci sulla cappa sono concepite per illuminare la zona di cottura.

Utilizzarle per illuminare l'ambiente/la cucina provoca un consumo energetico non necessario, nonché illuminazione inadeguata.

### 4.3 Funzionamento della cappa:

- La cappa è dotata di un motore che ha varie velocità di velocità.
- Per una migliore prestazione, consigliamo di utilizzare velocità basse in condizioni normali e velocità alta quando odore e vapori sono più intensi.
- Si può avviare la cappa premendo il tasto del livello di velocità desiderato (B,C,D).
- Si può illuminare l'area di cottura premendo il tasto della luce. (A)

## 5 Pulizia e manutenzione

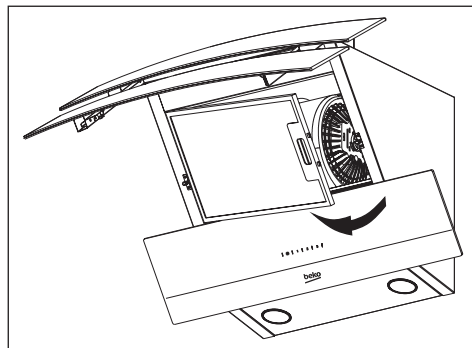
Prima di pulizia e manutenzione, scollegare l'apparecchio o spegnere l'interruttore principale o allentare il fusibile che alimenta la cappa.

### 5.1 Filtro di alluminio

Questo filtro cattura le particelle d'olio nell'aria. Si consiglia di pulire il filtro ogni mese in condizioni normali d'uso. Per prima cosa rimuovere i filtri di alluminio per questo processo. Lavare i filtri con detersivo liquido e sciacquarli con acqua; rimontarli dopo che si sono asciugati. I filtri di alluminio possono scolorire con il lavaggio; ciò è normale e non è necessario cambiare il filtro.

#### 5.1.1 Rimozione dei filtri di alluminio

1. Spingere in avanti il blocco del filtro di alluminio.
  2. Poi abbassarlo leggermente e tirare avanti. Altrimenti il filtro potrebbe piegarsi. (Figura 10)
- Quando il filtro di alluminio è lavato e asciugato, rimontarlo nella apposita apertura ripetendo i punti precedenti in ordine inverso.



I filtri di alluminio possono anche essere lavati in lavastoviglie.

### Filtro di carbonio (utilizzo senza tubo)

Questo filtro rimuove gli odori di cucina. Se non è possibile utilizzare un tubo, purifica l'aria che circola all'interno della cucina. Il filtro di carbonio dell'apparecchio si intasa nel tempo a seconda di frequenza d'uso, stile di cottura e pulizia regolare dei filtri di alluminio.



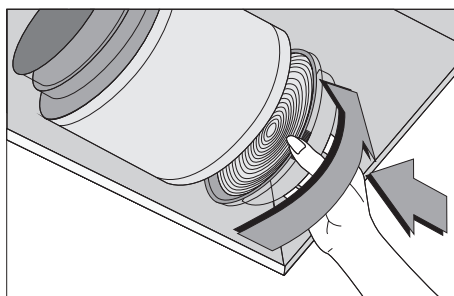
#### Attenzione!

Il filtro di carbonio non deve mai essere lavato.

**I filtri di carbonio possono essere ordinati presso gli agenti autorizzati per l'assistenza Beko.**

#### 5.2.1 Sostituzione del filtro di carbonio

- Rimuovere i filtri di alluminio. (Figura 10)
- Per rimuovere il filtro di carbonio, ruotare le alette in senso antiorario e rilasciare il filtro. (Figura 11)
- Installare il nuovo filtro di carbonio.
- Montare i filtri di alluminio.



#### (Figura 11)

I filtri anti-odore contengono carbone (carbonio attivo).

Devono essere sostituiti dopo un periodo di circa 6 mesi.

## 5 Pulizia e manutenzione

Sia che si usi il filtro di carbone o non, i filtri di alluminio devono essere sempre installati.

Non utilizzare l'apparecchio senza il filtro di alluminio in posizione. L'utilizzo del filtro di carbonio fa diminuire le prestazioni di aspirazione dell'apparecchio.

### 5.3 Pulizia

In particolare non trascurare di pulire la cappa subito dopo aver fritto.

Utilizzare un panno morbido immerso in detersivo liquido per pulire la superficie esterna della cappa. Per la pulizia non utilizzare mai materiali abrasivi o che graffiano.

Si possono utilizzare gli agenti per la pulizia disponibili in commercio per il grasso persistente, seguendo le avvertenze sul prodotto. Per non graffiare il corpo in acciaio spazzolato, pulire nella stessa direzione del disegno.

Non utilizzare agenti per la pulizia contenenti acido cloridrico, candeggina o polveri abrasive per conservare la qualità superficiale del prodotto. Utilizzare un panno umido in acqua saponata o uno speciale spray per la pulizia in acciaio inox per le superfici in acciaio inox. Rimuovere la pellicola protettiva dell'apparecchio.



#### Attenzione!

Se non si rispettano le istruzioni su pulizia e sostituzione dei filtri della cappa, è possibile che si inneschi un incendio.

Se è necessario trasportare l'apparecchio:

- Conservare l'imballaggio originale dell'apparecchio. Trasportare l'apparecchio con il suo imballaggio originale e seguire i contrassegni relativi al trasporto sull'imballaggio originale.

#### Se non si ha l'imballaggio originale:

- Non mettere oggetti sulla cappa.
- Proteggere la superficie esterna da colpi.

- Imballare l'apparecchio in modo che non si danneggi durante il trasporto.

### 5.4 Sostituzione delle lampadine

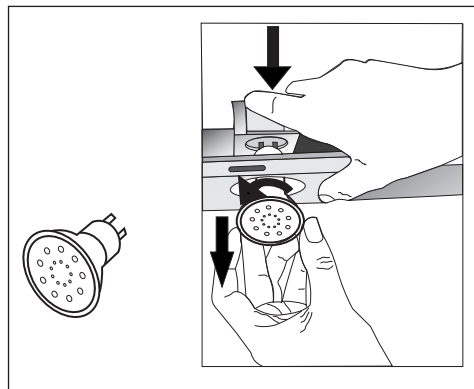
Scollegare la cappa dall'alimentazione elettrica.

Questo apparecchio è dotato di lampadine LED da 3 W.

Per sostituire le lampadine LED, premere la lampadina verso il basso dalla parte posteriore del supporto della lampada stessa per rilasciarla.

Poi ruotarla in senso antiorario di 1/4 di giro e rimuoverla.

Eseguire i passi suddetti al contrario per montare le nuove lampadine.



Le lampadine sono disponibili presso gli agenti autorizzati per l'assistenza.

# Najprej preberite priročnik za uporabo!

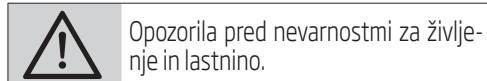
Spoštovani,

Zahvaljujemo se vam, da ste se odločili nakup izdelka Beko. Upamo, da bo izdelek, ki je bil izdelan z visokokakovostno in najnovejšo tehnologijo, upravičil vaše zaupanje. Zato pred uporabo naprave preberite celoten uporabniški priročnik in vso ostalo priloženo dokumentacijo ter jo shranite kot referenco za prihodnjo uporabo. Če napravo predate nekomu drugemu, zraven priložite še uporabniški priročnik. Upoštevajte vsa opozorila in informacije v uporabniškem priročniku.

Upoštevajte, da je uporabniški priročnik namenjen tudi številnim drugim modelom. Razlike med modeli bodo v priročniku posebej označene.

## Pomen simbolov

Uporabniški priročnik vsebujejo naslednje simbole:



Izdelano z najnovejšo tehnologije v okolju prijaznih pogojih.



# 1 Pomembna navodila za varnost in okolje

V tem poglavju so varnostna navodila za zaščito pred telesnimi poškodbami in stvarno škodo. Če ne upoštevate navodil, postanejo garancije nične.

## 1.1 Splošna varnost

- Vse inštalacije in popravila naročite pri pooblaščenem serviserju. Izdelovalec ni odgovoren za poškodbe, ki nastanejo zaradi del, ki jih opravijo nepooblašчени delavci.
- Naprava ni oblikovana in izdelana za osebe (tudi ne otroke) z zmanjšanimi fizičnimi, senzornimi ali duševnimi zmožnostmi oziroma osebe s pomanjkljivimi izkušnjami in znanjem. Nadzirajte otroke in jim ne dovolite, da se igrajo z napravo.

### 1.1.1 Električna varnost

- Preden se lotite inštalacije, vzdrževanja, čiščenja in popravil, obvezno odklopite izdelek iz omrežne napeljave.
- Naročite zamenjavo poškodovanega električnega kabla pri izdelovalcu, na poprodajnem servisu ali pri ustrezno usposobljenem delavcu (po možnosti elektrikarju) ali pri osebi, ki jo predlaga uvoznik, in tako preprečite nevarnosti.

- Obratovalna napetost 220 do 240 V.
- Če je naprava okvarjena, je ni dovoljeno uporabiti, dokler je ne popravi pooblaščen serviser. Nevarnost električnega udara.
- Ne napeljite napajalnega kabla v bližino grelnih plošč. Kabel se lahko vname, saj se hitro topi.
- V nobenem primeru ni dovoljeno priključiti nape, preden ne dokončate napeljave.
- Za najboljše rezultate ne sme biti zunanji prevodnik daljši od 4 m. V njem sta lahko največ 2 pravokotna (90°) kota; premer prevodnika mora biti min.  $\varnothing 120$  mm.
- Pred vsemi intervencijami na zunanjih delih napravo odklopite.
- 1.1.2 Varnost izdelka
- Uporabite lahko cev s premerom 120 mm ali 150 mm na cevni povezavi za dimne pline nape.
- Ne povežite na cevi za dimne pline, povezane na štedilnik, izpušne jaške ali cevi za dimne pline z odprtimi ognjem. Upoštevajte pravila, kot jih določijo organi, pristojni za odjem izpušnega zraka.
- Višina med površino spodaj na napi in površino zgoraj na štedilniku/peči mora biti najmanj 65 cm.

- Nape ni dovoljeno upravljati, če niso nameščeni aluminijasti filtri; med upravljanjem aluminijastih filtrov ni dovoljeno odstraniti.
- Ne dotikajte se svetilke na napi, ki je gorela dalj časa. Na vročih površinah svetilke si lahko opečete roko.
- Ne dovolite, da pod izdelkom gori odprt ogenj visoko. Delci na oljnem filtru se lahko vnamejo in filter za-gori.
- Grelne plošče odprite, šele ko nanje namestite ponve ali posode. Zaradi temperature, ki narašča, lahko posamezni deli izdelka spre-menijo obliko.
- Preden umaknete ponve ali po-sode, zaprite grelne plošče.
- Ne odlagajte vnetljivih materialov pod napo.
- Med cvrtjem se olje lahko vname. Zato previdno s krpami in zave-sami.
- Med cvrtjem ne zapuščajte štedil-nika; vrelo olje se lahko vname.
- Če nape ne očistite v določenem času, ustvarite nevarnost požara.
- Delajte zelo previdno in napo čis-tite z rokavicami na rokah.
- Svetujemo, da napravo zaženete nekaj minut pred začetkom kuhe, tj. počakate, da naprava doseže večjo moč sesanja. Tako bo moč sesanja neprekinjena in enako-merna, ko se bodo hlapi dvignili.
- Nape ne izključite še 15 minut po končani kuhi ali cvrtju, da očistite vse vonje in hlape, nastale med kuho, iz kuhinje.
- Medtem ko je napa vključena, predvsem ko je vključena nad plinskim štedilnikom, poskrbite za dobro prezračevanje.
- Ne povežite naprave na cevi za dimne pline, povezane na na-prave, ki niso električne. (Npr.: cev za dimne pline grelnika).
- Ko sočasno uporabljajte ne-ele-ktrično napravo v istem prostoru skupaj z napo, negativni tlak v prostoru ne sme preseči 0,4 mbar, da napa ne posesa izpuha druge naprave v prostor.

## 1.1.3 Varnost otrok

- Embalažni material je nevaren za otroke. Embalažni material shra-nite na varno in izven dosega otrok.

- Električne naprave so nevarne za otroke. Preprečite otrokom dostop do izdelka. Ne dovolite otrokom, da se igrajo z napravo.

## 1.2 Namen uporabe

- Naprava je oblikovana in izdelana za uporabo v gospodinjstvu. Naprava ni primerna za uporabo v komercialne namene in je ni dovoljeno uporabljati za namene, za katere ni bila izdelana.
- Izdelovalec ni odgovoren za poškodbe, nastale zaradi nepravilne uporabe ali nepravilnega rokovanja
- Tehnična življenjska doba naprave je 10 let. V tem obdobju so na voljo nadomestni deli, potrebni za delovanje naprave.

## 1.3 Skladnost s predpisi o odpadni električni in elektronski opremi (WEEE) in odlaganje naprave



Ta izdelek ne vsebuje škodljivih in prepovedanih materialov, ki so opisani v direktivi o omejitvi uporabe določenih nevarnih snovi v odpadni električni in elektronski opremi (WEEE); izdajatelj T.R.

Ministrstvo za okolje in urbanizem

V skladu z direktivo o odpadni električni in elektronski opremi (WEEE).

Ta izdelek je izdelan iz kakovostnih sestavnih delov in materialov, ki jih je možno ponovno uporabiti in so primerni za recikliranje. Zato odsluženega izdelka ne zavržite med običajne gospodinjske odpadke. Odpeljite ga v center za ločeno zbiranje in recikliranje odpadnih električnih in elektronskih naprav. O najbližjem zbirnem centru se posvetujte na lokalnem pristojnem uradu. Varujte okolje in naravne vire: reciklirajte odpadne izdelke.

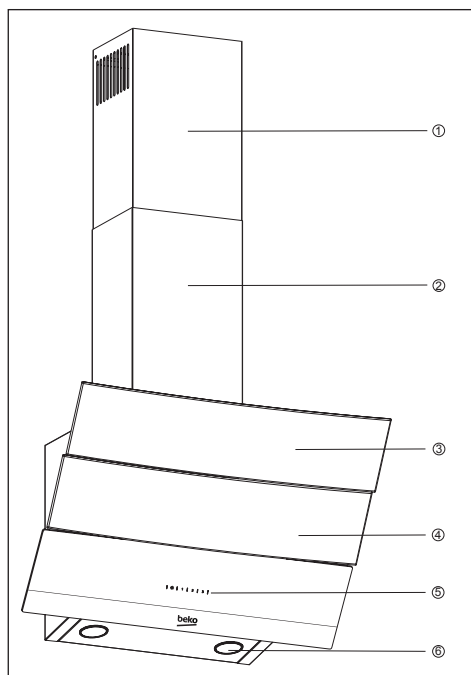
## 1.4 Podatki o embalaži



Ni-MH

Embalaža je iz materiala, ki ga lahko reciklirate, kot je določeno z veljavno lokalno zakonodajo. Embalaže ne zavržite skupaj z običajnimi odpadki v gospodinjstvu ali drugimi odpadki; embalažo odnesite v center za ločeno zbiranje odpadkov po navodilu lokalnega pristojnega urada.

## 2 Tehnične lastnosti naprave



1. Notranji dimni plin
2. Zunanja cev za dimni plin
3. Stekleni pokrov
4. Filter (pod steklenim pokrovom)
5. Nadzorna plošča
6. Osvetlitev

(Slika 1)

	HCA 92640 BH	HCA 92640 WH	HCA 62640 W	HCA 62640 WH
Širina	896 mm	896 mm	596 mm	596 mm
Globina	393 mm	393 mm	386 mm	386 mm
Višina	750 mm / 1130 mm	750 mm / 1130 mm	750 mm / 1080 mm	750 mm / 1080 mm
Napajalna napetost	220 - 240 V, 50 Hz	220 - 240 V, 50 Hz	220 - 240 V, 50 Hz	220 - 240 V, 50 Hz
Upravljanje	3 ravni	3 ravni	3 ravni	3 ravni
Moč svetilke	2 x 3 W	2 x 3 W	2 x 3 W	2 x 3 W
Cev za odvod zraka	120 / 150 mm	120 / 150 mm	120 / 150 mm	120 / 150 mm
Zmogljivost	577 m <sup>3</sup> /h	577 m <sup>3</sup> /h	537 m <sup>3</sup> /h	537 m <sup>3</sup> /h
Moč motorja	1 x 210 W	1 x 210 W	1 x 210 W	1 x 210 W
Moč skupaj	216 W	216 W	216 W	216 W
Neto teža	13 kg	13 kg	10,4 kg	10,4 kg
Barva	Črna	Bela	Bela	Bela

Vrednosti, označene na nalepkah na izdelku ali v spremljevalnih dokumentih so izmerjene v laboratorijih in v skladu z veljavnimi standardi. Te vrednosti so odvisne od obratovalnih in okoljskih pogojev.

## 2 Tehnične lastnosti naprave

	HCA 62640 B	HCA 62640 BH	HCA 62540 B	HCA 92540 B
Širina	596 mm	596 mm	596 mm	896 mm
Globina	386 mm	386 mm	386 mm	393 mm
Višina	750 mm /1080 mm	750 mm /1080 mm	750 mm /1080 mm	750 mm /1130 mm
Napajalna napetost	220 - 240 V, 50 Hz	220 - 240 V, 50 Hz	220 - 240 V, 50 Hz	220 - 240 V, 50 Hz
Upravljanje	3 ravni	3 ravni	3 ravni	3 ravni
Moč svetilke	2 x 3 W	2 x 3 W	2 x 3 W	2 x 3 W
Cev za odvod zraka	120 / 150 mm	120 / 150 mm	120 / 150 mm	120 / 150 mm
Zmogljivost	537 m <sup>3</sup> /h	537 m <sup>3</sup> /h	566 m <sup>3</sup> /h	593 m <sup>3</sup> /h
Moč motorja	1 x 210 W	1 x 210 W	1 x 210 W	1 x 210 W
Moč skupaj	216 W	216 W	216 W	216 W
Neto teža	10,4 kg	10,4 kg	10,4 kg	13 kg
Barva	Črna	Črna	Črna	Črna

	HCA 62641 BH	HCA 62641 WH	HCA 92641 BH	HCA 92641 WH
Širina	596 mm	596 mm	896 mm	896 mm
Globina	386 mm	386 mm	393 mm	393 mm
Višina	750 mm /1080 mm	750 mm /1080 mm	750 mm /1130 mm	750 mm /1130 mm
Napajalna napetost	220 - 240 V, 50 Hz	220 - 240 V, 50 Hz	220 - 240 V, 50 Hz	220 - 240 V, 50 Hz
Upravljanje	3 ravni	3 ravni	3 ravni	3 ravni
Moč svetilke	2 x 3 W	2 x 3 W	2 x 3 W	2 x 3 W
Cev za odvod zraka	120 / 150 mm	120 / 150 mm	120 / 150 mm	120 / 150 mm
Zmogljivost	638 m <sup>3</sup> /h	638 m <sup>3</sup> /h	648 m <sup>3</sup> /h	648 m <sup>3</sup> /h
Moč motorja	1 x 210 W	1 x 210 W	1 x 210 W	1 x 210 W
Moč skupaj	216 W	216 W	216 W	216 W
Neto teža	10,4 kg	10,4 kg	13 kg	13 kg
Barva	Črna	Bela	Črna	Bela

## 3 Namestitev naprave

Prosimo, o namestitvi nape se posvetujte na najbližjem **pooblaščenem servisu**.

\*Za pripravo mesta in električne inštalacije za namestitev izdelka je odgovoren kupec.



### Pozor!

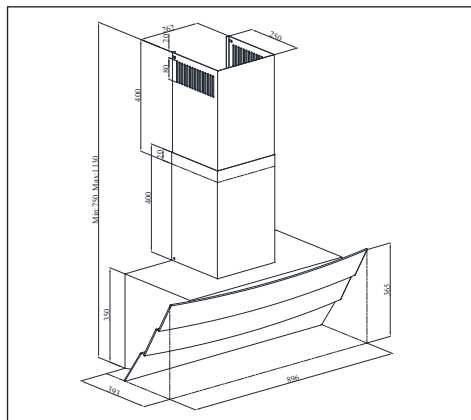
Ko nabo namestite, z nje in površine cevi za dimni plin odstranite zaščitno folijo (če je nameščena).

Razdalja med površino spodaj na napi in površino zgoraj na grelni plošči mora biti najmanj **65 cm**.

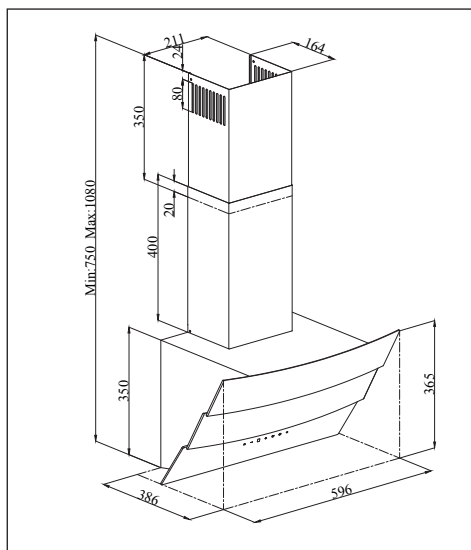
Električno povezavo naj vzpostavi strokovno usposobljen električnik.

Napravo namestite tako, da lahko kadar koli in enostavno dosežete napajalni kabel (vtič, vtičnico).

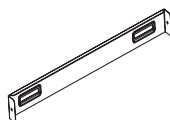
Velikosti so označene v mm.



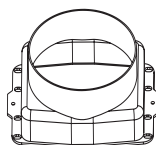
(Slika 2)



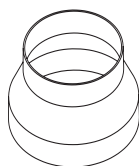
### 3.1 Priključki za namestitev



1 x povezovalna plošča cevi za dimni plin



Plastična cev za dimni plin  
1 x Ø150 mm



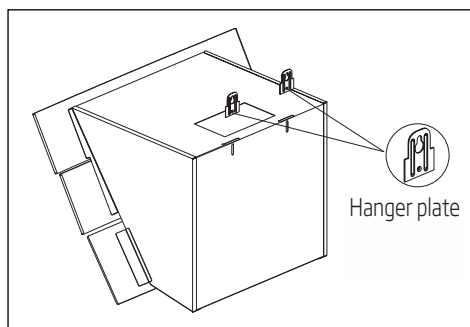
Plastični vmesnik za cev za dimni plin  
1 x Ø120/150 mm

## 3 Namestitev naprave

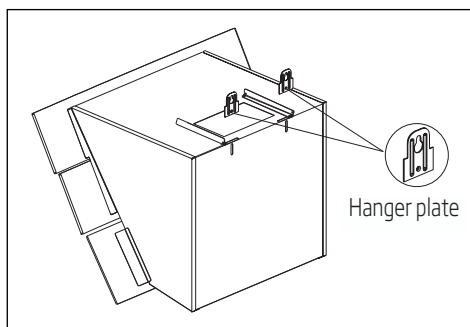
V nadaljevanju so informacije, potrebne za pripravo mesta za namestitev nape.

### 3.2 Namestitev nape na steno

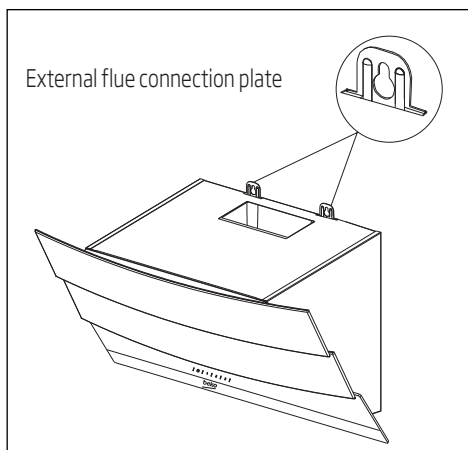
Napo namestite na steno tako, da najprej odvijete vijake na nosilnih ploščah na motornem zakrovu in potisnete plošče gor. Nato, privijte vijake plošč nosilca. **(Slika 3a).**



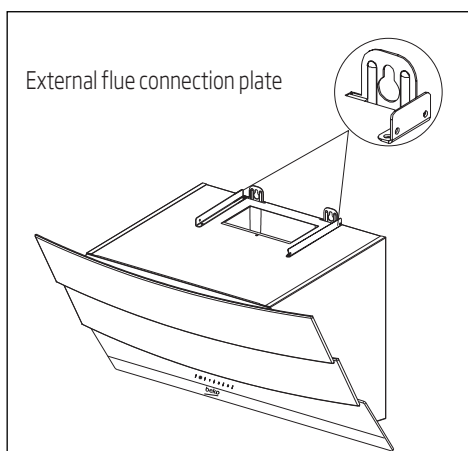
(Slika 3a - 60)



(Slika 3a - 90)



(Slika 3b - 60)

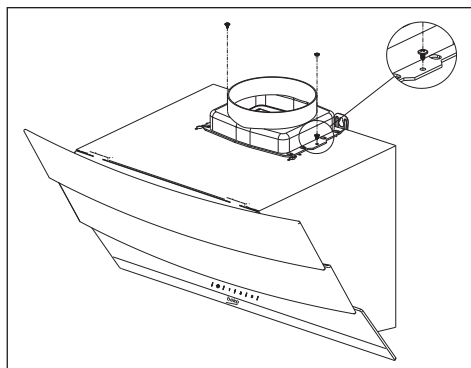


(Slika 3b - 90)

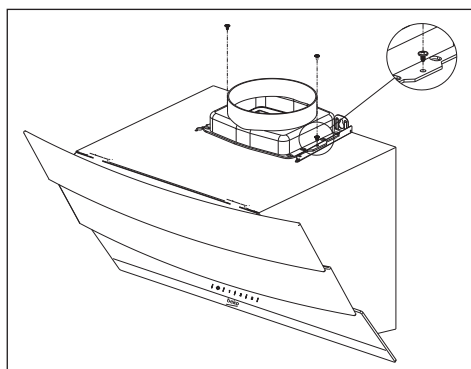
Pritrdite plastični vmesnik za cev za dimni plin  $\varnothing$  150 mm na vrh ohišja, in sicer z vijakom 3,5x9,5, ki je med dodatki za namestitev **(Slika 4)**.

Če ima cev za dimni plin premer  $\varnothing$  120 mm, namestite vmesnik  $\varnothing$  120 mm.

### 3 Namestitev naprave



(Slika 4 - 60)



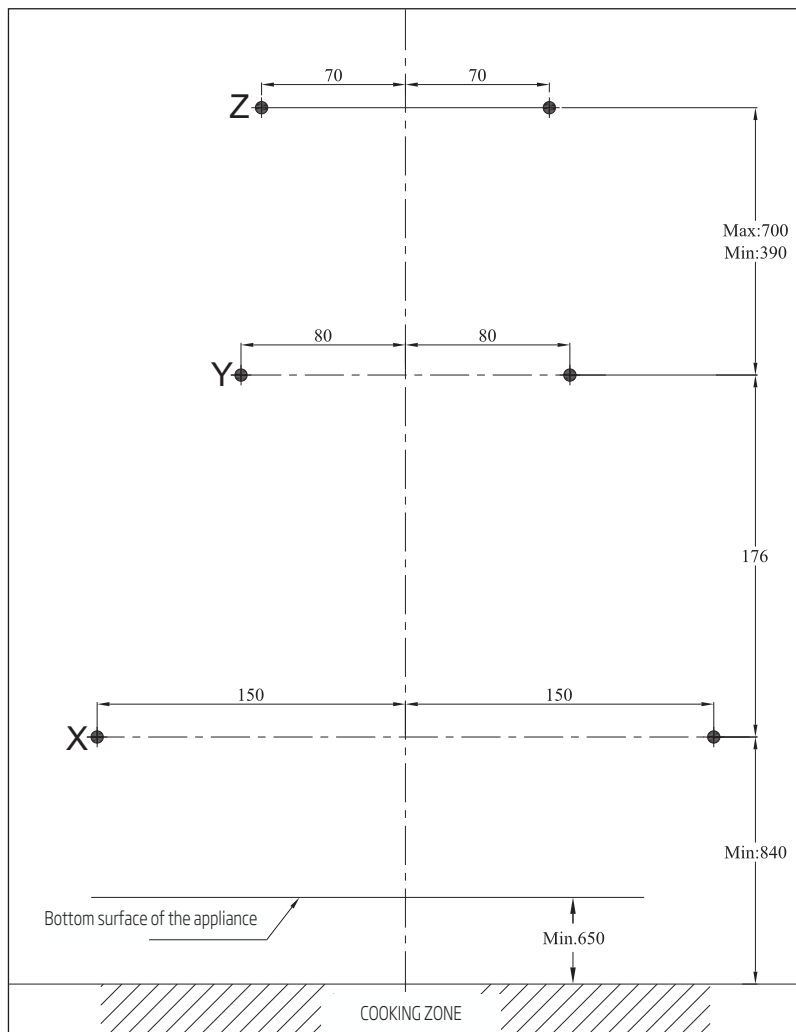
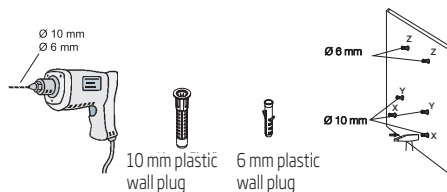
(Slika 4 - 90)



## 3 Namestitev naprave

### 3.2.1 Vrtanje lukenj za nosilec

Pritrdite namestitveno šablono na mesto za namestitev nape. Izvrtajte luknje na točkah, označenih z (X,Y) (**Slika 5**), s svedom  $\varnothing 10$  mm in na točkah, označenih z (Z) (**Slika 5**), s svedom  $\varnothing 6$  mm.



(Slika 5)

## 3 Namestitev naprave

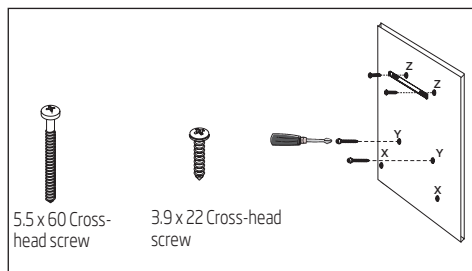
### 3.2.2 Zabijanje stenskih vtičev

Zabijte stenske vtiče  $\varnothing$  10 mm (X,Y) v odprtini, izvrtani za vijake nosilca. Zabijte stenska vtiča 2 x  $\varnothing$  6 mm (Z) v odprtini, izvrtani s svedom  $\varnothing$ 6 mm za povezovalno ploščo za zunanjo cev za dimni plin. **(Slika 5)**

### 3.2.3 Namestitev vijakov za nosilec

Namestite vijaka za nosilec 5.5x60 v stenska vtiča  $\varnothing$  10 mm (Y), ki ste ga zabili v steno. Med glavo vijaka in steno mora biti razmik 5 mm. **(Slika 6)**

Povežite povezovalno ploščo notranje cevi za dimni plin na stenska vtiča 6 mm (Z) na steni, in sicer z vijaki  $\varnothing$  3.9x22. **(Slika 6)**



**(Slika 6)**

### 3.2.4 Obesiti napo na steno

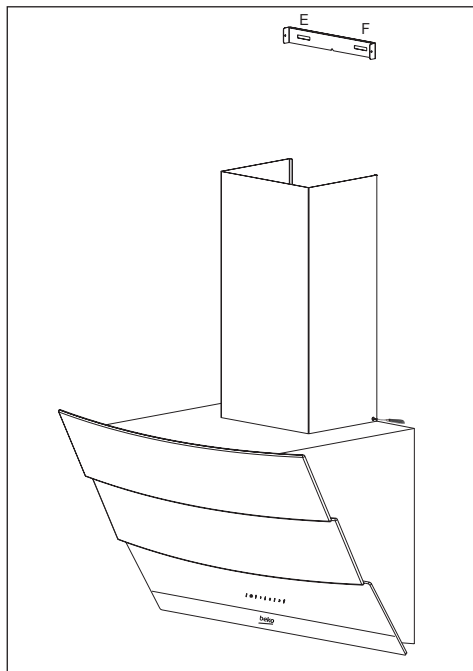
- Napo obesite na vijaka, ki ste ju namestili v luknji Y.
- Odprite stransko sesalno okno na napi tako, da ga potisnete proti sebi. Namestite vijaka 5.5x60 skozi odprtini X na notranji strani, tako da ju pritrdite na napravo.

## 3 Namestitev naprave

### 3.3 Namestitev cevi za dimni plin nape

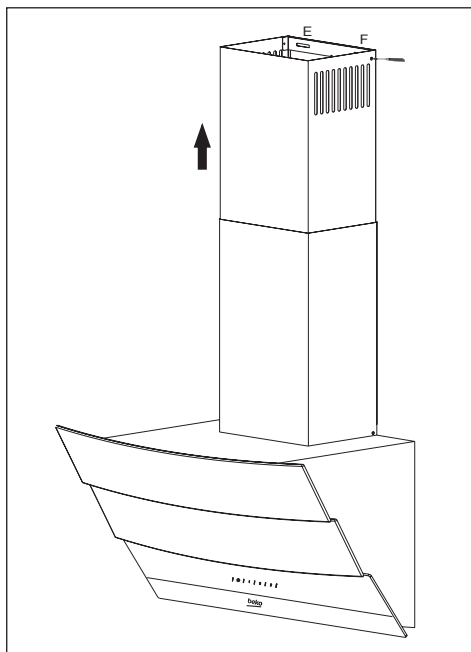
Preden se lotite inštalacije cevi za dimni plin, odklopite izdelek iz omrežne napetosti. Namestite pločevinaste dele cevi za dimni plin okoli ohišja.

Privijte zunanjo cev za dimni plin na zunanji povezovalni plošči za zunanjo cev za dimni plin, ki sta na ohišju motorja. (Slika 3b/7)



(Slika 7)

Razširite in privijte notranjo cev za dimni plin z zunanjimi robovi na povezovalno ploščo cevi za dimni plin, ki ste jo že pritrdili na steno (Slika 8).



(Slika 8)

## 3 Namestitev naprave

### 3.4.1 Uporaba s povezavo cevi za dimni plin

- Naprava odvaja hlape prek cevi za dimni plin, ki je pritrjena na povezovalno glavo na napi.
- Premer cevi za dimni plin mora biti enak premeru povezovalnega obroča. Za nemoteno odvajanje zraka iz prostora, ko je naprava urejena vodoravno, je treba cev rahlo nagniti gor (približno 10°).

### 3.4.2 Uporaba brez povezave cevi za dimni plin

- Zrak filtrira ogljikov filter; zrak se vrača v prostor. Ogljikov filter uporabite, če na ohišje ne namestite cevi za dimni plin.
- Če boste napo uporabljali brez povezave cevi za dimni plin, odstranite preusmernike v vmesniku cevi za dimni plin.
- Odstranite aluminijast filter. Ogljikov filter namestite tako, da ga namestite na sredino plastičnega dela na obeh straneh ventilatorskega ohišja in ga pritrдите na ušesca. Filter pritrđite tako, da zavrite ušesca desno ali levo.
- Namestite aluminijast filter.

## 3.5 Povezava cevi za dimni plin

Namestite priloženi vmesnik v prezračevalno odprtino zgoraj na napi. Nabavite cev s premerom 120/150 mm. Povežite en konec cevi na vmesnik in drugi konec na cev za dimni plin.

Povezavi varno pritrđite,

da se ne bosta premaknili, ko bo napa delovala s polno hitrostjo. Preverite in potrdite, da lopute v cevi za dimni plin delujejo, ko pritrđite s sponko. Namestite povezovalno cev za dimni plin na vmesnik. Če namestite povezovalno cev za dimni plin v vmesnik, naprava ne bo sesala zraka, saj se ne odprejo lopute, ki preprečujejo povratni tok zraka.

Ne priporočamo, da naredite povezave na cevi za dimni plin, povezane na štedilnik ali izpušne jaške. Ne povezujte na takšne cevi za dume pline. Cevna povezava naj bo čim krajša in naj ima čim manj cev-nih kolen.

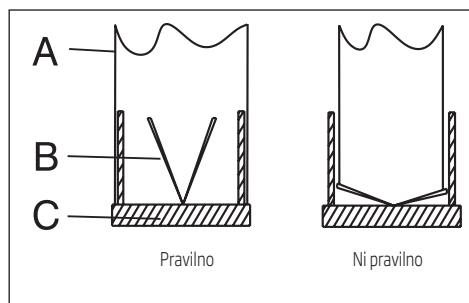
A: Cev za odvod dimnih plinov

B: Lopute, ki preprečijo povratni tok

C: Plastična cev za dimni plin

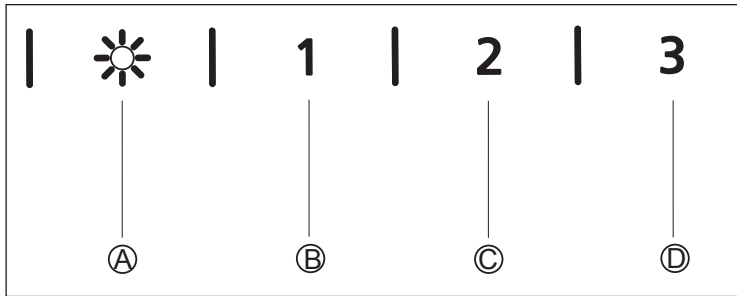
### 3.5.1 Sistem za zaščito pred povratnim tokom (N-RV)

Med obratovanjem nape so lopute zaprte tako, da preprečijo vdor od zunaj morebitnih vonjav in prahu v prostor.



(Slika 9)

## 4 Upravljanje naprave



(Slika 9)

**(A):** Tipka za vključitev/izključitev svetilke

**(B):** Tipka za 1. raven

**(C):** Tipka za 2. raven

**(D):** Tipka za 3. raven

### 4.1 Digitalno elektronsko upravljanje s 3 ravnmi

**(A) Tipka za vkl./izk. svetilke:** S pritiskom na tipko osvetlite kuhhalno površino.

**Tipka (B):** S pritiskom na to tipko zaženete napo s hitrostjo 1. ravni.

Če ponovno pritisnete na to tipko, napravo izključite in na zaslonu ugasne oznaka ravni hitrosti.

**Tipka (C):** S pritiskom na to tipko zaženete napo s hitrostjo 2. ravni.

Če ponovno pritisnete na to tipko, napravo izključite in na zaslonu ugasne oznaka ravni hitrosti.

**Tipka (D):** S pritiskom na to tipko zaženete napo s hitrostjo 3. ravni.

Če ponovno pritisnete na to tipko, napravo izključite in na zaslonu ugasne oznaka ravni hitrosti.

### Samodejna zaustavitev v 15 min:

Ta naprava ima funkcijo samodejne zaustavitve, prek katere lahko naprava prezračuje prostor dodaten čas, da odstrani neprijetne vonje in hlape iz prostora po končani kuhi. Naprava se samodejno zaustavi po določenem času.

Funkcijo samodejne zaustavitve vključite tako, da za več kot 2 sekundi pritisnete na katero koli tipko za raven hitrosti (B, C, D) na nadzorni plošči. Sistem vključi časomer, nastavljen na 15 minut.

Če še enkrat pritisnete na isto tipko za raven hitrosti, medtem ko je vključena funkcija samodejne zaustavitve, funkcijo izključite in zaustavite napravo.

S preklpom na drugo raven hitrosti napravo izključite.

Če želite, da se naprava zaustavi samodejno, ponovno vključite funkcijo samodejne zaustavitve.

### Redno čiščenje kovinskih filtrov:

Filtre je treba čistiti na približno 60 ur obratovanja ali na 4 tedne, odvisno od pogostosti uporabe.

### 4.2 Energijsko učinkovita uporaba:

- Nastavite raven hitrosti ustrezno jakosti vonjev in hlapov, da po nepotrebnem ne trošite energije.
- V normalnih pogojih nastavite majhno hitrost (1-2); ko so vonj ali hlapi močnejši, nastavite večjo hitrost (3).
- Svetilke na napi osvetlijo površino kuhanja.

Če jo boste uporabljali za osvetlitev prostora/kuhinje, boste po ne potrebnem trošili energijo za neustrezno svetlobo.

### 4.3 Upravljanje nape:

- Napa ima motor več hitrosti.
- Za boljše rezultate priporočamo, da nastavite manjše hitrosti v normalnih pogojih in večje hitrosti, ko so vonji in hlapi močnejši.
- S pritiskom na to tipko zelene ravni hitrosti (B, C, D) zaženete napa.
- S pritiskom na tipko za svetilko osvetlite kuhalno površino. (A)

## 5 Čiščenje in vzdrževanje

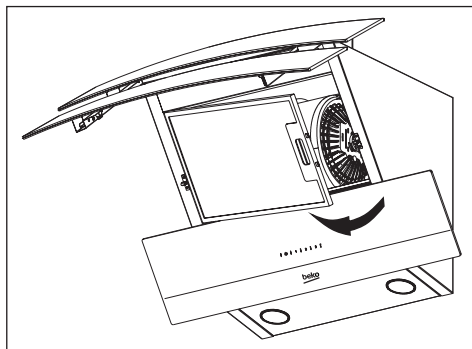
Pred čiščenjem in vzdrževanjem odklopite napravo in izključite glavno stikalo ali odklopite varovalko, ki napaja napo.

### 5.1 Aluminijast filter

Ta filter zajame oljne delce iz zraka. Priporočamo, da v normalnih pogojih filter očistite vsak mesec. Najprej odstranite aluminijasta filtra. Operite filtra s tekočim čistilom in ju sperite z vodo; ko se posušita, ju namestite nazaj na mesto. Aluminijasta filtra se zaradi pranja lahko razbarvata; to je normalno in filtra ni treba zamenjati.

#### 5.1.1 Odstraniti aluminijasta filtra

1. Potisnite naprej zapiralo za aluminijasti filter.
2. Nato ga rahlo dvignite in potisnite naprej. Pazite, da filtra ne zvijete. (Slika 10) Ko aluminijast filter operete in posušite, filter namestite nazaj v režo v obratnem vrstnem redu navodil zgoraj.



(Slika 10)



Aluminijasta filtra lahko perete v pomivalnem stroju.

### Ogljikov filter (brez cevi za dimni plin)

Ta filter odstrani vonje, nastale med kuho. Če ni možno namestiti cevi za dimne pline, ta filter očisti zrak, ki kroži po kuhinji. Ogljikov filter v napravi se s časom zamaši, odvisno od pogostosti uporabe, načina kuhanja in rednega čiščenja aluminijastih filtrov.



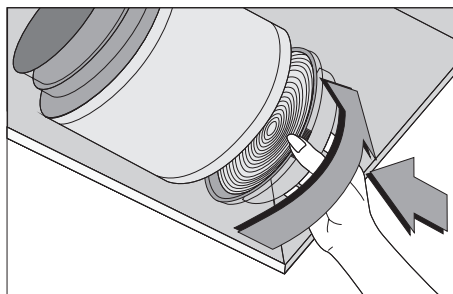
#### Pozor!

Ogljikovega filtra ni dovoljeno prati.

**Ogljikove filtre lahko nabavite na pooblaščenem servisu Beko.**

#### 5.2.1 Zamenjava ogljikovega filtra

- Odstranite aluminijasta filtra. (Slika 10)
- Ogljikov filter odstranite tako, da zavrtite ušesca v nasprotni smeri urnega kazalca in filter iztaknete. (Slika 11)
- Namestite nov ogljikov filter.
- Namestite nazaj aluminijasta filtra.



(Slika 11)

V filterih, ki očistijo vonje, je oglje (aktivni ogljik). Filtre je treba menjati približno na 6 mesecev.

Tudi če ogljikovega filtra ne uporabljate, obvezno namestite aluminijasta filtra.

Naprave ne vključite, če nista aluminijasta filtra na mestu. Z uporabo ogljikovega filtra zmanjšate sesalne zmožnosti naprave.

## 5 Čiščenje in vzdrževanje

### 5.3 Čiščenje

Napo obvezno očistite po cvrtju.

Z mehko krpo, namočeno v tekoče čistilo, obrišite zunanjo površino nape.

V nobenem primeru ni dovoljeno čistiti s strgalnimi materiali.

Čistite lahko z običajnimi čistili za trdovratno maščobo itd.; upoštevajte opozorila na izdelku. Brišite v smeri sledi, da ne popraskate ohišja iz krtačnega jekla.

Ni dovoljeno čistiti s čistili, ki vsebujejo solno kislino, belilo ali strgalni prah, da ne poškodujete površine izdelka. Površine iz nerjavnega jekla obrišite s krpo, namočeno v milnico, ali posebno čistilno razpršilo za nerjavno jeklo. Z naprave snemite zaščitno folijo.



#### Pozor!

Nevarnost požara, če ne upoštevate navodil za čiščenje in zamenjavo filtrov nape.

Pred prenašanjem in prevozom naprave:

- Shranite originalno embalažo naprave. Napravo prenašajte in prevažajte, zapakirano v originalno embalažo, in upoštevajte oznake za prenašanje in prevoz na originalni embalaži.

#### Če nimate originalne embalaže:

- Ne odložite predmetov na napo.
- Zavarujte zunanjo površino pred udarci.
- Napravo zapakirajte tako, da se med prenašanjem in prevozom ne bo poškodovala.

### 5.4 Zamenjava svetilk

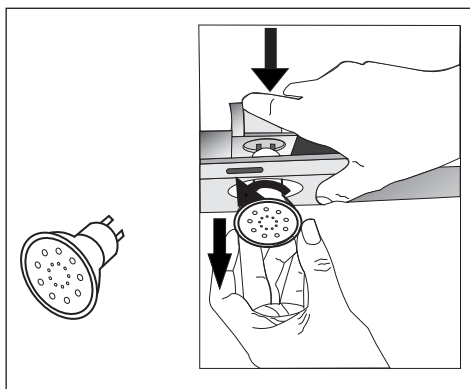
Izključite napravo iz omrežne napetosti.

Ta naprava je opremljena s 3-W LED-svetilkami.

LED-svetilke zamenjajte tako, da na hrbtni strani nosilca svetilke svetilko potisnete navzdol, da jo sprostite.

Nato jo zavrtite v nasprotni smeri urnega kazalca za 1/4 obrata in vzemite ven.

Novo svetilko namestite v obratnem vrstnem redu navodil zgoraj.



Svetilke nabavite na pooblaščenem servisu.



# Túto príručku si prečítajte ako prvú!

Vážený zákazník,

Ďakujeme vám, že ste si vybrali produkt značky Beko. Dúfame, že dosiahnete najlepšie výsledky so svojim produktom, ktorý sa vyrobil s vysokou kvalitou a najmodernejšou technológiou. Preto vám odporúčame, aby ste si túto používateľskú príručku a iné sprievodné dokumenty prečítali pred použitím výrobku celé a aby ste si ich odložili pre referenciu v budúcnosti. Ak rúru prevediete na inú osobu, dajte tejto osobe aj užívateľskú príručku. Riad'te sa všetkými varovaniami a informáciami užívateľskej príručky.

Pamätajte si, že táto užívateľská príručka sa môže vzťahovať aj na niektoré ďalšie modely. Rozdiely medzi modelmi sú v príručke presne vymedzené.

## Vysvetlivky k symbolom

V celej užívateľskej príručke sa používajú nasledujúce symboly:



Dôležité informácie alebo užitočné tipy pre používanie.



Varovanie pre nebezpečné situácie s ohľadom na život a majetok.



Varovanie pred zásahom elektrickým prúdom.



Tento produkt sa vyrobil za použitia najmodernejšej technológie v podmienkach šetrných na životné prostredie.

Táto časť obsahuje bezpečnostné pokyny, ktoré vám pomôžu vás ochrániť pred rizikom fyzického zranenia alebo škody na majetku. Všetky záruky strácajú platnosť v prípade nedodržiavania týchto pokynov.

## 1.1 Všeobecná bezpečnosť

- Inštalačné a opravárenské úkony vždy zverujte do rúk autorizovaného servisného technika. Výrobca nebude niesť zodpovednosť za škody vyvstávajúce z úkonov realizovaných neoprávnenými osobami.
- Tento spotrebič nie je určený na použitie osobami (vrátane detí) so zníženými fyzickými, vnemovými a duševnými schopnosťami, prípadne nedostatkom skúseností alebo znalostí. Na deti je potrebné dohliadať, aby sa nehrali so spotrebičom.

### 1.1.1 Elektrická bezpečnosť

- Pred realizáciou inštalácie, údržby, čistenia alebo opravy produkt odpojte od napájacieho zdroja.

- Ak je napájací kábel poškodený, musí ho vymeniť výrobca, jeho servisné stredisko alebo iná náležite kvalifikovaná osoba (podľa možnosti elektrikár), prípadne osoba ustanovená importérom, aby nemohlo dôjsť k ublíženiu na zdraví.
- Prevádzkové napätie je 220 až 240 V.
- Ak dôjde k poruche spotrebiča, nesmie sa prevádzkovať, kým sa nepodrobí oprave autorizovaným servisným technikom. Hrozí riziko zásahu elektrickým prúdom!
- Napájacie káble neved'te v blízkosti varných platní. V opačnom prípade môže dôjsť k požiaru, pretože napájací kábel sa ľahko roztaví.
- Digestor nikdy nezapájajte, kým inštalácia nie je dokončená. zahnutia a jeho priemer musí byť min.  $\varnothing 120$  mm. Ak sa má dosiahnuť optimálny výkon, externý vodič nesmie byť dlhší ako 4 m, nesmie obsahovať viac ako 2 kolmé ( $90^\circ$ )
- Pred manipuláciou s internými dielmi spotrebiča najskôr odpojte zdroj napájania.

## 1.1.2 Produktová bezpečnosť

- Na pripojenie digestora k vetraciemu kanálu použite potrubie s priemerom 120 mm alebo 150 mm.
- Výrobok nepripájajte k vetracím kanálom, ku ktorým sú pripojené sporáky, vývodným šachtám ani vetracím kanálom so vzostupným plameňom. Dodržiavajte pravidlá, ktoré ustanovili miestne orgány pre výtlak odvádzaného vzduchu.
- Výška medzi spodným povrchom digestora a horným povrchom sporáka/rúry nesmie byť menšia ako 65 cm.
- Digestor neprevádzkujte bez hliníkových filtrov a filtre nevyberajte počas prevádzky.
- Nikdy sa nedotýkajte žiarivky digestora po dlhom období prevádzky. Horúce žiarivky vám môžu popáliť ruku.
- Dávajte pozor, aby pod produktom nevznikal silný plameň. V opačnom prípade sa čiastočky v olejovom filtri môžu vznietiť a spôsobiť požiar.
- Varné platne zapínajte až po tom, ako na ne položíte hrnce alebo panvice. V opačnom prípade stúpajúce teplo môže poškodiť určité súčasti produktu.
- Pred odstránením hrncov alebo panvíc vypnite varné platne.
- Pod digestor neumiestňujte horľavé materiály.
- Pri vysmázaní jedla sa olej môže vznietiť. Preto si dávajte pozor na odevy a záclony.
- Pri smažení jedla nikdy neponechávajte sporák bez dozoru; v opačnom prípade vriaci olej môže spôsobiť požiar.
- Ak sa digestor nečistí v špecifikovaných intervaloch, hrozí riziko požiaru.
- Pri čistení digestora si dávajte veľký pozor a na ruky si nasadte rukavice.
- Odporúčame vám spotrebič ponechať v činnosti pár minút pred zahájením varenia, aby sa zvýšil sací výkon. Tým sa dosiahne kontinuálny a stabilný sací výkon na zachytávanie stúpajúcich pár.
- Digestor ponechajte v činnosti 15 minút po skončení varenia alebo smaženia, aby ste kuchyňu zbavili zápachu.

- Keď sa digestor používa, najmä v kombinácii s plynovými varičmi, uistite sa, že priestor sa vetrá čerstvým vzduchom.
- Dávajte pozor, aby ste spotrebič neprípájali k vetracím kanálom používaným zariadeniami inej ako elektrickej povahy. (Príklad: vetrací kanál ohrievača).
- Keď sa zariadenie inej ako elektrickej povahy používa súčasne v rovnakej miestnosti spolu s digestorom, podtlak v miestnosti musí dosahovať max. 0,4, aby sa zabránilo spätnému nasávaniu vzduchu odvádzaného druhým zariadením späť do miestnosti.

## 1.1.3 Bezpečnosť detí

- Baliace materiály sú pre deti nebezpečné. Baliace materiály uschovajte na bezpečnom mieste mimo dosahu detí.
- Elektrické spotrebiče sú pre deti nebezpečné. Deti držte v bezpečnej vzdialenosti od produktu. Nedovoľte deťom hrať sa so spotrebičom.

## 1.2 Určené použitie

- Tento spotrebič je určený na použitie v domácnosti. Nie je vhodný na komerčné použitie a nesmie sa používať nad rámec určeného použitia.
- Výrobca nebude niešť zodpovednosť za žiadne škody spôsobené nevhodným používaním alebo manipuláciou.
- Prevádzková životnosť spotrebiča je 10 rokov. Toto je aj obdobie nevyhnutnej dostupnosti náhradných dielov na zabezpečenie funkčnosti produktu.

## 1.3 Súlad s nariadením WEEE a likvidácia vyradeného produktu



Tento produkt neobsahuje škodlivé ani zakázané materiály charakterizované v „Smernici o obmedzení používania určitých nebezpečných látok vo vyradených elektrických a elektronických zariadeniach“ (WEEE) vydanéj T.R. Ministerstvom životného prostredia a mestského plánovania.

Je v súlade s nariadením WEEE.

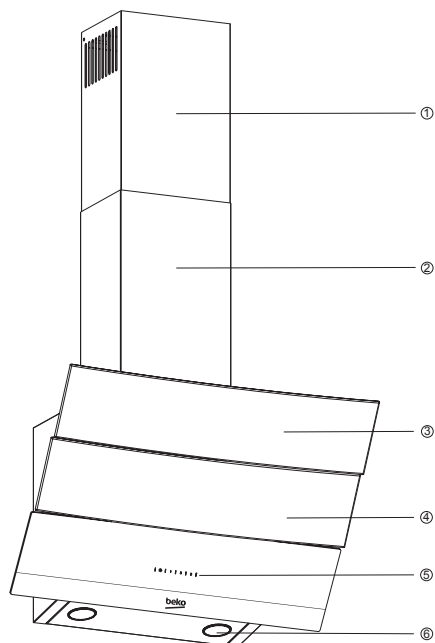
Tento produkt sa vyrobil z vysokokvalitných dielov a materiálov, ktoré sa dajú opätovne použiť a sú vhodné pre recykláciu. Z tohto dôvodu nelikvidujte produkt na konci jeho životnosti s bežným komunálnym odpadom. Odneste ho na zberné miesto pre recykláciu elektrického a elektronického vybavenia. O lokalite najbližšie zberného miesta vás informujú miestne úrady. Recykláciou produktov prispievate k ochrane životného prostredia a prírodných zdrojov.

## 1.4 Informácie o balení



Balenie produktu je vyrobené z recyklovateľných materiálov v súlade s národnou legislatívou. Odpadový baliaci materiál nelikvidujte spolu s komunálnym alebo iným odpadom a odvezte ho do lokalít zberu obalových materiálov ustanovených miestnymi úradmi.

## 2 Technické parametre spotrebiča



1. Interný vetrací kanál
2. Externý vetrací kanál
3. Sklenený kryt
4. Filter (pod skleneným krytom)
5. Ovládací panel
6. Osvetlenie

(obrázok 1)

	HCA 92640 BH	HCA 92640 WH	HCA 62640 W	HCA 62640 WH
Šírka	896 mm	896 mm	596 mm	596 mm
Hĺbka	393 mm	393 mm	386 mm	386 mm
Výška	750 mm / 1130 mm	750 mm / 1130 mm	750 mm / 1080 mm	750 mm / 1080 mm
Privádzané napätie	220 - 240 V, 50 Hz	220 - 240 V, 50 Hz	220 - 240 V, 50 Hz	220 - 240 V, 50 Hz
Regulácia	S 3 úrovňami	S 3 úrovňami	S 3 úrovňami	S 3 úrovňami
Výkon žiarivky	2 x 3 W	2 x 3 W	2 x 3 W	2 x 3 W
Potrúbie vzduchového vývodu	120 / 150 mm	120 / 150 mm	120 / 150 mm	120 / 150 mm
Kapacita	577 m <sup>3</sup> /h	577 m <sup>3</sup> /h	537 m <sup>3</sup> /h	537 m <sup>3</sup> /h
Výkon motora	1 x 210 W	1 x 210 W	1 x 210 W	1 x 210 W
Celkový výkon	216 W	216 W	216 W	216 W
Hmotnosť netto	13 kg	13 kg	10,4 kg	10,4 kg
Farba	Čierna	Biela	Biela	Biela

Hodnoty uvedené na produktových štítkoch alebo v sprievodnej dokumentácii boli namerané v laboratórnych podmienkach podľa príslušných štandardov. Tieto hodnoty sa môžu líšiť v závislosti od podmienok prevádzky a prostredia, v ktorom sa produkt používa.

## 2 Technické parametre spotrebiča

	HCA 62640 B	HCA 62640 BH	HCA 62540 B	HCA 92540 B
Šírka	596 mm	596 mm	596 mm	896 mm
Hĺbka	386 mm	386 mm	386 mm	393 mm
Výška	750 mm /1080 mm	750 mm /1080 mm	750 mm /1080 mm	750 mm /1130 mm
Privádzané napätie	220 - 240 V, 50 Hz	220 - 240 V, 50 Hz	220 - 240 V, 50 Hz	220 - 240 V, 50 Hz
Regulácia	S 3 úrovňami	S 3 úrovňami	S 3 úrovňami	S 3 úrovňami
Výkon žiarivky	2 x 3 W	2 x 3 W	2 x 3 W	2 x 3 W
Potrubié vzduchového vývodu	120 / 150 mm	120 / 150 mm	120 / 150 mm	120 / 150 mm
Kapacita	537 m <sup>3</sup> /h	537 m <sup>3</sup> /h	566 m <sup>3</sup> /h	566 m <sup>3</sup> /h
Výkon motora	1 x 210 W	1 x 210 W	1 x 210 W	1 x 210 W
Celkový výkon	216 W	216 W	216 W	216 W
Hmotnosť netto	10,4 kg	10,4 kg	10,4 kg	13 kg
Farba	Čierna	Čierna	Čierna	Čierna

	HCA 62641 BH	HCA 62641 WH	HCA 92641 BH	HCA 92641 WH
Šírka	596 mm	596 mm	896 mm	896 mm
Hĺbka	386 mm	386 mm	393 mm	393 mm
Výška	750 mm /1080 mm	750 mm /1080 mm	750 mm /1130 mm	750 mm /1130 mm
Privádzané napätie	220 - 240 V, 50 Hz	220 - 240 V, 50 Hz	220 - 240 V, 50 Hz	220 - 240 V, 50 Hz
Regulácia	S 3 úrovňami	S 3 úrovňami	S 3 úrovňami	S 3 úrovňami
Výkon žiarivky	2 x 3 W	2 x 3 W	2 x 3 W	2 x 3 W
Potrubié vzduchového vývodu	120 / 150 mm	120 / 150 mm	120 / 150 mm	120 / 150 mm
Kapacita	638 m <sup>3</sup> /h	638 m <sup>3</sup> /h	648 m <sup>3</sup> /h	648 m <sup>3</sup> /h
Výkon motora	1 x 210 W	1 x 210 W	1 x 210 W	1 x 210 W
Celkový výkon	216 W	216 W	216 W	216 W
Hmotnosť netto	10,4 kg	10,4 kg	13 kg	13 kg
Farba	Čierna	Biela	Čierna	Biela

## 3 Inštalácia spotrebiča

Ohľadom inštalácie digestora sa poraďte s najbližším **autorizovaným servisným technikom**.

\*Príprava na umiestnenie a elektrická inštalácia produktu je v zodpovednosti zákazníka.



### Pozor!

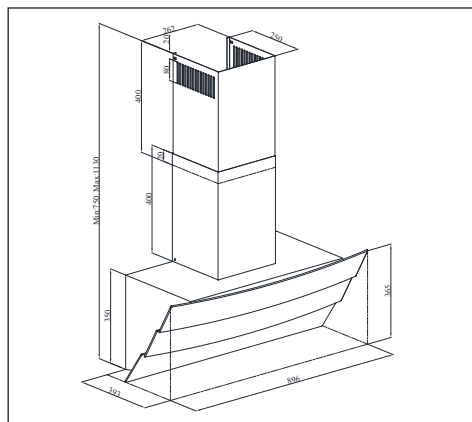
Po inštalácii z digestora a vetracieho kanálu odstráňte ochranný povlak (ak je prítomný).

Vzdialenosť medzi spodným povrchom digestora a horným povrchom varnej platne nesmie byť menšia ako **65 cm**.

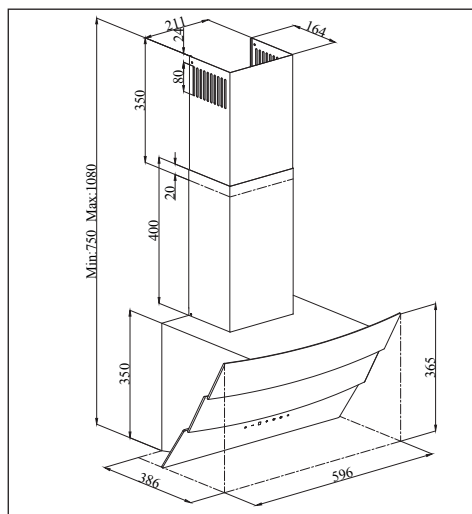
Elektrické zapojenie zverte do rúk kvalifikovaného elektrikára.

Spotrebič nainštalujte tak, aby bola napájacia prípojka (zástrčka, zásuvka) po inštalácii ľahko dostupná.

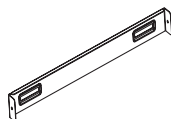
Rozmery sa udávajú v mm.



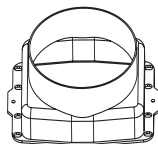
(obrázok 2)



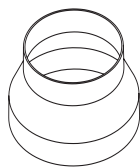
### 3.1 Inštalačné príslušenstvo



1 x platňa pripojenia vetracieho kanálu



1 x Ø150 mm plastový vetrací kanál



1 x Ø120/150 mm plastový adaptér pre vetrací kanál

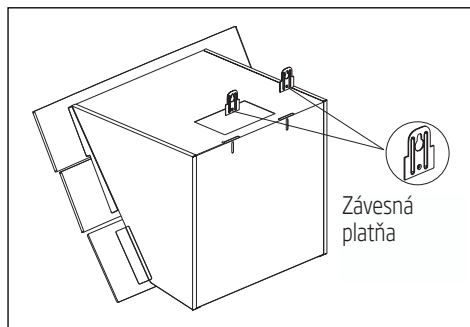


## 3 Inštalácia spotrebiča

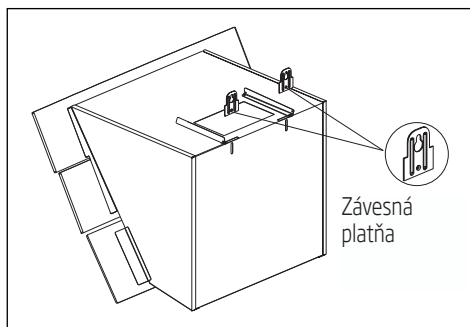
Nižšie uvádzame informácie nevyhnutné na prípravu miesta inštalácie digestora.

### 3.2 Montáž digestora na stenu

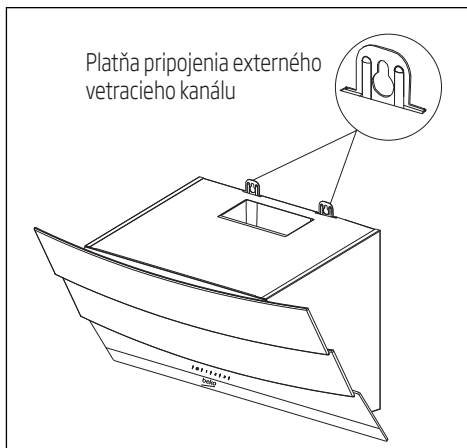
Ak chcete digestor namontovať na stenu, povoľte skrutky závesných platní na puzdre motora a platne potiahnite nahor. Potom zatiahnite skrutky závesných platní. **(obrázok 3a).**



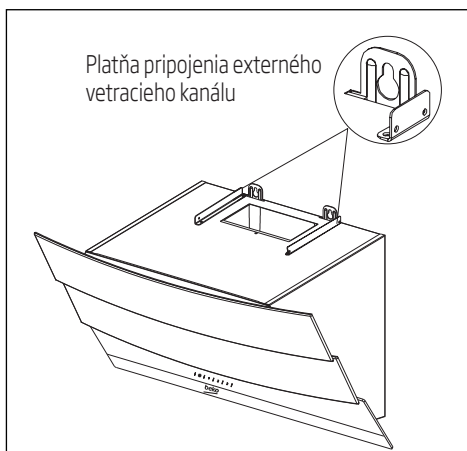
(obrázok 3a - 60)



(obrázok 3a - 90)



(obrázok 3b - 60)

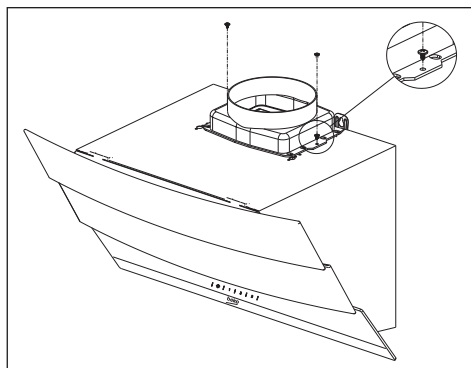


(obrázok 3b - 90)

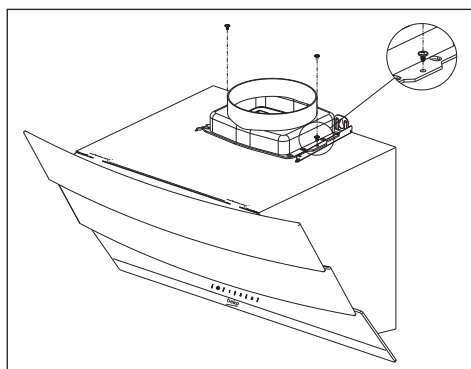
Upevnite  $\varnothing 150$  mm plastový adaptér vetracieho kanálu k hornej časti telesa pomocou pribalenej 3,5x9,5 skrutky **(obrázok 4)**.

Ak budete používať  $\varnothing 120$  mm trubicu vetracieho kanálu, nainštalujte na ňu  $\varnothing 120$  mm adaptér vetracieho kanálu.

### 3 Inštalácia spotrebiča



(obrázok 4 - 60)

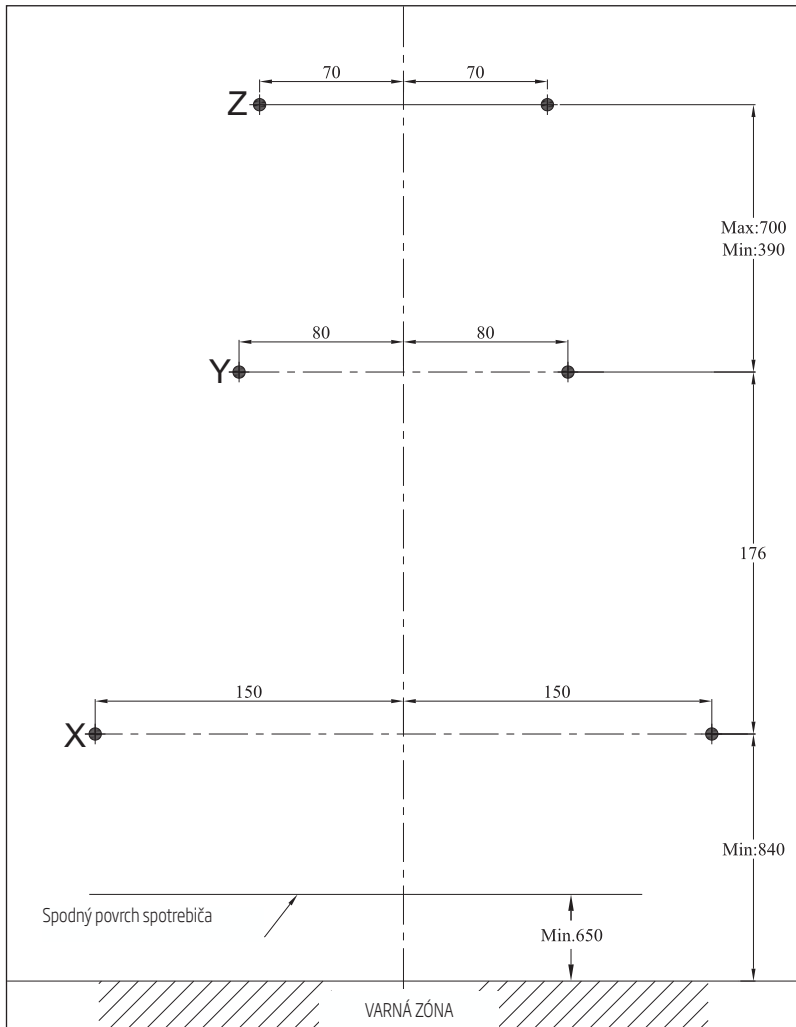
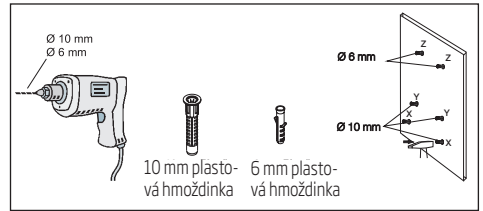


(obrázok 4 - 90)

## 3 Inštalácia spotrebiča

### 3.2.1 Vŕtanie závesných otvorov

Upevnite inštaláčnú šablónu na miesto inštalácie digestora. Vyvŕtajte diery v bodoch označených symbolmi (X,Y) (obrázok 5) pomocou  $\varnothing 10$  mm vŕtáku a bodoch označených symbolom (Z) (obrázok 5) pomocou  $\varnothing 6$  mm vŕtáku.



(obrázok 5)

## 3 Inštalácia spotrebiča

### 3.2.2 Pribitie hmoždiniiek kladivom

Kladivom pribite  $\varnothing$  10 mm hmoždinky (X,Y) do otvorov vyvrtaných pre závesné skrutky. Kladivom pribite 2 x  $\varnothing$  6 mm hmoždinky (Z) do otvorov vyvrtaných  $\varnothing$ 6 mm vrtákom pre pripojovaciu platňu externého vetracieho kanálu. **(obrázok 5)**

### 3.2.3 Montáž závesných skrutiek

Zaskrutkujte 5,5x60 závesné skrutky do  $\varnothing$ 10 mm hmoždiniiek (Y), ktoré ste kladivom pribili do steny. Medzi hlavícou skrutky a stenou musí zostať 5 mm medzera. **(obrázok 6)**

Pripevnite pripojovaciu platňu interného vetracieho kanálu k 6 mm hmoždinkám (Z) v stene pomocou  $\varnothing$  3,9x22 skrutiek. **(obrázok 6)**



**(obrázok 6)**

### 3.2.4 Zavesenie digestora na stenu

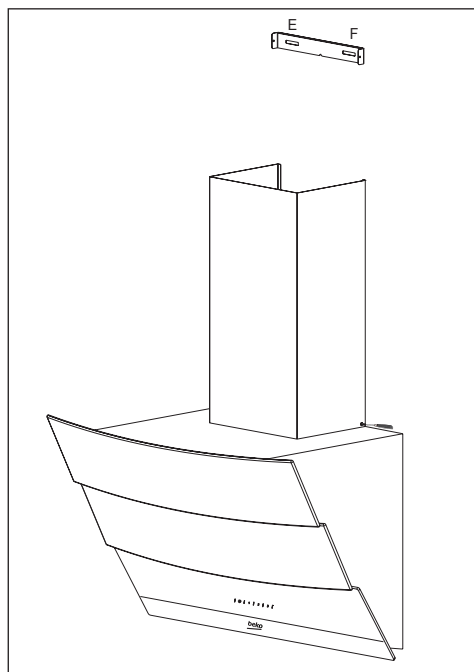
- Digestor zaveste na skrutky, ktoré ste zaviedli do otvorov Y.
- Otvorte bočné nasávacie okienko digestora potiahnutím k sebe. Spotrebič upevnite zavedením 5,5x60 skrutiek do otvorov X nachádzajúcich sa vo vnútri.

## 3 Inštalácia spotrebiča

### 3.3 Montáž vetracieho kanálu digestora

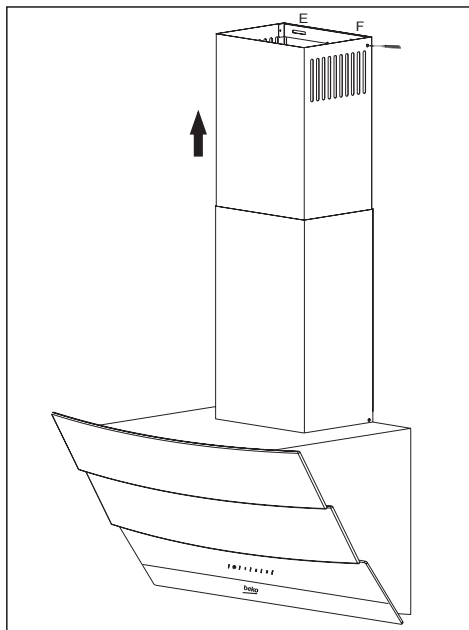
Pred zahájením montáže vetracieho kanálu odpojte produkt od zdroja napájania. Osadte diely vetracieho kanálu z kovových platní okolo telesa.

Priskrutkujte externý vetrací kanál k pripojovacím platniam externého vetracieho kanálu umiestneným na puzdre motora. **(obrázok 3b/7)**



(obrázok 7)

Vysuňte a priskrutkujte interný vetrací kanál od vonkajších okrajov na pripojovaciu platňu vetracieho kanálu, ktoré bola pripevnená k stene **(obrázok 8)**.



(obrázok 8)

## 3 Inštalácia spotrebiča

### 3.4.1 Používanie s pripojením k vetraciemu kanálu

- Výpary sa odvádzajú cez potrubie vetracieho kanálu, ktoré je upevnené k pripojovacej hlavicí na digestore.
- Priemer potrubia vetracieho kanálu sa musí rovnať priemeru pripojovacieho kruhu. Ak sa má zabezpečiť jednoduché odvádzanie vzduchu z miestnosti pri horizontálnom usporiadaní, potrubie je potrebné mierne nakloniť nahor (pod uhlom pribl. 10°).

### 3.4.2 Používanie bez pripojenia k vetraciemu kanálu

- Vzduch sa filtruje karbonovým filtrom a prinaracia späť do miestnosti. Karbonový filter sa používa v prípade, ak sa v dome nenachádza vetrací kanál.
- Ak sa bude digestor používať bez pripojenia k vetraciemu kanálu, odstráňte zvädzače z vnútra adaptéra vetracieho kanálu.
- Odstráňte hliníkový filter. Ak chcete nainštalovať karbonový filter, vycentrujte karbonový filter na plastovom dieli po oboch stranách telesa ventilátora a upevnite ho na výstupkoch. Filter upevnite otáčaním výstupkov doprava alebo doľava.
- Namontujte hliníkový filter.

## 3.5 Pripojenie k vetraciemu kanálu:

Adaptér dodávaný spolu s digestorom umiestnite do vetracieho otvoru v hornej časti digestora. Obstarajte si potrubie s priemerom 120/150 mm. Jeden koniec potrubia pripojte k adaptéru a druhý koniec k vetraciemu kanálu.

Uistite sa, že tieto dve pripojenia sú dostatočne pevné na to, aby sa pri prevádzke digestora pri max. otáčkach spojenie neuvolnilo. Skontrolujte, či sú záslepky vo vnútri vetracieho kanála funkčné pri zatiahnutí pomocou svorky. Nasadíte potrubie vetracieho kanálu na adaptér. Ak osadíte pripojovacie potrubie vetracieho kanálu do vnútra adaptéra, nebude dochádzať k odsávaniu vzduchu, pretože záslepky brániace v spätnom prietoku vzduchu zostanú uzavreté.

Neodporúča sa produkt pripájať k vetracím kanálom, ku ktorým sú už pripojené sporáky alebo odvádzacie šachty. Produkt nepripájajte k takýmto vetracím kanálom. Potrubné pripojenie musí byť čo najkratšie a mať čo najmenej kľbov.

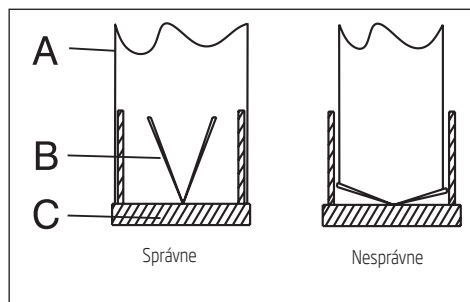
A: Vývodné potrubie vetracieho kanála

B: Záslepky brániace v spätnom prietoku

C: Plastový vetrací kanál

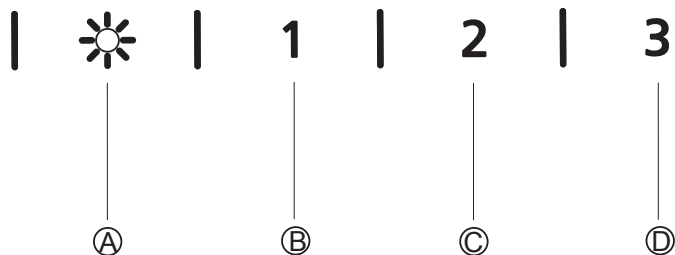
### 3.5.1 Systém na prevenciu spätného toku (N-RV)

Keď je digestor v prevádzke, záslepky sú uzavreté, aby do prostredia neprenikali zápachy a prach zvonka.



(obrázok 9)

## 4 Obsluha spotrebiča



(obrázok 9)

**(A):** Tlačidlo zapnutia/vypnutia žiarivky

**(B):** Tlačidlo 1. úrovne

**(C):** Tlačidlo 2. úrovne

**(D):** Tlačidlo 3. úrovne

### 4.1 Digitálna elektronická regulácia s 3 úrovňami

#### **(A) Tlačidlo zapnutia/vypnutia žiarivky:**

Varnú oblasť môžete osvetliť stlačením tohto tlačidla.

**Tlačidlo (B):** Stlačením tohto tlačidla môžete digestor spustiť s otáčkami na úrovni 1.

Keď toto tlačidlo stlačíte znova pre vypnutie spotrebiča, signalizácia úrovne otáčok zmizne z displeja.

**Tlačidlo (C):** Stlačením tohto tlačidla môžete digestor spustiť s otáčkami na úrovni 2.

Keď toto tlačidlo stlačíte znova pre vypnutie spotrebiča, signalizácia úrovne otáčok zmizne z displeja.

**Tlačidlo (D):** Stlačením tohto tlačidla môžete digestor spustiť s otáčkami na úrovni 3.

Keď toto tlačidlo stlačíte znova pre vypnutie spotrebiča, signalizácia úrovne otáčok zmizne z displeja.

#### **Automatické zastavenie o 15 min.:**

Tento spotrebič je vybavený funkciou automatického zastavenia, ktorá umožňuje spotrebiču vyvetrať miestnosť po predĺžené časové obdobie za účelom odstránenia nepríjemného zápachu a výparov z miestnosti po dokončení varenia. Spotrebič sa po určitom čase automaticky zastaví.

Ak chcete aktivovať funkciu automatického zastavenia, stlačte ľubovoľné z tlačidiel úrovne otáčok (B, C, D) na ovládacom paneli a podržte ho stlačené 2 sekundy. Aktivuje sa 15 minútový časovač.

Ak stlačíte rovnaké tlačidlo úrovne otáčok, kým je aktivovaná funkcia automatického zastavenia, funkcia sa vyradí a spotrebič sa zastaví.

Ak vyberiete inú úroveň otáčok, funkcia sa vyradí.

Ak chcete, aby sa váš spotrebič zastavil automaticky, musíte znova aktivovať funkciu automatického zastavenia.

#### **Pravidelné čistenie kovových filtrov:**

Filtre je potrebné čistiť po približne každých 60 hodinách prevádzky alebo 4 týždňoch v závislosti od frekvencie používania.

### 4.2 Energeticky úsporné použitie

- Pri obsluhu digestora úroveň otáčok nastavte podľa intenzity zápachu a tvorby pár, aby ste sa vyhli nadmernej spotrebe elektrickej energie.
- Za normálnych podmienok používajte nízke otáčky (1-2) a vysoké otáčky (3) zvolte v prípade intenzívneho zápachu a tvorby pár.
- Žiarivky na digestore slúžia na osvetlenie priestoru varenia.
- Ich používanie na osvetľovanie kuchyne/okolia spôsobí plytvanie elektrickou energiou a súčasne nedostatočné osvetlenie.

### 4.3 Obsluha digestora:

- Digestor je vybavený motorom s rôznymi nastaveniami otáčok.
- V záujme optimálneho výkonu za normálnych podmienok používajte nízke otáčky a vysoké otáčky zvolte v prípade intenzívneho zápachu a tvorby pár.
- Digestor môžete spustiť stlačením tlačidla požadovanej úrovne otáčok (B,C,D).
- Varnú oblasť môžete osvetliť stlačením tlačidla osvetlenia. (A)



## 5 Čistenie a údržba

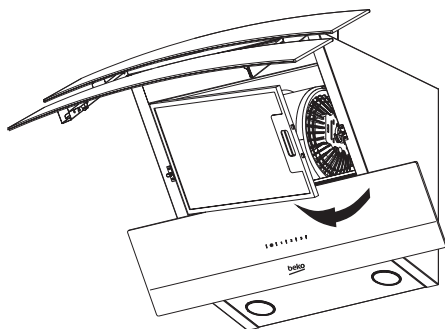
Pred čistením a údržbou odpojte spotrebič alebo otočte hlavný vypínač do polohy vyp., prípadne povoľte poistku, ktorá privádza elektrickú energiu do digestora.

### 5.1 Hliníkový filter

Tento filter zachytáva olejové častice zo vzduchu. Tento filter vám odporúčame čistiť za bežných podmienok raz mesačne. Pri tomto procese najskôr odstráňte hliníkové filtre. Filtre umyte tekutým detergentom, opláchnite ich vo vode a po vysušení ich namontujte späť. Hliníkové filtre sa pri umývaní môžu odfarbiť; toto je však normálne a nevyžaduje si to výmenu filtra.

#### 5.1.1 Demontáž hliníkových filtrov

1. Zámku hliníkového filtra zatlačte dopredu.
2. Potom ju mierne spustíte nadol a potiahnite dopredu. V opačnom prípade sa filter ohne. **(obrázok 10)** Po umytí a vysušení hliníkový filter zaveďte späť do príslušnej drážky vykonaním uvedeného postupu v opačnom poradí krokov.



(obrázok 10)



Hliníkové filtre je možné umývať aj v umývačke riadu.

Karbónový filter (používanie bez vetracieho kanálu)

Tento filter zachytáva zápachy vznikajúce pri varení. Ak nie je možné použiť vetrací kanál, prečisťuje vzduch, ktorý koluje v kuchyni. Karbónový filter vášho spotrebiča sa časom upcháva, v závislosti od frekvencie používania, spôsobu varenia a pravidelnosti čistenia hliníkových filtrov.



#### Pozor!

Karbónový filter sa nikdy nesmie umývať.

**Karbónové filtre môžete zakúpiť u autorizovaných servisných zástupcov spoločnosti Beko.**

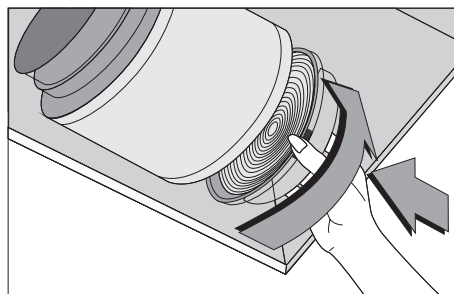
#### 5.2.1 Výmena karbónového filtra

Odstráňte hliníkové filtre. (obrázok 10)

Ak chcete odstrániť hliníkový filter, otočením výstupkov proti smeru hodinových ručičiek uvoľnite filter. (obrázok 11)

Namontujte nový karbónový filter.

Namontujte hliníkové filtre.



(obrázok 11)

Protizápachové filtre obsahujú drevené uhlie (aktívny karbón).

Musia sa vymieňať v približne 6-mesačných intervaloch.

Hliníkové filtre musia byť vždy osadené bez ohľadu na to, či sa používa karbónový filter alebo nie.

## 5 Čistenie a údržba

Spotrebič neprevádzkujte bez osadeného hliníkového filtra. Pri používaní karbónového filtra klesne sací výkon spotrebiča.

### 5.3 Čistenie

Digestor nezabúdajte vyčistiť bezprostredne po dokončení smaženia.

Vonkajší povrch digestora vyčistíte jemnou tkaninou navlhčenou v tekutom detergente.

Pri čistení nikdy nepoužívajte abrazívne alebo drsné materiály.

Na odstránenie odolnej mastnoty môžete použiť komerčne dostupné čistiace prostriedky, pričom však dodržiavajte výstražné pokyny na produkte. Ak chcete zabrániť poškrabaniu telesa z brúsenej ocele, utierajte v smere výbrusu.

V záujme zachovania povrchovej kvality produktu nepoužívajte čistiace prostriedky s obsahom kyseliny chlorovodíkovej, bielidlo ani abrazívne prášky. Použite tkaninu navlhčenú v mydlovej vode alebo špeciálny sprej na čistenie nehrdzavejúcej ocele určený na tento typ povrchov. Zo spotrebiča odstráňte ochranný povlak.



#### Pozor!

V prípade nedodržania pokynov na čistenie a výmenu filtrov v digestore môže dôjsť k vzniku požiaru.

Ak potrebujete spotrebič prepraviť:

- Ponechajte si originálny obal spotrebiča. Spotrebič prepravujte v pôvodnom obale a dodržiavajte pokyny vyplývajúce z významu prepravných značiek na pôvodnom obale.

#### Ak nemáte pôvodný obal:

- Na digestor neukladajte žiadne predmety.
- Vonkajšie povrchy chráňte pre nárazmi.
- Spotrebič zabalte tak, aby sa pri preprave nepoškodil.

### 5.4 Výmena žiariviek

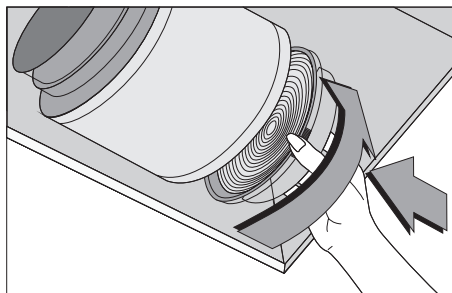
Digestor odpojte od zdroja napájania.

Tento spotrebič je vybavený tromi 3W diódami LED.

Ak chcete diódy LED vymeniť, stlačte diódu dolu zo zadnej časti držiaka a uvoľnite ju.

Potom ju otočte o 1/4 otáčky proti smeru hodinových ručičiek a odstráňte ju.

Pri montáži nových žiariviek vykonajte vyššie uvedený postup v opačnom poradí krokov.



Žiarivky môžete zakúpiť u autorizovaných servisných agentov.

# Перед використанням прочитайте цей посібник!

Шановний покупцю,

дякуємо за вибір продукції Веко. Ми сподіваємося, що Ви отримаєте найкращі результати від використання продукту, який вироблено з використанням високоякісних матеріалів і найсучасніших технологій. Саме тому просимо Вас уважно прочитати цей посібник користувача та всю іншу супроводжувальну документацію від початку до кінця перед використанням продукту і зберігати її для використання у майбутньому. Передавати продукт для використання іншій особі необхідно разом із посібником користувача. Дотримуйтесь всіх попереджень і візьміть до уваги інформацію, подану в посібнику користувача.

Пам'ятайте, цей посібник користувача може також використовуватися для інших моделей. Відмінності між моделями будуть зазначені в посібнику.

## Пояснення символів

У цьому посібнику використовуються наступні символи:



Важлива інформація або корисні рекомендації щодо використання.



Попередження про небезпечні ситуації, що стосуються життя і майна.



Попередження про ураження електричним струмом.



Цей продукт виготовлений з використанням найновіших технологій в умовах, які не несуть шкоду навколишньому середовищу.

Відповідає вимогам Директиви щодо утилізації відходів електричного та електронного обладнання (WEEE).



Не містить поліхлорбіфенілів

Цей розділ містить інструкції з техніки безпеки, які допоможуть уникнути ризику травмування і пошкодження майна. Якщо користувач не дотримуватиметься цих інструкцій, всі гарантії будуть анульовані.

## 1.1 Загальні правила техніки безпеки

- Всі роботи з установки та ремонту пристрою мають виконуватися представником авторизованого сервісного центру. Виробник не нестиме відповідальності за будь-яку шкоду, яка виникла внаслідок виконання таких робіт не уповноваженими на це особами.
  - Цей прилад не призначений для використання особами (у тому числі дітьми) з обмеженими фізичними, сенсорними або розумовими можливостями, або особами, які не мають відповідного досвіду чи знань з використання приладу. Не дозволяйте дітям гратися з приладом.
- ### 1.1.1 Електрична безпека
- Під час виконання робіт з установки, технічного обслуговування та очищення пристрій необхідно від'єднати від мережі електроживлення.
  - Якщо шнур електроживлення пошкоджено, виробник повинен замінити його, заміна має виконуватися спеціалістом післяпродажного обслуговування або спеціалістом з аналогічною кваліфікацією (бажано електриком) чи особою, призначеною імпортером, з метою уникнення можливих ризиків.
  - Робоча напруга – від 220 до 240 В.
  - У випадку несправності експлуатувати прилад забороняється. Несправність має бути усунена представником авторизованого сервісного центру. Існує ризик ураження електричним струмом!
  - Не прокладайте кабель електроживлення поблизу варильних поверхонь. Інакше кабель електроживлення може спалахнути, оскільки він швидко плавиться.

- Ніколи не підключайте витяжку до мережі електроживлення, якщо її установку не завершено.
- Щоб отримати високу продуктивність функціонування витяжки, довжина зовнішнього провідника не повинна перевищувати 4 м. Він не повинен згинатися під кутом 90° більше, ніж два рази, а його діаметр має становити щонайменше  $\varnothing 120$  мм.
- Від'єднайте витяжку від мережі електроживлення перед виконанням будь-який робіт на внутрішніх частинах приладу.
- Відстань між нижньою поверхньою витяжки і верхньою поверхню плити/духовки має бути не меншою ніж 65 см.
- Не використовуйте витяжку без алюмінієвих фільтрів і не знімайте фільтри, коли витяжка працює.
- Не торкайтеся ламп витяжки після їх довготривалої роботи. Ви можете обпекти руки.
- Уникайте великого полум'я під продуктом. Інакше частки в масляному фільтрі можуть зайнятися і призвести до виникнення пожежі.

## 1.1.2 Безпека пристрою

- Для підключення витяжки до повітропроводу можна використовувати трубу діаметром 120 мм або 150 мм.
- Не під'єднуйте витяжку до повітропроводів, що підключені до печей, витяжних шахт або таких, в які потрапляє полум'я. Дотримуйтесь норм та правил, встановлених органами з контролю відведення відпрацьованих газів.
- Вмикайте варильну поверхню лише після розміщення на ній каструль або сковорідок. В іншому випадку висока температура може призвести до деформації деяких частин витяжки.
- Перед зняттям каструль або сковорідок вимкніть варильну поверхню.
- Уникайте розміщення легкозаймистих матеріалів під продуктом.
- Під час смаження їжі може спалахнути олія. Тому будьте обережні з одягом і шторами.

- Не залишайте плиту без нагляду під час смаження їжі, оскільки гаряча олія може призвести до виникнення пожежі.
- Недотримання інструкцій щодо чищення витяжки може призвести до пожежі.
- Будьте вкрай обережними і використовуйте рукавички під час чищення витяжки.
- Ми рекомендуємо увімкнути прилад за декілька хвилин до початку приготування їжі для того, щоб збільшити потужність всмоктування. Це забезпечить постійну і стабільну потужність всмоктування на момент виникнення випарів.
- Не вимикайте витяжку впродовж 15 хвилин після закінчення приготування їжі для того, щоб забезпечити видалення запахів і випарів від приготування їжі.
- Якщо ви використовуєте витяжку, особливо разом із плитою, переконайтеся, що у приміщення потрапляє свіже повітря.
- Не під'єднуйте прилад до повітропроводу, який використовується неелектричними пристроями. (Наприклад, повітропровід печі).
- Якщо у одному приміщенні з витяжкою одночасно використовується неелектричний пристрій, негативний тиск у приміщенні не має перевищувати 0,4 бар з метою запобігання всмоктування витяжкою у приміщення відпрацьованих газів інших пристроїв.

### 1.1.3 Безпека дітей

- Пакувальні матеріали є небезпечними для дітей. Зберігайте пакувальні матеріали у недоступному для дітей місці.
- Електричні прилади є небезпечними для дітей. Не допускайте контакту дітей із приладом. Не дозволяйте дітям гратися із приладом.

## 1.2 Використання за призначенням

- Цей прилад призначений для домашнього використання. Його не можна використовувати у комерційних цілях і не за призначенням.
- Виробник не несе відповідальності за будь-які збитки, що виникли внаслідок неправильного використання або пошкодження із продуктом.
- Термін служби продукту становить 10 років. Цей період часу визначений наявністю запчастин, необхідних для функціонування продукту.

## 1.3 Відповідність вимогам Директиви щодо утилізації відходів електричного та електронного обладнання (WEEE) і утилізації продукту



Цей продукт не містить шкідливих і заборонених матеріалів, зазначених у Директиві щодо обмеження використання деяких небезпечних речовин у відходах електричного та

електронного обладнання (WEEE), виданої Міністерством охорони навколишнього середовища і урбанізації Турецької Республіки.

Відповідає вимогам Директиви щодо утилізації відходів електричного та електронного обладнання (WEEE).

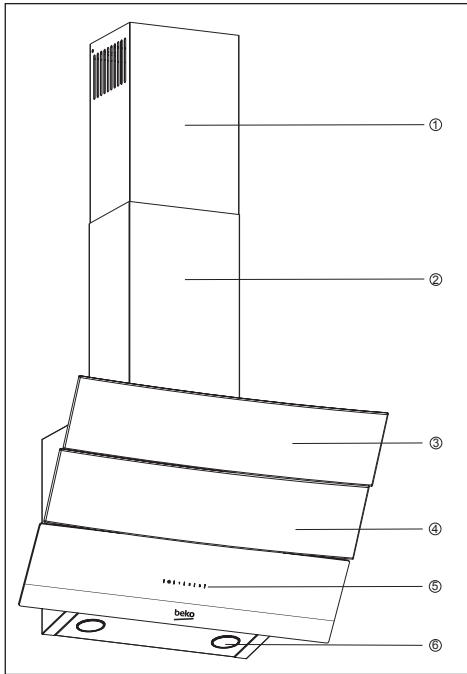
Цей продукт було виготовлено з використанням високоякісних деталей і матеріалів, які можуть бути використані повторно і придатні для вторинної переробки. Тому після закінчення терміну служби продукту не утилізуйте його разом із іншими побутовими відходами. Доставте його до пункту прийому електричного та електронного обладнання для подальшої утилізації. Про місцезнаходження найближчого такого пункту прийому можна дізнатися у відповідних місцевих органів влади. Допоможіть захистити навколишнє середовище і природні ресурси шляхом вторинної переробки використаних продуктів.

## 1.4 Інформація щодо пакувальних матеріалів



Упаковка продукту виготовлена із матеріалів, що підлягають вторинній переробці відповідно до національного законодавства. Не утилізуйте відходи пакувальних матеріалів разом із побутовим або іншим сміттям. Доставте їх до місця прийому відходів для подальшої утилізації, визначених місцевими органами влади.

## 2 Технічні характеристики приладу



1. внутрішній повітропровід
2. Зовнішній повітропровід
3. Скляна кришка
4. Фільтр (під скляною кришкою)
5. Панель управління
6. Освітлення

(Рисунок 1)

	HCA 92640 VH	HCA 92640 WH	HCA 62640 W	HCA 62640 WH
Ширина	896 mm	896 mm	596 mm	596 mm
Глибина	393 mm	393 mm	386 mm	386 mm
Висота	750 mm / 1130 mm	750 mm / 1130 mm	750 mm / 1080 mm	750 mm / 1080 mm
Напруга електроживлення	220 – 240 V, 50 Hz	220 – 240 V, 50 Hz	220 – 240 V, 50 Hz	220 – 240 V, 50 Hz
Управління	3-рівневе	3-рівневе	3-рівневе	3-рівневе
Потужність лампи	2 x 3 W	2 x 3 W	2 x 3 W	2 x 3 W
Повітровипускна труба	120 / 150 mm	120 / 150 mm	120 / 150 mm	120 / 150 mm
Потужність	577 м3/год.	577 м3/год.	537 м3/год.	537 м3/год.
Потужність двигуна	1 x 210 W	1 x 210 W	1 x 210 W	1 x 210 W
Загальна потужність	216 W	216 W	216 W	216 W
Вага нетто	13 kg	13 kg	10,4 kg	10,4 kg
Колір	Чорний	Білий	Білий	Білий

Значення, вказані на етикетках або в супровідній документації, отримані в лабораторних умовах відповідно до діючих стандартів. Ці значення можуть змінюватися в залежності від умов експлуатації приладу та навколишніх умов.



## 2

## Технічні характеристики приладу

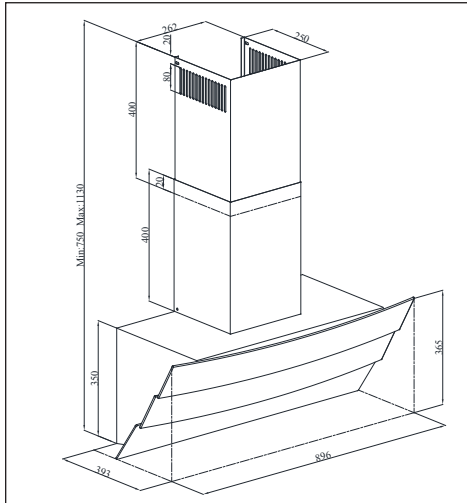
	<b>HCA 62640 B</b>	<b>HCA 62640 BH</b>	<b>HCA 62540 B</b>	<b>HCA 92540 B</b>
Ширина	596 mm	596 mm	596 mm	896 mm
Глибина	386 mm	386 mm	386 mm	393 mm
Висота	750 mm /1080 mm	750 mm /1080 mm	750 mm /1080 mm	750 mm /1130 mm
Напруга електроживлення	220 – 240 V, 50 Hz	220 – 240 V, 50 Hz	220 – 240 V, 50 Hz	220 – 240 V, 50 Hz
Управління	3-рівневе	3-рівневе	3-рівневе	3-рівневе
Потужність лампи	2 x 3 W	2 x 3 W	2 x 3 W	2 x 3 W
Повітровипускна труба	120 / 150 mm	120 / 150 mm	120 / 150 mm	120 / 150 mm
Потужність	537 м3/год.	537 м3/год.	566 м3/год.	593 м3/год.
Потужність двигуна	1 x 210 W	1 x 210 W	1 x 210 W	1 x 210 W
Загальна потужність	216 W	216 W	216 W	216 W
Вага нетто	10,4 kg	10,4 kg	10,4 kg	13 kg
Колір	Чорний	Чорний	Чорний	Чорний

	<b>HCA 62641 BH</b>	<b>HCA 62641 WH</b>	<b>HCA 92641 BH</b>	<b>HCA 92641 WH</b>
Ширина	596 mm	596 mm	896 mm	896 mm
Глибина	386 mm	386 mm	393 mm	393 mm
Висота	750 mm /1080 mm	750 mm /1080 mm	750 mm /1130 mm	750 mm /1130 mm
Напруга електроживлення	220 – 240 V, 50 Hz	220 – 240 V, 50 Hz	220 – 240 V, 50 Hz	220 – 240 V, 50 Hz
Управління	3-рівневе	3-рівневе	3-рівневе	3-рівневе
Потужність лампи	2 x 3 W	2 x 3 W	2 x 3 W	2 x 3 W
Повітровипускна труба	120 / 150 mm	120 / 150 mm	120 / 150 mm	120 / 150 mm
Потужність	638 м3/год.	638 м3/год.	648 м3/год.	648 м3/год.
Потужність двигуна	1 x 210 W	1 x 210 W	1 x 210 W	1 x 210 W
Загальна потужність	216 W	216 W	216 W	216 W
Вага нетто	10,4 kg	10,4 kg	13 kg	13 kg
Колір	Чорний	Білий	Чорний	Білий

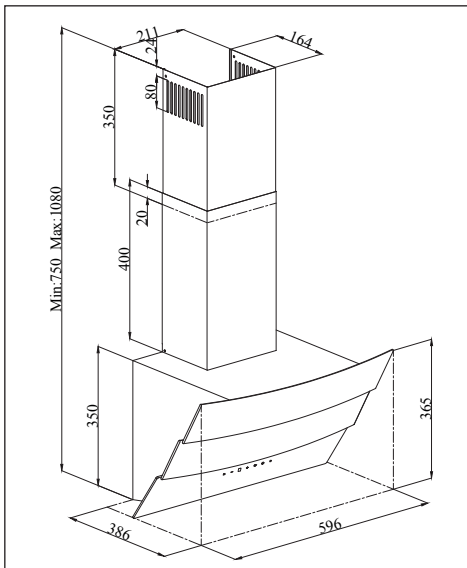
## 3 Установка приладу

Щодо установки приладу проконсультуйтеся у найближчому **авторизованому сервісному центру**.

\*Покупець несе відповідальність за підготовку місця і електромонтаж продукту.



(Рисунок 2)



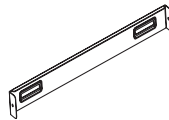
Відстань між нижньою поверхнею витяжки і верхньою частиною варильної поверхні не має бути меншою, ніж **65 см**.

Підключення приладу до електромережі повинен виконувати досвідчений електрик.

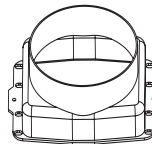
Встановіть прилад таким чином, щоб він діставав до місця підключення до електромережі (розетки).

Розміри вказано у мм.

### 3.1 Засоби установки



1 x планка під'єднання повітропроводу



1 x  $\varnothing 150$  мм пластиковий повітропровід



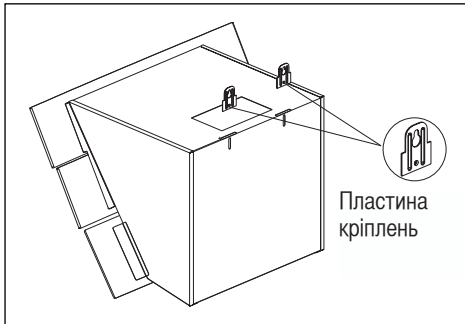
1 x  $\varnothing 120/150$  мм пластиковий адаптер для повітропроводу

## 3 Установка приладу

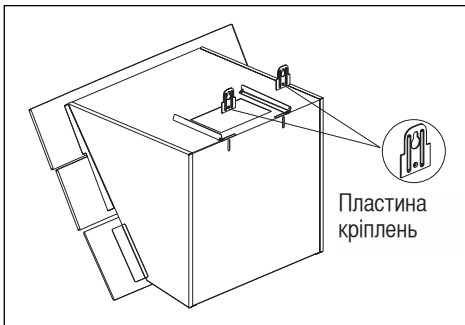
Інформація, необхідна для підготовки місця установки витяжки, подана нижче.

### 3.2 Установка витяжки на стіні

Щоб встановити витяжку на стіні, відкрутіть гвинти пластин кріплень на корпусі двигуна і потягніть пластини вгору. Після цього закрутіть гвинти пластин кріплень. **(Рисунок 3а)**



(Рисунок 3а - 60)



(Рисунок 3а - 90)



(Рисунок 3b - 60)

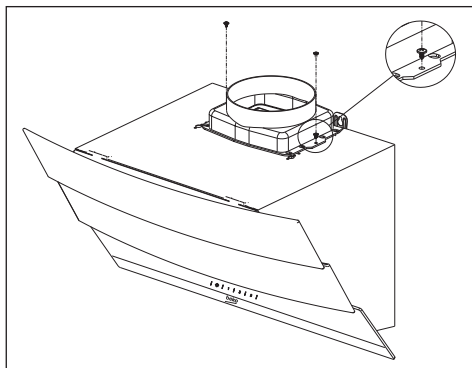


(Рисунок 3b - 90)

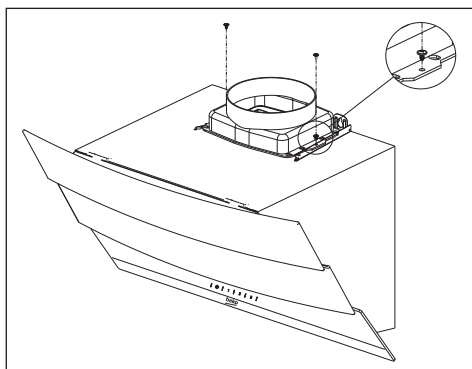
Зафіксуйте пластиковий адаптер ( $\varnothing$  150 мм) повітропроводу на верхній частині корпусу за допомогою гвинтів 3,5 x 9,5, що включені до комплекту засобів для установки **(Рисунок 4)**.

Якщо використовується повітропровід  $\varnothing$  120 мм, установіть адаптер ( $\varnothing$  120 мм) повітропроводу на нього.

### 3 Установка приладу



(Рисунок 4 - 60)

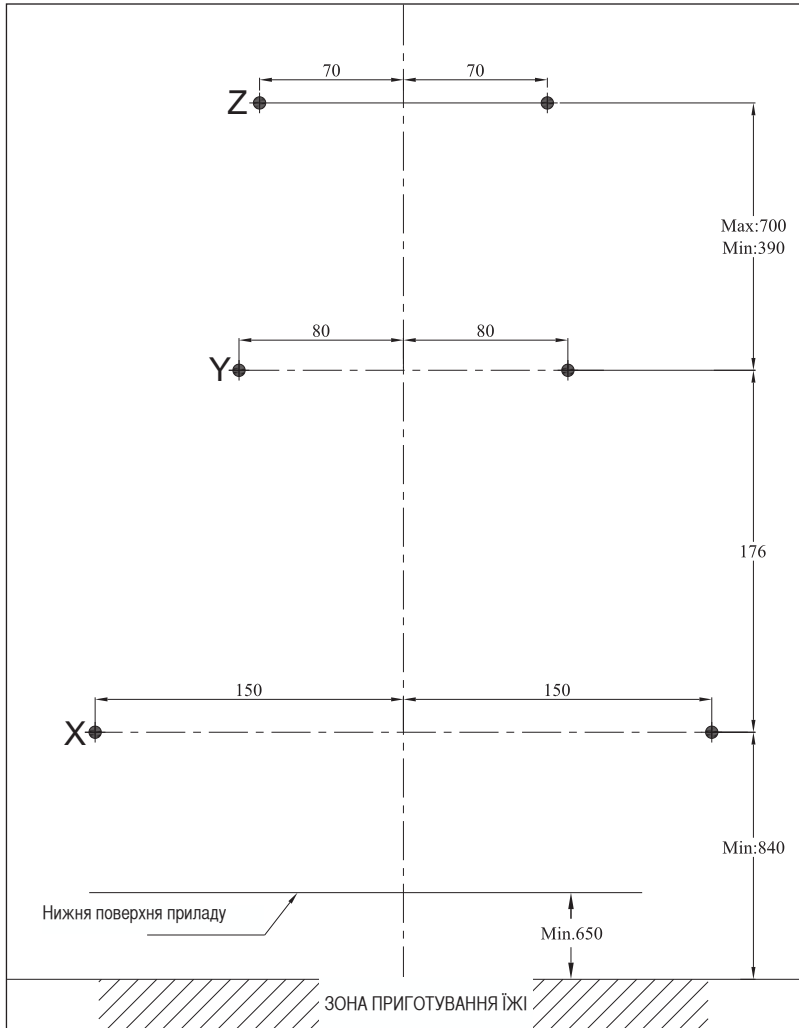


(Рисунок 4 - 90)

## 3 Установка приладу

### 3.2.1 Свердління отворів для кріплення

Прикріпіть монтажний шаблон на місце установки витяжки. Висвердліть отвори у точках, позначених (X,Y) (Рисунок 5), за допомогою свердла  $\varnothing 10$  мм, а точки, позначені (Z) (Рисунок 5) за допомогою свердла  $\varnothing 6$  мм.



(Рисунок 5)

## 3 Установка приладу

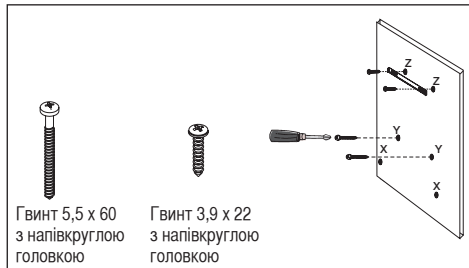
### 3.2.2 Забивання дюбелів молотком

Забийте молотком дюбеля  $\varnothing$  10 мм (X,Y) в отвори, висвердлені для підвісних гвинтів. Забийте молотком 2 x  $\varnothing$  6 мм дюбеля (Z) у отвори, висвердлені свердлом  $\varnothing$  6 мм, для планки під'єднання зовнішнього повітропроводу. (Рисунок 5)

### 3.2.3 Установка підвісних гвинтів

Встановіть 5,5 x 60 підвісні гвинти у дюбелях  $\varnothing$  10 мм (Y), забитих у стіну. Між головою гвинта і стіною має бути відстань 5 мм. (Рисунок 6)

Закріпіть планку під'єднання зовнішнього повітропроводу на дюбелях 6 мм (Z) за допомогою гвинтів  $\varnothing$  3,9 x 22. (Рисунок 6)



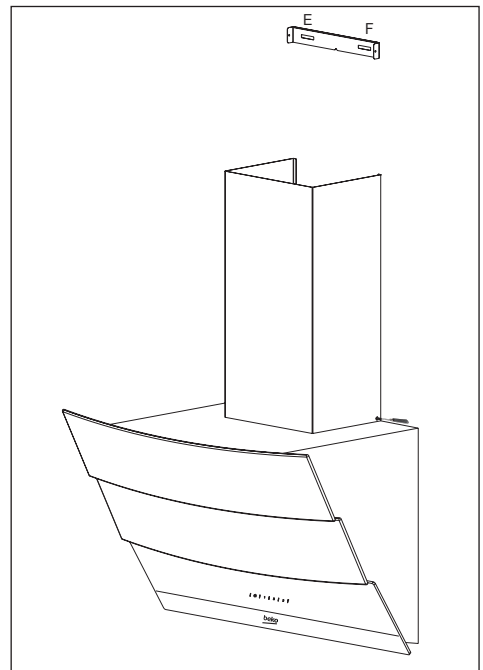
### 3.2.4 Підвішування витяжки на стіні

- Підвісьте витяжку на гвинти, встановлені у отворах Y.
- Відкрийте бічне вікно всмоктування, потягнувши його на себе. Встановіть гвинти 5,5 x 60 у отвори X, які знаходяться всередині, щоб закріпити прилад.

### 3.3 Установка повітропроводу витяжки

Під час виконання робіт з установки пристрій необхідно від'єднати від мережі електроживлення. Встановіть металеві пластини навколо корпусу.

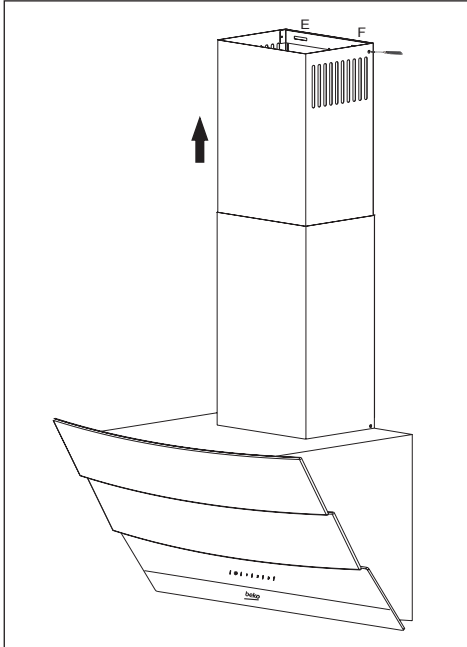
Прикрутіть зовнішній повітропровід до планки під'єднання зовнішнього повітропроводу, яка знаходиться на корпусі двигуна. (Рисунок 3b/7)



(Рисунок 7)

## 3 Установка приладу

Розсуньте і закріпіть зовнішні краї внутрішнього повітропроводу на пластині під'єднання повітропроводу, яка встановлена на стіні (Рисунок 8).



(Рисунок 8)

### 3.4.1 Використання витяжки із повітропроводом

- Пара видаляється із приміщення через трубу повітропроводу, яка прикріплена до з'єднувальної головки витяжки.
- Діаметр труби повітропроводу має дорівнювати діаметру з'єднувального кільця. Щоб забезпечити належне виведення повітря з приміщення у горизонтальному напрямку, трубу необхідно злегка підняти вгору (приблизно на 10°).

### 3.4.2 Використання витяжки без повітропроводу

- Повітря фільтрується вугільним фільтром і повертається у приміщення. Вугільний фільтр використовується, якщо у будинку немає повітропроводу.
- Якщо витяжка використовуватиметься без повітропроводу, зніміть відповідні пристрої всередині адаптера повітропроводу.
- Зніміть алюмінієвий фільтр. Щоб встановити вугільний фільтр, розмістіть його у пластикових деталях з обох сторін корпусу вентилятора і прикріпіть його до планок. Щоб зафіксувати фільтр, поверніть планки вліво або вправо.
- Встановіть алюмінієвий фільтр.

### 3.5 Під'єднання повітропроводу:

Встановіть адаптер, який поставляється разом із витяжкою, у вентиляційному отворі, що знаходиться у верхній частині витяжки. Придбайте трубу діаметром 120/150 мм. Під'єднайте один кінець труби до адаптера, а інший – до повітропроводу.

Переконайтеся, що ці два під'єднання достатньо надійні,

щоб не зміщувалися, коли витяжка працює на повній потужності. Перевірте, чи засувки у повітропроводі можуть функціонувати, якщо їх зафіксувати хомутом. Встановіть трубу під'єднання повітропроводу на адаптері. Якщо ви прикріпите трубу під'єднання повітропроводу до адаптера, всмоктування повітря не відбуватиметься, оскільки засувки, які перешкоджають зворотній циркуляції потоку повітря, залишаться закритими.

Не рекомендується під'єднувати витяжку до повітропроводів, які підключені до печей або витяжних шахт. Не під'єднуйте витяжку до таких повітропроводів.

## 3 Установка приладу

З'єднувальний трубопровід має бути якомога коротшим і мати якомога меншу кількість колін.

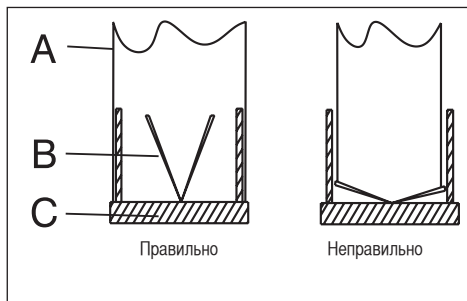
A: Випускна труба повітропровода

B: Засувки, що перешкоджають зворотній циркуляції потоку

C: Пластиковий повітропровід

### 3.5.1 Система запобігання зворотній циркуляції потоку (N-RV)

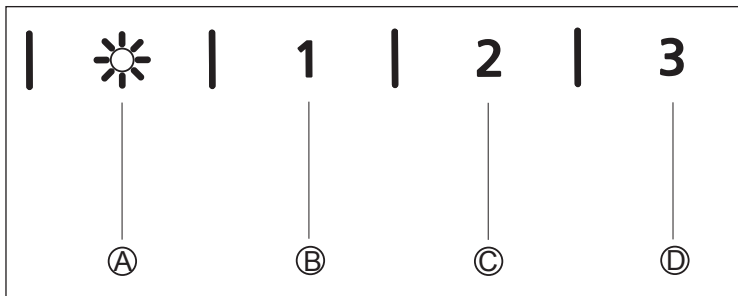
Під час роботи витяжки засувки закриті з метою запобігання можливому потраплянню запахів і пилу ззовні у приміщення.



(Рисунок 9)



## 4 Експлуатація приладу



(Рисунок 9)

(A): Кнопка увімк./вимк. світла

(B): кнопка 1-го рівня

(C): кнопка 2-го рівня

(D): кнопка 3-го рівня

### 4.1 Трьохрівнева система цифрового електронного управління

**(A) Кнопка увімк./вимк. світла:** натиснувши на цю кнопку, можна увімкнути освітлення зони приготування їжі.

**Кнопка (B):** Натиснувши на цю кнопку, можна увімкнути витяжку на другому рівні швидкості.

Якщо ви ще раз натиснете на цю кнопку, щоб вимкнути прилад, індикація рівня швидкості на екрані зникне.

**Кнопка (C):** Натиснувши на цю кнопку, можна увімкнути витяжку на другому рівні швидкості.

Якщо ви ще раз натиснете на цю кнопку, щоб вимкнути прилад, індикація рівня швидкості на екрані зникне.

**Кнопка (D):** натиснувши на цю кнопку, можна увімкнути витяжку на третьому рівні швидкості.

Якщо ви ще раз натиснете на цю кнопку, щоб вимкнути прилад, індикація рівня швидкості на екрані зникне.

### Автоматична зупинка через 15 хв.:

цей прилад оснащений функцією «Автоматична зупинка», яка дозволяє провітрювати приміщення протягом додаткового часу з метою видалення неприємних запахів і випарів після приготування їжі. Прилад зупиняється автоматично по закінченню певного проміжку часу.

Щоб увімкнути функцію «Автоматична зупинка», натисніть будь-яку кнопку рівня швидкості (B, C, D) на панелі та утримуйте її 2 секунди. Увімкнеться таймер на 15 хвилин.

Якщо натиснути ту саму кнопку рівня швидкості, коли увімкнена функція «Автоматична зупинка», то ця функція вимкнеться, а прилад зупиниться.

Якщо обрати інший рівень швидкості, то ця функція вимкнеться.

Якщо потрібна автоматична зупинка приладу, потрібно ще раз вимкнути функцію «Автоматична зупинка».

## 4 Експлуатація приладу

### Періодична очистка металевих фільтрів:

фільтри слід очищувати приблизно кожні 60 годин роботи або кожні 4 тижні, залежно від частоти використання.

### 4.2 Енергоефективна експлуатація:

- під час використання витяжки, регулюйте рівень швидкості, залежно від інтенсивності запахів та випарів, щоб запобігти надмірному споживанню енергії.
- За звичайних умов, встановлюйте низьку швидкість (1-2), і збільшуйте її (3), якщо рівень запахів та випарів стає більш інтенсивним.
- Лампи на витяжці призначені для освітлення зони приготування їжі.

Використання їх з метою освітлення навколишньої зони або кухні призведе до нецільового енергоспоживання та недостатнього рівня світла.

### 4.3 Експлуатація витяжки:

- Витяжка оснащена двигуном, що має різні налаштування швидкості.
- Для кращої роботи приладу за нормальних умов рекомендується використовувати низькі швидкості, і високі, якщо рівень запахів та випарів стає більш інтенсивним.
- Витяжка вмикається, якщо натиснути кнопку необхідного рівня швидкості (B, C, D).
- Освітлення зони приготування їжі вмикається з допомогою кнопки підсвічування. (A)

## 5 Очищення і технічне обслуговування

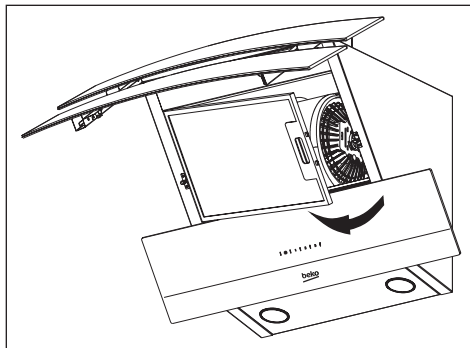
Перед очищенням і технічним обслуговуванням від'єднайте прилад від мережі електроживлення або вимкніть головний вимикач, або відкрутіть запобіжник, який здійснює електроживлення витяжки.

### 5.1 Алюмінієвий фільтр

Цей фільтр вловлює частки олії у повітрі. За нормальних умов експлуатації рекомендується очищувати цей фільтр щомісяця. Для цього спочатку необхідно зняти алюмінієві фільтри. Промийте фільтри рідким миючим засобом і сполосніть їх чистою водою. Після цього дозвольте фільтрам висохнути і встановіть їх на місце. Алюмінієві фільтри можуть втратити колір внаслідок миття. Це нормально, фільтр, у такому випадку, змінювати не потрібно.

#### 5.1.1 Зняття алюмінієвих фільтрів

1. Посуньте вперед фіксатор алюмінієвого фільтра.
2. Після цього злегка опустіть його і потягніть вперед. У іншому випадку ви можете погнути фільтр. (Рисунок 10) Після миття і висушування фільтра встановіть його на місце, виконуючи вищевказані кроки у зворотному порядку.



(Рисунок 10)



Миття алюмінієвих фільтрів можна здійснювати у посудомийній машині.

### Вугільний фільтр (використання без повітропроводу)

Цей фільтр видаляє запахи приготування їжі. Якщо немає можливості використовувати повітропровід, фільтр очищує повітря, яке повертається назад у кухню. З часом вугільний фільтр приладу може засмітитися в залежності від частоти використання витяжки, способу приготування їжі і частоти очищення алюмінієвих фільтрів.



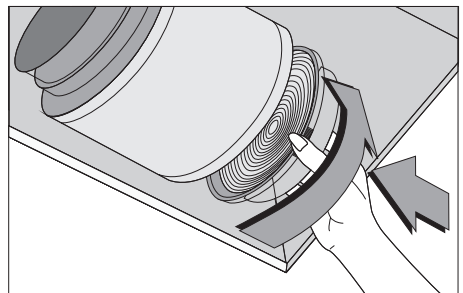
#### Увага!

Мити вугільний фільтр заборонено.

Придбати вугільні фільтри можна у представників авторизованого сервісного центру Веко.

#### 5.2.1 Заміна вугільного фільтра

- Зніміть алюмінієві фільтри. (Рисунок 10)
- Щоб зняти вугільний фільтр поверніть планки проти годинникової стрілки і зніміть фільтр. (Рисунок 11)
- Встановіть новий вугільний фільтр.
- Встановіть алюмінієві фільтри.



(Рисунок 11)

## 5 Очищення і технічне обслуговування

Фільтри, що усувають запах, містять деревне вугілля (активне вугілля).

Заміну таких фільтрів необхідно виконувати кожні 6 місяців.

Не залежно від того, використовуються вугільні фільтри чи ні, алюмінієві фільтри мають завжди бути встановлені.

Не використовуйте прилад без алюмінієвих фільтрів. Використання вугільних фільтрів зменшить потужність всмоктування приладу.

### 5.3 Очищення

Очищення витяжки необхідно здійснювати відразу ж після смаження.

Для очищення зовнішньої поверхні витяжки використовуйте м'яку тканину, змочену рідким миючим засобом.

Не використовуйте абразивні матеріали та матеріали, які можуть подряпати поверхню витяжки.

У разі використання наявних у продажу миючих засобів, які підходять для зняття стійкого жиру, забруднення тощо, дотримуйтесь вказівок з використання такого миючого засобу. Щоб не подряпати матовий сталевий корпус приладу, витирайте витяжку у тому напрямку, у якому нанесено матове покриття.

Щоб зберегти якість поверхні витяжки, не використовуйте миючі засоби, які містять соляну кислоту, відбілюючі речовини або абразивні порошки. Для поверхонь із нержавіючої сталі використовуйте тканину, змочену у мильній воді, або спеціальні спреї для очищення нержавіючої сталі. Зніміть захисну фольгу з приладу.



#### Увага!

Недотримання інструкцій з очищення і заміни фільтрів витяжки може призвести до виникнення пожежі.

Під час транспортування приладу:

- Зберігайте оригінальну упаковку приладу. Транспортування приладу необхідно здійснювати у оригінальній упаковці та дотримуючись транспортного маркування на оригінальній упаковці.

**Якщо оригінальна упаковка не збереглася:**

- Не розміщуйте на витяжці будь-які предмети.
- Захистіть зовнішню поверхню витяжку від ударів.
- Упакуйте прилад таким чином, щоб він не пошкодився під час транспортування.

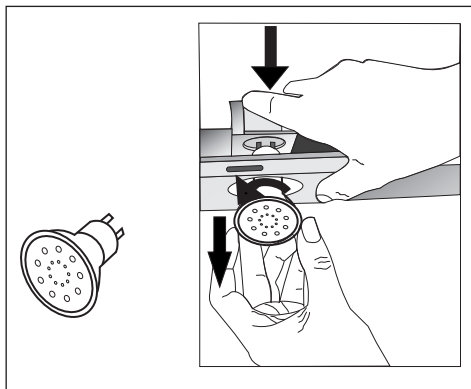
### 5.4 Заміна ламп

Від'єднайте витяжку від мережі електроживлення.

Цей прилад оснащений світлодіодними лампами 3 Вт.

Щоб замінити світлодіодну лампу, натисніть на неї у напрямку вниз на задній частині патрону. Після цього поверніть лампу проти годинникової стрілки на 1/4 оберту і зніміть її.

Щоб встановити нову лампу, виконайте вищевказані дії у зворотному порядку.



придбати лампи можна у представників авторизованого сервісного центру.

# Прочитайте это руководство перед началом эксплуатации!

Уважаемый покупатель!

Благодарим вас за выбор продукции компании Веко. Мы надеемся, что продукция, изготовленная на современном оборудовании и имеющая высокий уровень качества, будет служить вам наилучшим образом. Для этого перед началом эксплуатации внимательно прочитайте это руководство и все другие сопроводительные документы и используйте их в дальнейшем в качестве справочника. При передаче изделия другому лицу передайте и это руководство. Соблюдайте все предостережения и информацию в руководстве пользователя.

Помните, что данное руководство пользователя может применяться и для некоторых других моделей. Различия между моделями указаны в руководстве.

## Условные обозначения

В данном руководстве по эксплуатации используются следующие символы:



Важная информация или полезные советы по эксплуатации.



Предупреждение об опасных ситуациях для жизни людей и имущества.



Предупреждение об опасности поражения электрическим током.



Данное изделие было изготовлено с использованием новейших технологий в экологически чистых условиях.

Соответствует требованиям Директивы ЕС об утилизации электрического и электронного оборудования.



Не содержит полихлорбифенилов

В этом разделе содержатся правила техники безопасности, соблюдение которых позволит избежать травмирования или материального ущерба. В случае несоблюдения данных инструкций все гарантии будут аннулированы.

## 1.1. Общая безопасность

- Процедуры по установке и ремонту должны выполняться авторизованным техническим специалистом. Производитель не несет ответственности за неисправности, возникшие вследствие выполнения процедур неуполномоченными лицами.
  - Данный электроприбор не предназначен для использования лицами (включая детей) с ограниченными физическими, сенсорными и умственными возможностями либо не имеющими опыта и знаний. Необходимо следить за тем, чтобы дети не играли с электроприбором.
- ### 1.1.1 Электрическая безопасность
- Необходимо отключать прибор от электросети во время установки, технического обслуживания, очистки и ремонта.
  - Во избежание возможных опасностей замену поврежденного шнура питания должен выполнять только производитель, сервисный центр или специалист соответствующей квалификации (предпочтительно электрик) или лицо, назначенное импортером.
  - Рабочее напряжение 220–240 В.
  - Не следует использовать прибор в неисправном состоянии, пока он не будет отремонтирован авторизованным техническим специалистом. Опасность удара электрическим током!
  - Не следует прокладывать шнур питания вблизи конфорок. В противном случае может возникнуть пожар, поскольку шнур питания быстро плавится.

- Запрещено включать штекер вытяжки в розетку, пока установка не будет полностью завершена.
- Для получения оптимальных характеристик внешний проводник не должен превышать 4 м в длину. Не следует сгибать проводник перпендикулярно под углом (90°) более 2 раз, а его диаметр должен составлять мин. 120 мм.
- Следует отключать прибор от сети питания, прежде чем выполнять какие-либо работы с его внутренними частями.
- Расстояние между нижней поверхностью вытяжки и верхней поверхностью плиты/печи должно быть не меньше 65 см.
- Не следует использовать вытяжку без алюминиевых фильтров. Также не следует снимать фильтры, когда вытяжка работает.
- Ни в коем случае не следует прикасаться к лампе вытяжки после продолжительного времени работы. Горячие лампы могут обжечь руку.
- Следует избегать высокого пламени под вытяжкой. В противном случае частицы масляного фильтра могут воспламениться и привести к пожару.

## 1.1.2 Эксплуатационная безопасность изделия

- Для подключения дымохода к вытяжке можно использовать трубу диаметром 120 мм или 150 мм.
- Не следует подключаться к дымоходам, соединенным с плитами, выходными вентиляционными шахтами, или к дымоходам с поднимающимся пламенем. Необходимо соблюдать правила, установленные регуляторными органами в отношении выпуска отработанного воздуха.
- Конфорки необходимо включать только после установки на них кастрюль или сковородок. В противном случае повышение температуры может привести к деформации некоторых частей вытяжки.
- Прежде чем снять кастрюли или сковородки, следует выключить конфорки.
- Следует избегать огнеопасных материалов под вытяжкой.

- Во время жарки масло может воспламениться. Поэтому следует соблюдать осторожность в отношении одежды и штор.
  - Во время жарки не следует оставлять плиту без присмотра; в противном случае кипящее масло может стать причиной пожара.
  - Если не очищать вытяжку в обусловленные периоды времени, существует опасность возникновения пожара.
  - Следует соблюдать крайнюю осторожность и всегда надевать перчатки во время чистки вытяжки.
  - Мы советуем запускать вытяжку на пару минут до начала приготовления пищи для увеличения мощности всасывания. Таким образом достигается постоянная и стабильная мощность всасывания при возникновении пара.
  - После окончания приготовления пищи следует дать вытяжке поработать в течение 15 минут, чтобы удалить пар, образовавшийся во время приготовления.
  - Во время использования вытяжки, особенно вместе с газовыми плитами, необходимо убедиться, что помещение вентилируется чистым воздухом.
  - Следует следить, чтобы вытяжка не была подключена к дымоходам, используемым неэлектрическими приборами. (Например: дымоход обогревателя).
  - Когда неэлектрический прибор используется в одном помещении одновременно с вытяжкой, отрицательное давление в помещении должно составлять не более 0,4 мбар с тем, чтобы предотвратить втягивание выпуска другого устройства в помещение.
- ### 1.1.3 Безопасность детей
- Упаковочные материалы представляют опасность для детей. Упаковочные материалы следует хранить в безопасном, недоступном для детей месте.
  - Электроприборы представляют опасность для детей. Не следует подпускать детей близко к прибору.



Не следует разрешать детям играть с прибором.

## 1.2 Назначение изделия

- Этот прибор предназначен для бытового применения. Прибор не подходит для коммерческого использования и не должен использоваться в целях, отличных от целевого назначения.
- Производитель не несет ответственности за какие-либо повреждения, возникшие в результате неправильного использования или обращения с прибором.
- Срок эксплуатации прибора составляет 10 лет. В течение этого времени обеспечивается наличие запасных частей, необходимых для функционирования прибора.

## 1.3 Соответствие Директиве по утилизации отходов электрического и электронного оборудования и утилизация прибора



Данный прибор не содержит опасных и/или запрещенных материалов, указанных в «Директиве об ограничении использования некоторых вредных веществ в электрическом и электронном оборудовании», изданной Министерством по охране окружающей среды и городского планирования Турецкой республики.

Соответствует требованиям Директивы ЕС об утилизации электрического и электронного оборудования.

Это изделие изготовлено из высококачественных материалов и компонентов, которые пригодны для повторного использования и подлежат вторичной переработке. В связи с этим не следует утилизировать изделие с обычными бытовыми отходами по истечении срока его эксплуатации. Его следует сдать в пункт сбора отходов электрического и электронного оборудования. О местонахождении ближайшего пункта сбора отходов можно узнать в местных органах власти. Помогайте защитить окружающую среду и природные ресурсы, обеспечивая переработку изделий, вышедших из употребления.

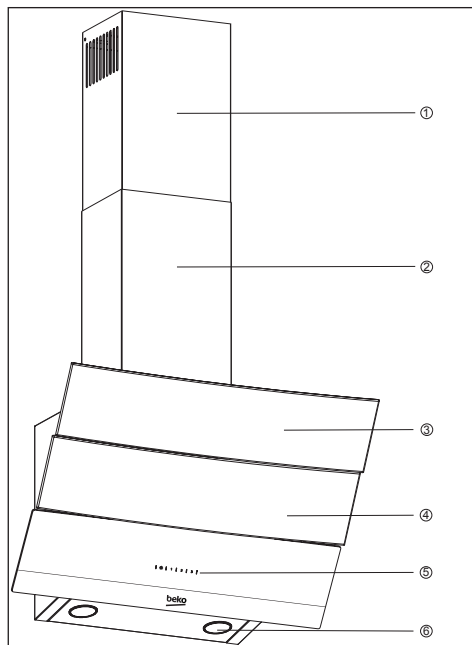
## 1.4 Информация об упаковке



Упаковка прибора изготовлена из материалов, пригодных для переработки, в соответствии с национальным законодательством.

Запрещается утилизировать отходы от упаковки с бытовыми или другими видами отходов; следует сдавать их в пункты сбора, учрежденные местными органами власти.

## 2 Технические характеристики прибора



1. внутренняя труба
2. наружная труба
3. стеклянная крышка
4. фильтр (под стеклянной крышкой)
5. панель управления
6. освещение

(Рисунок 1)

	HCA 92640 BH	HCA 92640 WH	HCA 62640 W	HCA 62640 WH
Ширина	896 mm	896 mm	596 mm	596 mm
Глубина	393 mm	393 mm	386 mm	386 mm
Высота	750 mm / 1130 mm	750 mm / 1130 mm	750 mm / 1080 mm	750 mm / 1080 mm
Напряжение сети	220 – 240 V, 50 Hz	220 – 240 V, 50 Hz	220 – 240 V, 50 Hz	220 – 240 V, 50 Hz
Управление	3 уровня управления	3 уровня управления	3 уровня управления	3 уровня управления
Мощность ламп освещения	2 x 3 W	2 x 3 W	2 x 3 W	2 x 3 W
Труба воздуховыпускного отверстия	120 / 150 mm	120 / 150 mm	120 / 150 mm	120 / 150 mm
Мощность	577 м <sup>3</sup> /h	577 м <sup>3</sup> /h	537 м <sup>3</sup> /h	537 м <sup>3</sup> /h
Мощность двигателя	1 x 210 W	1 x 210 W	1 x 210 W	1 x 210 W
Полная мощность	216 W	216 W	216 W	216 W
Масса нетто	13 kg	13 kg	10,4 kg	10,4 kg
Цвет	Черный	Белый	Белый	Белый

Значения, указанные на этикетках или в сопроводительной документации, получены в лабораторных условиях в соответствии с действующими стандартами. Фактические значения могут отличаться в зависимости от режима эксплуатации прибора и условий окружающей среды.

## 2 Технические характеристики прибора

	HCA 62640 B	HCA 62640 BH	HCA 62540 B	HCA 92540 B
Ширина	596 mm	596 mm	596 mm	896 mm
Глубина	386 mm	386 mm	386 mm	393 mm
Высота	750 mm /1080 mm	750 mm /1080 mm	750 mm /1080 mm	750 mm /1130 mm
Напряжение сети	220 – 240 V, 50 Hz	220 – 240 V, 50 Hz	220 – 240 V, 50 Hz	220 – 240 V, 50 Hz
Управление	3 уровня управления	3 уровня управления	3 уровня управления	3 уровня управления
Мощность ламп освещения	2 x 3 W	2 x 3 W	2 x 3 W	2 x 3 W
Труба воздуховыпускного отверстия	120 / 150 mm	120 / 150 mm	120 / 150 mm	120 / 150 mm
Мощность	537 м <sup>3</sup> /h	537 м <sup>3</sup> /h	566 м <sup>3</sup> /h	593 м <sup>3</sup> /h
Мощность двигателя	1 x 210 W	1 x 210 W	1 x 210 W	1 x 210 W
Полная мощность	216 W	216 W	216 W	216 W
Масса нетто	10,4 kg	10,4 kg	10,4 kg	13 kg
Цвет	Черный	Черный	Черный	Черный

	HCA 62641 BH	HCA 62641 WH	HCA 92641 BH	HCA 92641 WH
Ширина	596 mm	596 mm	896 mm	896 mm
Глубина	386 mm	386 mm	393 mm	393 mm
Высота	750 mm /1080 mm	750 mm /1080 mm	750 mm /1130 mm	750 mm /1130 mm
Напряжение сети	220 – 240 V, 50 Hz	220 – 240 V, 50 Hz	220 – 240 V, 50 Hz	220 – 240 V, 50 Hz
Управление	3 уровня управления	3 уровня управления	3 уровня управления	3 уровня управления
Мощность ламп освещения	2 x 3 W	2 x 3 W	2 x 3 W	2 x 3 W
Труба воздуховыпускного отверстия	120 / 150 mm	120 / 150 mm	120 / 150 mm	120 / 150 mm
Мощность	638 м <sup>3</sup> /h	638 м <sup>3</sup> /h	648 м <sup>3</sup> /h	648 м <sup>3</sup> /h
Мощность двигателя	1 x 210 W	1 x 210 W	1 x 210 W	1 x 210 W
Полная мощность	216 W	216 W	216 W	216 W
Масса нетто	10,4 kg	10,4 kg	13 kg	13 kg
Цвет	Черный	Белый	Черный	Белый

## 3 Установка прибора

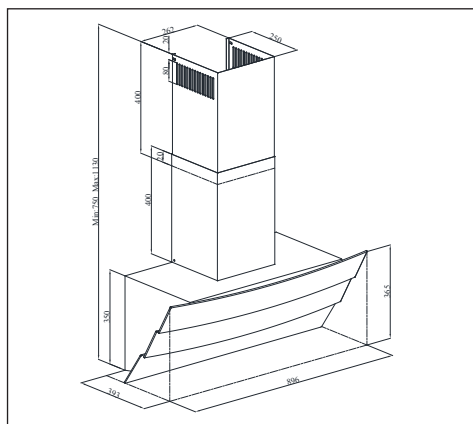
Чтобы установить вытяжку, необходимо обратиться к ближайшему **авторизованному техническому специалисту**.

\*Ответственность за подготовку места для прибора и его электромонтаж несет покупатель.

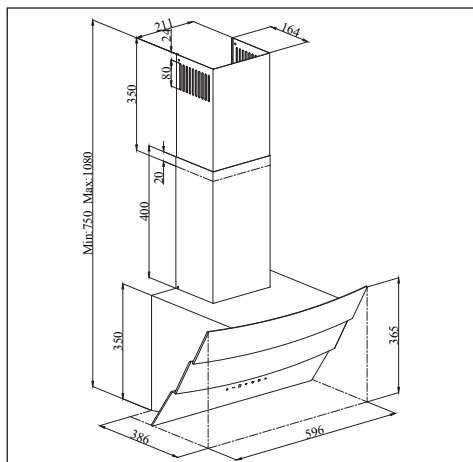


### Осторожно!

Необходимо снять защитную пленку (при ее наличии) с вытяжки и поверхности дымохода после установки.



(рисунок 2)



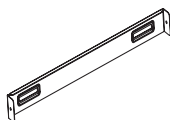
Расстояние между нижней поверхностью вытяжки и верхней поверхностью конфорки должно составлять не менее **65 см**.

Электрические соединения должны выполняться квалифицированным электриком.

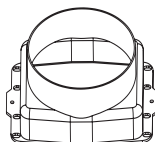
Вытяжку следует устанавливать так, чтобы потом можно было с легкостью дотянуться до сети питания (розетки, выхода).

Размеры приведены в мм.

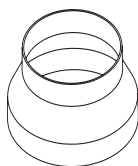
### 3.1 Принадлежности для установки



Соединительная пластина для трубы x 1



Пластиковая труба  
1 x  $\varnothing$  150 мм



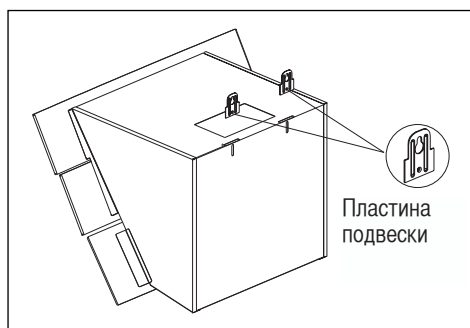
Адаптер для пластиковой трубы  
1 x  $\varnothing$  120/150 мм

## 3 Установка прибора

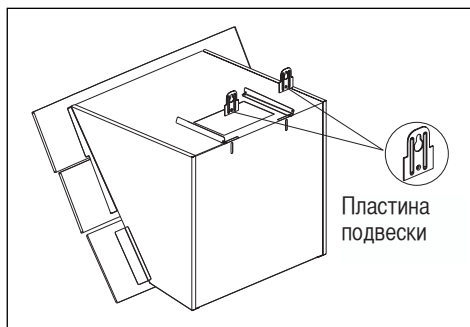
Информация, необходимая для подготовки места установки вытяжки, приводится ниже.

### 3.2 Крепление вытяжки к стене

Чтобы прикрепить вытяжку к стене, необходимо ослабить винты пластин подвески на корпусе двигателя и потянуть пластины вверх. Затем затянуть винты пластин подвески (рисунок 3а).



(Рисунок 3а - 60)



(Рисунок 3а - 90)



(Рисунок 3b - 60)

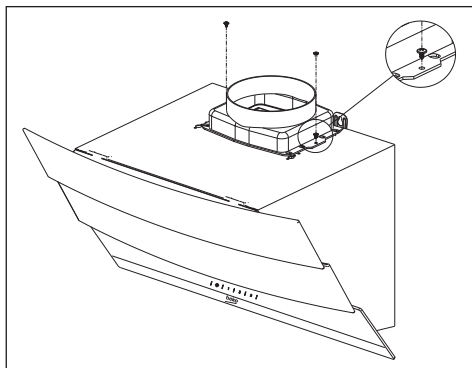


(Рисунок 3b - 90)

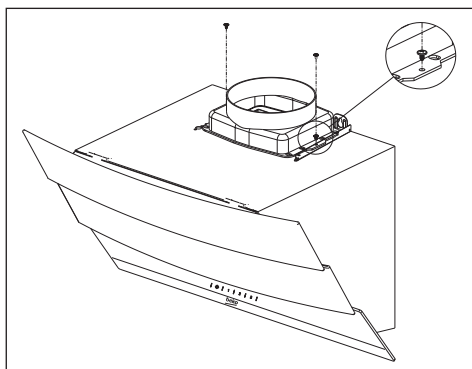
Присоединить адаптер пластиковой трубы диаметром 150 мм к верхней части корпуса вытяжки при помощи винта 3,5 x 9,5, который входит в комплект принадлежностей для установки (рисунок 4).

При использовании дымохода диаметром 120 мм следует установить в нем адаптер диаметром 120 мм.

### 3 Установка прибора



(Рисунок 4 - 60)

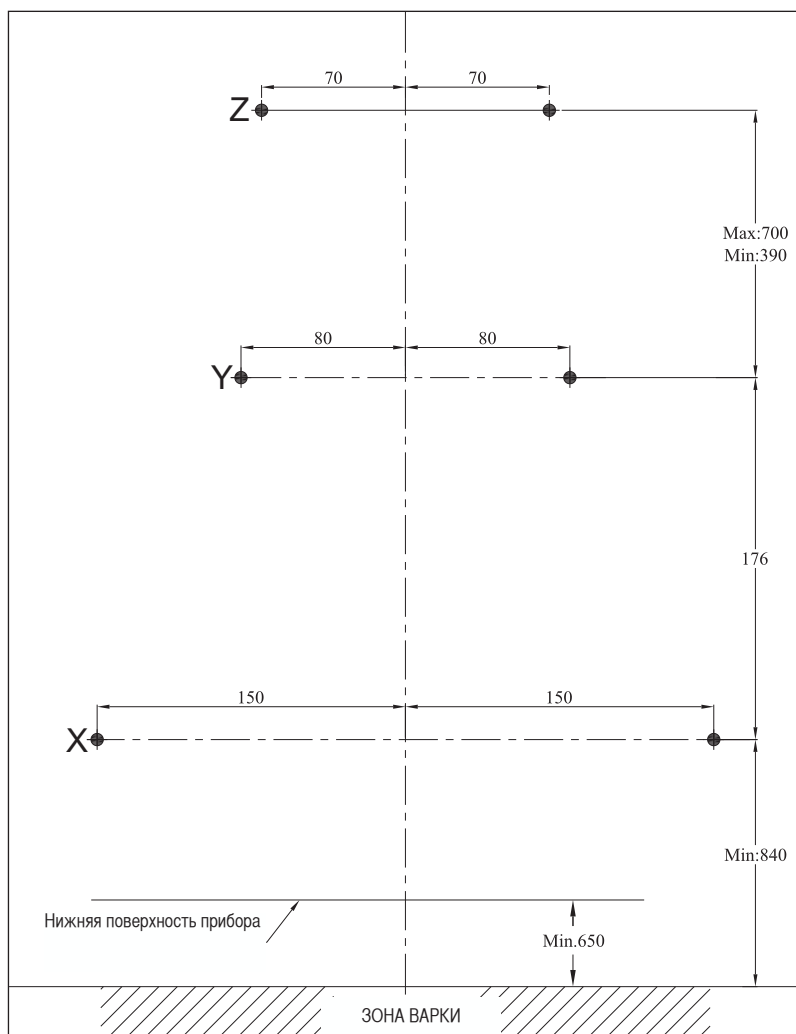


(Рисунок 4 - 90)

## 3 Установка прибора

### 3.2.1 Сверление отверстий для подвески

Прикрепить монтажный шаблон к месту установки вытяжки. Просверлить отверстия, помеченные (X, Y) (рисунок 5), с помощью сверла диаметром 10 мм, и отверстие, помеченное (Z) (рисунок 5), с помощью сверла диаметром 6 мм.



(рисунок 5).

## 3 Установка прибора

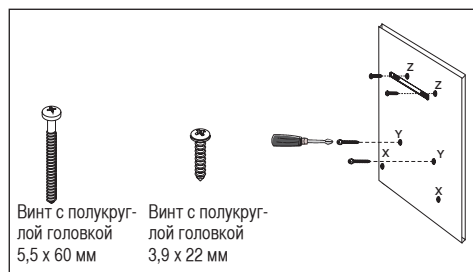
### 3.2.2 Забивание дюбелей

Забить молотком дюбеля (X, Y) диаметром 10 мм в отверстия, просверленные для винтов подвески. Забить 2 дюбеля (Z) диаметром 6 мм в отверстия, просверленные при помощи сверла диаметром 6 мм для соединительной пластины наружной трубы (рисунок 5).

### 3.2.3 Установка винтов для подвески

Установить винты подвески 5,5 x 60 в дюбеля (Y) диаметром 10 мм, которые забili в стену. Между головкой винта и стеной должен быть зазор в 5 мм (рисунок 6).

Прикрепить соединительную пластину внутренней трубы к дюбелям (Z) длиной 6 мм на стене, используя винты диаметром 3,9 x 22 (рисунок 6).



(рисунок 6).

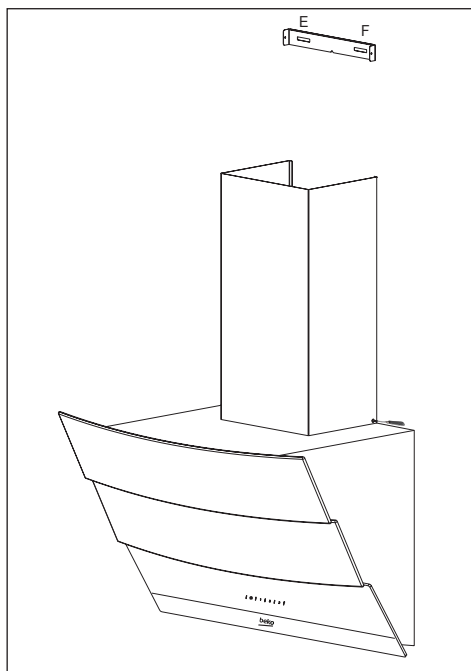
### 3.2.4 Подвешивание вытяжки на стену

- Подвесить вытяжку на винты, установленные в отверстиях, помеченных буквой Y.
- Открыть боковое окно вытяжки для всасывания, потянув на себя. Установить винты 5,5 x 60 в отверстия, помеченные буквой X, расположенные внутри, чтобы закрепить вытяжку.

### 3.3 Установка вытяжной трубы

Необходимо отключать прибор от электросети, прежде чем приступать к установке трубы. Установить металлические листы трубы вокруг корпуса.

Прикрутить наружную трубу к соединительным пластинам внешней трубы, расположенным на корпусе двигателя (рисунок 3b/7).

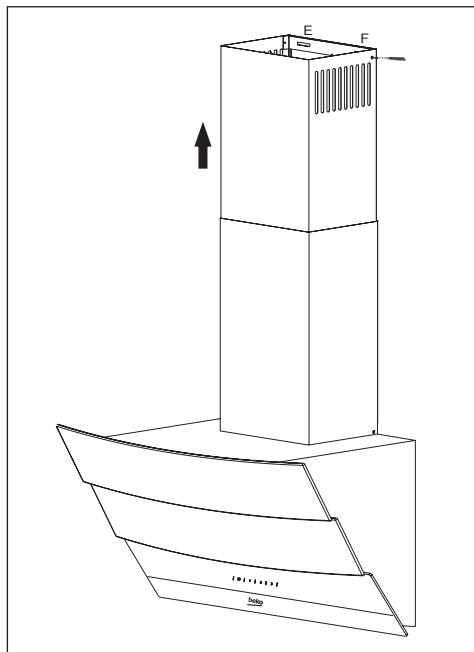


(рисунок 7).



## 3 Установка прибора

Расширить и прикрутить внутреннюю трубу от ее внешнего края к соединительной пластине трубы, прикрепленной к стене (рисунок 8).



(рисунок 8)

### 3.4.1 Использование с подключением к дымоходу

- Пар удаляется через дымоход, который прикреплен к соединительной головке вытяжки.
- Диаметр дымохода должен быть равен диаметру соединительного кольца. Чтобы воздух без проблем удалялся из помещения в горизонтальных конструкциях, труба должна быть слегка наклонена вверх (примерно на  $10^\circ$ ).

### 3.4.2 Использование без подключения к дымоходу

- Воздух фильтруется угольным фильтром и возвращается в помещение. Угольный фильтр используется, если в доме нет дымохода.
- Если вытяжка будет использоваться без подключения к дымоходу, необходимо снять диверторы внутри адаптера дымохода.
- Снять алюминиевый фильтр. Чтобы установить угольный фильтр, расположить его по центру на пластиковой части с обеих сторон корпуса вентилятора и прикрепить к фиксаторам. Закрепить фильтр, повернув фиксаторы направо или налево.
- Установить алюминиевый фильтр.

### 3.5 Подключение к дымоходу

Поместить адаптер, который поставляется вместе с вытяжкой, в вентиляционное отверстие, расположенное в верхней секции вытяжки. Необходима труба диаметром 120/150 мм. Подключить один конец трубы к адаптеру, а другой конец к дымоходу.

Следует проверить, чтобы эти два соединения были надежно закреплены

таким образом, чтобы не сместились, когда вытяжка работает на максимальной скорости. Необходимо проверить, чтобы задвижки внутри дымохода функционировали при натяжке с зажимом. Установить соединительную трубу дымохода на адаптер. Если установить соединительную трубу дымохода внутри адаптера, всасывания воздуха не произойдет, так как задвижки, которые препятствуют обратному потоку воздуха, остаются закрытыми.

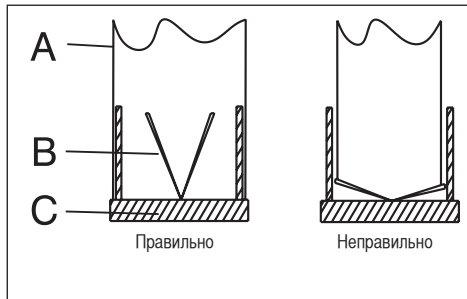
## 3 Установка прибора

Не рекомендуется подключаться к дымоходам, соединенным с плитой или выходными вентиляционными шахтами. Не следует подключаться к таким дымоходам. Соединения труб должны быть как можно более короткими и иметь минимальное количество колен.

- А: воздуховыпускное отверстие дымохода  
В: задвижки, препятствующие обратному потоку воздуха  
С: пластиковая труба

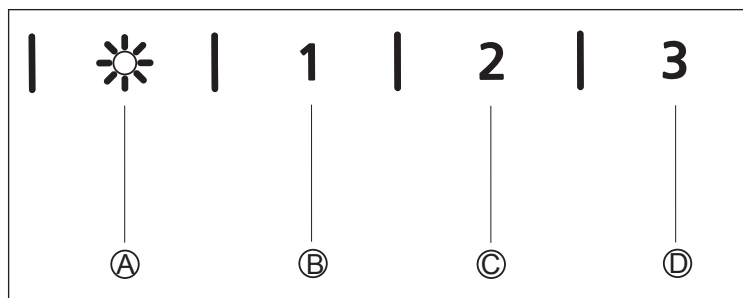
### 3.5.1 Система предотвращения обратного потока воздуха (N-RV)

Когда вытяжка работает, задвижки закрыты, чтобы предотвратить попадание извне возможных запахов и пыли.



(рисунок 9)

## 4 Эксплуатация ВЫТЯЖКИ



(рисунок 9)

**(A):** Кнопка вкл./выкл. освещения

**(B):** кнопка 1-го уровня

**(C):** кнопка 2-го уровня

**(D):** кнопка 3-го уровня

### 4.1 Цифровое электронное управление на 3 уровнях

**(A) Кнопка вкл./выкл. освещения:** при нажатии этой кнопки освещается варочная поверхность.

**Кнопка (B):** При нажатии этой кнопки устанавливается уровень 1 скорости работы вытяжки.

При повторном нажатии этой кнопки для отключения вытяжки индикация уровня скорости на дисплее исчезнет.

**Кнопка (C):** При нажатии этой кнопки устанавливается уровень 2 скорости работы вытяжки.

При повторном нажатии этой кнопки для отключения вытяжки индикация уровня скорости на дисплее исчезнет.

**Кнопка (D):** При нажатии этой кнопки устанавливается уровень 3 скорости работы вытяжки.

При повторном нажатии этой кнопки для отключения вытяжки индикация уровня скорости на дисплее исчезнет.

### Автоматическое отключение через 15 минут:

данный прибор оснащен функцией автоматического отключения, которая позволяет вентилировать помещение в течение дополнительного периода времени для удаления неприятного запаха и пара в помещении после завершения приготовлений пищи. Вытяжка автоматически прекращает работу по истечении определенного периода времени.

Чтобы включить функцию автоматического отключения, необходимо нажать любую из кнопок уровня скорости (B, C, D) на панели управления и удерживать более 2 секунд. Будет запущен таймер на 15 минут.

Если нажать ту же клавишу уровня скорости, когда функция автоматического отключения включена, функция будет отключена, и вытяжка прекратит работу.

При выборе другого уровня скорости эта функция будет отключена.

Для того чтобы вытяжка прекращала работу автоматически, необходимо включить функцию автоматического отключения снова.

Периодическая чистка металлических фильтров

Фильтры необходимо чистить каждые 60 часов работы или каждые 4 недели в зависимости от частоты использования.

### 4.2 Энергоэффективное использование

- Во время эксплуатации вытяжки следует отрегулировать уровень скорости в соответствии с интенсивностью запаха и пара, чтобы избежать ненужного потребления энергии.
- Следует использовать низкие уровни скорости в нормальных условиях (1–2) и высокий уровень скорости (3) при появлении более интенсивного запаха и более высокой концентрации пара.
- Лампы на вытяжке предназначены для освещения варочной поверхности.

Их использование для освещения пространства/кухни приведет к излишнему энергопотреблению и ненадлежащей освещенности.

### 4.3 Эксплуатация вытяжки

- Вытяжка оснащена двигателем с различными настройками скорости.
- Для получения оптимальных характеристик мы рекомендуем использовать низкие уровни скорости в нормальных условиях и высокие уровни скорости при появлении более интенсивного запаха и более высокой концентрации пара.
- Вытяжку можно запустить, нажав нужную кнопку уровня скорости (B, C, D).
- Для освещения варочной поверхности следует нажать кнопку освещения. (A)

Перед чисткой или обслуживанием необходимо отключить прибор от электросети, или выключить главный выключатель, или ослабить предохранитель, который подает питание к вытяжке.

### 5.1 Алюминиевый фильтр

Этот фильтр улавливает частицы масла в воздухе. Рекомендуется чистить фильтр раз в месяц при нормальных условиях эксплуатации. Для этого вначале следует снять алюминиевые фильтры. Промыть фильтры жидким моющим средством и ополоснуть водой. Затем установить обратно после того, как фильтры высохнут. Алюминиевые фильтры могут утратить свой цвет после мытья; это нормально и не требует замены фильтра.

#### 5.1.1 Снятие алюминиевых фильтров

1. Сдвинуть вперед фиксатор алюминиевого фильтра.
2. Затем слегка опустить его и потянуть вперед. В противном случае фильтр может погнуться (рисунок 10). После того, как алюминиевый фильтр вымыт и высушен, установить его обратно, придерживаясь шагов, описанных выше, в обратном порядке.

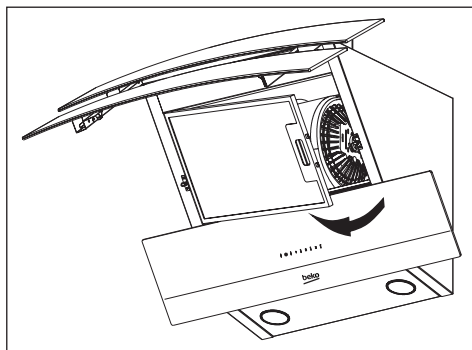


Рисунок 10



Алюминиевые фильтры можно мыть в посудомоечной машине.

### Угольный фильтр (использование без подключения к дымоходу)

Данный фильтр устраняет запахи от приготовления пищи. Если нет возможности использовать дымоход, фильтр будет очищать воздух, который циркулирует в кухне. Угольный фильтр вытяжки может со временем забиться, в зависимости от частоты использования, методов приготовления пищи и регулярной чистки алюминиевых фильтров.



**Осторожно!**

Запрещено мыть угольные фильтры.

Угольные фильтры можно приобрести у авторизованного технического специалиста компании Веко.

### 5.2.1 Замена угольного фильтра

- Снять алюминиевые фильтры Рисунок 10
- Чтобы снять угольный фильтр, необходимо повернуть фиксаторы против часовой стрелки и вынуть фильтр Рисунок 11
- Установить новый угольный фильтр.
- Установить алюминиевые фильтры.

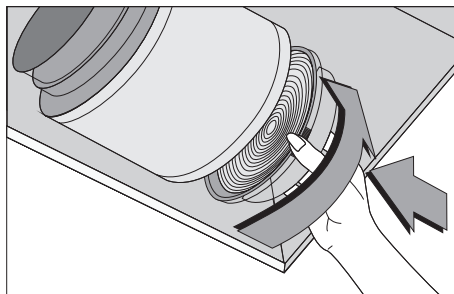


Рисунок 11

## 5 Чистка и уход

Фильтры, устраняющие запах, содержат уголь (активированный уголь).

Фильтры следует менять примерно каждые 6 месяцев.

Независимо от того, используется ли угольный фильтр, алюминиевые фильтры следует устанавливать всегда.

Не следует включать вытяжку, если алюминиевые фильтры не установлены. Использование угольного фильтра снижает эффективность всасывания вытяжки.

### 5.3 Чистка

Не следует пренебрегать чисткой вытяжки сразу после жарки.

Для очистки внешней поверхности вытяжки необходимо использовать мягкую ткань, смоченную жидким моющим средством.

Не следует использовать абразивные или царапающие материалы для чистки вытяжки.

Можно использовать коммерчески доступные чистящие средства для постоянной смазки и т. д., придерживаясь предупреждающих инструкций на продукте. Чтобы не поцарапать щеткой стальной корпус, необходимо протирать его в том же направлении со следом.

Не следует использовать чистящие средства, содержащие соляную кислоту, отбеливатель или абразивные порошки, чтобы сохранить качество поверхности прибора. Следует использовать ткань, смоченную в мыльной воде, или специальный спрей для очистки поверхностей из нержавеющей стали. Снять защитную пленку с вытяжки.



#### Осторожно!

Несоблюдение инструкций по очистке и замене фильтров вытяжки может привести к возникновению пожара.

В случае если необходимо перевезти прибор:

- Необходимо сохранять оригинальную упаковку вытяжки. Перевозить вытяжку следует в ее оригинальной упаковке, придерживаясь транспортной маркировки на упаковке.

В случае отсутствия оригинальной упаковки:

- не следует класть посторонние предметы на вытяжку;
- следует обезопасить внешнюю поверхность от ударов;
- следует упаковать вытяжку таким образом, чтобы не повредить ее во время транспортировки.

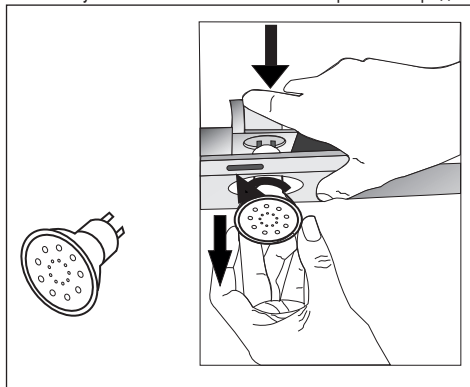
### 5.4 Замена ламп

Отсоединить вытяжку от розетки электросети.

Данный прибор оснащен светодиодными лампами мощностью 3 Вт.

Для замены светодиодная ламп следует нажать лампу вниз от задней части держателя лампы, затем повернуть лампу против часовой стрелки на 1/4 поворота и вынуть ее.

Установку новой лампы выполнять в обратном порядке.



Лампы можно приобрести у авторизованных технических специалистов.

# Vă rugăm să citiți mai întâi acest manual de utilizare!

Stimate client,

Vă mulțumim pentru că ați ales un produs Beko. Sperăm să obțineți cele mai bune rezultate de la produsul dumneavoastră, care este fabricat la o calitate înaltă folosind tehnologii performante. În acest scop, vă rugăm să citiți în întregime acest manual de utilizare și toate celelalte documente însoțitoare înainte de a utiliza produsul și să le păstrați pentru a le consulta pe viitor. Dacă transmiteți produsul altei persoane, oferiți-i și manualul de utilizare. Respectați toate avertismentele și informațiile din manualul de utilizare.

Rețineți că acest manual de utilizare este valabil și pentru alte modele. Diferențele dintre modele vor fi identificate în manual.

## Semnificația simbolurilor

În acest manual de utilizare sunt folosite următoarele simboluri:



Informații importante sau sfaturi utile privind utilizarea.



Avertisment privind punerea în pericol a vieții sau a bunurilor materiale.



Avertisment privind șocuri electrice.



Acest produs a fost fabricat folosind cele mai recente tehnologii, protejând mediul înconjurător.

# 1 Instrucțiuni importante privind siguranța și mediul

Această secțiune conține instrucțiuni privind siguranța, care au rolul de a preveni vătămrile corporale și pagubele materiale. Toate garanțiile vor fi anulate dacă nu respectați aceste instrucțiuni.

## 1.1 Siguranța generală

- Procedurile de instalare și reparare trebuie efectuate numai de un agent de service autorizat. Producătorul nu își asumă răspunderea pentru daunele survenite ca urmare a procedurilor efectuate de persoane neautorizate.
- Acest aparat nu este destinat utilizării de către persoane (inclusiv copii) cu capacități fizice, senzoriale sau mentale reduse, ori fără experiență și cunoștințe. Copii trebuie supravegheați pentru a nu se juca cu aparatul.

### 1.1.1 Siguranța electrică

- Deconectați produsul de la priză în timpul procedurilor de instalare, întreținere, curățare și reparare.

- În cazul în care cablul de alimentare este avariata, acesta trebuie înlocuit de producător, de centrul de service post-vânzare, de o persoană cu calificări similare (preferabil un electrician) sau de o persoană desemnată de importator, pentru a se preveni posibilele pericole.
- Tensiunea de funcționare este cuprinsă între 220 și 240 de volți.
- Dacă aparatul are o defecțiune, se va înceta folosirea sa până la repararea de către agentul de service autorizat. Pericol de șoc electric!
- Nu trasați cablul electric în apropierea plitelor. În caz contrar, cablul electric poate să provoace incendii, deoarece se topește ușor.
- Nu conectați hota la priză înainte de finalizarea instalării.
- Pentru o funcționare optimă, conducta de evacuare externă nu trebuie să fie mai lungă de 4 m. Nu trebuie să aibă mai mult de două unghiuri drepte (90°), iar diametrul trebuie să fie de minim  $\varnothing 120$  mm.
- Deconectați aparatul înainte de a efectua intervenții asupra pieselor interne ale acestuia.



# 1 Instrucțiuni importante privind siguranța și mediul

## 1.1.2 Siguranța produsului

- Folosiți o conductă cu diametrul de 120 mm sau 150 mm pentru racordul de evacuare al hotei.
- Nu racordați hota la căi de evacuare conectate la sobe, la hornuri pentru gaze arse sau la căi de evacuare prin care se ridică flăcări. Respectați regulile stabilite de autorități pentru evacuarea gazelor arse.
- Distanța dintre suprafața inferioară a hotei și suprafața superioară a plitei/cuptorului trebuie să fie de minim 65 cm.
- Nu folosiți hota fără filtrele de aluminiu și nu demontați filtrele în timpul funcționării.
- Nu atingeți lămpile hotei după ce au fost aprinse mult timp. Lămpile sunt fierbinți și pot provoca arsuri.
- Evitați producerea de flăcări mari sub produs. În caz contrar, particulele din filtrul de ulei se pot aprinde, provocând un incendiu.
- Porniți plitele după ce amplasați oale sau recipiente pe acestea. În caz contrar, căldura care se ridică poate să deformeze unele piese ale produsului.
- Oprii plitele înainte de a ridica oalele sau recipientele.
- Evitați amplasarea materialelor inflamabile sub hotă.
- Uleiul se poate aprinde în timpul prăjirii. Se va avea grijă la materialele textile și la perdele.
- Nu lăsați mașina de gătit nesupravegheată în timpul prăjirii; în caz contrar, uleiul încins se poate aprinde.
- Pericol de incendiu în cazul necurățării hotei la intervalele specificate.
- Hota trebuie curățată cu mare atenție, purtând mănuși.
- Recomandăm pornirea aparatului cu câteva minute înainte de începerea gătirii, pentru a spori forța de aspirare. Astfel, forța de aspirare va fi continuă și stabilă când se produc vapori.
- Lăsați hota să funcționeze încă 15 minute după terminarea gătitului, pentru a îndepărta mirosurile de mâncare din bucătărie.
- Asigurați-vă că mediul este ventilat cu aer curat în timpul funcționării hotei, în special în cazul mașinilor de gătit pe gaz.

# 1 Instrucțiuni importante privind siguranța și mediul

- Nu racordați aparatul la căi de evacuare folosite de aparate non-electrice. (De ex.: calea de evacuare a unui boiler).
- În cazul folosirii simultane a unui dispozitiv non-electric în aceeași încăpere cu hota, presiunea negativă din cameră trebuie să fie de maxim 0,4 mbari, pentru a preveni aspirarea gazelor arse ale celuilalt dispozitiv în încăpere.
- Durata de funcționare a aparatului este de 10 ani. Aceasta este perioada impusă pentru disponibilitatea pieselor de schimb necesare funcționării produsului.

## 1.1.3 Siguranța copiilor

- Ambalajele sunt periculoase pentru copii. Păstrați ambalajele într-un loc sigur, la care copiii nu au acces.
- Aparatele electrice sunt periculoase pentru copii. Nu lăsați copiii să se apropie de produs. Nu lăsați copiii să se joace cu produsul.

## 1.2 Destinație

- Acest aparat este destinat uzului casnic. Nu este adecvat pentru uz comercial și nu trebuie folosit în alte scopuri.
- Producătorul nu își asumă răspunderea pentru daunele produse în urma utilizării sau manipulării incorecte.

## 1.3 Conformitate cu Directiva DEEE și de depozitare a deșeurilor



Acest produs nu conține materialele dăunătoare și interzise descrise în „Directiva privind restricționarea utilizării anumitor substanțe periculoase în deșeuri de echipamente electrice și electronice” (DEEE) emisă de Ministerul Mediului și Urbanizării din Turcia.

Conform cu Directiva DEEE.

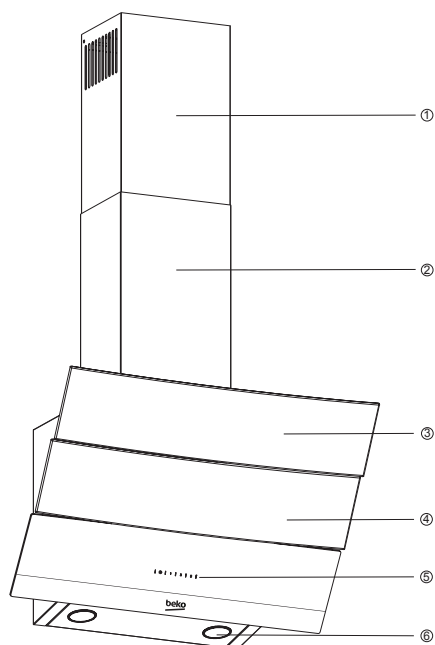
Acest produs a fost fabricat folosind componente și materiale de înaltă calitate, care pot fi refolosite și reciclate. Nu aruncați așadar produsul împreună cu gunoiul menajer la sfârșitul perioadei de utilizare. Duceți-l la un centru de colectare pentru reciclarea echipamentelor electrice și electronice. Vă rugăm să contactați autoritățile locale pentru a afla unde este cel mai apropiat punct de colectare. Contribuiți la protejerea mediului și a resurselor naturale prin reciclarea produselor uzate.

## 1.4 Informații despre ambalaj



Ambalajul produsului este fabricat din materiale reciclabile, conform legislației naționale. Nu aruncați ambalajul împreună cu gunoiul menajer sau cu alte tipuri de deșeuri; transportați-l la centrele de colectare a ambalajelor specificate de autoritățile locale.

## 2 Specificații tehnice ale aparatului



1. Evacuare internă
2. Evacuare externă
3. Capac din sticlă
4. Filtru (sub capacul din sticlă)
5. Panou de comandă
6. Iluminare

(Figura 1)

	HCA 92640 BH	HCA 92640 WH	HCA 62640 W	HCA 62640 WH
Lățime	896 mm	896 mm	596 mm	596 mm
Adâncime	393 mm	393 mm	386 mm	386 mm
Înălțime	750 mm / 1130 mm	750 mm / 1130 mm	750 mm / 1080 mm	750 mm / 1080 mm
Tensiune de alimentare	220 - 240 V, 50 Hz	220 - 240 V, 50 Hz	220 - 240 V, 50 Hz	220 - 240 V, 50 Hz
Comandă	Cu 3 niveluri	Cu 3 niveluri	Cu 3 niveluri	Cu 3 niveluri
Putere lampă	2 x 3 W	2 x 3 W	2 x 3 W	2 x 3 W
Conductă de evacuare a aerului	120 / 150 mm	120 / 150 mm	120 / 150 mm	120 / 150 mm
Capacitate	577 m <sup>3</sup> /h	577 m <sup>3</sup> /h	537 m <sup>3</sup> /h	537 m <sup>3</sup> /h
Putere motor	1 x 210 W	1 x 210 W	1 x 210 W	1 x 210 W
Putere totală:	216 W	216 W	216 W	216 W
Greutate netă	13 kg	13 kg	10,4 kg	10,4 kg
Culoare	Negru	Alb	Alb	Alb

Valorile indicate pe etichetele produsului sau în documentația însoțitoare sunt obținute în condiții de laborator, în conformitate cu standardele relevante. Aceste valori pot să varieze în funcție de utilizarea produsului și de condițiile ambientale.

## 2 Specificații tehnice ale aparatului

	HCA 62640 B	HCA 62640 BH	HCA 62540 B	HCA 92540 B
Lățime	596 mm	596 mm	596 mm	896 mm
Adâncime	386 mm	386 mm	386 mm	393 mm
Înălțime	750 mm /1080 mm	750 mm /1080 mm	750 mm /1080 mm	750 mm /1130 mm
Tensiune de alimentare	220 - 240 V, 50 Hz	220 - 240 V, 50 Hz	220 - 240 V, 50 Hz	220 - 240 V, 50 Hz
Comandă	Cu 3 niveluri	Cu 3 niveluri	Cu 3 niveluri	Cu 3 niveluri
Putere lampă	2 x 3 W	2 x 3 W	2 x 3 W	2 x 3 W
Conductă de evacuare a aerului	120 / 150 mm	120 / 150 mm	120 / 150 mm	120 / 150 mm
Capacitate	537 m <sup>3</sup> /h	537 m <sup>3</sup> /h	566 m <sup>3</sup> /h	593 m <sup>3</sup> /h
Putere motor	1 x 210 W	1 x 210 W	1 x 210 W	1 x 210 W
Putere totală:	216 W	216 W	216 W	216 W
Greutate netă	10,4 kg	10,4 kg	10,4 kg	13 kg
Culoare	Negru	Negru	Negru	Negru

	HCA 62641 BH	HCA 62641 WH	HCA 92641 BH	HCA 92641 WH
Lățime	596 mm	596 mm	896 mm	896 mm
Adâncime	386 mm	386 mm	393 mm	393 mm
Înălțime	750 mm /1080 mm	750 mm /1080 mm	750 mm /1130 mm	750 mm /1130 mm
Tensiune de alimentare	220 - 240 V, 50 Hz	220 - 240 V, 50 Hz	220 - 240 V, 50 Hz	220 - 240 V, 50 Hz
Comandă	Cu 3 niveluri	Cu 3 niveluri	Cu 3 niveluri	Cu 3 niveluri
Putere lampă	2 x 3 W	2 x 3 W	2 x 3 W	2 x 3 W
Conductă de evacuare a aerului	120 / 150 mm	120 / 150 mm	120 / 150 mm	120 / 150 mm
Capacitate	638 m <sup>3</sup> /h	638 m <sup>3</sup> /h	648 m <sup>3</sup> /h	648 m <sup>3</sup> /h
Putere motor	1 x 210 W	1 x 210 W	1 x 210 W	1 x 210 W
Putere totală:	216 W	216 W	216 W	216 W
Greutate netă	10,4 kg	10,4 kg	13 kg	13 kg
Culoare	Negru	Alb	Negru	Alb

### 3 Instalarea aparatului

Apelați la cel mai apropiat **agent de service autorizat** pentru instalarea hotei.

\*Pregătirea locației și a instalației electrice a produsului reprezintă responsabilitatea clientului.



#### Atenție!

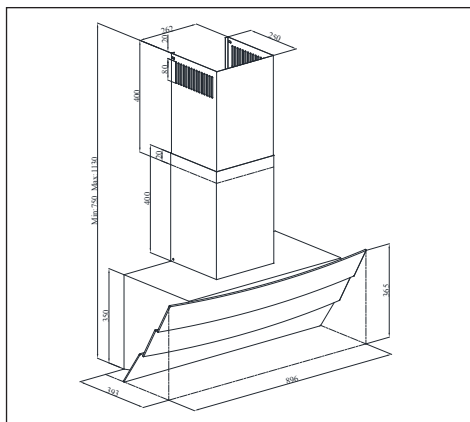
Îndepărtați folia de protecție (dacă există) de pe hotă și de pe suprafața căii de evacuare după instalare.

Distanța dintre suprafața inferioară a hotei și suprafața superioară a plitei trebuie să fie de minim 65 cm.

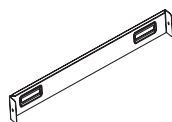
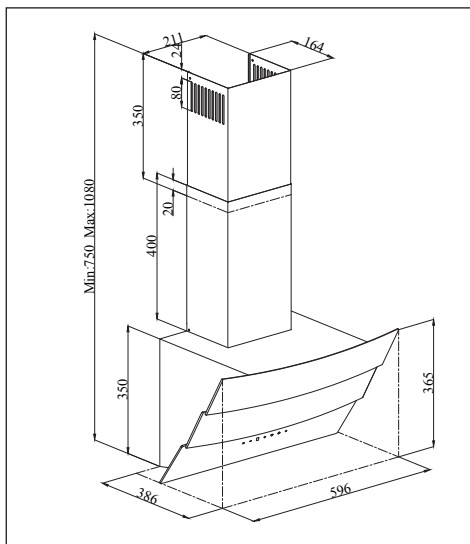
Racordul electric trebuie efectuat de un electrician calificat.

Instalați aparatul astfel încât să aveți acces facil la racordul electric (ștecher, priză) după instalare.

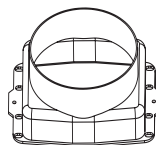
Dimensiunile sunt date în mm.



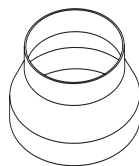
(Figura 2)



1 x placă de racordare evacuare



1 x evacuare din plastic Ø150 mm



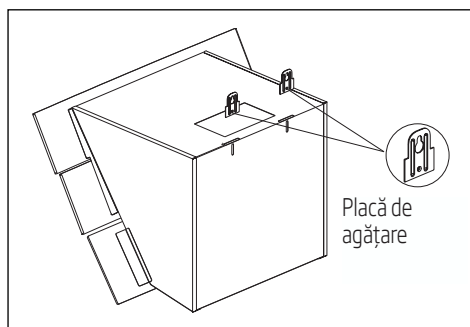
1 x adaptor evacuare din plastic Ø120/150 mm

## 3 Instalarea aparatului

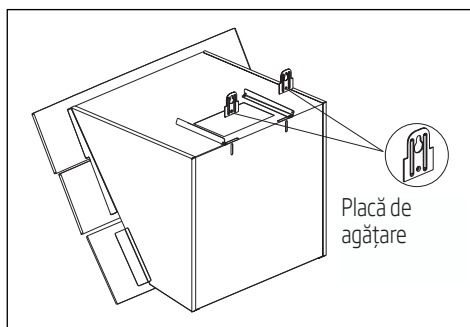
Informațiile necesare pentru pregătirea locului de instalare a hotei sunt prezentate mai jos.

### 3.2 Instalarea hotei pe perete

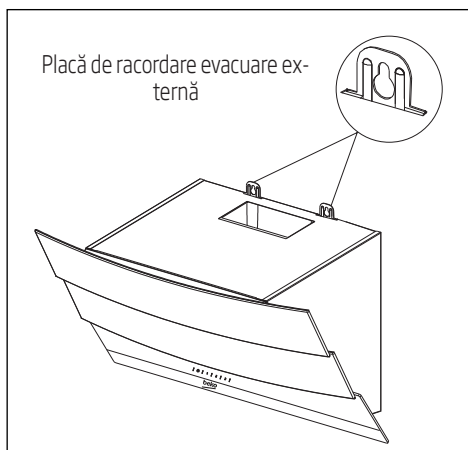
Pentru a monta hota pe perete, slăbiți șuruburile plăcilor de agățare de pe carcasa motorului și ridicați plăcile. Strângeți apoi șuruburile plăcilor de agățare. **(Figura 3a).**



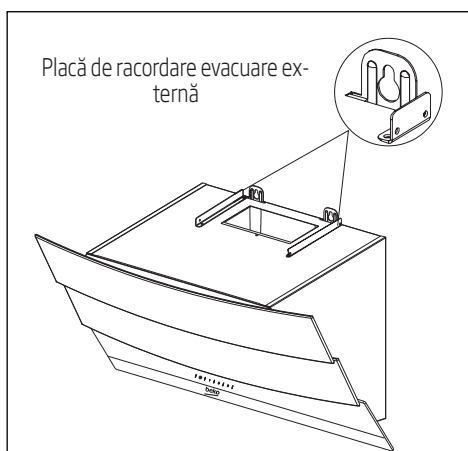
**(Figura 3a - 60)**



**(Figura 3a - 90)**



**(Figura 3b - 60)**

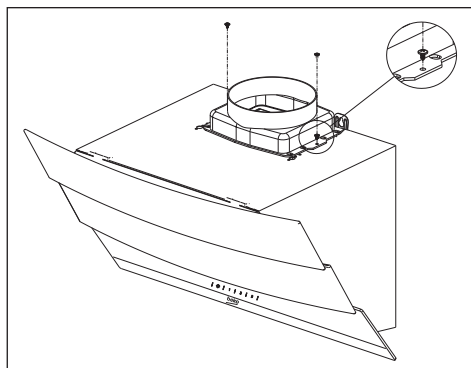


**(Figura 3b - 90)**

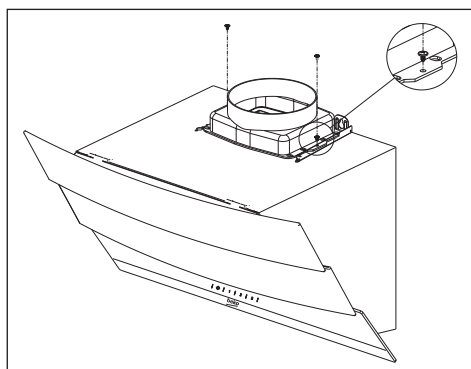
Fixați adaptorul de evacuare din plastic  $\varnothing$  150 mm pe partea superioară a carcasei folosind șurubul 3,5x9,5 inclus în accesoriile de instalare **(Figura 4).**

Dacă veți folosi o conductă de evacuare  $\varnothing$  120 mm, montați adaptorul de evacuare  $\varnothing$  120 mm pe aceasta.

### 3 Instalarea aparatului



(Figura 4 - 60)

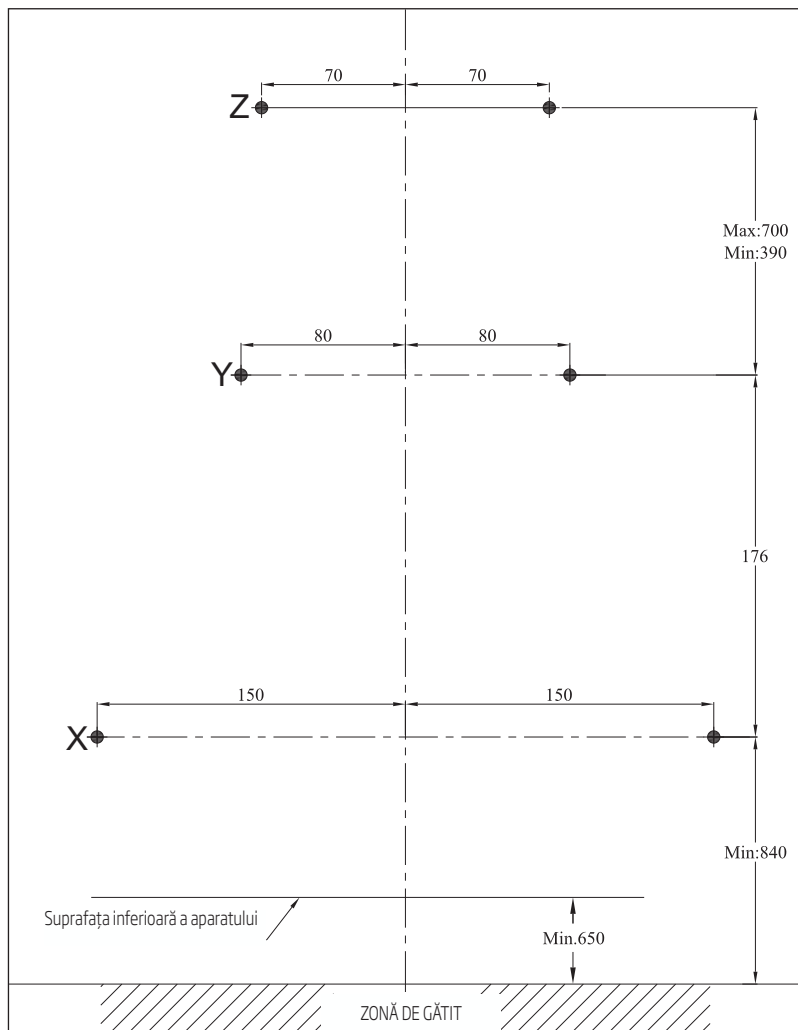
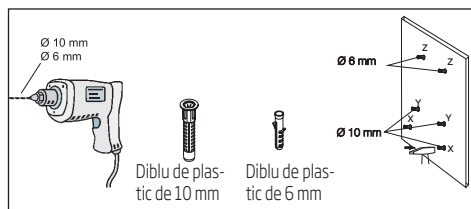


(Figura 4 - 90)

## 3 Instalarea aparatului

### 3.2.1 Realizarea orificiilor de agățare

Fixați șablonul de instalare pe locul de instalare a hotăi. Dați găuri în punctele marcate cu (X,Y) (**Figura 5**) cu un burghiu de  $\varnothing 10$  mm și în punctele marcate cu (Z) (**Figura 5**) cu un burghiu de  $\varnothing 6$  mm.



(Figura 5)



## 3 Instalarea aparatului

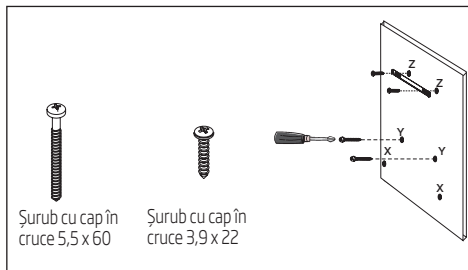
### 3.2.2 Introducerea diblurilor

Introduceți cu ajutorul ciocanului diblurile de  $\varnothing 10$  mm (X,Y) în orificiile realizate pentru șuruburile de agățare. Introduceți cu ajutorul ciocanului diblurile  $2 \times \varnothing 6$  mm (Z) în orificiile realizate cu burghiul de  $\varnothing 6$  mm pentru placa de racordare a evacuării externe. **(Figura 5)**

### 3.2.3 Instalarea șuruburilor de agățare

Instalați șuruburile de agățare 5,5x60 în diblurile de  $\varnothing 10$  mm (Y) pe care le-ați introdus în perete. Între capul șurubului și perete trebuie să existe o distanță de 5 mm. **(Figura 6)**

Conectați placa de racordare a evacuării interne la diblurile de 6 mm (Z) din perete folosind șuruburi  $\varnothing 3,9 \times 22$ . **(Figura 6)**



**(Figura 6)**

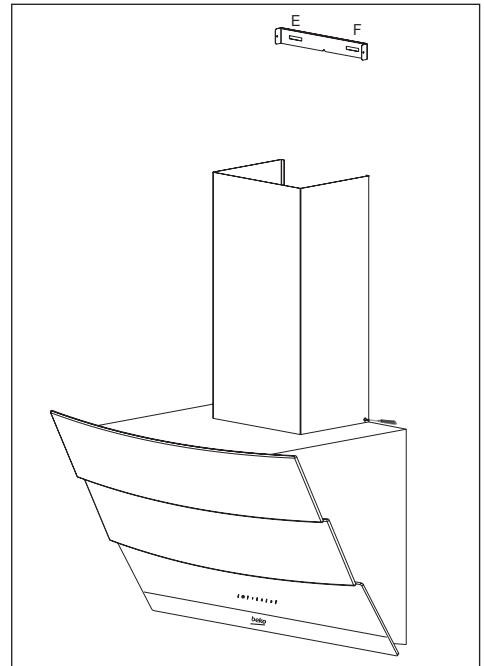
### 3.2.4 Agățarea hotei pe perete

- Agățați hota pe șuruburile instalate în orificiile Y.
- Deschideți fereastra de aspirare laterală a hotei trăgând-o spre dvs. Montați șuruburile 5,5x60 în orificiile X din interior pentru a fixa aparatul.

### 3.3 Instalarea evacuării hotei

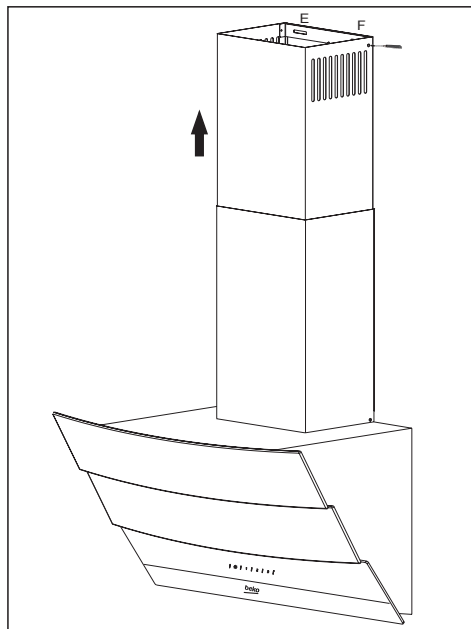
Deconectați produsul de la priză înainte de a începe instalarea evacuării. Montați piesele din tablă ale evacuării în jurul carcasei.

Înșurubați evacuarea externă pe plăcile de conectare a evacuării externe de pe carcasa motorului. **(Figura 3b / 7)**



## 3 Instalarea aparatului

Extindeți și înșurubați evacuarea internă dinspre marginile exterioare pe placa de conectare a evacuării fixată pe perete (**Figura 8**).



(Figura 8)

### 3.4.1 Utilizarea cu racord de evacuare

- Vaporii sunt eliminați prin conducta de evacuare, care este fixată pe hotă.
- Diametrul conductei de evacuare trebuie să fie egal cu diametrul inelului de conectare. Pentru a evacua cu ușurință aerul din cameră în cazul dispunerii orizontale, conducta trebuie să fie ușor înclinată în sus (la aproximativ 10°).

### 3.4.2 Utilizarea fără racord de evacuare

- Aerul este filtrat prin filtrul cu carbon și este trimis înapoi în cameră. Filtrul de carbon este folosit când încăperea nu are o cale de evacuare.
- Dacă hota va fi folosită fără racord de evacuare, demontați derivatorul din adaptorul de evacuare.
- Demontați filtrul din aluminiu. Pentru a monta filtrul de carbon, centrați filtrul de carbon pe piesa de plastic de pe ambele părți ale carcasei ventilatorului și fixați-l pe cleme. Fixați filtrul rotind clemele la stânga sau la dreapta.
- Montați filtrul din aluminiu.

## 3.5 Racordul la evacuare:

Amplasați adaptorul furnizat împreună cu hota pe orificiul de ventilare din partea superioară a hotei. Procurați o conductă cu diametrul de 120/150 mm. Conectați un capăt al conductei la adaptor și celălalt capăt la calea de evacuare.

Asigurați-vă că cele două conexiuni sunt suficient de bine fixate

pentru a nu se desprinde când hota funcționează la turație maximă. Verificați dacă clapetele din evacuare sunt funcționale după strângerea clemei. Montați conducta de racordare la evacuare pe adaptor. Dacă montați conducta de racordare la evacuare în interiorul adaptorului, aerul nu va fi aspirat deoarece clapetele care previn curentul invers de aer vor rămâne închise.

## 3 Instalarea aparatului

Nu se recomandă racordarea la căi de evacuare conectate la sobe sau la căi de evacuare pentru gaze arse. Nu racordați hota la astfel de căi de evacuare. Conducta de racordare trebuie să fie cât mai scurtă și cu cât mai puține coturi.

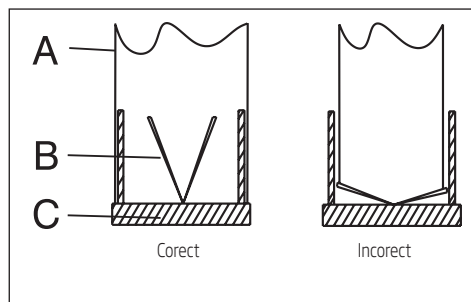
A: Conductă de evacuare

B: Clapete pentru prevenirea curentului invers

C: Evacuare din plastic

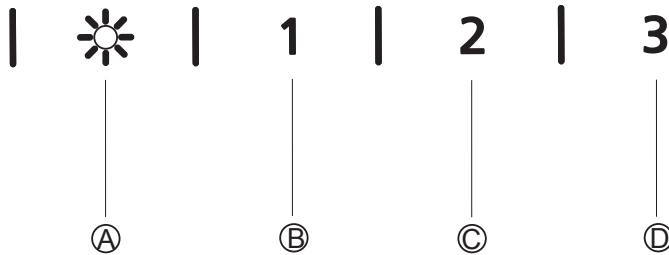
### 3.5.1 Sistem de prevenire a curentului invers (N-RV)

La folosirea hotei, clapetele se închid pentru a preveni intrarea mirosurilor și prafului dinspre exterior spre interior.



(Figura 9)

## 4 Utilizarea aparatului



(Figura 9)

**(A):** Tastă de aprindere / stingere a lămpii

**(B):** Tastă nivel 1

**(C):** Tastă nivel 2

**(D):** Tastă nivel 3

### 4.1 Control electronic digital cu 3 niveluri

**(A) Tastă de aprindere / stingere a lămpii:** Puteți să iluminați zona de gătit apăsând această tastă.

**Tasta (B):** Puteți să porniți hota la turația 1 apăsând această tastă.

Apăsați din nou această tastă pentru a opri aparatul; indicatorul de turație de pe afișaj se va stinge.

**Tasta (C):** Puteți să porniți hota la turația 2 apăsând această tastă.

Apăsați din nou această tastă pentru a opri aparatul; indicatorul de turație de pe afișaj se va stinge.

**Tasta (D):** Puteți să porniți hota la turația 3 apăsând această tastă.

Apăsați din nou această tastă pentru a opri aparatul; indicatorul de turație de pe afișaj se va stinge.

### Oprire automată în 15 min.:

Acest aparat este echipat cu o funcție de oprire automată, pentru ventilarea încăperii o perioadă suplimentară de timp cu scopul îndepărtării mirosurilor neplăcute și a vaporilor după terminarea gătitului. Aparatul se oprește automat după o anumită perioadă de timp.

Pentru a activa funcția de oprire automată, apăsați oricare dintre tastele de turație (B, C, D) de pe panoul de comandă mai mult de 2 secunde. Va fi activat temporizatorul de 15 minute.

Dacă apăsați aceeași tastă de turație în timp ce funcția de oprire automată este activată, funcția va fi dezactivată, iar aparatul se va opri.

Dacă selectați altă treaptă de turație, funcția va fi dezactivată.

Dacă doriți ca aparatul să se oprească automat, trebuie să activați din nou funcția de oprire automată.

## 4 Utilizarea aparatului

### Curățarea periodică a filtrelor metalice:

Filtrele trebuie curățate la fiecare 60 de ore de funcționare, sau la 4 săptămâni, în funcție de frecvența utilizării.

### 4.2 Utilizarea economică:

- Când utilizați hota, reglați turația în funcție de intensitatea mirosurilor și vaporilor, pentru a evita consumul inutil de energie.
- Folosiți turații reduse în condiții normale (1-2) și turație ridicată (3) în cazul intensificării mirosului și vaporilor.
- Lămpile hotei sunt destinate iluminării zonei de gătit.

Utilizarea lor pentru iluminarea ambientală/a bucătăriei va avea ca efect consumul inutil de energie și iluminarea inadecvată.

### 4.3 Utilizarea hotei:

- Hota este echipată cu un motor cu diferite trepte de turație.
- Pentru performanțe optime, vă recomandăm să folosiți turații reduse în condiții normale și turații ridicate în cazul intensificării mirosului și vaporilor.
- Porniți hota apăsând tasta nivelului de turație dorit (B, C, D).
- Puteți să iluminați zona de gătit apăsând tasta lămpii. (A)

## 5 Curățarea și întreținerea

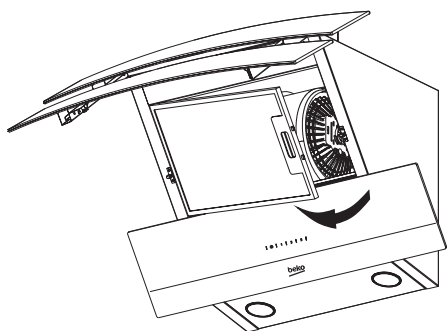
Înainte de curățare și întreținere, scoateți aparatul din priză, opriți curentul de la comutatorul general sau scoateți sigurața circuitului de alimentare a hoteli.

### 5.1 Filtru din aluminiu

Acest filtru captează particulele de ulei din aer. Vă recomandăm să curățați lunar filtrul în cazul utilizării normale. Pentru aceasta, demontați mai întâi filtrele din aluminiu. Spălați filtrele cu detergent lichid și clătiți-le cu apă, apoi instalați-le la loc după ce se usucă. Filtrele din aluminiu se pot decolora pe măsură ce sunt spălate; acest lucru este normal și nu este necesară schimbarea filtrului.

#### 5.1.1 Demontarea filtrelor din aluminiu

1. Împingeți înainte blocajul filtrului din aluminiu.
2. Coborâți-l apoi ușor și trageți-l în față. În caz contrar, riscați să îndoiiți filtrul. (Figura 10) După spălarea și uscarea filtrului din aluminiu, montați la loc filtrul în fanta sa urmând etapele de mai sus în ordine inversă.



(Figura 10)



Filtrele din aluminiu pot fi spălate și în mașina de spălat vase.

### Filtru cu carbon (utilizarea fără evacuare)

Acest filtru elimină mirosurile de la gătire. Dacă nu este posibilă utilizarea unei căi de evacuare, acesta purifică aerul recirculat în bucătărie. Filtrul cu carbon al aparatului se va înfunda cu timpul, în funcție de frecvența de utilizare, stilul de gătit și curățarea periodică a filtrelor din aluminiu.



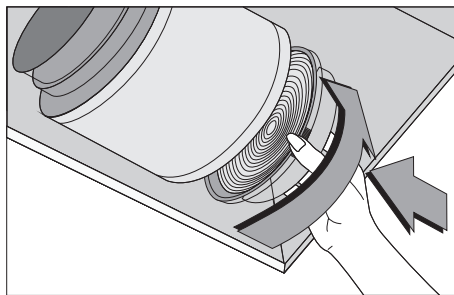
#### Atenție!

Filtrul cu carbon nu trebuie spălat niciodată.

**Puteți să obțineți filtre cu carbon de la agenții de service autorizați Beko.**

#### 5.2.1 Înlocuirea filtrului cu carbon

- Demontați filtrele din aluminiu. (Figura 10)
- Pentru a demonta filtrul cu carbon, rotiți lamelele în sens anti-orar și deblocați filtrul. (Figura 11)
- Montați noul filtru cu carbon.
- Montați filtrele din aluminiu.



(Figura 11)

## 5 Curățarea și întreținerea

Filtrele anti-mirosuri conțin carbon activ.

Acestea trebuie schimbate la intervale de circa 6 luni.

Indiferent dacă folosiți sau nu un filtru cu carbon, filtrele din aluminiu trebuie să fie montate întodeauna.

Nu folosiți aparatul fără filtrul din aluminiu montat. Folosirea filtrului cu carbon va reduce puterea de aspirare a aparatului.

### 5.3 Curățarea

Vă recomandăm să curățați hota imediat după prăjire.

Folosiți o cârpă moale înmuiată în detergent lichid pentru a curăța suprafața exterioară a hotei.

Nu folosiți materiale abrazive sau ascuțite pentru curățare.

Puteți să folosiți substanțe de curățare a grăsimii persistente disponibile în comerț, respectând avertismentele de pe produs. Pentru a nu zgâria carcasa din oțel mat, ștergeți pe direcția modelului mat.

Pentru a nu deteriora suprafața produsului, nu folosiți substanțe de curățare care conțin acid clorhidric, înălbitor sau praf abraziv. Folosiți o cârpă înmuiată în apă cu săpun sau un spray special pentru curățarea suprafețelor din oțel inoxidabil. Îndepărtați folia de protecție de pe aparat.



#### Atenție!

Pericol de incendiu în cazul nerespectării instrucțiunilor de curățare și înlocuire a filtrelor hotei.

Dacă trebuie să transportați aparatul:

- Păstrați ambalajul original al aparatului. Transportați aparatul în ambalajul său original și respectați indicațiile de transport de pe ambalajul original.

### Dacă nu aveți ambalajul original:

- Nu așezați obiecte pe hotă.
- Protejați suprafața exterioară de lovituri.
- Ambalați aparatul astfel încât să nu se deterioreze în timpul transportului.

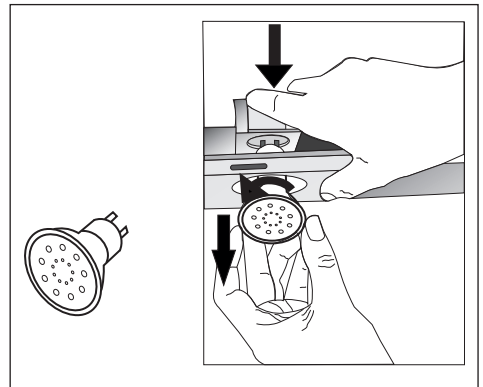
### 5.4 Înlocuirea lămpilor

Deconectați hota de la priză.

Acest aparat este echipat cu lămpi 3 W LED.

Pentru a înlocui lămpile LED, apăsați partea din spate a suportului lămpii pentru a debloca lampa. Rotiți-o apoi în sens anti-orar cu 1/4 de tură și demontați-o.

Parcurgeți etapele de mai sus în ordine inversă pentru a monta lămpile noi.



Puteți să procurați lămpi de la agenții de service autorizați.

# Palun lugege esmalt kasutusjuhendit!




Lugupeetud klient!

Aitäh, et otsustasite Beko toote kasuks. Loodetavasti jääte selle kaasaegse tehnoloogia järgi valmistatud kvaliteetse toote tööga rahule. Selleks tutvuge enne toote kasutamist hoolikalt kasutusjuhendi ja kõigi kaasasolevate dokumentidega ja hoidke need alles. Kui annate toote üle uuele omanikule, pange kaasa ka kasutusjuhend. Järgige kõiki kasutusjuhendis toodud hoiatusi ja juhiseid.

Võtke arvesse, et see kasutusjuhend kehtib ka mitme muu mudeli jaoks. Mudelitevahelised erinevused tuuakse juhendis välja.

## Sümbolite selgitus

Selles juhendis kasutatavad sümbolid on järgmised.

	Oluline teave või kasulikud nõuanded.
	Elu ja varaga seotud ohtlike olukordade hoiatus.
	Hoiatus elektrilöögi kohta.



See toote tootmiseks kasutati uusimat tehnoloogiat keskkonnasõbralikes tingimustes.



Käesolev jaotis sisaldab ohutusjuhiseid, mis aitavad teil vältida kehavigastusi ja varalist kahju. Nende juhiste mittejärgmise korral tühistatakse kõik garantiid.

## 1.1 Üldine ohutus

- Jätke paigaldus ja remont alati volitatud hooldustehniku hooleks. Tootja ei vastuta kahjude eest, mis tulenevad volitamata isikute tehtud protseduuridest.
- Seda seadet ei tohi kasutada isikud (sh lapsed), kellel on piiratud füüsilised, sensoorsed või vaimsed võimed või puudulikud kogemused ja teadmised. Lapsi tuleks valvata, et nad seadmega ei mängiks.

### 1.1.1 Elektriohutus

- Paigaldamise, hoolduse, puhastamise ja remondi ajal lahutage toode toitevõrgust.
- Kahjustatud toitejuhtme peab välja vahetama tootja, teenindus või muu pädev, vastava sertifikaadiga asutus või inimene (eelistatavalt elektrik) või maaletooja määratud inimene.
- Tööpinge on 220-240 V.

- Kui seade läheb rikki, ei tohi seda kasutada enne, kui volitatud hooldustehnik on rikke kõrvaldanud. Elektrilöögi oht!
- Hoidke toitejuhe pliidiplaatidest eemal. Toitejuhe võib põhjustada tulekahju, sest see sulab kergesti.
- Ärge lülitage õhupuhastit sisse enne, kui paigaldamine on lõpule viidud.
- Parimate tööomaduste tagamiseks ei tohi väline suitsutoru olla pikem kui 4 meetrit. Selles ei tohi olla rohkem kui 2 täisnurka (90°) ja läbimõõt peab olema vähemalt 120 mm.
- Enne seadme siseosade käsitlemist lahutage seade vooluvõrgust.

### 1.1.2 Toote ohutu kasutamine

- Õhupuhasti suitsutoruühenduse tegemiseks võib kasutada 120 mm või 150 mm läbimõõduga toru.
- Ärge ühendage ahjudega ühendatud suitsutorudega, väljalask kanalite ega suitsutorudega, millesse ulatuvad leegid. Järgige ametiasutuste kehtestatud heitõhu väljalaskmist käsitlevaid eeskirju.

- Õhupuhasti alumise pinna ja pliidi/ahju pealmise pinna vahelise ala kõrgus peab olema vähemalt 65 cm.
- Ärge kasutage õhupuhastit ilma alumiiniumfiltriteta ega eemaldage filtreid kasutamise ajal.
- Ärge puudutage õhupuhasti lampi, kui see on pikka aega töötanud. Lambid võivad olla tulised ja teie kätt kõrvetada.
- Vältige suurt leeki otse seadme all. Muidu võivad õlipüüduuri osakesed süttida ja põhjustada tulekahju.
- Lülitage pliidiplaat sisse alles pärast seda, kui olete panni või poti sellele asetanud. Muidu võib tõusev temperatuur seadme osi deformeerida.
- Lülitage pliidiplaat välja enne panni või poti eemaldamist.
- Ärge kasutage õhupuhasti all kergestisüttivaid materjale.
- Õli võib toidu praadimisel süttida. Olge rõivaste ja kardinatega ettevaatlik.
- Ärge jätke pliiti toidu praadimisel järelevalveta, sest keev õli võib põhjustada tulekahju.
- Kui õhupuhastit ei puhastada ettenähtud ajal, võib tekkida tulekahju oht.
- Olge õhupuhasti puhastamisel eriti ettevaatlik ja kandke kindaid.
- Soovitame seadme lülitada sisse mõned minutid enne toiduvalmistamise alustamist, et lasta imemisvõimsusel suurened. Nii on toiduvalmistamise aurude tõusmisel tagatud pidev ja stabiilne imemisvõimsus.
- Laske õhupuhastil töötada 15 minutit pärast küpsetamise või praadimise lõpetamist, et eemaldada köögist lõhnad ja toiduvalmistamise aurud.
- Õhupuhasti kasutamisel (eriti koos gaasipliidiga) veenduge, et ruumi ventileeritaks puhta õhuga.
- Ärge ühendage seadet õhupuhastitega, mida kasutavad mitteelektrilised seadmed (nt kamina suitsutoru).
- Kui õhupuhastiga samaaegselt kasutatakse samas ruumis mõnd muud seadet kui elektriseade, ei tohi negatiivne rõhk ruumis ületada 0,4 mbar, et õhupuhasti ei suunaks teise seadme heitgaase uuesti ruumi tagasi.

## 1.1.3 Laste ohutus

- Pakkematerjalid on lastele ohtlikud. Hoidke pakkematerjale ohutus kohas, kust lapsed neid kätte ei saa.
- Elektriseadmed on lastele ohtlikud. Hoidke lapsed tootest eemal. Ärge lubage lastel seadmega mängida.

## 1.2 Ettenähtud ots-tarve

- Seade on ettenähtud kasutamiseks ainult koduses majapidamises. See ei sobi komertskasutuseks ja seda ei tohi kasutada muuks kui ettenähtud otstarbeks.
- Tootja ei võta mingit vastutust väära kasutamise või käsitlemise tagajärjel tekkinud kahjude eest.
- Aeg, mille jooksul peavad saadaval olema toote nõuetekohaseks toimimiseks vajalikud varuosad on 10 aastat.

## 1.3 WEEE direktiivi täitmine ja romuseadme kõrvaldamine:



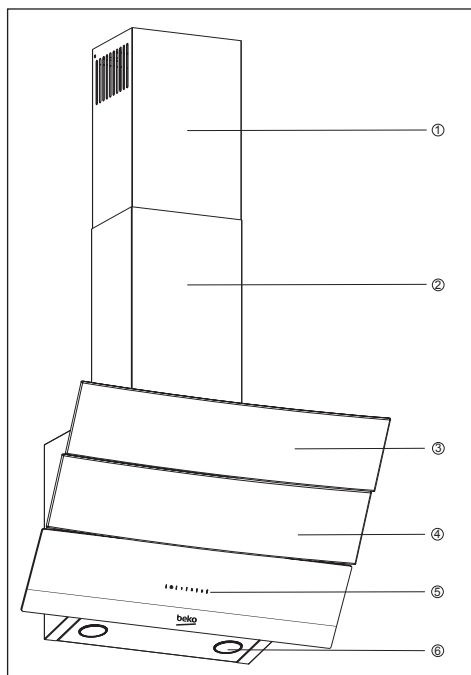
Seade vastab Euroopa Liidu WEEE direktiivile (2012/19/EL). Seadmel on elektri- ja elektroonikaseadmete jäätmete (WEEE) liigiti kogumise tähis.

Seade on valmistatud kvaliteetsetest osadest ja materjalidest, mis sobivad ringlussevõtmiseks ja taaskasutamiseks. Ärge visake tarbetuks muutunud seadet tavalise olmeprügi ega muude jäätmete hulka. Viige see elektri- ja elektroonikajäätmete kogumispunkti. Kogumispunktide kohta saate täpsemat teavet kohalikust omavalitsusest.

## 1.4 RoHS-direktiivi täitmine:

Seade vastab Euroopa Liidu RoHS-direktiivile (2011/65/EL). See ei sisalda direktiivis mainitud kahjulikke ja keelatud materjale.

## 2 Teie seadme tehnilised andmed



1. Sisemine suitsutoru
2. Väline suitsutoru
3. Klaaskate
4. Filter (klaaskatte all)
5. Juhtpaneel
6. Valgustus

(Joonis 1)

	HCA 92640 BH	HCA 92640 WH	HCA 62640 W	HCA 62640 WH
Laius	896 mm	896 mm	596 mm	596 mm
Sügavus	393 mm	393 mm	386 mm	386 mm
Kõrgus	750 mm /1130 mm	750 mm /1130 mm	750 mm /1080 mm	750 mm /1080 mm
Toitepinge	220-240 V, 50 Hz	220-240 V, 50 Hz	220-240 V, 50 Hz	220-240 V, 50 Hz
Juhtimine	3 taset	3 taset	3 taset	3 taset
Lambi võimsus	2 × 3 W	2 × 3 W	2 × 3 W	2 × 3 W
Õhuväljastustoru	120/150 mm	120/150 mm	120/150 mm	120/150 mm
Maht	577 m <sup>3</sup> /h	577 m <sup>3</sup> /h	537 m <sup>3</sup> /h	537 m <sup>3</sup> /h
Mootori võimsus	1 × 210 W	1 × 210 W	1 × 210 W	1 × 210 W
Koguvõimsus	216 W	216 W	216 W	216 W
Netokaal	13 kg	13 kg	10,4 kg	10,4 kg
Värv	Must	Valge	Valge	Valge

Tootesiltidel või dokumentatsioonis esitatud väärtused on saadud laboritingimustes vastavalt asjaomastele standarditele. Olenevalt toote töö- ja keskkonningimustest võivad tegelikud väärtused varieeruda.

## 2 Teie seadme tehnilised andmed

	HCA 62640 B	HCA 62640 BH	HCA 62540 B	HCA 92540 B
Laius	596 mm	596 mm	596 mm	896 mm
Sügavus	386 mm	386 mm	386 mm	393 mm
Kõrgus	750 mm /1080 mm	750 mm /1080 mm	750 mm /1080 mm	750 mm /1130 mm
Toitepinge	220-240 V, 50 Hz	220-240 V, 50 Hz	220-240 V, 50 Hz	220-240 V, 50 Hz
Juhtimine	3 taset	3 taset	3 taset	3 taset
Lambi võimsus	2 × 3 W	2 × 3 W	2 × 3 W	2 × 3 W
Õhuväljastustoru	120/150 mm	120/150 mm	120/150 mm	120/150 mm
Maht	537 m <sup>3</sup> /h	537 m <sup>3</sup> /h	566 m <sup>3</sup> /h	593 m <sup>3</sup> /h
Mootori võimsus	1 × 210 W	1 × 210 W	1 × 210 W	1 × 210 W
Koguvõimsus	216 W	216 W	216 W	216 W
Netokaal	10,4 kg	10,4 kg	10,4 kg	13 kg
Värv	Must	Must	Must	Must

	HCA 62641 BH	HCA 62641 WH	HCA 92641 BH	HCA 92641 WH
Laius	596 mm	596 mm	896 mm	896 mm
Sügavus	386 mm	386 mm	393 mm	393 mm
Kõrgus	750 mm /1080 mm	750 mm /1080 mm	750 mm /1130 mm	750 mm /1130 mm
Toitepinge	220-240 V, 50 Hz	220-240 V, 50 Hz	220-240 V, 50 Hz	220-240 V, 50 Hz
Juhtimine	3 taset	3 taset	3 taset	3 taset
Lambi võimsus	2 × 3 W	2 × 3 W	2 × 3 W	2 × 3 W
Õhuväljastustoru	120/150 mm	120/150 mm	120/150 mm	120/150 mm
Maht	638 m <sup>3</sup> /h	638 m <sup>3</sup> /h	648 m <sup>3</sup> /h	648 m <sup>3</sup> /h
Mootori võimsus	1 × 210 W	1 × 210 W	1 × 210 W	1 × 210 W
Koguvõimsus	216 W	216 W	216 W	216 W
Netokaal	10,4 kg	10,4 kg	13 kg	13 kg
Värv	Must	Valge	Must	Valge

### 3 Seadme paigaldamine

Küsige õhupuhasti paigaldamise kohta nõu **lähi-  
malt volitatud hooldustehnikult**.

\*Toote paigalduskoha ning elektrisüsteemi ette-  
valmistamine on kliendi ülesanne.



#### Ettevaatust!

Eemaldage pärast paigaldamist õhu-  
puhastilt ja suitsutoru pinnalt kaitse-  
kile (kui on olemas).

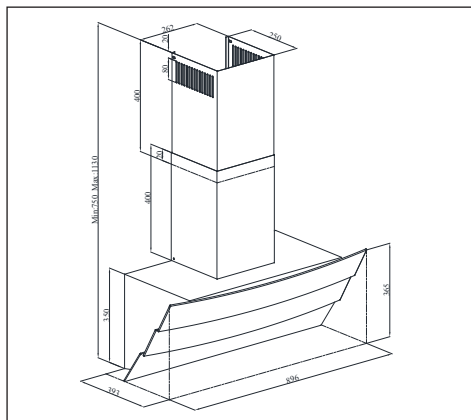
Õhupuhasti allosa ja pliidiplaatide vahelise ala va-  
hema ei tohiks olla vähem kui **65 cm**.

Seadme peab elektrivõrku ühendama kvalifitseeritud elektrik.

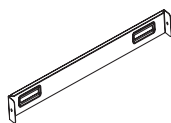
Paigaldage seade nii, et ulatute pärast paigaldamist hõlpsasti toiteühenduseni (pistik, pesa).

Mõõtmed on esitatud millimeetrites.

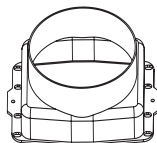
### 3.1 Paigaldustarvikud



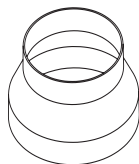
(Joonis 3b)



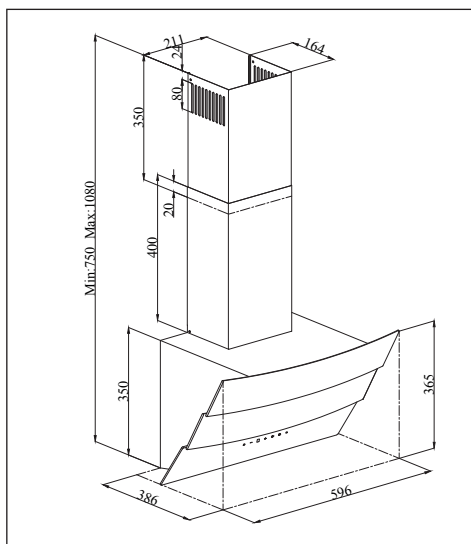
1 x suitsutoruplaat



1 x plastsuitsutoru (lä-  
bimõõduga 150 mm)



1 x plastsuitsutoru adapt-  
er (läbimõõduga 120/150  
mm)

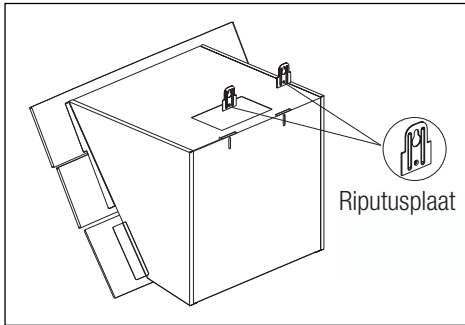


## 3 Seadme paigaldamine

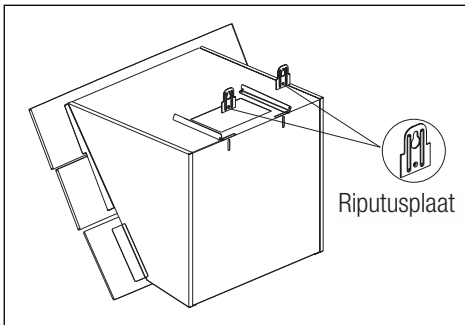
Allpool leiate teabe, mida on vaja õhupuhasti paigalduskoha ettevalmistamiseks.

### 3.2 Õhupuhasti paigaldamine seinale

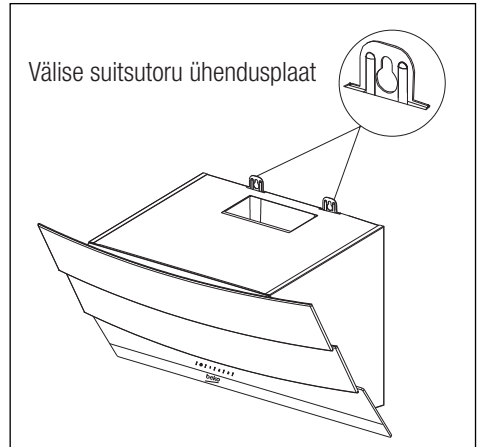
Õhupuhasti paigaldamiseks seinale keerake lahti riputusplaatide kruvid mootorikorpusel ja tõmmake plaate ülespoole. Seejärel keerake riputusplaadi kruvid kinni. (Joonis 3a).



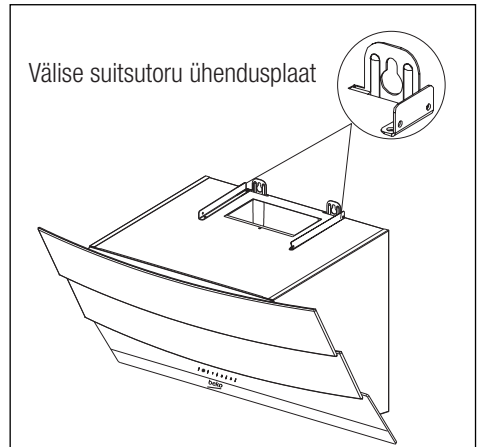
(Joonis 3a - 60)



(Joonis 3a - 90)



(Joonis 3b - 60)

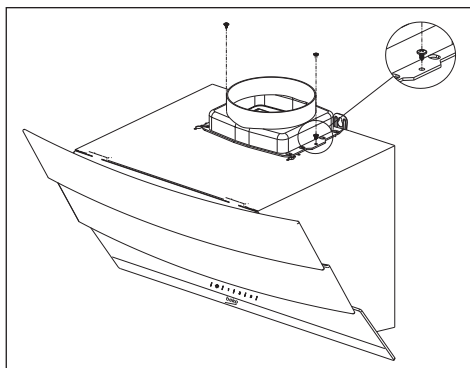


(Joonis 3b - 90)

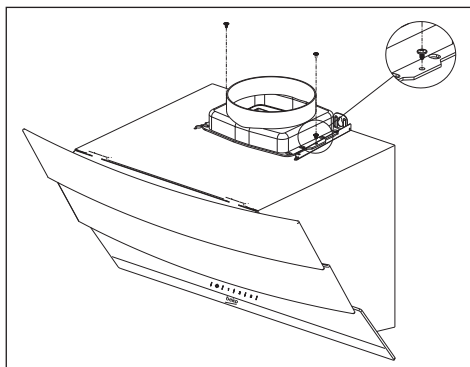
Kinnitage 150 mm läbimõõduga suitsutoru adapter korpuse ülaosa külge 3,5 × 9,5 kruvidega, mis kuulub paigaldustarvikute komplekti (joonis 4).

Kui kasutate 120 mm läbimõõduga suitsutoru, paigaldage 120 mm suitsutoruadapter.

### 3 Seadme paigaldamine



(Joonis 4 - 60)



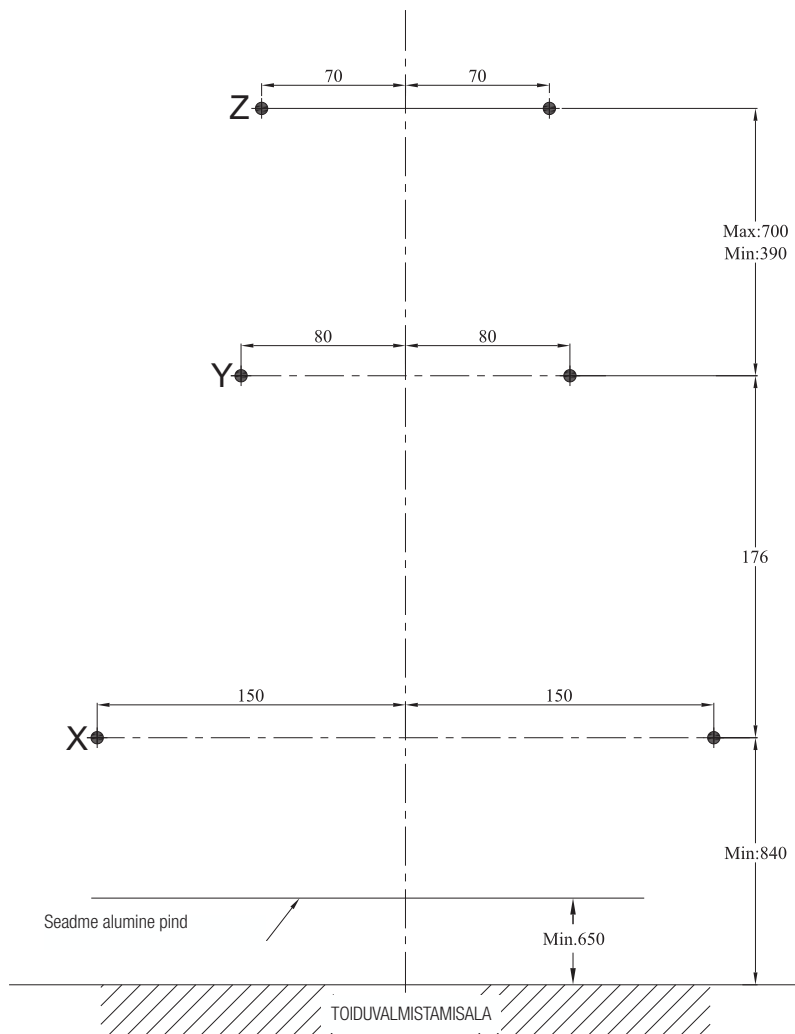
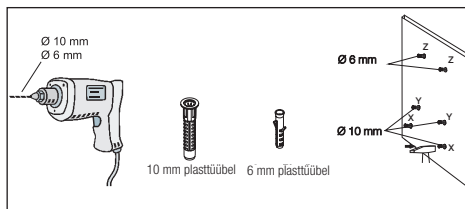
(Joonis 4 - 90)



## 3 Seadme paigaldamine

### 3.2.1 Riputusaukude puurimine

Kinnitage paigaldusmall õhupuhasti paigalduskohale. Puurige kinnitusmärgid (X, Y) (joonis 5) 10 mm puuriteraga ja kinnitusmärk (Z) (joonis 5) 6 mm teraga.



(Joonis 5)

## 3 Seadme paigaldamine

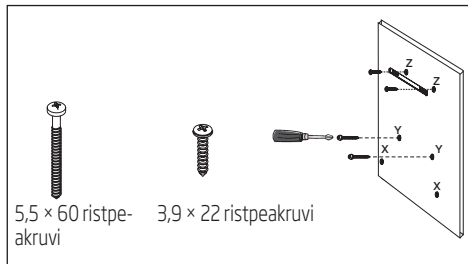
### 3.2.2 Tüüblite sisestamine

Lööge haamriga 10 mm läbimõõduga tüüblid (X,Y) riputuskruvide jaoks puuritud aukudesse. Sisestage kaks 6 mm läbimõõduga tüüblit (Z) 6 mm puuriteraga puuritud aukudesse välise suitsutoru ühendusplaadi jaoks. (Joonis 5)

### 3.2.3 Riputuskruvide paigaldamine

Paigaldage 5,5 × 60 riputuskruvid 10 mm läbimõõduga tüüblitesse, mille olete haamriga seinale löönud. Kruvi pea ja seinale peab jääma 5 mm vahe. (Joonis 6)

Ühendage sisemise suitsutoru ühendusplaat 6 mm tüüblitega (Z) seinale 3,9 × 22 läbimõõduga kruvide abil. (Joonis 6)



(Joonis 6)

### 3.2.4 Õhupuhasti riputamine seinale

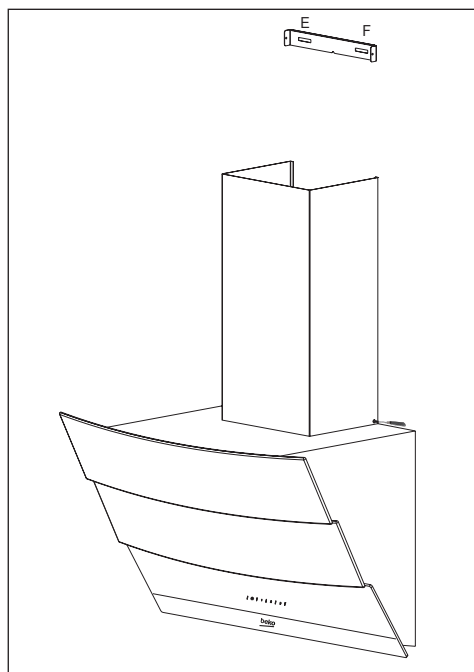
- Riputage õhupuhasti aukudesse Y paigaldatud kruvidele.
- Avage õhupuhasti külgmine imamisaken seda enda poole tõmmates. Seadme kinnitamiseks paigaldage 5,5 × 60 kruvid seespool asetsevasse aukudesse X.

## 3 Seadme paigaldamine

### 3.3 Õhupuhasti suitsutoru paigaldamine

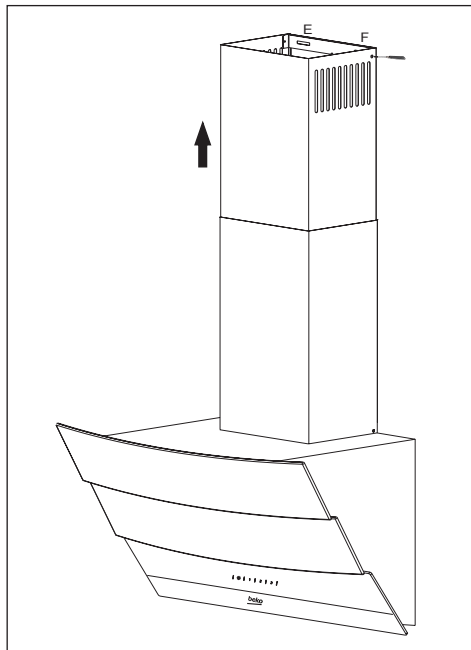
Enne suitsutoru paigaldamist lahutage toode vooluvõrgust. Paigaldage suitsutoru lehtmetailist osad ümber korpuse.

Kruvige väline suitsutoru mootorikorpusel asuvate välise suitsutoru ühendusplaatide külge. (Joonis 3b/7)



(Joonis 7)

Laiendage sisemist suitsutoru ning kruvige selle välisservad seinale kinnitatud suitsutoru ühendusplaadi külge (joonis 8).



(Joonis 8)

## 3 Seadme paigaldamine

### 3.4.1 Kasutamine suitsutoruühendusega

- Aur eemaldatakse suitsutoru kaudu, mis on kinnitatud õhupuhasti ühenduspea külge.
- Suitsutoru läbimõõt peaks võrduma ühendusrõnga läbimõõduga. Selleks, et õhk pääseks ruumist kergesti välja ka horisontaalse lahenduse korral, peaks toru olema veidi ülespoole kaldus (umbes 10°).

### 3.4.2 Kasutamine suitsutoruühendusega

- Õhk filtreeritakse läbi söefiltri ja suunatakse ruumi tagasi. Söefiltrit kasutatakse juhul, kui majas pole suitsutoru.
- Kui õhupuhastit kasutatakse suitsutoruühendusega, eemaldage suitsutoruadapteri sees olevad jaoturid.
- Eemaldage alumiiniumfilter. Söefiltri paigaldamiseks asetage see ventilaatorikorpuse mõlemal küljel asuva plastosa keskele ja kinnitage see klambritele. Filtri kinnitamiseks keerake klambreid paremale või vasakule.
- Paigaldage alumiiniumfilter.

## 3.5 Suitsutoruühendus:

Paigaldage õhupuhasti komplektis olev adapter õhupuhasti peal asuvasse ventilatsiooniasse. Hankige 120/150 mm läbimõõduga toru. Ühendage toru üks ots adapteriga ja teine ots suitsutoruga.

Veenduge, et ühendused on piisavalt tugevad, et need ei liiguks paigast, kui õhupuhasti töötab maksimumkiirusel. Kontrollige, kas suitsutoru sees olevad klapid töötavad pärast klambritega kinnitamist. Paigaldage suitsutoru ühendustoru adapterile. Kui paigaldate suitsutoru ühendustoru adapteri sisse, ei hakata õhku imema, kuna klapid, mis takistavad õhu tagasivoolu, jäävad suletuks.

Ärge ühendage ahjude või väljalaskekanalitega ühendatud suitsutorusid. Ärge ühendage selliseid suitsutorusid.

Toruühendus peab olema võimalikult lühike ning sellel peab olema minimaalselt torupõlvi.

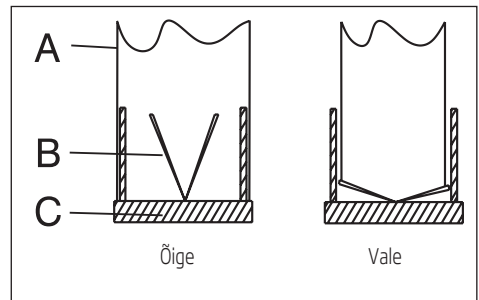
A: Suitsutoru väljastustoru

B: Tagasivoolu takistavad klapid

C: Plastsuitsutoru

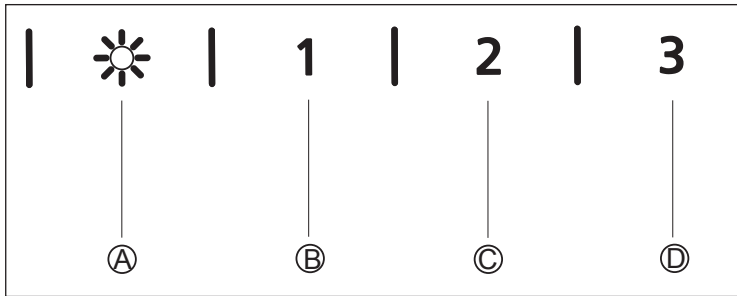
### 3.5.1 Tagasivoolu takistav süsteem (N-RV)

Kui õhupuhasti töötab, on klapid suletud, et võimalikud lõhnad ja tolm ei pääseks väljastpoolt siseruumi.



(Joonis 9)

## 4 Seadme kasutamine



(Joonis 9)

**(A):** Valgustuse sisse- ja väljalülitamise klahv

**(B):** 1. taseme klahv

**(C):** 2. taseme klahv

**(D):** 3. taseme klahv

### 4.1 Kolme tasemega digitaalne elektrooniline juhtelement

**(A) Valgustuse sisse- ja väljalülitamise klahv**  
Toiduvalmistamisala valgustamiseks vajutage seda klahvi.

**(B) klahv:** Selle nupu vajutamiseks saate õhupu-  
hasti tööle panna esimesel kiirusetasemel.

Kui vajutate seda klahvi uuesti seadme väljalülita-  
miseks, kaob infokuvalt kiirusetaseme tähis.

**(C) klahv:** Selle nupu vajutamiseks saate õhupu-  
hasti tööle panna teisel kiirusetasemel.

Kui vajutate seda klahvi uuesti seadme väljalülita-  
miseks, kaob infokuvalt kiirusetaseme tähis.

**(D) klahv:** Selle nupu vajutamiseks saate õhupu-  
hasti tööle panna kolmandal kiirusetasemel.

Kui vajutate seda klahvi uuesti seadme väljalülita-  
miseks, kaob infokuvalt kiirusetaseme tähis.

### Automaatne peatumine 15 minuti pärast

See seade on varustatud funktsiooniga Auto-  
Stop, mis võimaldab seadmel ruumi ventileerida  
täiendava aja jooksul, et pärast toiduvalmistamist  
eemaldada ruumist ebameeldivad lõhnad ja aur.  
Seade peatub automaatselt kindla ajavahemiku  
järel.

Funktsiooni Auto-stop lubamiseks vajutage juht-  
paneelil mis tahes kiirusetaseme klahvi (B, C, D)  
kauem kui 2 sekundit. Taimer aktiveeritakse 15  
minutiks.

Kui vajutate sama kiirusetaseme klahvi, kui funk-  
tsioon Auto-stop on lubatud, keelatakse funk-  
tsioon ja seade peatub.

Kui valite muu kiirusetaseme, siis see funktsioon  
keelatakse.

Kui soovite, et seade peatuks automaatselt, peate  
funktsiooni Auto-stop uuesti lubama.

### Metallfiltrite puhastamine

Filtreid peab puhastama iga 60 töötundi järel või  
iga nelja nädala tagant, olenevalt kasutuse sage-  
dusest.

### 4.2 Energiatõhus kasutamine

- Mittevajaliku energiatarbimise vältimiseks reguleerige õhupuhasti kasutamise ajal kiirusetaset vastavalt lõhna ja auru intensiivsusele.
- Soovitame tavatingimustes kasutada väiksemaid kiirusi (1-2) ja eriti tugevate toidulõhnade ja -aurude eemaldamiseks suuremaid kiirust (3).
- Õhupuhastil oleval tuled on ette nähtud toiduvalmistamisala valgustamiseks.

Nende kasutamine ruumi/köögi valgustamiseks toob kaasa mittevajaliku energiatarbimise ja eba-piisava valgustuse.

### 4.3 Õhupuhasti kasutamine

- Õhupuhasti on varustatud erinevate kiiruseseadetega mootoriga.
- Parima jõudluse huvides soovitame tavatingimustes kasutada väiksemaid kiirusi ja eriti tugevate toidulõhnade eemaldamiseks suuremaid kiirusi.
- Õhupuhasti käivitamiseks vajutage soovitud kiirusetaseme klahvi (B, C, D).
- Toiduvalmistamisala valgustamiseks vajutage valgusklahvi. (A)

## 5 Puhastamine ja hooldus

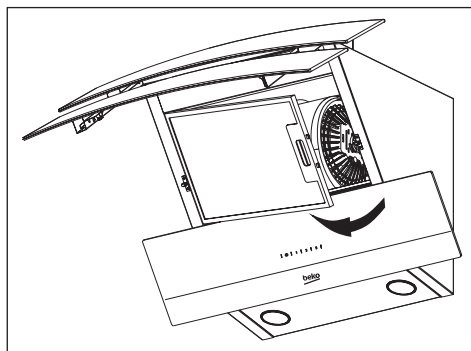
Enne puhastamist ja hooldamist eemaldage seadme toitepistik pesast või lülitage pealüliti välja või rakendage õhupuhasti toite kaitse.

### 5.1 Alumiiniumfilter

See filter püüab kinni õhus leiduvad õliosakesed. Tavakasutuse korral on soovitatav filtrit puhastada iga kuu. Selleks eemaldage esmalt alumiiniumfiltrid. Peske filtreid vedela pesuvahendiga ja loputage neid veega ning pärast kuivatamist paigaldage need tagasi. Alumiiniumfiltrid võivad pesemise käigus luituda, aga see on normaalne ja te ei pea sellepärast filtrit vahetama.

#### 5.1.1 Alumiiniumfiltrite eemaldamine

1. Lükake alumiiniumfiltri lukku ettepoole.
2. Seejärel laske see veidi allapoole ja tõmmake ettepoole. Muul juhul võib filter painduda. (joonis 10) Kui alumiiniumfilter on pestud ja kuivatatud, pange filter avasse tagasi. Selleks korrake eespool toodud juhiseid vastupidises järjekorras.



(joonis 10)



Alumiiniumfiltrid võib pesta nõudepesumasinas.

### Söefilter (kasutatakse suitsutoruta)

See filter eemaldab toiduvalmistamisega kaasnevaid lõhnu. Kui suitsutoru pole võimalik kasutada, puhastatakse köögis keerlevat õhku. Seadme söefilter võib aja jooksul ummistuda olenevalt kasutuse sagedusest, toiduvalmistamisstiilist ja alumiiniumfiltrite korrapärasest puhastamisest.



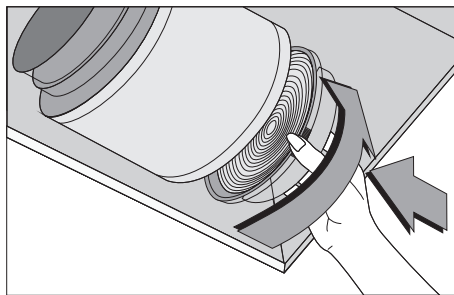
#### Ettevaatust!

Söefiltrit ei tohi kunagi pesta.

Söefiltreid saate osta Beko volitatud teenindusest.

#### 5.2.1 Söefiltri vahetamine

- Eemaldage alumiiniumfiltrid. (joonis 10)
- Söefiltri eemaldamiseks pöörake klambreid vastupäeva ja vabastage filter. (joonis 11)
- Paigaldage uus söefilter.
- Paigaldage alumiiniumfiltrid.



(joonis 11)

Lõhnu eemaldavad filtrid sisaldavad sütt (aktiivsüsi).

Neid tuleb vahetada ligikaudu iga 6 kuu järel.

Pole vahet, kas kasutate söefiltrit või mitte, alumiiniumfilter peab olema alati paigaldatud.

Ärge käitage seadet, kui alumiiniumfilter pole paigaldatud. Söefiltriga koos kasutamine vähendab seadme imemisvõimsust.

## 5 Puhastamine ja hooldus

### 5.3 Puhastamine

Ärge kindlasti unustage õhupuhasiti puhastada kohe pärast praadimist.

Õhupuhasiti välispinna puhastamiseks kasutage pehmet riidelappi, mida on niisutatud vedelpesu- vahendiga.

Ärge kunagi kasutage puhastamiseks abrasiivseid või kriimustusi tekitavad materjale.

Võite kasutada kaubandusvõrgus saadaolevaid puhastusvahendeid raskesti eemaldatava rasva jaoks, kuid järgige seejuures tootel esitatud hoiatusi. Harjatud terasest korpuse kriimustamise vältimiseks pühkige harjamisjälgedega samas suunas.

Toote pinnaomaduste säilitamiseks ärge kasutage puhastusvahendeid, mis sisaldavad vesinik- kloriidhapet, valgendit või abrasiivseid pulbreid. Roostevabast terasest pindade puhul kasutage riidelappi, mida on niisutatud seebivee või spetsiaalse roostevaba terase puhastusaerosooliga. Eemaldage seadmelt kaitsekile.



#### Ettevaatust!

Kui te ei järgi õhupuhasiti puhastamist ja filtrite väljavahetamist käsitlevaid juhiseid, võite põhjustada tulekahju.

Kui seadet on vaja transportida

- Hoidke seadme originaalpakend alles. Transportige seadet originaalpakendis ja järgige originaalpakendil esitatud transpordimärgistusi.

#### Kui teil pole originaalpakendit alles

- Ärge asetage õhupuhasstile esemeid.
- Kaitske välispinda löökide eest.
- Pakendage seade nii, et see ei saa transportimisel kahjustusi.

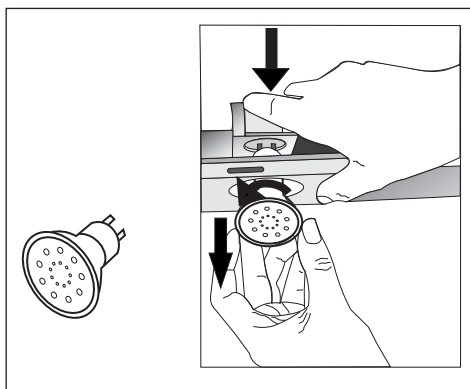
### 5.4 Lambi vahetamine

Eemaldage õhupuhasiti vooluvõrgust.

Seadmel on 3 W LED-lambid.

LED-lampide vahetamiseks vajutage lampi lam- bihoidiku tagaosast allapoole. Seejärel pöörake seda 1/4 võrra ning eemaldage lamp.

Uute lampide paigaldamiseks korrake eespool toodud juhiseid vastupidises järjekorras.



Lampe saate osta volitatud teenin- dusest.



# Pirmiausia perskaitykite šią naudojimo instrukciją!

Gerb. Pirkėjų,

Ačiū, kad pasirinkote „Beko“ gaminį. Tikimės, kad šiuo gaminiu, kuris buvo pagamintas naudojant aukščiausios kokybės moderniausią technologiją, liksite patenkinti. Prieš pradėdami naudoti šį prietaisą, perskaitykite visą šią naudojimo instrukciją bei prie jos pridedamus dokumentus ir juos pasilikite, jei prireiktų ateityje. Jeigu atiduotumėte šį gaminį kam nors kitam, kartu atiduokite ir šią naudojimo instrukciją. Vadovaukitės visais šiose naudojimo instrukcijose pateikiamais įspėjimais ir informacija.

Atsiminkite, kad ši naudojimo instrukcija taip pat gali būti taikytina keletui kitų modelių. Šioje instrukcijoje nurodyta, kuo skiriasi įvairūs modeliai.

## Simbolių paaiškinimas

Šioje naudojimo instrukcijoje naudojami šie simboliai:

 Svarbi informacija arba naudingi patarimai, kaip naudoti gaminį.

 Įspėjimai apie gyvybei ir (arba) turtui pavojų keliančias situacijas ir sąlygas.

 Įspėjimas dėl elektros smūgio.



Šis gaminys pagamintas naudojant naujausią technologiją aplinkai nekenksmingomis sąlygomis.

Tai atitinka EEJĄ direktyvą.



Sudėtyje nėra PCB.

Šiame skyriuje pateikiama saugos informacija, kuri padės išvengti susižeidimų ar materialinės žalos. Nesilaikant šių taisyklių, bet kokia garantija nustos galioti.

## 1.1 Bendrieji saugos reikalavimai

- Montavimo ir remonto darbus turi atlikti įgaliotasis priežiūros atstovas. Gamintojas neatsako už gedimus, kurie atsiranda dėl neįgaliotų asmenų veiksmų.
- Šis prietaisas nėra skirtas naudoti asmenims (įskaitant vaikus) su silpnėjusiais fiziniiais, jutimintais ar protiniais gebėjimais arba turinčiais per mažai patirties ir žinių. Visada prižiūrėkite vaikus, kad jie nežaistų su šiuo prietaisu.

### 1.1.1 Elektros sauga

- Atlikdami gaminio montavimo, priežiūros, valymo ir remonto darbus, visuomet atjunkite jį nuo elektros tinklo.

- Jei maitinimo kabelis pažeistas, siekiant išvengti galimo pavojaus jį turi pakeisti gamintojas, priežiūros po pardavimo padalinio darbuotojas ar panašios kvalifikacijos asmuo (geriausiai elektrikas) arba importuotojo nurodytas asmuo.
- Maitinimo įtampa yra nuo 220 iki 240 voltų.
- Sugedusio prietaiso negalima naudoti tol, kol jo nepataiso įgaliotasis priežiūros atstovas. Gali nutrenkti elektrą!
- Netieskite maitinimo kabelio šalia kaitlentės. Maitinimo kabelis lengvai lydosi, todėl gali kilti gaisras.
- Kol nebaigėte montuoti garų rinktuvo, nejunkite jo prie elektros tinklo.
- Kad prietaisas kuo geriau veiktų, išorinis ortakis turi būti ne ilgesnis nei 4 m. Jis negali turėti daugiau nei 2 statmenų (90°) alkūnių, o jo skersmuo turi būti ne mažesnis nei 120 mm.
- Prieš ką nors darydami su vidinėmis prietaiso dalimis, atjunkite prietaisą nuo elektros tinklo.

## 1.1.2 Gaminio sauga

- Prie garų rinktuvo movos galite prijungti 120 mm arba 150 mm skersmens vamzdį.
- Ortakio nejunkite prie krosnių dūmtraukių, oro ištraukiamųjų kanalų ar dūmtraukių, kuriuose gali atsirasti liepsna. Laikykitės atitinkamų institucijų nustatytų taisyklių dėl išmetamojo oro išleidimo.
- Atstumas tarp garų rinktuvo apatinio paviršiaus ir viryklės (krosnies) viršutinio paviršiaus turi būti ne mažesnis nei 65 cm.
- Nenaudokite garų rinktuvo be aliumininių filtrų ir, jam veikiant, nenuiminkite šių filtrų.
- Nelieskite ką tik ilgai veikusių garų rinktuvo lempučių. Karštos lempučių gali nudeginti rankas.
- Po gaminiu venkite didelės liepsnos. Kitaip gali užsiliepsnoti riebalų filtre susikaupusios medžiagos ir sukelti gaisrą.
- Kaitlentes įjunkite tik tada, kai ant jų yra keptuvės ar puodai. Kitaip dėl kylančios temperatūros gali deformuotis tam tikros gaminio dalys.
- Prieš nuimdami keptuves ar puodus, kaitlentes išjunkite.
- Po garų rinktuvu nenaudokite lengvai užsiliepsnojančių medžiagų.
- Kepant maisto produktus, aliejus gali užsiliepsnoti. Todėl saugokite drabužius ir užvolaidas.
- Kepdami maisto produktus, nepalikite viryklės be priežiūros, nes užviręs aliejus gali sukelti gaisrą.
- Jeigu garų rinktuvo nevalysite nurodytais laiko tarpais, gali kilti gaisras.
- Valydami garų rinktuvą, būkite ypač atsargūs ir užsimaukite pirštines.
- Kad padidėtų įsiurbimo galia, prietaisą patariame įjungti kelios minutės prieš pradėdant gaminti maistą. Tada, pradėjus kilti garams, jau turėsite tolygią ir stabilią įsiurbimo galią.
- Kad iš virtuvės būtų pašalintas kvapas ir maisto ruošimo garai, baigę virti ar kepti, garų rinktuvui leiskite padirbėti dar 15 minučių.
- Kai garų rinktuvas veikia, ypač jei naudojamos dujinės viryklės, į patalpą turi patekti šviežias oras.

# Svarbios saugos ir aplinkos apsaugos taisyklės

- Užtikrinkite, kad prietaisas nebūtų prijungtas prie ortakių, kuriuos naudoja ne elektriniai prietaisai (pvz.: šildytuvo dūmtraukio).
- Jei toje pačioje patalpoje, kurioje yra garų rinktuvas, naudojamas ir neelektrinis prietaisas, neigiamas slėgis patalpoje turi būti ne didesnis nei 0,4 mbar, kad garų rinktuvas nepradėtų siurbti į patalpą kito prietaiso išleidžiamo oro.
- Gamintojas neatsako už jokių nuostolių, kurie atsiranda dėl netinkamo prietaiso naudojimo ar netinkamų veiksmų su juo.
- Laikotarpis, kurio metu yra tiekiamos tinkamam prietaiso veikimui užtikrinti reikalingos atsarginės dalys, yra 10 metų.

## 1.1.3 Vaikų sauga

- Pakuotės medžiagos vaikams yra pavojingos. Pakuotės medžiagas laikykite saugioje vietoje, kur jų negalėtų pasiekti vaikai.
- Elektriniai prietaisai vaikams yra pavojingi. Neleiskite vaikų prie gaminio. Neleiskite vaikams žaisti su prietaisu.

## 1.2 Naudojimas pagal paskirtį

- Šis prietaisas skirtas buitiniam naudojimui. Jis nepritaikytas naudoti komerciniu tikslu ir jo negalima naudoti kitaip nei pagal paskirtį.

## 1.3 Atitiktis EEJA direktyvai ir atitarnavusio gaminio sutvarkymas



Šiame gaminyje nėra kenksmingų ir draudžiamų medžiagų, aprašytų Direktyvoje dėl tam tikrų pavojingų medžiagų naudojimo elektros ir elektroninės įrangos atliekose (EEJA), kurią išleido T.R. Aplinkosaugos ir miesto teritorijų planavimo ministerija.

Tai atitinka EEJĄ direktyvą.

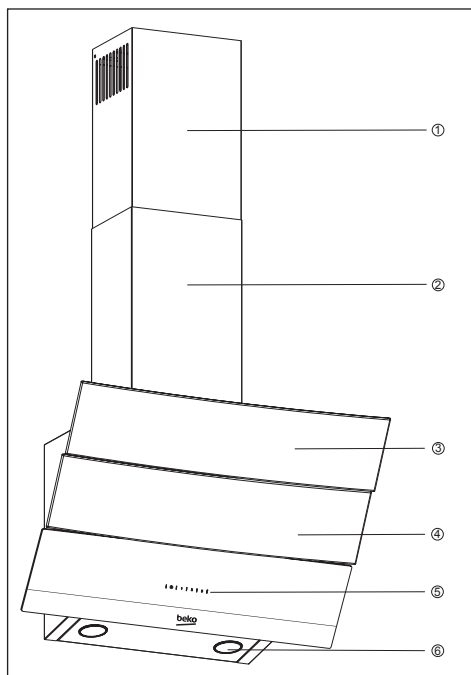
Šis gaminys pagamintas iš aukštos kokybės medžiagų ir dalių, kurias galima perdirbti ir pakartotinai panaudoti. Todėl pasibaigus gaminio tarnavimo laikui, neišmeskite jo kartu su įprastomis buitinėmis atliekomis. Atiduokite jį į surinkimo punktą, kad elektros ir elektronikos įranga būtų perdirbta. Artimiausio surinkimo punkto adresą sužinosite vietos savivaldybėje. Pakartotinis medžiagų panaudojimas padės tausoti gamtą ir gamtos išteklius.

## 1.4 Informacija apie pakuotę



Gaminio pakuotė pagaminta iš perdirbamos medžiagos, atsižvelgiant į šalies teisės aktus. Neišmeskite pakuotės kartu su buitinėmis ar kitokiomis atliekomis ir nuvežkite ją į vietos savivaldybės nurodytą pakuočių surinkimo punktą.

## 2 Techniniai prietaiso duomenys



1. Vidinis ortakis
2. Išorinis ortakis
3. Stiklinis dangtelis
4. Filtras (po stikliniu dangteliu)
5. Valdymo skydelis
6. Apšvietimas

(1 pav.)

	HCA 92640 BH	HCA 92640 WH	HCA 62640 W	HCA 62640 WH
Plotis	896 mm	896 mm	596 mm	596 mm
Gylis	393 mm	393 mm	386 mm	386 mm
Aukštis	750 mm / 1130 mm	750 mm / 1130 mm	750 mm / 1080 mm	750 mm / 1080 mm
Maitinimo įtampa	220-240 V, 50 Hz	220-240 V, 50 Hz	220-240 V, 50 Hz	220-240 V, 50 Hz
Valdymas	3 lygių	3 lygių	3 lygių	3 lygių
Lemputės galia	2 x 3 W	2 x 3 W	2 x 3 W	2 x 3 W
Oro išleidimo vamzdis	120 / 150 mm	120 / 150 mm	120 / 150 mm	120 / 150 mm
Pajėgumas	577 m <sup>3</sup> /h	577 m <sup>3</sup> /h	537 m <sup>3</sup> /h	537 m <sup>3</sup> /h
Variklio galia	1 x 210 W	1 x 210 W	1 x 210 W	1 x 210 W
Suminė galia	216 W	216 W	216 W	216 W
Grynasis svoris	13 kg	13 kg	10,4 kg	10,4 kg
Spalva	Juoda	Balta	Balta	Balta

Gaminio etiketėse arba kartu su gaminiu pateiktoje dokumentacijoje nurodytos reikšmės gautos laboratorijos sąlygomis, laikantis atitinkamų standartų. Šios reikšmės gali kisti, priklausomai nuo gaminio naudojimo ir aplinkos sąlygų.

## 2 Techniniai prietaiso duomenys

	HCA 62640 B	HCA 62640 BH	HCA 62540 B	HCA 92540 B
Plotis	596 mm	596 mm	596 mm	896 mm
Gylis	386 mm	386 mm	386 mm	393 mm
Aukštis	750 mm / 1080 mm	750 mm / 1080 mm	750 mm / 1080 mm	750 mm / 1130 mm
Maitinimo įtampa	220-240 V, 50 Hz	220-240 V, 50 Hz	220-240 V, 50 Hz	220-240 V, 50 Hz
Valdymas	3 lygių	3 lygių	3 lygių	3 lygių
Lemputės galia	2 x 3 W	2 x 3 W	2 x 3 W	2 x 3 W
Oro išleidimo vamzdis	120 / 150 mm	120 / 150 mm	120 / 150 mm	120 / 150 mm
Pajėgumas	537 m <sup>3</sup> /h	537 m <sup>3</sup> /h	566 m <sup>3</sup> /h	593 m <sup>3</sup> /h
Variklio galia	1 x 210 W	1 x 210 W	1 x 210 W	1 x 210 W
Suminė galia	216 W	216 W	216 W	216 W
Grynasis svoris	10,4 kg	10,4 kg	10,4 kg	13kg
Spalva	Juoda	Juoda	Juoda	Juoda

	HCA 62641 BH	HCA 62641 WH	HCA 92641 BH	HCA 92641 WH
Plotis	596 mm	596 mm	896 mm	896 mm
Gylis	386 mm	386 mm	393 mm	393 mm
Aukštis	750 mm / 1080 mm	750 mm / 1080 mm	750 mm / 1130 mm	750 mm / 1130 mm
Maitinimo įtampa	220-240 V, 50 Hz	220-240 V, 50 Hz	220-240 V, 50 Hz	220-240 V, 50 Hz
Valdymas	3 lygių	3 lygių	3 lygių	3 lygių
Lemputės galia	2 x 3 W	2 x 3 W	2 x 3 W	2 x 3 W
Oro išleidimo vamzdis	120 / 150 mm	120 / 150 mm	120 / 150 mm	120 / 150 mm
Pajėgumas	638 m <sup>3</sup> /h	638 m <sup>3</sup> /h	648 m <sup>3</sup> /h	648 m <sup>3</sup> /h
Variklio galia	1 x 210 W	1 x 210 W	1 x 210 W	1 x 210 W
Suminė galia	216 W	216 W	216 W	216 W
Grynasis svoris	10,4 kg	10,4 kg	13kg	13kg
Spalva	Juoda	Balta	Juoda	Balta

### 3 Prietaiso montavimas

Dėl garų rinktuvo montavimo kreipkitės į artimiausią **įgaliojimą priežiūros atstovą**.

\*Už prietaisui skirtos vietos ir elektros instaliacijos paruošimą atsako klientas.



#### Dėmesio!

Po montavimo nuo garų rinktuvo ir ortakio paviršiaus nuimkite apsauginę plėvelę (jeigu yra).

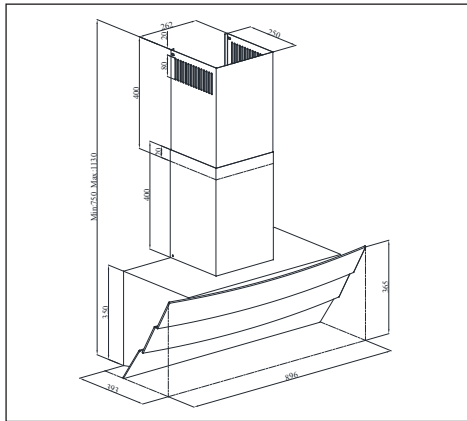
Atstumas tarp garų rinktuvo apatinio paviršiaus ir kaitlentės viršutinio paviršiaus turėtų būti ne mažesnis nei **65 cm**.

Elektrą turi prijungti kvalifikuotas elektrikas.

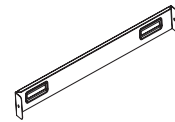
Prietaisą sumontuokite taip, kad po montavimo galėtumėte lengvai pasiekti elektros jungtį (kištuką, lizdą).

Matmenys nurodyti mm.

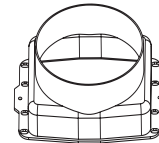
### 3.1 Montavimo priedai



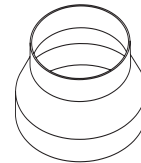
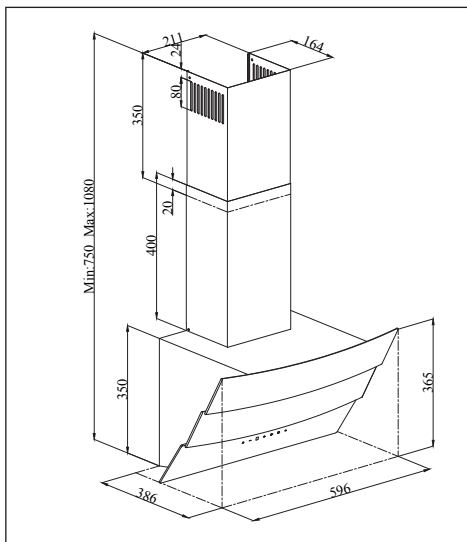
(3b pav.)



1 x ortakio jungties plokštė



1 x 150 mm skersmens  
plastikinis ortakis



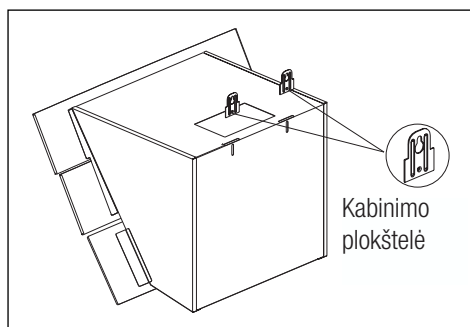
1 x 120 / 150 mm skersmens  
plastikinis ortakio  
adapteris

## 3 Prietaiso montavimas

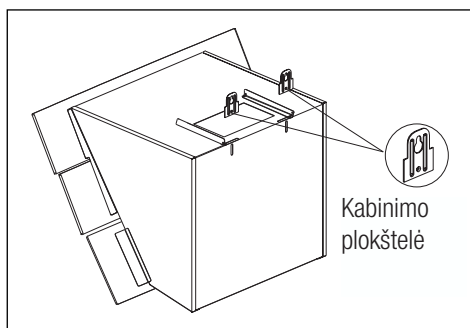
Toliau pateikta informacija, kurios reikia garų rinktuvo montavimo vietai paruošti.

### 3.2 Garų rinktuvo montavimas prie sienos

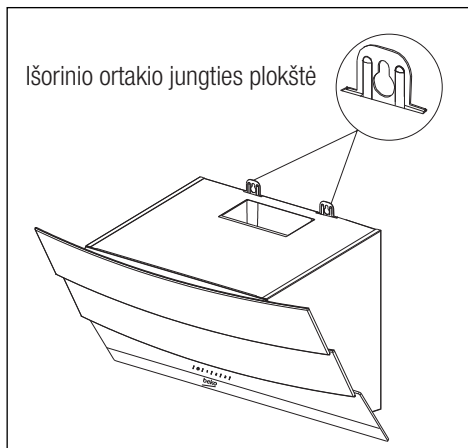
Norėdami sumontuoti garų rinktuvą prie sienos, atlaisvinkite kabinimo plokštelių varžtus, esančius ties variklio korpusu, ir patraukite plokšteles aukščiau. Tada priveržkite kabinimo plokštelių varžtus. **(3a pav.)**



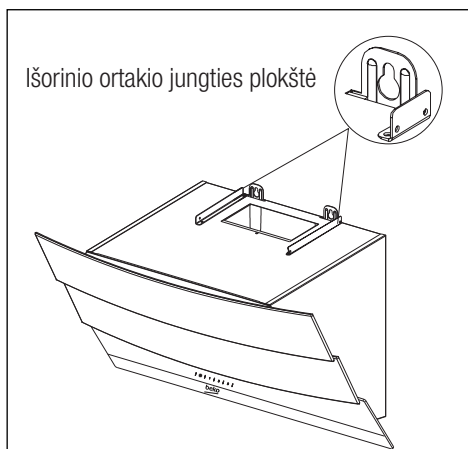
**(3a pav. - 60)**



**(3a pav. - 90)**



**(3b pav. - 60)**



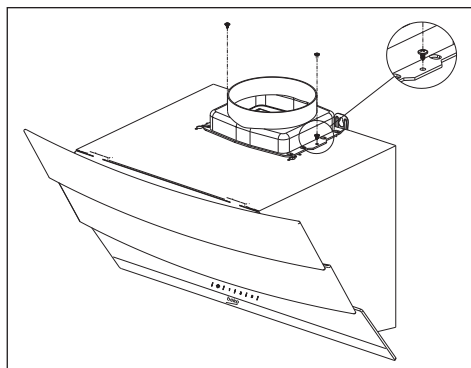
**(3b pav. - 90)**

Pritvirtinkite 150 mm skersmens plastikinį ortakio adapterį prie korpuso viršaus 3,5 x 9,5 varžtu, kurį rasite tarp montavimo priedų **(4 pav.)**.

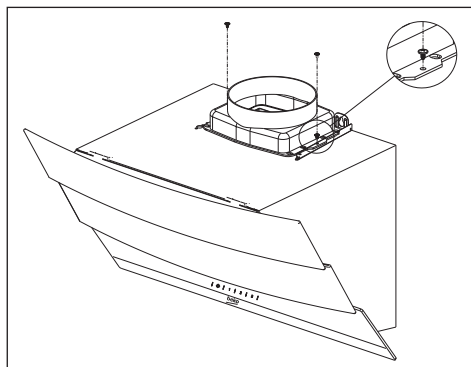
Jei naudosite 120 mm skersmens ortakio vamzdį, prie jo montuokite 120 mm skersmens ortakio adapterį.



### 3 Prietaiso montavimas



(4 pav. - 60)

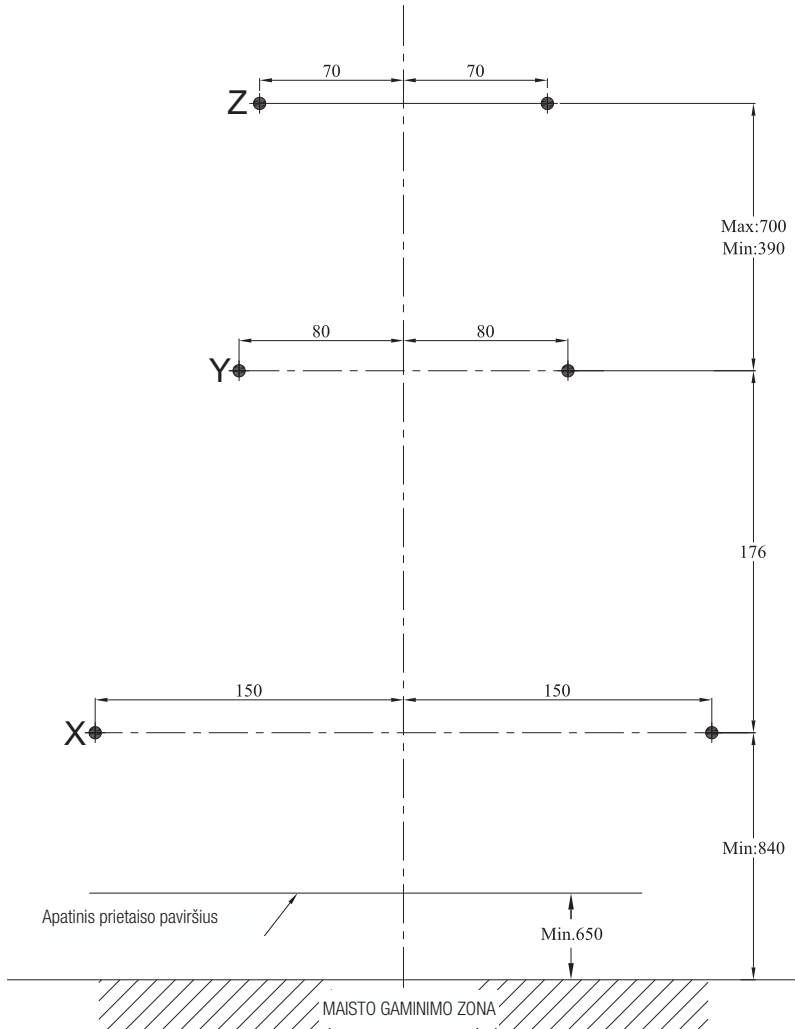
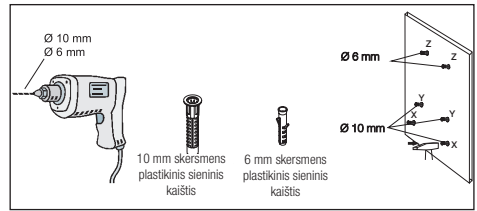


(4 pav. - 90)

# 3 Prietaiso montavimas

## 3.2.1 Angų kabinimui gręžimas

Pritvirtinkite montavimo šabloną toje vietoje, kur montuosite garų rinktuvą. Išgręžkite taškus, pažymėtus (X,Y) (5 pav.), 10 mm skersmens grąžtu, ir taškus, pažymėtus (Z) (5 pav.), 6 mm skersmens grąžtu.



(5 pav.)

## 3 Prietaiso montavimas

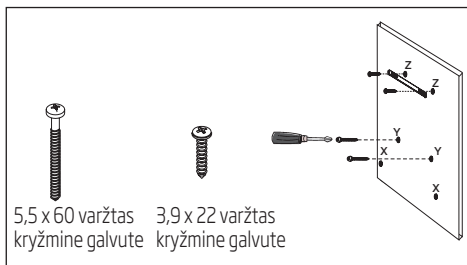
### 3.2.2 Sieninių kaiščių kalimas

Įkalkite 10 mm skersmens sieninius kaiščius (X,Y) į angas, kurias išgręžėte kabinimo varžtams. Įkalkite 2 x 6 mm skersmens sieninius kaiščius (Z) į angas, kurias išgręžėte 6 mm skersmens grąžtu išorinio ortakio jungties plokštei. (5 pav.)

### 3.2.3 Kabinimo varžtų įsukimas

Įsukite 5,5 x 60 kabinimo varžtus į 10 mm skersmens sieninius kaiščius (Y), kuriuos įkalėte į sieną. Tarp varžto galvutės ir sienos turi likti 5 mm tarpelis. (6 pav.)

Pritvirtinkite vidinio ortakio jungties plokštę prie sienoje įkalty 6 mm sieninių kaiščių (Z) naudodami 3,9 x 22 varžtus. (6 pav.)



(6 pav.)

### 3.2.4 Garų rinktuvo kabinimas ant sienos

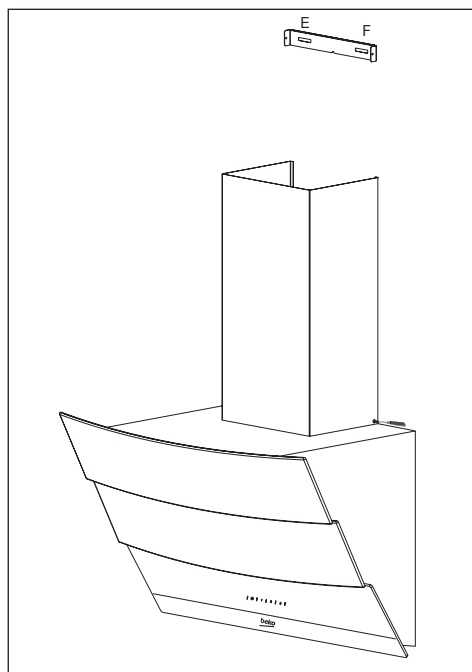
- Pakabinkite garų rinktuvą ant varžtų, kuriuos sumontavote Y angose.
- Atidarykite šoninį garų rinktuvo ištraukimo langelį patraukdami jį į save. Sumontuokite 5,5 x 60 varžtus pro viduje esančias X angas, kad pritvirtintumėte prietaisą.

## 3 Prietaiso montavimas

### 3.3 Garų rinktuvo ortakio montavimas

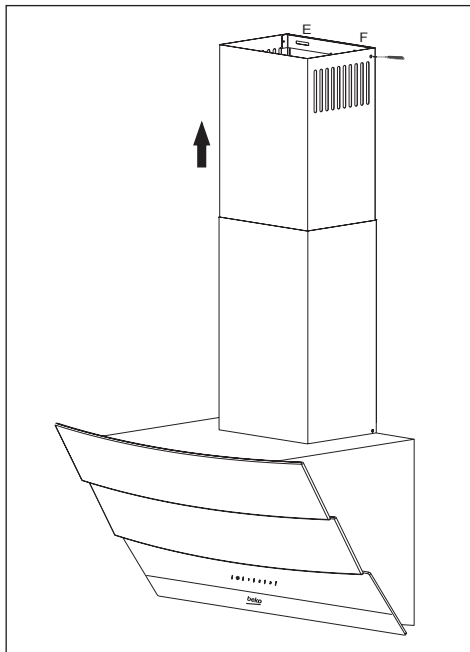
Prieš pradėdami montuoti ortakį, atjunkite gaminį nuo elektros tinklo. Sumontuokite skardines ortakio dalis aplink korpusą.

Prisukite išorinį ortakį prie išorinio ortakio jungties plokščių, esančių ant variklio korpuso. (3b / 7 pav.)



(7 pav.)

Iššęskite ir prisukite vidinį ortakį nuo jo išorinių kraštų prie ortakio jungties plokštės, kurią pritvirtinote prie sienos (8 pav.).



(8 pav.)

## 3 Prietaiso montavimas

### 3.4.1 Naudojimas su ortakio jungtimi

- Garai pašalinami per ortakio vamzdį, kuris tvirtinamas prie garų rinktuvo prijungimo antgalio.
- Ortakio vamzdžio ir prijungimo žiedo skersmuo turi būti vienodi. Kad oras galėtų būti lengvai pašalinamas iš patalpos horizontalaus išdėstymo vietoje, vamzdį reikėtų šiek tiek pakreipti aukšty (maždaug 10°).

### 3.4.2 Naudojimas be ortakio jungties

- Oras yra filtruojamas anglies filtru, tada gražinamas atgal į patalpą. Anglies filtras naudojamas tada, kai name nėra įrengto ortakio.
- Jei garų rinktuvas bus naudojamas be ortakio jungties, išimkite ortakio adapterio viduje esančius kreipiklius.
- Išimkite aliumininį filtrą. Norėdami sumontuoti anglies filtrą, išcentruokite jį ties plastikine dalimi abiejose ventiliatoriaus korpuso pusėse ir užfiksuokite ąselėse. Užfiksuokite filtrą pasukdami ąselės dešinėn arba kairėn.
- Įdėkite aliumininį filtrą.

## 3.5 Ortakio prijungimas

Įstatykite prie garų rinktuvo pridėtą adapterį į ventiliacijos angą, esančią garų rinktuvo viršutinėje dalyje. Įstatykite 120 / 150 mm skersmens vamzdį. Vieną vamzdžio galą pritvirtinkite prie adapterio, o kitą - prie ortakio.

Įsitikinkite, kad šios dvi jungtys pakankamai tvirtai užfiksuotos

ir garų rinktuvui veikiant maksimaliu greičiu neatsijungs. Patikrinkite, ar sutvirtinus veržikliu ortakio esančios sklendės gali funkcionuoti. Prie adapterio pritvirtinkite ortakio jungties vamzdį. Jei ortakio jungties vamzdį pritvirtinsite adapterio viduje, oras nebus siurbiamas, nes sklendės, kurios neleidžia orui grįžti atgal, liks uždarytos.

Nepatariama jungti prie ortakių, kurie yra prijungti prie krosnių ar oro ištraukiamųjų kanalų. Prie tokių ortakių nejunkite.

Vamzdžio jungtis turi būti kuo trumpesnė, o alkūnių skaičius - minimalus.

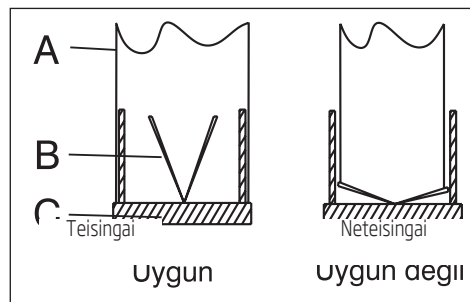
A: Ortakio išleidimo vamzdis

B: Sklendės, neleidžiančios orui grįžti atgal

C: Plastikinis ortakis

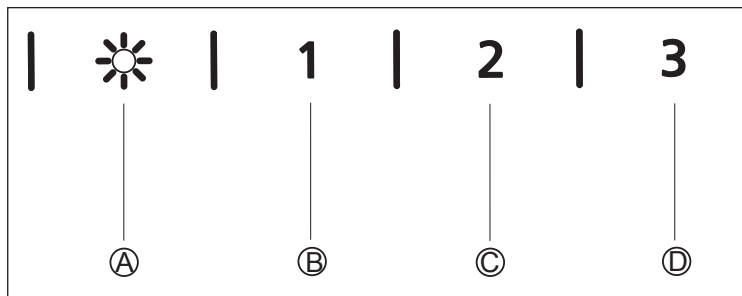
3.5.1 Apsaugos nuo grįžtamojo srauto sistema (N-RV)

Kai garų rinktuvas veikia, sklendės yra uždarytos, kad į aplinką negalėtų patekti kvapai ir dulkės iš išorės.



(9 pav.)

## 4 Prietaiso naudojimas



(9 pav.)

**(A):** Šviesos įjungimo / išjungimo mygtukas

**(B):** 1 lygio mygtukas

**(C):** 2 lygio mygtukas

**(D):** 3 lygio mygtukas

### 4.1 3 lygių skaitmeninis elektroninis valdymas

**(A) Šviesos įjungimo / išjungimo mygtukas:**

Paspaudę šį mygtuką, galite apšviesti maisto ruošimo zoną.

**(B) mygtukas:** Paspaudę šį mygtuką, galite paleisti garų rinktuvą 1 greičio lygiu.

Kai, norėdami išjungti prietaisą, paspaudžiate šį mygtuką dar kartą, greičio lygio indikacija ekrane neberodoma.

**(C) mygtukas:** Paspaudę šį mygtuką, galite paleisti garų rinktuvą 2 greičio lygiu.

Kai, norėdami išjungti prietaisą, paspaudžiate šį mygtuką dar kartą, greičio lygio indikacija ekrane neberodoma.

**(D) mygtukas:** Paspaudę šį mygtuką, galite paleisti garų rinktuvą 3 greičio lygiu.

Kai, norėdami išjungti prietaisą, paspaudžiate šį mygtuką dar kartą, greičio lygio indikacija ekrane neberodoma.

### Automatinis sustabdymas po 15 min.:

Šiame prietaise įrengta automatinio sustabdymo funkcija, leidžianti prietaisui vėdinti patalpą papildomą laiką, siekiant pašalinti nemalonius kvapus ir garus iš patalpos, baigus ruošti maistą. Po tam tikro laiko prietaisas automatiškai išsijungia.

Norėdami įjungti automatinio sustabdymo funkciją, ilgiau nei 2 sekundes palaikykite nuspaudę bet kurį valdymo skydelyje esantį greičio lygio mygtuką (B, C, D). Bus suaktyvintas 15 minučių laikmatis.

Jei paspausite tą patį greičio lygio mygtuką, kai automatinio sustabdymo funkcija yra įjungta, funkcija bus išjungta ir prietaisas išsijungs.

Jei pasirinksite kitą greičio lygį, ši funkcija bus išjungta.

Jei norite, kad prietaisas išsijungtų automatiškai, turite iš naujo įjungti automatinio sustabdymo funkciją.

### Periodinis metalinių filtrų valymas:

Filtrus reikia valyti maždaug kas 60 naudojimo valandų arba kas 4 savaites, atsižvelgiant į naudojimo dažnumą.

## 4 Prietaiso naudojimas

### 4.2 Taupus energijos naudojimas

- Kad išvengtumėte bereikalingų energijos sąnaudų, naudodamiesi garų rinktuvu, pasirinkite kvapų intensyvumą ir garų kiekį atitinkantį greitį.
- Esant normalioms sąlygoms, naudokite mažus greičius (1-2), o kai kvapai intensyvesni ir garų kiekis didesnis – didelį greitį (3).
- Garų rinktuvo lemputės yra skirtos maisto ruošimo zonai apšviesti.

Jas naudojant aplinkai (virtuvei) apšviesti, bus be reikalo naudojama elektros energija ir gaunamas netinkamas apšvietimas.

### 4.3 Garų rinktuvo naudojimas

- Garų rinktuve sumontuotas variklis, turintis įvairius greičio nustatymus.
- Kad prietaisas veiktų efektyviau, įprastomis sąlygomis patariame naudoti mažus greičius, o kai kvapai intensyvesni ir garų kiekis didesnis – didesnius.
- Garų rinktuvą galite įjungti paspausdami norimo greičio lygio mygtuką (B, C, D).
- Paspaudę apšvietimo mygtuką, galite apšviesti maisto ruošimo zoną. (A)

## 5 Valymas ir aptarnavimas

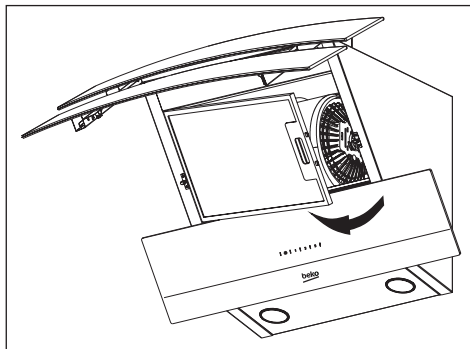
Prieš atlikdami valymo ir priežiūros darbus, atjunkite prietaisą nuo elektros tinklo, išjunkite elektros tinklo jungiklį arba atlaisvinkite saugiklį, per kurį maitinamas garų rinktuvas.

### 5.1 Aliumininis filtras

Šis filtras sulauko ore esančias riebalų daleles. Įprasto naudojimo sąlygomis rekomenduojama valyti filtrą kiekvieną mėnesį. Norėdami tai padaryti, pirmiausia išimkite aliumininis filtrus. Išplaukite filtrus skystu valikliu, išskalaukite vandeniu ir, jiems išdžiuvus, vėl sumontuokite. Plaunami aliumininiai filtrai gali pakeisti spalvą; tai normalu ir dėl to filtro keisti nereikia.

#### 5.1.1 Aliumininių filtrų išėmimas

1. Pastumkite aliumininio filtro fiksatorių į priekį.
2. Tada šiek tiek nuleiskite ir patraukite į priekį. Priešingu atveju filtrą galite sulankstyti. (10 pav.) Išvalę ir išdžiovinę aliumininį filtrą, įstatykite jį atgal į jo lizdą atlikdami anksčiau aprašytus veiksmus atvirkštine tvarka.



(10 pav.)



Aliumininius filtrus taip pat galite plauti indaplovėje.

### Anglies filtras (naudojamas be ortakio)

Šis filtras pašalina ruošiant maistą atsirandančius kvapus. Jei ortakio naudoti neįmanoma, šis filtras išvalo virtuvėje cirkuliuojantį orą. Bėgant laikui jūsų prietaiso anglies filtras užsikimš priklausomai nuo naudojimo dažnumo, maisto ruošimo būdo ir reguliaraus aliumininų filtrų valymo.



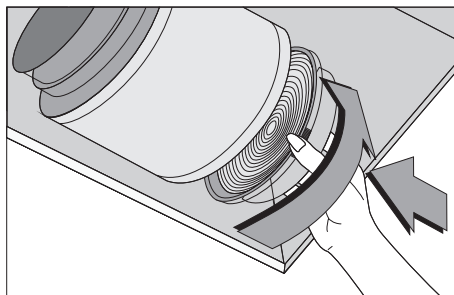
#### Dėmesio!

Anglies filtro plauti negalima.

Anglies filtrų galite įsigyti iš „Beko“ įgaliotųjų priežiūros atstovų.

### 5.2.1 Anglies filtro keitimas

- Išimkite aliumininis filtrus. (10 pav.)
- Norėdami išimti anglies filtrą, pasukite ąsels prieš laikrodžio rodyklę ir filtrą atlaisvinkite. (11 pav.)
- Įdėkite naują anglies filtrą.
- Įdėkite aliumininis filtrus.



(11 pav.)

Kvapus neutralizuojančiuose filtruose yra medžio anglies (aktyviosios anglies).

Juos reikia keisti maždaug kas 6 mėnesius.

Neatsižvelgiant į tai, ar naudojamas anglies filtras, aliumininiai filtrai turi būti visada sumontuoti.

Nenaudokite prietaiso, jei aliumininiai filtrai išimti. Naudojant prietaisą su anglies filtru, sumažėja jo oro siurbimo našumas.



## 5 Valymas ir aptarnavimas

### 5.3 Valymas

Labai svarbu garų rinktuvą nuvalyti tuojau pat po maisto kepimo.

Išorinį garų rinktuvo paviršių nuvalykite skystoje plovimo priemonėje pamirkyta minkšta šluoste.

Niekuomet nevalykite šveičiančiomis ar braižančiomis priemonėmis.

Sunkiai nusivalančius riebalus galite pašalinti prekyboje esančiomis valymo priemonėmis, atsižvelgdami į ant jų pateiktus įspėjimus. Kad nesu-braižytumėte sušveisto plieninio korpuso, jį šluos-tykite šveitimo pėdsakų kryptimi.

Norėdami išsaugoti gaminio paviršiaus kokybę, nenaudokite valymo priemonių su druskos rūgš-timi, balikliais ar šveitimo milteliais. Nerūdijančiojo plieno paviršius valykite muiluo-tame vandenyje sudrėkinta šluoste ar specialia purškiamąja prie-mone nerūdijančiajam plienui valyti. Nuo prietaiso nuimkite apsauginę plėvelę.



#### Dėmesio!

Jeigu nesilaikysite nurodymų dėl garų rinktuvo filtrų valymo ir keiti-mo, gali kilti gaisras.

Jeigu prireikia pervežti prietaisą:

- Išsaugokite originalią prietaiso pakuotę. Prie-taisą transportuokite jo originalioje pakuotėje ir laikykite ant originalios pakuotės esančių transportavimo ženklų.

**Jeigu neturite originalios pakuotės:**

- Nedėkite jokių daiktų ant garų rinktuvo.
- Išorinį paviršių saugokite nuo smūgių.
- Prietaisą supakuokite taip, kad transportavimo metu jo nepažeistumėte.

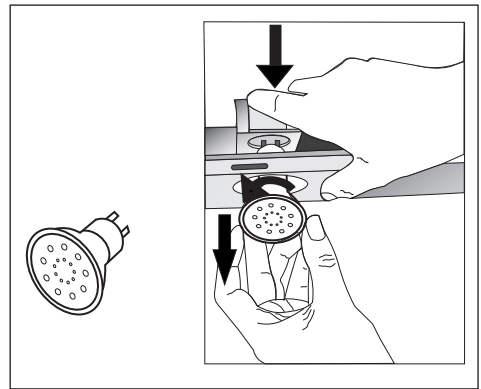
### 5.4 Lempučių keitimas

Atjunkite garų rinktuvą nuo elektros tinklo.

Šiame prietaise sumontuotos 3 W LED lemputės.

Norėdami pakeisti LED lemputes, paspauskite lemputę žemyn iš galinės lemputės laikiklio da-lies, kad atlaisvintumėte lemputę. Tada pasukite ją prieš laikrodžio rodyklę ketvirtadalį ap-sukimo ir išimkite.

Sumontuokite naujas lemputes atlikdami anks-čiau nurodytus veiksmus atvirkštine tvarka.



Lempučių galite įsigyti iš įgaliotojo priežiūros atstovo.

# Lūdzu, vispirms izlasiet šo lietotāja rokasgrāmatu.

Cien klient!

Paldies, ka izvēlējāties Beko izstrādājumu. Mēs ceram, ka šis kvalitatīvais izstrādājums, kurā izmantotas jaunākās tehnoloģijas, jums sniegs vislabākos rezultātus. Tāpēc, pirms sākat lietot izstrādājumu, lūdzu, rūpīgi izlasiet visu šo lietotāja rokasgrāmatu un visu pārējo dokumentāciju un saglabājiet to lietošanai turpmāk. Ja jūs nododat izstrādājumu citai personai, kopā ar to nododiet arī šo lietotāja rokasgrāmatu. Ievērojiet visus šajā lietotāja rokasgrāmatā sniegtos brīdinājumus un norādījumus.

Atcerieties, ka šī lietotāja rokasgrāmata attiecas arī uz vairākiem citiem modeļiem. Lietotāja rokasgrāmatā ir norādītas atšķirības starp modeļiem.

## Simbolu skaidrojums

Šajā lietotāja rokasgrāmatā ir izmantoti tālāk redzamie simboli.



Svarīga informācija vai noderīgi padomi par lietošanu.



Brīdinājums par bīstamām situācijām, kas var radīt traumas vai materiālus zaudējumus.



Brīdinājums par elektrošoku.



Šis izstrādājums ir ražots, izmantojot modernākās tehnoloģijas videi draudzīgos apstākļos.

# 1 Svarīgi norādījumi par drošību un vidi

Šajā nodaļā ir sniegti drošības norādījumi, kas palīdzēs novērst traumu gūšanas un materiālu zaudējumu riskus. Ja netiek ievēroti šie norādījumi, visas garantijas tiek atceltas.

## 1.1. Vispārēja drošība

- Uzstādīšanu un remontdarbus drīkst veikt pilnvarota apkalpošanas dienesta speciālists. Ražotājs neuzņemas atbildību par bojājumiem, kas radušies, ja šīs darbības veikušas nepilnvarotas personas.
- Šo ierīci nav paredzēts lietot personām (tostarp bērniem) ar ierobežotām fiziskām, uztveres vai garīgajām spējām, kā arī personām bez atbilstošas pieredzes un zināšanām. Bērni ir jāpieskata, lai viņi nerotaļātos ar ierīci.

### 1.1.1. Elektrodrošība

- Veicot uzstādīšanas, apkopes, tīrīšanas un remonta darbus, atvienojiet izstrādājumu no strāvas avota.

- Ja strāvas kabelis ir bojāts, tas ir jānomaina ražotājam, pēc pārdošanas apkalpošanas dienesta pārstāvim, personai ar līdzvērtīgu kvalifikāciju (vēlams, elektriķim) vai citai importētāja norādītai personai, lai novērstu iespējamus riskus.
- Darba spriegums ir no 220 līdz 240 voltiem.
- Ja ierīce ir bojāta, to nedrīkst lietot, kamēr pilnvarota apkalpošanas dienesta speciālists nav veicis tās remontu. Pastāv risks gūt elektriskās strāvas triecienu!
- Strāvas kabelis nedrīkst atrasties plīts virsmas tuvumā. Pretējā gadījumā strāvas kabelis var aizdegties, jo tas ir viegli kūstošs.
- Nepievienojiet tvaika nosūcēju strāvas avotam, kamēr uzstādīšana nav pabeigta.
- Lai nodrošinātu vislabāko darbību, ārējā pagarinātāja garums nedrīkst pārsniegt 4 m. Tas nedrīkst būt izliekts vairāk nekā 2 perpendikulāros (90°) leņķos, un tā diametram jābūt vismaz 120 mm.
- Pirms jebkādu darbību veikšanas ar ierīces iekšējām daļām, atvienojiet to no strāvas avota.

# 1 Svarīgi norādījumi par drošību un vidi

## 1.1.2. Izstrādājuma drošība

- Tvaika nosūcēja gaisa izplūdes savienotājam var pievienot cauruli, kuras diametrs ir 120 mm vai 150 mm.
- Nesavienojiet ar izplūdes caurulēm, kuras ir savienotas ar plītim, dūmeņiem vai skursteņiem, kuros var pacelties liesmas. Ievērojiet vietējos noteikumus par izplūdes gaisa izvadīšanu.
- Attālumam starp tvaika nosūcēja apakšējo virsu un plīts/krāsns augšējo virsmu jābūt vismaz 65 cm.
- Nelietojiet tvaika nosūcēju bez alumīnija filtriem un nenoņemiet filtrus tvaika nosūcēja darbības laikā.
- Nepieskarieties tvaika nosūdzēja spuldzēm, ja tās ir ilgstoši bijušas ieslēgtas. Karstās spuldzes var izraisīt apdegumus.
- Nepieļaujiet lielu liesmu veidošanos zem izstrādājuma. Pretējā gadījumā eļļas filtrā esošās daļiņas var aizdegties un izraisīt ugunsgrēku.
- Vīspirms uzlieciet uz plīts virsmas katlus vai pannas un tikai pēc tam ieslēdziet plīti. Pretējā gadījumā paaugstinātas temperatūras ietekmē dažas izstrādājuma detaļas var deformēties.
- Pirms pannu vai katlu noņemšanas no plīts virsmas, izslēdziet plīti.
- Nepieļaujiet viegli uzliesmojošu materiālu atrašanos zem tvaika nosūcēja.
- Cepot ēdienu, eļļa var aizdegties. Tāpēc uzmaniet tekstilizstrādājumus un aizkarus.
- Cepot ēdienu, neatstājiet plīti bez uzraudzības; pretējā gadījumā verdošā eļļa var izraisīt ugunsgrēku.
- Ja tvaika nosūcējs netiek iztīrīts tik bieži, kā norādīts, pastāv aizdegšanās risks.
- Tīrot tvaika nosūcēju, esiet īpaši piesardzīgs un lietojiet cimdus.
- Pirms ēdiena gatavošanas ieteicams ierīci dažas minūtes darbināt, lai palielinātos sūkšanas jauda. Tādējādi, kad veidosies tvaiks, ierīce nodrošinās nepārtrauktu un stabilu sūkšanas jaudu.

# 1 Svarīgi norādījumi par drošību un vidi

- Kad ēdiena gatavošana vai cepšana ir pabeigta, darbiniet ierīci vēl 15 minūtes, lai atbrīvotu virtuvi no tvaika ar ēdiena aromātu.
- Lietojot tvaika nosūcēju, it īpaši kopā ar gāzes plīti, ir jānodrošina ventilācija ar svaiga gaisa pieplūdi.
- Pievērsiet uzmanību, lai ierīce netiktu savienota ar gaisa izplūdes caurulēm, kuras tiek izmantotas iekārtām, kas nav elektroierīces. (Piemērs: sildītāja dūmvads.)
- Ja vienlaikus ar tvaika nosūcēju tajā pašā telpā tiek izmantota iekārta, kas nav elektroierīce, negatīvais spiediens telpā nedrīkst pārsniegt 0,4 mbar; pretējā gadījumā tvaika nosūcējs var telpā iesūkt otras iekārtas izplūdes gāzes.

## 1.1.3. Bērnu drošība

- Iepakojuma materiāli ir bīstami bērniem. Glabājiet iepakojuma materiālus drošā un bērniem nepieejamā vietā.
- Elektroierīces ir bīstamas bērniem. Turiet bērnus drošā attālumā no izstrādājuma. Neļaujiet bērniem rotaļāties ar ierīci.

## 1.2. Paredzētā lietošana

- Šī ierīce ir paredzēta lietošanai mājsaimniecībā. Tā nav piemērota komerciālai lietošanai, un to nedrīkst lietot citādi, kā vien paredzētajā veidā.
- Ražotājs neuzņemas atbildību par bojājumiem, kas radušies nepareizas lietošanas vai rīcības dēļ.
- Periods, kurā ir jābūt pieejamām rezerves daļām pareizai ierīces darbībai, ir 10 gadi.

### 1.3. Atbilstība EEIA direktīvai un atbrīvošanās no nolietota izstrādājuma



Šis izstrādājums nesatur kaitīgus un aizliegtus materiālus, kas aprakstīti Turcijas Vides un urbanizācijas ministrijas izdotajā direktīvā par noteiktu bīstamu vielu izmantošanas ierobežošanu elektrisko un elektronisko iekārtu atkritumos (EEIA). Atbilst EEIA direktīvai.

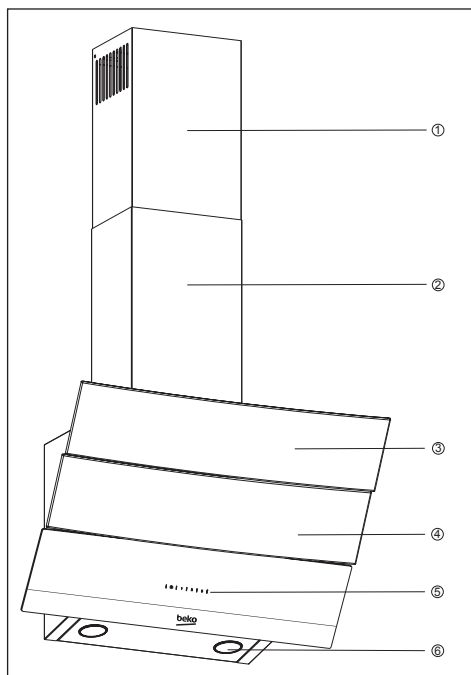
Šis izstrādājums ir ražots no augstas kvalitātes detaļām un materiāliem, kurus var izmantot atkārtoti un kuri ir piemēroti pārstrādei. Pēc izstrādājuma kalpošanas laika beigām neizmetiet to kopā ar parastiem sadzīves atkritumiem. Nogādājiet to savākšanas vietā, kurā tiek pieņemtas elektriskās un elektroniskās iekārtas otrreizējai izejvielu pārstrādei. Lai noskaidrotu, kur atrodas tuvākā savākšanas vieta, lūdzu, sazinieties ar vietējām iestādēm. Palīdziet aizsargāt apkārtējo vidi un dabas resursus, atkārtoti pārstrādājot lietotus izstrādājumus.

### 1.4. Informācija par iepakojumu



Atbilstoši valsts likumiem izstrādājuma iepakojums ir izgatavots no materiāla, ko var pārstrādāt. Neizmetiet iepakojuma materiālu atkritumus kopā ar sadzīves atkritumiem vai citiem atkritumiem un nogādājiet tos vietējo iestāžu norādītās iepakojuma materiālu savākšanas vietās.

## 2 Lerīces tehniskā specifikācija



1. Gaisa izplūdes caurules iekšējā daļa
2. Gaisa izplūdes caurules ārējā daļa
3. Stikla pārsegs
4. Filtrs (zem stikla pārsega)
5. Vadības panelis
6. Apgaismojums

(1. attēls)

	HCA 92640 WH	HCA 62640 W	HCA 62540 B	HCA 92540 B
Platums	896 mm	596 mm	596 mm	896 mm
Dzīlums	393 mm	386 mm	386 mm	393 mm
Augstums	750 mm/1130 mm	750 mm/1080 mm	750 mm/1080 mm	750 mm/1130 mm
Strāvas spriegums	220-240 V, 50 Hz	220-240 V, 50 Hz	220-240 V, 50 Hz	220-240 V, 50 Hz
Vadība	Ar 3 līmeņiem	Ar 3 līmeņiem	Ar 3 līmeņiem	Ar 3 līmeņiem
Spuldžu jauda	2x3 W	2x3 W	2x3 W	2x3 W
Gaisa izplūdes caurule	120/150 mm	120/150 mm	120/150 mm	120/150 mm
Jauda	577 m <sup>3</sup> /h	537 m <sup>3</sup> /h	566 m <sup>3</sup> /h	593 m <sup>3</sup> /h
Motora jauda	1x210 W	1x210 W	1x210 W	1x210 W
Kopējā jauda	216 W	216 W	216 W	216 W
Svars	13 kg	10,4 kg	10,4 kg	13 kg
Krāsa	Balta	Balta	Balta	Balta

Izstrādājumu marķējumā un pievienotajā dokumentācijā norādītās vērtības ir iegūtas laboratorijas apstākļos atbilstoši spēkā esošajiem standartiem. Faktiskās vērtības var atšķirties atkarībā no izstrādājuma darbības un vides apstākļiem.

## 2 Lerīces tehniskā specifikācija

	HCA 62640 WH	HCA 62640 B	HCA 62640 BH	HCA 92640 BH
Platums	596 mm	596 mm	596 mm	896 mm
Dziļums	386 mm	386 mm	386 mm	393 mm
Augstums	750 mm/1080 mm	750 mm/1080 mm	750 mm/1080 mm	750 mm/1130 mm
Strāvas spriegums	220-240 V, 50 Hz	220-240 V, 50 Hz	220-240 V, 50 Hz	220-240 V, 50 Hz
Vadība	Ar 3 līmeņiem	Ar 3 līmeņiem	Ar 3 līmeņiem	Ar 3 līmeņiem
Spuldžu jauda	2x3 W	2x3 W	2x3 W	2x3 W
Gaisa izplūdes caurule	120/150 mm	120/150 mm	120/150 mm	120/150 mm
Jauda	537 m <sup>3</sup> /h	537 m <sup>3</sup> /h	537 m <sup>3</sup> /h	577 m <sup>3</sup> /h
Motora jauda	1x210 W	1x210 W	1x210 W	1x210 W
Kopējā jauda	216 W	216 W	216 W	216 W
Svars	10,4 kg	10,4 kg	10,4 kg	13 kg
Krāsa	Balta	Melna	Melna	Melna

	HCA 62641 BH	HCA 62641 WH	HCA 92641 BH	HCA 92641 WH
Platums	596 mm	596 mm	896 mm	896 mm
Dziļums	386 mm	386 mm	393 mm	393 mm
Augstums	750 mm/1080 mm	750 mm/1080 mm	750 mm/1130 mm	750 mm/1130 mm
Strāvas spriegums	220-240 V, 50 Hz	220-240 V, 50 Hz	220-240 V, 50 Hz	220-240 V, 50 Hz
Vadība	Ar 3 līmeņiem	Ar 3 līmeņiem	Ar 3 līmeņiem	Ar 3 līmeņiem
Spuldžu jauda	2x3 W	2x3 W	2x3 W	2x3 W
Gaisa izplūdes caurule	120/150 mm	120/150 mm	120/150 mm	120/150 mm
Jauda	638 m <sup>3</sup> /h	638 m <sup>3</sup> /h	648 m <sup>3</sup> /h	648 m <sup>3</sup> /h
Motora jauda	1x210 W	1x210 W	1x210 W	1x210 W
Kopējā jauda	216 W	216 W	216 W	216 W
Svars	10,4 kg	10,4 kg	13 kg	13 kg
Krāsa	Balta	Balta	Melna	Balta



## 3 Lerīces uzstādīšana

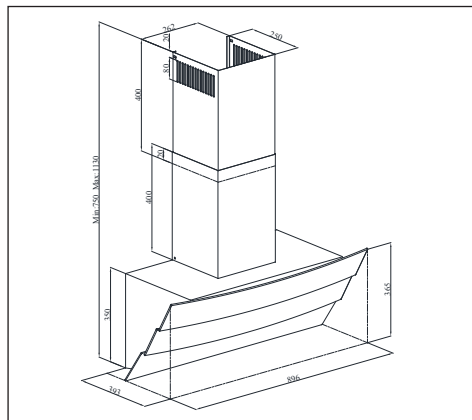
Par tvaika nosūcēja uzstādīšanu konsultējieties ar tuvākā **pilnvarotā apkalpošanas dienesta speciālistiem**.

\* Par vietas un elektroinstalācijas sagatavošanu izstrādājuma uzstādīšanai ir atbildīgs klients.

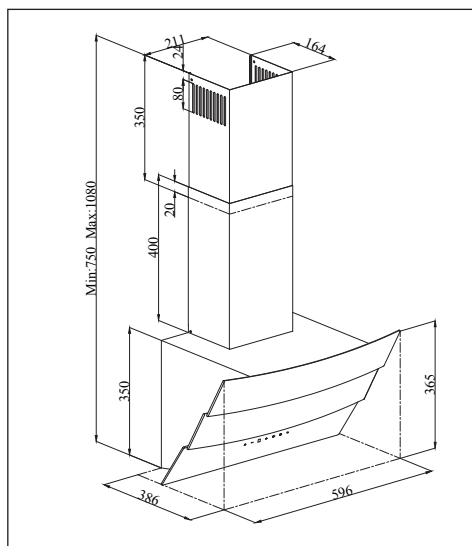


### Uzmanību!

Pēc uzstādīšanas noņemiet aizsargplēvi (ja tāda ir) no tvaika nosūcēja un gaisa izplūdes cauruļu virsmas.



(3.battēls)



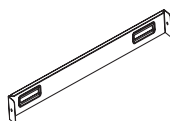
Attālumam starp tvaika nosūcēja apakšējo virsmu un plīts augšējo virsmu jābūt vismaz **65 cm**.

Lūdziet kvalificētam elektriķim veikt savienošanu ar elektrotīklu.

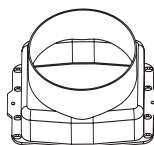
Uzstādiet ierīci tā, lai pēc uzstādīšanas varētu viegli piekļūt savienojumam ar elektrotīklu (spraudkontaktam, rozetei).

Izmēri ir norādīti milimetros.

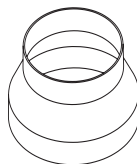
### 3.1. Uzstādīšanas piederumi



Gaisa izplūdes cauruļu savienojuma plāksne, 1 gab.



Plastmasas gaisa izplūdes caurule, diametrs 150 mm, 1 gab.



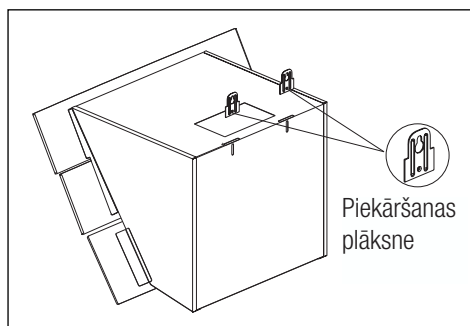
Plastmasas gaisa izplūdes cauruļu adapters, diametrs 120/150 mm, 1 gab.

## 3 Lerīces uzstādīšana

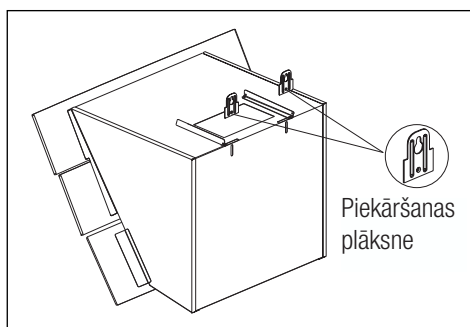
Tālāk ir sniegta nepieciešamā informācija par tvaika nosūcēja uzstādīšanas vietas sagatavošanu.

### 3.2. Tvaika nosūcēja uzstādīšana pie sienas

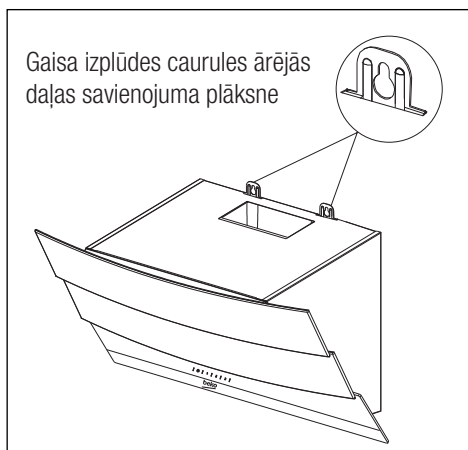
Lai uzstādītu tvaika nosūcēju pie sienas, atskrūvējiet uz motora korpusa esošo piekāršanas plāksni skrūves un pavelciet plāksnes uz augšu. Pēc tam pievelciet piekāršanas plāksni skrūves. **(3.a attēls.)**



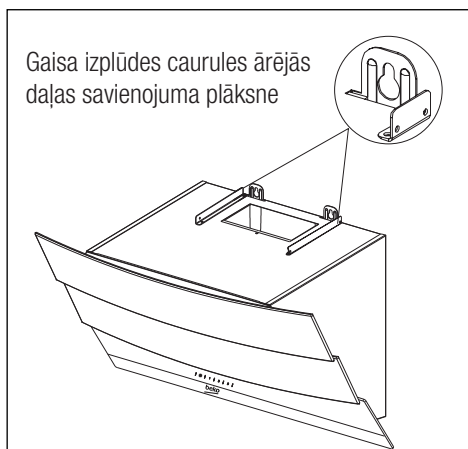
(3.a attēls - 60)



(3.a attēls - 90)



(3.b attēls - 60)

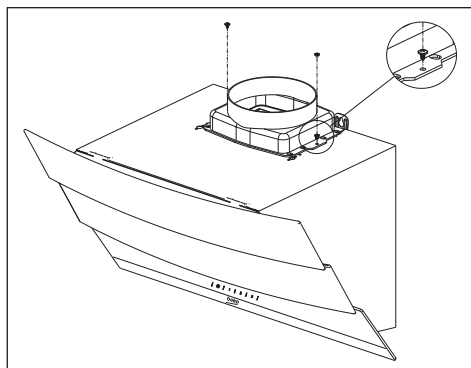


(3.b attēls - 90)

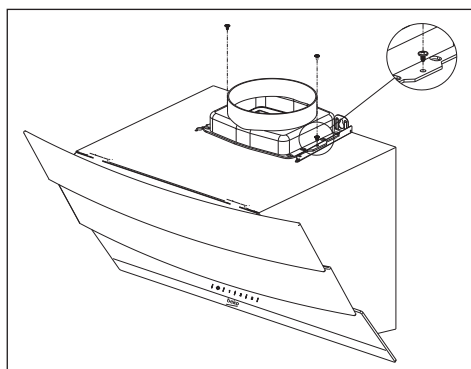
Nostipriniet plastmasas gaisa izplūdes cauruli ar diametru 150 mm pie korpusa augšdaļas ar uzstādīšanas piederumu komplektā esošo 3,5x9,5 skrūvi **(4. attēls)**.

Ja izmantosit gaisa izplūdes cauruli ar diametru 120 mm, uz tās uzstādiet 120 mm gaisa izplūdes caurules adapteru.

### 3 Lerīces uzstādīšana



(4. attēls - 60)

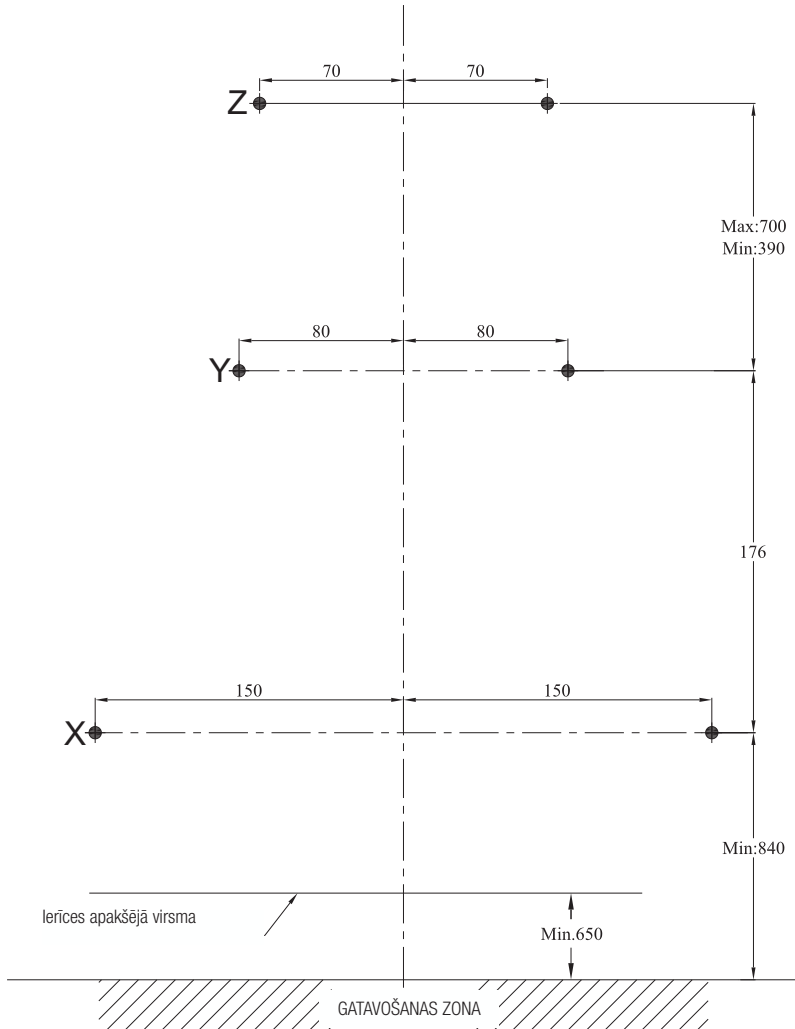
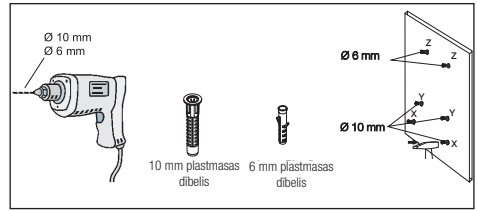


(4. attēls - 90)

## 3 Lerīces uzstādīšana

### 3.2.1. Piekāršanas caurumu urbšana

Piestipriniet uzstādīšanas veidni tvaika nosūcēja uzstādīšanai paredzētajā vietā. Puntos, kas atzīmēti ar X un Y (5. attēls), urbiet ar urbi, kura diametrs ir 10 mm, bet puntos, kas atzīmēti ar Z (5. attēls), urbiet ar urbi, kura diametrs ir 6 mm.



(5. attēls)

## 3 Lerīces uzstādīšana

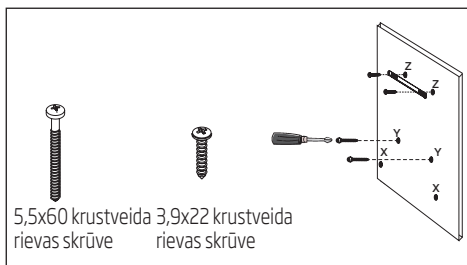
### 3.2.2. Dībeļu iestiprināšana, izmantojot āmuru

Ar āmuru iestipriniet 10 mm diametra dībeļus (X,Y) piekāršanas skrūvēm paredzētajos izurbtajās atverēs. Ar āmuru iestipriniet divus 6 mm dībeļus (Z) atverēs, kas izurbtas ar 6 mm urbi un paredzētas gaisa izplūdes caurules ārējās daļas savienojuma plāksnei. **(5. attēls)**

### 3.2.3. Piekāršanas skrūvju uzstādīšana

Iestipriniet 5,5x60 piekāršanas skrūves 10 mm dībeļos (Y), kurus ar āmuru nostiprinājāt sienā. Starp skrūves galvu un sienu jābūt vismaz 5 mm attālumam. **(6. attēls)**

Piestipriniet gaisa izplūdes caurules iekšējās daļas savienojuma plāksni pie sienā nostiprinātajiem 6 mm dībeļiem (Z), izmantojot 3,9x22 skrūves. **(6. attēls)**



**(6. attēls)**

### 3.2.4. Tvaika nosūcēja piekāršana pie sienas

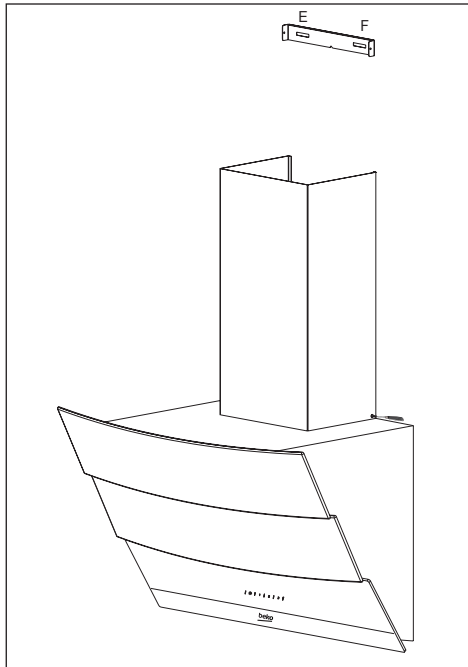
- Uzkariet tvaika nosūcēju uz skrūvēm, kas nostiprinātas Y atverēs.
- Atveriet tvaika nosūcēja sānu sūkšanas lodziņu, pavelkot to virzienā uz sevi. Ievietojiet 5,5x60 skrūves X atverēs, kas atrodas iekšpusē, lai nostiprinātu ierīci.

## 3 Lerīces uzstādīšana

### 3.3. Tvaika nosūcēja gaisa izplūdes caurules uzstādīšana

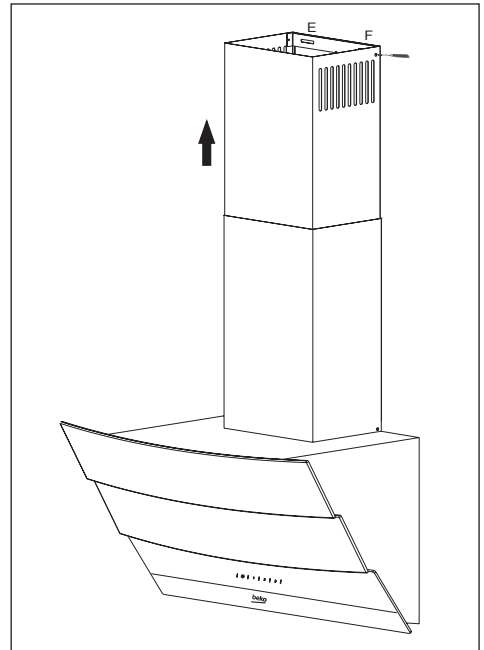
Pirms sākat uzstādīt gaisa izplūdes cauruli, atvienojiet izstrādājumu no strāvas avota. Uzstādiet gaisa izplūdes caurules metāla lokšņu daļas ap korpusu.

Pieskrūvējiet gaisa izplūdes caurules ārējo daļu pie ārējās gaisa izplūdes caurules savienojuma plāksnēm, kas atrodas uz motora korpusa. (3.b/7. attēls)



(7. attēls)

Izvelciet gaisa izplūdes caurules iekšējo daļu no ārējām malām un pieskrūvējiet pie gaisa izplūdes caurules savienojuma plāksnes, kuru iepriekš nostiprinājāt pie sienas (8. attēls).



(8. attēls)

## 3 Lerīces uzstādīšana

### 3.4.1. Lietošana ar gaisa izplūdes caurules savienojumu

- Tvaiks tiek nosūktš caur gaisa izvades cauruli, kura ir piestiprināta pie tvaika nosūcēja savienojuma elementa.
- Gaisa izvades caurules diametram jābūt vienādam ar savienojuma gredzena diametru. Lai nodrošinātu, ka gaiss tiek viegli izvadīts no telpas pa horizontāli nostiprinātu cauruli, caurulei ir jābūt novietotai nedaudz slīpi uz augšu (aptuveni 10° leņķī).

### 3.4.2. Lietošana bez gaisa izplūdes caurules savienojuma

- Gaiss tiek filtrēts caur ogles filtru un izvadīts atpakaļ telpā. Ogles filtrs tiek izmantots tad, ja ēkā nav gaisa izplūdes vietas.
- Ja tvaika nosūcējs tiks izmantots bez savienojuma ar gaisa izplūdes cauruli, izņemiet gaisa izplūdes caurules adapterā esošos novirzītājus.
- Izņemiet alumīnija filtru. Lai uzstādītu ogles filtru, ievietojiet ogles filtru centrā starp plastmasas daļām abās ventilatora korpusa pusēs un nostipriniet to uz izciļņiem. Nostipriniet filtru, pagriežot izciļņus pa labi vai pa kreisi.
- Uzstādiet alumīnija filtru.

### 3.5. Savienošana ar gaisa izplūdes cauruli

Ievietojiet tvaika nosūcēja komplektā esošo adapteru ventilācijas atverē, kas atrodas tvaika nosūcēja augšdaļā. Sagādājiet cauruli, kuras diametrs ir 120/150 mm. Piestipriniet caurules vienu galu pie adaptera, bet otru – pie gaisa izplūdes caurules.

Pārliedzinieties, vai abi savienojumi ir pietiekami izturīgi,

lai tie neizkustētos, kad tvaika nosūcējs darbojas ar maksimālo ātrumu. Pārliedzinieties, vai vārsti gaisa izplūdes caurulē darbojas, kad tie ir nostiprināti ar skavu. Uzlieciet gaisa izplūdes savienojuma cauruli uz adaptera. Ja gaisa izplūdes savienojuma

cauruli ieliksiet adaptera iekšpusē, gaisu nevarēs iesūkt, jo vārsti, kas novērš gaisa atpakaļplūsmu, paliks aizvērti.

Nav ieteicams savienot ar izplūdes caurulēm, kuras ir savienotas ar plītim vai dūmeņiem. Neveidojiet savienojumus ar šādām izplūdes caurulēm.

Caurules savienojumam ir jābūt pēc iespējas īsākam ar iespējami mazāko līkumu skaitu.

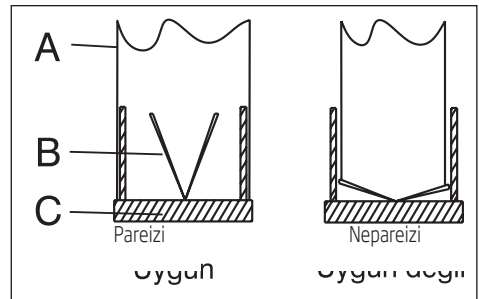
A. Gaisa izplūdes caurule

B. Vārsti, kas novērš atpakaļplūsmu

C. Plastmasas gaisa izvades caurule

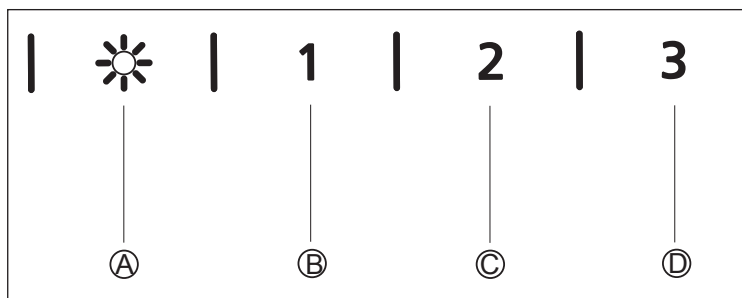
#### 3.5.1. Atpakaļplūsmas novēršanas sistēma (N-RV)

Kad tvaika nosūcējs darbojas, vārsti tiek aizvērti, lai nepieļautu aromātu un putekļu iekļūšanu telpā no ārpusēs.



(9. attēls)

## 4 Lerīces lietošana



(9. attēls)

**(A):** apgaismojuma ieslēgšanas/izslēgšanas taustiņš

**(B):** 1. līmeņa taustiņš

**(C):** 2. līmeņa taustiņš

**(D):** 3. līmeņa taustiņš

### 4.1. Digitālā elektroniskā vadība ar 3 līmeņiem

**(A): apgaismojuma ieslēgšanas/izslēgšanas taustiņš.** Nospiediet šo taustiņu, lai apgaismotu ēdiena gatavošanas zonu.

**(B) taustiņš.** Nospiediet šo taustiņu, lai tvaika nosūcējs darbotos 1. ātruma līmenī.

Nospiediet šo taustiņu vēlreiz, lai ierīci izslēgtu; ātruma līmeņa indikators nodziest.

**(C) taustiņš.** Nospiediet šo taustiņu, lai tvaika nosūcējs darbotos 2. ātruma līmenī.

Nospiediet šo taustiņu vēlreiz, lai ierīci izslēgtu; ātruma līmeņa indikators nodziest.

**(D) taustiņš.** Nospiediet šo taustiņu, lai tvaika nosūcējs darbotos 3. ātruma līmenī.

Nospiediet šo taustiņu vēlreiz, lai ierīci izslēgtu; ātruma līmeņa indikators nodziest.

### Automātiska izslēgšana pēc 15 minūtēm

Šai ierīcei ir automātiskas izslēgšanas funkcija, lai pēc ēdiena pagatavošanas ierīce noteiktu laiku turpinātu ventilēt telpu, atbrīvojot to no nepatīkama aromāta un tvaika. Ierīce automātiski izslēdzas pēc noteikta laika perioda.

Lai aktivizētu automātiskas izslēgšanas funkciju, vadības panelī jebkuru ātruma līmeņa taustiņu (B, C, D) turiet nospiestu ilgāk par 2 sekundēm. Tiek aktivizēts 15 minūšu taimeris.

Ja tad, kad ir aktivizēta automātiskas izslēgšanas funkcija, tiek nospiests tas pats ātruma līmeņa taustiņš, funkcija tiek deaktivizēta un ierīce izslēdzas.

Ja tiek izvēlēts cits ātruma līmenis, funkcija tiek deaktivizēta.

Ja vēlaties, lai ierīce izslēgtos automātiski, automātiskās izslēgšanas funkcija ir jāaktivizē vēlreiz.

### Periodiska metāla filtru maiņa

Filtri atkarībā no lietošanas biežuma ir jātīra ik pēc 60 darbības stundām vai 4 nedēļām.



### 4.2. Energoefektīva lietošana

- Lietojot tvaika nosūcēju, noregulējiet ātruma līmeni atbilstoši aromāta un tvaika intensitātei, lai lieki netērētu elektroenerģiju.
- Parastos apstākļos izmantojiet lēnākos ātruma iestatījumus (1-2), bet visātrāko iestatījumu (3) lietojiet tad, ja intensīvi veidojas aromāts un tvaiks.
- Tvaika nosūcēja spuldzes ir paredzētas gatavošanas zonas apgaismošanai.

Ja tās tiek izmantotas, lai apgaismotu apkārtējo telpu/virtuvi, tiek nevajadzīgi patērēta elektroenerģija un iegūts nepietiekams apgaismojums.

### 4.3. Tvaika nosūcēja darbība

- Tvaika nosūcējam ir motors ar dažādiem ātruma iestatījumiem.
- Lai nodrošinātu optimālu darbību, ieteicams parastos apstākļos izmantot lēnākos ātruma iestatījumus, bet ātrākos iestatījumus lietot tad, ja aromāts un tvaiks veidojas intensīvi.
- Lai ieslēgtu tvaika nosūcēju, nospiediet vajadzīgā ātruma līmeņa taustiņu (B, C, D).
- Lai apgaismotu ēdiena gatavošanas zonu, nospiediet apgaismojuma taustiņu. (A)

## 5 Tīrīšana un apkope

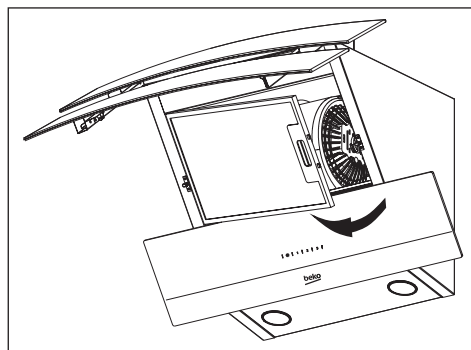
Pirms tīrīšanas un apkopes atvienojiet ierīci no strāvas avota, izslēdziet strāvas slēdzi vai arī atslēdziet drošinātāju, kas nodrošina strāvas padevi tvaika nosūcējam.

### 5.1. Alumīnija filtrs

Filtra uztver gaisā esošās eļļas daļiņas. Parastos lietošanas apstākļos ieteicams filtru tīrīt reizi mēnesī. Lai to paveiktu, vispirms izņemiet alumīnija filtrus. Nomazgājiet filtrus ar šķidro mazgāšanas līdzekli, izskalojiet tos ar ūdeni un pēc nožūšanas uzstādiet atpakaļ. Mazgāšanas laikā alumīnija filtru krāsa var mainīties; tas ir normāli un nenorāda uz nepieciešamību mainīt filtru.

#### 5.1.1. Alumīnija filtru izņemšana

1. Pabīdiet alumīnija filtra aizslēgu uz priekšu.
2. Pēc tam nolaidiet to nedaudz zemāk un pavelciet uz priekšu. Pretējā gadījumā filtru var saliekt. (10. attēls.) Kad alumīnija filtrs ir izmazgāts un nožūvis, uzstādiet to atpakaļ paredzētajā vietā, veicot iepriekš aprakstītās darbības pretējā secībā.



(10. attēls)



Alumīnija filtrus var arī mazgāt trauku mazgājamajā mašīnā.

### Ogles filtrs (lietojot bez gaisa izplūdes caurules)

Šis filtrs likvidē ēdiena gatavošanas radīto aromātu. Ja nav iespējams izmantot gaisa izplūdes cauruli, tas attīra gaisu, pirms tas tiek izvadīts atpakaļ virtuvē. Atkarībā no lietošanas biežuma, ēdiena gatavošanas paradumiem un alumīnija filtru regulāras tīrīšanas ierīces ogles filtrs ar laiku aizsērēs.



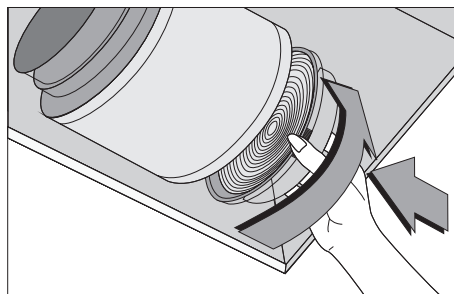
#### Uzmanību!

Ogles filtru nedrīkst mazgāt.

Ogles filtrus var iegādāties no Beko pilnvarotā apkalpošanas dienesta.

#### 5.2.1. Ogles filtra maiņa

- Izņemiet alumīnija filtrus. (10. attēls)
- Lai izņemtu ogles filtru, pagrieziet izcilņus pretēji pulksteņrādītāja kustības virzienam un atbrīvojiet filtru. (11. attēls)
- Ievietojiet jauno ogles filtru.
- Uzstādiet alumīnija filtrus.



(11. attēls)

Aromāta mazināšanas filtri satur kokogles (aktīvo ogli).

Tie ir jāmaina aptuveni ik pēc 6 mēnešiem.

Neatkarīgi no tā, vai tiek izmantots ogles filtrs, alumīnija filtri vienmēr ir jābūt uzstādītiem.

Nedarbiniet ierīci, ja nav uzstādīts alumīnija filtrs. Lietojot ierīci ar ogles filtru, samazinās tās sūkšanas jauda.

## 5 Tīrīšana un apkope

### 5.3. Tīrīšana

Īpašu uzmanību tvaika nosūcēja tīrīšanai pievēršiet uzreiz pēc cepšanas.

Tvaika nosūcēja ārējās virsmas tīrīšanai izmantojiet mīkstu drānu, kas samitrināta ar šķidro mazgāšanas līdzekli.

Tīrīšanai neizmantojiet abrazīvus vai skrāpējošus materiālus.

Var izmantot tirgū pieejamos tīrīšanas līdzekļus, kas paredzēti noturīgu tauku tīrīšanai; ievērojiet brīdinājumus, kas sniegti uz izstrādājuma. Lai nesaskrāpētu matēto tērauda virsmu, veiciet slaucīšanas kustības matējuma virzienā.

Lai nesabojātu izstrādājuma virsmu, neizmantojiet tīrīšanas līdzekļus, kas satur sāļsskābi, balinātāju vai abrazīvus pulverus. Nerūsējošā tērauda virsmu tīrīšanai izmantojiet drānu, kas samitrināta ziepjūdenī, vai īpašus aerosolus, kas paredzēti nerūsējošā tērauda tīrīšanai. Noņemiet ierīces aizsargplēvi.



#### Uzmanību!

Ja netiek ievēroti norādījumi par tvaika nosūcēja tīrīšanu un filtru maiņu, pastāv risks izraisīt ugunsgrēku.

Rīcība, ja ierīci nepieciešams transportēt

- Saglabājiet ierīces oriģinālo iepakojumu. Transportējiet ierīci tās oriģinālajā iepakojumā un ievērojiet uz šī iepakojuma norādīto informāciju par transportēšanu.

#### Rīcība, ja nav oriģinālā iepakojuma

- Nelieciet uz tvaika nosūcēja nekādus priekšmetus.
- Pasargājiet ārējo virsmu no triecieniem.
- Iesaiņojiet ierīci tā, lai tā transportēšanas laikā netiktu bojāta.

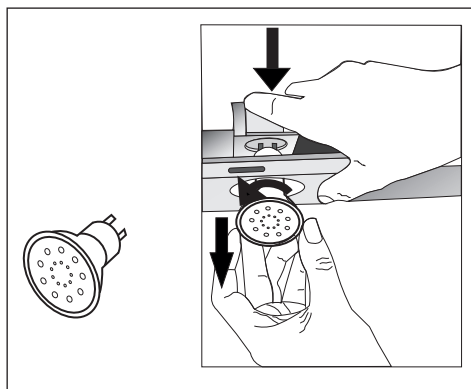
### 5.4. Spuldžu nomaiņa

Atvienojiet tvaika nosūcēju no strāvas avota.

Šī ierīce ir aprīkota ar 3 W gaismas diodžu spuldzēm.

Lai nomainītu gaismas diodžu spuldzes, atbrīvojiet spuldzi, piespiežot uz leju no spuldzes turētāja aizmugurējās daļas. Pēc tam pagrieziet spuldzi pretēji pulkstenrādītāja kustības virzienam par 1/4 apgrieziena un izņemiet to.

Lai ieliktu jaunas spuldzes, veiciet iepriekš aprakstītās darbības pretējā secībā.



Spuldzes var iegādāties no pilnvarotā apkalpošanas dienesta.

# Por favor, leia este manual do utilizador em primeiro lugar!




Caro Cliente,

Obrigado por preferir um produto Beko. Esperamos que obtenha os melhores resultados do seu produto, que foi fabricado com alta qualidade e com a mais moderna tecnologia. Portanto, por favor, leia com atenção todo este manual do utilizador e os outros documentos que o acompanham antes de usar o produto e guarde-o como referência para uso futuro. Se passar o produto para outra pessoa, dê-lhe também este manual. Siga todos os avisos e informações do manual do utilizador.

Lembre-se que este manual do utilizador pode ser também aplicável para diversos outros modelos. As diferenças entre os modelos estarão identificadas no manual.

## Explicação das figuras

São utilizados os seguintes símbolos ao longo deste manual do utilizador:

	Informações importantes ou dicas úteis sobre a utilização.
	Aviso sobre situações perigosas para a vida e a propriedade.
	Aviso de choque elétrico.



Este produto foi fabricado com a tecnologia mais recente em condições amigas do ambiente.

Está em conformidade com a Diretiva REEE.



Não contém PCB.

# 1 Instruções importantes sobre a segurança e o ambiente

Esta secção contém instruções de segurança que ajudarão a protegê-lo(a) contra ferimentos pessoais ou danos à propriedade. O não seguimento destas instruções invalida todas as garantias.

## 1.1 Segurança geral

- Mandar sempre efetuar a instalação e procedimentos de reparação pelo Agente de Serviço Autorizado. O fabricante não será responsável por danos resultantes de procedimentos executados por pessoas não autorizadas.
- Este aparelho não foi concebido para ser utilizado por pessoas (incluindo crianças) com capacidades físicas, mentais ou sensoriais reduzidas, ou sem experiência ou conhecimento. As crianças devem ser supervisionadas para garantir que não brincam com o aparelho.

### 1.1.1 Segurança elétrica

- Durante os procedimentos de instalação, manutenção, limpeza e reparação, desligue o produto da tomada.

- Em caso de danos no cabo de alimentação, o mesmo deve ser substituído pelo fabricante, pelo serviço de pós-venda, por um técnico com qualificações semelhantes (preferencialmente um electricista) ou por alguém que o importador nomeie, de modo a evitar possíveis riscos.
- A tensão de funcionamento é de 220 a 240 volts.
- Se o aparelho tiver uma falha, não deve ser colocado a funcionar enquanto não for reparado pelo Agente de Serviço Autorizado. Existe risco de choque elétrico!
- Não encaminhe o cabo de alimentação perto do exaustor. Caso contrário, o cabo de alimentação poderá causar um incêndio dado que pode derreter-se facilmente.
- Nunca ligue o exaustor antes da instalação estar completa.
- Para obter o melhor desempenho, o condutor externo não deverá ter mais de 4 metros. Não deverá conter mais do que 2 ângulos perpendiculares (90°) e o diâmetro deve ser, no mínimo,  $\varnothing 120$  mm.

# 1 Instruções importantes sobre a segurança e o ambiente

- Desligue o aparelho antes de qualquer intervenção nas partes internas do mesmo.

## 1.1.2 Segurança do produto

- Pode usar um tubo com um diâmetro de 120 mm ou 150 mm na ligação da chaminé ao exaustor.
- Não faça ligações às chaminés ligadas a fogões, eixos de exaustão ou chaminés com chamas vivas. Respeite as regras definidas pelas autoridades no que se refere aos fumos de exaustão.
- A altura entre a superfície inferior do exaustor e a superfície superior do fogão/forno não deve ser inferior a 65 cm.
- Não funcione com o exaustor sem os filtros de alumínio e não remova os filtros enquanto o aparelho estiver a funcionar.
- Nunca toque na lâmpada do exaustor depois de ter estado em funcionamento durante muito tempo. As lâmpadas quentes poderão queimar as mãos.
- Evite chamas grandes por baixo do produto. Caso contrário, as partículas no filtro do óleo poderão pegar fogo e provocar um incêndio.
- Ligue os exaustores depois de colocar tachos ou panelas sobre ele. Caso contrário, a temperatura em ascensão poderá deformar certas partes do seu produto.
- Desligue os exaustores antes de retirar os tachos e panelas.
- Evite materiais inflamáveis sob o exaustor.
- O óleo pode pegar fogo ao fritar alimentos. Portanto, tenha cuidado com os panos e cortinas.
- Nunca deixe o fogão sem supervisão quando estiver a fritar alimentos, pois o óleo a ferver pode causar um incêndio.
- Existe risco de incêndio se o seu exaustor não for limpo nos períodos especificados.
- Tenha muito cuidado e use luvas ao limpar o exaustor.
- Aconselhamos a colocar o aparelho em funcionamento alguns minutos antes de começar a cozinhar, para aumentar o poder de sucção. Assim, terá um poder de sucção contínuo e estável quando os vapores começam a subir.
- Deixe o exaustor em funcionamento durante mais 15 minutos após o final dos cozinhados ou frituras, de modo a fazer sair os cheiros da cozinha.

- Quando o exaustor está em funcionamento, especialmente em conjunto com fogões a gás, certifique-se de que o ambiente está ventilado com ar limpo.
- Tenha cuidado para não ligar o aparelho a chaminés usadas com dispositivos não elétricos. (Por exemplo: Chaminé do aquecedor).
- Se estiver a ser utilizado ao mesmo tempo e na mesma divisão do exaustor um aparelho não elétrico, a pressão negativa na divisão tem de ser no máximo de 0,4 mbar, para impedir o exaustor de aspirar o escape do outro aparelho para a divisão.

### **1.1.3 Segurança das crianças**

- Os materiais de embalagem são perigosos para as crianças. Guarde os materiais da embalagem num local seguro e fora do alcance das crianças.
- Os aparelhos elétricos são perigosos para as crianças. Mantenha as crianças afastadas do produto. Não deixe que as crianças brinquem com o aparelho.

## **1.2 Utilização prevista**

- Este aparelho destina-se a utilização doméstica. Não é adequado para uso comercial e não pode ser utilizado para além do seu uso previsto.
- O fabricante não será responsável por qualquer dano causado pelo uso ou manuseamento indevido.
- O período necessário para a disponibilidade de peças sobresselentes para o correto funcionamento do aparelho é de dez anos.

# 1 Instruções importantes sobre a segurança e o ambiente

## 1.3 Conformidade com a diretiva REEE e eliminação de resíduos



Este produto não contém os materiais nocivos e proibidos descritos na "Diretiva relativa à restrição do uso de determinadas substâncias perigosas em equipamentos elétricos e eletrônicos" (REEE) emitida pelo Ministro do Ambiente e Urbanização da República da Turquia.

Está em conformidade com a Diretiva REEE.

Este produto foi fabricado com materiais e peças de alta qualidade que podem ser reutilizados e são apropriados para reciclagem. Por isso, não elimine o produto juntamente com o lixo doméstico normal no fim da sua vida útil. Leve-o a um ponto de recolha para a reciclagem de equipamentos elétricos e eletrônicos. Por favor, consulte suas autoridades locais para saber onde fica o ponto de recolha mais próximo. Ajude a proteger o ambiente e os recursos naturais reciclando os produtos usados.

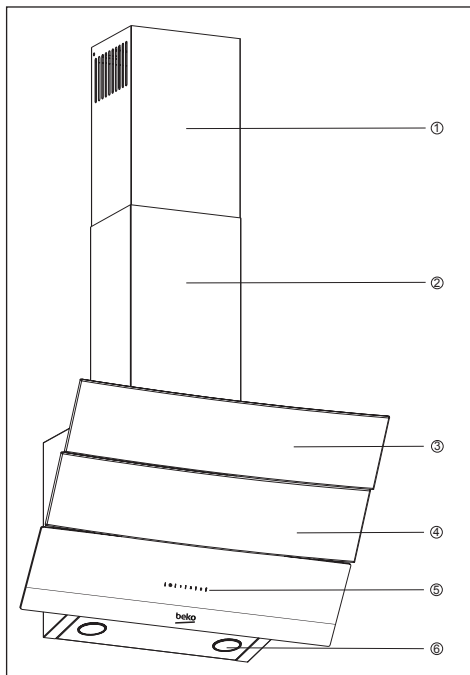
## 1.4 Informação de embalagem



A embalagem do produto foi fabricada com materiais reciclados, de acordo com a Legislação Nacional. Não elimine os resíduos da embalagem juntamente com outros resíduos nem lixo doméstico e entregue-os nos pontos de recolha de embalagens indicados pelas autoridades.



## 2 Especificações técnicas do seu aparelho



1. Chaminé interna
2. Chaminé externa
3. Tampa de vidro
4. Filtro (por baixo da tampa de vidro)
5. Painel de controlo
6. Iluminação

(Figura 1)

	HCA 92640 BH	HCA 92640 WH	HCA 62640 W	HCA 62640 WH
Largura	896 mm	896 mm	596 mm	596 mm
Profundidade	393 mm	393 mm	386 mm	386 mm
Altura	750 mm / 1130 mm	750 mm / 1130 mm	750 mm / 1080 mm	750 mm / 1080 mm
Tensão de alimentação	220 - 240 V, 50 Hz	220 - 240 V, 50 Hz	220 - 240 V, 50 Hz	220 - 240 V, 50 Hz
Controlo	Com 3 níveis	Com 3 níveis	Com 3 níveis	Com 3 níveis
Potência da lâmpada	2 x 3 W	2 x 3 W	2 x 3 W	2 x 3 W
Tubo de saída de ar	120 / 150 mm	120 / 150 mm	120 / 150 mm	120 / 150 mm
Capacidade	577 m <sup>3</sup> /h	577 m <sup>3</sup> /h	537 m <sup>3</sup> /h	537 m <sup>3</sup> /h
Potência do motor	1 x 210 W	1 x 210 W	1 x 210 W	1 x 210 W
Potência total	216 W	216 W	216 W	216 W
Peso líquido	13 kg	13 kg	10,4 kg	10,4 kg
Cor	Preto	Branco	Branco	Branco

Os valores indicados nas etiquetas do produto ou na documentação que o acompanha são obtidos em condições laboratoriais, dentro de padrões relevantes. Estes valores podem mudar de acordo com as condições de utilização e ambiente do produto.

## 2 Especificações técnicas do aparelho

	HCA 62640 B	HCA 62640 BH	HCA 62540 B	HCA 92540 B
Largura	596 mm	596 mm	596 mm	896 mm
Profundidade	386 mm	386 mm	386 mm	393 mm
Altura	750 mm /1080 mm	750 mm /1080 mm	750 mm /1080 mm	750 mm / 1130 mm
Tensão de alimentação	220 - 240 V, 50 Hz	220 - 240 V, 50 Hz	220 - 240 V, 50 Hz	220 - 240 V, 50 Hz
Controle	Com 3 níveis	Com 3 níveis	Com 3 níveis	Com 3 níveis
Potência da lâmpada	2 x 3 W	2 x 3 W	2 x 3 W	2 x 3 W
Tubo de saída de ar	120 / 150 mm	120 / 150 mm	120 / 150 mm	120 / 150 mm
Capacidade	537 m <sup>3</sup> /h	537 m <sup>3</sup> /h	566 m <sup>3</sup> /h	593 m <sup>3</sup> /h
Potência do motor	1 x 210 W	1 x 210 W	1 x 210 W	1 x 210 W
Potência total	216 W	216 W	216 W	216 W
Peso líquido	10,4 kg	10,4 kg	10,4 kg	13 kg
Cor	Preto	Preto	Preto	Preto

	HCA 62641 BH	HCA 62641 WH	HCA 92641 BH	HCA 92641 WH
Largura	596 mm	596 mm	896 mm	896 mm
Profundidade	386 mm	386 mm	393 mm	393 mm
Altura	750 mm /1080 mm	750 mm /1080 mm	750 mm / 1130 mm	750 mm / 1130 mm
Tensão de alimentação	220 - 240 V, 50 Hz	220 - 240 V, 50 Hz	220 - 240 V, 50 Hz	220 - 240 V, 50 Hz
Controle	Com 3 níveis	Com 3 níveis	Com 3 níveis	Com 3 níveis
Potência da lâmpada	2 x 3 W	2 x 3 W	2 x 3 W	2 x 3 W
Tubo de saída de ar	120 / 150 mm	120 / 150 mm	120 / 150 mm	120 / 150 mm
Capacidade	638 m <sup>3</sup> /h	638 m <sup>3</sup> /h	648 m <sup>3</sup> /h	648 m <sup>3</sup> /h
Potência do motor	1 x 210 W	1 x 210 W	1 x 210 W	1 x 210 W
Potência total	216 W	216 W	216 W	216 W
Peso líquido	10,4 kg	10,4 kg	13 kg	13 kg
Cor	Preto	Branco	Preto	Branco

## 3 Instalação do aparelho

Consulte o **Agente de Serviço Autorizado** mais próximo para a instalação do exaustor.

\*A preparação do local e a instalação elétrica do produto está sob a responsabilidade do cliente.



### Atenção!

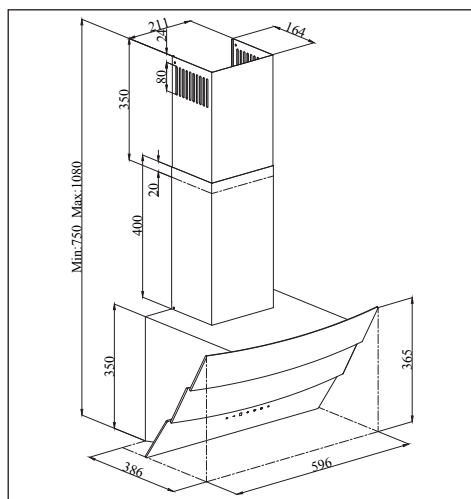
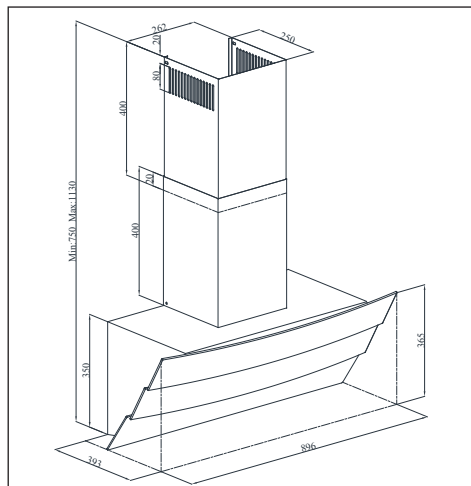
Remova o filme protetor (se o houver) da superfície da chaminé e do exaustor, após a instalação.

A distância mínima entre a superfície inferior do exaustor e a superfície superior da placa deve ser de **65 cm**.

Faça com que seja um electricista qualificado a fazer a ligação elétrica.

Instale o aparelho de modo a que consiga alcançar facilmente a ligação elétrica (tomada, ficha) após a instalação.

As dimensões são dadas em mm.

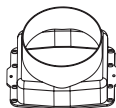


### 3.1 Acessórios de instalação

1 x placa de ligação de chaminé



1 x chaminé de plástico de Ø150 mm



1 x adaptador de chaminé de plástico de Ø120/150 mm

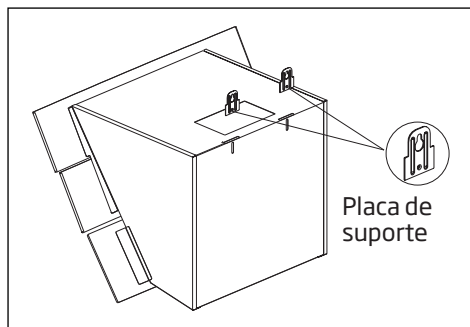


## 3 Instalação do aparelho

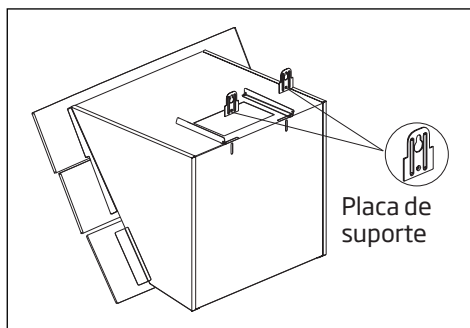
A informação necessária para a preparação do local de instalação do seu exaustor é fornecida abaixo.

### 3.2 Instalação do exaustor na parede

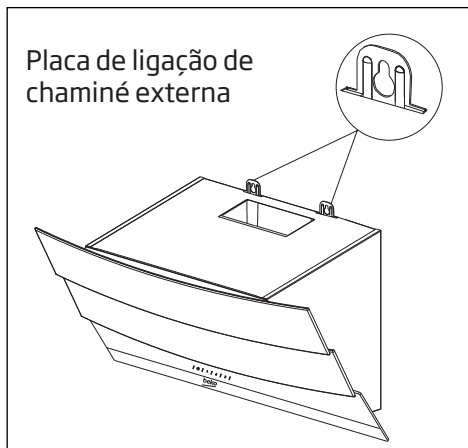
Para instalar o exaustor na parede, desaperte os parafusos das placas de suporte no compartimento do motor e puxe as placas para cima. Depois, aperte os parafusos das placas de suporte. (Figura 3a).



(Figura 3a - 60)



(Figura 3a - 90)



(Figura 3b - 60)

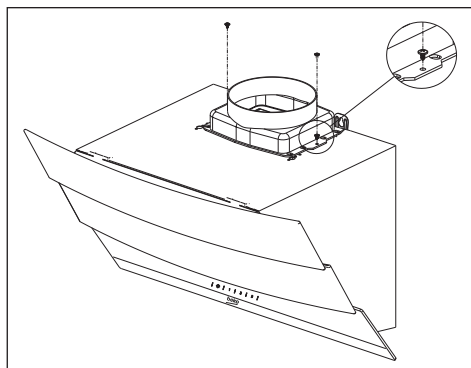


(Figura 3b - 90)

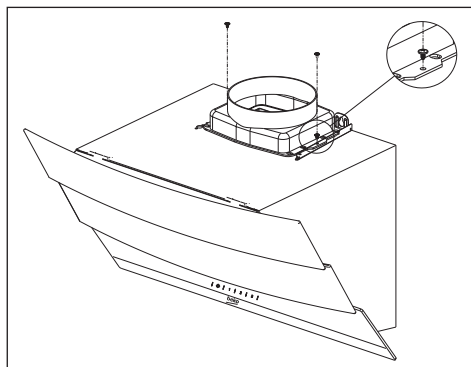
Aperte o adaptador de chaminé de plástico de  $\varnothing$  150 mm na parte superior do corpo com o parafuso de 3,5 x 9,5 incluído nos acessórios de instalação (Figura 4).

Se utilizar o tubo de chaminé de  $\varnothing$  120 mm, instale o adaptador de chaminé de  $\varnothing$  120 mm no mesmo.

### 3 Instalação do aparelho



(Figura 4 - 60)

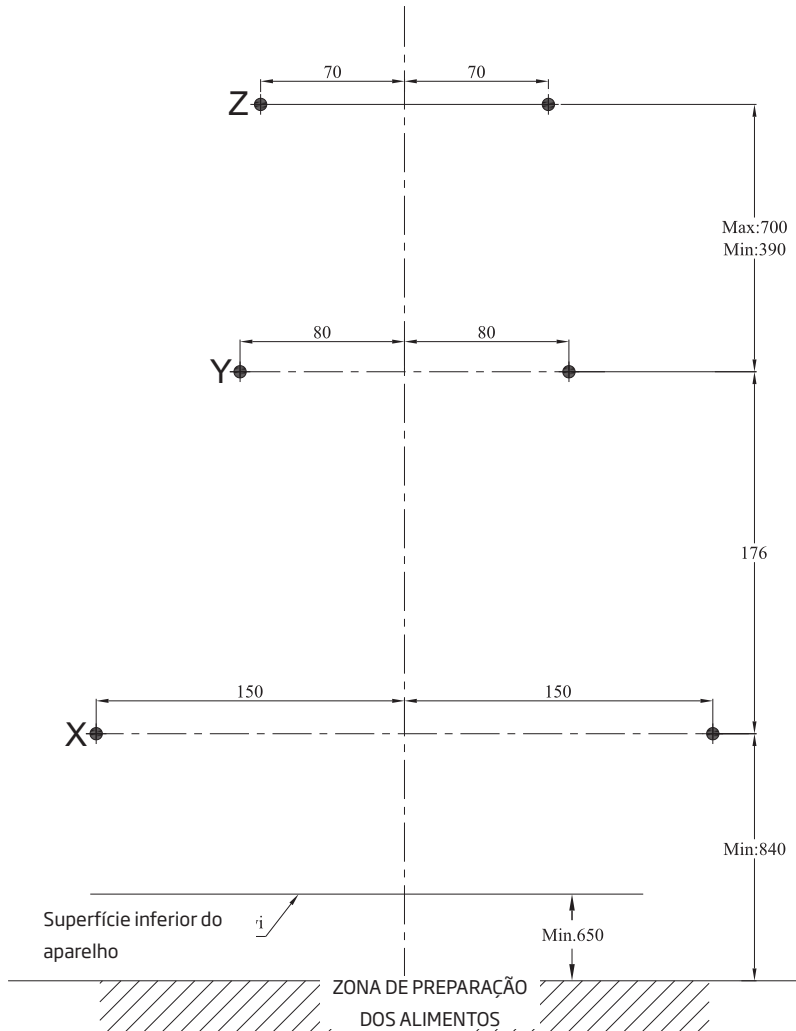
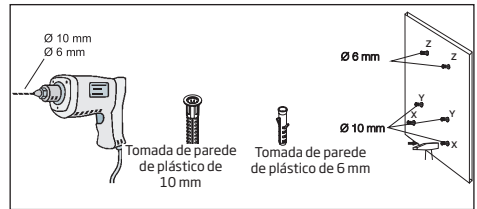


(Figura 4 - 90)

### 3 Instalação do aparelho

#### 3.2.1 Perfuração dos orifícios do suporte

Afixe o modelo de instalação ao local de instalação do exaustor. Perfure os pontos assinalados com (X,Y) (**Figura 5**) com uma broca de  $\varnothing 10$  mm e os pontos assinalados com (Z) (**Figura 5**) com uma broca de  $\varnothing 6$  mm.



(Figura 5)

## 3 Instalação do aparelho

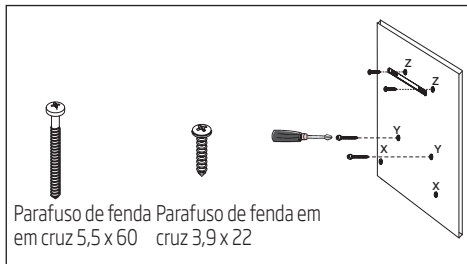
### 3.2.2 Inserção das buchas

Insira as buchas de  $\varnothing$  10 mm (X,Y) nos orifícios perfurados para os parafusos do suporte. Insira 2 buchas de  $\varnothing$  6 mm (Z) nos orifícios perfurados com uma broca de  $\varnothing$  6 mm para a placa de ligação de chaminé externa. (Figura 5)

### 3.2.3 Instalação dos parafusos do suporte

Instale os parafusos de 5,5 x 60 nas buchas de  $\varnothing$  10 mm (Y) que inseriu na parede. Deverá haver uma abertura de 5 mm entre a cabeça do parafuso e a parede. (Figura 6)

Afixe a placa de ligação da chaminé interna às buchas de 6 mm (Z) da parede com os parafusos de  $\varnothing$  3,9 x 22. (Figura 6)



(Figura 6)

### 3.2.4 Montagem do exaustor na parede

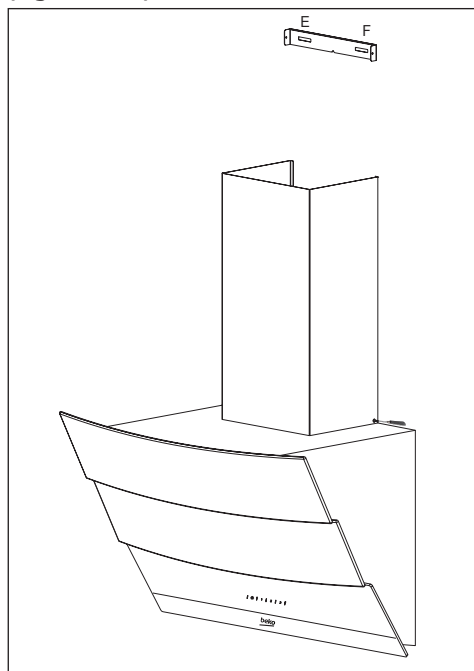
- Monte o exaustor nos parafusos que instalou nos orifícios Y.
- Abra a janela de sucção lateral do exaustor ao puxá-la na sua direção. Instale os parafusos 5,5 x 60 através dos orifícios X, localizados no interior, para segurar o aparelho.

## 3 Instalação do aparelho

### 3.3 Instalação da chaminé do exaustor

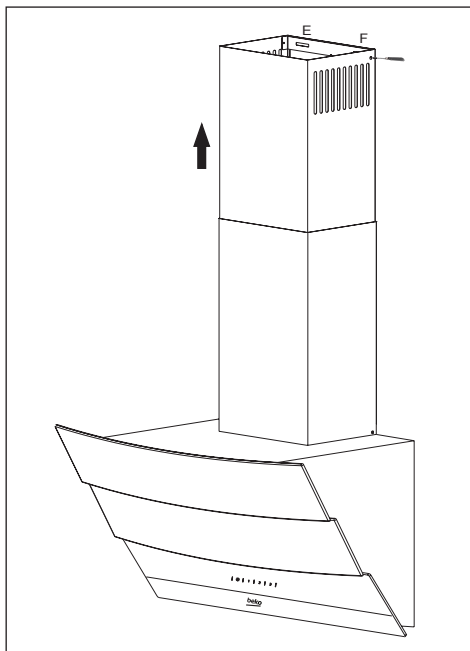
Desligue o produto da rede elétrica antes de iniciar a instalação da chaminé. Encaixe as peças da chaminé da chapa à volta do corpo.

Aparafuse a chaminé externa às placas de ligação da chaminé externa, localizada no compartimento do motor. (Figura 3b / 7)



(Figura 7)

Expanda e aparafuse a chaminé interna das extremidades de fora na placa de ligação da chaminé que foi afixada à parede (Figura 8).



(Figura 8)



## 3 Instalação do aparelho

### 3.4.1 Utilização com a ligação da chaminé

- O vapor é removido através do tubo da chaminé, que é afixado à cabeça da ligação no exaustor.
- O diâmetro do tubo deve ser igual ao diâmetro do anel de ligação. Para permitir a remoção fácil do ar da divisão em fluxos horizontais, o tubo deverá estar ligeiramente inclinado para cima (em aproximadamente 10°).

### 3.4.2 Utilização sem a ligação da chaminé

- O ar é filtrado pelo filtro de carbono e devolvido à divisão. O filtro de carbono é utilizado se o compartimento não tiver chaminé.
- Em caso de utilização do exaustor sem ligação de chaminé, remova os defletores dentro do adaptador de chaminé.
- Remova o filtro de alumínio. Para instalar o filtro de carbono, centre o mesmo na peça de plástico em ambos os lados do corpo da ventoinha e prenda-o nas patilhas. Prenda o filtro ao virar as patilhas para a esquerda ou para a direita.
- Instale o filtro de alumínio.

## 3.5 Ligação da chaminé:

Coloque o adaptador fornecido com o exaustor no orifício de ventilação localizado na parte seccção do exaustor. Instale um tubo com um diâmetro de 120/150 mm. Ligue uma extremidade do tubo ao adaptador e a outra extremidade à chaminé.

Certifique-se de que ambas as ligações estão suficientemente apertadas

para que não se desloquem quando o exaustor estiver a funcionar na velocidade máxima. Verifique se as abas dentro da chaminé estão a funcionar depois de apertadas com o grampo. Ajuste o tubo de ligação da chaminé ao adaptador. Se ajustar o tubo de ligação da chaminé dentro do adaptador, não haverá sucção do ar, pois as abas que impedem o refluxo do ar permanecerão fechadas.

Não é aconselhável fazer ligações às chaminés ligadas a fogões ou eixos de exaustão. Não faça ligações a essas chaminés.

A ligação do tubo deve ser o mais curta possível e ter o mínimo número de curvas.

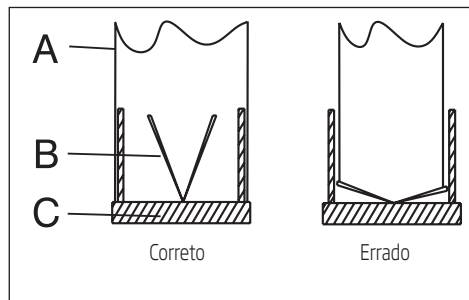
A: Tubo de saída da chaminé

B: Abas que impedem o refluxo

C: Chaminé de plástico

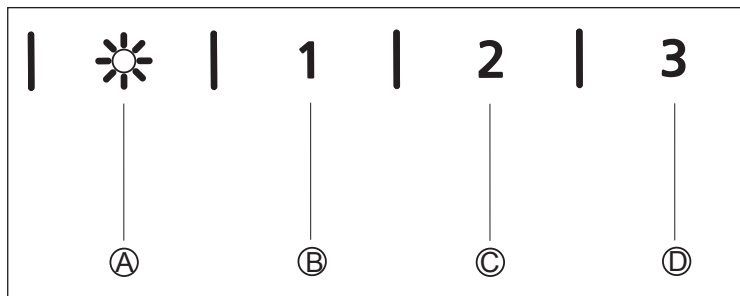
### 3.5.1 Sistema de prevenção de refluxo (N-RV)

Durante o funcionamento do exaustor, as abas são fechadas para evitar que possíveis odores e poeiras entrem do exterior para o ambiente.



(Figura 9)

## 4 Funcionamento do aparelho



(Figura 9)

**(A):** Botão Luz acesa/apagada

**(B):** Botão de 1.º nível

**(C):** Botão de 2.º nível

**(D):** Botão de 3.º nível

### 4.1 Controlo eletrónico digital com 3 níveis

**Botão (A) Botão Luz acesa/apagada:** Pode premir este botão para iluminar a área de preparação dos alimentos.

**Tecla (B):** Pode premir este botão para ligar o exaustor no nível de velocidade 1.

Quando prime novamente este botão para desligar o aparelho, a indicação do nível de velocidade desaparece do ecrã.

**Botão (C):** Pode premir este botão para ligar o exaustor no nível de velocidade 2.

Quando prime novamente este botão para desligar o aparelho, a indicação do nível de velocidade desaparece do ecrã.

**Botão (D):** Pode premir este botão para ligar o exaustor no nível de velocidade 3.

Quando prime novamente este botão para desligar o aparelho, a indicação do nível de velocidade desaparece do ecrã.

### Paragem automática em 15 minutos:

Este aparelho está equipado com uma função de paragem automática, que permite ao mesmo ventilar a divisão durante um período de tempo adicional, para remover os odores e vapores desagradáveis que permanecem depois de cozinhar. O aparelho para automaticamente ao fim de um determinado período de tempo.

Para ativar a função de paragem automática, prima qualquer um dos botões de nível (B, C ou D) no controlo durante mais de dois segundos. É ativado um temporizador com 15 minutos.

Se premir o mesmo botão de velocidade enquanto a função de paragem automática está ativada, a mesma é desativada e o aparelho para.

Se selecionar outro nível de velocidade, esta função é desativada.

Se pretender que o aparelho pare automaticamente, tem de voltar a ativar a função de paragem automática.

## 4 Funcionamento do aparelho

### **Limpeza periódica dos filtros de metal:**

Os filtros devem ser limpos de 60 em 60 horas de funcionamento ou de 4 em 4 semanas, consoante a frequência de utilização.

### **4.2 Utilização energeticamente eficiente:**

- Quando o exaustor estiver a funcionar, ajuste o nível de velocidade de acordo com a intensidade dos odores e dos vapores, para evitar consumo energético desnecessário.
- Utilize velocidades baixas em condições normais (1-2) e velocidades altas (3) em caso de odores e vapores intensos.
- As luzes no exaustor destinam-se a iluminar a zona de preparação dos alimentos.

Utilizá-las para iluminar o ambiente ou a cozinha origina um consumo energético desnecessário e iluminação inadequada.

### **4.3 Funcionamento do exaustor:**

- O exaustor está equipado com um motor que tem vários ajustes de velocidade.
- Para um melhor desempenho, aconselhamos a utilizar velocidades baixas em condições normais e velocidades altas em caso de odores e vapores intensos.
- Para ligar o exaustor, prima o botão de nível de velocidade pretendido (B, C ou D).
- Pode premir o botão de iluminação para iluminar a área de preparação dos alimentos. (A)

## 5 Limpeza e manutenção

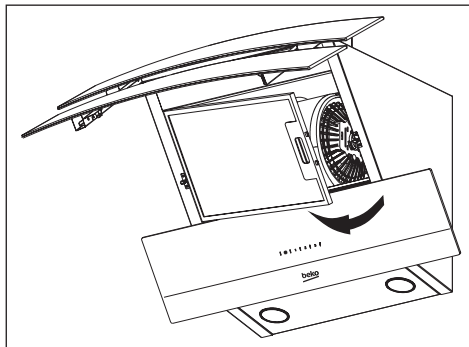
Antes da limpeza e manutenção, desligue o aparelho ou desligue a corrente ou desaperte o fusível que alimenta o exaustor.

### 5.1 Filtro de alumínio

Este filtro captura partículas de óleo no ar. Recomenda-se que limpe o filtro todos os meses, para condições de utilização normais. Para este processo, retire primeiro os filtros de alumínio. Lave os filtros com detergente líquido, enxague com água e volte a instalar os mesmos quando estiverem secos. Os filtros de alumínio podem perder a cor com as lavagens; esta situação é normal e não é necessário substituir o filtro.

#### 5.1.1 Remoção dos filtros de alumínio

1. Empurre o bloqueio do filtro de alumínio para a frente.
2. Em seguida, puxe-o ligeiramente para baixo e puxe para a frente. Caso contrário, poderá causar dobras no filtro. (Figura 10) Quando o filtro de alumínio estiver lavado e seco, reinstale o mesmo na respetiva ranhura ao seguir os passos acima por ordem inversa.



(Figura 10)



Também pode lavar os filtros de alumínio na máquina da louça.

### Filtro de carbono (utilização sem chaminé)

Este filtro remove os odores dos cozinhados. Se não for possível utilizar uma chaminé, o filtro purifica o ar que circula dentro da cozinha. Dependendo da frequência de utilização, do estilo de cozinhar e da limpeza regular dos filtros de alumínio, o filtro de carbono do aparelho irá ficar entupido.



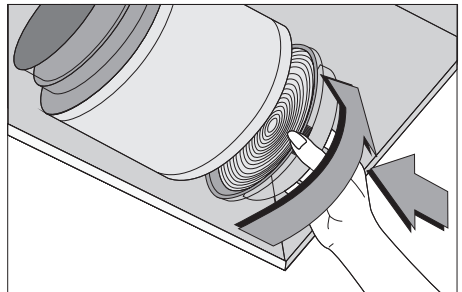
#### Atenção!

O filtro de carbono nunca deve ser lavado.

**Pode adquirir os filtros de carbono junto dos Agentes de Serviço Autorizados da Beko.**

### 5.2.1 Substituição do filtro de carbono

- Remova os filtros de alumínio. (Figura 10)
- Para remover o filtro de carbono, gire as abas no sentido contrário ao dos ponteiros do relógio e liberte o filtro. (Figura 11)
- Instale o filtro de carbono novo.
- Instale os filtros de alumínio.



(Figura 11)

Os filtros antidodor contêm carvão (carvão ativo). Têm de ser mudados em períodos de aproximadamente seis meses.

Independentemente de ser ou não utilizado um filtro de carbono, os filtros de alumínio têm de ser sempre instalados.

Não funcione com o aparelho sem ter os filtros de alumínio instalados. A utilização com o filtro de carbono diminuirá o desempenho de sucção do aparelho.

## 5 Limpeza e manutenção

### 5.3 Limpeza

Especialmente não negligencie a limpeza do exaustor imediatamente após ter feito frituras.

Utilize um pano macio embebido em detergente líquido para limpar a superfície exterior do seu exaustor.

Nunca use abrasivos ou materiais de raspar para limpeza.

Pode usar os agentes de limpeza comercialmente disponíveis para gorduras persistentes, etc. seguindo os avisos no produto. Para não riscar o corpo metálico polido, limpe na mesma direção do traçado.

Não use agentes de limpeza que contenham ácido clorídrico, lixívia ou pós abrasivos, a fim de manter a qualidade da superfície do seu produto. Use um pano humedecido em água com sabão ou spray especial para limpeza de aço inoxidável para superfícies em inox. Remova o filme protetor do aparelho.



#### Atenção!

Pode causar um incêndio se não seguir as instruções relativas à limpeza e substituição dos filtros do seu exaustor.

Se precisar de transportar o aparelho:

- Mantenha a embalagem original do aparelho. Transporte o aparelho com a sua embalagem original e siga as marcações de transporte na embalagem original.

#### Se não tem a embalagem original:

- Não pouse objetos sobre a superfície.
- Proteja a superfície exterior contra impactos.
- Embale o aparelho de modo a que não seja danificado durante o transporte.

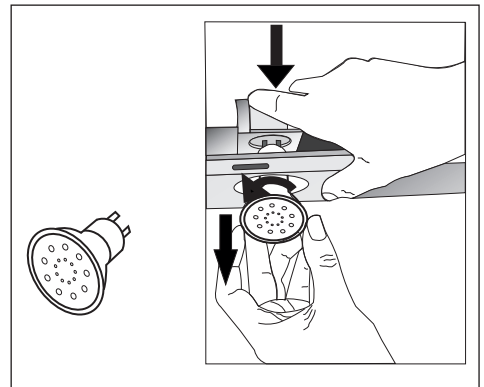
### 5.4 Substituição das lâmpadas

Desligue o exaustor da tomada.

Este aparelho está equipado com 3 W lâmpadas LED.

Para substituir as lâmpadas LED, pressione as lâmpadas para baixo na secção traseira do encaixe para as libertar. Em seguida, gire-as no sentido contrário ao dos ponteiros do relógio em 1/4 e retire-as.

Siga os passos acima por ordem inversa para pôr as lâmpadas novas.



Pode adquirir lâmpadas em Agentes de Serviço Autorizados.

