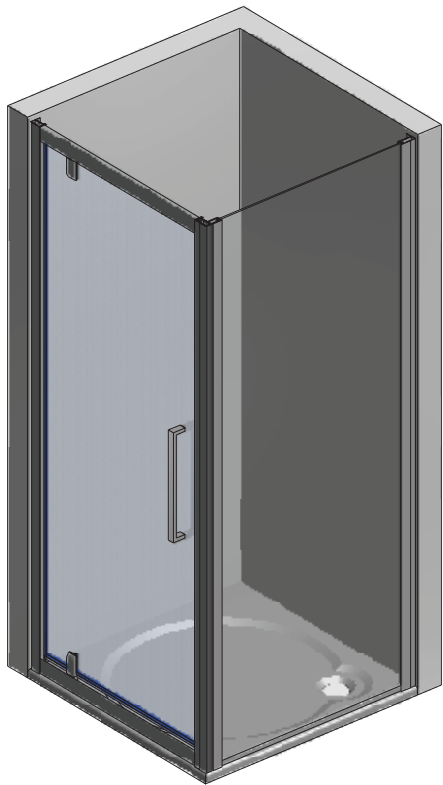
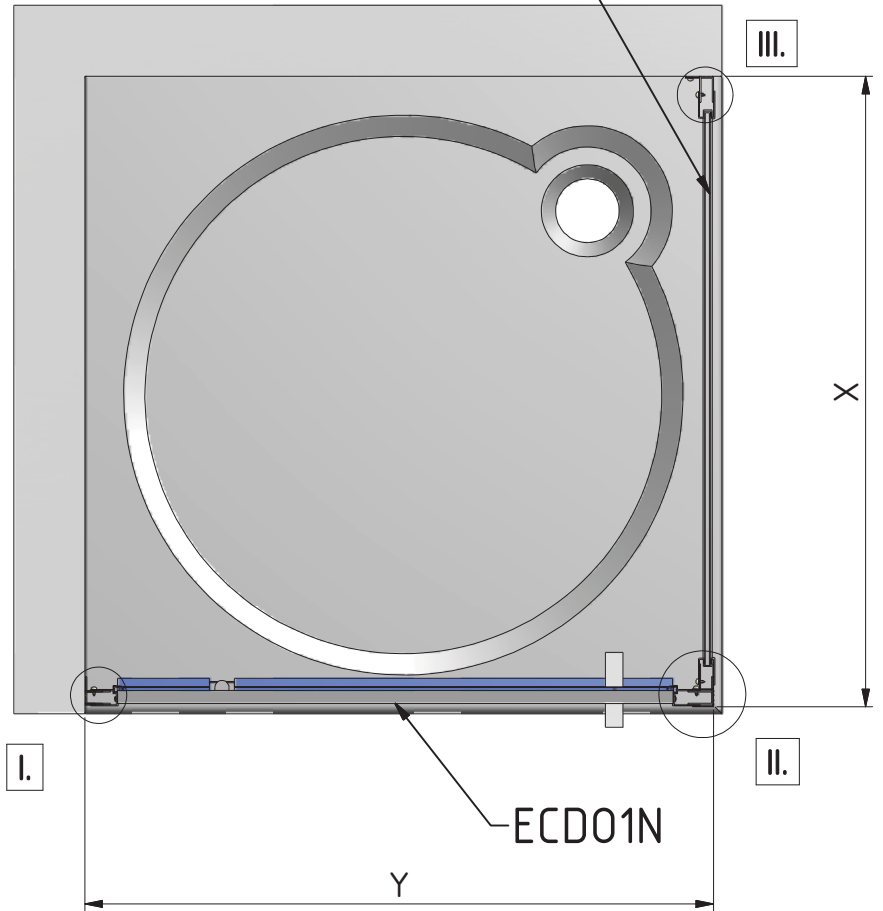


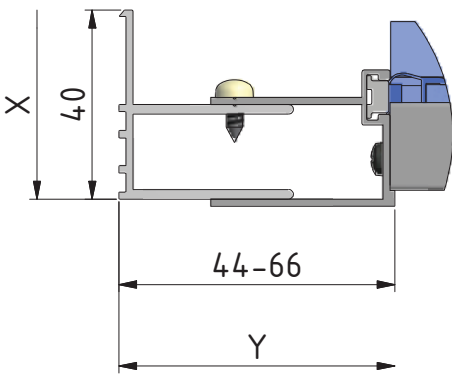
ECDO1N+ECDBN



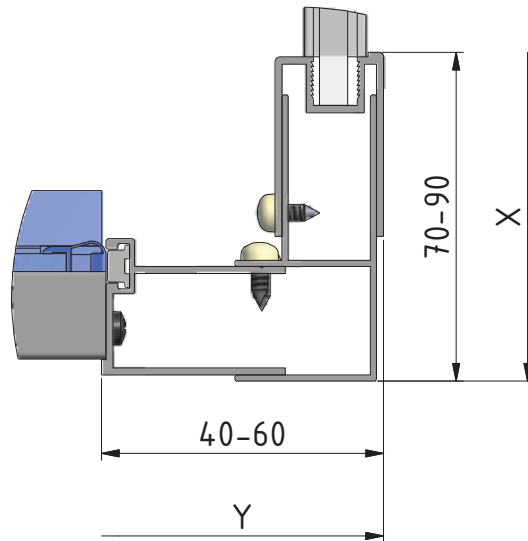
ECDBN



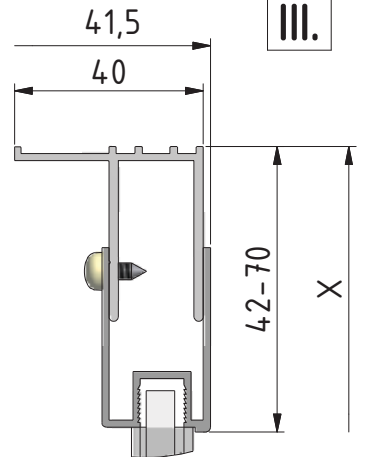
I.



II.



III.



	X (MIN-MAX)	Y (MIN-MAX)
800	765-800	775-815
900	865-900	875-915
1000	965-1000	975-1015
1100	---	1075-1115