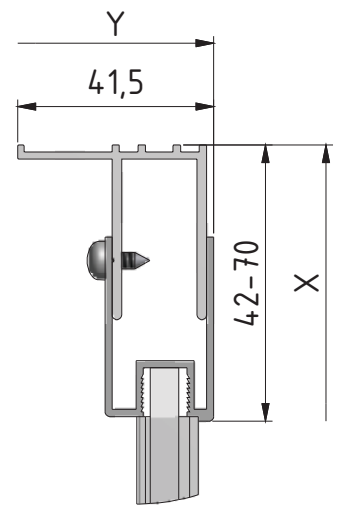
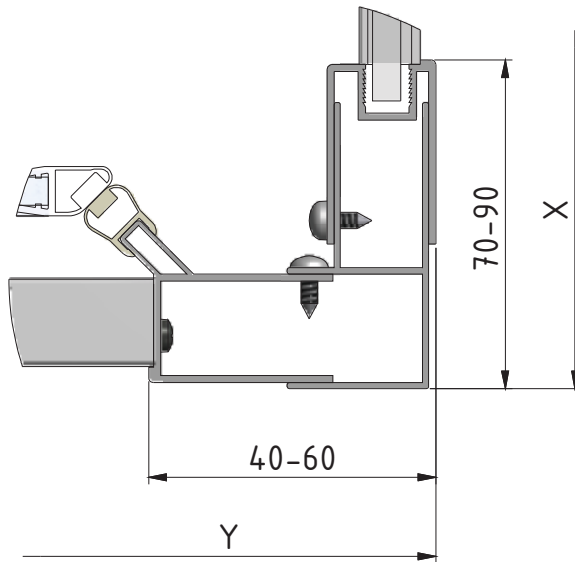
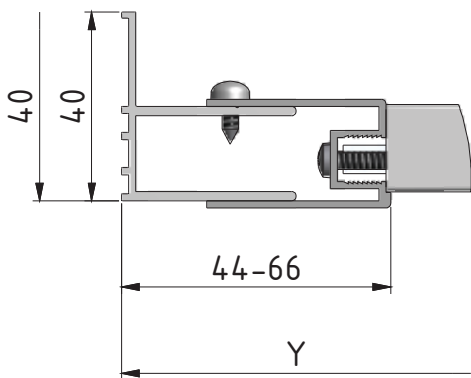
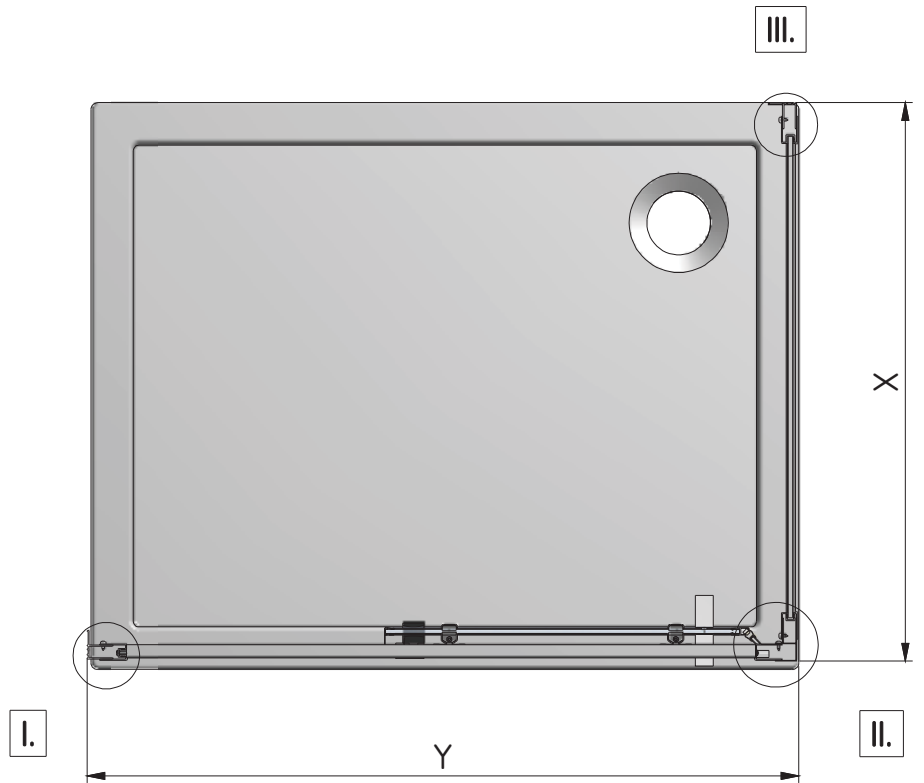
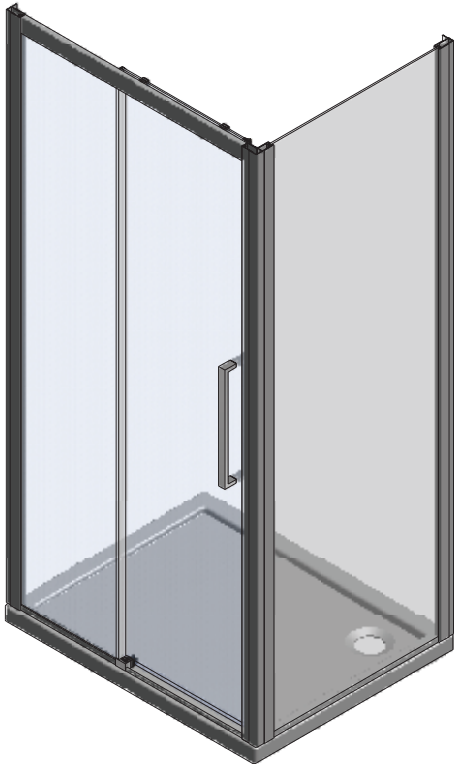


# ECD2L+ECDBN



	X (MIN-MAX)	Y (MIN-MAX)
800	765-800	---
900	865-900	---
1000	965-1000	---
1100	---	---
1200	---	1165-1215
1300	---	1265-1315
1400	---	1365-1415
1500	---	1465-1515