



Air Conditioning Technical Data

Wall mounted unit



EEEDEN15-100

FTXB-C

TABLE OF CONTENTS

FTXB-C

1	Features	2
2	Specifications	3
	Technical Specifications	3
	Electrical Specifications	4
3	Dimensional drawings	5
4	Centre of gravity	7
5	Piping diagrams	8
6	Wiring diagrams	10
	Wiring Diagrams - Single Phase	10
7	Sound data	11
	Sound Pressure Spectrum	11





1 Features

Wall mounted unit for low energy consumption and pleasant comfort

- Flat, stylish front panel blends easily within any interior décor and is more easy to clean
- The infrared remote control is user friendly and equipped with a timer function that enables you to programme the unit to start or stop at your desired time.
- Vertical auto swing moves the discharge flaps up and down for efficient air and temperature distribution throughout the room
- 24 hour timer can be set to start heating or cooling anytime during a 24 hour period

1



								
Econo mode	Energy saving during standby mode	Night set mode	Fan only	Comfort mode	Powerful mode	Auto cooling-heating changeover	Indoor unit silent operation	Comfortable sleeping mode
								
Vertical auto swing	Auto fan speed	Fan speed steps	Dry programme	Air filter	24 hour timer	Infrared remote control	Auto-restart	Self diagnosis

2 Specifications

2-1 Technical Specifications				FTXB20C	FTXB25C	FTXB35C	FTXB50C	FTXB60C	
Power input	Heating	Nom.	kW	0.030			-		
Power input - 50Hz	Cooling	Nom.	kW	0.040			-		
Casing	Colour			White					
Dimensions	Unit	Height/Width/Depth	mm	283/770/216			310/1,065/224		
	Packed unit	Height/Width/Depth	mm	314/855/361			386/1,136/314		
Weight	Unit		kg	8			14		
	Packed unit		kg	10			-		
Packing	Weight		kg	2			-		
Heat exchanger	Length		mm	610		647	-		
	Rows	Quantity		2					
	Fin pitch		mm	1.4			-		
	Face area		m ²	-			0.29		
	Stages	Quantity		14			-		
	Tube type		ø7 HI-XA						
	Tube material		-						
	Tube diameter		mm	-			Seamless Inner Grooved Copper		
	Fin		Type	ML fin (Multi louver)			Aluminium (hydrophilic fin)		
Air filter	Type			Removable / washable / mildew proof			Saranet		
	Quantity		pc	-			2		
Fan	Type			Cross flow fan					
	Air flow rate	Cooling	Super high	m ³ /min	-			16.38	19.92
				cfm	-			578	703
			High	m ³ /min	9.1	9.2	9.3	15.00	18.5
				cfm	321	325	328	529	654
			Nom.	m ³ /min	7.4	7.6	7.7	13.32	16.56
				cfm	261	268	272	471	585
			Low	m ³ /min	5.9	6.0	6.1	11.82	14.34
		cfm		208	212	215	418	507	
		Silent operation	m ³ /min	4.7	4.8	4.9	10.62	12.36	
			cfm	166	169	173	374	437	
		Heating	Super high	m ³ /min	-			16.38	19.92
				cfm	-			578	703
			High	m ³ /min	9.4	9.7	10.1	15.00	18.54
				cfm	331	342	356	529	654
Nom.	m ³ /min		7.8	8.0	8.4	13.32	16.56		
	cfm		276	283	295	471	585		
Low	m ³ /min		6.3		6.7	11.82	14.3		
	cfm	222		235	418	507			
Silent operation	m ³ /min	5.5		5.7	10.62	12.36			
	cfm	194		201	374	437			

2 Specifications

2

2-1 Technical Specifications				FTXB20C	FTXB25C	FTXB35C	FTXB50C	FTXB60C	
Fan motor	Model			MM6C02J2VA			Brushless		
	Index of Protection			-			20		
	Insulation grade			-			Class "E"		
	Poles			-			8		
	Drive			-			Direct drive		
	Speed	Steps			5 + silent, + auto			-	
		Cooling	High/ Medium/Low/Silent operation	rpm	1,210/990/780/630	1,250/1,030/820/630	1,300/1,070/850/680	-/-/-	
		Heating	High/ Medium/Low/Silent operation	rpm	1,260/1,090/920/820	1,300/1,110/920/820	1,340/1,150/960/850	-/-/-	
Output	Rated	W	16			40			
Full load amps (FLA)	Cooling	A	-			0.32	0.56		
	Heating	A	-			0.32	0.56		
Sound power level	Cooling		dBA	55		58	55	61	
	Heating		dBA	55		58	-		
Sound pressure level	Cooling	Super high/High/Nom./Low/Silent operation	dBA	-/39/33/25/21	-/40/33/26/21	-/41/34/27/23	44/40/38/35/32	46/43/41/37/33	
	Heating	Super high/High/Nom./Low/Silent operation	dBA	-/39/34/28/25	-/40/34/28/25	-/41/35/29/26	44/40/38/35/32	46/43/41/37/33	
Control systems	Infrared remote control			ARC470A1			-		
Piping connections	Liquid	OD	6.35			-			
	Gas	OD	9.5			-			
	Drain		18			19.05			
	Heat insulation	Both liquid and gas pipes			-				
Temperature control	Microcomputer control			-					
Air direction control	Right, Left, Horizontal, Downward			Auto louver (up & down) & grille (left & right)					
Control	Operation			-			LCD Remote control		

Standard Accessories : Installation manual; Quantity : 1;

Standard Accessories : Operation manual; Quantity : 1;

Standard Accessories : Infrared remote control; Quantity : 1;

Standard Accessories : AA dry-cell batteries; Quantity : 2;

Standard Accessories : Remote control holder; Quantity : 1;

Standard Accessories : Mounting plate; Quantity : 1;

Standard Accessories : Titanium apatite photocatalytic air purification filter; Quantity : 2;

Standard Accessories : Indoor unit fixing screws; Quantity : 2;

2-2 Electrical Specifications				FTXB20C	FTXB25C	FTXB35C	FTXB50C	FTXB60C
Power supply	Name			V1				
	Phase			1~				
	Frequency	Hz		50				
	Voltage	V		220-240				
Current	Nominal running current (RLA) - 50Hz	Cooling	A	0.14			-	
		Heating	A	0.18			-	

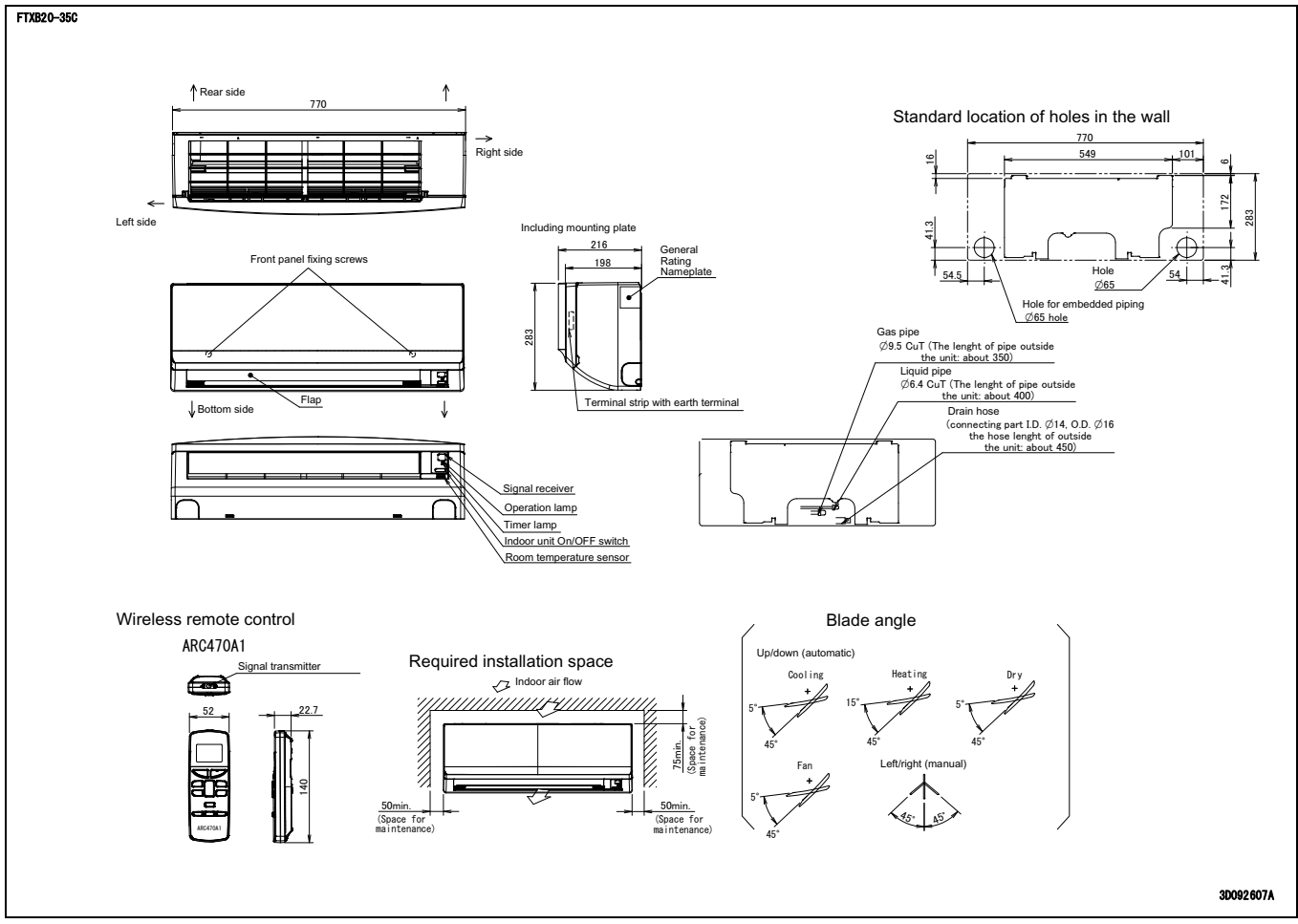
Notes

SL: The silent fan level of the air flow rate setting

All units are being tested and comply to ISO 5151 (non-conducted unit) or ISO 1325 (ducted unit).

3 Dimensional drawings

3 - 1 Dimensional Drawings



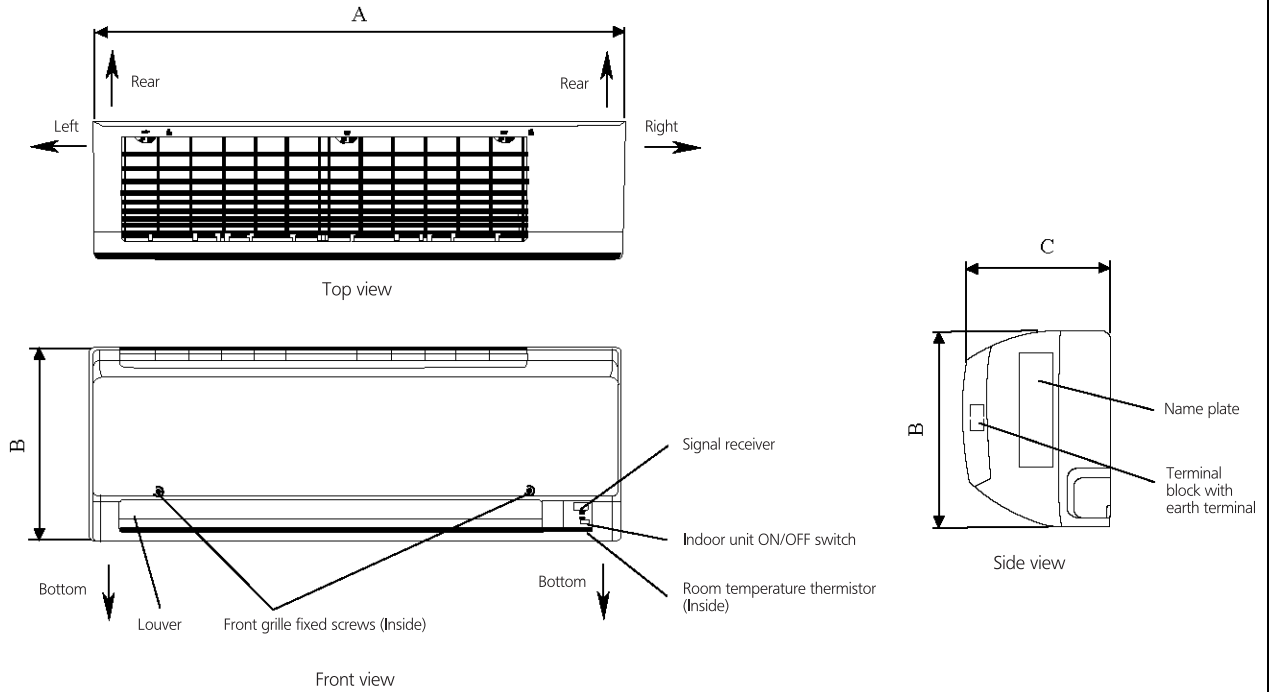
3 Dimensional drawings

3 - 1 Dimensional Drawings

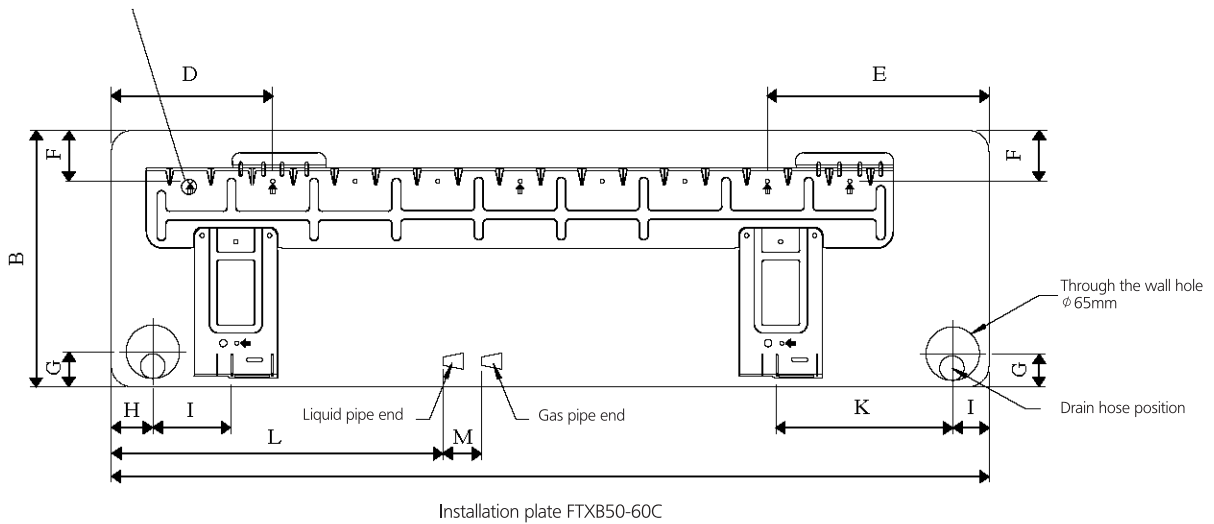
FTXB50-60C

All dimensions are in mm

The mark (→) shows piping direction



↑ Recommended mounting plate retention spots (7 spots in all)



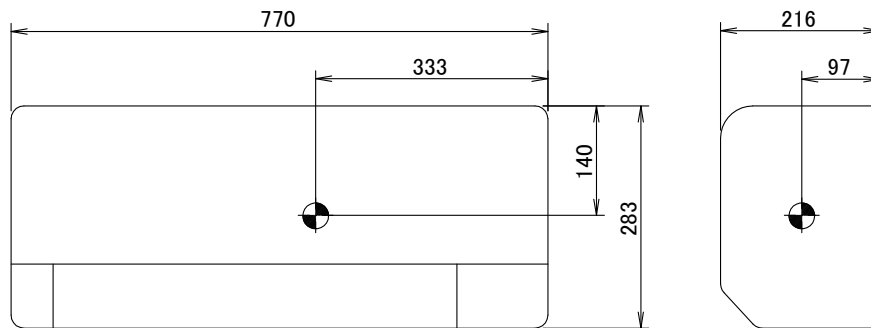
Model	Dimension	A	B	C	D	E	F	G	H	I	J	K	L	M
FTXB50-60C		1065	310	228	190	173	61	40	45	48	91	219	580	45

Dimension_FTXB-CV1B_2015-01-26

4 Centre of gravity

4 - 1 Centre of Gravity

FTXB20-35C



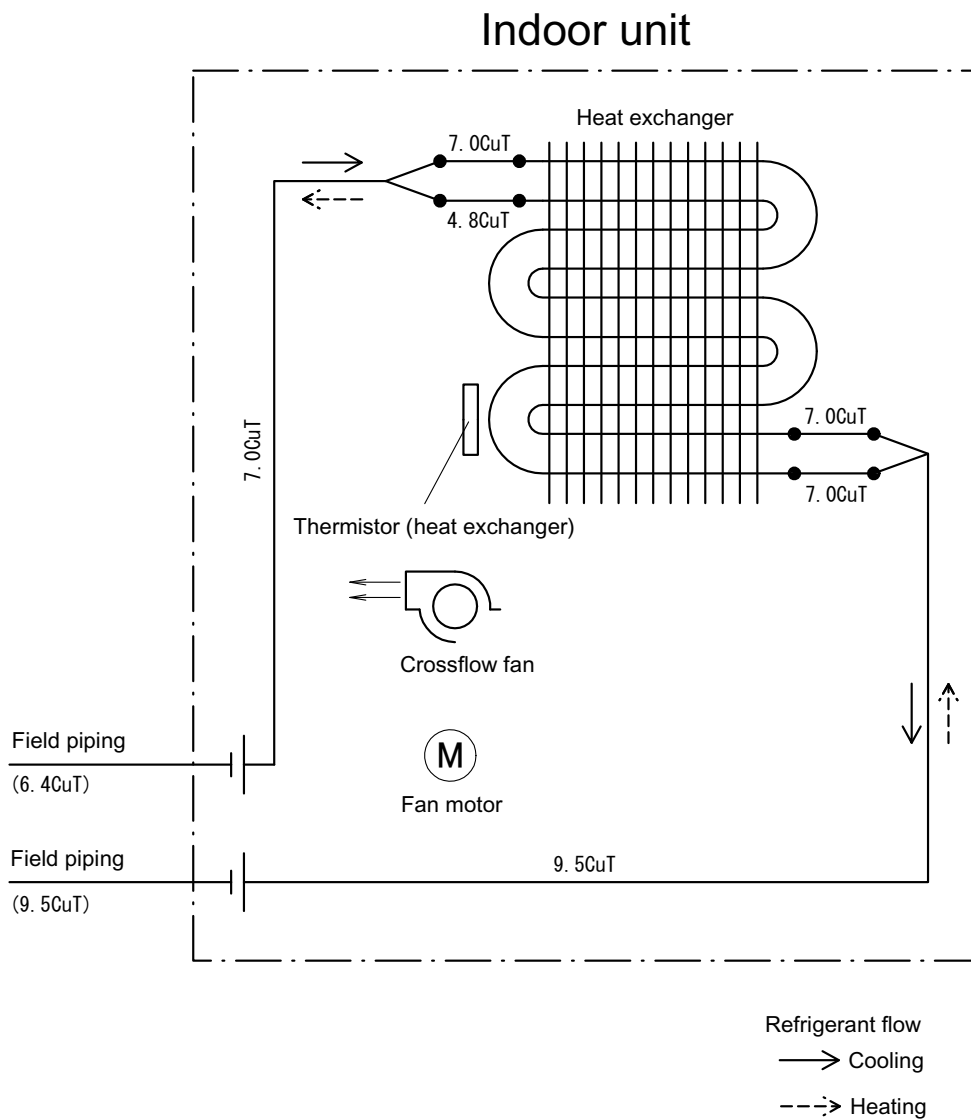
4D092608A

5 Piping diagrams

5 - 1 Piping Diagrams

5

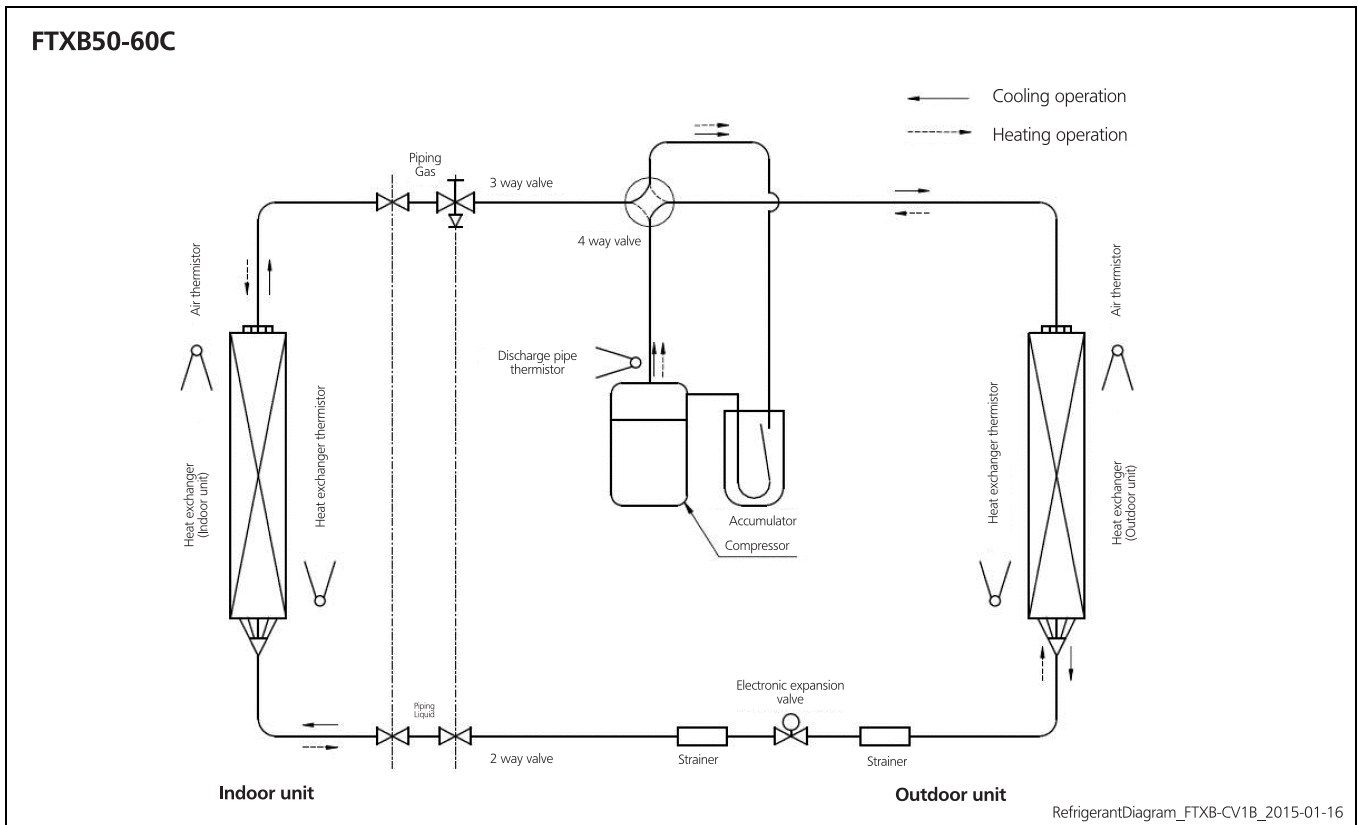
FTXB20-35C



4D089713A

5 Piping diagrams

5 - 1 Piping Diagrams

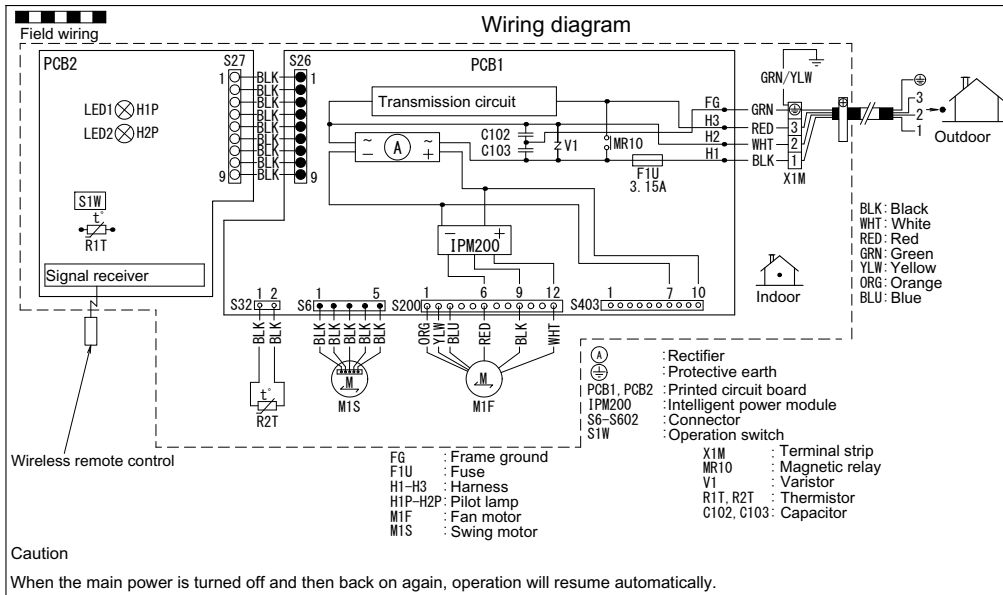


6 Wiring diagrams

6 - 1 Wiring Diagrams - Single Phase

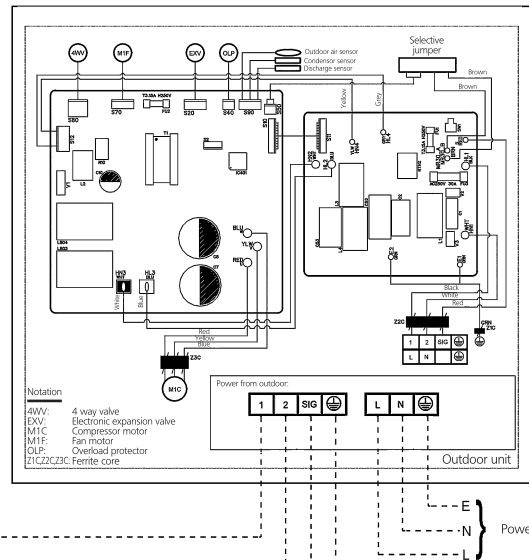
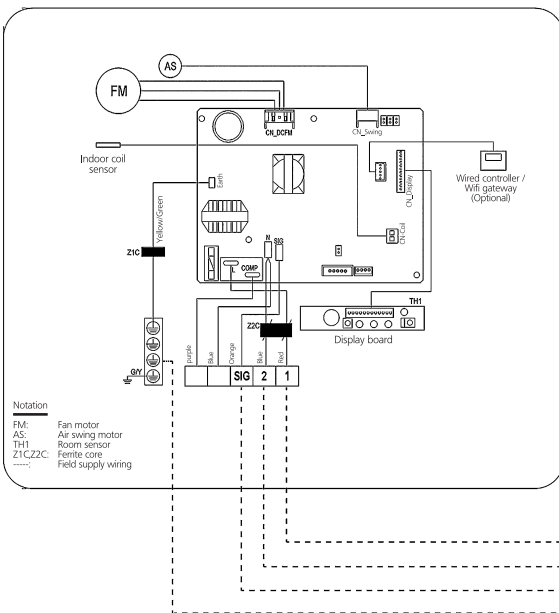
6

FTXB20-35C



30082522

FTXB50-60C

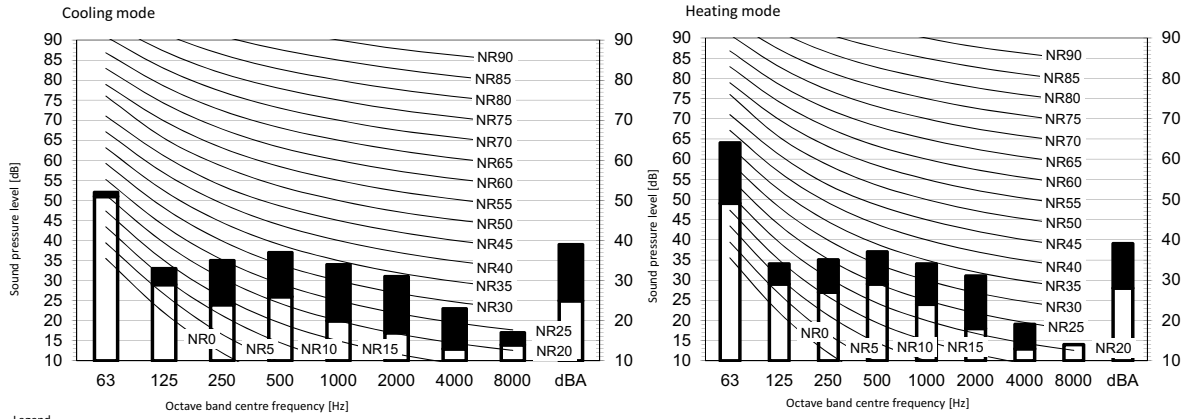


WiringDiagram_FTXB5060CV1B_2015-01-26

7 Sound data

7 - 1 Sound Pressure Spectrum

FTXB20C



Legend

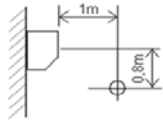
dBA = A-weighted sound pressure level (A scale according to IEC).

A Scale

B High-tap

C Low-tap

Location of microphone



Cooling Total dB		
A	B	C
dBA	39	25

Heating Total dB		
A	B	B
dBA	39	28

Notes

1. Operating conditions: power source 220-240 V/220 V 50/60 Hz; JIS standard
2. Background noise already taken into account.
3. Operating noise varies depending on operation and ambient conditions.
4. The operation noise measuring method is in accordance with JISC9612.
5. Measuring location: anechoic chamber

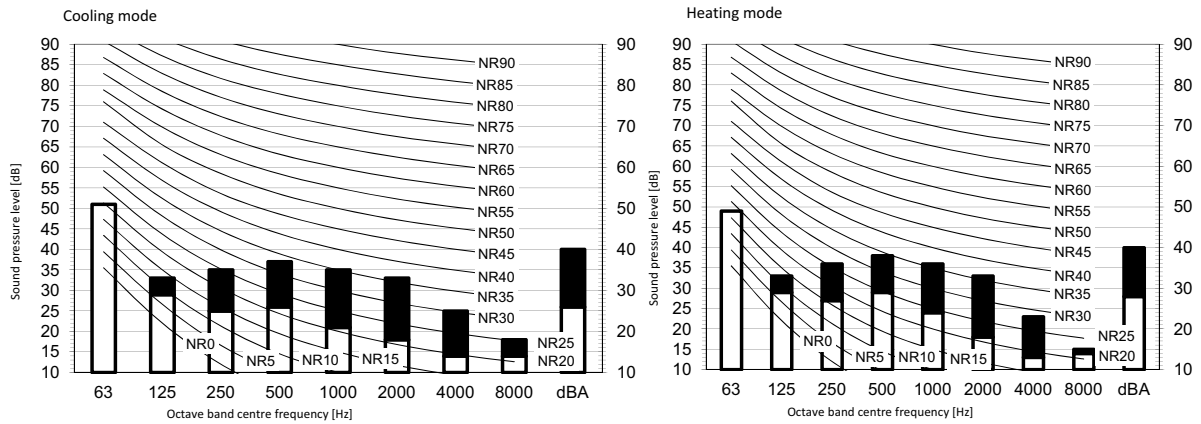
3D094124

7 Sound data

7 - 1 Sound Pressure Spectrum

7

FTXB25C

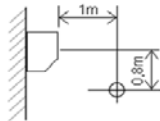


Legend

dBA = A-weighted sound pressure level (A scale according to IEC).

- A Scale
- B High-tap
- C Low-tap

Location of microphone



Cooling Total dB		
A	B	C
dBA	40	26

Heating Total dB		
A	B	B
dBA	40	28

Notes

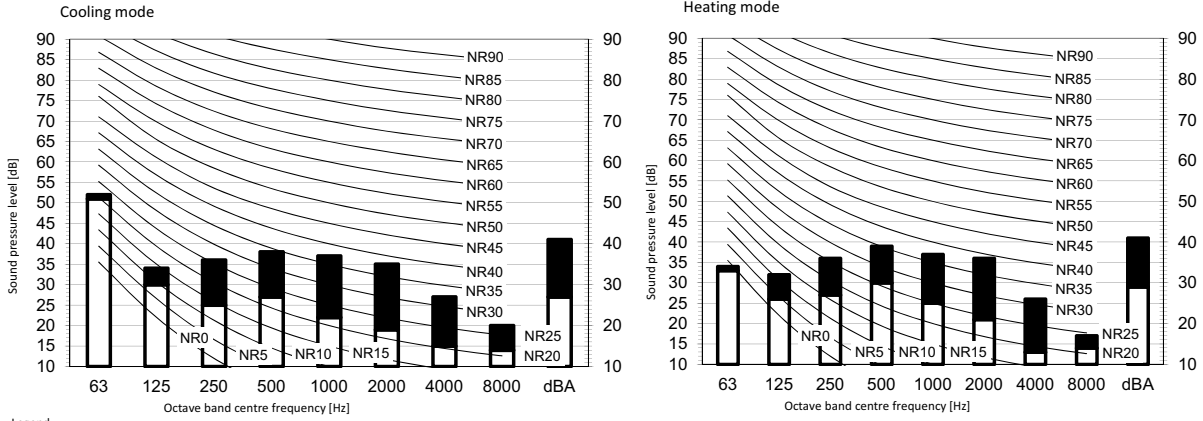
1. Operating conditions: power source 220-240 V/220 V 50/60 Hz; JIS standard
2. Background noise already taken into account.
3. Operating noise varies depending on operation and ambient conditions.
4. The operation noise measuring method is in accordance with JISC9612.
5. Measuring location: anechoic chamber

3D094125

7 Sound data

7 - 1 Sound Pressure Spectrum

FTXB35C



Legend

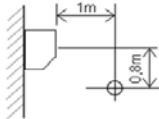
dBA = A-weighted sound pressure level (A scale according to IEC).

A Scale

B High-tap

C Low-tap

Location of microphone



Cooling Total dB		
A	B	C
dBA	41	27

Heating Total dB		
A	B	B
dBA	41	29

Notes

1. Operating conditions: power source 220-240 V/220 V 50/60 Hz; JIS standard
2. Background noise already taken into account.
3. Operating noise varies depending on operation and ambient conditions.
4. The operation noise measuring method is in accordance with JISC9612.
5. Measuring location: anechoic chamber

3D094126

7 Sound data

7 - 1 Sound Pressure Spectrum

7

FTXB50-60C

Model	Speed	1/1 Octave A-Weighted Sound Pressure Level (dBA), ref. 20μPa							Overall (dBA)	Noise Criteria
		125Hz	250Hz	500Hz	1kHz	2kHz	4kHz	8kHz		
FTXB50C	Turbo	39	41	40	40	37	29	16	44	39
	High	35	37	37	36	32	25	12	40	35
	Medium	34	36	36	34	29	22	11	38	33
	Low	30	34	33	31	26	18	10	35	30
	Quiet	28	32	30	28	22	14	10	32	26
FTXB60C	Turbo	42	44	43	42	40	35	20	46	41
	High	39	41	40	38	36	31	16	43	37
	Medium	37	39	38	37	33	28	13	41	36
	Low	33	36	35	33	28	22	11	37	32
	Quiet	28	33	32	28	23	17	9	33	26

SoundPressure_FTXB-CV1B_2015-01-16



Daikin Europe N.V. participates in the Eurovent Certification programme for Liquid Chilling Packages (LCP), Air handling units (AHU), Fan coil units (FCU) and variable refrigerant flow systems (VRF) Check ongoing validity of certificate online: www.eurovent-certification.com or using: www.certiflash.com

The present leaflet is drawn up by way of information only and does not constitute an offer binding upon Daikin Europe N.V.. Daikin Europe N.V. has compiled the content of this leaflet to the best of its knowledge. No express or implied warranty is given for the completeness, accuracy, reliability or fitness for particular purpose of its content and the products and services presented therein. Specifications are subject to change without prior notice. Daikin Europe N.V. explicitly rejects any liability for any direct or indirect damage, in the broadest sense, arising from or related to the use and/or interpretation of this leaflet. All content is copyrighted by Daikin Europe N.V.

BARCODE

Daikin products are distributed by: