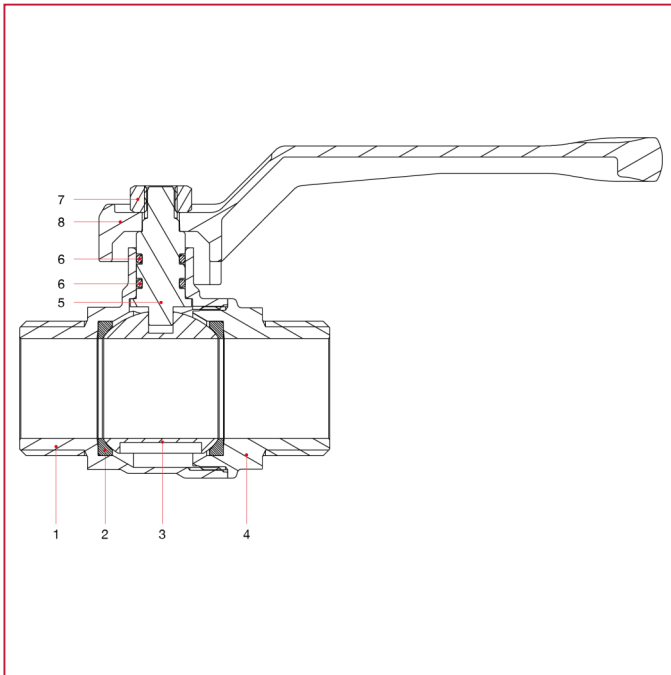




099 Полнопроходной шаровый кран, HP-HP

MATERIALS art.099

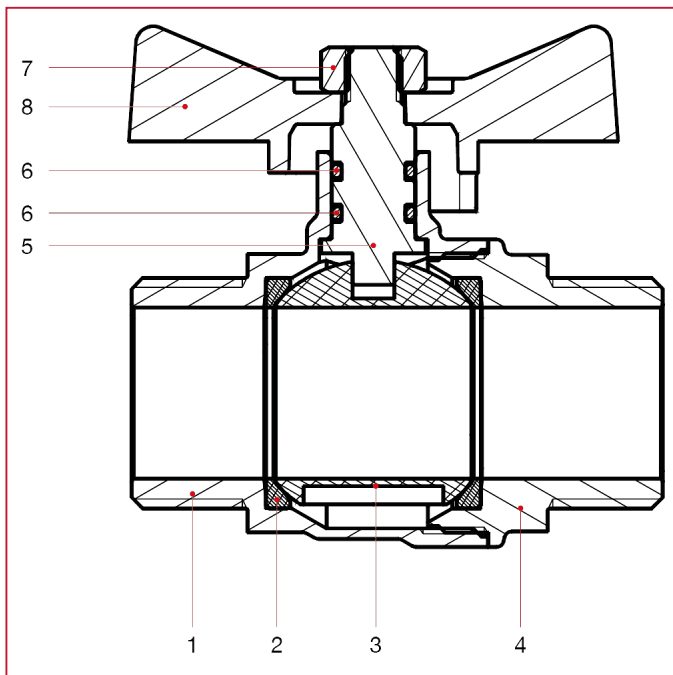


POS.	DESCRIPTION	N.	MATERIAL
1	Body	1	Nickel-plated brass CW617N
2	Seat	2	P.T.F.E.
3	Ball	1	Chrome-plated brass CW617N
4	Male end adapter	1	Nickel-plated brass CW617N
5	Stem	1	Brass CW617N
6	O-ring	2	NBR
7	Nut	1	Zinc-plated iron
8	Lever handle	1	Varnished aluminium



ШАРОВЫЕ КРАНЫ

MATERIALS art.099F



POS.	DESCRIPTION	N.	MATERIAL
1	Body	1	Nickel-plated brass CW617N
2	Seat	2	P.T.F.E.
3	Ball	1	Chrome-plated brass CW617N
4	Male end adapter	1	Nickel-plated brass CW617N
5	Stem	1	Brass CW617N
6	O-ring	2	NBR
7	Nut	1	Zinc-plated iron
8	T handle	1	Varnished aluminium