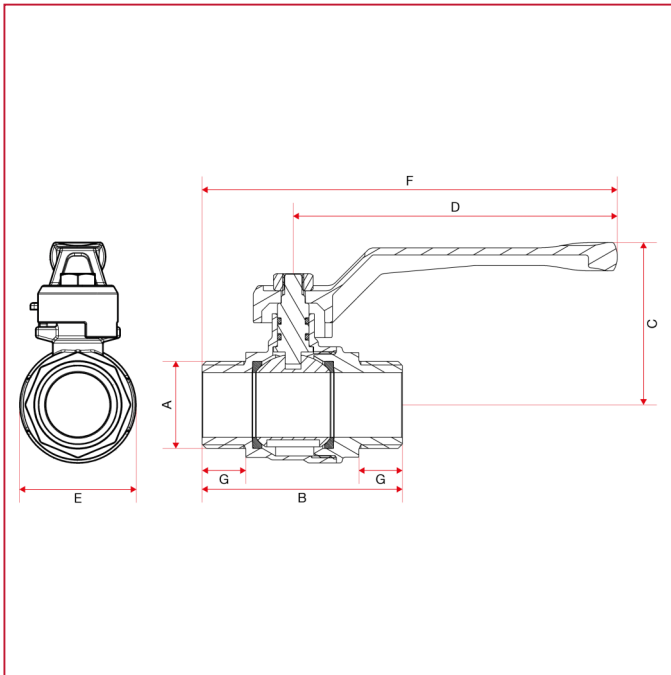




099 Полнопроходной шаровый кран, HP-HP

OVERALL DIMENSIONS art.099

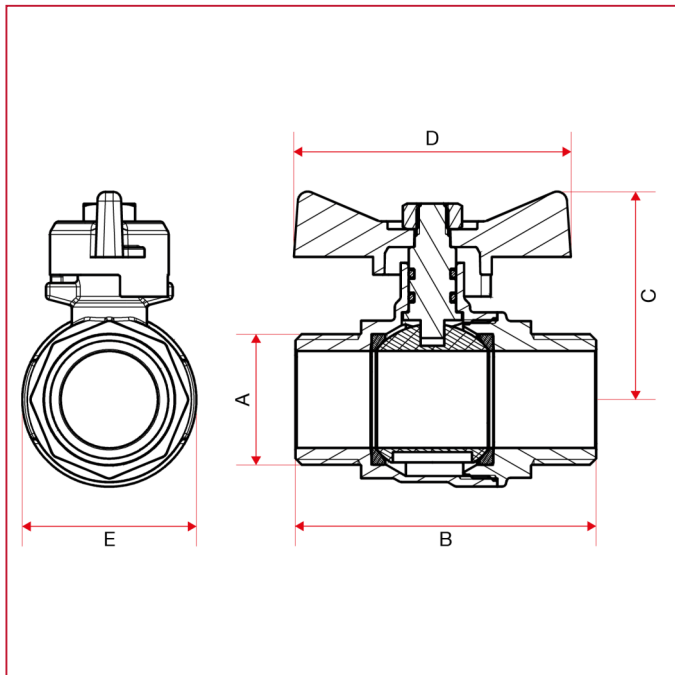


| | 1/2" | 3/4" | 1" | 1"1/4 | 1"1/2 | 2" |
|------------|------|------|------|-------|-------|-----|
| DN | 15 | 20 | 25 | 32 | 40 | 50 |
| A | 1/2" | 3/4" | 1" | 1"1/4 | 1"1/2 | 2" |
| B | 62 | 65 | 76 | 87 | 103 | 113 |
| C | 45 | 48 | 62 | 66 | 83 | 91 |
| D | 95 | 95 | 123 | 123 | 150 | 150 |
| E | 29,5 | 37 | 44 | 56 | 68 | 87 |
| F | 121 | 124 | 157 | 163 | 197 | 205 |
| G | 11,5 | 13 | 16,5 | 16 | 18 | 20 |
| Kg/cm2 bar | 40 | 40 | 40 | 30 | 30 | 30 |
| LBS - psi | 580 | 580 | 580 | 435 | 435 | 435 |



ШАРОВЫЕ КРАНЫ

OVERALL DIMENSIONS art.099F



099F

| | 1/2" | 3/4" | 1" |
|------------------------|------|------|-----|
| DN | 15 | 20 | 25 |
| A | 1/2" | 3/4" | 1" |
| B | 62 | 65 | 76 |
| C | 40 | 43 | 52 |
| D | 54 | 54 | 70 |
| E | 29,5 | 37 | 44 |
| Kg/cm ² bar | 40 | 40 | 40 |
| LBS - psi | 580 | 580 | 580 |