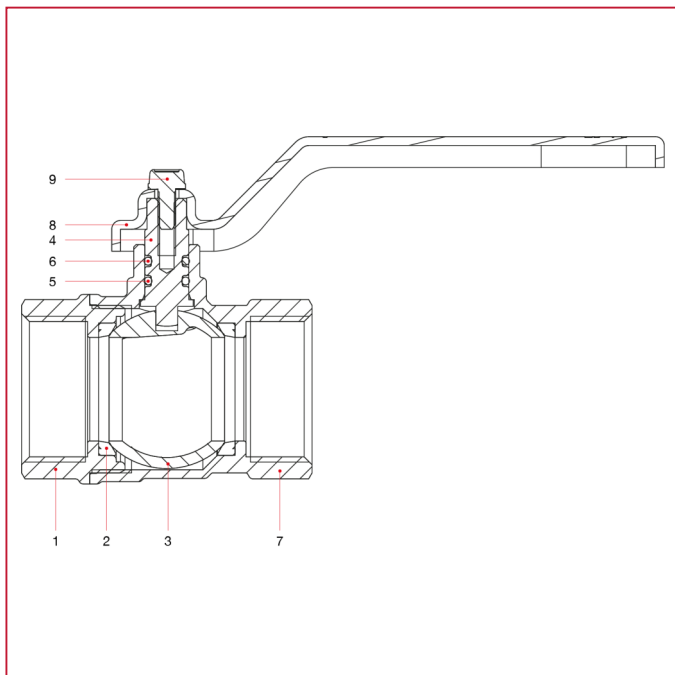




ШАРОВЫЕ КРАНЫ СО СТАНДАРТНЫМ ПРОХОДОМ: VIENNA

116 VIENNA кран шаровый, стандартный проход

MATERIALS sizes 1/4" through 2"

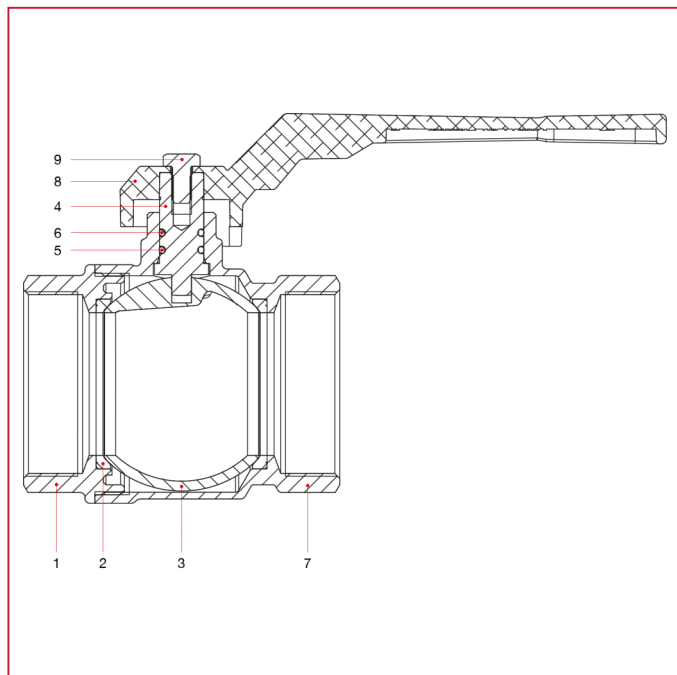


N.	ОПИСАНИЕ	КО Л.	МАТЕРИАЛ
1	Female end adapter	1	Nickel-plated brass CW617N
2	Seat	2	P.T.F.E.
3	Ball	1	Chrome-plated brass CW617N
4	Stem	1	Brass CW614N
5	O-ring	1	NBR
6	O-ring	1	Viton®
7	Body	1	Nickel-plated brass CW617N
8	Lever handle	1	Varnished steel P04
9	Screw	1	Zinc-plated steel C4C



ШАРОВЫЕ КРАНЫ СО СТАНДАРТНЫМ ПРОХОДОМ: VIENNA

MATERIALS sizes 2"1/2 through 4"



N.	ОПИСАНИЕ	КО Л.	МАТЕРИАЛ
1	Female end adapter	1	Nickel-plated brass CW617N
2	Seat	2	P.T.F.E.
3	Ball	1	Chrome-plated brass CW617N
4	Stem	1	Brass CW614N
5	O-ring	1	NBR
6	O-ring	1	Viton®
7	Body	1	Nickel-plated brass CW617N
8	Lever handle	1	Varnished aluminium
9	Screw	1	Zinc-plated CB4 FF (C34)