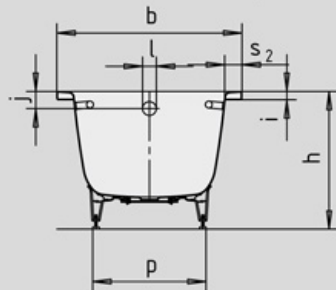
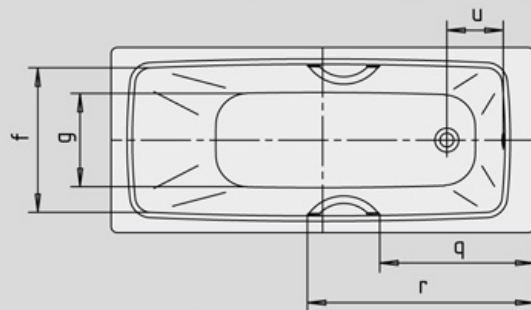
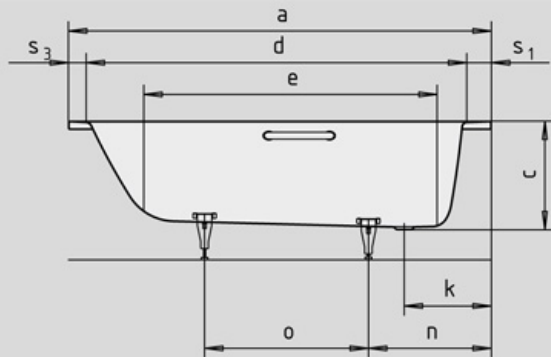


Model No.		747/753
External length	a	1500
External width	b	700
Depth	c	410
Internal length (top)	d	1310
Internal length (bottom)	e	1010
Internal width (top)	f	570
Internal width (bottom)	g	400
Height with feet	h	535-555
Height of rim	i	32
Distance top edge to centre of overflow hole	j	65
Distance bath edge to centre of drain hole	k	330
Diameter of overflow hole	l	52
Diameter of drain hole	m	52
Distance foot end of bath edge to centre of foot	n	450
Distance between the feet	o	560
Max. width of feet	p	435
Distance bath edge (foot end) to where grip/handle starts	q	534,5
Distance bath edge (foot end) to where grip/handle ends	r	808,5
Width of rim (foot end; lengthwise)	s ₁ ; s ₂ ; s ₃	110; 63; 80
Distance between centre holes	u	213
Water volume** in litres		89
Weight of the enamelled bath in kg		42
Anti-slip		455 x 315
Full anti-slip		655 x 315



Position pool grip/handle*

