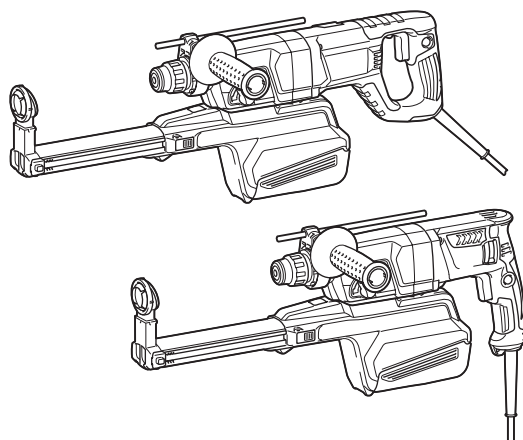
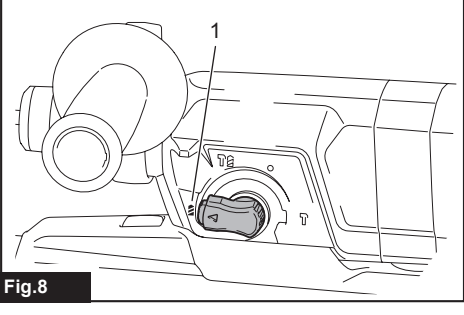
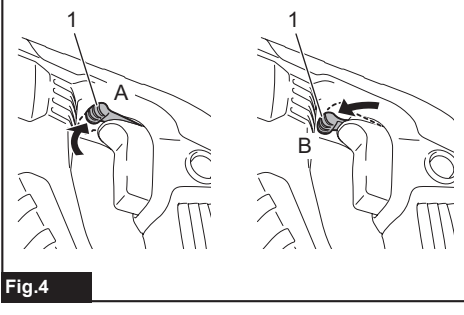
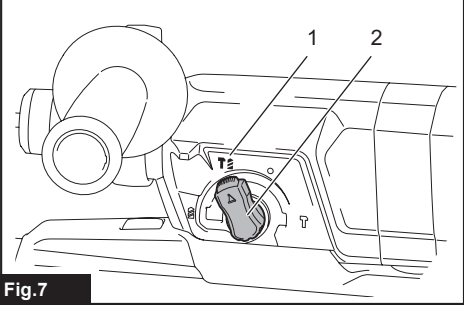
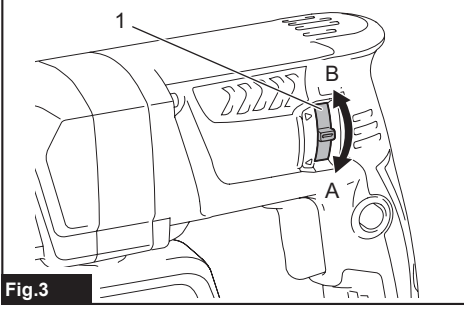
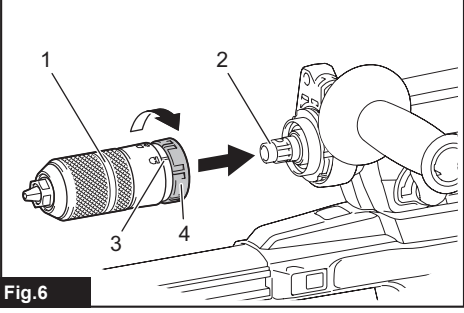
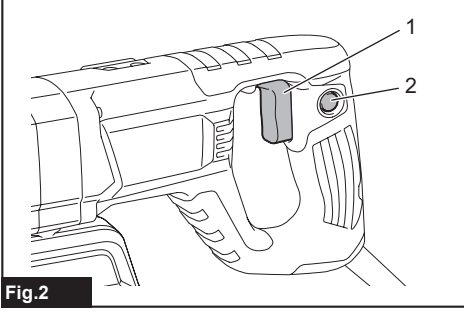
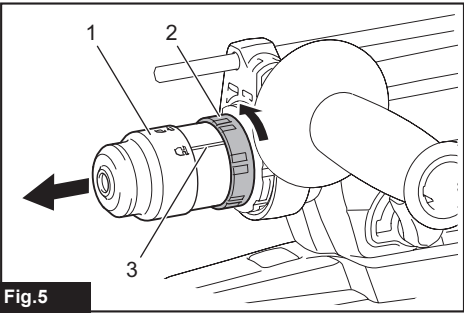
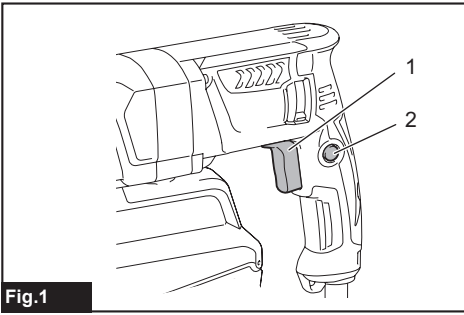




EN	Combination Hammer with Self Dust Collection	INSTRUCTION MANUAL	7
SV	Kombinationshammare med dammuppsamling	BRUKSANVISNING	14
NO	Kombihammer med støvsamler	BRUKSANVISNING	21
FI	Iskuperakoneyhdistelmä omalla pölynkerääjällä	KÄYTTÖOHJE	28
LV	Kombinētais veseris ar putekļu savācēju	LIETOŠANAS INSTRUKCIJA	35
LT	Kombinacinis plaktukas su savaiminio dulkių surinkimo funkcija	NAUDOJIMO INSTRUKCIJA	42
ET	Tolmukogujaga kombineeritud haamer	KASUTUSJUHEND	49
RU	Перфоратор С Системой Пылеудаления	РУКОВОДСТВО ПО ЭКСПЛУАТАЦИИ	56

HR2650
HR2651
HR2651T
HR2661





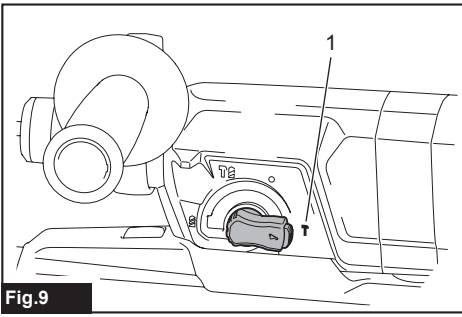


Fig.9

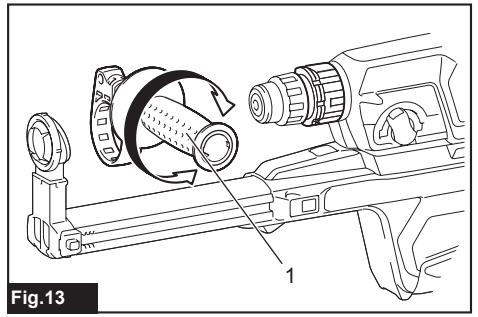


Fig.13

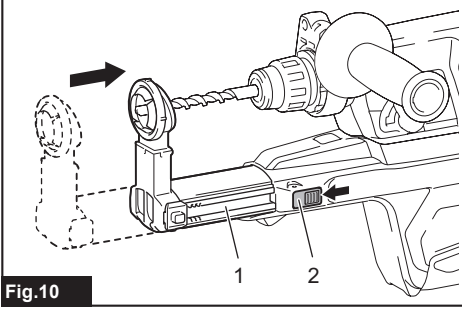


Fig.10

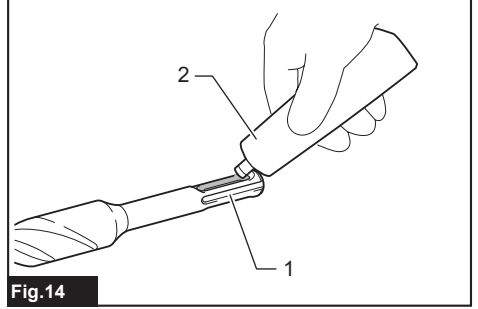


Fig.14

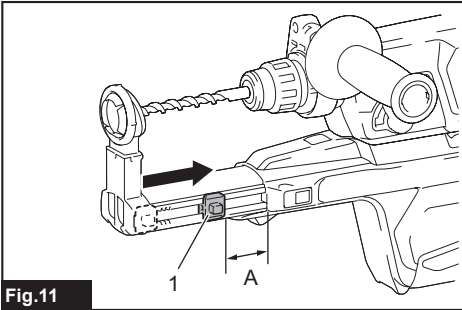


Fig.11

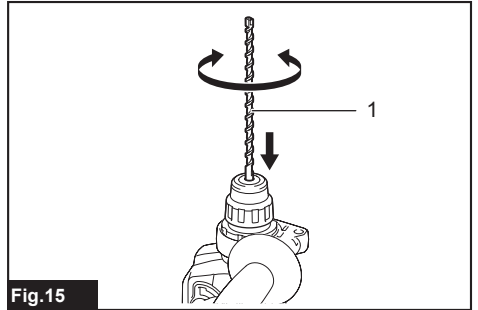


Fig.15

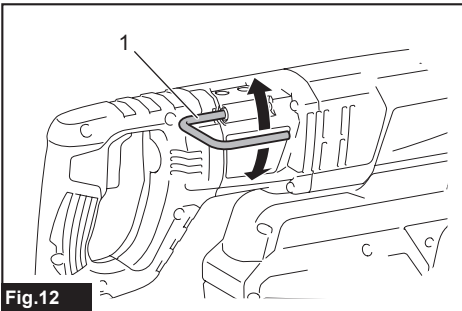


Fig.12

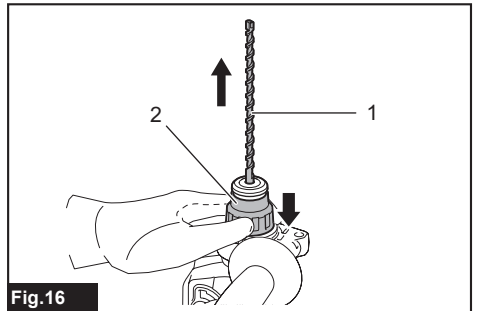


Fig.16

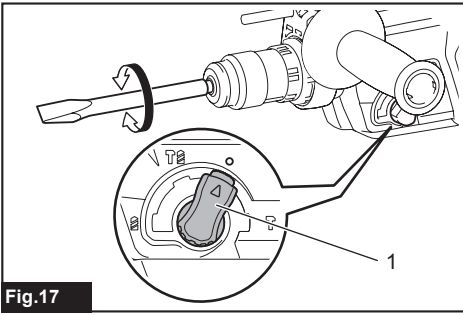


Fig.17

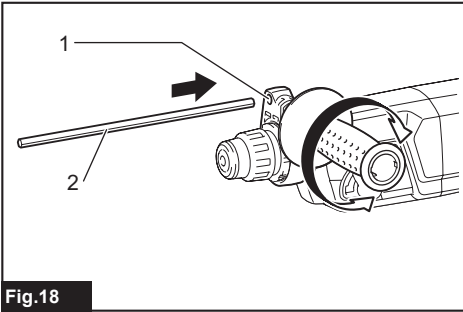


Fig.18

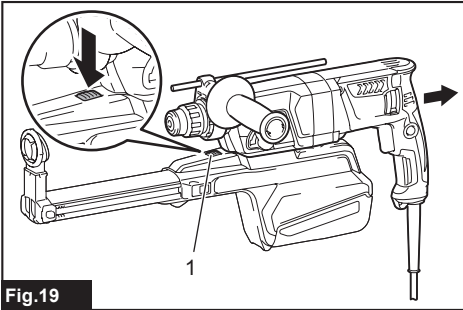


Fig.19

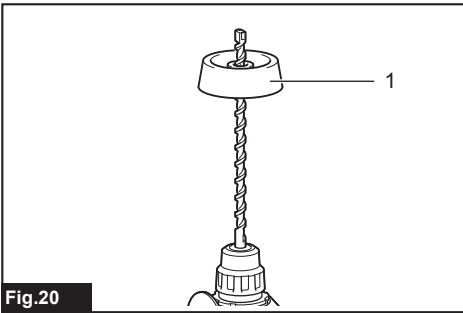


Fig.20

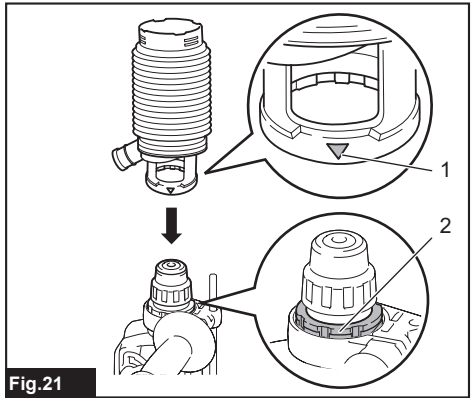


Fig.21

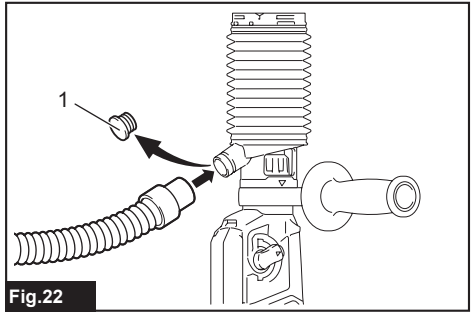


Fig.22

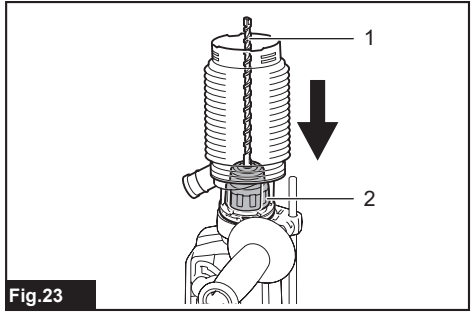


Fig.23

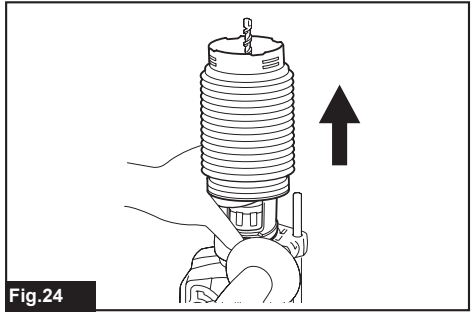


Fig.24

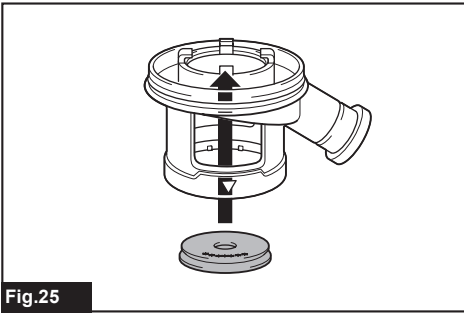


Fig.25

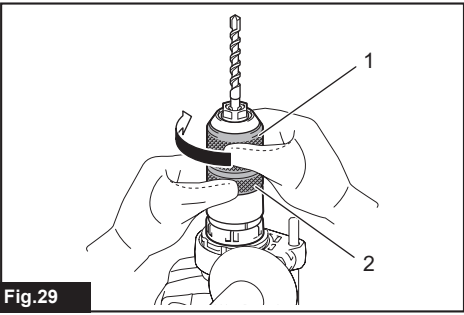


Fig.29

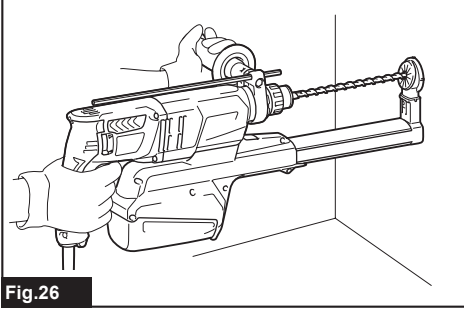


Fig.26

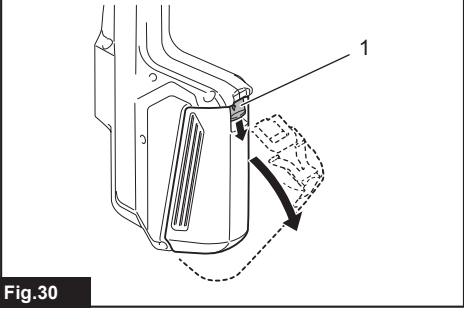


Fig.30

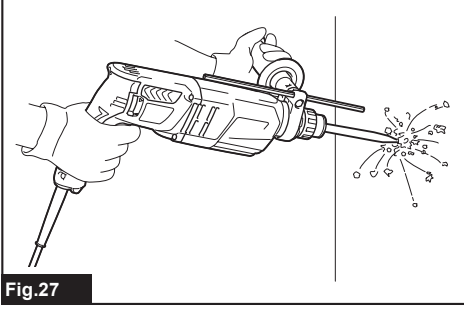


Fig.27

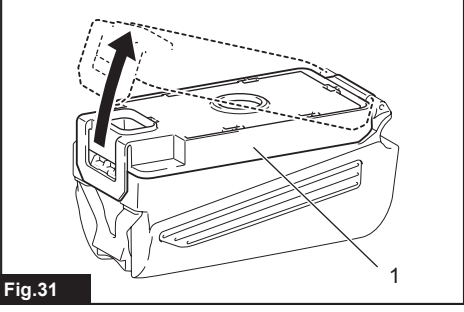


Fig.31

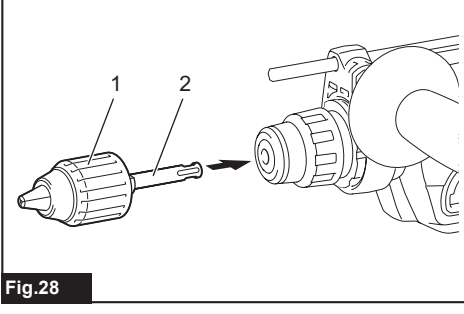


Fig.28

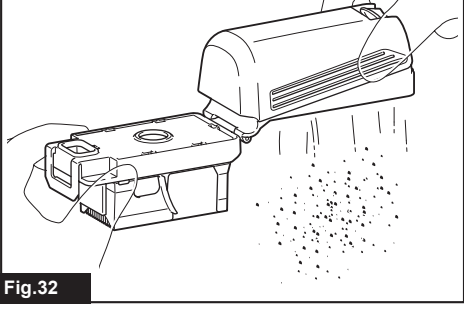
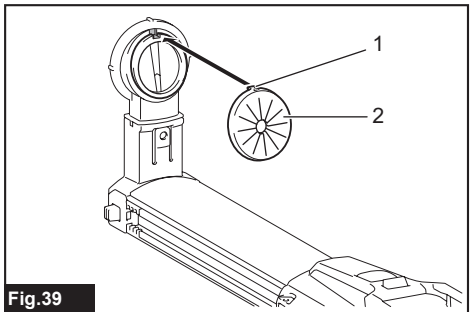
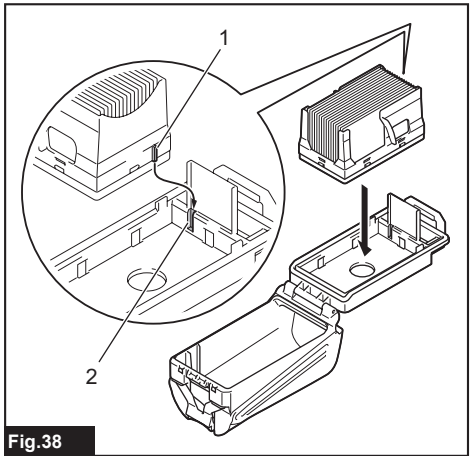
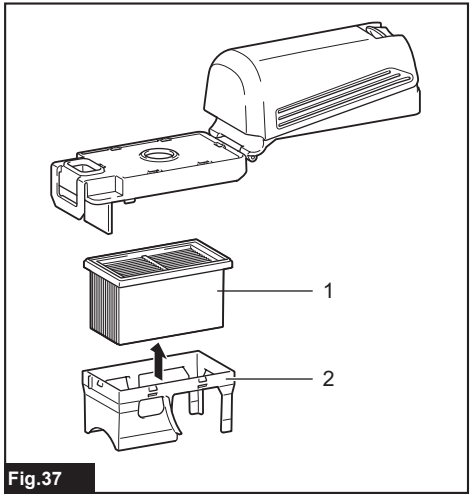
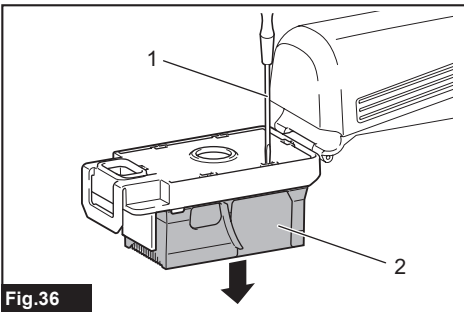
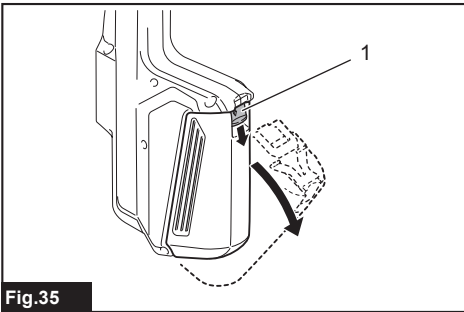
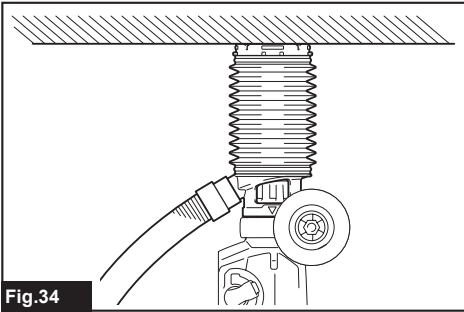
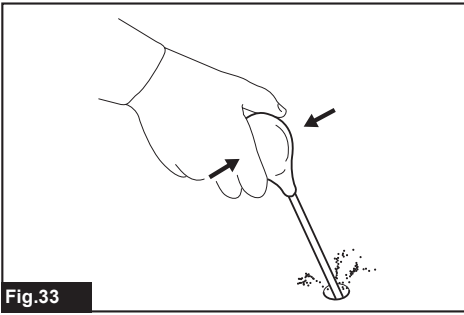


Fig.32



SPECIFICATIONS

Model:		HR2650	HR2651	HR2651T	HR2661
Capacities	Concrete	26 mm			
	Core bit	68 mm			
	Diamond core bit (dry type)	80 mm			
	Steel	13 mm			
	Wood	32 mm			
No load speed		0 - 1,200 min ⁻¹			0 - 1,100 min ⁻¹
Blows per minute		0 - 4,600 min ⁻¹			0 - 4,500 min ⁻¹
Overall length		604 mm		630 mm	666 mm
Net weight		3.0 - 4.1 kg	3.1 - 4.2 kg	3.2 - 4.4 kg	3.3 - 4.4 kg
Safety class		□/II			

- Due to our continuing program of research and development, the specifications herein are subject to change without notice.
- Specifications may differ from country to country.
- The weight may differ depending on the attachment(s). The lightest and heaviest combination, according to EPTA-Procedure 01/2014, are shown in the table.

Intended use

The tool is intended for hammer drilling and drilling in brick, concrete and stone. It is also suitable for drilling without impact in wood, metal, ceramic and plastic.

Power supply

The tool should be connected only to a power supply of the same voltage as indicated on the nameplate, and can only be operated on single-phase AC supply. They are double-insulated and can, therefore, also be used from sockets without earth wire.

Noise

The typical A-weighted noise level determined according to EN60745:

Model HR2650

Sound pressure level (L_{pA}) : 91 dB(A)
 Sound power level (L_{WA}) : 102 dB (A)
 Uncertainty (K) : 3 dB(A)

Model HR2651

Sound pressure level (L_{pA}) : 92 dB(A)
 Sound power level (L_{WA}) : 103 dB (A)
 Uncertainty (K) : 3 dB(A)

Model HR2651T

Sound pressure level (L_{pA}) : 92 dB(A)
 Sound power level (L_{WA}) : 103 dB (A)
 Uncertainty (K) : 3 dB(A)

Model HR2661

Sound pressure level (L_{pA}) : 90 dB(A)
 Sound power level (L_{WA}) : 101 dB (A)
 Uncertainty (K) : 3 dB(A)

⚠ WARNING: Wear ear protection.

Vibration

The vibration total value (tri-axial vector sum) determined according to EN60745:

Model HR2650

Work mode: hammer drilling into concrete
 Vibration emission (a_{h,HD}): 12.5 m/s²
 Uncertainty (K) : 1.5 m/s²

Work mode: chiselling function with side grip
 Vibration emission (a_{h,Cheg}): 9.5 m/s²
 Uncertainty (K) : 1.5 m/s²

Work mode: drilling into metal
 Vibration emission (a_{h,D}) : 2.5 m/s²
 Uncertainty (K) : 1.5 m/s²

Model HR2651

Work mode: hammer drilling into concrete
 Vibration emission (a_{h,HD}): 11.5 m/s²
 Uncertainty (K) : 1.5 m/s²

Work mode: chiselling function with side grip
 Vibration emission (a_{h,Cheg}): 9.0 m/s²
 Uncertainty (K) : 1.5 m/s²

Work mode: drilling into metal
 Vibration emission (a_{h,D}) : 2.5 m/s²
 Uncertainty (K) : 1.5 m/s²

Model HR2651T

Work mode: hammer drilling into concrete
 Vibration emission (a_{h,HD}): 11.5 m/s²
 Uncertainty (K) : 1.5 m/s²

Work mode: chiselling function with side grip
 Vibration emission (a_{h,Cheg}): 9.0 m/s²
 Uncertainty (K) : 1.5 m/s²

Work mode: drilling into metal
 Vibration emission (a_{h,D}) : 2.5 m/s²
 Uncertainty (K) : 1.5 m/s²

Model HR2661

Work mode: hammer drilling into concrete
 Vibration emission (a_{h,HD}): 9.5 m/s²
 Uncertainty (K) : 1.5 m/s²

Work mode: chiselling function with side grip

Vibration emission ($a_{h, \text{Chgd}}$): 6.0 m/s²

Uncertainty (K) : 1.5 m/s²

Work mode: drilling into metal

Vibration emission ($a_{h, D}$) : 2.5 m/s² or less

Uncertainty (K) : 1.5 m/s²

NOTE: The declared vibration emission value has been measured in accordance with the standard test method and may be used for comparing one tool with another.

NOTE: The declared vibration emission value may also be used in a preliminary assessment of exposure.

⚠WARNING: The vibration emission during actual use of the power tool can differ from the declared emission value depending on the ways in which the tool is used.

⚠WARNING: Be sure to identify safety measures to protect the operator that are based on an estimation of exposure in the actual conditions of use (taking account of all parts of the operating cycle such as the times when the tool is switched off and when it is running idle in addition to the trigger time).

EC Declaration of Conformity

For European countries only

The EC declaration of conformity is included as Annex A to this instruction manual.

SAFETY WARNINGS

General power tool safety warnings

⚠WARNING: Read all safety warnings, instructions, illustrations and specifications provided with this power tool. Failure to follow all instructions listed below may result in electric shock, fire and/or serious injury.

Save all warnings and instructions for future reference.

The term "power tool" in the warnings refers to your mains-operated (corded) power tool or battery-operated (cordless) power tool.

ROTARY HAMMER SAFETY WARNINGS

1. **Wear ear protectors.** Exposure to noise can cause hearing loss.
2. **Use auxiliary handle(s), if supplied with the tool.** Loss of control can cause personal injury.
3. **Hold power tool by insulated gripping surfaces, when performing an operation where the cutting accessory may contact hidden wiring or its own cord.** Cutting accessory contacting a "live" wire may make exposed metal parts of the power tool "live" and could give the operator an electric shock.

4. **Wear a hard hat (safety helmet), safety glasses and/or face shield. Ordinary eye or sun glasses are NOT safety glasses.** It is also highly recommended that you wear a dust mask and thickly padded gloves.
5. **Be sure the bit is secured in place before operation.**
6. **Under normal operation, the tool is designed to produce vibration. The screws can come loose easily, causing a breakdown or accident. Check tightness of screws carefully before operation.**
7. **In cold weather or when the tool has not been used for a long time, let the tool warm up for a while by operating it under no load. This will loosen up the lubrication. Without proper warm-up, hammering operation is difficult.**
8. **Always be sure you have a firm footing. Be sure no one is below when using the tool in high locations.**
9. **Hold the tool firmly with both hands.**
10. **Keep hands away from moving parts.**
11. **Do not leave the tool running. Operate the tool only when hand-held.**
12. **Do not point the tool at any one in the area when operating. The bit could fly out and injure someone seriously.**
13. **Do not touch the bit, parts close to the bit, or workpiece immediately after operation; they may be extremely hot and could burn your skin.**
14. **Some material contains chemicals which may be toxic. Take caution to prevent dust inhalation and skin contact. Follow material supplier safety data.**
15. **Do not touch the power plug with wet hands.**

SAVE THESE INSTRUCTIONS.

⚠WARNING: DO NOT let comfort or familiarity with product (gained from repeated use) replace strict adherence to safety rules for the subject product. MISUSE or failure to follow the safety rules stated in this instruction manual may cause serious personal injury.

FUNCTIONAL DESCRIPTION

CAUTION: Always be sure that the tool is switched off and unplugged before adjusting or checking function on the tool.

Switch action

CAUTION: Before plugging in the tool, always check to see that the switch trigger actuates properly and returns to the "OFF" position when released.

CAUTION: Switch can be locked in "ON" position for ease of operator comfort during extended use. Apply caution when locking tool in "ON" position and maintain firm grasp on tool.

► **Fig.1:** 1. Switch trigger 2. Lock button

► **Fig.2:** 1. Switch trigger 2. Lock button





To start the tool, simply pull the switch trigger. Tool speed is increased by increasing pressure on the switch trigger. Release the switch trigger to stop.

For continuous operation, pull the switch trigger, push in the lock button and then release the switch trigger. To stop the tool from the locked position, pull the switch trigger fully, then release it.



Reversing switch action

CAUTION: Always check the direction of rotation before operation.

NOTICE: Use the reversing switch only after the tool comes to a complete stop. Changing the direction of rotation before the tool stops may damage the tool.



NOTICE: If the switch trigger cannot be depressed, check to see that the reversing switch is fully set to position  /  (A side) or  /  (B side).

For HR2650/HR2651/HR2651T

This tool has a reversing switch to change the direction of rotation. Move the reversing switch lever to the position  (A side) for clockwise rotation or to the position  (B side) for counterclockwise rotation.

► **Fig.3:** 1. Reversing switch lever

For HR2661

This tool has a reversing switch to change the direction of rotation. Move the reversing switch lever to the  position (A side) for clockwise rotation or the  position (B side) for counterclockwise rotation.

► **Fig.4:** 1. Reversing switch lever

NOTE: When you operate the tool in counterclockwise rotation, the switch trigger is pulled only halfway and the tool runs at half speed. For counterclockwise rotation, you cannot push in the lock button.



Changing the quick change chuck for SDS-plus

For HR2651T

The quick change chuck for SDS-plus can be easily exchanged for the quick change drill chuck.




Removing the quick change chuck for SDS-plus

CAUTION: Before removing the quick change chuck for SDS-plus, be sure to remove the bit.

Grasp the change cover of the quick change chuck for SDS-plus and turn in the direction of the arrow until the change cover line moves from the  symbol to the  symbol. Pull forcefully in the direction of the arrow.

► **Fig.5:** 1. Quick change chuck for SDS-plus
2. Change cover 3. Change cover line

Installing the quick change drill chuck

Check the line of the quick change drill chuck shows the  symbol. Grasp the change cover of the quick change drill chuck and set the line to the  symbol. Place the quick change drill chuck on the spindle of the tool. Grasp the change cover of the quick change drill chuck and turn the change cover line to the  symbol until a click can clearly be heard.


► **Fig.6:** 1. Quick change drill chuck 2. Spindle
3. Change cover line 4. Change cover

Selecting the action mode

NOTICE: Do not rotate the action mode changing knob when the tool is running. The tool will be damaged.


NOTICE: To avoid rapid wear on the mode change mechanism, be sure that the action mode changing knob is always positively located in one of the three action mode positions.

Rotation with hammering

For drilling in concrete, masonry, etc., rotate the action mode changing knob to the  symbol. Use a tungsten-carbide tipped bit (optional accessory).

► **Fig.7:** 1. Rotation with hammering 2. Action mode changing knob

Rotation only

For drilling in wood, metal or plastic materials, rotate the action mode changing knob to the  symbol. Use a twist drill bit or wood drill bit.

► **Fig.8:** 1. Rotation only

Hammering only

For chipping, scaling or demolition operations, rotate the action mode changing knob to the \uparrow symbol. Use a bull point, cold chisel, scaling chisel, etc.

► **Fig.9:** 1. Hammering only

Adjusting the nozzle position

Push in the guide while pressing the guide adjustment button, and then release the button at the desired position.

► **Fig.10:** 1. Guide 2. Guide adjustment button

NOTE: Before adjusting the nozzle position, release the nozzle forward completely by pressing the guide adjustment button.

Adjusting the drilling depth

Slide the depth adjustment button to the desired position while pressing it. The distance (A) is the drilling depth.

► **Fig.11:** 1. Depth adjustment button

Torque limiter

NOTICE: As soon as the torque limiter actuates, switch off the tool immediately. This will help prevent premature wear of the tool.

NOTICE: Drill bits such as hole saw, which tend to pinch or catch easily in the hole, are not appropriate for this tool. This is because they will cause the torque limiter to actuate too frequently.

The torque limiter will actuate when a certain torque level is reached. The motor will disengage from the output shaft. When this happens, the drill bit will stop turning.

Hook

CAUTION: Never hook the tool at high location or on potentially unstable surface.

For HR2661

► **Fig.12:** 1. Hook

The hook is convenient for temporarily hanging the tool. To use the hook, simply lift up hook until it snaps into the open position. When not in use, always lower hook until it snaps into the closed position.

ASSEMBLY

CAUTION: Always be sure that the tool is switched off and unplugged before carrying out any work on the tool.

Side grip (auxiliary handle)

CAUTION: Always use the side grip to ensure safe operation.

CAUTION: After installing or adjusting the side grip, make sure that the side grip is firmly secured.

Install the side grip so that the grooves on the grip fit in the protrusions on the tool barrel. Turn the grip clockwise to secure it. The grip can be fixed at desired angle.

► **Fig.13:** 1. Side grip

Grease

Coat the shank end of the drill bit beforehand with a small amount of grease (about 0.5 - 1 g). This chuck lubrication assures smooth action and longer service life.

Installing or removing drill bit

Clean the shank end of the drill bit and apply grease before installing the drill bit.

► **Fig.14:** 1. Shank end 2. Grease

Insert the drill bit into the tool. Turn the drill bit and push it in until it engages.

After installing the drill bit, always make sure that the drill bit is securely held in place by trying to pull it out.

► **Fig.15:** 1. Drill bit

To remove the drill bit, pull the chuck cover down all the way and pull the drill bit out.

► **Fig.16:** 1. Drill bit 2. Chuck cover

Chisel angle (when chipping, scaling or demolishing)

The chisel can be secured at the desired angle. To change the chisel angle, rotate the action mode changing knob to the O symbol. Turn the chisel to the desired angle.

► **Fig.17:** 1. Action mode changing knob

Rotate the action mode changing knob to the \uparrow symbol. Then make sure that the chisel is securely held in place by turning it slightly.

Depth gauge

The depth gauge is convenient for drilling holes of uniform depth. Loosen the side grip and insert the depth gauge into the hole on the side grip. Adjust the depth gauge to the desired depth and tighten the side grip firmly.

► **Fig.18:** 1. Hole 2. Depth gauge

NOTE: Make sure that the depth gauge does not touch the main body of the tool when attaching it.

Installing or removing dust collection system

To remove the dust collection system, pull the tool while pressing the lock-off button. To install it, insert the tool into the dust collection system all the way until it locks in place with a little click.

► Fig.19: 1. Lock-off button

Dust cup

Optional accessory

Use the dust cup to prevent dust from falling over the tool and on yourself when performing overhead drilling operations. Attach the dust cup to the bit as shown in the figure. The size of bits which the dust cup can be attached to is as follows.

Model	Bit diameter
Dust cup 5	6 mm - 14.5 mm
Dust cup 9	12 mm - 16 mm

► Fig.20: 1. Dust cup

Dust cup set

Optional accessory

Before installing the dust cup set, remove the bit from the tool if installed.

Install the dust cup set on the tool so that the \triangle symbol on the dust cup is aligned with the groove in the tool.

► Fig.21: 1. \triangle symbol 2. Groove

NOTE: If you connect a vacuum cleaner to the dust cup set, remove the dust cap before connecting it.

► Fig.22: 1. Dust cap

To remove the dust cup set, remove the bit while pulling the chuck cover in the direction of the arrow.

► Fig.23: 1. Bit 2. Chuck cover

Hold the root of dust cup and pull it out.

► Fig.24

NOTE: If the cap comes off from the dust cup, attach it with its printed side facing up so that groove on the cap fits in the inside periphery of the attachment.

► Fig.25

OPERATION

CAUTION: Always use the side grip (auxiliary handle) and firmly hold the tool by both side grip and switch handle during operations.

CAUTION: Always make sure that the work-piece is secured before operation.

CAUTION: The dust collection system is intended for drilling in concrete only. Do not use the dust collection system for drilling in metal or wood.

CAUTION: When using the tool with the dust collection system, be sure to attach the filter to the dust collection system to prevent dust inhalation.

CAUTION: Before using the dust collection system, check that the filter is not damaged. Failure to do so may cause dust inhalation.

CAUTION: The dust collection system collects the generated dust at a considerable rate, but not all dust can be collected.


NOTICE: Do not use the dust collection system for core drilling or chiseling.

NOTICE: Do not use the dust collection system for drilling in wet concrete or use this system in wet environment. Failure to do so may cause malfunction.

► Fig.26

Hammer drilling operation


CAUTION: There is tremendous and sudden twisting force exerted on the tool/drill bit at the time of hole break-through, when the hole becomes clogged with chips and particles, or when striking reinforcing rods embedded in the concrete. **Always use the side grip (auxiliary handle) and firmly hold the tool by both side grip and switch handle during operations.** Failure to do so may result in the loss of control of the tool and potentially severe injury.

Set the action mode changing knob to the  symbol. Position the drill bit at the desired location for the hole, then pull the switch trigger. Do not force the tool. Light pressure gives best results. Keep the tool in position and prevent it from slipping away from the hole.

Do not apply more pressure when the hole becomes clogged with chips or particles. Instead, run the tool at an idle, then remove the drill bit partially from the hole. By repeating this several times, the hole will be cleaned out and normal drilling may be resumed.

NOTE: Eccentricity in the drill bit rotation may occur while operating the tool with no load. The tool automatically centers itself during operation. This does not affect the drilling precision.

Chipping/Scaling/Demolition

Set the action mode changing knob to the  symbol. Hold the tool firmly with both hands. Turn the tool on and apply slight pressure on the tool so that the tool will not bounce around, uncontrolled.

Pressing very hard on the tool will not increase the efficiency.

► Fig.27

Drilling in wood or metal

CAUTION: Hold the tool firmly and exert care when the drill bit begins to break through the workpiece. There is a tremendous force exerted on the tool/drill bit at the time of hole break through.

CAUTION: A stuck drill bit can be removed simply by setting the reversing switch to reverse rotation in order to back out. However, the tool may back out abruptly if you do not hold it firmly.

CAUTION: Always secure workpieces in a vise or similar hold-down device.

NOTICE: Never use “rotation with hammering” when the drill chuck is installed on the tool. The drill chuck may be damaged. Also, the drill chuck will come off when reversing the tool.

NOTICE: Pressing excessively on the tool will not speed up the drilling. In fact, this excessive pressure will only serve to damage the tip of your drill bit, decrease the tool performance and shorten the service life of the tool.

Set the action mode changing knob to the  symbol.

For HR2650/HR2651/HR2661

Optional accessory

Attach the chuck adapter to a keyless drill chuck to which 1/2"-20 size screw can be installed, and then install them to the tool. When installing it, refer to the section “Installing or removing drill bit”.

► **Fig.28:** 1. Keyless drill chuck 2. Chuck adapter

For HR2651T

Use the quick change drill chuck as standard equipment. When installing it, refer to “changing the quick change chuck for SDS-plus”.


Hold the ring and turn the sleeve counterclockwise to open the chuck jaws. Place the bit in the chuck as far as it will go. Hold the ring firmly and turn the sleeve clockwise to tighten the chuck.

► **Fig.29:** 1. Sleeve 2. Ring

To remove the bit, hold the ring and turn the sleeve counterclockwise.

Diamond core drilling

NOTICE: If performing diamond core drilling operations using “rotation with hammering” action, the diamond core bit may be damaged.

When performing diamond core drilling operations, always set the change lever to the  position to use “rotation only” action.

Disposing of dust

CAUTION: Always be sure that the tool is switched off and unplugged before carrying out any work on the tool.

CAUTION: Be sure to wear dust mask when disposing of dust.

CAUTION: Empty the dust case regularly before the dust case becomes full. Failure to do so may decrease the dust collection performance and cause dust inhalation.

CAUTION: The performance of dust collection decreases if the filter in the dust case become clogged. Replace the filter with new one after approximately 200 times of dust fulfillment as a guide. Failure to do so may cause dust inhalation.

1. Remove the dust case while pressing down the lever of the dust case.

► **Fig.30:** 1. Lever

2. Open the cover of the dust case.

► **Fig.31:** 1. Cover

3. Dispose of the dust, and then clean the filter.

► **Fig.32**

NOTICE: When cleaning the filter, do not touch the filter with brush or similar, or blow compressed air on the filter. It may damage the filter.

Blow-out bulb

Optional accessory

After drilling the hole, use the blow-out bulb to clean the dust out of the hole.

► **Fig.33**

Using dust cup set

Optional accessory

Fit the dust cup set against the ceiling when operating the tool.

► **Fig.34**

NOTICE: Do not use the dust cup set when drilling in metal or similar. It may damage the dust cup set due to the heat produced by small metal dust or similar.

NOTICE: Do not install or remove the dust cup set with the drill bit installed in the tool. It may damage the dust cup set and cause dust leak.

MAINTENANCE

CAUTION: Always be sure that the tool is switched off and unplugged before attempting to perform inspection or maintenance.

NOTICE: Never use gasoline, benzine, thinner, alcohol or the like. Discoloration, deformation or cracks may result.

To maintain product SAFETY and RELIABILITY, repairs, any other maintenance or adjustment should be performed by Makita Authorized or Factory Service Centers, always using Makita replacement parts.

Replacing filter of dust case

1. Remove the dust case while pressing down the lever of the dust case.
▶ **Fig.35:** 1. Lever
2. Insert the flat-blade screwdriver into the slots of the filter cover to remove the filter case and filter.
▶ **Fig.36:** 1. Flat-blade screwdriver 2. Filter case
3. Remove the filter from the filter case.
▶ **Fig.37:** 1. Filter 2. Filter case
4. Attach a new filter to the filter case, and then attach them to the dust case aligning the protrusion on the filter case with the groove on the dust case.
▶ **Fig.38:** 1. Protrusion 2. Groove
5. Close the cover of the dust case, and then attach it to the tool.

Replacing sealing cap

If the sealing cap is worn out, the performance of the dust collection decreases. Replace it if it's worn out. Remove the sealing cap, and then attach a new one with its protrusion facing upward.

- ▶ **Fig.39:** 1. Protrusion 2. Sealing cap

OPTIONAL ACCESSORIES

⚠ CAUTION: These accessories or attachments are recommended for use with your Makita tool specified in this manual. The use of any other accessories or attachments might present a risk of injury to persons. Only use accessory or attachment for its stated purpose.

If you need any assistance for more details regarding these accessories, ask your local Makita Service Center.

- Carbide-tipped drill bits (SDS-Plus carbide-tipped bits)
- Core bit
- Bull point
- Diamond core bit
- Cold chisel
- Scaling chisel
- Grooving chisel
- Chuck adapter
- Keyless drill chuck
- Bit grease
- Depth gauge
- Blow-out bulb
- Dust cup
- Dust cup set
- Safety goggles
- Plastic carrying case

NOTE: Some items in the list may be included in the tool package as standard accessories. They may differ from country to country.

SPECIFIKATIONER

Modell:		HR2650	HR2651	HR2651T	HR2661
Kapaciteter	Cement	26 mm			
	Borrkrona	68 mm			
	Borr med diamantkrona (torr modell)	80 mm			
	Stål	13 mm			
	Trä	32 mm			
Hastighet utan belastning		0 - 1 200 min ⁻¹			0 - 1 100 min ⁻¹
Slag per minut		0 - 4 600 min ⁻¹			0 - 4 500 min ⁻¹
Total längd		604 mm		630 mm	666 mm
Nettovikt		3,0 - 4,1 kg	3,1 - 4,2 kg	3,2 - 4,4 kg	3,3 - 4,4 kg
Säkerhetsklass		□/II			

- På grund av vårt pågående program för forskning och utveckling kan dessa specifikationer ändras utan föregående meddelande.
- Specifikationer kan variera mellan olika länder.
- Vikten kan variera beroende på tillbehören. Den lättaste och den tyngsta kombinationen enligt EPTA-procedur 01/2014 visas i tabellen.

Avsedd användning

Maskinen är avsedd för slagborrning och borrning i tegel, betong och sten.
Den är även lämpad för borrning utan slag i trä, metall, keramik och plast.

Strömförsörjning

Maskinen får endast anslutas till elnät med samma spänning som anges på typplåten och med enfasig växelström. De är dubbelisolerade och får därför också anslutas i ojordade vägguttag.

Buller

Den normala bullernivån för A-belastning är bestämd enligt EN60745:

Model HR2650

Ljudtrycksnivå (L_{pA}): 91 dB (A)
Ljudeffektnivå (L_{WA}): 102 dB (A)
Måttolerans (K): 3 dB (A)

Model HR2651

Ljudtrycksnivå (L_{pA}): 92 dB (A)
Ljudeffektnivå (L_{WA}): 103 dB (A)
Måttolerans (K): 3 dB (A)

Model HR2651T

Ljudtrycksnivå (L_{pA}): 92 dB (A)
Ljudeffektnivå (L_{WA}): 103 dB (A)
Måttolerans (K): 3 dB (A)

Model HR2661

Ljudtrycksnivå (L_{pA}): 90 dB (A)
Ljudeffektnivå (L_{WA}): 101 dB (A)
Måttolerans (K): 3 dB (A)

VARNING: Använd hörselskydd.

Vibration

Det totala vibrationsvärdet (treaxlad vektorsumma) bestämt enligt EN60745:

Model HR2650

Arbetsläge: slagborrning i betong
Vibrationsemission ($a_{h,HD}$): 12,5 m/s²
Måttolerans (K): 1,5 m/s²

Arbetsläge: bearbetningsfunktion med sidohandtag

Vibrationsemission ($a_{h,CReq}$): 9,5 m/s²
Måttolerans (K): 1,5 m/s²

Arbetsläge: borrning i metall

Vibrationsemission ($a_{h,D}$): 2,5 m/s²
Måttolerans (K): 1,5 m/s²

Model HR2651

Arbetsläge: slagborrning i betong
Vibrationsemission ($a_{h,HD}$): 11,5 m/s²
Måttolerans (K): 1,5 m/s²

Arbetsläge: bearbetningsfunktion med sidohandtag

Vibrationsemission ($a_{h,CReq}$): 9,0 m/s²
Måttolerans (K): 1,5 m/s²

Arbetsläge: borrning i metall

Vibrationsemission ($a_{h,D}$): 2,5 m/s²
Måttolerans (K): 1,5 m/s²

Model HR2651T

Arbetsläge: slagborrning i betong
Vibrationsemission ($a_{h,HD}$): 11,5 m/s²
Måttolerans (K): 1,5 m/s²

Arbetsläge: bearbetningsfunktion med sidohandtag

Vibrationsemission ($a_{h,CReq}$): 9,0 m/s²
Måttolerans (K): 1,5 m/s²

Arbetsläge: borrning i metall

Vibrationsemission ($a_{h,D}$): 2,5 m/s²
Måttolerans (K): 1,5 m/s²

Model HR2661

Arbetsläge: slagborrning i betong

Vibrationsemission ($a_{h, HD}$): 9,5 m/s²

Måttolerans (K): 1,5 m/s²

Arbetsläge: bearbetningsfunktion med sidohandtag

Vibrationsemission ($a_{h, Cheq}$): 6,0 m/s²

Måttolerans (K): 1,5 m/s²

Arbetsläge: borrning i metall

Vibrationsemission ($a_{h, D}$): 2,5 m/s² eller lägre

Måttolerans (K): 1,5 m/s²

OBS: Det deklarerade vibrationsemissionsvärdet har uppmätts i enlighet med standardtestmetoden och kan användas för att jämföra en maskin med en annan.

OBS: Det deklarerade vibrationsemissionsvärdet kan också användas i en preliminär bedömning av exponering för vibration.

⚠ VARNING: Vibrationsemissionen under faktisk användning av maskinen kan skilja sig från det deklarerade emissionsvärdet, beroende på hur maskinen används.

⚠ VARNING: Var noga med att identifiera säkerhetsåtgärder för att skydda användaren, vilka är grundade på en uppskattning av graden av exponering för vibrationer under de faktiska användningsförhållandena, (ta, förutom avtryckartiden, med alla delar av användarcykeln i beräkningen, som till exempel tiden då maskinen är avstängd och när den går på tomgång).

EG-försäkran om överensstämmelse

Gäller endast inom EU

EG-försäkran om överensstämmelse inkluderas som bilaga A till denna bruksanvisning.

SÄKERHETSVARNINGAR

Allmänna säkerhetsvarningar för maskiner

⚠ VARNING: Läs alla säkerhetsvarningar, anvisningar, illustrationer och specifikationer som medföljer det här maskinen. Underlåtenhet att följa instruktionerna kan leda till elstötar, brand och/eller allvariga personsador.

Spara alla varningar och instruktioner för framtida referens.

Termen "maskin" som anges i varningarna hänvisar till din eldrivna maskin (sladdansluten) eller batteridrivna maskin (sladdlös).

SÄKERHETSVARNINGAR FÖR BORRHAMMARE

1. **Använd hörselskydd.** Kraftigt buller kan orsaka hörselsador.
2. **Använd extrahandtag om det levereras med maskinen.** Om du förlorar kontrollen över maskinen kan det leda till personsador.
3. **Håll maskinen i de isolerade handtagen om det finns risk för att skärverktyget kan komma i kontakt med en dold elkabel eller sin egen kabel.** Om stücksågmaskinen kommer i kontakt med en strömförande ledning blir verktygets blottlagda metalldelar strömförande och kan ge användaren en elektrisk stöt.
4. **Använd en hård hjälm (skyddshjälm), skyddsglasögon och/eller ansiktsskydd.** Vanliga glasögon och solglasögon är INTE skyddsglasögon. Du bör också bära ett dammskydd och tjockt fodrade handskar.
5. **Se till att borret sitter säkert innan maskinen används.**
6. **Under normal användning vibrerar maskinen.** Skruvarna kan lätt lossna, vilket kan orsaka maskinhaveri eller en olycka. Kontrollera att skruvarna är åtdragna innan maskinen används.
7. **I kall väderlek, eller när verktyget inte använts under en längre tid, bör du värma upp verktyget genom att använda det utan belastning.** Detta gör smörjningen mer viskös. Utan uppvärmning blir det svårt att använda hammaren.
8. **Se till att alltid ha ordentligt fotfäste.** Se till att ingen står under dig när maskinen används på hög höjd.
9. **Håll maskinen stadigt med båda händerna.**
10. **Håll händerna borta från rörliga delar.**
11. **Lämna inte maskinen igång.** Använd endast maskinen när du håller den i händerna.
12. **Rikta inte maskinen mot någon när den används.** Borret kan flyga ut och skada någon allvarligt.
13. **Rör inte vid borret, närliggande delar eller arbetsstycket efter användning, då de kan vara extremt varma och orsaka brännador.**
14. **Vissa material kan innehålla giftiga kemikalier.** Se till att du inte andas in damm eller får det på huden. Följ anvisningarna i leverantörens materialsäkerhetsblad.
15. **Rör inte vid elkontakten med våta händer.**

SPARA DESSA ANVISNINGAR.

⚠ VARNING: GLÖM INTE att också fortsättningsvis strikt följa säkerhetsanvisningarna för maskinen även efter att du blivit van att använda den. Vid FELAKTIG HANTERING av maskinen eller om inte säkerhetsanvisningarna i denna bruksanvisning följs kan följden bli allvariga personsador.

FUNKTIONSBESKRIVNING

⚠ FÖRSIKTIGT: Se alltid till att maskinen är avstängd och nåtsladden urdragen innan du justerar eller funktionskontrollerar maskinen.

Avtryckarens funktion

⚠ FÖRSIKTIGT: Innan du ansluter maskinen till elnätet ska du kontrollera att avtryckaren fungerar och återgår till läget "OFF" när du släpper den.

⚠ FÖRSIKTIGT: Knappen kan låsas i läget "ON" för att underlätta användning när maskinen används under en längre tid. Var försiktig när du låser maskinen i läget "ON", och fortsatt hålla ett stadigt grepp om maskinen.

► Fig.1: 1. Avtryckare 2. Säkerhetsknapp

► Fig.2: 1. Avtryckare 2. Låsknapp

Tryck in avtryckaren för att starta verktyget. Hastigheten ökas genom att trycka hårdare på avtryckaren. Släpp avtryckaren för att stoppa maskinen.

För kontinuerlig användning håller du avtryckaren intryckt, skjuter in låsknappen och släpper därefter avtryckaren. Tryck in avtryckaren helt och släpp den sedan för att stoppa maskinen när den är i låst läge.

Reverseringsspakens funktion

⚠ FÖRSIKTIGT: Kontrollera alltid rotationsriktningen före användning.

OBSERVERA: Använd endast reverseringsknappen när maskinen har stoppat helt. Maskinen kan skadas om du byter rotationsriktning medan den fortfarande roterar.

OBSERVERA: Om avtryckaren inte går att trycka in kontrollerar du att reverseringsspaken är helt satt i läge ◀ / ↶ (sida A) eller ▶ / ↷ (sida B).

För HR2650/HR2651/HR2651T

Denna maskin har en reverseringsknapp för byte av rotationsriktning. Flytta reverseringsknappen till läget ◀ (A-sidan) för medurs rotation eller till läget ▶ (B-sidan) för moturs rotation.

► Fig.3: 1. Reverseringsspak

För HR2661

Denna maskin har en reverseringsspak för byte av rotationsriktning. Flytta reverseringsspaken till läge ↶ (sida A) för medurs rotation eller till läge ↷ (sida B) för moturs rotation.

► Fig.4: 1. Reverseringsspak

OBS: När du kör maskinen med moturs rotation, är avtryckaren endast ute halvvägs och maskinen går på halv hastighet. Det går inte att trycka in låsknappen vid moturs rotation.



Byte av snabbchuck för SDS-Plus

För HR2651T

Snabbchucken för SDS-Plus kan lätt bytas ut mot snabbchucken för borr.




Demontering av snabbchuck för SDS-Plus

⚠ FÖRSIKTIGT: Ta alltid bort borret innan snabbchucken för SDS-Plus avlägsnas.

Fatta tag i fästhöljet för snabbchucken för SDS-Plus, och vrid det i pilens riktning tills linjen på fästhöljet har flyttats från symbolen  till symbolen . Dra med kraft i pilens riktning.

► Fig.5: 1. Snabbchuck för SDS-Plus 2. Fästhölje 3. Fästhöljeslinje

Fastsättning av snabbchuck för borr

Kontrollera att linjen på snabbchucken för borr visar symbolen . Fatta tag i fästhöljet för snabbchucken och ställ in linjen mot symbolen . Sätt snabbchucken på maskinens spindel. Fatta tag i fästhöljet för snabbchucken, och vrid linjen på fästhöljet till symbolen  tills det hörs ett tydligt klickljud.


► Fig.6: 1. Snabbchuck 2. Spindel 3. Fästhöljeslinje 4. Fästhölje

Välja arbetsläge

OBSERVERA: Använd inte arbetslägesreglaget när verktyget används. Verktyget kan skadas.


OBSERVERA: För att undvika slitage på mekanismen för lägesändring ska du se till att reglaget för byte av arbetsläge alltid är säkert placerat i ett av de tre arbetslägena.

Slagborrning

Vrid reglaget för byte av arbetsläge till symbolen  för borrning i betong, murbruk mm. Använd ett borr med en spets av volframkarbid (extra tillbehör).


► Fig.7: 1. Slagborrning 2. Spak för byte av arbetsläge

Endast borrning

Vid borrning i trä, metall eller plastmaterial, vrid reglaget för byte av arbetsläge till symbolen . Använd borr för metall eller trä.

► Fig.8: 1. Endast borrning

Endast slag

Vrid reglaget för byte av arbetsläge till symbolen  för huggmejslings-, gradmejslings- eller demoleringsarbete. Använd en spetsmejsel, kallmejsel, gradmejsel mm.

► Fig.9: 1. Endast slag

Inställning av munstyckets läge

Tryck in guiden samtidigt som du trycker in guideinställningsknappen, släpp därefter knappen vid önskat läge.

► **Fig.10:** 1. Guide 2. Guideinställningsknapp

OBS: Innan du ställer in munstyckets läge, för munstycket hela vägen framåt genom att trycka på guideinställningsknappen.

Inställning av borrdjup

Skjut djupinställningsknappen till önskat läge samtidigt som du trycker in den. Avståndet (A) är lika med borrdjupet.

► **Fig.11:** 1. Djupinställningsknapp

Momentbegränsare

OBSERVERA: Stäng omedelbart av maskinen så snart momentbegränsaren aktiveras. Detta förhindrar onödigt slitage på maskinen.

OBSERVERA: Borr som hålsåg, vilken har en tendens att klämmas eller fastna lätt i hålet, är inte lämplig för denna maskin. Detta för att de gör så att momentbegränsaren aktiveras för ofta.

Momentbegränsaren aktiveras när ett visst vridmoment uppnås. Motorn kopplas bort från borrhäftet. När detta inträffar slutar borret att rotera.

Krok

⚠FÖRSIKTIGT: Häng aldrig upp maskinen på hög höjd eller på platser som inte är helt stabila.

För HR2661

► **Fig.12:** 1. Krok

Haken kan användas när du vill hänga upp verktyget temporärt. När du ska använda kroken lyfter du den helt enkelt tills den fastnar i öppet läge. När du inte behöver den, trycker du in kroken tills den fastnar i stängt läge.

MONTERING

⚠FÖRSIKTIGT: Se alltid till att maskinen är avstängd och nätsladden urdragen innan maskinen repareras.

Sidohandtag (extrahandtag)

⚠FÖRSIKTIGT: Använd alltid sidohandtaget för att garantera säker drift.

⚠FÖRSIKTIGT: Efter installation eller justering av sidohandtaget måste du se till att sidohandtaget sitter ordentligt fast.

Sätt i sidohandtaget så att spåren i handtaget passar in i spåren på den cylindriska delen. Vrid handtaget medurs för att låsa fast det. Handtaget kan fästas i önskad vinkel.

► **Fig.13:** 1. Sidohandtag

Fett

Täck på förhand borrhäftet med en liten mängd fett (ca 0,5 - 1 g). Smörjning av chucken ger smidig funktion och längre livslängd.

Sätta i och ta ur borrar

Rengör borrhäftet och applicera fett innan det monteras.

► **Fig.14:** 1. Skaftände 2. Fett

Sätt in borret i maskinen. Vrid borret och tryck in tills det låser fast.

Se efter montering av borret till att det sitter ordentligt fast genom att försöka dra ut det.

► **Fig.15:** 1. Borr

Ta ut borret genom att trycka ner chuckskyddet hela vägen och dra ut det.

► **Fig.16:** 1. Borr 2. Chuckhölje

Mejselvinkel (vid huggmejsling, gradmejsling eller demolering)

Mejseln kan fästas i önskad vinkel. Roterat reglaget för byte av arbetsläge till symbolen O för att ändra mejel-vinkeln. Vrid mejseln till önskad vinkel.

► **Fig.17:** 1. Spak för byte av arbetsläge

Vrid reglaget för byte av arbetsläge till symbolen \square . Se därefter till att mejseln hålls säkert på plats genom att vrida det något.

Djupmätt

Djupmättet är praktiskt för att borra hål med samma djup. Lossa sidohandtaget och sätt in djupmätaren i hålet i sidohandtaget. Justera djupmätaren till önskat djup och dra fast sidohandtaget ordentligt.

► **Fig.18:** 1. Hål 2. Djupmätt

OBS: Se till att djupmätaren inte vidrör maskinkroppen när du monterar den.

Montera eller demontera dammuppsamlingssystemet

Dra i maskinen samtidigt som du trycker på upplåsningsknappen för att demontera dammuppsamlingssystemet. För att montera det trycker du in maskinen hela vägen in i dammuppsamlingssystemet tills det klickar på plats.

► **Fig.19:** 1. Startspärr

Dammuppsamlare

Extra tillbehör

Använd dammuppsamlaren för att förhindra att damm faller över maskinen och dig själv när du borrar över huvudet. Sätt fast dammuppsamlaren enligt figuren. Följande borrhörlekar kan användas med dammuppsamlaren.

Modell	Borrdiameter
Dammuppsamlare 5	6 mm - 14,5 mm
Dammuppsamlare 9	12 mm - 16 mm

► **Fig.20:** 1. Dammuppsamlare

Dammuppsamlarsats

Extra tillbehör

Ta bort borret från maskinen (om monterat) innan du monterar dammuppsamlarsatsen. Montera dammuppsamlarsatsen (tillbehör) på maskinen så att symbolen \triangle på dammuppsamlaren är i linje med spåret i maskinen.

► **Fig.21:** 1. \triangle symbol 2. Spår

OBS: Om du ansluter en dammsugare till dammuppsamlarsatsen måste du förs ta bort dammlocket.

► **Fig.22:** 1. Dammlock

För att ta bort dammuppsamlarsatsen måste du först ta bort borret samtidigt som du drar chuckskyddet i pilens riktning.

► **Fig.23:** 1. Borr 2. Chuckhölje

Ta tag i dammuppsamlarens nederdel och dra ut den. ► **Fig.24**

OBS: Om locket lossar från dammuppsamlaren monteras det tillbaka med den tryckta sidan uppåt så att spåren i locket passar med tillbehöret.

► **Fig.25**

ANVÄNDNING

⚠ FÖRSIKTIGT: Använd alltid sidohandtaget (extrahandtaget) och håll maskinen stadigt med både sidohandtaget och pistolhandtaget när du borrar.

⚠ FÖRSIKTIGT: Se alltid till att arbetsstycket sitter ordentligt fast innan användning.

⚠ FÖRSIKTIGT: Dammuppsamlingssystemet är endast avsett för borring i betong. Använd inte dammuppsamlingssystemet vid borring i metall eller trä.

⚠ FÖRSIKTIGT: När du använder maskinen med dammuppsamlingssystemet måste du se till att montera filtret till dammuppsamlingssystemet för att förhindra att du andas in damm.

⚠ FÖRSIKTIGT: Innan du använder dammuppsamlingssystemet måste du kontrollera att filtret inte är skadat. I annat fall kan du andas in damm.

⚠ FÖRSIKTIGT: Dammuppsamlingssystemet samlar in det damm som skapas i stor utsträckning, men allt damm kan inte samlas in.

OBSERVERA: Använd inte dammuppsamlingssystemet vid borring med krona eller vid mejsling.

OBSERVERA: Använd inte dammuppsamlingssystemet vid borring i våt betong eller använd det i fuktiga miljöer. Detta kan leda till felfunktion.

► **Fig.26**

Slagborring

⚠ FÖRSIKTIGT: Maskinen/borrbitsen utsätts för en plötslig och oerhört stor vridande kraft vid hålgenomslaget, när hålet fylls av spån och partiklar eller när du slår ner förstärkningar i cement. **Använd alltid sidohandtaget (extrahandtaget) och håll maskinen stadigt med både sidohandtaget och pistolhandtaget när du borrar.** I annat fall är det lätt hänt att du förlorar kontrollen över maskinen, och allvarliga personskador kan då uppstå.

Ställ reglaget för byte av arbetsläge till symbolen \uparrow . Placera borret där hålet ska vara och tryck sedan in avtryckaren. Tryck inte hårt med maskinen. Lätt tryck ger bäst resultat. Håll maskinen i läge och hindra den från att glida iväg från hålet.

Tryck inte hårdare när hålet fylls med spån eller partiklar. Kör istället maskinen på tomgång, och ta sedan delvis ut borret ur hålet. Genom att upprepa detta flera gånger rensas hålet och normal borring kan återupptas.

OBS: Ojämn rotation av borret kan förekomma om maskinen körs utan belastning. Maskinen centrerar sig automatiskt under arbetet. Detta påverkar inte borringens noggrannhet.

Huggmejsling/gradmejsling/demolering

Ställ reglaget för byte av arbetsläge till symbolen \uparrow . Håll verktyget stadigt med båda händerna. Starta maskinen och håll fast den så att den inte studsar omkring okontrollerat. Det är inte mer effektivt att trycka extremt hårt på verktyget.

► **Fig.27**

Borring i trä eller metall

⚠ FÖRSIKTIGT: Håll ett stadigt tag i maskinen och var försiktig när borret börjar tränga igenom arbetsstycket. Det utvecklas en enorm kraft på maskinen/borret vid hålgenomslaget.

⚠ FÖRSIKTIGT: Ett borr som fastnat kan enkelt backas ur genom att reversera borringens rotationsriktning. Maskinen kan dock plötsligt backa ut om du inte håller i den ordentligt.

⚠ FÖRSIKTIGT: Fäst alltid arbetsstycken i ett stöd eller liknande fasthållningsanordningar.

OBSERVERA: Använd aldrig "slagborring" när den vanliga borrchucken är monterad på maskinen. Borrchucken kan skadas. Den kommer också att lossna om maskinen körs i reverseringsläge.

OBSERVERA: Borringen går inte fortare för att du trycker hårdare på maskinen. Detta extra tryck skadar bara toppen på ditt borr, sänker maskinens prestanda och förkortar maskinens livslängd.

Ställ reglaget för byte av arbetsläge till symbolen \uparrow .

För HR2650/HR2651/HR2661

Extra tillbehör

Fäst chuckadaptorn till en nyckellös borrchuck i vilken en skruv med storlek 1/2"-20 kan monteras och montera dem därefter i maskinen. Se avsnittet "Montering eller demontering av borr" vid montering.
► **Fig.28:** 1. Nyckellös borrchuck 2. Chuckadapter


För HR2651T

Använd snabbchucken för borr som standardutrustning. För montering, se "Byte av snabbchuck för SDS-Plus". Håll i ringen och vrid hylsan moturs för att öppna spännbackarna. Skjut in borret i chocken så långt det går. Håll fast ringen ordentligt och vrid hylsan medurs för att dra åt chocken.
► **Fig.29:** 1. Hylsa 2. Ring

När du vill lossa biten, håll i ringen och vrid hylsan moturs.

Borring med diamantrona

OBSERVERA: Om borring med diamantrona genomförs i funktionsläget "slagborring", kan borret med diamantrona skadas.

Ställ alltid funktionsreglaget till läget  för att använda funktionen "endast borring", när borring med diamantrona skall genomföras.

Borttagning av damm

⚠ FÖRSIKTIGT: Se alltid till att maskinen är avstängd och nätsladden urdragen innan maskinen repareras.

⚠ FÖRSIKTIGT: Se till att använda andningsmask när du slänger damm.

⚠ FÖRSIKTIGT: Töm dammbehållaren regelbundet innan den blir full. Om du inte gör det blir dammuppsamlarens prestanda sämre och leder till inhalation av damm.

⚠ FÖRSIKTIGT: Dammuppsamlarens prestanda blir sämre om filtret i dammbehållaren är igensatt. Byt som regel filter efter ungefär 200 dammuppsamlingscykler. I annat fall kan du andas in damm.

1. Ta bort dammbehållaren samtidigt som du trycker ner spaken på dammbehållaren.
► **Fig.30:** 1. Spärr
2. Öppna locket på dammbehållaren.
► **Fig.31:** 1. Lock
3. Släng dammet och gör rent filtret.
► **Fig.32**

OBSERVERA: Vid rengöring av filtret får du inte vidröra det med en borste eller liknande, eller blåsa på det med tryckluft. I annat fall kan filtret ta skada.

Gummituta

Extra tillbehör

Efter att hålet borrats klart används gummitutan för att blåsa rent hålet.
► **Fig.33**

Använda dammuppsamlarsatsen

Extra tillbehör

Montera dammuppsamlarsatsen vänd mot taken när du använder maskinen.

► **Fig.34**

OBSERVERA: Använd inte dammuppsamlare vid borring i metall eller liknande. Det kan skada dammuppsamlaren p.g.a. den värme som alstras av små metallspån eller liknande.

OBSERVERA: Montera/demontera inte dammuppsamlaren med borret monterat i chocken. Det kan skada dammuppsamlarsatsen och leda till dammläckage.

UNDERHÅLL

⚠ FÖRSIKTIGT: Se alltid till att maskinen är avstängd och nätkabeln urdragen innan inspektion eller underhåll utförs.

OBSERVERA: Använd inte bensin, förtunningsmedel, alkohol eller liknande. Missfärgning, deformation eller sprickor kan uppstå.

För att upprätthålla produktens SÄKERHET och TILLFÖRLITLIGHET bör allt underhålls- och justeringsarbete utföras av ett auktoriserat Makita servicecenter och med reservdelar från Makita.

Byte filter i dammbehållaren

1. Ta bort dammbehållaren samtidigt som du trycker ner spaken på dammbehållaren.
► **Fig.35:** 1. Spärr
2. Sätt i en skruvmejsel med platt huvud i öppningen i filterhöljet för att ta bort filterbehållaren och filtret.
► **Fig.36:** 1. Skruvmejsel med platt huvud
2. Filterhölje
3. Ta bort filtret från filterhöljet.
► **Fig.37:** 1. Filter 2. Filterhölje
4. Sätt i ett nytt filter i filterhöljet och sätt därefter tillbaka det i dammbehållaren. Rikta in den utskjutande delen på filterbehållaren med spåret i dammbehållaren.
► **Fig.38:** 1. Utskjutande del 2. Spärr
5. Stäng dammbehållarens hölje och fäst det i maskinen igen.

Byte ut tätninglocket

Om tätninglocket är utslitet minskar dammuppsamlarens prestanda. Byt ut det om det är slitet. Ta bort tätninglocket och sätt dit ett nytt med den utskjutande delen vänd uppåt.

► **Fig.39:** 1. Utskjutande del 2. Tätninglock

VALFRIA TILLBEHÖR

⚠ FÖRSIKTIGT: Följande tillbehör eller tillsatser rekommenderas för användning med den Makita-maskin som denna bruksanvisning avser. Om andra tillbehör eller tillsatser används kan det uppstå risk för personskador. Använd endast tillbehören eller tillsatserna för de syften de är avsedda för.

Kontakta ditt lokala Makita servicecenter om du behöver ytterligare information om dessa tillbehör.

- Borr med karbidspets (SDS-Plus-borr med karbidspets)
- Borrkrona
- Spetsmejsel
- Borr med diamantkrona
- Kallmejsel
- Gradmejsel
- Spårmejsel
- Chuckadapter
- Nyckellös borrchuck
- Smörjfett för borr
- Djupmått
- Gummituta
- Dammuppsamlare
- Dammuppsamlarsats
- Skyddsglasögon
- Förvaringsväska av plast

OBS: Några av tillbehören i listan kan vara inkluderade i maskinpaketet som standardtillbehör. De kan variera mellan olika länder.

TEKNISKE DATA

Modell:		HR2650	HR2651	HR2651T	HR2661
Kapasitet	Betong	26 mm			
	Kjernebor	68 mm			
	Diamantkjernebor (tørr type)	80 mm			
	Stål	13 mm			
	Tre	32 mm			
Hastighet uten belastning		0 - 1 200 min ⁻¹			0 - 1 100 min ⁻¹
Slag per minutt		0 - 4 600 min ⁻¹			0 - 4 500 min ⁻¹
Total lengde		604 mm		630 mm	666 mm
Nettovekt		3,0–4,1 kg	3,1 - 4,2 kg		3,2 - 4,4 kg
Sikkerhetsklasse		□/II			

- På grunn av vårt kontinuerlige forsknings- og utviklingsprogram kan spesifikasjonene som oppgis i dette dokumentet endres uten varsel.
- Spesifikasjonene kan variere fra land til land.
- Vekten kan variere avhengig av tilbehør/tilbehørene. Den letteste og tyngste kombinasjonen, i henhold til EPTA-prosedyre 01/2014, vises i tabellen.

Riktig bruk

Verktøyet er beregnet på hammerboring og boring i mur, betong og stein.

Det er også egnet for boring uten slag i tre, metall, keramikk og plast.

Strømforsyning

Maskinen må bare kobles til en strømkilde med samme spenning som vist på typeskiltet, og kan bare brukes med enfase-vekselstrømforsyning. Den er dobbelt verneisoleret og kan derfor også brukes fra kontakter uten jording.

Støy

Typisk A-vektet lydtrykknivå er bestemt i henhold til EN60745:

Modell HR2650

Lydtrykknivå (L_{pA}): 91 dB (A)

Lydeffektnivå (L_{WA}): 102 dB (A)

Usikkerhet (K): 3 dB (A)

Modell HR2651

Lydtrykknivå (L_{pA}): 92 dB (A)

Lydeffektnivå (L_{WA}): 103 dB (A)

Usikkerhet (K): 3 dB (A)

Modell HR2651T

Lydtrykknivå (L_{pA}): 92 dB (A)

Lydeffektnivå (L_{WA}): 103 dB (A)

Usikkerhet (K): 3 dB (A)

Modell HR2661

Lydtrykknivå (L_{pA}): 90 dB (A)

Lydeffektnivå (L_{WA}): 101 dB (A)

Usikkerhet (K): 3 dB (A)

⚠ ADVARSEL: Bruk hørselsvern.

Vibrasjoner

Den totale vibrasjonsverdien (triaksial vektorsum) bestemt i henhold EN60745:

Modell HR2650

Arbeidsmodus: Hammerboring inn i betong

Genererte vibrasjoner ($a_{h,HD}$): 12,5 m/s²

Usikkerhet (K): 1,5 m/s²

Arbeidsmodus: meiselfunksjon med støttehåndtak

Genererte vibrasjoner ($a_{h,Cheq}$): 9,5 m/s²

Usikkerhet (K): 1,5 m/s²

Arbeidsmodus: Bore inn i metall

Genererte vibrasjoner ($a_{h,D}$): 2,5 m/s²

Usikkerhet (K): 1,5 m/s²

Modell HR2651

Arbeidsmodus: slagboring i betong

Genererte vibrasjoner ($a_{h,HD}$): 11,5 m/s²

Usikkerhet (K): 1,5 m/s²

Arbeidsmodus: meiselfunksjon med støttehåndtak

Genererte vibrasjoner ($a_{h,Cheq}$): 9,0 m/s²

Usikkerhet (K): 1,5 m/s²

Arbeidsmodus: boring i metall

Genererte vibrasjoner ($a_{h,D}$): 2,5 m/s²

Usikkerhet (K): 1,5 m/s²

Modell HR2651T

Arbeidsmodus: slagboring i betong

Genererte vibrasjoner ($a_{h,HD}$): 11,5 m/s²

Usikkerhet (K): 1,5 m/s²

Arbeidsmodus: meiselfunksjon med støttehåndtak

Genererte vibrasjoner ($a_{h,Cheq}$): 9,0 m/s²

Usikkerhet (K): 1,5 m/s²

Arbeidsmodus: boring i metall

Genererte vibrasjoner ($a_{h,D}$): 2,5 m/s²

Usikkerhet (K): 1,5 m/s²

Modell HR2661

Arbeidsmodus: slagboring i betong

Genererte vibrasjoner ($a_{h,HD}$): 9,5 m/s²

Usikkerhet (K): 1,5 m/s²

Arbeidsmodus: meiselfunksjon med støttehåndtak

Genererte vibrasjoner ($a_{h, Cheq}$): $6,0 \text{ m/s}^2$

Usikkerhet (K): $1,5 \text{ m/s}^2$

Arbeidsmodus: boring i metall

Genererte vibrasjoner ($a_{h,D}$): $2,5 \text{ m/s}^2$ eller mindre

Usikkerhet (K): $1,5 \text{ m/s}^2$

MERK: Den angitte verdien for de genererte vibrasjonene er målt i samsvar med standardtestmetoden og kan brukes til å sammenlikne et verktøy med et annet.

MERK: Den angitte verdien for de genererte vibrasjonene kan også brukes til en foreløpig vurdering av eksponeringen.

⚠ ADVARSEL: De genererte vibrasjonene ved faktisk bruk av elektroverktøyet kan avvike fra den angitte vibrasjonsverdien, avhengig av hvordan verktøyet brukes.

⚠ ADVARSEL: Sørg for å identifisere vernetiltak for å beskytte operatøren, som er basert på et estimat av eksponeringen under de faktiske bruksforholdene (idet det tas hensyn til alle deler av driftssyklusen, dvs. hvor lenge verktøyet er slått av, hvor lenge det går på tomgang og hvor lenge startbryteren faktisk holdes trykket).

EFs samsvarserklæring

Gjelder kun for land i Europa

EFs samsvarserklæring er lagt til som vedlegg A i denne bruksanvisningen.

SIKKERHETSADVARSEL

Generelle advarsler angående sikkerhet for elektroverktøy

⚠ ADVARSEL: Les alle sikkerhetsadvarsler, instruksjoner, illustrasjoner og spesifikasjoner som følger med dette elektroverktøyet. Hvis ikke alle instruksjonene nedenfor følges, kan det forekomme elektrisk støt, brann og/eller alvorlig skade.

Oppbevar alle advarsler og instruksjoner for senere bruk.

Uttrykket «elektrisk verktøy» i advarslene refererer både til elektriske verktøy (med ledning) tilkoblet strømmettet, og batteridrevne verktøy (uten ledning).

SIKKERHETSADVARSLER FOR BORHAMMER

1. **Bruk hørselsvern.** Støy kan føre til nedsatt hørsel.
2. **Bruk hjelpehåndtak, hvis det (de) følger med maskinen.** Hvis maskinen kommer ut av kontroll, kan det resultere i helseskader.

3. **Hold maskinen i det isolerte håndtaket når skjæreverktøyet kan komme i kontakt med skjulte ledninger eller maskinens egen ledning under arbeidet.** Hvis kutteutstyret kommer i kontakt med "strømførende" ledninger, kan ikke-isolerte metalldeleer i maskinen bli "strømførende" og kunne gi brukeren elektrisk støt.
4. **Bruk hjelm, vernebriller og/eller ansiktsmaske.** Vanlige briller og solbriller er **IKKE** vernebriller. Det anbefales også på det sterkeste å bruke støvmaske og kraftig polstrede hansker.
5. **Vær sikker på at boret er skikkelig festet før du starter verktøyet.**
6. **Verktøyet er laget slik at det vil vibrere under vanlig bruk.** Skruene kan lett løsne, noe som kan forårsake et verktøysammenbrudd eller en ulykke. Før bruk må du derfor kontrollere grundig at skruene ikke er løse.
7. **I kaldt vær, eller når verktøyet ikke har vært i bruk på lenge, må du varme opp verktøyet ved å la det gå en stund uten belastning.** Dette vil myke opp smøremiddelet. Hvis verktøyet ikke er skikkelig oppvarmet, vil det være vanskelig å bruke hammeren.
8. **Pass på at du har godt fotfeste.** Forviss deg om at ingen står under deg når du jobber høyt over bakken.
9. **Hold maskinen godt fast med begge hender.**
10. **Hold hendene unna bevegelige deler.**
11. **Ikke gå fra verktøyet mens det er i gang.** Verktøyet må bare brukes mens operatøren holder det i hendene.
12. **Ikke rett verktøyet mot personer i nærheten mens det er i bruk.** Boret kan fly ut og skade noen alvorlig.
13. **Ikke berør boret eller meiselen, eller deler i nærheten av boret eller meiselen, eller arbeidsstykket umiddelbart etter at verktøyet har vært i bruk, da disse kan være ekstremt varme og kan gi brannskader.**
14. **Enkelte materialer inneholder kjemikalier som kan være giftige.** Treff tiltak for å hindre hudkontakt og innånding av støv. Følg leverandørens sikkerhetsanvisninger.
15. **Ikke berør nettpluggen med våte hender.**

TA VARE PÅ DISSE INSTRUKSENE.

⚠ ADVARSEL: IKKE LA hensynet til hva som er "behagelig" eller det faktum at du kjenner produktet godt (etter mange gangers bruk) gjøre deg mindre oppmerksom på sikkerhetsreglene for bruken av det aktuelle produktet. Ved MISBRUK eller hvis ikke sikkerhetsreglene i denne bruksanvisningen følges, kan det oppstå alvorlig personskade.

FUNKSJONSBEKRIVELSE

⚠FORSIKTIG: Forviss deg alltid om at maskinen er slått av og støpselet trukket ut av kontakten før du justerer eller kontrollerer de mekaniske funksjonene.

Bryterfunksjon

⚠FORSIKTIG: Før du kobler maskinen til strømmen, må du alltid kontrollere at startbryteren aktiverer maskinen på riktig måte og går tilbake til «AV»-stilling når den slippes.

⚠FORSIKTIG: Bryteren kan sperres i "ON"-stilling, for å gjøre det lettere for operatøren ved langvarig bruk. Vær forsiktig når du sperrer verktøyet i "ON"-stilling, og hold det godt fast.

► Fig.1: 1. Startbryter 2. Avsperringsknapp

► Fig.2: 1. Startbryter 2. Sperreknapp

Trykk på startbryteren for å starte verktøyet. Verktøyet hastighet øker når du trykker hardere på startbryteren. Slipp bryteren for å stanse verktøyet.

Når verktøyet skal brukes kontinuerlig, må du trykke inn startbryteren, trykke inn sperreknappen og deretter slippe startbryteren. Hvis du vil stanse verktøyet mens det er låst i "PA"-stilling, må du trykke startbryteren helt inn og så slippe den igjen.



Reverseringsfunksjon

⚠FORSIKTIG: Før arbeidet begynner, må du alltid kontrollere rotasjonsretningen.

OBS: Bruk reversbryteren bare etter at verktøyet har stoppet helt. Hvis du endrer rotasjonsretningen før verktøyet har stoppet, kan det bli ødelagt.


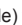
OBS: Hvis startbryteren ikke kan trykkes inn, må du kontrollere om reversbryteren er stilt helt inn i stilling  /  (A-side) eller  /  (B-side).

For HR2650/HR2651/HR2651T

Dette verktøyet har en reversbryter som kan brukes til å endre rotasjonsretningen. Beveg reversbryterspaken til posisjon  (A-side) for å velge rotasjon med klokken eller til posisjon  (B-side) for å velge rotasjon mot klokken.

► Fig.3: 1. Reverseringsspak

For HR2661

Dette verktøyet har en reversbryter som kan brukes for å endre rotasjonsretningen. Beveg reverseringsspaken til stilling  (A-side) for å velge rotasjon med klokken eller til stilling  (B-side) for å velge rotasjon mot klokken.

► Fig.4: 1. Reverseringsspak

MERK: Når du bruker verktøyet med rotasjon mot klokken, er startbryteren trykket bare halvveis inn, og maskinen går med halv hastighet. Ved rotasjon mot klokken, kan ikke sperreknappen trykkes inn.



Skifte hurtigskiftskjoksen for SDS-pluss

For HR2651T

Hurtigskiftskjoksen for SDS-pluss kan enkelt skiftes ut med hurtigskiftsborekjoksen.




Fjerne hurtigskiftskjoksen for SDS-pluss

⚠FORSIKTIG: Før du fjerner hurtigskiftskjoksen for SDS-pluss, må du alltid fjerne boret.

Ta tak i endringsdekslet på hurtigskiftskjoksen for SDS-pluss, og dreii i pilens retning til endringsdeksellinjen flyttes fra -symbol til -symbolet. Dra hardt i pilens retning.

► Fig.5: 1. Hurtigskiftskjoks for SDS-pluss
2. Endringsdeksel 3. Endringsdeksellinje

Montere hurtigskiftsborekjoksen

Kontroller at linjen på hurtigskiftsborekjoksen viser -symbolet. Ta tak i endringsdekslet på hurtigskiftskjoksen, og sett linjen på -symbolet. Sett hurtigskiftsborekjoksen på verktøyet spindel. Ta tak i endringsdekslet på hurtigskiftskjoksen, og dreii endringsdeksellinjen til -symbolet til du hører et klikk.


► Fig.6: 1. Hurtigskiftsborekjoks 2. Spindel
3. Endringsdeksellinje 4. Endringsdeksel

Velge en funksjon

OBS: Ikke dreii på funksjonsvelgeren mens verktøyet sviver. Verktøyet blir ødelagt.


OBS: For å unngå hurtig slitasje av funksjonsvelgermekanismen, må du passe på at funksjonsvelgeren alltid er plassert skikkelig i én av de tre funksjonsposisjonene.

Rotasjon med hammerboring

Når du skal bore i betong, mur osv., må du dreie funksjonsvelgeren til den peker på -symbolet. Bruk et bor med wolframkarbidspiss (valgfritt tilbehør).


► Fig.7: 1. Rotasjon med hammerboring
2. Funksjonsvelger

Bare rotasjon

Når du skal bore i tre, metall eller plastmaterialer, må du dreie funksjonsvelgeren til den peker på -symbolet. Bruk et spiralbor eller trebor.

► Fig.8: 1. Bare rotasjon

Bare hammerboring

Når du skal meisle, pikke eller brette, må du dreie funksjonsvelgeren til den peker på -symbolet. Bruk en spissmeisel, flatmeisel, bredmeisel, osv.

► Fig.9: 1. Bare hammerboring

Justere munnstykkets stilling

Skv inn føringen samtidig som du trykker på føringsjusteringsknappen, og deretter slipper du knappen i ønsket stilling.

► **Fig.10:** 1. Føring 2. Føringsjusteringsknapp

MERK: Før du justerer munnstykkets stilling, slipper du munnstykket helt frem ved å trykke på føringsjusteringsknappen.

Justere boreddybden

Skv dybdejusteringsknappen til ønsket stilling samtidig som du trykker på den. Avstanden (A) er boreddybden.

► **Fig.11:** 1. Dybdejusteringsknapp

Momentbegrenser

OBS: Så snart momentbegrenseren aktiveres, må du umiddelbart slå av verktøyet. Dette vil hjelpe deg til å unngå at verktøyet blir for tidlig slitt.

OBS: Bor, som f.eks. en stikksag, som har en tendens til å bli klemt eller sette seg fast i hullet, passer ikke for dette verktøyet. Det kommer av at momentbegrenseren da vil aktiveres for ofte.

Momentbegrenseren aktiveres når et bestemt momentnivå blir nådd. Motoren vil da frikobles fra utgående aksel. Når dette skjer, vil boret slutte å rotere.

Krok

⚠FORSIKTIG: Verktøyet må aldri henges på kroken høyt over bakken eller på en potensielt ustabil overflate.

For HR2661

► **Fig.12:** 1. Bøyle

Kroken er praktisk å henge verktøyet på over kortere tid. Når du skal bruke kroken, trenger du bare løfte den opp til den åpner seg. Når kroken ikke skal brukes på en stund, må du alltid senke den så den lukker seg.

MONTERING

⚠FORSIKTIG: Forviss deg alltid om at maskinen er slått av og støpselet trukket ut av kontakten før du utfører noe arbeid på maskinen.

Støttehåndtak (hjelpelandtak)

⚠FORSIKTIG: Bruk alltid støttehåndtaket for å bruke verktøyet på en sikker måte.

⚠FORSIKTIG: Når du har montert eller justert støttehåndtaket, må du passe på at støttehåndtaket sitter godt fast.

Monter støttehåndtaket slik at sporene på håndtaket passer inn i fremspringene på verktøysylindren. Drei håndtaket med klokken for å feste det. Håndtaket kan festes i ønsket vinkel.

► **Fig.13:** 1. Støttehåndtak

Smørefett

Smør den innerste delen av endeskaffet på boret med litt fett (ca. 0,5 - 1 g). Denne kjokssmøringen sikrer jevn rotasjon og lengre levetid.

Montere eller fjerne boret

Rengjør den innerste delen av endeskaffet på boret, og påfør fett før du monterer boret.

► **Fig.14:** 1. Endeskaff 2. Smørefett

Sett inn boret i verktøyet. Vri og skv på boret inntil det sitter. Etter montering av boret må du alltid forsikre deg om at boret sitter som det skal ved å prøve å dra det ut.

► **Fig.15:** 1. Bor

Ta ut boret ved å trekke kjoksdekselet helt ned og dra ut boret.

► **Fig.16:** 1. Bor 2. Kjoksdekselet

Meiselvinkel (ved meisling, pikking eller brekking)

Meiselen kan festes i ønsket vinkel. For å endre meiselvinkelen må du dreie funksjonsvelgeren til den peker på O-symbolet. Drei meiselen til ønsket vinkel.

► **Fig.17:** 1. Funksjonsvelger

Drei funksjonsvelgeren til den peker på T-symbolet. Deretter må du dreie meiselen litt for å forvise deg om at den sitter godt.

Dybdemåler

Dybdemåleren er praktisk for boring av flere hull med samme dybde. Løsne støttehåndtaket, og sett dybdemåleren inn i hullet i støttehåndtaket. Juster dybdemåleren til ønsket dybde, og trekk støttehåndtaket godt til.

► **Fig.18:** 1. Hull 2. Dybdemåler

MERK: Pass på at dybdemåleren ikke berører verktøyet hoveddel når du fester den.

Montere eller fjerne støvsamlersystemet

Når du vil fjerne støvsamlersystemet, drar du i verktøyet samtidig som du trykker på AV-sperreknappen. Når du vil montere det, setter du verktøyet helt inn i støvsamlersystemet til det låser seg på plass med en lavt klikk.

► **Fig.19:** 1. AV-sperreknapp

Støvkopp

Valgfritt tilbehør

Bruk støvkoppen for å unngå støv på verktøyet og deg selv når du borer med verktøyet over hodet. Fest støvkoppen til boret som vist i figuren. Støvkoppen kan festes til følgende borstørrelser:


Modell	Bordiameter
Støvkopp 5	6 mm - 14,5 mm
Støvkopp 9	12 mm - 16 mm

► **Fig.20:** 1. Støvkopp

Støvkoppsett

Valgfritt tilbehør

Før du monterer støvbeholdersettet må du fjerne boret fra verktøyet hvis det står i.

Monter støvkoppsettet på verktøyet slik at -symbolet på støvkoppen innrettes med sporet i verktøyet.

► **Fig.21:** 1. -symbol 2. Spor

MERK: Hvis du kobler en støvsuger til støvkoppsettet, må du ta av støvdekelet før du kobler den til.

► **Fig.22:** 1. Støvdeksel

Når du vil fjerne støvkoppsettet, fjerner du boret samtidig som du drar kjoksdekelet i pilens retning.

► **Fig.23:** 1. Bor 2. Kjoksdeksel

Ta tak i foten på støvkoppen, og dra den ut.

► **Fig.24**

MERK: Hvis dekelet løsner fra støvkoppen, fester du det med den trykte siden vendt oppover slik at sporet på dekelet passer med innsiden av tilbehøret.

► **Fig.25**

BRUK

⚠FORSIKTIG: Bruk alltid støttehåndtaket (hjelpehåndtaket), og hold maskinen støtt med både støttehåndtak og hovedhåndtak når du bruker den.

⚠FORSIKTIG: Sørg alltid for at arbeidsstykket sitter godt fast før du går i gang.

⚠FORSIKTIG: Støvsamlersystemet er kun beregnet på boring i betong. Ikke bruk støvsamlersystemet når du borer i metall eller tre.

⚠FORSIKTIG: Når du bruker verktøyet med støvsamlersystemet, må du passe på å feste filteret på støvsamlersystemet for å forebygge innånding av støv.

⚠FORSIKTIG: Før du bruker støvsamlersystemet, må du kontrollere at filteret ikke er skadet. Hvis ikke, kan det føre til innånding av støv.

⚠FORSIKTIG: Støvsamlersystemet samler opp det genererte støvet svært raskt, men det klarer ikke å samle opp alt støv.

OBS: Ikke bruk støvsamlersystemet til kjerneboring eller meisling.

OBS: Ikke bruk støvsamlersystemet når du skal bore i våt betong, og det skal heller ikke brukes i våte miljøer. Det kan føre til at støvsamlersystemet slutter å fungere som det skal.

► **Fig.26**

Slagborfunksjon

⚠FORSIKTIG: Verktøyet/boret utsettes for voldsomme og plutselige vridninger i det øyeblikket det bores hull, når hullet fylles opp av biter og partikler, eller når du treffer armeringsjernet i betongen. **Bruk alltid støttehåndtaket (hjelpehåndtaket), og hold maskinen støtt med både støttehåndtak og hovedhåndtak når du bruker den.** Hvis du ikke gjør det, kan du miste kontrollen og potensielt risikere alvorlige skader.

Still funksjonsvelgeren på -symbolet.

Plasser boret der du vil bore hullet, og trykk så på startbryteren. Ikke bruk makt. Lett trykk gir de beste resultatene. Hold verktøyet i riktig posisjon, og sørg for at det ikke glir bort fra hullet.

Ikke legg mer press på verktøyet når hullet fylles av biter eller partikler. La i stedet verktøyet gå på tomgang, og trekk deretter boret delvis ut av hullet. Ved å gjenta dette flere ganger, vil hullet rengjøres, og normal boring kan gjenopptas.

MERK: Hvis verktøyet brukes uten belastning, kan det forekomme kast i borrotasjonen. Under bruk sentrerer verktøyet seg automatisk. Dette påvirker ikke borenøyaktigheten.

Meisling/avskalling/neddriving

Still funksjonsvelgeren på -symbolet.

Hold verktøyet godt fast med begge hender. Slå på verktøyet, og legg trykk på det slik at det ikke beveger seg ukontrollert.

Hvis du trykker for hardt, blir verktøyet mindre effektivt.

► **Fig.27**

Boring i treverk eller metall

⚠FORSIKTIG: Hold verktøyet i et fast grep, og vær forsiktig når skrutrekkerboret begynner å bryte gjennom arbeidsstykket. I gjennombruddsøyeblikket virker det en enorm kraft på verktøyet/skrutrekkerboret.

⚠FORSIKTIG: Et skrutrekkerbor som sitter fast kan fjernes hvis du setter reversbryteren til motsatt rotasjonsretning, så verktøyet kan bakke ut. Verktøyet kan imidlertid komme brått ut hvis du ikke holder det i et fast grep.

⚠FORSIKTIG: Arbeidsstykker må alltid festes med en skrustikke eller en liknende festeanordning.

OBS: "Rotasjon med hammerboring" må ikke brukes når borekjoksen er montert på verktøyet. Borekjoksen kan bli ødelagt. I tillegg løsner borekjoksen når verktøyet reverseres.

OBS: Hvis du bruker for mye kraft på verktøyet, vil det ikke øke borehastigheten. Overdreven bruk av kraft vil tvert imot kunne bidra til å ødelegge spisen av skrutrekkerboret, redusere verktøyeffekten og forkorte verktøyet levetid.

Sett funksjonsvelgeren på -symbolet.

For HR2650/HR2651/HR2661

Valgfritt tilbehør

Koble kjoksadapteren til en nøkkelfri borekjoks som skrues med en størrelse på 1/2"-20 kan festes til, og monter dem deretter på verktøyet. Når du monterer den, se delen "Montere eller fjerne boret".

► **Fig.28:** 1. Nøkkelfri borekjoks 2. Kjoksadapter

For HR2651T

Bruk hurtigskiftsborekjoksen som standardutstyr. Når du monterer den, se "Skifte hurtigskiftskjoksen for SDS-plus".


Hold ringen, og dreii hylsen mot klokken for å åpne kjevene på kjoksen. Sett boret så langt inn i kjoksen som mulig. Hold ringen godt fast, og dreii hylsen med klokken for å stramme kjoksen.

► **Fig.29:** 1. Hylse 2. Ring

Du kan fjerne boret ved å holde i ringen og dreie hylsen mot klokken.

Diamantkjerneboring

OBS: Hvis du foretar diamantkjerneboring med funksjonen "rotasjon med hammerboring", kan diamantkjerneboret bli skadet.

Ved diamantkjerneboring må du alltid sette funksjonsvelgeren i -posisjonen for å bruke "bare rotasjon"-funksjonen.

Avhending av støv

⚠FORSIKTIG: Forviss deg alltid om at maskinen er slått av og støpselet trukket ut av kontakten før du utfører noe arbeid på maskinen.

⚠FORSIKTIG: Bruk en støvmaske når du avhender støv.

⚠FORSIKTIG: Tøm støvbeholderen jevnlig før den blir helt full. Hvis ikke, kan støvsamlerens ytelse svekkes og føre til innånding av støv.

⚠FORSIKTIG: Støvsamlerens ytelse stopper opp hvis filteret i støvbeholderen blir tilstoppet. Gjør det til en vane å erstatte filteret med et nytt etter ca. 200 driftstimer. Hvis ikke, kan det føre til innånding av støv.

1. Ta ut støvbeholderen mens du trykker ned hendelen på støvbeholderen.

► **Fig.30:** 1. Hendel

2. Åpne dekelet på støvbeholderen.

► **Fig.31:** 1. Deksel

3. Avhend støvet, og rengjør filteret.

► **Fig.32**

OBS: Når du rengjør filteret, må du ikke berøre filteret med en kost eller lignende, eller blåse trykkluft på filteret. Dette kan skade filteret.

Utblåsningsballong

Valgfritt tilbehør

Etter at du har boret et hull, må du bruke utblåsningsballongen til å fjerne støv fra hullet.

► **Fig.33**

Bruke støvkoppsettet

Valgfritt tilbehør

Monter støvkoppsettet mot taket når du bruker verktøyet.

► **Fig.34**

OBS: Ikke bruk verktøyet med støvkoppsettet når du borer i metall eller lignende. Det kan skade støvkoppsettet på grunn av varmen som metallstøvet eller lignende avgir.

OBS: Ikke monter eller fjern støvkoppsettet mens boret står i verktøyet. Det kan skade støvkoppsettet og føre til støvlekkasje.

VEDLIKEHOLD

⚠FORSIKTIG: Forviss deg alltid om at maskinen er slått av og støpselet trukket ut av kontakten før du foretar inspeksjon eller vedlikehold.

OBS: Aldri bruk gasolin, bensin, tynner alkohol eller lignende. Det kan føre til misfarging, deformering eller sprekke dannelse.

For å opprettholde produktets SIKKERHET og PÅLITELIGHET, må reparasjoner, vedlikehold og justeringer utføres av autoriserte Makita servicesentre eller fabrikk servicesentre, og det må alltid brukes reservedeler fra Makita.

Sette filteret tilbake i støvbeholderen

1. Ta ut støvbeholderen mens du trykker ned hendelen på støvbeholderen.

► **Fig.35:** 1. Hendel

2. Sett et flatt skrujern inn i sporene på filterdekelet slik at du kan fjerne filterhuset og filteret.

► **Fig.36:** 1. Flatt skrujern 2. Filterhus

3. Fjern filteret fra filterhuset.

► **Fig.37:** 1. Filter 2. Filterhus

4. Fest et nytt filter til filterhuset, og fest dem deretter til støvbeholderen samtidig som du innretter fremspringet på filterhuset med utsporingen i støvbeholderen.

► **Fig.38:** 1. Fremspring 2. Spor

5. Lukk dekelet på støvbeholderen, og fest den til verktøyet.

Skifte ut det tettende lokket

Hvis det tettende lokket er utslitt, svekkes støvsamlerens ytelse. Skift det ut hvis det er utslitt. Fjern det tettende lokket, og fest et nytt lokk med frem-springet vendt oppover.

► **Fig.39:** 1. Fremspring 2. Tettende lokk

VALGFRITT TILBEHØR

⚠FORSIKTIG: Det anbefales at du bruker dette tilbehøret eller verktøyet sammen med den Makita-maskinen som er spesifisert i denne håndboken. Bruk av annet tilbehør eller verktøy kan forårsake personskader. Tilbehør og verktøy må kun brukes til det formålet det er beregnet på.

Ta kontakt med ditt lokale Makita-servicesenter hvis du trenger mer informasjon om dette tilbehøret.

- Bor med karbidspiss (SDS-Plus-bor med karbidspiss)
- Kjernebor
- Spissmeisel
- Diamantkjernebor
- Flatmeisel
- Bredmeisel
- Spormeisel
- Kjoksadapter
- Nøkkelfri borekjoks
- Borfett
- Dybdemåler
- Utblåsningsballong
- Støvkopp
- Støvkoppsett
- Vernebriller
- Verktøykoffert av plast

MERK: Enkelte elementer i listen kan være inkludert som standardtilbehør i verktøypakken. Elementene kan variere fra land til land.

TEKNISET TIEDOT

Malli:	HR2650	HR2651	HR2651T	HR2661
Kapasiteetti	Betoni	26 mm		
	Poranterä	68 mm		
	Timanttiporanterä (Kuivatyyppinen)	80 mm		
	Teräs	13 mm		
	Puu	32 mm		
Kuormittamaton kierrosnopeus	0 - 1 200 min ⁻¹		0 - 1 100 min ⁻¹	
Lyöntiä minuutissa	0 - 4 600 min ⁻¹		0 - 4 500 min ⁻¹	
Kokonaispituus	604 mm		630 mm	666 mm
Nettopaino	3,0 - 4,1 kg	3,1 - 4,2 kg	3,2 - 4,4 kg	3,3 - 4,4 kg
Suojausluokka	□/			

- Jatkuvasta tutkimus- ja kehitystyöstämme johtuen esitetyt tekniset tiedot saattavat muuttua ilman erillistä ilmoitusta.
- Tekniset tiedot voivat vaihdella maittain.
- Paino voi olla erilainen lisävarusteista johtuen. EPTA-menettelytavan 01/2014 mukaisesti, taulukossa on kuvattu kevyin ja painavin laiteyhdistelmä.

Käyttötarkoitus

Työkalu on tarkoitettu tiilien, betonin ja kiven iskuporaamiseen.

Se soveltuu myös puun, metallin, keramiikan ja muovin tavanomaiseen poraukseen.

Virtalähde

Koneen saa kytkeä vain sellaiseen virtalähteeseen, jonka jännite on sama kuin arvokilvessä ilmoitettu, ja sitä saa käyttää ainoastaan yksivaiheisella vaihtovirralla. Laitte on kaksinkertaisesti suojaeristetty ja siksi se voidaan kytkeä myös maadoittamattomaan pistorasiaan.

Melutaso

Tyypillinen A-painotettu melutaso määrittyy standardin EN60745 mukaan:

Malli HR2650

Äänenpainetaso (L_{pA}): 91 dB (A)
 Äänen voiman taso (L_{WA}): 102 dB (A)
 Virhemarginaali (K): 3 dB (A)

Malli HR2651

Äänenpainetaso (L_{pA}): 92 dB (A)
 Äänen voiman taso (L_{WA}): 103 dB (A)
 Virhemarginaali (K): 3 dB (A)

Malli HR2651T

Äänenpainetaso (L_{pA}): 92 dB (A)
 Äänen voiman taso (L_{WA}): 103 dB (A)
 Virhemarginaali (K): 3 dB (A)

Malli HR2661

Äänenpainetaso (L_{pA}): 90 dB (A)
 Äänen voiman taso (L_{WA}): 101 dB (A)
 Virhemarginaali (K): 3 dB (A)

VAROITUS: Käytä kuulosuojaimia.

Tärinä

Kokonaistärinä (kolmen akselin vektorien summa) määrittyy standardin EN60745 mukaan:

Malli HR2650

Työtila: betonin iskuporaaminen
 Tärinäpäästö ($a_{h,HD}$): 12,5 m/s²
 Virhemarginaali (K): 1,5 m/s²
 Työtila: talttaaminen suoraa sivukahvaa käyttäen
 Tärinäpäästö ($a_{h,ChEQ}$): 9,5 m/s²
 Virhemarginaali (K): 1,5 m/s²
 Työtila: metalliin poraus
 Tärinäpäästö ($a_{h,D}$): 2,5 m/s²
 Virhemarginaali (K): 1,5 m/s²

Malli HR2651

Työtila: betonin iskuporaaminen
 Tärinäpäästö ($a_{h,HD}$): 11,5 m/s²
 Virhemarginaali (K): 1,5 m/s²
 Työtila: talttaaminen suoraa sivukahvaa käyttäen
 Tärinäpäästö ($a_{h,ChEQ}$): 9,0 m/s²
 Virhemarginaali (K): 1,5 m/s²
 Työtila: metalliin poraus
 Tärinäpäästö ($a_{h,D}$): 2,5 m/s²
 Virhemarginaali (K): 1,5 m/s²

Malli HR2651T

Työtila: betonin iskuporaaminen
 Tärinäpäästö ($a_{h,HD}$): 11,5 m/s²
 Virhemarginaali (K): 1,5 m/s²
 Työtila: talttaaminen suoraa sivukahvaa käyttäen
 Tärinäpäästö ($a_{h,ChEQ}$): 9,0 m/s²
 Virhemarginaali (K): 1,5 m/s²
 Työtila: metalliin poraus
 Tärinäpäästö ($a_{h,D}$): 2,5 m/s²
 Virhemarginaali (K): 1,5 m/s²

Malli HR2661

Työtila: betonin iskuporaaminen

Tärinäpäästö ($a_{h,HD}$): 9,5 m/s²

Virhemarginaali (K): 1,5 m/s²

Työtila: talttaaminen suoraa sivukahvaa käyttäen

Tärinäpäästö ($a_{h,ChEQ}$): 6,0 m/s²

Virhemarginaali (K): 1,5 m/s²

Työtila: metalliin poraus

Tärinäpäästö ($a_{h,D}$): 2,5 m/s² tai alhaisempi

Virhemarginaali (K): 1,5 m/s²

HUOMAA: Ilmoitettu tärinäpäästöarvo on mitattu standarditestaustusmenetelmän mukaisesti, ja sen avulla voidaan vertailla työkaluja keskenään.

HUOMAA: Ilmoitettua tärinäpäästöarvoa voidaan käyttää myös altistumisen alustavaan arviointiin.

VAROITUS: Työkalun käytön aikana mitattu todellinen tärinäpäästöarvo voi poiketa ilmoitetusta tärinäpäästöarvosta työkalun käyttötavan mukaan.

VAROITUS: Selvitä käyttäjän suojaamiseksi tarvittavat varoimet todellisissa käyttöolosuhteissa tapahtuvan arvioidun altistumisen mukaisesti (ottaen huomioon käyttöjaksoko kokonaisuudessaan, myös jaksot, joiden aikana työkalu on sammutettuna tai käy tyhjäkäynnillä).

EY-vaatimustenmukaisuusvakuutus

Koskee vain Euroopan maita

EY-vaatimustenmukaisuusvakuutus on liitetty tähän käyttöoppaaseen.

TURVAVAROITUKSET

Sähkötyökalujen käyttöä koskevat yleiset varoitukset

VAROITUS: Tutustu kaikkiin tämän sähkötyökalun mukana toimitettuihin varoituksiin, ohjeisiin, kuviin ja teknisiin tietoihin. Seuraavassa lueteltujen ohjeiden noudattamatta jättäminen saattaa johtaa sähköiskuun, tulipaloon tai vakavaan vammautumiseen.

Säilytä varoitukset ja ohjeet tulevaa käyttöä varten.

Varoituksissa käytettävällä termillä "sähkötyökalu" tarkoitetaan joko verkkovirtaa käyttävää (johdollista) työkalua tai akkukäyttöistä (johdotonta) työkalua.

PORAVASARAN TURVALLISUUSOHJEET

- Käytä kuulosuojaamia.** Melulle altistuminen saattaa aiheuttaa kuulokyvyn heikentymistä.
- Käytä työkalun mukana mahdollisesti toimitettua lisäkahvaa tai kahvoja.** Hallinnan menetys voi aiheuttaa henkilövahinkoja.

- Pidä sähkötyökalua sen eristetyistä tartuntapinnoista silloin, kun on mahdollista, että sen terä saattaa osua pinnossa oleviin johtoihin tai koneen omaan virtajohtoon.** Jos leikkaustyökalu joutuu kosketukseen jännitteisen johdon kanssa, jännite voi siirtyä työkalun sähköä johtaviin metalliosiin ja aiheuttaa käyttäjälle sähköiskun.
- Käytä kovaa päähinettä (suojaakypärää), suoja-laseja ja/tai kasvosuojusta.** Tavalliset silmä- tai aurinkolasit EIVÄT ole suoja-laseja. Myös hengityssuojaimen ja paksujen käsineiden käyttö on suositeltavaa.
- Varmista ennen työskentelyä aloittamista, että terä on kiinnitetty tiukasti paikoilleen.**
- Laite on suunniteltu siten, että se tärisee normaalkäytössä.** Ruuvit voivat irrota hyvinkin helposti aiheuttaen laitteen rikkoutumisen tai onnettomuuden. Tarkasta ruuvien kireys huolellisesti ennen käyttöä.
- Jos ilma on kylmä tai konetta ei ole käytetty pitkään aikaan, anna sen lämmitä jonkin aikaa tyhjäkäynnillä.** Tämä tehostaa laitteen voitelua. Vasarointi voi olla hankalaa ilman asianmukaista esilämmitystä.
- Seiso aina tukevassa asennossa.** Varmista korkealla työskennellessäsi, että ketään ei ole alapuolella.
- Pidä työkalusta lujasti molemmin käsin.**
- Pidä kädet poissa liikkuvien osien luota.**
- Älä jätä työkalua käymään itseksensä.** Käytä laitetta vain silloin, kun pidät sitä kädessä.
- Älä osoita laitteella ketään, kun käytät sitä.** Terä saattaa lennähtää irti ja aiheuttaa vakavan loukkaantumisen.
- Älä kosketa terää, sen lähellä olevia osia tai työkalupäätä välittömästi käytön jälkeen, sillä ne voivat olla erittäin kuumia ja aiheuttaa palovammoja.**
- Jotkin materiaalit sisältävät kemikaaleja, jotka voivat olla myrkyllisiä.** Huolehdi siitä, että pölyn sisäänhengittäminen ja ihokosketus estetään. Noudata materiaalin toimittajan turvaohjeita.
- Älä kosketele virtajohtoa märillä käsillä.**

SÄILYTÄ NÄMÄ OHJEET.

VAROITUS: ÄLÄ anna työkalun helppokäyttöisyyden (toistuvan käytön aikaansaama) johtaa sinua väärään turvallisuuden tunteeseen niin, että laiminlyöt työkalun turvaohjeiden noudattamisen. **VÄÄRINKÄYTTÖ** tai tässä käyttöohjeessa ilmoitettujen turvamääräysten laiminlyönti voi aiheuttaa vakavia henkilövahinkoja.

TOIMINTOJEN KUVAUS

▲HUOMIO: Varmista aina ennen koneen säätö-
jen ja toiminnallisten tarkistusten tekemistä, että
kone on sammutettu ja irrotettu pistorasiasta.

Kytkimen käyttäminen

▲HUOMIO: Tarkista aina ennen työkalun
liittämistä virtalähteeseen, että liipaisinkytkin
kytketty oikein ja palaa asentoon "OFF", kun se
vapautetaan.

▲HUOMIO: Kytkimen voi lukita "ON"-asentoon,
jotta pitkäaikainen käyttö olisi käyttäjälle muka-
vampaa. Ole varovainen, kun lukitset työkalun
"ON"-asentoon ja pidä työkalusta luja ote.

► **Kuva1:** 1. Liipaisinkytkin 2. Lukon vapautuspainike

► **Kuva2:** 1. Liipaisinkytkin 2. Lukituspainike





Käynnistä työkalu vetämällä liipaisinkytkintä. Työkalun
nopeus kasvaa liipaisinkytkimeen kohdistuvaa voimaa
lisättäessä. Pysäytä vapauttamalla liipaisinkytkin.

Jatkuvaa toimintaa varten vedä liipaisinkytkimestä,
työnnä lukituspainiketta ja vapauta sitten liipaisinkytkin.
Kun haluat pysäyttää työkalun jatkuvan käynnin, vedä
liipaisinkytkin ensin pohjaan ja vapauta se sitten.



Pyörimissuunnan vaihtokytkimen toiminta

▲HUOMIO: Tarkista aina pyörimissuuntaa ennen
käyttöä.

HUOMAUTUS: Käytä pyörimissuunnan vaihto-
kytkintä vasta sen jälkeen, kun kone on lakannut
kokonaan pyörimästä. Pyörimissuunnan vaihto
koneen vielä pyöriessä voi vahingoittaa sitä.


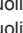
HUOMAUTUS: Jos liipaisinkytkintä ei voi painaa
alas, tarkasta, että vaihtokytkin on täysin asetettu
asentoon  /  (A-puoli) tai  /  (B-puoli).

Malli HR2650/HR2651/HR2651T

Työkalussa on pyörimissuunnan vaihtokytkin. Jos haluat terän
pyörivän myötäpäivään, siirrä vaihtokytkin asentoon  (A
puoli), ja jos vastapäivään, siirrä se asentoon  (B puoli).

► **Kuva3:** 1. Pyörimissuunnan vaihtokytkimen viiva

Malli HR2661

Tässä työkalussa on pyörimissuunnan vaihtokytkin. Jos
haluat terän pyörivän myötäpäivään, siirrä vaihtokytkin
asentoon  (A-puoli), ja jos vastapäivään, siirrä se
asentoon  (B-puoli).

► **Kuva4:** 1. Pyörimissuunnan vaihtokytkimen viiva

HUOMAA: Kun käytät työkalua vastapäiväisessä
pyörimissuunnassa, liipaisukytkintä painetaan
ainoastaan puoleen väliin asti, jolloin työkalu toimii
puolinopeudella. Et voi painaa lukituspainiketta vasta-
päiväisessä pyörimissuunnassa.



Pikaistukan vaihtaminen SDS-plus pikaistukkaan

Malli HR2651T

SDS-plus pikaistukka on helposti vaihdettavissa poran
pikaistukkaan.




SDS-plus pikaistukan irrotus

▲HUOMIO: Irrota terä ennen SDS-plus pikaistu-
kan irrottamista.

Tartu SDS-plus pikaistukan vaihtosuojukseen ja kierrä
sitä nuolen osoittamaan suuntaan, kunnes vaihtosuo-
juksen viiva siirtyy  symbolista  symboliin kohdalle.
Vedä voimakkaasti nuolen osoittamaan suuntaan.

► **Kuva5:** 1. SDS-plus pikaistukka 2. Vaihtosuojus
3. Vaihtosuojuksen viiva

Poran pikaistukan kiinnittäminen

Tarkista, että poran pikaistukan viiva osoittaa
kohti  symbolia. Tartu poran pikaistukan vaihtosuo-
juksen ja aseta viiva symbolin  kohdalle. Aseta
poran pikaistukka työkalun karaan. Tartu poran pikais-
tukan vaihtosuojukseen ja kierrä vaihtosuojuksen
viivaa symbolin  kohdalle, kunnes kuulet selkeän
napsahduksen.


► **Kuva6:** 1. Poran pikaistukka 2. Kara
3. Vaihtosuojuksen viiva 4. Vaihtosuojus

Toiminnon valitseminen

HUOMAUTUS: Älä liikuta toimintatilan valin-
tanappia, kun työkalu on käynnissä. Työkalu voi
rikkoutua.


HUOMAUTUS: Toimintatavan valintameka-
nismien kulumisen estämiseksi varmista, että
valintanappi on aina selvästi jossakin kolmesta
asennosta.

Poraus iskutoiminnolla

Betoniin, muuriin, jne. poraamiseksi pyöritä toimintatilan
vaihtonappia  symbolia kohti. Käytä kovametalliterää
(lisävaruste).


► **Kuva7:** 1. Poraus iskutoiminnolla 2. Toimintatilan
valintanappi

Vain poraus

Kun poraat puuta, metallia tai muovia, siirrä toimintata-
van vaihtovipu  symbolia kohti. Käytä kieräterää tai
puun poraukseen tarkoitettua terää.

► **Kuva8:** 1. Vain poraus

Vain iskutoiminto

Veistämiseksi, saostamiseksi tai purkaustöiden teke-
miseksi kierrä toimintatilan vaihtonappia  symbolia
kohti. Käytä piikkitalttaa, kylmätaltaa, leveää talttaa jne.

► **Kuva9:** 1. Vain iskutoiminto

Suutinasennon säätö

Paina ohjainta ja ohjaimen säätöpainiketta samanaikaisesti ja tämän jälkeen vapauta painike halutussa asennossa.

► **Kuva10:** 1. Ohjain 2. Ohjaimen säätöpainike

HUOMAA: Ennen suutinasennon säätöä, vapauta suutin täysin eteenpäin painamalla ohjaimen säätöpainiketta.

Poraussyvyyden säätö

Siirrä poraussyvyyden säätöpainiketta haluttuun asentoon sen painamisen aikana. Etäisyys (A) on poraussyvyys.

► **Kuva11:** 1. Poraussyvyyden säätöpainike

Vääntömomentin rajoitin

HUOMAUTUS: Sammuta työkalu heti, kun vääntömomentin rajoitin kytkeytyy päälle. Näin voidaan ehkäistä työkalun liian nopea kuluminen.

HUOMAUTUS: Terät, kuten reikäterä, joilla on taipumusta puristua tai juuttua helposti reikään, eivät ole sopivia tähän työkaluun. Tämä johtuu siitä, että vääntömomentin rajoitin kytkeytyy päälle liian usein niitä käytettäessä.

Vääntömomentin rajoitin aktivoituu, kun vääntömomentti saavuttaa tietyn tason. Tällöin moottori kytkeytyy irti käyttöakselista. Samalla terä lakkaa pyörimästä.

Koukku

▲HUOMIO: Älä koskaan ripusta työkalua korkeaan paikkaan tai epävakaaile alustalle.

Malli HR2661

► **Kuva12:** 1. Koukku

Työkalu voidaan kätevästi ripustaa väliaikaisesti koukkuun.

Voit käyttää koukkuja helposti nostamalla sitä niin, että se napsahtaa auki-asentoon. Kun et käytä sitä, laske aina koukkuja, kunnes se napsahtaa kiinni-asentoonsa.

KOKOONPANO

▲HUOMIO: Varmista aina ennen koneelle tehtäviä toimenpiteitä, että kone on sammutettu ja irrotettu pistorasialta.

Sivukahva (apukahva)

▲HUOMIO: Käytä aina sivukahvaa käyttöturvallisuuden varmistamiseksi.

▲HUOMIO: Varmista, että sivukahva on paikallaan luotettavasti sen asentamisen tai säätämisen jälkeen.

Kiinnitä sivukahva siten, että kahvassa olevat urat osuvat työkalun vaipassa oleviin ulkonemiin. Kierrä kahvaa myötäpäivään sen lukitsemiseksi. Kahva voidaan kiinnittää haluttuun kulmaan.

► **Kuva13:** 1. Sivukahva

Voitele

Levitä poran terän karanpään etukäteen pieni määrä rasvaa (noin 0,5 - 1 g).

Tämä istukan voitelu varmistaa tasaisen toiminnan ja pitkän käyttöiän.

Poran terän kiinnittäminen tai irrottaminen

Puhdista poran terän karanpää ja levitä rasvaa ennen poran terän asentamista.

► **Kuva14:** 1. Karanpää 2. Voitele

Työnnä poran terä työkaluun. Kierrä poran terää ja työnnä sitä, kunnes se kytkeytyy työkaluun. Poran terän asentamisen jälkeen varmista, että se on lukittuna paikalleen yrittämällä vetää sitä irti työkalusta.

► **Kuva15:** 1. Poran terä


Irrota poran terä painamalla istukan suojuksen täysin alas ja vetämällä poran terä irti.

► **Kuva16:** 1. Poran terä 2. Istukan suojuksen

Talttateräkulma (piikatessa, kuoriessa ja rakenteita rikottaessa)

Talttaterä voidaan kiristää haluttuun kulmaan. Jos haluat muuttaa talttaterän kulmaa, kierrä toimintatilan vaihtonuppi kohti O-symbolia. Käännä talttaterä haluttuun kulmaan.

► **Kuva17:** 1. Toimintatilan valintanuppi

Kierrä toimintatilan valintanuppia  symbolia kohti. Varmista sitten talttaterää kiertämällä, että terä on tukevasti paikallaan.

Syvyystulkki

Syvyysmittari on kätevä saman syvyyden reikien poraamisessa. Löysää sivukahva ja työnnä syvyystulkki sivukahvan reikään. Säädä syvyystulkkin mitta haluttuun syvyyteen ja kiristä sivukahva luotettavasti.

► **Kuva18:** 1. Reikä 2. Syvyystulkki

HUOMAA: Varmista, että syvyysmittari ei kosketa työkalun runkoa sen kiinnittämisen aikana.

Pölynkeräysjärjestelmän kiinnitys tai irrotus

Irrota pölynkeräysjärjestelmä vetämällä työkalua ja samanaikaisesti painamalla lukituspainiketta. Kiinnitä pölynkeräysjärjestelmä asettamalla työkalu kokonaan pölynkeräysjärjestelmään, kunnes se lukittuu paikalleen napsauttamalla.

► **Kuva19:** 1. Lukituspainike

Pölykorkki

Lisävaruste

Pölykorkki estää pölyn pääsyn laitteeseen ja suojaa poraajaa, kun porataan yläpuolella olevia kohteita. Kiinnitä pölykorkki terään kuvan osoittamalla tavalla. Pölykorkki voidaan kiinnittää seuraavan kokosiin teriin.

Malli	Terän halkaisija
Pölykorkki 5	6 mm - 14,5 mm
Pölykorkki 9	12 mm - 16 mm

► **Kuva20:** 1. Pölykorkki

Pölykorkkisarja

Lisävaruste

Jos porassa on terä, irrota se ennen pölykorkin asentamista. Kiinnitä pölykorkkisarja työkaluun niin, että pölykorkin symboli \triangle on kohdakkain työkalussa olevan uran kanssa.

► **Kuva21:** 1. \triangle Symboli 2. Ura

HUOMAA: Jos liität pölynimurin pölykorkkisarjaan, irrota pölysuojus ennen liittäntää.

► **Kuva22:** 1. Polysuojus

Irrota pölykorkkisarja irrottamalla terä ja samanaikaisesti vetämällä istukan suojusta nuolen osoittamaan suuntaan.

► **Kuva23:** 1. Terä 2. Istukan suojus

Pidä kiinni pölykorkin kannasta ja vedä se pois.

► **Kuva24**

HUOMAA: Jos suojus irtaana pölykorkista, kiinnitä se kuviollinen puoli ylöspäin niin, että suojuksen ura osuu lisälaitteen kehän sisäpuolelle.

► **Kuva25**

TYÖSKENTELY

▲HUOMIO: Käytä aina sivukahvaa (apukahvaa) ja pidä työkalusta tiukasti toinen käsi sivukahvalla ja toinen kytkinkahvalla työskentelyn aikana.

▲HUOMIO: Varmista aina, että työkappale on kiinnitetty luotettavasti paikalleen ennen työkalun käyttöä.

▲HUOMIO: Pölynkeräysjärjestelmä on tarkoitettu vain betonin poraamiseen. Älä käytä pölynkeräysjärjestelmää metallin tai puun poraamiseen.

▲HUOMIO: Käytettäessä työkalua pölynkeräysjärjestelmän kanssa, varmista, että suodatin on kiinnitetty pölynkeräysjärjestelmän pölyjen hengittämisen välttämiseksi.

▲HUOMIO: Tarkasta, että suodatin ei ole vaurioitunut ennen pölynkeräysjärjestelmän käyttöä. Muussa tapauksessa voi seurauksena olla pölylle altistuminen hengityksen kautta.

▲HUOMIO: Pölynkeräysjärjestelmä kerää muodostuneen pölyn huomattavalla nopeudella, mutta kaikkia pölyjä ei voida kerätä.

HUOMAUTUS: Älä käytä pölynkeräysjärjestelmää avartamiseen tai talttaamiseen.

HUOMAUTUS: Älä käytä pölynkeräysjärjestelmää määrän betonin poraamiseen tai käytä tätä järjestelmää määrittämissä olosuhteissa. Muussa tapauksessa voi seurauksena olla käyttöhäiriöitä.

► **Kuva26**

Iskuporatoiminta

▲HUOMIO: Työkaluun/poranterään kohdistuu valtava voima, kun terä menee läpi työkappaleesta, kun reikä tukkeutuu lastuista ja purusta tai kun terä osuu betoniraidoitukseen. Käytä aina sivukahvaa (apukahvaa) ja pidä työkalusta tiukasti toinen käsi sivukahvalla ja toinen kytkinkahvalla työskentelyn aikana. Jos näin ei tehdä, seurauksena voi olla työkalun hallinnan menetys ja mahdollisesti vakava vamma.

Aseta toimintatilan valintanappi ∇ symbolia kohti. Aseta poranterä haluttuun kohtaan reiän poraamista varten ja tämän jälkeen vedä laukaisinkytkimestä. Älä käytä tarpeetonta voimaa. Kevyt paine takaa parhaan lopputuloksen. Pidä työkalu paikallaan ja estä sen liukumista pois aukosta.

Jos reikä tukkeutuu lastuista ja purusta, älä käytä lisävoimaa. Anna sen sijaan työkalun käydä joutokäynnillä ja vedä terä osittain ulos reiästä. Toista tämä useampaan kertaan, jolloin reikä puhdistuu ja voit jatkaa poraamista.

HUOMAA: Terä voi pyöriä epäkeskisaisesti, jos työkalua käytetään ilman kuormaa. Varsinaisen porauksen aikana työkalu keskittää itsensä automaattisesti. Tämä ei vaikuta porauksen tarkkuuteen.

Piikkaus/Kuorinta/Purkutyö

Aseta toimintatilan valintanappi ∇ symbolia kohti. Pidä työkalusta luotettavasti kiinni molemmilla käsilläsi. Käynnistä työkalu ja paina työkalua kevyesti niin, ettei työkalu liiku hallitsemattomasti ympärilleen. Tehokkuus ei kasva painamalla työkalua liian voimakkaasti.

► **Kuva27**

Poraus puuhun tai metalliin

▲HUOMIO: Pidä työkalu tukevassa otteessa ja ole varovainen, kun terä alkaa porautua läpi työkappaleesta. Työkaluun/terään kohdistuu valtava voima, kun terä porautuu läpi.

▲HUOMIO: Juuttuneen terän voi irrottaa vaihtamalla terän pyörimissuuntaa ja peruuttamalla. Pidä kuitenkin työkalusta lujasti kiinni, sillä se voi tökätä taaksepäin äkinäisesti.

▲HUOMIO: Kiinnitä työkappaleet aina viila-penkkiin tai vastaavaan pidikkeeseen.

HUOMAUTUS: Älä koskaan käytä poraamiseen "iskutoimintona" teräistukan ollessa asennettuna työkaluun. Poraistukka voi vaurioitua.

Poraistukka voi myös tulla pois kun työkalun pyörimissuuntaa muutetaan.

HUOMAUTUS: Työkalun painaminen liian voimakkaasti ei nopeuta poraamista. Päinvastoin liiallinen paine vain tylsyyttää poranterää, hidastaa työtä ja lyhentää työkalun käyttöikää.

Kierrä toimintatilan valintanuppia  symbolia kohti.

Malli HR2650/HR2651/HR2661

Lisävaruste

Kiinnitä istukan sovitin kiillattomaan poraistukkaan, mihin voidaan asentaa 1/2"-20 koon ruuvi. Tämän jälkeen asenna ne työkaluun. Asennuksen aikana katso asennusohjeet luvusta "Poranterän kiinnittäminen tai irrottaminen".

► **Kuva28:** 1. Pikaistukka 2. Istukan sovitin

Malli HR2651T

Käytä poran pikaistukkaa vakiovarusteena. Käytä istukkaa asentaessasi apuna kohdassa "Nopeavaihtoistukan SDS-plus vaihtaminen" annettuja ohjeita.

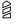
Avaa istukan leuat kääntämällä holkkia vastapäivään pitämällä samanaikaisesti rengasta paikallaan. Työnnä kärki/terä niin syväälle istukkaan kuin se menee. Kiristä istukan leuat kääntämällä holkkia myötäpäivään pitämällä samanaikaisesti rengasta paikallaan.

► **Kuva29:** 1. Holkki 2. Rengas

Irrota kärki/terä kääntämällä holkkia vastapäivään pitämällä samanaikaisesti rengasta paikallaan.

Timanttioranterällä poraus

HUOMAUTUS: Jos poraat timanttioranterällä "iskutoimintona" käyttäen, timanttioranterä voi vahingoittua.

Kun poraat timanttioranterällä, aseta aina vaihtovipu asentoon  "vain poraus" normaalia poraustoimintona varten.

Pölyn hävittäminen

▲HUOMIO: Varmista aina ennen koneelle tehtäviä toimenpiteitä, että kone on sammutettu ja irrotettu pistorasiasista.

▲HUOMIO: Käytä pölysuojainta pölyjen hävittämisessä.

▲HUOMIO: Tyhjennä pölysäiliö säännöllisesti ennen sen täyttymistä. Muussa tapauksessa pölynkeräysteho voi heikentyä ja aiheuttaa pölyn sisäänhengittämisen.

▲HUOMIO: Pölynkeräysteho laskee, jos pölysäiliön suodatin on tukossa. Vaihda suodatin uuteen viitteellisesti noin 200 pölysäiliön tyhjennyksen jälkeen. Muussa tapauksessa voi seurauksena olla pölylle altistuminen hengityksen kautta.

1. Irrota pölysäiliö ja paina samanaikaisesti pölysäiliön vipua.

► **Kuva30:** 1. Vipu

2. Avaa pölysäiliön suoja.

► **Kuva31:** 1. Suoja

3. Hävitä pöly ja puhdista suodatin tämän jälkeen.

► **Kuva32**

HUOMAUTUS: Älä kosketele suodatinta harjalla tai vastaavalla, tai puhalla siihen paineilmasen puhdistamisen aikana. Muussa tapauksessa suodatin voi vahingoittua.

Puhallin

Lisävaruste

Porausken jälkeen puhdista pöly reiästä puhaltimella.

► **Kuva33**

Pölykorkkisarjan käyttö

Lisävaruste

Sovita pölykorkkisarja kantta vasten työkalun käytön aikana.

► **Kuva34**

HUOMAUTUS: Älä käytä pölykorkkisarjaa metallia tai muuta vastaavaa materiaalia poratessa. Tämä voi vahingoittaa pölykorkkisarjaa pienistä metallipölyistä tai vastaavista muodostuneesta lämmöstä johtuen.

HUOMAUTUS: Älä asenna tai irrota pölykorkkisarjaa poranterän ollessa asennettuna työkaluun. Tämä voi vahingoittaa pölykorkkisarjaa ja aiheuttaa pölyvuotoja.

KUNNOSSAPITO

▲HUOMIO: Varmista aina ennen tarkastuksia ja huoltotoimia, että työkalu on sammutettu ja irrotettu virtalähteestä.

HUOMAUTUS: Älä koskaan käytä bensiiniä, ohenteita, alkoholia tai tms. aineita. Muutoin pinta voi halkeilla tai sen värit ja muoto voivat muuttua. Muutoin laitteeseen voi tulla värjäytyksiä, muodon vääristymiä tai halkeamia.

Tuotteen TURVALLISUUDEN ja LUOTETTAVUUDEN takaamiseksi korjaukset, muut huoltotyöt ja säädöt on teetettävä Makitan valtuutetussa huoltopisteessä Makitan varaosia käyttäen.

Pölysäiliön suodattimen vaihto

1. Irrota pölysäiliö ja paina samanaikaisesti pölysäiliön vipua.
► **Kuva35:** 1. Vipu
2. Aseta tasapäinen ruuvitalta suodattimen suojuksen uriin suodatinkotelon ja suodattimen irrottamiseksi.
► **Kuva36:** 1. Tasapäinen ruuvitalta 2. Suodatinkotelo
3. Irrota suodatin suodatinkotelosta.
► **Kuva37:** 1. Suodatin 2. Suodatinkotelo
4. Kiinnitä uusi suodatin suodatinkoteloon ja asenna ne pölysäiliön kohdistamalla suodatinkotelon ulkonema pölysäiliön uraan.
► **Kuva38:** 1. Ulkonema 2. Ura
5. Sulje pölysäiliön suojuksen ja kiinnitä se työkaluun.

Tiivistekorkin vaihto

Jos tiivistekorkki on kulunut, pölynkeräysteho laskee. Vaihda, jos se on kulunut. Irrota tiivistekorkki ja kiinnitä tämän jälkeen uusi korkki sen ulkoneman osoittaessa ulospäin.
► **Kuva39:** 1. Ulkonema 2. Tiivistekorkki

LISÄVARUSTEET

⚠HUOMIO: Seuraavia lisävarusteita tai laitteita suositellaan käytettäväksi tässä ohjeessa kuvatun Makita-työkalun kanssa. Muiden lisävarusteiden tai laitteiden käyttö voi aiheuttaa henkilövahinkoja. Käytä lisävarusteita ja -laitteita vain niiden käyttötarkoituksen mukaisesti.

Jos tarvitset apua tai yksityiskohtaisempia tietoja seuraavista lisävarusteista, ota yhteys paikalliseen Makitan huoltoon.

- Kovametallikärkiset poranterät (SDS-Plus kova-
- metallikärkiset terät)
- Poranterä
- Lattatalta
- Timanttiporanterä
- Ristitalta
- Kuorimistalta
- Kourutalta
- Istukan sovitin
- Pikaistukka
- Terärasva
- Syvyystulkki
- Puhallin
- Pölykorkki
- Pölykorkkisarja
- Suojalasit
- Muovinen kantolaukku

HUOMAA: Jotkin luettelossa mainitut varusteet voivat sisältyä työkalun toimitukseen vakiovarusteina. Ne voivat vaihdella maittain.

SPECIFIKĀCIJAS

Modelis:		HR2650	HR2651	HR2651T	HR2661
Veiktspēja	Betons	26 mm	26 mm		
	Kroņurbis	68 mm			
	Dimanta kroņurbis (sausā tipa)	80 mm			
	Tērauds	13 mm	13 mm		
	Koks	32 mm	32 mm		
Ātrums bez slodzes		0 - 1 200 min ⁻¹			0-1 100 min ⁻¹
Triecienu minūtē		0 - 4 600 min ⁻¹			0-4 500 min ⁻¹
Kopējais garums		604 mm	604 mm	630 mm	666 mm
Neto svars		3,0-4,1 kg	3,1-4,2 kg	3,2-4,4 kg	3,3-4,4 kg
Drošības klase		II/III			

- Nepārtrauktās izpētes un izstrādes programmas dēļ šeit uzrādītās specifikācijas var tikt mainītas bez brīdinājuma.
- Atkarībā no valsts specifikācijas var atšķirties.
- Svars var atšķirties atkarībā no papildierīces (-ēm). Tabulā ir attēlota vieglākā un smagākā kombinācija atbilstoši EPTA procedūrai 01/2014.

Paredzētā lietošana

Šis darbarīks ir paredzēts triecienuurbšanai un urbšanai ķieģeļos, betonā un akmeņi.

Tas ir piemērots arī parastai urbšanai (bez trieciena) kokā, metālā, keramikā un plastmasā.

Barošana

Darbarīks jāpievieno tikai tādām barošanas avotam, kura spriegums atbilst uz darbarīka tehnisko datu plāksnītes norādītajam, un darbarīku var izmantot tikai ar vienfāzes maiņstrāvas barošanu. Darbarīks aprīkots ar divkārtšo izolāciju, tādēļ to var izmantot arī, pievienojot kontaktligzdai bez iezemējuma vada.

Trokšņa līmenis

Tipiskais A svērtais trokšņa līmenis noteikts saskaņā ar EN60745:

Modelis HR2650

Skaņas spiediena līmeni (L_{pA}): 91 dB (A)

Skaņas jaudas līmeni (L_{WA}): 102 dB (A)

Mainīgums (K): 3 dB (A)

Modelis HR2651

Skaņas spiediena līmeni (L_{pA}): 92 dB (A)

Skaņas jaudas līmeni (L_{WA}): 103 dB (A)

Mainīgums (K): 3 dB (A)

Modelis HR2651T

Skaņas spiediena līmeni (L_{pA}): 92 dB (A)

Skaņas jaudas līmeni (L_{WA}): 103 dB (A)

Mainīgums (K): 3 dB (A)

Modelis HR2661

Skaņas spiediena līmeni (L_{pA}): 90 dB (A)

Skaņas jaudas līmeni (L_{WA}): 101 dB (A)

Mainīgums (K): 3 dB (A)

BRĪDINĀJUMS: Lietojiet ausu aizsargus.

Vibrācija

Vibrācijas kopējā vērtība (trīsasu vektora summa) noteikta atbilstoši EN60745:

Modelis HR2650

Darba režīms: triecienuurbšana betonā

Vibrācija ($a_{h, HD}$): 12,5 m/s²

Mainīgums (K): 1,5 m/s²

Darba režīms: kalšanas režīms, izmantojot sānu rokturi

Vibrācija ($a_{h, Cheq}$): 9,5 m/s²

Mainīgums (K): 1,5 m/s²

Darba režīms: urbšana metālā

Vibrācijas izmete ($a_{h, D}$): 2,5 m/s²

Mainīgums (K): 1,5 m/s²

Modelis HR2651

Darba režīms: triecienuurbšana betonā

Vibrācija ($a_{h, HD}$): 11,5 m/s²

Mainīgums (K): 1,5 m/s²

Darba režīms: kalšanas režīms, izmantojot sānu rokturi

Vibrācija ($a_{h, Cheq}$): 9,0 m/s²

Mainīgums (K): 1,5 m/s²

Darba režīms: urbšana metālā

Vibrācijas izmete ($a_{h, D}$): 2,5 m/s²

Mainīgums (K): 1,5 m/s²

Modelis HR2651T

Darba režīms: triecienuurbšana betonā

Vibrācija ($a_{h, HD}$): 11,5 m/s²

Mainīgums (K): 1,5 m/s²

Darba režīms: kalšanas režīms, izmantojot sānu rokturi

Vibrācija ($a_{h, Cheq}$): 9,0 m/s²

Mainīgums (K): 1,5 m/s²

Darba režīms: urbšana metālā

Vibrācijas izmete ($a_{h, D}$): 2,5 m/s²

Mainīgums (K): 1,5 m/s²

Modelis HR2661

Darba režīms: triecienuurbšana betonā

Vibrācija ($a_{h, HD}$): 9,5 m/s²

Mainīgums (K): 1,5 m/s²

Darba režīms: kalšanas režīms, izmantojot sānu rokturi
Vibrācija ($a_{h, \text{Cheq}}$): $6,0 \text{ m/s}^2$
Mainīgums (K): $1,5 \text{ m/s}^2$
Darba režīms: urbšana metālā
Vibrācijas izmete ($a_{h, D}$): $2,5 \text{ m/s}^2$ vai mazāk
Mainīgums (K): $1,5 \text{ m/s}^2$

PIEZĪME: Paziņotā vibrācijas emisijas vērtība noteikta atbilstoši standarta pārbaudes metodei un to var izmantot, lai salīdzinātu vienu darbarīku ar citu.

PIEZĪME: Paziņoto vibrācijas emisijas vērtību arī var izmantot iedarbības sākotnējā novērtējumā.

▲BRĪDINĀJUMS: Reāli lietojot elektrisko darbarīku, vibrācijas emisija var atšķirties no paziņotās emisijas vērtības atkarībā no darbarīka izmantošanas veida.

▲BRĪDINĀJUMS: Lai aizsargātu lietotāju, nosakiet drošības pasākumus, kas pamatoti ar iedarbību reālos darba apstākļos (ņemot vērā visus ekspluatācijas cikla posmus, piemēram, laiku, kamēr darbarīks ir izslēgts un kad darbojas tukšgaitā, kā arī palaides laiku).

EK atbilstības deklarācija

Tikai Eiropas valstīm

EK atbilstības deklarācija šajā lietošanas rokasgrāmatā ir iekļauta kā A pielikums.

DROŠĪBAS BRĪDINĀJUMI

Vispārīgi elektrisko darbarīku drošības brīdinājumi

▲BRĪDINĀJUMS: Izlasiet visus drošības brīdinājumus, instrukcijas, apskatiet ilustrācijas un tehniskos datus, kas iekļauti mehanizētā darbarīka komplektācijā. Ja netiek ievēroti visi tālāk minētie noteikumi, var tikt izraisīta elektrotrauma, notikt aizdegšanās un/vai rasties smagas traumas.

Glabājiet visus brīdinājumus un norādījumus, lai varētu tajos ieskatīties turpmāk.

Termins „elektrisks darbarīks” brīdinājumos attiecas uz tādu elektrisko darbarīku, ko darbina ar elektrību (ar vadu), vai tādu, ko darbina ar akumulatoru (bez vada).

DROŠĪBAS BRĪDINĀJUMI PERFORATORA LIETOŠANAI

1. **Izmantojiet ausu aizsargus.** Troksnis var izraisīt dzirdes zudumu.
2. **Izmantojiet ar darbarīku piegādātos papildu rokturus.** Zaudējot kontroli, var tikt gūtas traumas.

3. **Veicot darbu, turiet mehanizēto darbarīku aiz izolētajām satveršanas virsmām, ja griešanas instruments varētu saskarties ar apslēptu elektroinstalāciju vai ar savu vadu.** Griezējinstrumentam saskaroties ar kabeli zem sprieguma, spriegums var tikt pārnests uz elektriskā mehanizētā darbarīka metāla daļām un radīt operatoram elektrotraumu.
4. **Izmantojiet aizsargkiveri, aizsargbrilles un/ vai sejas aizsargu. Parastās brilles vai saulesbrilles NAV aizsargbrilles.** Noteikti ieteicams izmantot arī putekļu masku un biezus, polsterētus cimdus.
5. **Pirms sākt darbu pārbaudiet, vai uzgalis ir nostiprināts.**
6. **Parastas darbības laikā darbarīks rada vibrāciju. Skrūves var viegli atskrūvēties, izraisot bojājumus vai negadījumu. Pirms sākt darbu rūpīgi pārbaudiet skrūvju pievilkumu.**
7. **Aukstā laikā vai tad, ja darbarīku neesat izmantojis ilgu laiku, ļaujiet darbarīkam nedaudz iesilt, darbinot to bez slodzes. Tas sasildīs ziežvielas darbarīkā. Bez pienācīgas iesildīšanas būs grūti veikt kalšanu.**
8. **Vienmēr nodrošiniet stabilu pamatu kājām. Ja lietojat darbarīku, strādājot lielā augstumā virs zemes, pārliecinieties, ka apakšā neviena nav.**
9. **Turiet darbarīku cieši ar abām rokām.**
10. **Netuviniet rokas kustīgajām daļām.**
11. **Neatstājiet darbarīku ieslēgtu. Darbiniet darbarīku vienīgi tad, ja turat to rokās.**
12. **Iedarbinātu darbarīku nevērsiet pret tuvumā esošiem cilvēkiem. Uzgalis var tikt izsviests un radīt smagu traumu.**
13. **Tūlīt pēc darbarīka lietošanas nepieskarieties uzgalim, uzgaļa vai apstrādājamā materiāla tuvumā esošām daļām, jo daļas var būt ļoti karstas un apdedzināt ādu.**
14. **Daži materiāli satur ķīmiskas vielas, kuras var būt toksiskas. Izvairieties no putekļu ieelpošanas un to nokļūšanas uz ādas. Ievērojiet materiāla piegādātāja drošības datus.**
15. **Ar mitrām rokām nepieskarieties strāvas vada kontaktdakšai.**

SAGLABĀJIET ŠOS NORĀDĪJUMUS.

▲BRĪDINĀJUMS: NEPIEĻAUJIET to, ka labu iemaņu vai izstrādājuma labas pārzināšanas (darbarīku atkārtoti ekspluatējot) rezultātā vairs stingri ievērojāt šīs izstrādājuma drošības noteikumus. NEPAREIZI LIETOJOT darbarīku vai neievērojot šajā instrukciju rokasgrāmatā minētos drošības noteikumus, var tikt gūtas smagas traumas.

FUNKCIJU APRAKSTS

⚠UZMANĪBU: Pirms regulējat vai pārbaudāt darbarīka darbību, vienmēr pārliecinieties, ka darbarīks ir izslēgts un atvienots no barošanas.

Slēdža darbība

⚠UZMANĪBU: Pirms darbarīka pieslēgšanas vienmēr pārbaudiet, vai slēdža mēlīte darbojas pareizi un atlaista atgriežas stāvoklī „OFF” (izslēgts).

⚠UZMANĪBU: Slēdzi var fiksēt stāvoklī „ON” (ieslēgts), lai atvieglotu operatora darbu, strādājot ilgstoši. Esiet uzmanīgs, fiksējot darbarīka slēdzi stāvoklī „ON” (ieslēgts); stingri turiet darbarīku.

► **Att.1:** 1. Slēdža mēlīte 2. Atbloķēšanas poga

► **Att.2:** 1. Slēdža mēlīte 2. Bloķēšanas poga

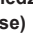



Lai ieslēgtu darbarīku, pavelciet slēdža mēlīti. Darbarīka ātrums palielinās, palielinoties spiedienam uz slēdža mēlīti. Lai darbarīku apturētu, atlaidiet slēdža mēlīti.

Lai darbarīks darbotos nepārtraukti, pavelciet slēdža mēlīti un nospiediet bloķēšanas pogu, pēc tam atlaidiet slēdža mēlīti. Lai apturētu darbarīku, kad slēdzis ir bloķēts, nospiediet slēdža mēlīti līdz galam, tad atlaidiet to.

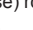
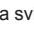
Griešanās virziena pārslēdzēja darbība

⚠UZMANĪBU: Pirms sākat strādāt, vienmēr pārbaudiet griešanās virzienu.

IEVĒRĪBAI: Izmantojiet griešanās virziena pārslēdzēju tikai pēc darbarīka pilnīgas apstāšanās. Griešanās virziena maiņa pirms darbarīka pilnīgas apstāšanās var to sabojāt.


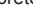
IEVĒRĪBAI: Ja slēdža mēlīti nevar nospiegt, pārbaudiet, vai griešanās virziena pārslēdzējs ir pilnībā iestatīts stāvoklī  /  (A puse) vai  /  (B puse).

Modeļiem HR2650/HR2651/HR2651T

Šis darbarīks ir aprīkots ar pārslēdzēju, kas ļauj mainīt griešanās virzienu. Pārbīdīet griešanās virziena pārslēdzēja sviru stāvoklī  (A puse) rotācijai pulksteņrādītāju kustības virzienā vai stāvoklī  (B puse) rotācijai pretēji pulksteņrādītāju kustības virzienam.

► **Att.3:** 1. Griešanās virziena pārslēdzēja svira

Paredzēts modelim HR2661

Šim darbarīkam ir griešanās virziena maiņas slēdzis. Pārbīdīet griešanās virziena pārslēdzēja sviru stāvoklī  (A puse) rotācijai pulksteņrādītāju kustības virzienā vai stāvoklī  (B puse) rotācijai pretēji pulksteņrādītāju kustības virzienam.

► **Att.4:** 1. Griešanās virziena pārslēdzēja svira

PIEZĪME: Darbinot darbarīku pretēji pulksteņrādītāju kustības virzienam, slēdža mēlīte tiek nospiesta tikai līdz pusei un darbarīks strādā uz pusi lēnāk. Darbinot to pretēji pulksteņrādītāju kustības virzienam, bloķēšanas pogu nav iespējams nospiegt.



SDS-plus ātrās nomaigas spīļpatronas maiņa

Paredzēts modelim HR2651T

SDS-plus ātrās nomaigas spīļpatronu var viegli nomainīt pret ātrās nomaigas urbja spīļpatronu.



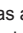
SDS-plus ātrās nomaigas spīļpatronas noņemšana

⚠UZMANĪBU: Pirms SDS-plus ātrās nomaigas spīļpatronas noņemšanas obligāti noņemiet uzgali.

Satveriet SDS-plus ātrās nomaigas spīļpatronas maiņas aizsargu un pagrieziet to bultas virzienā, līdz maiņas aizsarga līnija pārvietojas no  simbola uz  simbolu. Spēcīgi pavelciet bultas virzienā.

► **Att.5:** 1. SDS-plus ātrās nomaigas spīļpatrona
2. Maiņas aizsargs 3. Maiņas aizsarga līnija

Ātrās nomaigas urbja spīļpatronas pievienošana

Pārbaudiet, vai ātrās nomaigas urbja spīļpatronas līnija norāda uz simbolu . Satveriet ātrās nomaigas urbja spīļpatronas maiņas aizsargu un iestatiet līniju pret simbolu . Novietojiet ātrās nomaigas urbja spīļpatronu uz darbarīka vārpstas. Satveriet ātrās nomaigas urbja spīļpatronas maiņas aizsargu un pagrieziet maiņas aizsarga līniju pret simbolu , līdz skaidri ir dzirdams klikšķis.


► **Att.6:** 1. Ātrās nomaigas urbja spīļpatrona
2. Vārpsta 3. Maiņas aizsarga līnija 4. Maiņas aizsargs

Darba režīma izvēle

IEVĒRĪBAI: Negrieziet darba režīma pārslēdzēju, kad darbarīks darbojas. Darbarīks tiks sabojāts.


IEVĒRĪBAI: Lai režīma maiņas mehānisms ātri nenolietotos, pārliecinieties, ka darba režīma pārslēdzējs vienmēr precīzi atrodas kādā no trim darba režīma stāvokļiem.

Triecienurbšana

Urbšanai betonā, mūrī u. c. pagrieziet darba režīma pārslēdzēju pret simbolu . Izmantojiet volframa-karbidu uzgali (papildpiederums).

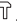
► **Att.7:** 1. Triecienurbšana 2. Darba režīma pārslēdzējs

Parasta urbšana

Urbšanai kokā, metālā vai plastmasā pagrieziet darba režīma pārslēdzēju pret simbolu . Izmantojiet spirālurbja uzgali vai kokurbja uzgali.

► **Att.8:** 1. Parasta urbšana

Tikai kalšana

Atšķelšanai, materiālu noņemšanai vai nojaukšanai pagrieziet darba režīma pārslēdzēju pret simbolu . Izmantojiet punktsiti, metāla kaltu, materiālu noņemšanas kaltu u. c.

► **Att.9:** 1. Parasta kalšana

Uzgaļa stāvokļa regulēšana

Iespiediet vadotni, vienlaikus spiežot vadotnes regulēšanas pogu, pēc tam vēlamajā pozīcijā atļaidiet pogu.

► **Att.10:** 1. Vadotne 2. Vadotnes regulēšanas pogu

PIEZĪME: Pirms uzgaļa pozīcijas iestatīšanas, spiežot vadotnes regulēšanas pogu, atbrīvojiet uzgali virzienā uz priekšu līdz galam.

Urbšanas dziļuma regulēšana

Spiežot dziļuma regulēšanas pogu, bīdīet to līdz vēlamajai pozīcijai. Attālums (A) ir urbšanas dziļums.

► **Att.11:** 1. Dziļuma regulēšanas pogu

Griezes momenta ierobežotājs

IEVĒRĪBAI: Tiklīdz ieslēdzas griezes momenta ierobežotājs, nekavējoties izslēdziet darbarīku. Tādējādi novērsīsiet priekšlaicīgu darbarīka nolietošanos.

IEVĒRĪBAI: Šim darbarīkam nav piemēroti tādi urbšanas uzgali kā gredzenzāģi, kas bieži mēdz iespiesties vai ieķerties atverēs. Tam par iemeslu ir apstākļi, ka pārāk bieži ieslēgsies griezes momenta ierobežotājs.

Griezes momenta ierobežotājs ieslēgsies, sasniedzot noteiktu griezes momenta līmeni. Motors atvienosies no dzenamās vārpstas. Kad tas notiek, urbja uzgalis pārstāj griezties.

Āķis

UZMANĪBU: Nekad nekariet darbarīku uz āķa lielā augstumā vai uz iespējami nestabilas virsmas.

Paredzēts modelim HR2661

► **Att.12:** 1. Āķis

Āķis ir noderīgs darbarīka īslaicīgai uzkāšanai. Lai lietotu āķi, vienkārši celiet to augšup, līdz tas fiksējas atvērtā pozīcijā. Ja neizmantojat āķi, obligāti nolaidiet to uz leju, līdz tas nofiksējas slēgtā pozīcijā.

MONTĀŽA

UZMANĪBU: Vienmēr pārliecinieties, ka darbarīks ir izslēgts un atvienots no barošanas, pirms veicat jebkādas darbības ar darbarīku.

Sānu rokturis (palīgrokturis)

UZMANĪBU: Lai darbu veiktu droši, vienmēr izmantojiet sānu rokturi.

UZMANĪBU: Pēc sānu roktura uzstādīšanas vai regulēšanas pārliecinieties, ka tas ir stingri nostiprināts.

Uzstādiet sānu rokturi tā, lai roktura rievās iegultos darbarīka korpusa izciļņos. Pagrieziet rokturi pulksteņrādītāju kustības virzienā, lai to fiksētu. Rokturi ir iespējams nostiprināt vēlamajā leņķī.

► **Att.13:** 1. Sānu rokturis

Elļošana

Vispirms urbja uzgaļa kātu pārklājiet ar nelielu daudzumu ziedes (apmēram 0,5–1 g).

Šādi ieeļļojot spļipatronu, darbība būs vienmērīga un paildzināsies tās darbmūžs.

Urbja uzgaļa uzstādīšana un noņemšana

Notīriet urbja uzgaļa kāta galu un pirms urbja uzgaļa uzstādīšanas uzklājiet ziedi.

► **Att.14:** 1. Kāta gals 2. Elļošana

Ievietojiet urbja uzgali darbarīkā. Pagrieziet urbja uzgali un iespiediet to, līdz tas fiksējas.


Pēc uzstādīšanas vienmēr pārliecinieties, ka tas stingri turas, mēģinot uzgali izvilkt.

► **Att.15:** 1. Urbja uzgalis


Lai izņemtu urbja uzgali, pavelciet spļipatronas aizsargu pilnībā uz leju un izvelciet urbja uzgali.

► **Att.16:** 1. Urbja uzgalis 2. Spļipatronas aizsargs

Kalta leņķis (atšķelšanai, materiālu noņemšanai vai nojaukšanai)

Kaltu ir iespējams nostiprināt vēlamajā leņķī. Lai mainītu kalta leņķi, pagrieziet darba režīma pārslēdzēju pret simbolu . Pagrieziet kaltu vēlamajā leņķī.

► **Att.17:** 1. Darba režīma pārslēdzējs

Pagrieziet darba režīma pārslēdzēju pret simbolu . Tad, nedaudz pagriežot kaltu, pārliecinieties, ka tas turas stingri.

Dziļummērs

Dziļummērs ir noderīgs vienāda dziļuma caurumu urbšanai. Atskrūvējiet vaiļgāk sānu rokturi un ievietojiet dziļummēru sānu roktura atverē. Noregulējiet dziļummēru vēlamajā dziļumā un pievelciet sānu rokturi.

► **Att.18:** 1. Atvere 2. Dziļummērs

PIEZĪME: Pārliecinieties, ka dziļummērs, to piestiprinot, nesaskaras ar galveno darbarīka korpusu.

Putekļu savākšanas sistēmas pievienošana un noņemšana

Lai noņemtu putekļu savākšanas sistēmu, velciet darbarīku, vienlaikus spiežot atbloķēšanas pogu. Lai to pievienotu, ievietojiet darbarīku putekļu savākšanas sistēmā līdz galam, līdz tas ar klikšķi fiksējas vietā.

► **Att.19:** 1. Atbloķēšanas pogas

Putekļu piltuve

Papildpiederumi

Urbjot virs galvas līmeņa, izmantojiet putekļu piltuvi, lai putekļi nekrustu uz darbarīka un jums. Piestipriniet putekļu piltuvi pie uzgaļa, kā parādīts attēlā. Tālāk norādīts uzgaļu izmērs, pie kuriem var piestiprināt putekļu piltuvi.

Modelis	Uzgaļa diametrs
Putekļu piltuve 5	6–14,5 mm
Putekļu piltuve 9	12–16 mm

► **Att.20:** 1. Putekļu piltuve

Putekļu piltuves komplekts

Papildpiederumi

Pirms putekļu piltuves komplekta uzstādīšanas no darbarīka noņemiet uzgali, ja tas ir pievienots. Putekļu piltuves komplektu uz darbarīka uzstādiēt tā, lai simbols \triangle uz putekļu piltuves būtu novietots pret rievām uz darbarīka.

► **Att.21:** 1. Simbols \triangle 2. Rieva

PIEZĪME: Ja putekļu piltuves komplektam pievienojat putekļsūcēju, pirms pievienošanas noņemiet putekļu vāciņu.

► **Att.22:** 1. Putekļu vāciņš

Lai noņemtu putekļu piltuves komplektu, noņemiet uzgali, vienlaikus bultas virzienā velkot spīļpatronas aizsargu.

► **Att.23:** 1. Uzgalis 2. Spīļpatronas aizsargi

Satveriet putekļu piltuves pamatni un izvelciet putekļu piltuvi.

► **Att.24**

PIEZĪME: Ja vāciņš atdalās no putekļu piltuves, piestipriniet to ar marķēto pusi vērstu augšup, lai vāciņa rievā nostiprinātos stiprinājuma iekšpusē.

► **Att.25**

EKSPLUATĀCIJA

UZMANĪBU: Darba laikā vienmēr izmantojiet sānu rokturi (palīgrokturi) un stingri turiet darbarīku aiz abiem sānu rokturiem un slēdža roktura.

UZMANĪBU: Pirms darba sākšanas vienmēr pārliecinieties, ka apstrādājama materiāls ir nostiprināts.

UZMANĪBU: Putekļu savākšanas sistēma ir paredzēta tikai urbšanai betonā. Nelietojiet putekļu savākšanas sistēmu, urbjot metālā vai kokmateriālā.

UZMANĪBU: Lietojot darbarīku ar putekļu savākšanas sistēmu, putekļu savākšanas sistēmai obligāti pievienojiet filtru, lai novērstu putekļu ieelpošanu.

UZMANĪBU: Pirms putekļu savākšanas sistēmas lietošanas, pārbaudiet, vai filtrs nav bojāts. Neievērojot šo noteikumu, var ieelpot putekļus.

UZMANĪBU: Putekļu savākšanas sistēma savāc ievērojamu radušos putekļu daudzumu, bet visus putekļus nav iespējams savākt.

IEVĒRĪBAI: Nelietojiet putekļu savākšanas sistēmu, urbjot ar kroņurbi vai kaļot.

IEVĒRĪBAI: Nelietojiet putekļu savākšanas sistēmu, urbjot mitrā betonā, un nelietojiet šo sistēmu mitrā vidē. Neievērojot šo noteikumu, var gūt ievainojumus.

► **Att.26**

Triecienurbšana

UZMANĪBU: Cauruma izlaušanas brīdī, arī caurumam nosprostojoties ar skaidām un materiāla daļiņām vai trāpot betonā esošajiem armatūras stieniem, uz darbarīku un urbja uzgali iedarbojas ārkārtīgi liels un pēkšņs vērpes spēks. **Darba laikā vienmēr izmantojiet sānu rokturi (palīgrokturi) un stingri turiet darbarīku aiz abiem sānu rokturiem un slēdža roktura.** Ja šādi nerīkosities, varat zaudēt darbarīka vadību un gūt smagas traumas.

Pagrieziet darba režīma pārslēdzēju pret simbolu ∇ . Novietojiet urbja uzgali vietā, kur nepieciešams caurums, tad nospiediet slēdža mēlīti. Nelietojiet darbarīku ar spēku. Labāko rezultātu iespējams panākt ar vieglu spiedienu. Saglabājiet darbarīku šādā stāvoklī un nepieļaujiet tā novirzīšanos no cauruma.

Ja caurums nosprostojas ar skaidām vai materiāla daļiņām, nespiediet darbarīku spēcīgāk. Tā vietā darbiniet darbarīku tukšgaitā, tad daļēji izvelciet urbja uzgali no cauruma. Veicot šo darbību atkārtoti, caurums tiks iztīrīts, un varēsiet atsākt parasto urbšanu.

PIEZĪME: Darbinot darbarīku bez slodzes, urbja uzgaļa griešanās var nebūt centrēta. Darba laikā darbarīks iecentrējas automātiski. Tas neietekmē urbšanas precizitāti.

Atšķelšana/materiālu noņemšana/nojaukšana

Pagrieziet darba režīma pārslēdzēju pret simbolu ∇ . Stingri turiet darbarīku ar abām rokām. Ieslēdziet darbarīku un nedaudz uzspiediet uz tā, lai darbarīks nevadāmi nelēkātu. Stingri spiežot darbarīku, tā efektivitāte nepalīelināsies.

► **Att.27**

Urbšana kokā vai metālā


⚠UZMANĪBU: Stingri turiet darbarīku un īpaši uzmanieties brīdī, kad urbja uzgali sāk virzīties cauri apstrādājamajai daļai. Cauruma izveides brīdī uz darbarīku un uzgali iedarbojas ļoti liels spēks.

⚠UZMANĪBU: Iestrēgušu urbja uzgali var atbrīvot, vienkārši uzstādot griešanās virziena pārslēdzēju pretējā virzienā, lai urbis tiktu virzīts atpakaļ virzienā uz āru. Taču uzmanieties, jo, ja ierīci nierzēsiet stingri, tā var strauji virzīties atpakaļ.

⚠UZMANĪBU: Nelielas apstrādājamas detaļas vienmēr ievietojiet skrūvspīlēs vai citā stiprinājuma ierīcē.

IEVĒRĪBAI: Nekad neizmantojiet „trīcienurbšanas” režīmu, ja darbarīkam ir uzstādīta urbja spīlpatrona. Urbja spīlpatrona var tikt bojāta. Mainot darbarīka griešanās virzienu, urbja spīlpatrona nokrītīs.

IEVĒRĪBAI: Pārmērīgs spiediens uz darbarīku urbšanas ātrumu nepalielinās. Patiesībā pārmērīgs spiediens tikai sabojās urbja uzgali, samazinās darbarīka jaudu un saīsina tā kalpošanas laiku.

Pagrieziet darbības režīma maiņas gredzenu pret simbolu .

Modeļiem HR2650/HR2651/HR2661

Papildpiederumi

Pievienojiet spīlpatronas pāreju urbja spīlpatronai bez atslēgas, kurā var ievietot 1/2"-20 izmēra skrūvi, un pēc tam pievienojiet to darbarīkam. Veicot uzstādīšanu, skatiet sadaļu „Urbja uzgala uzstādīšana un noņemšana”.

- **Att.28:** 1. Urbja spīlpatrona bez atslēgas
2. Spīlpatronas pāreja

Paredzēts modelim HR2651T


Izmantojiet ātrās nomaņas urbja spīlpatronu kā standartpiederumu. Veicot uzstādīšanu, skatiet „SDS-plus ātrās nomaņas spīlpatronas maiņa”. Turiet gredzenu un grieziet uzmavu pretēji pulksteņrādītāju kustības virzienam, lai atvērtu spīlpatronas spiles. Ievietojiet uzgali spīlpatronā līdz galam. Cieši turiet gredzenu un grieziet uzmavu pulksteņrādītāju kustības virzienā, lai pievilktu spīlpatronu.

- **Att.29:** 1. Uzmava 2. Gredzens

Lai izņemtu uzgali, turiet gredzenu un grieziet uzmavu pretēji pulksteņrādītāju kustības virzienam.

Urbšana ar dimanta cilindrisko urbi

IEVĒRĪBAI: Ja urbsiet ar dimanta cilindrisko urbi, izmantojot „trīcienurbšanas” režīmu, dimanta cilindriskais urbis var tikt bojāts.

Urbjot ar dimanta cilindrisko urbi, vienmēr uzstādiet darba režīma pārslēdzēju stāvoklī , lai izmantotu „parastas urbšanas” darbību.

Putekļu likvidēšana

⚠UZMANĪBU: Vienmēr pārliecinieties, ka darbarīks ir izslēgts un atvienots no barošanas, pirms veicat jebkādas darbības ar darbarīku.

⚠UZMANĪBU: Likvidējot putekļus, lietojiet respiratoru.

⚠UZMANĪBU: Regulāri iztukšojiet putekļu tvertni, pirms tā kļūvusi pilna. Neievērojot šo noteikumu, var samazināties putekļu savākšanas spēja un var ielopot putekļus.

⚠UZMANĪBU: Putekļu tvertnes filtram aizsprostojoties, samazinās putekļu savākšanas spēja. Iesakām putekļu filtru nomainīt pret jaunu apmēram pēc 200 putekļu savākšanas reizēm. Neievērojot šo noteikumu, var ielopot putekļus.

1. Spiežot lejup putekļu tvertnes sviru, izņemiet putekļu tvertni.
► **Att.30:** 1. Svira
2. Atveriet putekļu tvertnes vāciņu.
► **Att.31:** 1. Vāciņš
3. Izberiet putekļus un pēc tam iztīriet filtru.
► **Att.32**

IEVĒRĪBAI: Netīriet filtru ar suku vai līdzīgu priekšmetu, kā arī nepūstiet filtrā saspīestu gaisu. Tas var sabojāt filtru.

Izpūšanas balons

Papildpiederumi

Pēc cauruma izurbšanas ar izpūšanas balonu iztīriet putekļus no cauruma.

- **Att.33**

Putekļu piltuves komplekta lietošana

Papildpiederumi

Lietojot darbarīku, turiet putekļu piltuves komplektu pret griestiem.

- **Att.34**

IEVĒRĪBAI: Nelietojiet putekļu piltuves komplektu, urbjot metālā vai tamlīdzīgā materiālā. Tā kā metāla putekļi un tamlīdzīgi materiāli rada karstumu, putekļu piltuves komplektu var sabojāt.

IEVĒRĪBAI: Neuzstādiet un nenoņemiet putekļu piltuves komplektu, ja darbarīkā ir ievietots urbja uzgali. Tādējādi var sabojāt putekļu piltuves komplektu, un var rasties putekļu noplūde.

APKOPE

⚠️UZMANĪBU: Pirms veikt pārbaudi vai apkopi, vienmēr pārliecinieties, ka darbarīks ir izslēgts un atvienots no barošanas.

IEVĒRĪBAI: Nekad neizmantojiet gazolinu, benzīnu, atšķaidītāju, spirtu vai līdzīgus šķidrumus. Tas var radīt izbalēšanu, deformāciju vai plaisas.

Lai saglabātu izstrādājuma DROŠU un UZTICAMU darbību, remontdarbus, apkopi un regulēšanu uzticiet veikt tikai Makita pilnvarotam vai rūpnīcas apkopes centram, un vienmēr izmantojiet tikai Makita rezerves daļas.

Putekļu tvertnes filtra maiņa

1. Spiežot lejup putekļu tvertnes sviru, izņemiet putekļu tvertni.
▶ **Att.35:** 1. Svira
2. Ievietojiet plakangala skrūvgriezi filtra vāciņa atverēs, lai noņemtu filtra korpusu un filtru.
▶ **Att.36:** 1. Plakangala skrūvgriezis 2. Filtra korpus
3. No filtra korpusa izņemiet filtru.
▶ **Att.37:** 1. Filtrs 2. Filtra korpus
4. Filtra korpusā ievietojiet jaunu filtru, pēc tam pievienojiet to putekļu tvertnei, filtra korpusa izvirkījumus savietojot ar putekļu tvertnes rievu.
▶ **Att.38:** 1. Izvirkījums 2. Rieva
5. Aizveriet putekļu tvertnes vāciņu un pēc tam pievienojiet tvertni pie darbarīka.

Hermētiskā vāciņa maiņa

Ja hermētiskais vāciņš ir nodilis, putekļu savākšanas spēja samazinās. Nomainiet to, ja tas ir nodilis. Noņemiet hermētisko vāciņu un pēc tam uzlieciet jaunu ar izvirkījumiem uz āru.

- ▶ **Att.39:** 1. Izvirkījums 2. Hermētiskais vāciņš

PAPILDU PIEDERUMI

⚠️UZMANĪBU: Šādi piederumi un papildierīces tiek ieteiktas lietošanai ar šajā rokasgrāmatā aprakstīto Makita darbarīku. Izmantojot citus piederumus vai papildierīces, var tikt radīta traumu gūšanas bīstamība. Piederumu vai papildierīci izmantojiet tikai paredzētajam mērķim.

Ja jums vajadzīga palīdzība vai precīzāka informācija par šiem piederumiem, vērsieties savā tuvākajā Makita apkopes centrā.

- Urbja uzgali ar karbīdu (SDS Plus ar karbīdu stiegroti uzgali)
- Kroņurbis
- Punktsitis
- Dimanta kroņurbis
- Metāla kalts
- Materiālu noņemšanas kalts
- Rievu velmēšanas kalts
- Spīļpatronas pāreja
- Urbja spīļpatrona bez atslēgas
- Uzgaļu smērviena
- Dzīļummērs
- Izpūšanas balons
- Putekļu piltuve
- Putekļu piltuves komplekts
- Aizsargbrilles
- Pārnēsāšanas futrālis no plastmasas

PIEZĪME: Daži sarakstā norādītie izstrādājumi var būt iekļauti instrumenta komplektācijā kā standarta piederumi. Tie dažādās valstīs var būt atšķirīgi.

SPECIFIKACIJOS

Modelis:		HR2650	HR2651	HR2651T	HR2661
Pajėgumai	Betonas	26 mm			
	Šerdinis grąžtas	68 mm			
	(Sausojo tipo) deimantinis šerdinis grąžtas	80 mm			
	Plienas	13 mm			
	Medis	32 mm			
Be apkrovos	0–1 200 min ⁻¹			0–1 100 min ⁻¹	
Smūgių per minutę	0–4 600 min ⁻¹			0–4 500 min ⁻¹	
Bendrasis ilgis	604 mm		630 mm	666 mm	
Grynasis svoris	3,0–4,1 kg	3,1–4,2kg	3,2–4,4kg	3,3–4,4kg	
Saugos klasė	□/II				

- Atlikame tęsinius tyrimus ir nuolatos tobuliname savo gaminius, todėl čia pateikiamos specifikacijos gali būti keičiamos be įspėjimo.
- Skirtingose šalyse specifikacijos gali skirtis.
- Svoris gali priklausyti nuo priedo (-ų). Lengviausias ir sunkiausias deriniai pagal EPTA 2014 m. sausio mėn. procedūrą yra nurodyti lentelėje.

Numatytoji naudojimo paskirtis

Šis įrankis skirtas smūginiam ir paprastam plytų, betono ir akmens gręžimui.

Taip pat jis tinka nesmūginiam medienos, metalo, keramikos ir plastmasės gręžimui.

Elektros energijos tiekimas

Įrenginiui turi būti tiekiami tokios įtampos elektros energija, kaip nurodyta duomenų lentelėje; įrenginys veikia tik su vienfazė kintamąja srove. Jie yra dvigubai izoliuoti, todėl gali būti naudojami prijungus prie elektros lizdo be žeminiimo laido.

Triukšmas

Įprastas triukšmo A lygis, nustatytas pagal EN60745:

Modelis HR2650

Garso slėgio lygis (L_{pA}): 91 dB (A)
 Garso galios lygis (L_{WA}): 102 dB (A)
 Paklaida (K): 3 dB (A)

Modelis HR2651

Garso slėgio lygis (L_{pA}): 92 dB (A)
 Garso galios lygis (L_{WA}): 103 dB (A)
 Paklaida (K): 3 dB (A)

Modelis HR2651T

Garso slėgio lygis (L_{pA}): 92 dB (A)
 Garso galios lygis (L_{WA}): 103 dB (A)
 Paklaida (K): 3 dB (A)

Modelis HR2661

Garso slėgio lygis (L_{pA}): 90 dB (A)
 Garso galios lygis (L_{WA}): 101 dB (A)
 Paklaida (K): 3 dB (A)

ĮSPĖJIMAS: Dėvėkite ausų apsaugą.

Vibracija

Vibracijos bendroji vertė (triaišio vektoriaus suma) nustatyta pagal EN60745 standartą:

Modelis HR2650

Darbo režimas: smūginis betono gręžimas
 Vibracijų intensyvumas ($a_{h,HD}$): 12,5 m/s²
 Paklaida (K): 1,5 m/s²

Darbo režimas: kalimo funkcija, naudojant šoninį spaustuva

Vibracijų intensyvumas ($a_{h,Chaq}$): 9,5 m/s²
 Paklaida (K): 1,5 m/s²

Darbo režimas: metalo gręžimas

Vibracijos emisija ($a_{h,D}$): 2,5 m/s²
 Paklaida (K): 1,5 m/s²

Modelis HR2651

Darbo režimas: smūginis betono gręžimas
 Vibracijų intensyvumas ($a_{h,HD}$): 11,5 m/s²

Paklaida (K): 1,5 m/s²

Darbo režimas: kalimo funkcija, naudojant šoninę rankeną

Vibracijų intensyvumas ($a_{h,Chaq}$): 9,0 m/s²
 Paklaida (K): 1,5 m/s²

Darbo režimas: metalo gręžimas

Vibracijos emisija ($a_{h,D}$): 2,5 m/s²
 Paklaida (K): 1,5 m/s²

Modelis HR2651T

Darbo režimas: smūginis betono gręžimas
 Vibracijų intensyvumas ($a_{h,HD}$): 11,5 m/s²

Paklaida (K): 1,5 m/s²

Darbo režimas: kalimo funkcija, naudojant šoninę rankeną

Vibracijų intensyvumas ($a_{h,Chaq}$): 9,0 m/s²
 Paklaida (K): 1,5 m/s²

Darbo režimas: metalo gręžimas

Vibracijos emisija ($a_{h,D}$): 2,5 m/s²
 Paklaida (K): 1,5 m/s²

Modelis HR2661

Darbo režimas: smūginis betono gręžimas

Vibracijų intensyvumas ($a_{h,HD}$): 9,5 m/s²

Paklaida (K): 1,5 m/s²

Darbo režimas: kalimo funkcija, naudojant šoninę rankeną

Vibracijų intensyvumas ($a_{h,Cheq}$): 6,0 m/s²

Paklaida (K): 1,5 m/s²

Darbo režimas: metalo gręžimas

Vibracijos emisija ($a_{h,D}$): 2,5 m/s² arba mažiau

Paklaida (K): 1,5 m/s²

PASTABA: Paskelbtasis vibracijos emisijos dydis nustatytas pagal standartinį testavimo metodą ir jį galima naudoti vienam įrankiui palyginti su kitu.

PASTABA: Paskelbtasis vibracijos emisijos dydis taip pat gali būti naudojamas preliminariai įvertinti vibracijos poveikį.

⚠️ ĮSPĖJIMAS: Faktiškai naudojant elektrinį įrankį, keliamos vibracijos dydis gali skirtis nuo paskelbto dydžio, priklausomai nuo būdų, kuriais yra naudojamas šis įrankis.

⚠️ ĮSPĖJIMAS: Siekdami apsaugoti operatorių, būtina įvertinkite saugos priemones, remdamiesi vibracijos poveikio įvertinimu esant faktinėms naudojimo sąlygoms (atsižvelgdami į visas darbo ciklo dalis, pavyzdžiui, ne tik kiek laiko įrankis veikia, bet ir kiek kartų jis yra išjungiamas bei kai jis veikia be apkrovų).

EB atitikties deklaracija

Tik Europos šalis

EB atitikties deklaracija yra pridėdama kaip šio instrukcijų vadovo A priedas.

SAUGOS ĮSPĖJIMAI

Bendrieji įspėjimai dirbant elektriniais įrankiais

⚠️ ĮSPĖJIMAS: Perskaitykite visus saugos įspėjimus, instrukcijas, iliustracijas ir techninius duomenis, pateiktus kartu su šiuo elektriniu įrankiu. Nesilaikant visų toliau išvardytų instrukcijų galima patirti elektros smūgį, gali kilti gaisras ir (arba) galima sunkiai susižaloti.

Išsaugokite visus įspėjimus ir instrukcijas, kad galėtumėte jas peržiūrėti ateityje.

Terminas „elektrinis įrankis“ pateiktuose įspėjimuose reiškia į maitinimo tinklą jungiamą (laidinį) elektrinį įrankį arba akumuliatoriaus maitinamą (belaidį) elektrinį įrankį.

ĮSPĖJIMAI DĖL SMŪGINIO PERFORATORIAUS SAUGOS

1. Naudokite klausos apsaugos priemones. Nuo triukšmo galima prarasti klausą.
2. Naudokite su įrankiu pridėtą išorinę rankeną (rankenas). Nesuvaldžius įrankio, galima susižeisti.
3. Atliksdami darbus, kurių metu pjovimo antgalis galėtų užkliudyti nematomą laidą arba savo paties laidą, laikykite elektrinius įrankius už izoliuotų paviršių. Pjovimo antgaliai prisilietus prie laido, kuriuo teka elektros srovė, neizoliuotos metalinės elektrinio įrankio dalys gali sukelti elektros smūgį ir nutrenkti operatorių.
4. Užsidėkite kietą galvos apdangalą (apsauginį šalmą), apsauginius akinius ir (arba) veido skydelį. Įprastiniai akiniai ar akiniai nuo saulės NĖRA apsauginiai akiniai. Taip pat primygtinai rekomenduojama užsidėti kaukę, saugančią nuo dulkių, ir pirštines su storu pamušalu.
5. Prieš pradėdami dirbti įsitikinkite, kad grąžtas tinkamai įtvirtintas.
6. Įprastai naudojant įrankį, jis vibruoja. Varžtai gali lengvai atsiskirti, o tai gali tapti gedimo arba nelaimingo atsitikimo priežastimi. Prieš pradėdami dirbti atidžiai patikrinkite, ar varžtai gerai priveržti.
7. Šaltu oru, arba jei įrankiu nesinaudojote ilgą laiką, leiskite įrankiui šiek tiek išilti naudodami jį be apkrovos. Tada tepalas suminkštės. Tinkamai neįšildžius įrankio, bus sunku kalti.
8. Būtinai įsitikinkite, kad tvirtai stovite. Jei naudojate įrankį aukštai, įsitikinkite, ar apačioje nėra žmonių.
9. Laikykite įrankį tvirtai už abiejų rankenų.
10. Žiūrėkite, kad rankos būtų kuo toliau nuo judamųjų dalių.
11. Nepalikite veikiančio įrankio. Naudokite įrankį tik laikydami rankomis.
12. Dirbdami nenukreipkite veikiančio įrankio į žmones. Kalamasis grąžtas gali išlėkti ir ką nors sunkiai sužeisti.
13. Nelieskite grąžto, šalia esančių dalių arba ruošinio iškart po naudojimo; jie gali būti itin karšti ir nudeginti odą.
14. Kai kuriose medžiagose esama cheminių medžiagų, kurios gali būti nuodingos. Saugokitės, kad neįkvėptumėte dulkių ir nesiliestumėte oda. Laikykitės medžiagų tiekėjo saugos duomenų.
15. Nelieskite maitinimo kištuko drėgnomis rankomis.

SAUGOKITE ŠIAS INSTRUKCIJAS.

⚠️ ĮSPĖJIMAS: NELEISKITE, kad patogumas ir gaminio pažinimas (įgyjamas pakartotinai naudojant) susilpnintų griežtą saugos taisyklių, taikytinų šiam gaminiui, laikymąsi. Dėl NETINKAMO NAUDOJIMO arba saugos taisyklių, kurios pateiktos šioje instrukcijoje, nesilaikymo galima rimtai susižeisti.

VEIKIMO APRAŠYMAS

▲ PERSPĖJIMAS: Prieš pradėdami reguliuoti arba tikrinti įrankio veikimą, visuomet būtinai išjunkite įrankį ir atjunkite jį nuo maitinimo tinklo.

Jungiklio veikimas

▲ PERSPĖJIMAS: Prieš jungdami įrenginį visada patikrinkite, ar svirtinis gaidukas gerai įsijungia, o atleistas grįžta į padėtį OFF (išjungta).

▲ PERSPĖJIMAS: Kai įrankis naudojamas ilgą laiko tarpą, operatoriaus patogumui jungiklį galima užfiksuoti į „ON“ (įjungta) padėtį. Būkite atsargūs, užfiksuodami įrankį į „ON“ (įjungta) padėtį ir tvirtai laikykite įrankio rankena.

► **Pav.1:** 1. Gaidukas 2. Atlaisvinimo mygtukas

► **Pav.2:** 1. Gaidukas 2. Fiksavimo mygtukas





Jei norite paleisti įrankį, tiesiog patraukite jungiklio gaiduką. Stipriau spaudžiant jungiklio gaiduką, įrankio veikimo greitis didėja. Norėdami išjungti, atleiskite svirtinį gaiduką.

Kad įrenginys neišsijungtų, patraukite jungiklio gaiduką ir paspauskite fiksavimo mygtuką, paskui jungiklio gaiduką atleiskite. Norėdami sustabdyti įrankį, kai gaidukas užfiksuotas, paspauskite gaiduką iki galo ir tada jį atleiskite.



Atbulinės eigos jungimas

▲ PERSPĖJIMAS: Prieš naudodami visuomet patikrinkite sukimosi kryptį.

PASTABA: Atbulinės eigos jungiklį naudokite tik įrankiui visiškai sustojus. Jei keisite sukimosi kryptį prieš įrankiui sustojant, galite sugadinti įrankį.



PASTABA: Jeigu gaiduko nuspausti negalite, patikrinkite, ar atbulinės eigos svirtelė iki galo nustatyta į padėtį  /  (A pusė) arba  /  (B pusė).

Naudojant HR2650 / HR2651 / HR2651T

Šis įrankis turi atbulinės eigos svirtelę sukimosi kryptčiai keisti. Pastumkite atbulinės eigos svirtelę į padėtį  (A pusė), kad suktysi pagal laikrodžio rodyklę (pirmyn), arba padėtį  (B pusė), kad suktysi prieš laikrodžio rodyklę (atbulinė eiga).

► **Pav.3:** 1. Atbulinės eigos svirtelė

HR2661

Šis įrankis turi atbulinės eigos svirtelę sukimosi kryptčiai keisti. Pastumkite atbulinės eigos svirtelę į padėtį  (A pusė), kad suktysi pagal laikrodžio rodyklę (pirmyn), arba padėtį  (B pusė), kad suktysi prieš laikrodžio rodyklę (atbulinė eiga).

► **Pav.4:** 1. Atbulinės eigos svirtelė

PASTABA: Kai dirbate įrankiu, grąžtui sukantis prieš laikrodžio rodyklę, gaidukas yra tik pusiau nuspauštas, ir įrankis veikia vidutiniu greičiu. Kai grąžtas sukasi prieš laikrodžio rodyklę, fiksavimo mygtuko nuspaušti negalima.


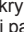
Greitai pakeičiamo „SDS-plus“ griebtuvo pakeitimas

HR2651T

Greitai pakeičiamą grąžto griebtuvą galima greitai pakeisti „SDS-plus“ griebtuvu.



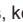
Greitai pakeičiamo „SDS-plus“ griebtuvo išėmimas

▲ PERSPĖJIMAS: Prieš ištraukdami greitai pakeičiamą „SDS-plus“ griebtuvą, būtinai ištraukite grąžtą.

Suimkite „SDS-plus“ griebtuvo keičiamąjį gaubtelį ir pasukite jį rodyklės kryptimi, kol keičiamąjį gaubtelio linija pasislinkus nuo  žymės prie  žymės. Stipriai patraukite rodyklės kryptimi.

► **Pav.5:** 1. Greitai pakeičiamas „SDS-plus“ griebtuvas 2. Keičiamasis gaubtelis 3. Keičiamąjį gaubtelio linija

Greitai pakeičiamo grąžto griebtuvo įdėjimas

Patikrinkite, ar greitai pakeičiamo grąžto griebtuvo linija yra ties  žyme. Suimkite greitai pakeičiamą grąžto griebtuvo keičiamąjį gaubtelį ir nustatykite liniją ties  žyme. Uždėkite greitai pakeičiamą grąžto griebtuvą ant įrankio veleno. Suimkite greitai pakeičiamą grąžto griebtuvo keičiamąjį gaubtelį ir sukite jo liniją link  žymės, kol išgirsite spragtelėjimą.


► **Pav.6:** 1. Greitai pakeičiamas grąžto griebtuvas 2. Velenas 3. Keičiamąjį gaubtelio linija 4. Keičiamasis gaubtelis

Veikimo režimo pasirinkimas

PASTABA: Nesukite veikimo režimo keitimo rankenėlės, kai įrankis įjungtas. Galite sugadinti įrankį.

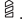
PASTABA: Norėdami išvengti greito režimo keitimo mechanizmo nusidėvėjimo, pakeitę režimą visada patikrinkite, ar tiksliai nustatėte veikimo režimo keitimo rankenėlę vienoje iš trijų veikimo režimo padėčių.

Kalamasis gręžimas

Norėdami gręžti betoną, mūrą ir pan., pasukite veikimo režimo keitimo rankenėlę ties  simboliu. Naudokite volframo karbido grąžtą (pasirenkamas priedas).

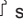
► **Pav.7:** 1. Kalamasis gręžimas 2. Veikimo režimo keitimo svirtelė

Tik gręžimas

Norėdami gręžti medį, metalą arba plastmasę, pasukite veikimo režimo keitimo rankenėlę ties simboliu  . Naudokite spiralinį arba medžio grąžtą.

► **Pav.8:** 1. Tik gręžimas

Tik kalimas

Norėdami atlikti nudaužymo, grandymo arba griovimo darbus, pasukite veikimo režimo keitimo rankenėlę ties  simboliu. Naudokite smailųjį kaltelį, plieninį kirstuką, grandomąjį kaltelį ir pan.

► **Pav.9:** 1. Tik kalimas

Antgalio padėties nustatymas

Laikydami nuspaudę kreiptuvo reguliavimo mygtuką, spauskite kreiptuvą, o jam pasiekus pageidaujamą padėtį, mygtuką atleiskite.

► **Pav.10:** 1. Kreiptuvas 2. Kreiptuvo reguliavimo mygtukas

PASTABA: Prieš reguliuodami antgalio padėtį, visiškai atleiskite antgalio priekinę dalį, paspausdami kreiptuvo reguliavimo mygtuką.

Gręžimo gylio reguliavimas

Spausdami stumkite gylio reguliavimo mygtuką į norimą padėtį. Atstumas (A) yra gręžimo gylis.

► **Pav.11:** 1. Gylio reguliavimo mygtukas

Sukimo momento ribotumas

PASTABA: Suveikus sukimo momento ribotuvui, nedelsdami išjunkite įrankį. Šitaip apsaugosite įrankį ir jis nesusidėvės anksčiau laiko.

PASTABA: Tokie antgaliai, kaip pjūklai skylėms prapjauti, kurie gali būti lengvai sužnybti arba įstrigti skylėje, netinka naudoti su šiuo įrankiu. Jie netinka dėl to, kad jiems įstrigus, per dažnai įsijungs sukimo momento ribotumas.

Sukimo momento ribotumas suveiks pasiekus tam tikrą sukimo momento lygį. Variklis bus atjungtas nuo išvesties veleno. Taip atsitikus, grąžtas liausis sukėsis.

Kablys

▲ PERSPĖJIMAS: Niekada nekabinkite įrankio labai aukštai arba nedėkite ant paviršiaus, kuris gali būti nestabilus.

HR2661

► **Pav.12:** 1. Kablys

Kablys yra patogus, kai norite trumpam pakabinti įrankį. Norėdami naudoti kabli, tiesiog pakelkite ir atverskite kabli, kad jis spragtelėdamas užsifikuotų. Kai jo nenaudojate, visada lenkite kabli, kol jis spragtelės, užfiksuojamasis j nuleista padėtį.

SURINKIMAS

▲ PERSPĖJIMAS: Prieš ką nors darydami su įrankiu, visada patikrinkite, ar jis išjungtas, o laido kištukas ištrauktas iš elektros lizdo.

Šoninė rankena (papildoma rankena)

▲ PERSPĖJIMAS: Visada naudokitės šonine rankena, kad užtikrintumėte darbo saugą.

▲ PERSPĖJIMAS: Sumontavę arba reguliuodami šoninę rankeną patikrinkite, ar ji yra tvirtai pritvirtinta.

Sumontuokite šoninę rankeną taip, kad ant jos esantys grioveliai tilptų tarp įrankio vamzdžio išsikišimų. Pasukite rankeną pagal laikrodžio rodyklę ir užfiksuo­kite ją. Rankeną galima užfiksuoti, pakreipus norimu kampu.

► **Pav.13:** 1. Šoninis spaustavas

Tepalas

Sutepkite įkištą grąžto galvutę nedideliu kiekiu tepalo (maždaug 0,5–1 g).

Taip sutepus galvutę, prietaisas veiks ilgiau ir geriau.

Grąžto įdėjimas ir išėmimas

Nuvalykite įkištą grąžto galvutę ir sutepkite prieš įdėdami grąžtą.

► **Pav.14:** 1. Grąžto galvutė 2. Tepalas

Įkiškite grąžtą į įrankį. Pasukite grąžtą ir stumkite, kol įsistatys. Sumontavę grąžtą, visada patikrinkite, ar grąžtas saugiai laikosi, pabandydami jį ištraukti.

► **Pav.15:** 1. Grąžtas


Norėdami ištraukti grąžtą, atitraukite kumštelinio griebtuvo gaubtą iki galo žemyn ir ištraukite grąžtą.

► **Pav.16:** 1. Grąžtas 2. Kumštelinio griebtuvo gaubtas

Kalto kampas (nudaužymo, grandymo arba griovimo darbams)

Kaltą galima užtvirtinti, pakreipus jį norimu kampu. Norėdami pakeisti kalto įtaisymo kampą, pasukite veikimo režimo keitimo rankenėlę ties O simboliu. Pasukite kaltą norimu kampu.

► **Pav.17:** 1. Veikimo režimo keitimo svirtelė

Pasukite veikimo režimo keitimo rankenėlę ties  simboliu. Tuomet truputį pasukdami kaltą, patikrinkite, ar jis įdėtas tvirtai.

Gylio ribotumas

Gylio ribotuvą patogiu būdu naudoti gręžiant vienodo gylio skylės. Atlaisvinkite šoninę rankeną ir įdėkite gylio ribotuvą į skylę šoninėje rankenoje. Sureguliuokite gylio ribotuvą iki norimo gylio ir tvirtai priveržkite šoninę rankeną.

► **Pav.18:** 1. Skylutė 2. Gylio ribotumas

PASTABA: Kai tvirtinate, užtikrinkite, kad gylio ribotumas nelieštų įrankio pagrindinio korpuso.

Dulkių surinkimo sistemos uždėjimas arba nuėmimas

Norėdami nuimti dulkių surinkimo sistemą, spausdami atlaisvinimo mygtuką traukite įrankį. Norėdami ją uždėti, kiškite įrankį į dulkių surinkimo sistemą iki galo, kol jis užsifiksuos spragtelėdamas.

► **Pav.19:** 1. Atlaisvinimo mygtukas

Dulkių rinktuvas

Pasirenkamasis priedas

Dulkių rinktuvas skirtas tam, kad dulkės nekristų ant įrenginio ir jūsų, kai dirbate gražtą iškelę virš galvos. Prie galvutės pritvirtinkite dulkių rinktuvą. Toliau nurodyti galvučiai, prie kurių galima pritvirtinti dulkių rinktuvą, dydžiai.

Modelis	Galvutės skersmuo
Dulkių rinktuvas 5	6–14,5 mm
Dulkių rinktuvas 9	12–16 mm

► **Pav.20:** 1. Dulkių rinktuvas

Dulkių rinktuvo komplektas

Pasirenkamasis priedas

Prieš įdėdami dulkių rinktuvo komplektą, išimkite gražtą iš įrankio, jeigu jis įdėtas.

Uždėkite dulkių rinktuvo komplektą ant įrankio taip, kad ant dulkių rinktuvo esanti žymė \triangle būtų suligiuota su įrankyje esančiu grioveliu.

► **Pav.21:** 1. \triangle žymė 2. Griovelis

PASTABA: Jeigu prie dulkių rinktuvo komplekto prijungsite dulkių siurbį, prieš jungdami, nuimkite dulkių dangtelį.

► **Pav.22:** 1. Dulkių dangtelis

Norėdami nuimti dulkių rinktuvo komplektą, traukdami griebtuvo dangtelį rodyklės kryptimi nuimkite gražtą.

► **Pav.23:** 1. Antgalis 2. Kumštelinio griebtuvo gaubtas

Laikykite už dulkių rinktuvo pagrindo ir jį ištraukite.

► **Pav.24**

PASTABA: Jeigu nusiima dulkių rinktuvo dangtelis, uždėkite jį taip, kad su spaudiniu esanti pusė būtų viršuje, o dangtelio grioveliai tilptų į priedo vidinį kraštą.

► **Pav.25**

NAUDOJIMAS

▲ PERSPĖJIMAS: Darbo metu visada tvirtai laikykite įrankį už šoninės (papildoma rankena) ir pagrindinės rankenų.

▲ PERSPĖJIMAS: Prieš darbą visada įtvirtinkite ruošinį.

▲ PERSPĖJIMAS: Dulkių surinkimo sistema skirta naudoti tik gręžiant betoną. Nenaudokite dulkių surinkimo sistemos, gręždami metalą arba medieną.

▲ PERSPĖJIMAS: Kai įrankį naudojate kartu su dulkių surinkimo sistema, būtinai prie dulkių surinkimo sistemos pritvirtinkite filtrą, kuris apsaugos, kad neįkvėptumėte dulkių.

▲ PERSPĖJIMAS: Prieš naudodami dulkių surinkimo sistemą, patikrinkite, ar filtras nesugadintas. Nesilaikant šių nurodymų, kyla pavojus įkvėpti dulkių.

▲ PERSPĖJIMAS: Dulkių surinkimo sistema surenka dideliu greičiu susidarancias dulkes, tačiau gali būti surinktos ne visos dulkės.

PASTABA: Nenaudokite dulkių surinkimo sistemos gręždami deimantiniu šerdimiu gražtu arba kaldami.

PASTABA: Nenaudokite dulkių surinkimo sistemos gręždami drėgną betoną arba nenaudokite jos drėgnoje vietoje. Nesilaikant šių nurodymų, kyla įrankio sugadinimo pavojus.

► **Pav.26**

Smūginis gręžimas

▲ PERSPĖJIMAS: Įrankį / gražto galvutę veikia didelė ir staigi sukamoji jėga, kai gręžiama skylė ir ji prisipildo nuolaužų ir dalelių arba kai įrankis / gražto galvutė atsitrenkia į betone esančią armatūrą. Darbo metu visada tvirtai laikykite įrankį už šoninės (papildoma rankena) ir pagrindinės rankenų. Kitaip galite prarasti įrankio valdymą ir susižeisti.

Nustatykite veikimo režimo keitimo rankenėlę ties T simboliu.

Nustatykite gražtą į norimą vietą ties skylė ir paspauskite gaiduką. Nespauskite įrankio jėga. Geriausių rezultatų pasiekiami spaudžiant nestipriai. Laikykite įrankį šioje padėtyje ir saugokite, kad nenuslystų nuo skylės.

Nespauskite stipriai, kai skylė prisipildo nuolaužų ir dalelių. Vietoj to leiskite įrankiui šiek tiek paveikti tuščiąja eiga, tada iš dalies ištraukite gražto galvutę iš skylės. Pakartojus tai keletą kartų, skylė bus išvalyta ir bus galima toliau gręžti.

PASTABA: Kai įrankis veikia be apkrovos, besisukantis gražtas gali išscentruoti. Darbo metu įrankis automatiškai pats susicentruoja. Tai neįtakoja gręžimo tikslumo.

Skėlimas/ nuodegų šalinimas / ardymas

Nustatykite veikimo režimo keitimo rankenėlę ties T simboliu.

Įrankį tvirtai laikykite abiem rankomis. Įrankį sukite ir nestipriai spauskite, kad jis nevaldomai nešokinėtų. Spaudžiant stipriai, darbo efektyvumas nepagerės.

► **Pav.27**

Gręžimas į medį arba metalą

▲ PERSPĖJIMAS: Laikykite įrankį tvirtai ir atsargiai žiūrėkite, kada grąžto galvutė pradės gręžti ruošinį. Įrankį / grąžto galvutę veikia didelė sukamoji jėga, kai gręžiama skylė.


▲ PERSPĖJIMAS: Įstrigusią grąžto galvutę galima ištraukti tiesiog atbulinės eigos jungiklį nustatant į atbulinės eigos padėtį. Tačiau įrankis gali grubiai judėti atgal, jei tvirtai nelaikysite įrankio.

▲ PERSPĖJIMAS: Visada pritvirtinkite apdirbamus gaminius spaustuose arba panašiose prietaise.

PASTABA: Jeigu ant įrenginio sumontuotas grąžto kumštelinis griebtuvas, nenaudokite „gręžimo ir kalimo“ režimo. Galite sugadinti grąžto kumštelinį griebtuvą.

Be to, apverčiant įrankį, grąžto griebtuvas nukris.

PASTABA: Per didelis įrankio spaudimas nepageidautinas gręžimo. Iš tikrųjų dėl tokio spaudimo gali būti pažeista grąžto galvutė, pablogėti įrankio darbas ir sutrumpėti jo eksploataavimo trukmė.

Nustatykite veikimo režimo keitimo rankenėlę ties  žyme.

Naudojant HR2650 / HR2651 / HR2661

Pasirenkamasis priedas

Pritvirtinkite griebtuvo suderintuvą prie berakčio grąžto kumštelinio griebtuvo, prie kurio galima prijungti 1/2"–20 dydžio sraigta, tada pritvirtinkite juos prie įrankio. Jį montuodami, žr. skyrių „Grąžto įdėjimas ir išėmimas“.

- **Pav.28:** 1. Berakčio grąžto kumštelinis griebtuvas
2. Griebtuvo suderintuvas

HR2651T

Naudokite standartinį greitai pakeičiamą grąžto griebtuvą. Kaip jį įtaisyti, žr. skyriuje „Greitai pakeičiamas „SDS-plus“ griebtuvo pakeitimas“.


Laikykite žiedą ir pasukite įvorę prieš laikrodžio rodyklę, kad atidarytumėte griebtuvo žiotis. Įdėkite grąžtą į kumštelinį griebtuvą tiek giliai, kiek lenda. Laikykite žiedą ir sukite įvorę prieš laikrodžio rodyklę, kad užtvirtintumėte griebtuvą.

- **Pav.29:** 1. Įvorė 2. Žiedas

Jei norite išimti grąžtą, laikykite žiedą ir pasukite įvorę prieš laikrodžio rodyklę.

Gręžimas deimantiniu šerdiniu grąžtu

PASTABA: Jeigu atliekant darbus deimantiniais šerdiniais grąžtais nustatytas „gręžimo ir kalimo“ režimas, gali būti sugadintas deimantinis šerdis grąžtas.

Jeigu naudojate deimantinius šerdinius grąžtus, veikimo režimo keitimo svirtelę nustatykite į  padėtį, kad būtų atliekamas „tik gręžimo“ veikimas.

Dulkių išmetimas

▲ PERSPĖJIMAS: Prieš ką nors darydami su įrankiu, visada patikrinkite, ar jis išjungtas, o laido kištukas ištrauktas iš elektros lizdo.

▲ PERSPĖJIMAS: Išmesdami dulkes būtina naudokite nuo dulkių apsaugančią kaukę.

▲ PERSPĖJIMAS: Prieš prisipildant dulkių rinktuvui, jį reguliariai ištuštinkite. To nepadarius, gali sumažėti dulkių surinkimo našumas ir galima įkvėpti dulkių.

▲ PERSPĖJIMAS: Dulkių surinkimo našumas sumažėja, jei užsikemša dulkių rinktuve esantis filtras. Pakeiskite filtrą nauju, kai dulkių rinktuvas užsipildo maždaug 200 kartų (orientyris). Nesilaikant šių nurodymų, kyla pavojus įkvėpti dulkių.

1. Spausdami ant dulkių rinktuvo esančią svirtį, nuimkite dulkių rinktuvą.

► **Pav.30:** 1. Svirtis

2. Atidarykite dulkių rinktuvo dangtelį.

► **Pav.31:** 1. Dangtelis

3. Pašalinkite dulkes, tada išvalykite filtrą.

► **Pav.32**

PASTABA: Valydami filtrą nepalieskite jo šepetėliu ar panašiu daiktu arba į jį nepūskite suslėgto oro. Taip galite sugadinti filtrą.

Išpūtimo kriaušė

Pasirenkamasis priedas

Išgręžę skylę naudokite išpūtimo kriaušę dulkiams iš skylės išvalyti.

► **Pav.33**

Dulkių rinktuvo komplekto naudojimas

Pasirenkamasis priedas

Kai naudojate įrankį, pritvirtinkite dulkių rinktuvo komplektą prie lubų.

► **Pav.34**

PASTABA: Nenaudokite dulkių rinktuvo komplekto, gręždami metalą arba panašią medžiagą. Dėl mažų metalo dulkių ar kitų dalelių išskiriamas karščio dulkių rinktuvo komplektas gali būti sugadintas.

PASTABA: Nedėkite ir neišimkite dulkių rinktuvo komplekto, kai grąžtas yra įdėtas į įrankį. Dulkių rinktuvo komplektas gali būti sugadintas, ir dulkių gali pasklisti.

TECHNINĖ PRIEŽIŪRA

▲PERSPĖJIMAS: Prieš pradėdami įrankio tikrinimo arba techninės priežiūros darbus, visuomet būtinai išjunkite įrankį ir atjunkite jį nuo maitinimo tinklo.

PASTABA: Niekada nenaudokite gazolino, benzino, tirpiklio, spirito arba panašių medžiagų. Gali atsirasti išblukimų, deformacijų arba įtrūkimų.

Kad gaminyt būtų SAUGUS ir PATIKIMAS, jį taisyti, apžiūrėti ar vykdyti bet kokį kitą priežiūrą ar derinimą turi įgaliotasis kompanijos „Makita“ techninės priežiūros centras; reikia naudoti tik kompanijos „Makita“ pagamintas atsargines dalis.

Dulkių rinktuvo filtro pakeitimas

1. Spausdami ant dulkių rinktuvo esančią svirtį, nuimkite dulkių rinktuvą.
▶ **Pav.35:** 1. Svirtis
2. Norėdami išimti filtro dėklą ir filtrą, į filtro dangtelio angas įkiškite plokščiąjį atsuktuvą.
▶ **Pav.36:** 1. Plokščiasis atsuktuvas 2. Filtro dėklas
3. Išimkite filtrą iš filtro dėklo.
▶ **Pav.37:** 1. Filtras 2. Filtro dėklas
4. Pritvirtinkite naują filtrą prie filtro dėklo, tada tvirtinkite juos prie dulkių rinktuvo, sulygiuodami filtro dėklo iškyšą su dulkių rinktuvo grioveliumi.
▶ **Pav.38:** 1. Iškyša 2. Griovelis
5. Uždarykite dulkių rinktuvo dangtelį, tada jį pritvirtinkite prie įrankio.

Sandarinimo dangtelio pakeitimas

Jei sandarinimo dangtelis nusidėvėjo, sumažėja dulkių surinkimo našumas. Jei jis nusidėvėjo, pakeiskite. Nuimkite sandarinimo dangtelį, tada pritvirtinkite naują, iškyšą nukreipdami į viršų.
▶ **Pav.39:** 1. Iškyša 2. Sandarinimo dangtelis

PASIRENKAMI PRIEDAI

▲PERSPĖJIMAS: Šiuos papildomus priedus arba įtaisus rekomenduojama naudoti su šioje instrukcijoje nurodytu „Makita“ bendrovės įrankiu. Naudojant bet kokius kitus papildomus priedus arba įtaisus, gali kilti pavojus sužeisti žmones. Naudokite tik nurodytam tikslui skirtus papildomus priedus arba įtaisus.

Jeigu norite daugiau sužinoti apie tuos priedus, kreipkitės į artimiausią „Makita“ techninės priežiūros centrą.

- Karbidiniai grąžto antgaliai (karbidiniai grąžto antgaliai „SDS-Plus“)
- Šerdinis grąžtas
- Piramidinis kaltas
- Deimantinis šerdinis grąžtas
- Šaltkalvio kaltelis
- Nuodegų šalinimo kirstukas
- Graviravimo kirstukas
- Griebtuvo suderintuvas
- Berakčio grąžto kumštelinis griebtuvas
- Grąžto antgalio tepalas
- Gylio ribotuvas
- Išpūtimo kriaušė
- Dulkių rinktuvas
- Dulkių rinktuvo komplektas
- Apsauginiai akiniai
- Plastikinis nešiojimo dėklas

PASTABA: Kai kurie sąrašė esantys priedai gali būti pateikti įrankio pakuotėje kaip standartiniai priedai. Jie įvairiose šalyse gali skirtis.

TEHNILISED ANDMED

Mudel:		HR2650	HR2651	HR2651T	HR2661
Võimekus	Betoon	26 mm			
	Südamikupuur	68 mm			
	Teemant-südamikupuur (kuiva tüüpi)	80 mm			
	Teras	13 mm			
	Puit	32 mm			
Koormuseta kiirus	0 - 1 200 min ⁻¹			0-1 100 min ⁻¹	
Löökide arv minutis	0 - 4 600 min ⁻¹			0-4 500 min ⁻¹	
Üldpikkus	604 mm		630 mm	666 mm	
Netokaal	3,0-4,1 kg	3,1-4,2 kg	3,2-4,4 kg	3,3-4,4 kg	
Ohutusklass	□/II				

- Meie pideva uuringu- ja arendusprogrammi tõttu võidakse tehnilisi andmeid muuta ilma sellest ette teatamata.
- Tehnilised andmed võivad riigiti erineda.
- Kaal võib erineda olenevalt lisaseadis(t)est. Kergeim ja raskeim kombinatsioon EPTA-protseduuri 01/2014 kohaselt on toodud tabelis.

Kavandatud kasutus

See tööriist on mõeldud telliste, betooni ja kivi löökpuurimiseks.

Lisaks sobib see puudu, metalli, keraamika ja plasti puurimiseks ilma löökmehanismi kasutamata.

Vooluvarustus

Seadet võib ühendada ainult andmesildil näidatud pingega vooluvõrku ning seda saab kasutada ainult ühefaasilisel vahelduvvoolutoitel. Seadmel on kahekordne isolatsioon ning seega võib seda kasutada ka ilma maandusjuhtmeta pistikupessa ühendatult.

Müra

Tüüpiline A-korrigeeritud müratase, määratud standardi EN60745 kohaselt:

Mudel HR2650

Helirõhutase (L_{pA}): 91 dB (A)

Helivõimsuse tase (L_{WA}): 102 dB (A)

Määramatus (K): 3 dB (A)

Mudel HR2651

Helirõhutase (L_{pA}): 92 dB (A)

Helivõimsuse tase (L_{WA}): 103 dB (A)

Määramatus (K): 3 dB (A)

Mudel HR2651T

Helirõhutase (L_{pA}): 92 dB (A)

Helivõimsuse tase (L_{WA}): 103 dB (A)

Määramatus (K): 3 dB (A)

Mudel HR2661

Helirõhutase (L_{pA}): 90 dB (A)

Helivõimsuse tase (L_{WA}): 101 dB (A)

Määramatus (K): 3 dB (A)

 **HOIATUS:** Kasutage kõrvakaitsmeid.

Vibratsioon

Vibratsiooni koguväärtus (kolmeteljeliste vektorite summa) määratud standardi EN60745 kohaselt:

Mudel HR2650

Töörežiim: betooni löökpuurimine

Vibratsiooniheide ($a_{h,HD}$): 12,5 m/s²

Määramatus (K): 1,5 m/s²

Töörežiim: külgakäepidemega meiseldamise funktsioon

Vibratsiooniheide ($a_{h,Cheq}$): 9,5 m/s²

Määramatus (K): 1,5 m/s²

Töörežiim: metalli puurimine

Vibratsiooniheide ($a_{h,D}$): 2,5 m/s²

Määramatus (K): 1,5 m/s²

Mudel HR2651

Töörežiim: betooni löökpuurimine

Vibratsiooniheide ($a_{h,HD}$): 11,5 m/s²

Määramatus (K): 1,5 m/s²

Töörežiim: külgakäepidemega meiseldamise funktsioon

Vibratsiooniheide ($a_{h,Cheq}$): 9,0 m/s²

Määramatus (K): 1,5 m/s²

Töörežiim: metalli puurimine

Vibratsiooniheide ($a_{h,D}$): 2,5 m/s²

Määramatus (K): 1,5 m/s²

Mudel HR2651T

Töörežiim: betooni löökpuurimine

Vibratsiooniheide ($a_{h,HD}$): 11,5 m/s²

Määramatus (K): 1,5 m/s²

Töörežiim: külgakäepidemega meiseldamise funktsioon

Vibratsiooniheide ($a_{h,Cheq}$): 9,0 m/s²

Määramatus (K): 1,5 m/s²

Töörežiim: metalli puurimine

Vibratsiooniheide ($a_{h,D}$): 2,5 m/s²

Määramatus (K): 1,5 m/s²

Mudel HR2661

Töörežiim: betooni löökpuurimine

Vibratsiooniheide ($a_{h,HD}$): 9,5 m/s²

Määramatus (K): 1,5 m/s²

Töörežiim: külgkäepidemega meiseldamise funktsioon

Vibratsioonihede ($a_{h, \text{Cheq}}$): $6,0 \text{ m/s}^2$

Määramatus (K): $1,5 \text{ m/s}^2$

Töörežiim: metalli puurimine

Vibratsioonihede ($a_{h, D}$): $2,5 \text{ m/s}^2$ või vähem

Määramatus (K): $1,5 \text{ m/s}^2$

MÄRKUS: Deklareeritud vibratsioonihete väärtus on mõõdetud kooskõlas standardse testimismeetodiga ning seda võib kasutada ühe seadme võrdlemiseks teisega.

MÄRKUS: Deklareeritud vibratsioonihete väärtust võib kasutada ka mürataseme esmaseks hindamiseks.

⚠HOIATUS: Vibratsioonitase võib elektritööriista tegelikkuses kasutamise ajal erineda deklareeritud väärtusest olenevalt tööriista kasutamise viisidest.

⚠HOIATUS: Rakendage operaatori kaitsmiseks kindlasti piisavaid ohutusabinõusid, mis põhinevad hinnangulisel müratasemel tegelikus tööolukorras (võttes arvesse tööperioodi kõiki osasid, nagu näiteks korrad, kui seade lülitatakse välja ja seade töötab tühikäigul, lisaks tööajale).

EÜ vastavusdeklaratsioon

Ainult Euroopa riikide puhul

EÜ vastavusdeklaratsioon sisaldub käesoleva juhendi Lisas A.

OHUTUSHOIATUSED

Üldised elektritööriistade ohutushoiatused

⚠HOIATUS: Lugege läbi kõik selle elektritööriistaga kaasas olevad ohutushoiatused, juhised, joonised ja tehnilised andmed. Järgnevate juhiste eiramine võib põhjustada elektrilöögi, süttimise ja/või raske kehavigastuse.

Hoidke edaspidisteks viideteks alles kõik hoiatused ja juhtnöörid.

Hoiatuses kasutatud termini „elektritööriist“ all peetakse silmas elektriga töötavaid (juhtmega) elektritööriistu või akuga töötavaid (juhtmeta) elektritööriistu.

PÖÖRLEVALE VASARALE KOHALDUVAD OHUTUSHOIATUSED

1. **Kasutage kuulmiskaitsmeid.** Kokkupuude müraga võib kahjustada kuulmist.
2. **Kasutage lisakäepidet/pidemeid, kui need on tööriistadega kaasas.** Kontrolli puudumine võib põhjustada inimestele vigastusi.

3. **Hoidke elektritööriistu isoleeritud haardepindadest, kui töotate kohas, kus lõiketera võib sattuda kokkupuutesse varjatud juhtmete ja seadme enda toitejuhtmega.** Voolu all oleva juhtmega kokkupuutesse sattunud lõiketera võib pingestada elektritööriista metallosi ning põhjustada kasutajale elektrilöögi.
4. **Kasutage kaitsekiivrit, kaitseprille ja/või näokaitset.** Tavalised prillid või päikesepriidid EI OLE kaitseprillid. Äärmiselt soovitatav on kasutada ka tolumumaski ja paksu polstriga kindaid.
5. **Enne tööriista kasutamist kontrollige, kas otsak on oma kohale fikseeritud.**
6. **Tööriista tavapärase kasutamisega kaasneb vibratsioon.** Kruvid võivad hõlpsalt lahti tulla, millega võib kaasneda tööriista purunemine või tööõnnetus. Enne tööriista kasutamist kontrollige hoolikalt kruvide pingutatust.
7. **Külma ilma korral või siis, kui tööriista ei ole pikemat aega kasutatud, laske tööriistal mõnda aega soojeneda, kaitades seda ilma koormuseta.** See tõstab määrdõli temperatuuri. Ilma nõuetekohase soojenemiseta on löökrežiimi kasutamine komplitseeritud.
8. **Veenduge alati, et teie jalgealune oleks kindel.** Kui töotate kõrguses, siis jälgige, et teist allpool ei viibiks inimesi.
9. **Hoidke tööriista kindlalt kahe käega.**
10. **Hoidke käed liikuvatest osadest eemal.**
11. **Ärge jätke tööriista käima.** Käivitage tööriist ainult siis, kui hoiate seda käes.
12. **Tööriista kasutamisel ärge suunake seda läheduses viibijate poole.** Otsak võib välja lennata ja põhjustada raskeid vigastusi.
13. **Ärge puudutage vahetult pärast tööriista kasutamist puuriotsakut, otsaku läheduses asuvaid osi ega töödeldavat detaali, sest need võivad olla väga kuumad ja nahka põletada.**
14. **Mõned materjalid võivad sisaldada mürgiseid aineid.** Võtke meetmed tolmu sissehingamise ja nahaga kokkupuute vältimiseks. Järgige materjali tarnija ohutusteavet.
15. **Ärge puudutage märgade kättega toitepistikut.**

HOIDKE JUHEND ALLES.

⚠HOIATUS: ÄRGE UNUSTAGE järgida toote ohutusnõudeid mugavuse või toote (korduskasutamisega saavutatud) hea tundmise tõttu. VALE KASUTUS või kasutusjuhendi ohutuseeskirjade eiramine võib põhjustada tervisekahjustusi.

FUNKTSIONAALNE KIRJELDUS

⚠ETTEVAATUST: Kandke alati hoolt selle eest, et tööriist oleks enne reguleerimist ja kontrollimist välja lülitatud ja vooluvõrgust lahti ühendatud.

Lüliti funktsioneerimine

⚠ETTEVAATUST: Kontrollige alati enne tööriista vooluvõrku ühendamist, kas lüliti päästik funktsioneerib nõuete kohaselt ja liigub lahtilaskmisel tagasi väljalülitatud asendisse.

⚠ETTEVAATUST: Pikemaajalisel kasutamisel saab operaatori mugavuse huvides lukustada lüliti sisse lülitatud asendisse. Tööriista lukustamisel sisse lülitatud asendisse olge ettevaatlik ja hoidke tööriista kindlas haardes.

► **Joon.1:** 1. Lüliti päästik 2. Lahtilukustusnupp

► **Joon.2:** 1. Lüliti päästik 2. Lukustusnupp

Tööriista tööle panemiseks on vaja lihtsalt lüliti päästikut vajutada. Tööriista kiirus kasvab siis, kui suurendate survet lüliti päästikule. Vabastage lüliti päästik tööriista seiskamiseks.

Katkestamatuks töötamiseks vajutage lüliti päästikut, lükake lukustusnupp sisse ja seejärel vabastage lüliti päästik. Lukustatud tööriista seiskamiseks tõmmake lüliti päästik lõpuni ning seejärel vabastage see.

Suunamuutmise lüliti töötamisviis

⚠ETTEVAATUST: Enne töö alustamist kontrollige alati pöörlemise suunda.

TÄHELEPANU: Kasutage suunamuutmislülitit alles pärast tööriista täielikku seiskumist. Enne tööriista seiskumist suuna muutmine võib tööriista kahjustada.

TÄHELEPANU: Kui lüliti päästikut ei saa alla vajutada, kontrollige, kas suunamuutmise lüliti on seatud täielikult asendisse ◁ / ▷ (A-külg) või ▷ / ▷ (B-külg).

HR2650/HR2651/HR2651T

Sellel tööriistal on suunamuutmise lüliti, millega saab muuta pöörlemise suunda. Viige suunamuutmise lüliti hoob päripäeva pöörlemiseks asendisse ◁ (A-külg) või vastupäeva pöörlemiseks asendisse ▷ (B-külg).

► **Joon.3:** 1. Suunamuutmise lüliti hoob

HR2661

Sellel tööriistal on suunamuutmise lüliti, millega saab muuta pöörlemise suunda. Viige suunamuutmise lüliti hoob päripäeva pöörlemiseks asendisse ▷ (A-külg) või vastupäeva pöörlemiseks asendisse ▷ (B-külg).

► **Joon.4:** 1. Suunamuutmise lüliti hoob

MÄRKUS: Tööriista vastupäeva pöörlemiseks kasutamiseks tuleb lüliti päästik ainult poolenisti alla vajutada ning tööriist töötab poolel kiirusel. Vastupäeva pöörleval tööriistal ei saa lukustusnuppu sisse vajutada.



SDS-plusi kiirvahetuspadruni vahetamine

HR2651T

SDS-plusi kiirvahetuspadruni saab lihtsasti vahetada kiirvahetatava puuripadruni vastu.




SDS-plusi kiirvahetuspadruni eemaldamine

⚠ETTEVAATUST: Enne SDS-plusi kiirvahetuspadruni eemaldamist eemaldage kindlasti alati puuriotsak.

Võtke SDS-plusi kiirvahetuspadruni vahetuskattest kinni ja keerake seda noole suunas, kuni vahetuskattel olev joon liigub sümbolilt  sümbolile . Tõmmake jõuga noole suunas.

► **Joon.5:** 1. SDS-plusi kiirvahetuspadrun 2. Vahetuskate 3. Vahetuskatte joon

Kiirvahetatava puuripadruni paigaldamine

Kontrollige, et kiirvahetatava puuripadruni joon osutaks sümbolile . Veenduge, et kiirvahetataval puuripadrunile olev joon näitaks sümbolile . Pange kiirvahetatav puuripadrun tööriista võllile. Võtke kinni kiirvahetatava puuripadruni vahetuskattest ja keerake vahetuskatte joon sümbolile , kuni kõlab selgesti kuuldav klõpsatus.


► **Joon.6:** 1. Kiirvahetatav puuripadrun 2. Võll 3. Vahetuskatte joon 4. Vahetuskate

Töörežiimi valimine

TÄHELEPANU: Ärge pöörake töörežiimi muutmise nuppu siis, kui tööriist töötab. Selle juhise eiramisel kaaseks tööriista kahjustumine.


TÄHELEPANU: Režiimimuutmise mehhanismi kiire kulumise vältimiseks veenduge, et töörežiimi muutmise nupp oleks alati nõuetekohaselt ühes kolmest töörežiimi asendist.

Pöörlemine koos haamrifunktsiooniga

Betooni, müritise või muu materjali puurimiseks keerake töörežiimi muutmise nupp sümboliga  tähistatud asendisse. Kasutage volframkarbiidkattega otsakut (valikuline lisatarvik).


► **Joon.7:** 1. Pöörlemine koos lõõkpuurimise funktsiooniga 2. Töörežiimi muutmise nupp

Ainult pöörlemisfunktsioon

Puidu, metalli või plastmaterjalide puurimiseks keerake töörežiimi muutmise nupp sümboliga  tähistatud asendisse. Kasutage keerdpuuri või puidupuuri otsakut.

► **Joon.8:** 1. Ainult pöörlemisfunktsioon

Ainult haamrifunktsioon

Täksimiseks, pealiskihi eemaldamiseks või lammutustöödeks keerake töörežiimi muutmise nupp sümboliga  tähistatud asendisse. Kasutage piiktera, külmeisliit, pealiskihi meisliit vms.

► **Joon.9:** 1. Ainult löökpuurimise funktsioon

Otsaku asendi reguleerimine

Lükake juhikut sisse, vajutades samal ajal juhiku reguleerimisnuppu, seejärel laske nupp õiges kohas lahti.

► **Joon.10:** 1. Juhik 2. Juhiku reguleerimisnupp

MÄRKUS: Enne otsaku asendi reguleerimist vabastage otsak täielikult edasisuunas, vajutades juhiku reguleerimisnuppu.

Puurimissügavuse reguleerimine

Vajutage sügavuse reguleerimisnupp alla ja lükake see soovitud asendisse. Kaugus (A) on puurimissügavus.

► **Joon.11:** 1. Sügavuse reguleerimisnupp

Kaitsesidur

TÄHELEPANU: Kui kaitsesidur rakendub, lülitage tööriist kohe välja. See aitab vältida tööriista enneaegset kulumist.

TÄHELEPANU: Puuriotsakud (näiteks rõngaspuur), mis võivad pitsuda või avas hõlpsasti kinni jääda, ei ole selle tööriista jaoks sobivad. Sellised otsakud põhjustavad kaitsesiduri liiga sagedast rakendumist.

Kaitsesidur rakendub teatava pöördemomendi taseme saavutamisel. Mootor lahutatakse väljundvõllist. Sellisel juhul puuriotsaku pöörlemine seiskub.

Konks

⚠ETTEVAATUST: Ärge kunagi riputage tööriista kõrgesse kohta ega ebakindlale pinnale.

HR2661

► **Joon.12:** 1. Konks

Konksu abil saate mugavalt tööriista ajutiselt üles riputada.

Konksu kasutamiseks lükake seda üles, kuni see klõpsatab avatud asendisse. Kui konks pole kasutusel, lükake see alati alla, et see klõpsataks kinnisesse asendisse.

KOKKUPANEK

⚠ETTEVAATUST: Enne tööriistal mingite tööde tegemist kandke alati hoolt selle eest, et see oleks välja lülitatud ja vooluvõrgust lahti ühendatud.

Külgkäepide (abipide)

⚠ETTEVAATUST: Tööohutuse tagamiseks kasutage alati külgkäepidet.

⚠ETTEVAATUST: Kontrollige alati pärast külgkäepideme paigaldamist või reguleerimist, kas külgkäepide on korralikult fikseeritud.

Paigaldage külgkäepide selliselt, et selle käepideme-poolsed sooned sobituksid tööriista trumli väljalatuvate osadega. Pöörake käepidet kinnitamiseks päripäeva. Käepideme saab fikseerida soovitud nurga alla.

► **Joon.13:** 1. Külgkäepide

Määrimine

Katke puuri varrepoolne osa vähese määrideõli kogusega (ligikaudu 0,5–1 g).

Padruni määrimine aitab tagada sujuvat talitlust ja pikendab kasutusiga.

Puuri paigaldamine või eemaldamine

Puhastage puuri varrepoolne osa ja kandke enne puuri paigaldamist sellele määrideõli.

► **Joon.14:** 1. Varrepoolne ots 2. Määrimine

Sisestage puur tööriista. Keerake puuri ja suruge seda sisse, kuni see fikseerub.

Pärast puuri paigaldamist püüdke seda alati välja tõmmata, et kontrollida, kas puur on korralikult oma kohale fikseeritud.

► **Joon.15:** 1. Puur


Puuri eemaldamiseks tõmmake padruni kate lõpuni alla ja tõmmake puur välja.

► **Joon.16:** 1. Puur 2. Padruni kate

Meisli kaldenurk (täksimisel, pealiskihi eemaldamisel või lammutustöödel)

Meisli saab fikseerida soovitud nurga alla. Keerake meisli kaldenurga muutmiseks töörežiimi muutmise nupp sümboliga O tähistatud asendisse. Keerake meisli soovitud nurga alla.

► **Joon.17:** 1. Töörežiimi muutmise nupp

Keerake töörežiimi muutmise nupp sümboliga  tähistatud asendisse. Seejärel kontrollige, kas meisel on korralikult oma kohale fikseeritud, keerates seda veidi.

Sügavuse piiraja

Sügavuse piiraja on mugav abivahend ühesuguse sügavusega aukude puurimiseks. Lõdvendage külglkäepidet ja paigaldage sügavuse piiraja külglkäepidemes olevasse avasse. Reguleerige sügavuse piiraja soovitud sügavusele ja kinnitage külglkäepide tugevalt.

► **Joon.18:** 1. Ava 2. Sügavuse piiraja

MÄRKUS: Veenduge, et sügavuse piiraja ei puudutaks tööriista kinnitamise ajal selle põhiosa.

Tolmukogumissüsteemi paigaldamine või eemaldamine

Tolmukogumissüsteemi eemaldamiseks vajutage alla lukust avamise nupp ja tõmmake samal ajal tööriista. Selle paigaldamiseks sisestage tööriist tervenisti tolmu kogumissüsteemi, kuni see klõpsatusega paika kinnitub.

► **Joon.19:** 1. Lukust avamise nupp

Tolmutops

Lisatarvik


Ülespoole suunatud puurimisel kasutage tolmutopsi, et vältida tolmu langemist tööriistale ja kasutajale. Kinnitage tolmutopsi joonisel näidatud viisil otsaku külge. Tolmutopsi saab kinnitada järgmise suurusega otsakutele.

Mudel	Puuri läbimõõt
Tolmutops 5	6 mm - 14,5 mm
Tolmutops 9	12 mm - 16 mm

► **Joon.20:** 1. Tolmutops

Tolmutopsi komplekt

Lisatarvik

Enne tolmutopsi komplekti paigaldamist eemaldage tööriista küljest otsak. Paigaldage tolmutopsi komplekt tööriista külge nii, et tolmutopsil olev sümbol  oleks joondatud tööriistal oleva soonega.

► **Joon.21:** 1. Sümbol  2. Soon

MÄRKUS: Kui ühendate tolmuimeja tolmutopsi komplektiga, eemaldage enne selle ühendamist tolmutopsi korg.

► **Joon.22:** 1. Tolmutopsi korg

Tolmutopsi komplekti eemaldamiseks eemaldage puuriotsak, tõmmates samal ajal padrunikatet noole suunas.

► **Joon.23:** 1. Otsak 2. Padruni kate

Hoidke tolmutopsi põhjast ja tõmmake see välja.

► **Joon.24**

MÄRKUS: Kui korg tuleb tolmutopsi küljest lahti, kinnitage see, trükitud pool ülespoole suunatud, nii et korgil olev soon sobituks lisaseadme keskosa sisse.

► **Joon.25**

TÖÖRIISTA KASUTAMINE

⚠ETTEVAATUST: Kasutage alati külglkäepidet (abikäepide) ning hoidke tööriista töö ajal kindlalt nii külglkäepidemest kui ka lülitiga käepidemest.

⚠ETTEVAATUST: Kontrollige alati enne kasutamist, kas töödeldav detail on nõuetekohaselt fikseeritud.

⚠ETTEVAATUST: Tolmukogumissüsteem on mõeldud ainult betooni puurimiseks. Ärge kasutage tolmu kogumissüsteemi metalli või puitu puurides.

⚠ETTEVAATUST: Tööriista kasutamisel koos tolmu kogumissüsteemiga kinnitage tolmu kogumissüsteemi külge kindlasti filter, et vältida tolmu sissehingamist.

⚠ETTEVAATUST: Enne tolmu kogumissüsteemi kasutamist kontrollige, et filter ei oleks kahjustatud. Kui te seda ei tee, võite tolmu sisse hingata.

⚠ETTEVAATUST: Tolmu kogumissüsteem kogub tekkivat tolmu kiiresti, kuid ei suuda siiski kõrvaldada kogu tolmu.


TÄHELEPANU: Ärge kasutage tolmu kogumissüsteemi südamikupuurimiseks ega meiseldamiseks.

TÄHELEPANU: Ärge kasutage tolmu kogumissüsteemi märja betooni puurimisel ega märjas keskkonnas. Vastasel juhul võib süsteem saada kahjustada.

► **Joon.26**

Löökpuurimise režiim

⚠ETTEVAATUST: Materjali läbitamisel rakendub tööriistale/puuriotsakule väga suur ja järsk väandajõud, kui auk ummistub laastude ja osakestega või kui tabatakse betooni sarrust. **Kasutage alati külglkäepidet (abikäepide) ning hoidke tööriista töö ajal kindlalt nii külglkäepidemest kui ka lülitiga käepidemest.** Muidu võib tagajärjeks olla kontrolli kaotamine tööriista üle ja raske kehavigastus.


Keerake töörežiimi muutmise nupp sümboliga  tähisatud asendisse.

Pange puuriotsak augu puurimiseks soovitud asukohta ja tõmmake seejärel lüliti päästik. Ärge rakendage tööriista kasutamisel jõudu. Parimad tulemused annab kerge surve rakendamine. Hoidke tööriista õiges asendis ja vältige selle august väljalibisemist.

Ärge rakendage lisasurvet, kui laastud või osakesed ummistavad augu. Käitage selle asemel tööriista tühikäigul ja eemaldage seejärel puuriotsak osaliselt august. Selle toimingu kordamine aitab auku tühendada, et saaksite jätkata tavapärase puurimisega.

MÄRKUS: Tööriista koormuseta kasutamisel võib puuriotsak pöörelda ekstsentriliselt. Tööriist tsentree- rub käitamisel automaatselt. See ei mõjuta puurimise täpsust.

Täksimine / pealiskihi eemaldamine / lammutustööd

Seadke töörežiimi muutmise nupp sümboliga  tähis-
tatud asendisse.

Hoidke tööriistast kindlalt mõlema käega kinni. Lülitage tööriist sisse ja rakendage tööriistale kergest survet, et tööriist ei liiguks kontrollimatult.

Tööriistale tugeva surve avaldamine ei suurenda efektiivsust.

► Joon.27

Puidu või metalli puurimine

⚠ETTEVAATUST: Hoidke tööriista kindlalt ning olge tähelepanelik, kui puuriotsak hakkab puuritava materjalist läbi tungima. Materjali läbistamisel rakendub tööriistale/puuriotsakule väga suur jõud.

⚠ETTEVAATUST: Kinnikiilunud puuriotsaku saab lihtsalt vabastada, kui muudate puuri pöörlemissuuna vastupidiseks. Kui tööriista ei hoita kindlalt, võib see ootamatult tagasi viskuda.

⚠ETTEVAATUST: Kinnitage töödeldavad esemed alati kruustangide või mõne sarnase kinnituvahendiga.

TÄHELEPANU: Ärge kunagi kasutage pöörlemisfunktsiooni koos haamrifunktsiooniga, kui tööriistale on paigaldatud puuripadrun. Selle juhise eiramisel kaasneb puuripadruni kahjustumine. Samuti tuleks tööriista pöörlemisel puuripadrun tööriista küljest lahti.

TÄHELEPANU: Liiga suur surve seadmele ei kiirenda puurimist. Liigne surve hoopis kahjustab puuriotsaku tippu, vähendab seadme efektiivsust ja lühendab seadme tööiga.

Seadke töörežiimi muutmise nupp sümbolile .

HR2650/HR2651/HR2661

Lisatarvik

Kinnitage padruniadapter võtmeta puuripadruni külge, millele saab paigaldada kruvi suurusega 1/2"-20, seejärel paigaldage need tööriistale. Paigaldamise kohta vadake teavet jaotises „Puuri paigaldamine või eemaldamine”.

► Joon.28: 1. Võtmeta puuripadrun 2. Padruniadapter

HR2651T

Kasutage kiirvahetatavat puuripadrunit standardvarustusena. Selle paigaldamisel juhinduge jaotises „SDS-plusi kiirvahetuspadruni vahetamine”.


Hoidke rõngast kinni ja keerake hülssi padruni pakkide avamiseks vastupäeva. Paigaldage puuriotsak võimalikult sügavale padrunisse. Hoidke rõngast kindlalt kinni ja pingutamiseks keerake hülssi päripäeva.

► Joon.29: 1. Hülss 2. Rõngas

Puuriotsaku eemaldamiseks hoidke rõngast kinni ja keerake hülssi vastupäeva.

Teemant-südamikupuuri kasutamine

TÄHELEPANU: Kui kasutate teemant-südamikupuuri pöörlemisfunktsiooni koos haamrifunktsiooniga, võib teemant-südamikupuuri otsak kahjustuda.

Teemant-südamikupuuriga töötamisel seadke ainult pöörlemisfunktsiooni kasutamiseks muutmishoob alati asendisse .

Tolmu eemaldamine

⚠ETTEVAATUST: Enne tööriistal mingite tööde tegemist kandke alati hoolt selle eest, et see oleks välja lülitatud ja vooluvõrgust lahti ühendatud.

⚠ETTEVAATUST: Tolmu eemaldamise ajal kandke kindlasti tolumaski.

⚠ETTEVAATUST: Tühjendage tolmu karpi regulaarselt, enne kui tolmu karp saab täis. Kui te seda ei tee, võib süsteemi tolmu kogumisvõime halveneda, mis omakorda toob kaasa tolmu sissehingamise.

⚠ETTEVAATUST: Tolmu kogumisvõime väheneb, kui tolmu karbis olev filter ummistub. Filtrit tuleb vahetada ligikaudu iga 200 tolmu täitumise järel. Kui te seda ei tee, võite tolmu sisse hingata.

1. Eemaldage tolmu karp, vajutades samal ajal alla tolmu karbi hooba.

► Joon.30: 1. Hoob

2. Avage tolmu karbi kate.

► Joon.31: 1. Kate

3. Kõrvaldage tolm ja puhastage filter.

► Joon.32

TÄHELEPANU: Filtri puhastamisel ärge puudutage seda harja ega muu sarnasega ega puhuge sellesse suruõhku. See võib filtrit kahjustada.

Läbipõlenud pirn

Lisatarvik

Kui auk on valmis puuritud, kasutage läbipõlenud piri, et auku tolmut puhastada.

► Joon.33

Tolmutopsi komplekti kasutamine

Lisatarvik

Seadke tolmutopsi komplekt tööriista kasutamise ajaks vastu lage.

► Joon.34

TÄHELEPANU: Ärge kasutage tolmutopsi komplekti metalli või muu sarnase materjali puurimisel. See võib peene metalltolmu või muu sarnase poolt tekitatud kuumuse mõjul tolmutopsi komplekti kahjustada.

TÄHELEPANU: Ärge paigaldage ega eemaldage tolmutopsi komplekti sel ajal, kui puur on tööriista küljes. See võib kahjustada tolmutopsi komplekti ja põhjustada tolmu lekkimist.

HOOLDUS

⚠ETTEVAATUST: Enne kontroll- või hooldustoimingute tegemist kandke alati hoolt selle eest, et tööriist oleks välja lülitatud ja vooluvõrgust lahti ühendatud.

TÄHELEPANU: Ärge kunagi kasutage bensiini, vedeldit, alkoholi ega midagi muud sarnast. Selle tulemuseks võib olla luitumine, deformatsioon või pragunemine.

Toote OHUTUSE ja TÖÖKINDLUSE tagamiseks tuleb vajalikud remonttööd ning muud hooldus- ja reguleerimistööd lasta teha Makita volitatud teeninduskeskustes või tehase teeninduskeskustes. Alati tuleb kasutada Makita varuosi.

Tolmukarbi filtri vahetamine

1. Eemaldage tolmu­karp, vajutades samal ajal alla tolmu­karbi hooba.
► **Joon.35:** 1. Hoob
2. Sisestage lame­peakruvikeeraja filtri­katte pilu­desse, et eemaldada filtri­karp ja filter.
► **Joon.36:** 1. Lame­peakruvikeeraja 2. Filtri­karp
3. Eemaldage filter filtri­kari­st.
► **Joon.37:** 1. Filter 2. Filtri­karp
4. Kinnitage filtri­karbi külge uus filter ja kinnitage need seejärel tolmu­karbi külge, joon­dades filtri­karbi eendu­va osa tolmu­karbil oleva soonega.
► **Joon.38:** 1. Eendu­va osa 2. Soon
5. Sulgege tolmu­karbi kate ja kinnitage see seejärel tööriista külge.

Tihenduskorgi vahetamine

Kui tihenduskork on kulunud, väheneb tolmu­kogumis­võime. Vahetage see välja, kui see on kulunud. Eemaldage tihenduskork ja kinnitage uus tihenduskork ülespoole suunatud eendu­va osaga.
► **Joon.39:** 1. Eendu­va osa 2. Tihenduskork

VALIKULISED TARVIKUD

⚠ETTEVAATUST: Neid tarvikuid ja lisaseadiseid on soovitatav kasutada koos Makita tööriis­taga, mille kasutamist selles kasutusjuhendis kirjeldatakse. Muude tarvikute ja lisaseadiste kasutamise­ga kaasneb vigastada saamise oht. Kasutage tarvikuid ja lisaseadiseid ainult otstarbekohaselt.

Saate vajaduse korral kohalikust Makita teeninduskeskusest lisateavet nende tarvikute kohta.

- Karbiidist otsaga puuriotsakud (SDS-plusi karbiidist otsaga puuriotsakud)
- Südamikupuur
- Piiktera
- Teemant-südamikupuur
- Külmeisel
- Pealiskihi meisel
- Soonepeitel
- Padruniadapter
- Võtmeta puuripadrun
- Puurimääre
- Sügavuse piiraja
- Läbipõlenud pirn
- Tolmutops
- Tolmutopsi komplekt
- Kaitseprillid
- Plastkohver

MÄRKUS: Mõned nimekirjas loetletud tarvikud võivad kuuluda standardvarustusse ning need on lisatud tööriista pakendisse. Need võivad riigiti erineda.

ТЕХНИЧЕСКИЕ ХАРАКТЕРИСТИКИ

Модель:		HR2650	HR2651	HR2651T	HR2661
Диаметр	Бетон	26 мм			
	Колонковое долото	68 мм			
	Колонковое алмазное долото (сухого типа)	80 мм			
	Сталь	13 мм			
	Дерево	32 мм			
Число оборотов без нагрузки		0 - 1 200 мин ⁻¹			0 - 1 100 мин ⁻¹
Ударов в минуту		0 - 4 600 мин ⁻¹			0 - 4 500 мин ⁻¹
Общая длина		604 мм		630 мм	666 мм
Масса нетто		3,0 - 4,1 кг	3,1 - 4,2 кг	3,2 - 4,4 кг	3,3 - 4,4 кг
Класс безопасности		□/II			

- Благодаря нашей постоянно действующей программе исследований и разработок указанные здесь технические характеристики могут быть изменены без предварительного уведомления.
- Технические характеристики могут различаться в зависимости от страны.
- Масса может отличаться в зависимости от дополнительного оборудования. В таблице представлены комбинации с наибольшей и наименьшей массой в соответствии с процедурой ЕРТА 01/2014.

Назначение

Инструмент предназначен для ударного и обычного сверления кирпича, бетона и камня. Он также подходит для безударного сверления дерева, металла, керамики и пластмассы.

Источник питания

Данный инструмент должен подключаться к источнику питания с напряжением, соответствующим напряжению, указанному на идентификационной пластине, и может работать только от однофазного источника переменного тока. Он имеет двойную изоляцию и поэтому может подключаться к розеткам без заземления.

Шум

Типичный уровень взвешенного звукового давления (A), измеренный в соответствии с EN60745:

Модель HR2650

Уровень звукового давления (L_{pA}): 91 дБ (A)
 Уровень звуковой мощности (L_{WA}): 102 дБ (A)
 Погрешность (K): 3 дБ (A)

Модель HR2651

Уровень звукового давления (L_{pA}): 92 дБ (A)
 Уровень звуковой мощности (L_{WA}): 103 дБ (A)
 Погрешность (K): 3 дБ (A)

Модель HR2651T

Уровень звукового давления (L_{pA}): 92 дБ (A)
 Уровень звуковой мощности (L_{WA}): 103 дБ (A)
 Погрешность (K): 3 дБ (A)

Модель HR2661

Уровень звукового давления (L_{pA}): 90 дБ (A)
 Уровень звуковой мощности (L_{WA}): 101 дБ (A)
 Погрешность (K): 3 дБ (A)

▲ОСТОРОЖНО: Используйте средства защиты слуха.

Вибрация

Суммарное значение вибрации (сумма векторов по трем осям), определенное в соответствии с EN60745:

Модель HR2650

Рабочий режим: ударное сверление бетона
 Распространение вибрации ($a_{n, HD}$): 12,5 м/с²
 Погрешность (K): 1,5 м/с²
 Рабочий режим: обработка зубилом с использованием боковой рукоятки
 Распространение вибрации ($a_{n, Cheq}$): 9,5 м/с²
 Погрешность (K): 1,5 м/с²
 Рабочий режим: сверление металла
 Распространение вибрации ($a_{n, HD}$): 2,5 м/с²
 Погрешность (K): 1,5 м/с²

Модель HR2651

Рабочий режим: ударное сверление бетона
 Распространение вибрации ($a_{n, HD}$): 11,5 м/с²
 Погрешность (K): 1,5 м/с²
 Рабочий режим: обработка зубилом с использованием боковой ручки
 Распространение вибрации ($a_{n, Cheq}$): 9,0 м/с²
 Погрешность (K): 1,5 м/с²
 Рабочий режим: сверление металла
 Распространение вибрации ($a_{n, HD}$): 2,5 м/с²
 Погрешность (K): 1,5 м/с²

Модель HR2651T

Рабочий режим: ударное сверление бетона
 Распространение вибрации ($a_{n, HD}$): 11,5 м/с²
 Погрешность (K): 1,5 м/с²
 Рабочий режим: обработка зубилом с использованием боковой рукоятки
 Распространение вибрации ($a_{n, Cheq}$): 9,0 м/с²
 Погрешность (K): 1,5 м/с²

Рабочий режим: сверление металла
Распространение вибрации ($a_{h,D}$): $2,5 \text{ м/с}^2$
Погрешность (K): $1,5 \text{ м/с}^2$

Модель HR2661

Рабочий режим: ударное сверление бетона
Распространение вибрации ($a_{h,HD}$): $9,5 \text{ м/с}^2$
Погрешность (K): $1,5 \text{ м/с}^2$
Рабочий режим: обработка зубилом с использованием боковой ручки
Распространение вибрации ($a_{h,Снег}$): $6,0 \text{ м/с}^2$
Погрешность (K): $1,5 \text{ м/с}^2$
Рабочий режим: сверление металла
Распространение вибрации ($a_{h,D}$): $2,5 \text{ м/с}^2$ или менее
Погрешность (K): $1,5 \text{ м/с}^2$

ПРИМЕЧАНИЕ: Заявленное значение распространения вибрации измерено в соответствии со стандартной методикой испытаний и может быть использовано для сравнения инструментов.

ПРИМЕЧАНИЕ: Заявленное значение распространения вибрации можно также использовать для предварительных оценок воздействия.

⚠ ОСТОРОЖНО: Распространение вибрации во время фактического использования электроинструмента может отличаться от заявленного значения в зависимости от способа применения инструмента.

⚠ ОСТОРОЖНО: Обязательно определите меры безопасности для защиты оператора, основанные на оценке воздействия в реальных условиях использования (с учетом всех этапов рабочего цикла, таких как выключение инструмента, работа без нагрузки и включение).

Декларация о соответствии ЕС

Только для европейских стран

Декларация о соответствии ЕС включена в руководство по эксплуатации (Приложение А).

МЕРЫ БЕЗОПАСНОСТИ

Общие рекомендации по технике безопасности для электроинструментов

⚠ ОСТОРОЖНО: Ознакомьтесь со всеми представленными инструкциями по технике безопасности, указаниями, иллюстрациями и техническими характеристиками, прилагаемыми к данному электроинструменту. Несоблюдение каких-либо инструкций, указанных ниже, может привести к поражению электрическим током, пожару и/или серьезной травме.

Сохраните брошюру с инструкциями и рекомендациями для дальнейшего использования.

Термин "электроинструмент" в предупреждениях относится ко всему инструменту, работающему от сети (с проводом) или на аккумуляторах (без провода).

ПРАВИЛА ТЕХНИКИ БЕЗОПАСНОСТИ ПРИ ОБРАЩЕНИИ С ПЕРФОРАТОРОМ

1. Обязательно используйте средства защиты слуха. Воздействие шума может привести к потере слуха.
2. Используйте дополнительную ручку (если входит в комплект инструмента). Утрата контроля над инструментом может привести к травме.
3. Если при выполнении работ существует риск контакта режущего инструмента со скрытой электропроводкой или собственным шнуром питания, держите электроинструмент за специально предназначенные изолированные поверхности. Контакт с проводом под напряжением может стать причиной поражения оператора током.
4. Надевайте защитную каску (защитный шлем), защитные очки и/или защитную маску для лица. Обычные или солнцезащитные очки НЕ ЯВЛЯЮТСЯ защитными очками. Также настоятельно рекомендуется надевать противодылевой респиратор и перчатки с толстыми подкладками.
5. Перед выполнением работ убедитесь в надежном креплении головки сверла.
6. При нормальной эксплуатации инструмент может вибрировать. Винты могут раскрутиться, что приведет к поломке или несчастному случаю. Перед эксплуатацией тщательно проверяйте затяжку винтов.
7. В холодную погоду, или если инструмент не использовался в течение длительного периода времени, дайте инструменту немного прогреться, включив его без нагрузки. Это размягчит смазку. Без надлежащего прогрева ударное действие будет затруднено.
8. При выполнении работ всегда занимайте устойчивое положение. При использовании инструмента на высоте убедитесь в отсутствии людей внизу.
9. Крепко держите инструмент обеими руками.
10. Руки должны находиться на расстоянии от движущихся деталей.
11. Не оставляйте работающий инструмент без присмотра. Включайте инструмент только тогда, когда он находится в руках.
12. При выполнении работ не направляйте инструмент на кого-либо, находящегося в месте выполнения работ. Головка сверла может выскочить и травмировать других людей.
13. Сразу после окончания работ не прикасайтесь к обрабатываемой детали, головке сверла или к деталям в непосредственной близости от нее. Головка сверла может быть очень горячей и обжечь кожу.
14. Некоторые материалы могут содержать токсичные химические вещества. Примите соответствующие меры предосторожности, чтобы избежать вдыхания или контакта с кожей таких веществ. Соблюдайте требования, указанные в паспорте безопасности материала.
15. Не прикасайтесь к разъему электропитания мокрыми руками.

СОХРАНИТЕ ДАННЫЕ ИНСТРУКЦИИ.

⚠ОСТОРОЖНО: НЕ ДОПУСКАЙТЕ, чтобы удобство или опыт эксплуатации данного устройства (полученный от многократного использования) доминировали над строгим соблюдением правил техники безопасности при обращении с этим устройством. **НЕПРАВИЛЬНОЕ ИСПОЛЬЗОВАНИЕ** инструмента или несоблюдение правил техники безопасности, указанных в данном руководстве, может привести к тяжелой травме.

ОПИСАНИЕ РАБОТЫ

⚠ВНИМАНИЕ: Перед регулировкой или проверкой функций инструмента обязательно убедитесь, что он выключен и его вилка вынута из розетки.

Действие выключателя

⚠ВНИМАНИЕ: Перед включением инструмента в розетку обязательно убедитесь, что триггерный переключатель работает надлежащим образом и возвращается в положение "ВЫКЛ", если его отпустить.

⚠ВНИМАНИЕ: В случае продолжительной работы для удобства оператора переключатель можно зафиксировать в положении "ВКЛ.". Соблюдайте осторожность при фиксации инструмента в положении "ВКЛ." и крепко удерживайте инструмент.

► **Рис.1:** 1. Триггерный переключатель 2. Кнопка разблокировки

► **Рис.2:** 1. Триггерный переключатель 2. Кнопка блокировки

Для запуска инструмента просто нажмите на триггерный переключатель. Для увеличения числа оборотов нажмите триггерный переключатель сильнее. Отпустите триггерный переключатель для остановки.

Для непрерывной работы инструмента нажмите на триггерный переключатель, нажмите кнопку блокировки и затем отпустите триггерный переключатель. Для остановки инструмента из заблокированного положения полностью нажмите триггерный переключатель, затем отпустите его.

Действие реверсивного переключателя

⚠ВНИМАНИЕ: Перед работой всегда проверьте направление вращения.

ПРИМЕЧАНИЕ: Используйте реверсивный переключатель только после полной остановки инструмента. Изменение направления вращения до полной остановки инструмента может привести к его повреждению.

ПРИМЕЧАНИЕ: Если триггерный переключатель нельзя нажать, убедитесь, что реверсивный переключатель полностью переведен в положение ◁ / ▷ (сторона А) или ▷ / ▷ (сторона В).

Для HR2650/HR2651/HR2651T

Этот инструмент оборудован реверсивным переключателем для изменения направления вращения. Переместите рычаг реверсивного переключателя в положение ◁ (сторона А) для вращения по часовой стрелке или в положение ▷ (сторона В) для вращения против часовой стрелки.

► **Рис.3:** 1. Рычаг реверсивного переключателя

Для HR2661

Этот инструмент оборудован реверсивным переключателем для изменения направления вращения. Переведите рычаг реверсивного переключателя в положение ◁ (сторона А) для вращения по часовой стрелке или в положение ▷ (сторона В) для вращения против часовой стрелки.

► **Рис.4:** 1. Рычаг реверсивного переключателя

ПРИМЕЧАНИЕ: При эксплуатации инструмента с вращением против часовой стрелки триггерный переключатель нажимается только наполовину, и инструмент вращается на средней скорости. При вращении против часовой стрелки вы не можете нажать кнопку блокировки.



Смена быстро сменяемого патрона для SDS-plus

Для HR2651T

Быстро сменяемый патрон для SDS-plus можно быстро заменить на быстро сменяемый сверлильный патрон.


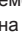
Снятие быстро сменяемого патрона для SDS-plus

⚠ВНИМАНИЕ: Перед снятием быстро сменяемого патрона для SDS-plus обязательно извлеките сверло.

Возьмитесь за сменную крышку быстро сменяемого патрона для SDS-plus и поворачивайте ее в направлении стрелки, пока линия сменной крышки не переместится с символа  на символ . Сильно потяните в направлении стрелки.

► **Рис.5:** 1. Быстро сменяемый патрон для SDS-plus 2. Сменная крышка 3. Линия сменной крышки

Установка быстро сменяемого сверлильного патрона

Убедитесь, что линия быстро сменяемого сверлильного патрона указывает на символ . Возьмитесь за сменную крышку быстро сменяемого сверлильного патрона и установите линию на символ . Установите быстро сменяемый сверлильный патрон на шпиндель инструмента. Возьмитесь за сменную крышку быстро сменяемого сверлильного патрона и поворачивайте линию сменной крышки к символу , пока не услышите четкий щелчок.


► **Рис.6:** 1. Быстро сменяемый сверлильный патрон 2. Шпиндель 3. Линия сменной крышки 4. Сменная крышка

Выбор режима действия

ПРИМЕЧАНИЕ: Не поворачивайте ручку изменения режима работы во время работы инструмента. Это приведет к поломке инструмента.

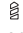
ПРИМЕЧАНИЕ: Во избежание быстрого износа механизма изменения режима следите за тем, чтобы ручка изменения режима работы всегда точно находилась в одном из трех положений режима действия.

Вращение с ударным действием

Для сверления бетона, кирпичной кладки и т.п. поверните ручку изменения режимов работы в положение . Используйте головку сверла с наконечником из карбида вольфрама (дополнительная принадлежность).


- **Рис.7:** 1. Вращение с ударным действием
2. Ручка изменения режима работы

Только вращение

Для сверления дерева, металла или пластмасс поверните ручку изменения режимов работы в положение . Используйте спиральное сверло или сверло по дереву.

- **Рис.8:** 1. Только вращение

Только ударное действие

Для расщепления, скобления или разрушения конструкций поверните ручку переключения режимов работы в положение . Используйте пирамидальное долото, слесарное зубило, резец и т.п.

- **Рис.9:** 1. Только ударное действие

Регулировка положения сопла

Давите на направляющую, нажимая на кнопку регулировки направляющей, затем отпустите кнопку в нужном положении.

- **Рис.10:** 1. Направляющая 2. Кнопка регулировки направляющей

ПРИМЕЧАНИЕ: Перед регулировкой положения сопла полностью переместите сопло вперед, нажав кнопку регулировки направляющей.

Регулировка глубины сверления

Сдвиньте кнопку регулировки глубины в нужное положение при ее нажатии. Расстояние (А) обозначает глубину сверления.

- **Рис.11:** 1. Кнопка регулировки глубины

Ограничитель крутящего момента

ПРИМЕЧАНИЕ: При срабатывании ограничителя крутящего момента немедленно выключите инструмент. Это поможет предотвратить преждевременный износ инструмента.

ПРИМЕЧАНИЕ: Такие головки сверла, как кольцевая пила, которые могут быть легко защемлены в отверстии, не подходят для данного инструмента. Такие насадки вызывают частое срабатывание ограничителя крутящего момента.

Ограничитель крутящего момента срабатывает при достижении определенного уровня крутящего момента. Электродвигатель отсоединится от выходного вала. Когда это произойдет, головка сверла перестанет вращаться.

Крючок

ВНИМАНИЕ: Никогда не вешайте инструмент на высоте или на потенциально неустойчивой поверхности.

Для HR2661

- **Рис.12:** 1. Крючок

Крючок удобен для временного подвешивания инструмента.

Для использования крючка просто поднимите его так, чтобы он защелкнулся в открытом положении. Если крючок не используется, опустите его так, чтобы он защелкнулся в закрытом положении.

СБОРКА

ВНИМАНИЕ: Перед проведением каких-либо работ с инструментом обязательно проверяйте, что инструмент выключен, а шнур питания вынут из розетки.

Боковая ручка (вспомогательная рукоятка)

ВНИМАНИЕ: Для обеспечения безопасности во время работ всегда используйте боковую ручку.

ВНИМАНИЕ: После установки или регулировки боковой ручки убедитесь в надежности ее крепления.

Установите боковую ручку так, чтобы выступы на ее основании вошли в пазы на цилиндрической части инструмента. Поверните ручку по часовой стрелке для фиксации. Ручку можно закрепить под нужным углом.

- **Рис.13:** 1. Боковая ручка

Смазка

Смажьте хвостовик головки сверла заранее небольшим количеством смазки для головки сверла (примерно 0,5 - 1 г).

Такая смазка патрона обеспечивает равномерную работу и увеличивает срок службы.

Установка или снятие головки сверла

Перед установкой головки сверла очистите хвостовик и смажьте его.

► **Рис.14:** 1. Хвостовик 2. Смазка

Вставьте головку сверла в инструмент. Поверните головку сверла и нажмите, чтобы зафиксировать. После установки убедитесь в надежной фиксации головки сверла, для чего потяните за нее.

► **Рис.15:** 1. Головка сверла

Чтобы снять головку сверла, нажмите вниз на крышку патрона и вытащите головку сверла.

► **Рис.16:** 1. Головка сверла 2. Крышка патрона

Угол зубила (при расщеплении, скоблении или разрушении)

Зубило можно закрепить под нужным углом. Для изменения угла зубила поверните ручку переключения режимов работы в положение O. Поверните зубило на необходимый угол.

► **Рис.17:** 1. Ручка изменения режима работы

Установите ручку переключения режимов в положение T. Затем, слегка повернув зубило, убедитесь, что оно надежно закреплено.

Глубиномер

Глубиномер удобен для сверления отверстий одинаковой глубины. Ослабьте боковую ручку и вставьте глубиномер в отверстие боковой ручки. Отрегулируйте глубиномер на желаемую глубину и крепко затяните боковую ручку.

► **Рис.18:** 1. Отверстие 2. Глубиномер

ПРИМЕЧАНИЕ: Во время присоединения убедитесь, что глубиномер не касается корпуса инструмента.

Установка или снятие системы пылеудаления

Для снятия системы пылеудаления потяните инструмент, нажимая при этом на кнопку разблокировки. Для установки системы вставьте инструмент в систему пылеудаления до упора так, чтобы он зафиксировался на месте с небольшим щелчком.

► **Рис.19:** 1. Кнопка разблокировки

Колпак для пыли

Дополнительные принадлежности

Используйте колпак для пыли для предотвращения падения пыли на инструмент и на вас при выполнении сверления над головой. Прикрепите колпак для пыли к сверлу, как показано на рисунке. Размер сверл, к которым можно прикрепить колпак для пыли, следующий.

Модель	Диаметр сверла
Колпак для пыли 5	6 мм - 14,5 мм
Колпак для пыли 9	12 мм - 16 мм

► **Рис.20:** 1. Колпак для пыли

Колпак для пыли в сборе

Дополнительные принадлежности

Перед установкой колпака для пыли в сборе снимите с инструмента сверло, если оно было на него установлено.

Установите колпак для пыли в сборе на инструмент таким образом, чтобы символ Δ на колпаке для пыли был совмещен с пазом инструмента.

► **Рис.21:** 1. Δ символ 2. Паз

ПРИМЕЧАНИЕ: В случае использования пылесоса совместно с колпаком для пыли в сборе перед подсоединением снимите крышку колпака для пыли.

► **Рис.22:** 1. Крышка колпака для пыли

Чтобы снять колпак для пыли в сборе, снимите сверло, при этом тяните крышку патрона по направлению стрелки.

► **Рис.23:** 1. Сверло 2. Крышка патрона

Возьмитесь за основание колпака для пыли и потяните.

► **Рис.24**

ПРИМЕЧАНИЕ: Если крышка отсоединилась от колпака для пыли, прикрепите ее так, чтобы сторона с печатью была направлена вверх, а выступ на крышке располагался внутри периметра дополнительного оборудования.

► **Рис.25**

ЭКСПЛУАТАЦИЯ

⚠ВНИМАНИЕ: Всегда пользуйтесь боковой ручкой (вспомогательной рукояткой) и при работе крепко держите инструмент и за боковую ручку, и за ручку с выключателем.

⚠ВНИМАНИЕ: Перед началом работы всегда проверяйте надежность закрепления рабочей детали.

▲ВНИМАНИЕ: Система пылеудаления предназначена только для сверления бетона. Не используйте систему пылеудаления при сверлении металла или дерева.

▲ВНИМАНИЕ: При использовании инструмента с системой пылеудаления к системе необходимо присоединить фильтр, чтобы избежать вдыхания пыли.

▲ВНИМАНИЕ: Перед использованием системы пылеудаления убедитесь, что фильтр не поврежден. Несоблюдение этого требования может привести к вдыханию пыли.

▲ВНИМАНИЕ: Система пылеудаления рассчитана на удаление значительного объема образующейся пыли, однако она не может удалить всю пыль.

ПРИМЕЧАНИЕ: Не используйте систему пылеудаления для колонкового бурения или долбления долотом.

ПРИМЕЧАНИЕ: Не используйте систему пылеудаления для сверления влажного бетона или во влажных условиях. Несоблюдение этого требования может привести к поломке.

► Рис.26

Сверление с ударным действием

▲ВНИМАНИЕ: Когда инструмент/головка сверла начинает выходить из материала при завершении отверстия или когда отверстие забивается стружкой или частицами, а также при попадании на пруток арматуры при сверлении бетона, возникает огромное мгновенное усилие на инструмент/головку сверла. **Всегда пользуйтесь боковой ручкой (вспомогательной рукояткой) и при работе крепко держите инструмент и за боковую ручку, и за ручку с выключателем.** Несоблюдение данного требования может привести к потере контроля над инструментом и серьезной травме.

Поверните ручку изменения режима работы к символу .

Расположите головку сверла в желаемом положении в отверстии, затем нажмите триггерный переключатель. Не прилагайте излишних усилий к инструменту. Небольшое усилие на инструмент приводит к лучшим результатам. Удерживайте инструмент на месте и не допускайте его соскальзывания с места выполнения отверстия.

Не применяйте дополнительное давление, если отверстие засорено щепками или посторонними частицами. Вместо этого дайте инструменту поработать вхолостую и затем частично вытащите головку сверла из отверстия. Если эту процедуру проделать несколько раз, отверстие очистится и можно будет возобновить обычное сверление.

ПРИМЕЧАНИЕ: При работе с инструментом без нагрузки может наблюдаться эксцентricность головки сверла при вращении. Инструмент осуществляет автоматическую центровку в ходе его эксплуатации. Это не влияет на точность сверления.

Расщепление/Скобление/Разрушение

Поверните ручку изменения режима работы к символу .

Крепко держите инструмент обеими руками. Включите инструмент и немного надавите на него, чтобы предотвратить неконтролируемое подпрыгивание инструмента.

Слишком сильное нажатие на инструмент не повысит эффективность.

► Рис.27

Сверление дерева или металла

▲ВНИМАНИЕ: Крепко удерживайте инструмент и будьте осторожны, когда головка сверла начинает проходить сквозь обрабатываемую деталь. В момент выхода головки сверла из детали возникает огромное усилие на инструмент/сверло.


▲ВНИМАНИЕ: Заклинившая головка сверла может быть без проблем извлечена из обрабатываемой детали путем изменения направления вращения при помощи реверсивного переключателя. Однако если вы не будете крепко держать инструмент, он может резко сдвинуться назад.

▲ВНИМАНИЕ: Всегда закрепляйте обрабатываемые детали в тисках или аналогичном зажимном устройстве.

ПРИМЕЧАНИЕ: Запрещается использовать режим "вращения с ударным действием", если на инструменте установлен сверлильный патрон. Это может привести к повреждению сверлильного патрона.

Кроме того, при изменении направления вращения сверлильный патрон отсоединится.

ПРИМЕЧАНИЕ: Чрезмерное нажатие на инструмент не ускорит сверление. На самом деле, чрезмерное давление только повредит наконечник головки сверла, снизит производительность инструмента и сократит срок его службы.

Поверните ручку изменения режима работы к символу .

Для HR2650/HR2651/HR2661

Дополнительные принадлежности

Прикрепите переходник патрона к сверлильному патрону без ключа, на который можно установить винт 1/2"-20, затем установите их на инструмент. При его установке обратитесь к разделу "Установка или снятие головки сверла".

► Рис.28: 1. Сверлильный патрон без ключа
2. Переходник патрона

Для HR2651T

Используйте в качестве стандартного оборудования быстро сменяемый сверлильный патрон. Процедура его установки описана в разделе «Замена быстро сменяемого патрона для SDS-plus».


Удерживайте кольцо и поверните втулку против часовой стрелки для освобождения кулачков зажимного патрона. Вставьте сверло в зажимной патрон как можно глубже. Крепко удерживая кольцо, поверните втулку по часовой стрелке для затяжки патрона.

► Рис.29: 1. Муфта 2. Кольцо

Чтобы снять сверло, удерживайте кольцо и поверните муфту против часовой стрелки.

Сверление колонковым алмазным долотом

ПРИМЕЧАНИЕ: Если выполнять работы колонковым алмазным долотом с использованием режима "вращение с ударным действием", колонковое алмазное долото можно повредить.

При сверлении колонковым алмазным долотом всегда переводите рычаг переключения в положение  "только вращение".

Удаление пыли

ВНИМАНИЕ: Перед проведением каких-либо работ с инструментом обязательно проверяйте, что инструмент выключен, а шнур питания вынут из розетки.

ВНИМАНИЕ: Обязательно надевайте защитную маску при удалении пыли.

ВНИМАНИЕ: Регулярно очищайте корпус для сбора пыли до его заполнения. Несоблюдение этого требования может привести к ухудшению процесса сбора пыли и вдыханию пыли.

ВНИМАНИЕ: Процесс удаления пыли ухудшается, если фильтр корпуса для сбора пыли засорен. В качестве рекомендации замените фильтр новым после 200 раз заполнения пылесборника. Несоблюдение этого требования может привести к вдыханию пыли.

1. Снимите корпус для сбора пыли при нажатии рычага корпуса.

► Рис.30: 1. Рычаг

2. Откройте крышку корпуса для сбора пыли.

► Рис.31: 1. Крышка

3. Удалите пыль, затем очистите фильтр.

► Рис.32

ПРИМЕЧАНИЕ: Во время очистки фильтра не прикасайтесь к фильтру щеткой или аналогичными приспособлениями и не направляйте сжатый воздух на фильтр. Это может привести к повреждению фильтра.

Груша для продувки

Дополнительные принадлежности

После сверления отверстия воспользуйтесь грушей для продувки, чтобы удалить пыль из отверстия.

► Рис.33

Использование колпака для пыли в сборе

Дополнительные принадлежности

Во время эксплуатации инструмента колпак для пыли в сборе должен быть установлен параллельно потолку.

► Рис.34

ПРИМЕЧАНИЕ: Не используйте колпак для пыли в сборе при сверлении металла или аналогичного материала. Это может привести к повреждению колпака для пыли в сборе нагретыми металлическими или подобными частицами.

ПРИМЕЧАНИЕ: Не устанавливайте и не снимайте колпак для пыли в сборе при установленной на инструмент головке сверла. Это может привести к повреждению колпака для пыли в сборе и утечке пыли.

ОБСЛУЖИВАНИЕ

ВНИМАНИЕ: Перед проверкой или проведением техобслуживания убедитесь, что инструмент выключен, а штекер отсоединен от розетки.

ПРИМЕЧАНИЕ: Запрещается использовать бензин, растворители, спирт и другие подобные жидкости. Это может привести к обесцвечиванию, деформации и трещинам.

Для обеспечения БЕЗОПАСНОСТИ и НАДЕЖНОСТИ оборудования ремонт, любое другое техобслуживание или регулировку необходимо производить в уполномоченных сервис-центрах Makita или сервис-центрах предприятия с использованием только сменных частей производства Makita.

Замена фильтра корпуса для сбора пыли

1. Снимите корпус для сбора пыли при нажатии рычага корпуса.

► Рис.35: 1. Рычаг

2. Вставьте плоскую отвертку в отверстия крышки фильтра, чтобы снять корпус фильтра и фильтр.

► Рис.36: 1. Плоская отвертка 2. Корпус фильтра

3. Снимите фильтр с корпуса фильтра.

► Рис.37: 1. Фильтр 2. Корпус фильтра

4. Прикрепите новый фильтр к корпусу фильтра, затем прикрепите их к корпусу для сбора пыли, совмещая при этом выступ на корпусе фильтра с пазом на корпусе для сбора пыли.

► **Рис.38:** 1. Выступ 2. Паз

5. Закройте крышку корпуса для сбора пыли, затем прикрепите его к инструменту.

Замена уплотнительной крышки

Износ уплотнительной крышки ухудшает процесс сбора пыли. При износе замените ее.

Снимите уплотнительную крышку, затем установите новую крышку выступом вверх.

► **Рис.39:** 1. Выступ 2. Уплотнительная крышка

ДОПОЛНИТЕЛЬНЫЕ ПРИНАДЛЕЖНОСТИ

⚠ ВНИМАНИЕ: Данные принадлежности или приспособления рекомендуются для использования с инструментом Makita, указанным в настоящем руководстве. Использование других принадлежностей или приспособлений может привести к получению травмы. Используйте принадлежность или приспособление только по указанному назначению.

Если вам необходимо содействие в получении дополнительной информации по этим принадлежностям, свяжитесь с вашим сервис-центром Makita.

- Головки сверла с твердосплавной пластиной (головки сверла с твердосплавной пластиной SDS-Plus)
- Колонковое долото
- Пирамидальное долото
- Колонковое алмазное долото
- Слесарное зубило
- Резец
- Канавочное зубило
- Переходник патрона
- Сверлильный патрон без ключа
- Смазка сверла
- Глубиномер
- Груша для продувки
- Колпак для пыли
- Колпак для пыли в сборе
- Защитные очки
- Пластмассовый чемодан для переноски

ПРИМЕЧАНИЕ: Некоторые элементы списка могут входить в комплект инструмента в качестве стандартных приспособлений. Они могут отличаться в зависимости от страны.

Makita Europe N.V. Jan-Baptist Vinkstraat 2,
3070 Kortenberg, Belgium

Makita Corporation 3-11-8, Sumiyoshi-cho,
Anjo, Aichi 446-8502 Japan

www.makita.com

885582-986
EN, SV, NO, FI, LV,
LT, ET, RU
20170309