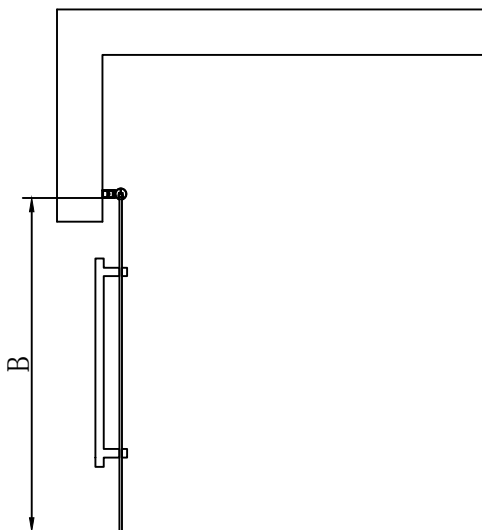
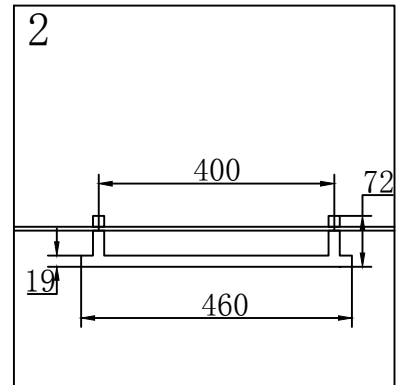
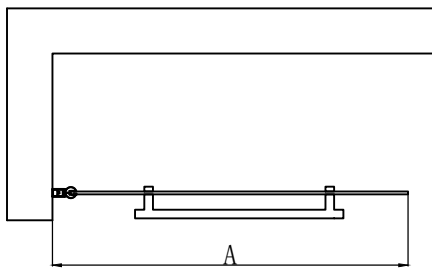
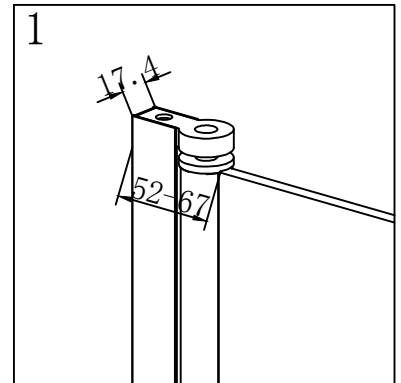
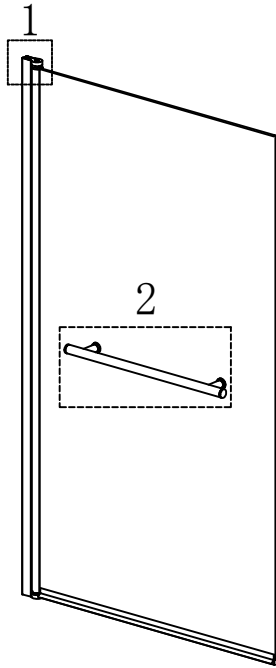


RGW SC-15



| | A | B | H | H1 |
|----------|---------|-----|------|------|
| 800x1400 | 785-800 | 735 | 1400 | 1367 |