

GERMANY'S NO. 1\*  
PSU MANUFACTURER

be quiet!®



# SYSTEM POWER 9

PROVEN RELIABILITY AND GOOD EFFICIENCY

700W • 600W • 500W • 400W

## IDEAL APPLICATIONS

Office applications  
Entry-level gaming systems  
Multimedia and home theater systems

## HIGHLIGHTS

80 PLUS® Bronze efficiency  
DC-to-DC technology  
Quiet operation

### Proven Reliability and Good Efficiency

The be quiet! System Power 9 series offers renowned be quiet! reliability and quietness for price-conscious PC builders.

### Highlights »

- Rock-solid stability with two strong 12V-rails
- DC-to-DC technology for tight voltage regulation
- Up to four PCIe connectors for powerful GPUs
- Temperature-controlled 120mm fan reduces system noise
- Stand-by drain of less than 0.15 watts
- 80 PLUS® Bronze efficiency (up to 89%)
- Attractive black sleeved cables
- Complete suite of top safety features
- Meets latest Intel® C6/C7, ErP and Energy Star 6.1 guidelines
- 3-year manufacturer's warranty
- Product conception, design and quality control in Germany

### System Power 9 »

Simply the best price-conscious choice for stability, performance and quietness.



\*According to the yearly PC Games Hardware's „Manufacturer of the year“ election (2006-2020) and market data from GfK (2007-2020)

# SYSTEM POWER 9

PROVEN RELIABILITY AND GOOD EFFICIENCY

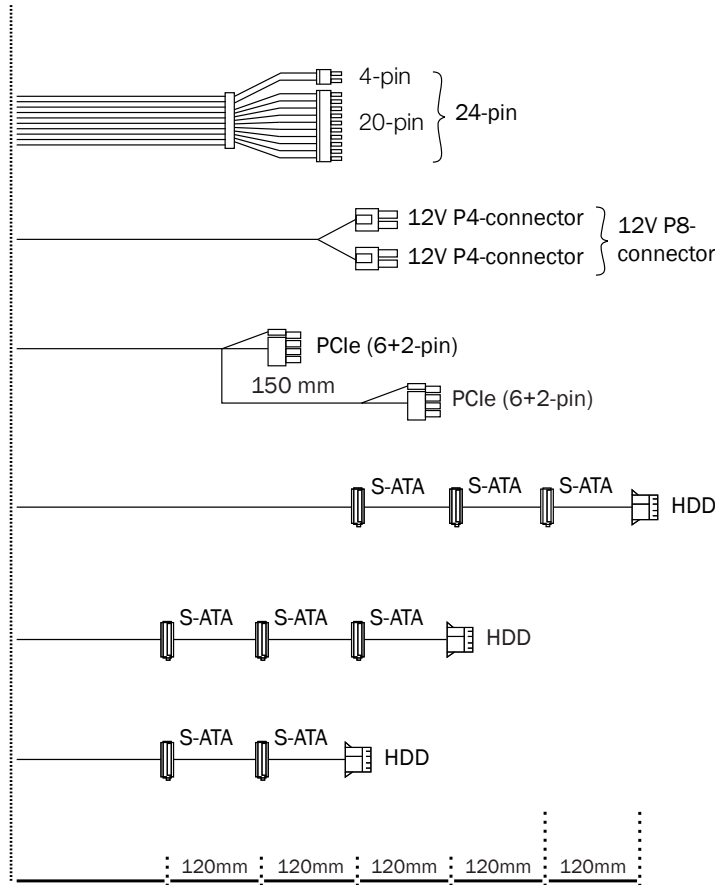
Technical Data »					
IN GENERAL	Model	700W	600W	500W	400W
	Article no.	BN248	BN247	BN246	BN245
	EAN code	4260052186077	4260052186060	4260052186053	4260052186046
	Voltage (Vac) / Frequency (Hz)	200-240 / 50	200-240 / 50	200-240 / 50	200-240 / 50
	Dimensions (L x W x H)	140 x 150 x 86	140 x 150 x 86	140 x 150 x 86	140 x 150 x 86
	ATX 12V 2.4 / EPS 12V 2.92	✓ / ✓	✓ / ✓	✓ / -	✓ / -
	High-quality fan (mm)	120	120	120	120
	Noise level (dB(A)) at 20 / 50 / 100% load	10.6 / 15.4 / 31.7	9.2 / 12.8 / 31.2	11.1 / 13.6 / 28.2	9.5 / 10.4 / 18.6
	12V-rails	2	2	2	2
	PFC	active	active	active	active
	Efficiency (%) at 230V	80 PLUS® Bronze 230V EU internal / up to 89%	80 PLUS® Bronze 230V EU internal / up to 89%	80 PLUS® Bronze 230V EU internal / up to 89%	80 PLUS® Bronze 230V EU internal / up to 89%
	Energy Star 6.1 compatible	✓	✓	✓	✓
	ErP ready / Power in stand-by (W)	✓ / 0.15	✓ / 0.15	✓ / 0.15	✓ / 0.15
	OCP, OVP, UVP, SCP, OPP, OTP	✓	✓	✓	✓
	Lifetime of PSU at 25°C (h)	100,000	100,000	100,000	100,000
CABLES	No. of cables	6	6	5	5
	Maximum cable length (cm)	91	91	91	91
	Length of ATX-connection cable (cm)	55	55	55	45
	Sleeved cables	✓	✓	✓	✓
CONNECTORS	ATX motherboard (20+4-pin)	✓	✓	✓	✓
	PCI express (6+2-pin)	4	4	2	2
	P8-/P4-connector	1x P4+4	1x P4+4	1x P4+4	1x P4+4
	S-ATA	6	6	6	5
	P-ATA	2	2	2	2

Output Data »											
SYSTEM POWER 9 700W	AC Input	200-240Vac 50Hz 6A									
	DC Output	3.3V	5V	12V1	12V2	-12V	5VSB				
	Max. Current	24A	15A	33A	25A	0.3A	3A				
	Max. Combined Power	130W		672W		3.6W	15W	700W			
SYSTEM POWER 9 500W	AC Input	200-240Vac 50Hz 4A									
	DC Output	3.3V	5V	12V1	12V2	-12V	5VSB				
	Max. Current	24A	15A	24A	20A	0.3A	3A				
	Max. Combined Power	110W		456W		3.6W	15W	500W			
SYSTEM POWER 9 600W	AC Input	200-240Vac 50Hz 6A									
	DC Output	3.3V	5V	12V1	12V2	-12V	5VSB				
	Max. Current	24A	15A	28A	22A	0.3A	3A				
	Max. Combined Power	120W		576W		3.6W	15W	600W			
SYSTEM POWER 9 400W	AC Input	200-240Vac 50Hz 4A									
	DC Output	3.3V	5V	12V1	12V2	-12V	5VSB				
	Max. Current	24A	15A	22A	18A	0.3A	3A				
	Max. Combined Power	103W		384W		3.6W	15W	400W			

# SYSTEM POWER 9

PROVEN RELIABILITY AND GOOD EFFICIENCY

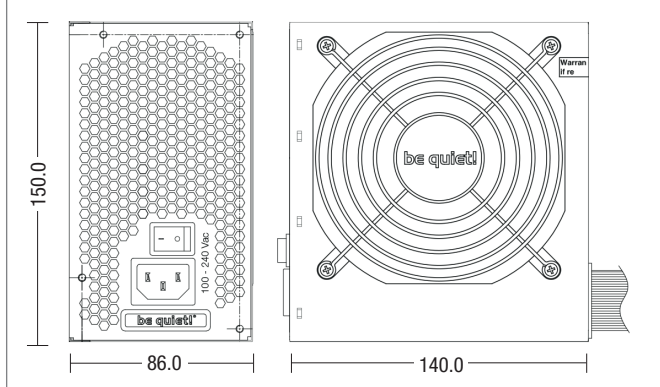
Cables »



Cable length to first connector

	700W	600W	500W	400W
24-pin	550mm	550mm	550mm	450mm
12V P8-connector	600mm	600mm	600mm	600mm
PCIe (6+2-pin)	500mm 2x	500mm 2x	500mm	500mm
3x S-ATA	550mm	550mm	550mm	550mm
3x S-ATA	350mm	350mm	350mm	-
2x S-ATA	-	-	-	350mm

Dimensions (mm) »



Certifications »



Contact »

be quiet! Headquarters

Listan GmbH  
 Wilhelm-Bergner-Straße 11c  
 21509 Glinde  
 Germany

Service hotline: +49 40 7367 686 44

e-mail: [service@bequiet.com](mailto:service@bequiet.com)  
 Visit the contact section on [bequiet.com](http://bequiet.com)  
 for the right regional service information.