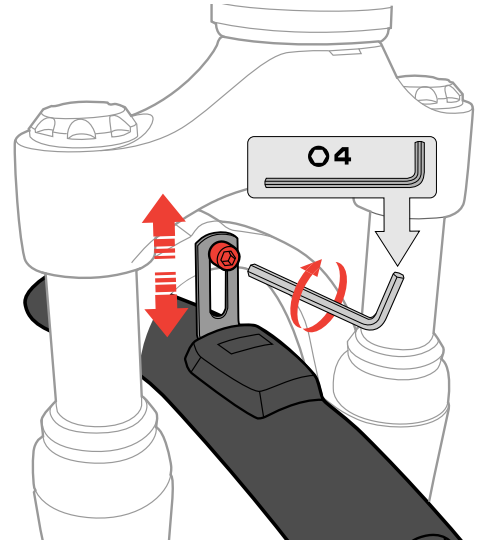
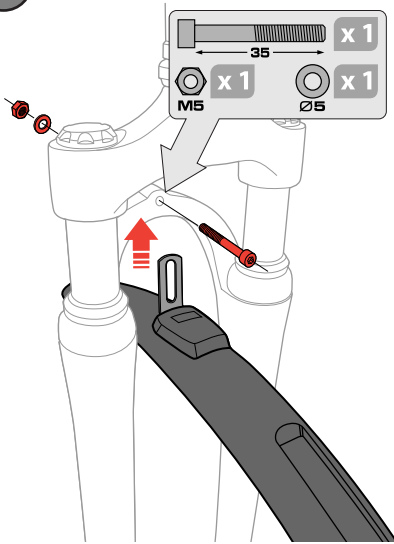
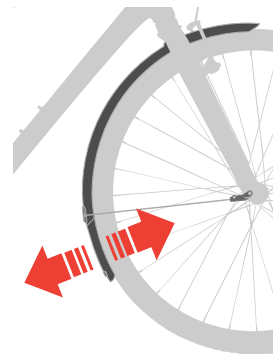
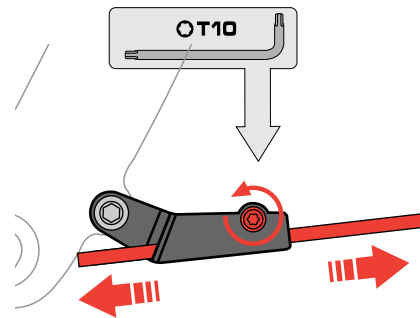
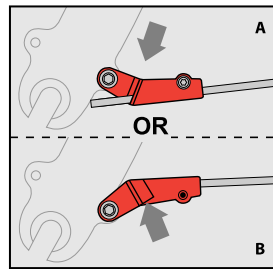
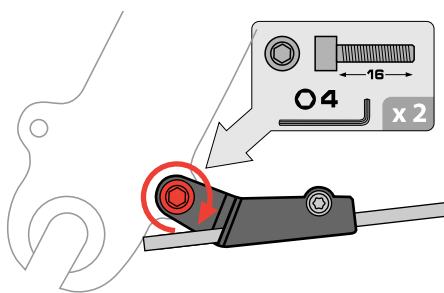




1

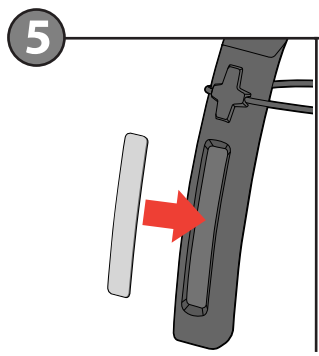
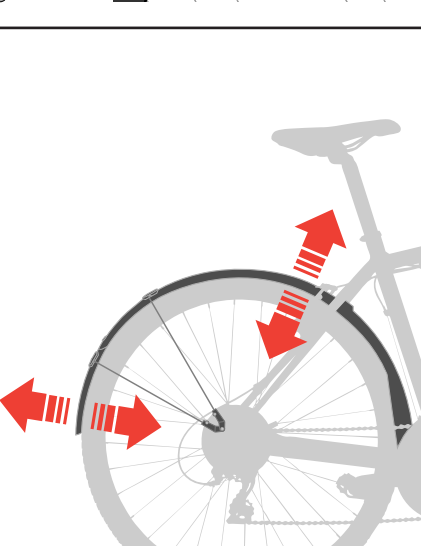
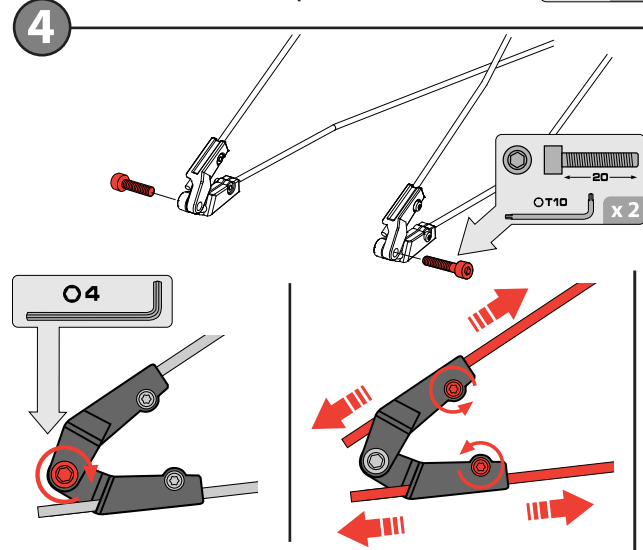
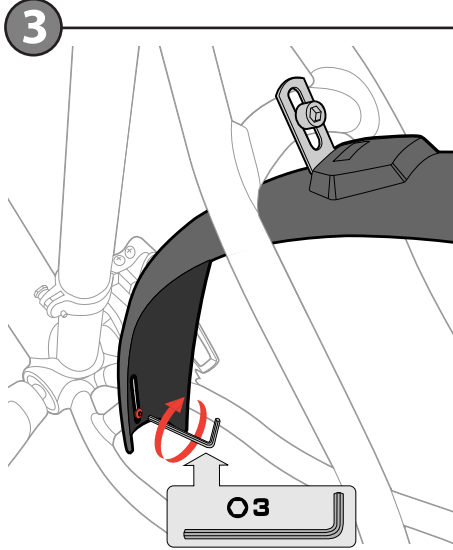
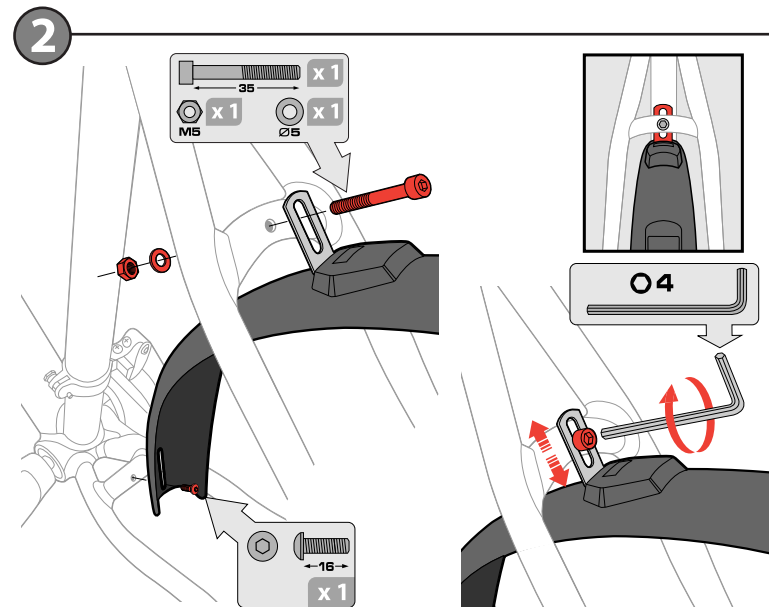
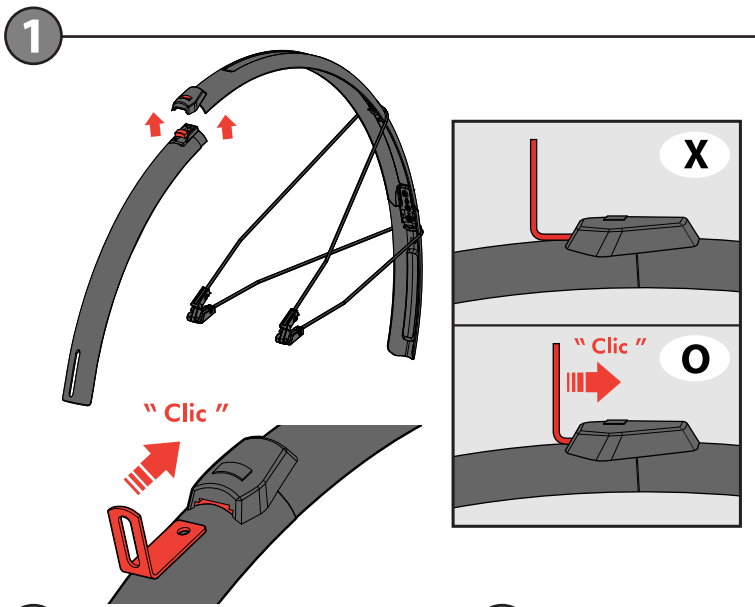
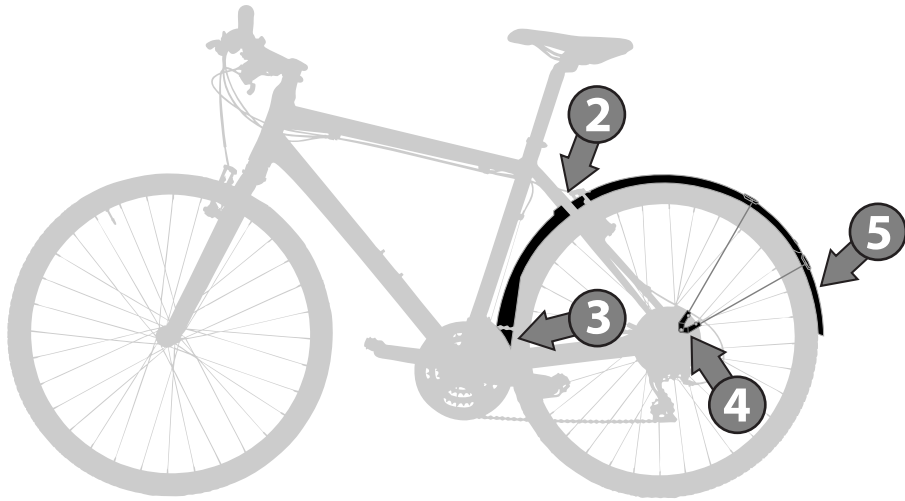
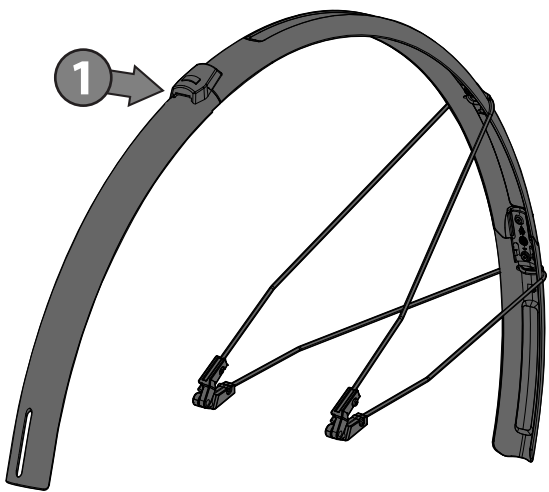


2



Technical information



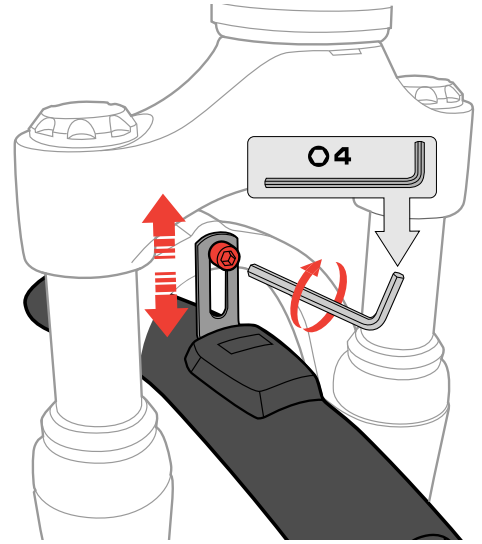
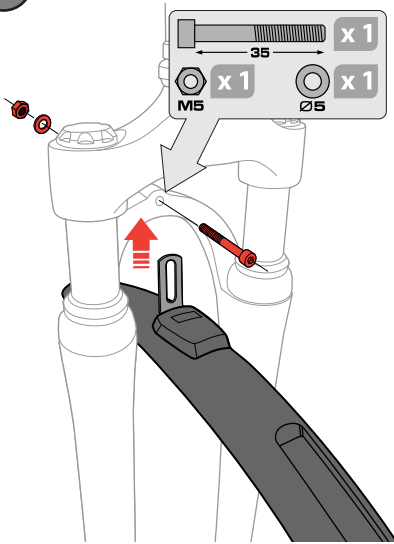


Technical information

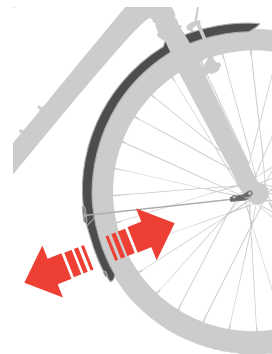
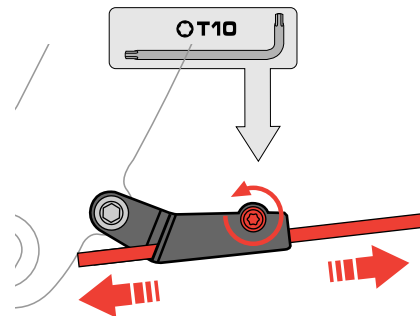
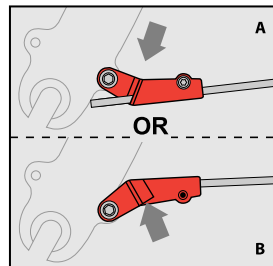
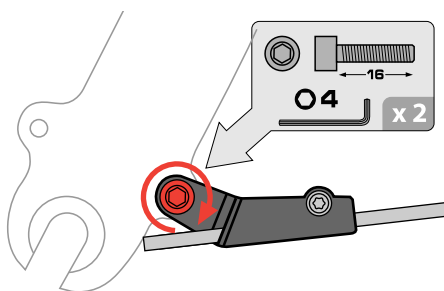
--	--	--	--



1

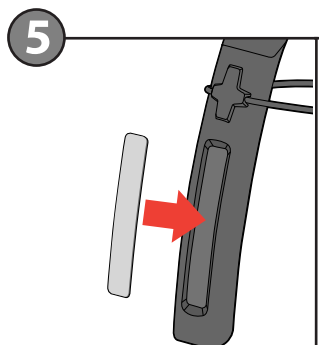
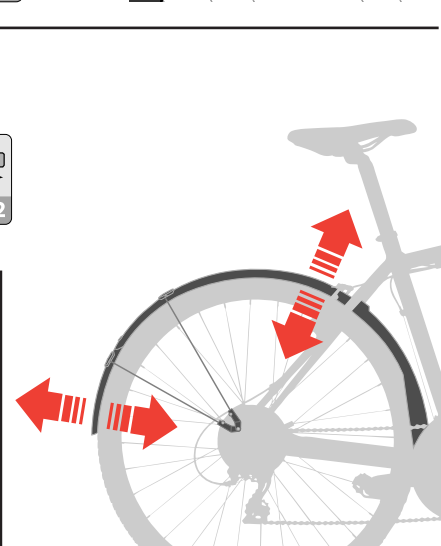
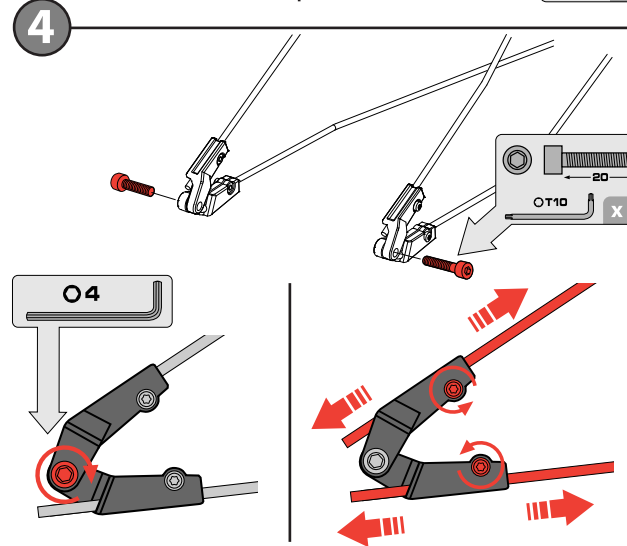
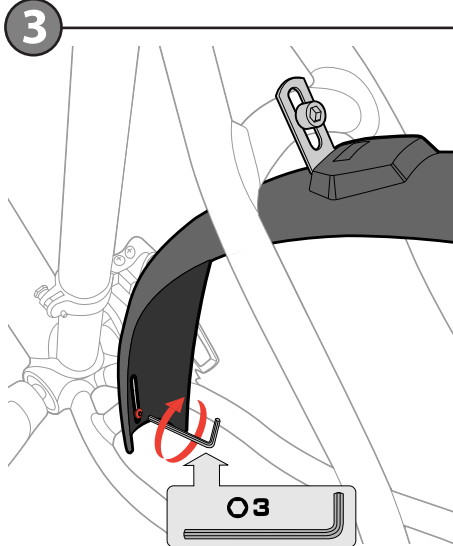
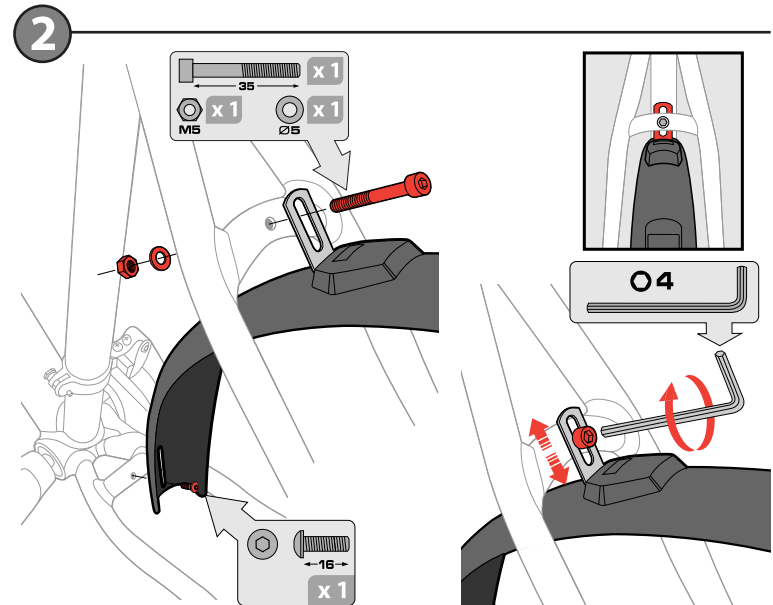
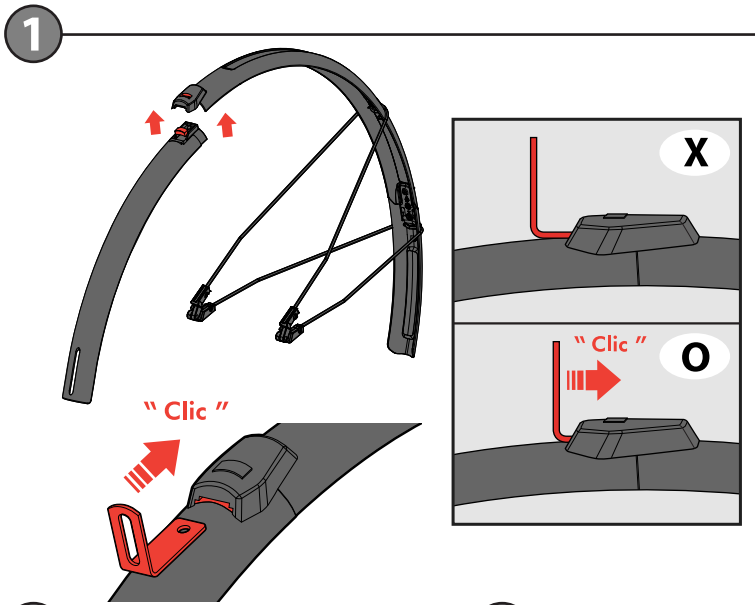
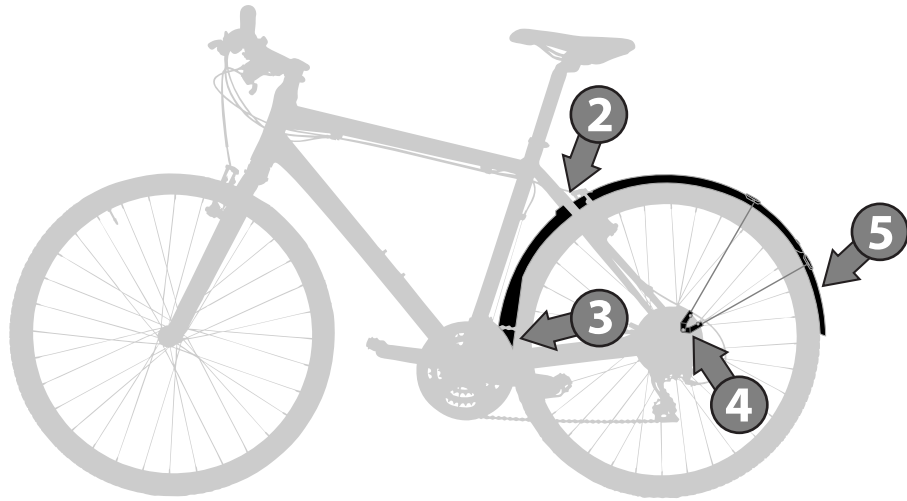
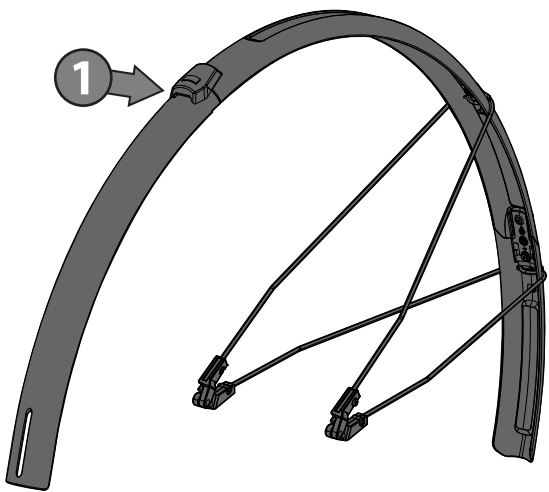


2



Technical information





Technical information

--	--	--	--