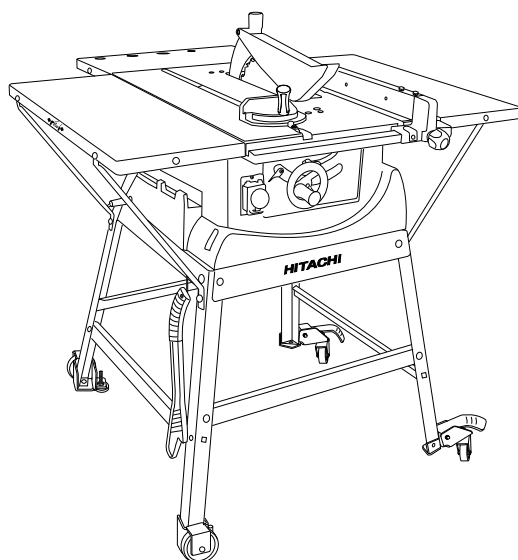


Model
Модель

C 10RE

Jobsite Table Saw
Настольная дисковая пила



INSTRUCTION MANUAL AND SAFETY INSTRUCTIONS

WARNING

Improper and unsafe use of this power tool can result in death or serious bodily injury!
This manual contains important information about product safety. Please read and understand this manual before operating the power tool. Please keep this manual available for others before they use the power tool.

ИНСТРУКЦИЯ ПО ЭКСПЛУАТАЦИИ И ТЕХНИКЕ БЕЗОПАСНОСТИ

ВНИМАНИЕ

Ненадлежащее использование данного механизированного инструмента и несоблюдение техники безопасности могут привести к серьезным травмам!
В данной инструкции содержится важная информация относительно техники безопасности. Перед эксплуатацией инструмента следует прочесть и полностью понять данную инструкцию. Обеспечьте свободный доступ к данной инструкции всем, кто будет использовать инструмент.

CONTENTS

English

SECTION	PAGE
Product Specifications	3
Power Tool Safety	4
Table Saw Safety	5
Electrical Requirements and Safety	6
Accessories and Attachments	7
Tools Needed for Assembly	7
Carton Contents	7
Know Your Table Saw	9
Assembly and Adjustments	10
Operation	15
Maintenance	18
Troubleshooting Guide	19
Push Stick Pattern	20
Parts List	39

СОДЕРЖАНИЕ

Русский

РАЗДЕЛ	СТР.
Спецификации инструмента.....	21
Техника безопасности механизма.....	22
Техника безопасности станка.....	23
Требования к электрике и техника безопасности.....	24
Аксессуары и дополнительное оборудование.....	25
Инструменты, необходимые для сборки.....	25
Содержимое коробки.....	25
Знайте конструкцию станка.....	27
Сборка и настройка.....	28
Эксплуатация.....	33
Обслуживание.....	36
Устранение неполадок.....	37
Шаблон толкателя.....	38
Перечень деталей.....	39

⚠ WARNING

Some dust created by power sanding, sawing, grinding, drilling and other construction activities contains chemicals known to the state of California to cause cancer, birth defects or other reproductive harm. Some examples of these chemicals are:

- Lead based paints
- Crystalline silica from bricks, cement and other masonry products
- Arsenic and chromium from chemically treated lumber

Your risk from these exposures varies, depending on how often you do this type of work. To reduce your exposure to these chemicals, work in a well-ventilated area and work with approved safety equipment, such as dust masks that are specially designed to filter out microscopic particles.

PRODUCT SPECIFICATIONS

MOTOR

Type	Universal
Amps	6.5A
Voltage	230V/50Hz
Watts	1600W (S6, 25%, 10min)
No load speed	4800min ⁻¹
Overload Protection	YES

SAW

Table Size with Extension.....	970mm x 890mm
Table Extension	Left, Right, Rear
Rip Capacity	130mm R x 185mm L
Blade Size.....	250mm
Rip Scale	YES
Rip Fence	YES
Mitre Gauge	YES
Maximum Cut Depth @ 90°	73mm
Maximum Cut Depth @ 45°	63mm
Net Weight	28kg

SYMBOLS

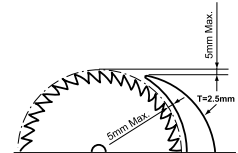
V..... Volts	A..... amperes
Hz..... hertz	W..... watts
min..... minutes	~..... alternating current
h..... hours	Ⓜ..... class II Construction
I..... ON	O..... OFF
min ⁻¹ revolutions per minute	



Wear safety goggles

Wear ear protection

Wear a breathing mask



ENVIRONMENTAL PROTECTION



Recycle unwanted materials instead of disposing of them as waste. All tools, hoses and packaging should be sorted, taken to the local recycling center and disposed of in an environmentally safe way.

⚠ WARNING

Noise can be a health hazard. When the noise level exceeds 85dB(A), be sure to wear ear protection.

⚠ WARNING

To avoid electrical hazards, fire hazards or damage to the table saw, use proper circuit protection. This table saw is wired at the factory for 230 Volt operation. It must be connected to a 230 Volt / 6.5 Ampere time delay fuse or circuit breaker. To avoid shock or fire, replace power cord immediately if it is worn, cut or damaged in any way. Before using your table saw, it is critical that you read and understand these safety rules. Failure to follow these rules could result in serious injury to you or damage to the table saw.

⚠ WARNING

Through poor conditions of the electrical MAINS, shortly voltage drops can appear when starting the EQUIPMENT. This can influence other equipment (e.g. blinking of a lamp). If the MAINS-IMPEDANCE $Z_{max} < 0.3 \text{ OHM}$, such disturbances are not expected. (In case of need, you may contact your local supply authority for further information).

POWER TOOL SAFETY

WARNING

Before using your table saw, it is critical that you read and understand these safety rules. Failure to follow these rules could result in serious injury or damage to the table saw.

Good safety practices are a combination of common sense, staying alert and understanding how to use your power tool. To avoid mistakes that could cause serious injury, do not plug in your power tool until you have read and understood the following safety rules:


1. **READ** and become familiar with this entire Operator's Manual. **LEARN** the tool's applications, limitations and possible hazards.
2.  **WARNING**
Look for this symbol that identifies important safety precautions. It means BE ALERT! YOUR SAFETY IS INVOLVED!
3. **NEVER OPERATE THIS MACHINE WITHOUT THE SAFETY GUARD IN PLACE FOR ALL THROUGH –SAWING OPERATIONS.**
4. **DO NOT USE IN A DANGEROUS ENVIRONMENT** such as damp or wet locations or in the rain. Keep work area well lighted.
5. **DO NOT** use power tools in the presence of flammable liquids or gases.
6. **KEEP WORK AREA CLEAN.** Cluttered areas and benches invite accidents.
7. **KEEP CHILDREN AWAY.** All visitors should be kept at a safe distance from the work area.
8. **DO NOT FORCE THE TOOL.** It will do the job better and safer if used at the rate for which it was designed.
9. **USE THE RIGHT TOOL.** Don't force the tool or attachment to do a job for which it is not designed.
10. **WEAR PROPER APPAREL. DO NOT** wear loose clothing, gloves, neckties, rings, bracelets or other jewelry that may get caught in moving parts. Non-slip footwear is recommended. Wear protective hair covering to contain long hair.
11. **WEAR A FACE MASK OR DUST MASK.** Sawing, cutting and sanding operations produce dust.
12. **DISCONNECT TOOLS** before servicing and when changing accessories, such as blades, cutters, etc.
13. **REDUCE THE RISK OF UNINTENTIONAL STARTING.** Make sure the switch is in the OFF position before plugging tool into the power supply.
14. **USE ONLY RECOMMENDED ACCESSORIES.** Consult the Operator's Manual for recommended accessories. The use of improper accessories may cause injury to you or damage to the tool.
15. **REMOVE ADJUSTING KEYS AND WRENCHES.** Form the habit of checking to see that keys and adjusting wrenches are removed from the tool before turning **ON**.
16. **NEVER LEAVE TOOL RUNNING UNATTENDED. TURN THE POWER OFF.** Do not leave the tool before the blade comes to a complete stop.
17. **NEVER STAND ON TOOL.** Serious injury could occur if the tool is tipped or if the cutting tool is unintentionally contacted.
18. **DO NOT OVERREACH.** Keep proper footing and balance at all times.
19. **MAINTAIN TOOLS WITH CARE.** Keep tools sharp and clean for most efficient and safest performance. Follow instructions for lubricating and changing accessories.
20. **CHECK FOR DAMAGED OR LOOSE PARTS.** Check for alignment of moving parts, binding of moving parts, loose mounting and any other conditions that may affect its safe operation. A guard or other part that is loose or damaged should be properly adjusted, repaired or replaced.
21. **MAKE WORKSHOP CHILDPROOF** with padlocks, master switches or by removing starter keys.
22. **DO NOT** operate the tool if you are under the influence of any drugs, alcohol or medication that could impair your ability to use the tool safely.
23. **USE A DUST COLLECTION SYSTEM** whenever possible. Dust generated from certain materials can be hazardous to your health and, in some cases, a fire hazard. Always operate the power tool in a well-ventilated area with adequate dust removal.
24. **ALWAYS WEAR EYE PROTECTION.** Any power tool can throw debris into your eyes that could cause permanent eye damage. **ALWAYS** wear safety goggles (not glasses) that comply with **ANSI** safety standard Z87.1. Everyday glasses have only impact resistant lenses. They **ARE NOT** safety glasses.
NOTE: Glasses or goggles not in compliance with ANSI Z87.1 could cause serious injury when they break.
25. **DIRECTION OF FEED.** Feed work into a blade or cutter against the direction of rotation of the blade or cutter only.

TABLE SAW SAFETY

1. **ALWAYS USE SAW BLADE GUARD**, splitter and antikickback pawls for every operation for which they can be used, including through sawing. Through sawing operations are those in which the blade cuts completely through the workpiece when ripping or crosscutting.
2. **ALWAYS HOLD WORK FIRMLY** against the mitre gauge or rip fence.
3. **ALWAYS USE** a push stick, especially when ripping narrow stock. Refer to ripping instructions in this Operator's Manual where the push stick is covered in detail. A pattern for making your own push stick is included on page 20.
4. **NEVER PERFORM ANY OPERATION FREEHAND**, which means using only your hands to support or guide the workpiece. **Always use either the fence or the mitre gauge to position and guide the work.**
WARNING: FREEHAND CUTTING IS THE MAJOR CAUSE OF KICKBACK AND FINGER/HAND AMPUTATIONS.
5. **NEVER STAND** or have any part of your body in line with the path of the saw blade. Keep your hands out of the saw blade path.
6. **NEVER REACH** behind or over the cutting tool for any reason.
7. **REMOVE** the rip fence when crosscutting.
8. **DO NOT USE** a molding head with this saw.
9. **FEED WORK INTO THE BLADE** against the direction of rotation only.
10. **NEVER** use the rip fence as a cut-off gauge when crosscutting.
11. **NEVER ATTEMPT TO FREE A STALLED SAW BLADE** without first turning the saw **OFF**. Turn power switch **OFF** immediately to prevent motor damage.
12. **PROVIDE ADEQUATE SUPPORT** to the rear and the sides of the saw table for long or wide workpieces.
13. **AVOID KICKBACKS** (work thrown back towards you) by keeping the blade sharp, the rip fence parallel to the saw blade and by keeping the splitter, anti-kickback pawls and guards in place, aligned and functioning. Do not release work before passing it completely beyond the saw blade. Do not rip work that is twisted, warped or does not have a straight edge to guide it along the fence.
14. **AVOID AWKWARD OPERATIONS** and hand positions where a sudden slip could cause your hand to move into the saw blade.
15. **NEVER USE SOLVENTS** to clean plastic parts. Solvents could possibly dissolve or otherwise damage the material. Only a soft damp cloth should be used to clean plastic parts.
16. **MOUNT** your table saw on a bench or stand before performing any cutting operations. Refer to **ASSEMBLY AND ADJUSTMENTS** on page 10.
17. **NEVER CUT METALS** or materials that may make hazardous dust.
18. **ALWAYS USE IN A WELL-VENTILATED AREA.** Remove sawdust frequently. Clean out sawdust from the interior of the saw to prevent a potential fire hazard. Attach a vacuum to the dust port for additional sawdust removal.
19. **NEVER LEAVE THE SAW RUNNING UNATTENDED.** Do not leave the saw until the blade comes to a complete stop.
20. For proper operation follow the instructions in this Operator's Manual entitled **ASSEMBLY AND ADJUSTMENTS** (Page 10). Failure to provide sawdust fall-through and removal hole will allow sawdust to build up in the motor area resulting in a fire hazard and potential motor damage.

ELECTRICAL REQUIREMENTS AND SAFETY

CONNECTING TO THE POWER SUPPLY

Check that the power supply and plug used is in accordance with your table saw. Have a look at the rating plate of the motor or the rating on the table saw. Any changes should always be carried out by a qualified electrician.

WARNING

This machine must be earthed.

If not properly earthed this machine can cause an electrical shock. Be sure that the power supply outlet is earthed. If there is any doubt, have it checked by a qualified electrician.

WARNING

Avoid contact with the terminals on the plug when installing (removing) the plug to (from) the power supply outlet. Contact will cause a severe electrical shock.

USING AN EXTENSION LEAD

The use of any extension lead will cause some loss of power. To keep this to a minimum and to prevent overheating and motor burn-out, ask advice from a qualified electrician to determine the minimum wire size of the extension lead.

The extension lead should be equipped with an earthed type plug that fits the power supply outlet at one end, and with an earthed type socket that fits the plug of this machine at the other end.

ACCESSORIES AND ATTACHMENTS

RECOMMENDED ACCESSORIES

WARNING

Visit your Hardware Department or see the Power and Hand Tools Catalog to purchase recommended accessories for this power tool.

WARNING

To avoid the risk of personal injury:

- Do not use molding head set with this saw.
- Do not modify this power tool or use accessories not recommended by Store.

TOOLS NEEDED FOR ASSEMBLY

Supplied

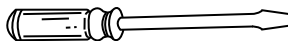


Wrench



Wrench

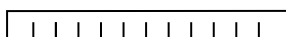
Not Supplied



Medium Screwdriver



#2 Phillips Screwdriver



Straight Edge



Adjustable Wrench



Combination Square

CARTON CONTENTS

UNPACKING AND CHECKING CONTENTS

Separate all parts from packing materials. Check each part with the illustration on the next page and the "Table of Loose Parts" to make certain all items are accounted for before discarding any packing material.

TABLE OF LOOSE PARTS

ITEM	DESCRIPTION	QUANTITY
A	Table saw assembly	1
B	Riving knife assembly	1
C	Riving knife hardware bag	1
D	Rip fence	1
E	Blade	1
F	Blade wrench	2
G	Push stick	1
H	Mitre gauge	1
I	Push stick storage	1
J	Handwheel	1
K	Rear table extension	1
L	Rear table extension bracket	2
M	Rear table extension support	2
N	Rear table extension hardware bag	1
O	Auxiliary fence	1
P	Auxiliary fence hardware bag	1
Q	Table side extension	2

R	Left side table extension support	2
S	Right side table extension support	2
T	Table side extension hardware bag	1
U	Screw	4
V	Base cover	1

STAND:

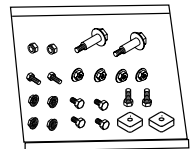
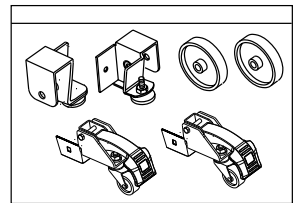
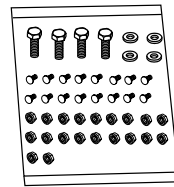
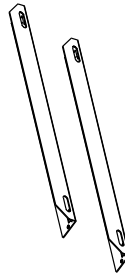
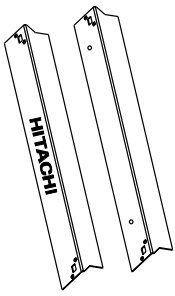
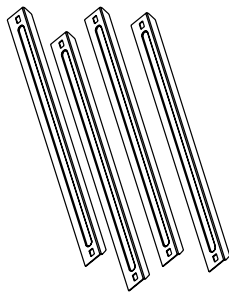
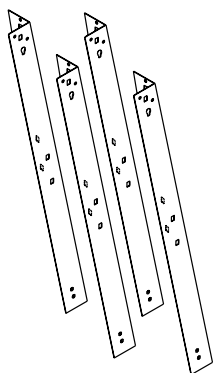
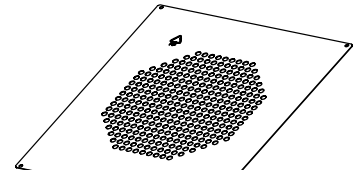
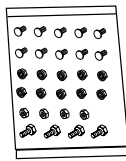
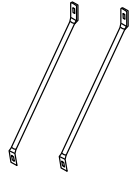
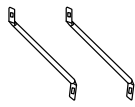
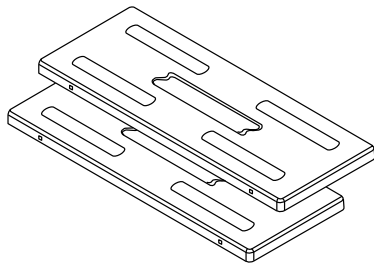
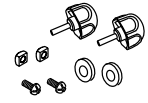
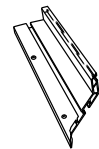
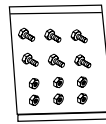
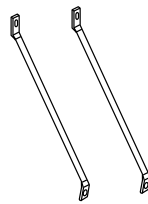
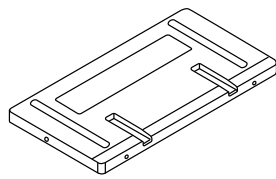
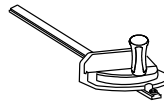
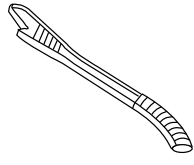
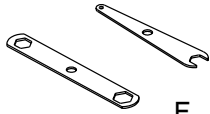
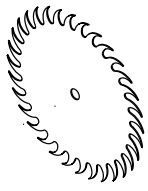
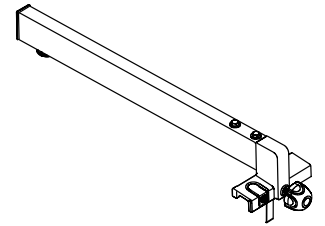
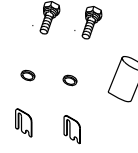
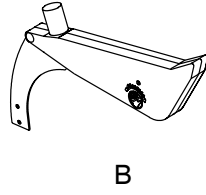
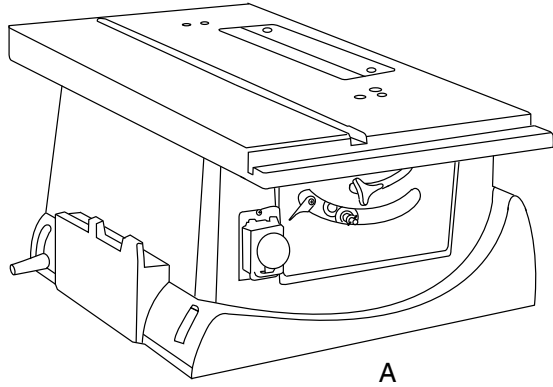
W	Leg	4
X	Bottom support bracket	4
Y	Long upper support	2
Z	Short upper support	2
AA	Stand hardware bag	1
BB	Wheel assembly hardware bag	1
CC	Wheel hardware bag	1

WARNING

If any part is missing or damaged, do not attempt to assemble the table saw, plug in the power cord, or turn the switch ON until the missing or damaged part is obtained and is installed correctly.

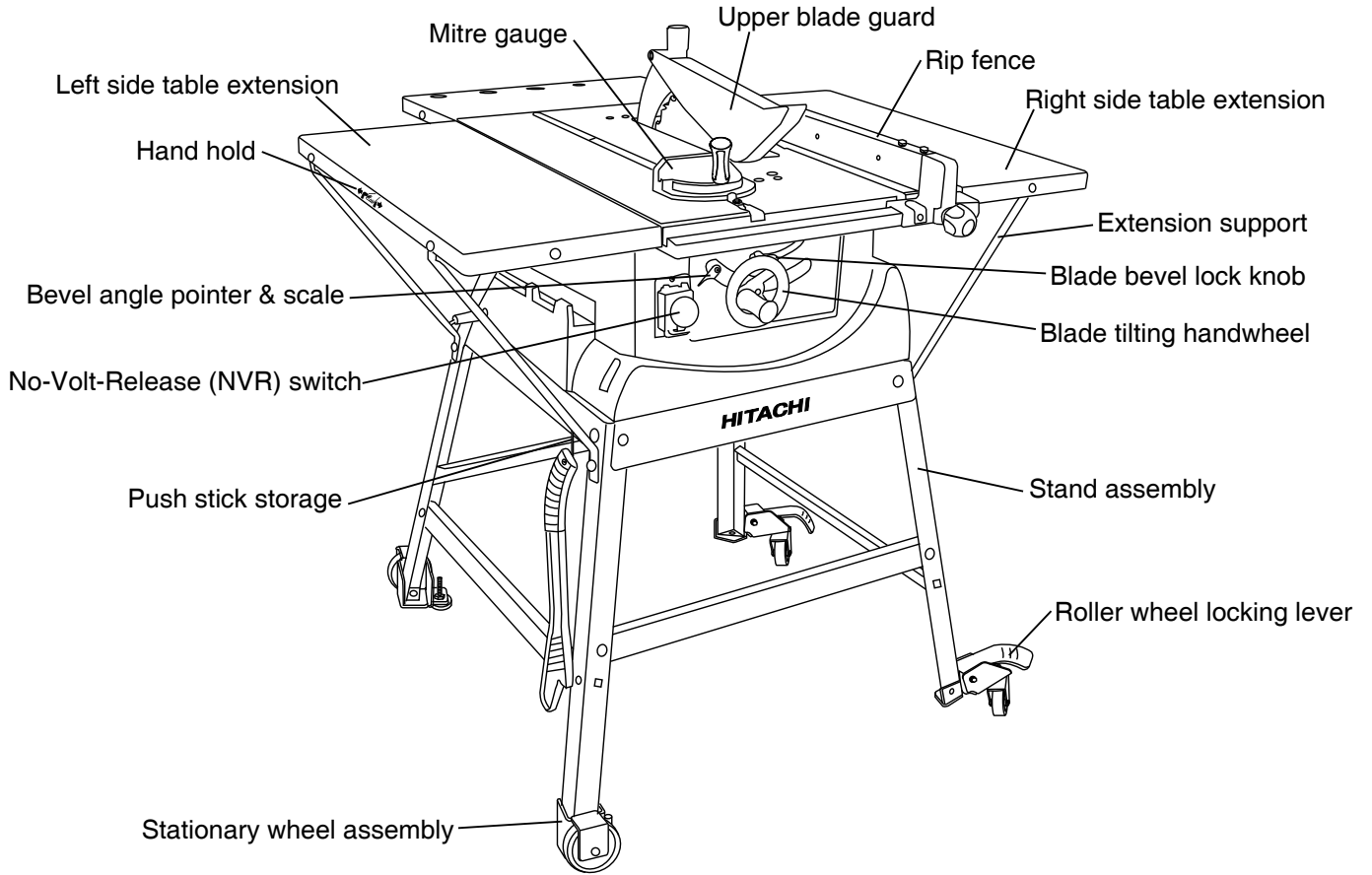
NOTE: To make assembly easier, keep contents of box together. Apply a coat of automobile wax to the table. Wipe all parts thoroughly with a clean dry cloth. This will reduce friction when pushing the workpiece.

UNPACKING YOUR TABLE SAW

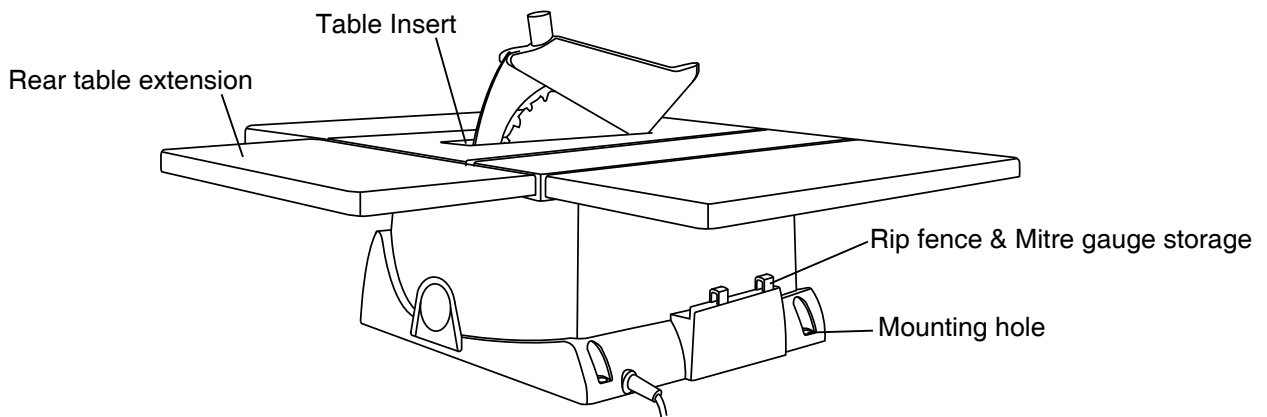


KNOW YOUR TABLE SAW

The Front of Table Saw

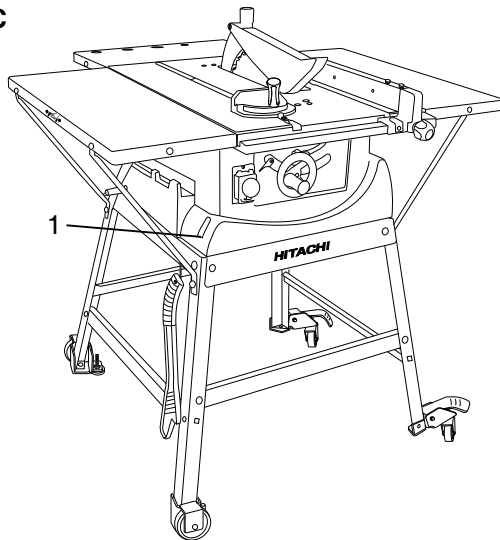


The Rear of Table Saw



ASSEMBLE TABLE SAW TO STAND (FIG. A & C)

1. Position the saw base on the leg set and match the holes (1) of the saw base to the holes of the stand. (Fig. C)
2. Secure the saw base to the leg set using bolts (28), washers (24) and nuts (25). (Fig. A)

Fig. C**INSTALLING THE PUSH-STICK STORAGE (FIG. A)**

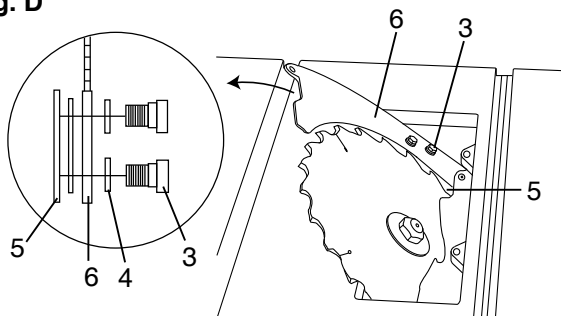
Attach the hook (22-Fig. A) into the left short upper support (6) for push stick storage.

INSTALLING THE RIVING KNIFE (FIG. D)

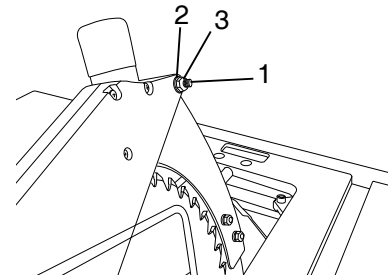
1. Rise the blade to its highest position by turning the handwheel and tilt the blade to 45° bevel angle.
2. Loosen the screws on the table insert and remove the table insert.
3. Place the knob bolts (3), and flat washers (4) on the riving knife bracket (5) and the riving knife (6).
4. Tighten the knob bolts (3).
5. Replace the table insert and tighten the screw.

⚠ WARNING

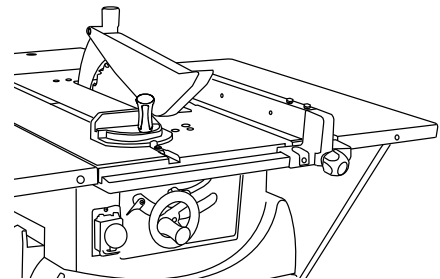
The riving knife thickness of 2.5 mm. Make sure the blade and riving knife are aligned on the same line. If not, adjust the riving knife by loosening the knob bolts. It should be less than 5 mm at all positions.

Fig. D**Blade Guard Assembly (Fig. E)**

Place the blade guard on the riving knife and secure it with the bolt (1), flat washer (2), and nut (3).

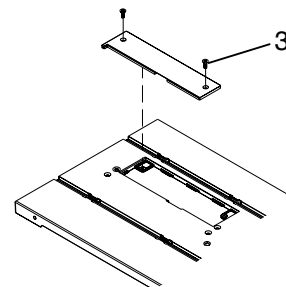
Fig. E**INSTALLING THE RIP FENCE (FIG. F)**

Slide in the rip fence assembly from the end of the table with aligning the groove in the front of the table and the tongue on the fence bracket.

Fig. F**INSTALLING AND CHANGING THE BLADE (FIG. G, H)****⚠ WARNING**

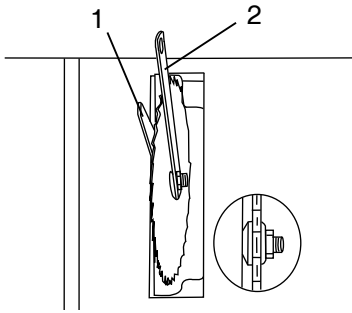
To avoid injury from accidental starting, always turn the switch off ("0") and remove the power plug from the power source before changing the blades.

1. Loosen the screws (3) on the table insert by a screwdriver and remove the table insert.

Fig. G

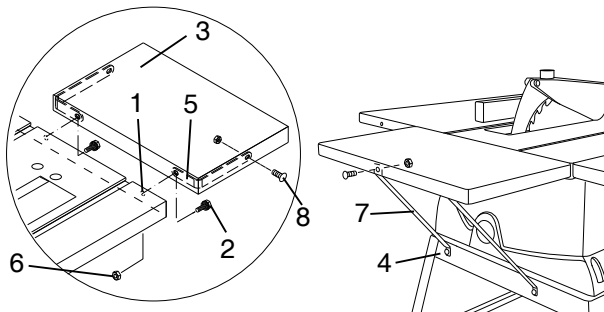
2. Raise the saw blade to its maximum height.
3. Use the supplied open end wrench (1) to keep the arbor from turning and the supplied box-end wrench (2) to loosen the arbor nut. (Fig. H)
4. Remove the arbor nut and flange.
5. Replace the saw blade. Make sure the teeth of the blade point down at the front of the table.
6. Assemble the arbor flange and arbor nut back to the saw arbor and tighten the arbor nut.
7. Replace the table insert and retighten the two screws.

Fig. H

**INSTALLING REAR TABLE EXTENSION (FIG. I)**

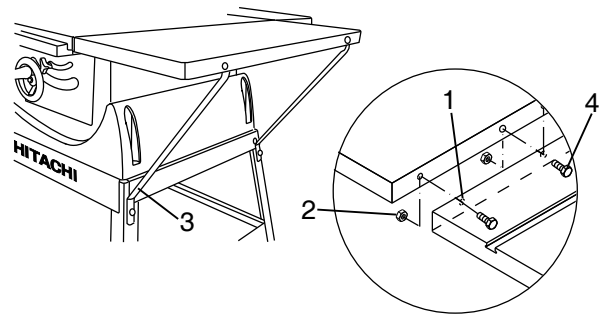
1. Place the rear table extension (3) next to the table saw, aligning the mounting holes (1).
2. Insert the bolt (2) through the bracket (5), rear table extension (3) into the mounting hole (1).
3. Place the nut (6) and tighten.
4. Insert the bolt (2) and through the table extension (3) into the other end of the bracket (5) and tighten the nut.
5. Attach the other end of the rear table extension to the table saw using bolts and nuts.
6. Place a straight edge or combination square on the saw table, across the rear table extension (3).
7. Adjust the bolts (2) until the extension is flush with the saw table. Tighten the nuts (6).
8. Place the extension supports (7) to the rear table extension and secure them on the stand (4) with bolts and nuts.

Fig. I

**INSTALLING TABLE SIDE EXTENSION (FIG. J)**

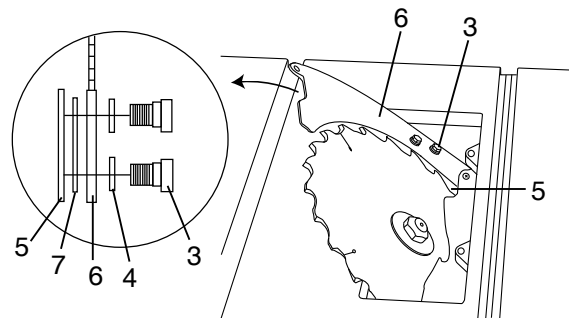
1. Place the left table extension next to the saw table, aligning the mounting holes (1).
2. Insert the bolts (4) through the mounting holes and attach the nuts (2).
3. Place a straight edge or combination square on the saw table, across the table extension.
4. Adjust the nut (2) until the extension is flush with the saw table. Tighten.
5. Place the extension supports (3) to the left table extension and secure them on the stand with bolts and nuts.
6. Repeat these procedures for the right extension table.

Fig. J

**ALIGNING THE RIVING KNIFE (FIG. K)**

1. If the blade and riving knife are not correctly aligned:
 - a. Remove the table insert by removing the screws.
 - b. Remove the blade guard by removing the bolt, flat washer and nut that lock the guard in place.
 - c. Loosen the two bolts (3) from the riving knife bracket (5).
2. Insert the spacers (7) between the riving knife (6) and bracket (5).
3. Retighten the two mounting bolts (3) securely.
4. Replace the blade guard assembly using the bolt, flat washer and nut.
5. Check the riving knife and blade alignment again at both 90° and 45°.
6. Add or remove the spacers until the alignment is correct.
7. Replace the table insert.

Fig. K



NOTE: This tool is accurately adjusted before shipping from the factory. Check the following accuracy and readjust them if necessary in order to obtain the best results in operation.

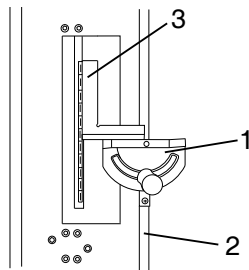
ADJUSTING THE BLADE PARALLEL TO THE MITRE GAUGE GROOVE (FIG. L, M, N)

WARNING

This adjustment must be correct or kickback could result and accurate cuts cannot be made.

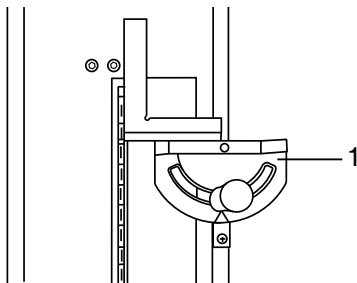
1. Raise the blade to its highest position and set it to 0° bevel angle.
2. Select a tooth on the saw blade which is bent to the right. Mark that tooth with a pencil or permanent marker.
3. Place the mitre gauge (1) in the right hand groove (2) on the table top. Set the mitre gauge to 90° and tighten the gauge handle to lock it in that position.
4. Rotate the blade to bring the marked tooth in the front and about 13 mm above the table top. Place the bar of square (3) flat against the mitre gauge and move the bar toward the saw blade until it just touches the tip of the marked saw blade tooth. (Fig. L)

Fig. L



5. Without disturbing the bar clamped to the mitre gauge (1), move the mitre gauge to the centre of the saw blade. Rotate the blade so the marked tooth is at the rear and about 13 mm above the table top.
6. Slide the mitre gauge rearward until the clamped bar is closest to the tip of the marked tooth. (Fig. M)

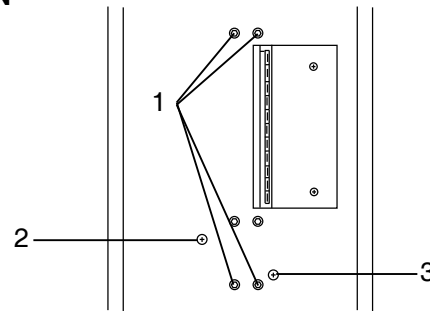
Fig. M



7. If the bar just touches the tooth when the gauge was in the front position, it should touch the tooth in the rear position.
8. If the front and rear clearance are not identical, remove the mitre gauge, loosen four screws (1) and carefully grasp the saw blade. Make necessary correction until

measurements taken at the front and rear are identical. Tighten the four screws (1). (Fig. N)

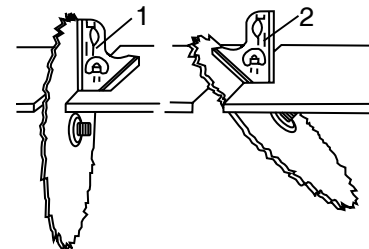
Fig. N



ADJUSTING 90° POSITIVE STOP OF BLADE

1. Raise the saw blade to its maximum height.
2. Loosen the saw blade tilt lock handle and move the saw blade tilting mechanism to the left until it hits against the stopper. Then tighten the saw blade tilt lock handle.
3. Use a square (1) to check the saw blade is at 90°. (Fig. O)
4. If the saw blade is not at 90°, loosen the saw blade tilt lock handle. Adjust the screws (2-Fig. N) a few turns and move the saw blade tilting mechanism until the blade is at 90° to the table.
5. Tighten the saw blade tilt lock handle after adjustment.
6. Loosen the screw of the tilt pointer and set the pointer to 0°.

Fig. O



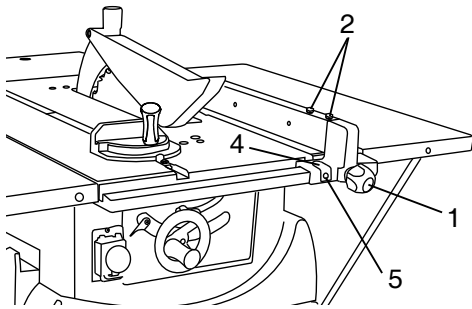
ADJUSTING 45° POSITIVE STOP OF BLADE

1. Raise the saw blade to its maximum height.
2. Loosen the saw blade tilt lock handle and move the saw blade tilting mechanism to the right until it hits against the stopper. Then tighten the saw blade tilt lock handle.
3. Use a 45° gauge (2) to check the saw blade is at 45°. (Fig. O)
4. If the saw blade is not at 45°, loosen the saw blade tilt lock handle. Adjust the screws (3-Fig. N) a few turns and move the saw blade tilting mechanism until the blade is at 45° to the table.
5. Tighten the saw blade tilt lock handle after adjustment.
6. Loosen the screw of the tilt pointer and set the pointer to 45°.

ADJUSTING RIP FENCE (FIG. P)**⚠ WARNING**

This adjustment must be correct or kickback could result and accurate cuts cannot be made.

1. Loosen the clamp handle (1).
2. Position the rip fence at one edge of the mitre gauge groove.
3. Lock the rip fence to the table using the clamp handle. The edge of the rip fence should then line up parallel with the mitre gauge groove.
4. If the edge of the rip fence is not parallel with the mitre gauge groove, loosen the bolts (2) on the fence, adjust the fence until it is parallel with the mitre gauge groove, then tighten the bolts (2).

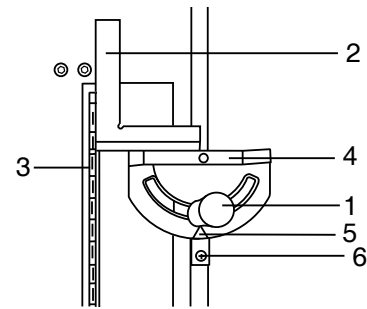
Fig. P**ADJUSTING THE POINTER OF RIP FENCE (FIG. P)**

NOTE: The pointer will need to be readjusted whenever a different thickness saw blade is installed.

1. To adjust pointer 0 setting, loosen the clamp handle (1) and move the rip fence to bring it into tight contact with the side of the saw blade.
2. Make sure that the pointer (4) points to 0 on the scale in the front of table.
3. If the pointer does not point to 0 on the scale, tighten the clamp handle, loosen the pointer screw (5) and adjust the pointer to the 0 position and retighten the pointer screw.

ADJUSTING THE MITRE GAUGE (FIG. Q)

1. To adjust pointer 90° setting, loosen the clamp handle (1) and place a square (2) against both the saw blade (3) and mitre gauge (4). The pointer (5) should indicate 90° on the mitre gauge.
2. If the pointer does not point to 90° on the mitre gauge, tighten the clamp handle, loosen the pointer screw (6) on the bar, adjust the pointer to the 90° position and retighten the pointer screw.

Fig. Q

OPERATION

SWITCHES OF THE TABLE SAW (FIG. R)

The main switch (3-Fig. R), No Volt Release (NVR) switch, is on the front of saw base. Press “I” to turn on the power; press “O” to turn off the power.

WARNING

Never connect the plug to the power source outlet until all installations and adjustments are completed and you have read and understood the safety and operational instructions.

RAISING AND LOWERING THE SAW BLADE (FIG. R)

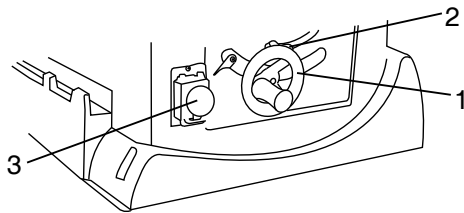
WARNING

Never operate while saw blade rotating.

1. To raise the saw blade, rotate the handwheel (1) anticlockwise.
2. To lower the saw blade, rotate the handwheel (1) clockwise.

NOTE: The saw blade height is recommended about 3.2 mm above the top of the workpiece.

Fig. R



TILTING THE SAW BLADE (FIG. R)

WARNING

Always lock the saw blade tilt lock handle during operations.

Loosen the saw blade tilt lock handle (2), move the hand wheel until the saw blade is at the desired angle and tighten the saw blade tilt lock handle.

MOVING THE RIP FENCE

NOTE:

1. The rip fence can be used on either side of the saw blade.
2. The pointer on the rip fence indicates the distance between the saw blade and rip fence.
3. To move the rip fence, loosen the clamp handle while pressing the fence bracket against the table surface and set the desired distance from the saw blade, retighten the clamp handle.

OPERATING THE MITRE GAUGE

NOTE:

1. The mitre gauge can be used on either side of the saw blade.
2. Because the mitre gauge groove is a T-type slot, to install the mitre gauge, insert the gauge bar from the end of the groove.
3. To set the mitre cut angle, loosen the clamp handle, turn the mitre gauge to the desired angle, retighten the clamp handle.

RIPPING (FIG. S)

NOTE:

1. Generally ripping is cutting with the grain.
2. Do not perform ripping “free hand”. Use the rip fence for ripping and remove the mitre gauge from the table.

WARNING

1. **Before ripping, confirm the following items:**
 - a. **Rip fence is securely fixed and parallel to the saw blade.**
 - b. **Riving knife is properly aligned with the saw blade.**
 - c. **The workpiece must have a straight edge against the rip fence and must not be warped, twisted or bowed.**
2. **Keep both hands away from the saw blade and away from the path of the saw blade.**

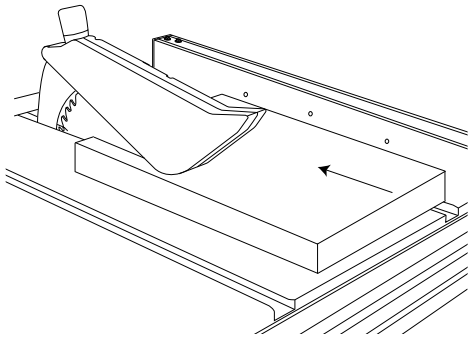
1. Adjust the saw blade height so it is about 3.2 mm above the top of the workpiece.
2. Hold the workpiece flat on the table and against the rip fence. Keep the workpiece about 25 mm away from the saw blade.
3. Turn on the switch and allow the saw blade to come up to speed.
4. Keep the workpiece against the table and rip fence, slowly feed the workpiece rearward all the way through the saw blade. Continuously push the workpiece until it passes the blade guard and clears the rear of the table.
5. When ripping long boards or large panels, always use an adequate support.
6. When the width of rip is more than 150 mm, feed the workpiece with one or both hands continuously until it is beyond the saw blade and riving knife

⚠ WARNING

Never operate while saw blade rotating.

7. When the width of rip 50 mm to 150 mm wide, use the supplied push stick to feed the workpiece.
8. When perform bevel ripping, only work with the work piece and rip fence on the right side of the saw blade.

Fig. S



CROSSCUTTING (FIG. T)

NOTE:

1. Generally cross cutting is cutting across the grain.
2. Do not perform cross cutting "free hand". Use the mitre gauge for cross cutting and remove the rip fence from the table.

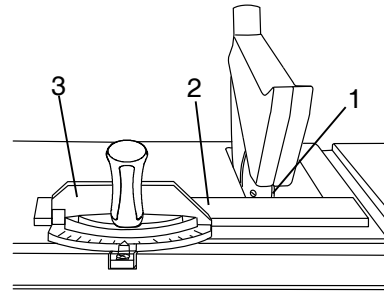
⚠ WARNING

1. **Before cross cutting, confirm the following items:**
 - a. **Riving knife is properly aligned with the saw blade.**
 - b. **The workpiece must have a straight edge against the mitre gauge and must not be warped, twisted or bowed.**
2. **Keep both hands away from the saw blade and away from the path of the saw blade.**

1. Adjust the saw blade height so it is about 3.2 mm above the top of the workpiece.
2. Hold the workpiece flat on the table and against the mitre gauge. Keep the workpiece about 25 mm away from the saw blade.
3. Turn on the switch and allow the saw blade (1) to come up to full speed.
4. Keep the workpiece (2) against the table and mitre gauge (3), slowly feed the workpiece rearward all the way through the saw blade. Continuously push the workpiece until it is clear of the blade guard and it falls off the rear of the table.

5. When performing bevel cross cutting, only work with the workpiece and mitre gauge on the right side of the saw blade.

Fig. T



BEVEL CROSSCUTTING (FIG. U)

This cutting operation is the same as crosscutting except the blade is at bevel angle other than 0°.

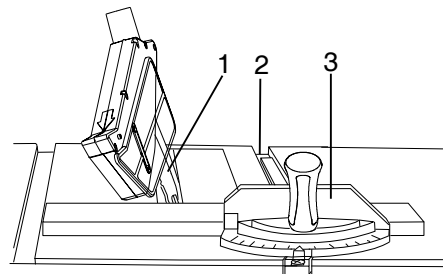
⚠ WARNING

Always work to the right side of the blade during this type of cut. The mitre gauge (3) must be in the right side groove (2) because the bevel angle may cause the blade guard to interfere with the cut if used on the left side groove.

1. Adjust the blade (1) to the desired angle, and tighten the blade bevel lock knob.
2. Tighten mitre lock handle at 90°.
3. Hold workpiece firmly against the face of the mitre gauge (3) throughout the cutting operation.

NOTE: When tilting the blade to 45°, the mitre gauge handle will hit the blade guard.

Fig. U



COMPOUND MITRE CROSSCUTTING (FIG. V)

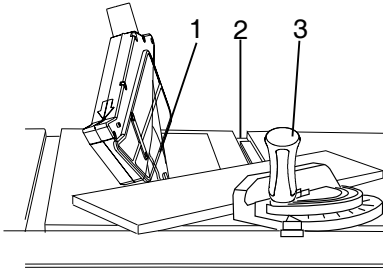
This sawing operation is combining a mitre angle with a bevel angle.

 **WARNING**

Always work to the right side of the blade during this type of cut. The mitre gauge (3) must be in the right side groove because the bevel angle may cause the blade guard to interfere with the cut if used on the left side groove. When tilting the workpiece to 45° and push it toward the blade, the blade guard may hit the blade. To avoid injury, stop the work at that time.

1. Set the mitre gauge (3) to the desired angle.
2. Place the mitre gauge (3) in the right side groove (2) of the table.
3. Set the blade (1) bevel to the desired bevel angle and tighten the blade bevel lock knob.
4. Hold workpiece firmly against the face of the mitre gauge (3) throughout the cutting operation.

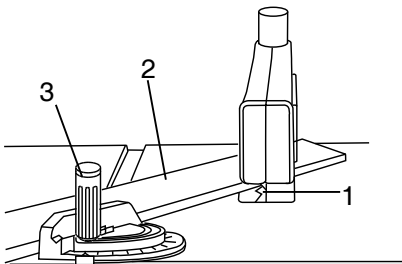
Fig. V

**MITRE CUTS (FIG. W)**

This sawing operation is the same as crosscutting except the mitre gauge is locked at an angle other than 90°.

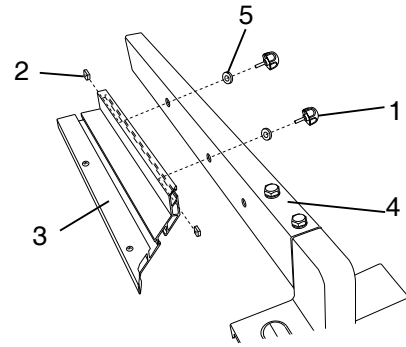
1. Set the blade (1) to 0° bevel angle and tighten the blade bevel lock knob.
2. Set the mitre gauge (3) at the desired mitre angle and lock in position by tightening the mitre gauge locking handle.
3. Hold the workpiece (2) firmly against the face of the mitre gauge throughout the cutting operation.

Fig. W

**USING AUXILIARY FENCE ON THE RIP FENCE (FIG. X)**

A auxiliary fence should be used when ripping material such as thin paneling to prevent the material from catching between the bottom of the fence and the table. When performing some special cutting operations, you can add a auxiliary fence (3) to the either side of the rip fence (4).

Fig. X



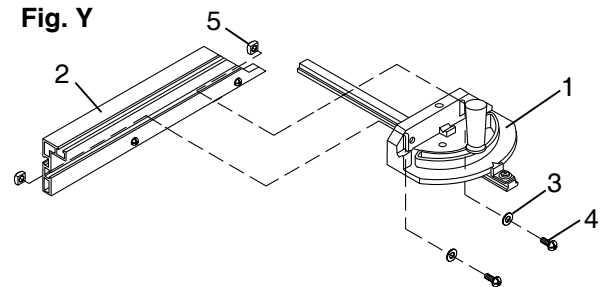
1. Place the square nuts (2) to the slot of the auxiliary fence (3).
2. Attach the auxiliary fence to the rip fence with the clamp handles (1) through the washers (5) and holes in the rip fence.
3. Tighten the clamp handles.

USING AUXILIARY FENCE ON THE MITRE GAUGE (FIG. Y)

When performing some special cutting operations, you can add a auxiliary fence (2) to the mitre gauge (1).

1. Place the square nuts (5) to the slot of the auxiliary fence (2).
2. Attach the auxiliary fence to the mitre gauge with the washers (3) and screws (4).
3. Tighten the screws.

Fig. Y

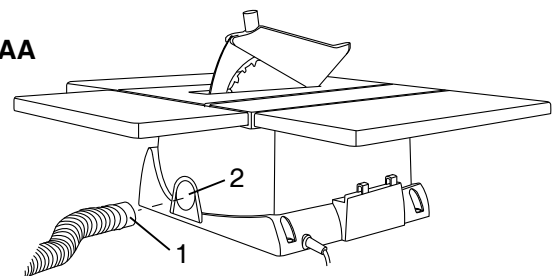
**USING THE DUST PORT (FIG. AA)**

 **WARNING**

To prevent fire hazard, clean and remove sawdust from under the saw frequently.

To prevent sawdust build up inside the saw housing, attach a vacuum hose (1) to the dust port (2) at the rear of the table saw. **DO NOT** operate the saw with the hose in place unless the vacuum is turned on.

Fig. AA



MAINTENANCE

MAINTAINING YOUR TABLE SAW

WARNING

To avoid injury from accidental starting, always turn the switch off ("0") and remove the power plug from the power source before changing the blades.

GENERAL MAINTENANCE

Occasionally use a cloth to wipe off chips and dust from the machine. And oil the rotary parts once a month to extend the tool life. Do not oil the motor.

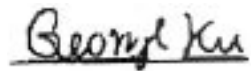
BRUSH INSPECTION

Check the motor brushes after the first 50 hours of use for a new machine or after a new set of brushes have been installed. After the first check, examine them every 10 hours of use.

When the carbon is worn to 6 mm in length or if the spring or shunt wire is burned or damaged, replace both brushes. If the brushes are found serviceable after removing, reinstall them.

EC-Declaration of Conformity

Rexon Industrial Corp., Ltd. declares this Table Saw, Model C10RE, is in conformity with the Low Voltage Directive 73/23/EEC and the Amendment Directive 93/68/EEC and the Machinery Directive Annex 1 of 98/37/EC and EMC Directive 89/336/EEC. The conformity is certified by TÜV Rheinland Product Safety GmbH, Am Grauen Stein, D-51105 Köln, Germany.



George Ku, Marketing manager

Date: 24, August, 2006

Rexon Industrial Corp., Ltd.,

261 Jen Hwa Road,

Tali, Taichung 412

Taiwan, R.O.C.

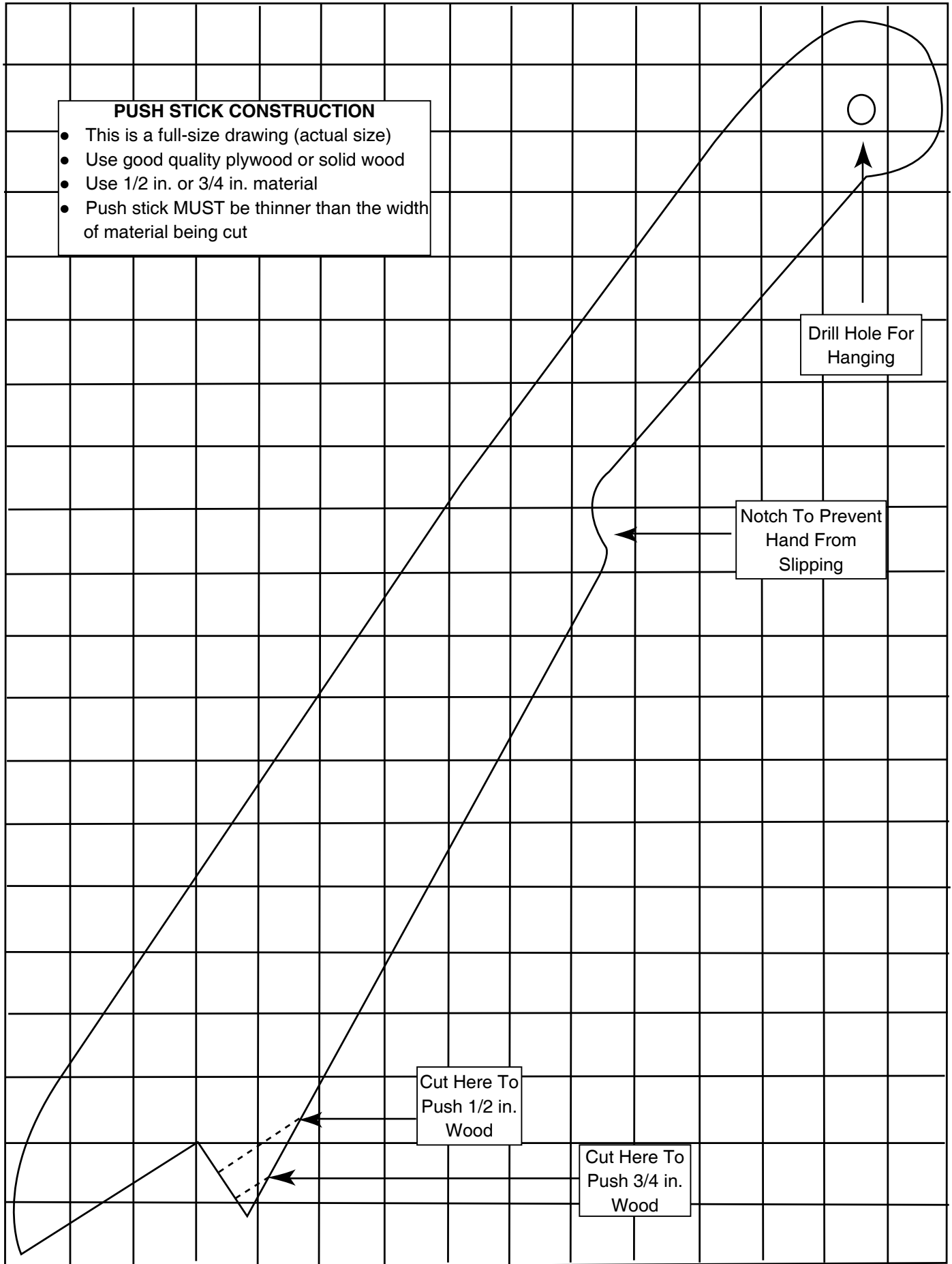
TROUBLESHOOTING GUIDE

WARNING

To avoid injury from an accidental start, turn the switch OFF and always remove the plug from the power source before making any adjustments.

- Consult Hitachi Authorized Service Centre if for any reason the motor will not run.

SYMPTOM	POSSIBLE CAUSES	CORRECTIVE ACTION
Saw will not start.	<ol style="list-style-type: none"> 1. Saw not plugged in. 2. Fuse blown or circuit breaker tripped. 3. Cord damaged. 	<ol style="list-style-type: none"> 1. Plug in saw. 2. Replace fuse or reset circuit breaker. 3. Have cord replaced by Hitachi Authorized Service Centre.
Does not make accurate 45° and 90° rip cuts.	<ol style="list-style-type: none"> 1. Positive stop not adjusted correctly. 2. Tilt angle pointer not set accurately. 	<ol style="list-style-type: none"> 1. Check blade with square and adjust positive stop. 2. Check blade with square and adjust to zero.
Material pinched blade when ripping.	<ol style="list-style-type: none"> 1. Rip fence not aligned with blade. 2. Warped wood, edge against fence is not straight. 	<ol style="list-style-type: none"> 1. Check and adjust rip fence. 2. Select another piece of wood.
Material binds on splitter.	<ol style="list-style-type: none"> 1. Splitter not aligned correctly with blade. 	<ol style="list-style-type: none"> 1. Check and align splitter with blade.
Saw makes unsatisfactory cuts.	<ol style="list-style-type: none"> 1. Dull blade. 2. Blade mounted backwards. 3. Gum or pitch on blade. 4. Incorrect blade for work being done. 5. Gum or pitch on blade causing erratic feed. 	<ol style="list-style-type: none"> 1. Replace blade. 2. Turn the blade around. 3. Remove blade and clean with turpentine and coarse steel wool. 4. Change the blade. 5. Clean table with turpentine and steel wool.
Material kicked back from blade.	<ol style="list-style-type: none"> 1. Rip fence out of adjustment. 2. Splitter not aligned with blade. 3. Feeding stock without rip fence. 4. Splitter not in place. 5. Dull blade. 6. The operator letting go of material before it is past saw blade. 7. Mitre angle lock knob is not tight. 	<ol style="list-style-type: none"> 1. Align rip fence with mitre gauge slot. 2. Align splitter with blade. 3. Install and use rip fence. 4. Install and use splitter. (with guard) 5. Replace blade. 6. Push material all the way past saw blade before releasing work. 7. Tighten knob.
Blade does not raise or tilt freely.	<ol style="list-style-type: none"> 1. Sawdust and dirt in raising/tilting mechanisms. 	<ol style="list-style-type: none"> 1. Brush or blow out loose dust and dirt.
Blade does not come up to speed.	<ol style="list-style-type: none"> 1. Extension cord too light or too long. 2. Low house voltage. 	<ol style="list-style-type: none"> 1. Replace with adequate size cord. 2. Contact your electric company.
Machine vibrates excessively.	<ol style="list-style-type: none"> 1. Saw not mounted securely to workbench. 2. Bench on uneven floor. 3. Damaged saw blade. 	<ol style="list-style-type: none"> 1. Tighten all mounting hardware. 2. Reposition on flat level surface. Fasten to floor if necessary. 3. Replace blade.
Does not make accurate 45° and 90° crosscuts.	<ol style="list-style-type: none"> 1. Mitre gauge out of adjustment. 	<ol style="list-style-type: none"> 1. Adjust mitre gauge.



⚠ ВНИМАНИЕ

Некоторые виды пыли, образующиеся при шлифовании, пилении, полировке, сверлении и других строительных работах, содержат химические вещества, которые, как считается в штате Калифорния, вызывают раковые заболевания, врожденные пороки и наносят другой вред репродуктивной системе. Среди этих химических веществ:

- Краски на основе свинца
- Кристаллический кремнезем от кирпича, цемента и других кладочных материалов
- Мышьяк и хром от химически обработанной древесины

Степень риска для здоровья, связанного с этими веществами, зависит от частоты выполнения данного вида работ. Чтобы снизить контакт с этими веществами, следует работать в хорошо вентилируемом помещении с использованием одобренных средств безопасности, таких как противопылевые респираторы, предназначенные специально для задержки микроскопических частиц.

ТЕХНИЧЕСКАЯ ХАРАКТЕРИСТИКИ СТАНКА

ЭЛЕКТРОДВИГАТЕЛЬ

Тип..... Универсальный
 Сила тока..... 6.5А
 Напряжение..... 230 В / 50 Гц
 Мощность..... 1600 Вт (S6, 25%, 10 мин.)
 Холостой ход..... 4800 мин¹.
 Защита от перегрузки..... ЕСТЬ

ПИЛА

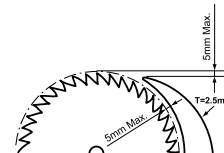
Размер стола с удлинением..... 970mm x 890mm
 Удлинение стола..... слева, справа, сзади
 Ширина реза с 130 мм справа x 185 мм слева
 Диаметр диска..... 250mm
 Масштабная линейка..... ЕСТЬ
 Направляющая планка..... ЕСТЬ
 Угловой упор..... ЕСТЬ
 Макс. глубина пропила под углом 90°.. 73mm
 Макс. глубина пропила под углом 45°.. 63mm
 Масса нетто..... 28кг

ОБОЗНАЧЕНИЯ

В..... Вольт	А..... Ампер
Гц..... Герц	Вт..... Ватт
мин..... минут	~..... переменный ток
ч..... часов	▣..... Конструкция класса II
і..... включен	О..... выключен
мин ¹ оборотов в минуту	



Носите защитные очки
 Носите защиту слуха
 Носите респиратор



ЗАЩИТА ОКРУЖАЮЩЕЙ СРЕДЫ



Отправляйте отходы материалов на вторичную переработку, не выбрасывайте их с обычным мусором. Все инструменты, трубки, материалы упаковки должны быть отсортированы и переданы в ближайший центр вторичной переработки для их безопасной утилизации.

⚠ ВНИМАНИЕ

Высокий уровень шума может негативно сказаться на здоровье. Когда уровень шума превышает 85 дБ, обязательно носите защиту слуха.

⚠ ВНИМАНИЕ

Чтобы избежать поражения электрически током или порчи инструмента, используйте надлежащие средства защиты электрической цепи.

Данный станок поставляется производителем с проводкой, рассчитанной на работу от сети 230 В. Он должен быть оснащен предохранителем с задержкой на срабатывание или автоматическим выключателем. Чтобы избежать поражения током и пожара при износе, разрыве или любом другом виде повреждения провода питания, следует немедленно его заменить. Очень важно полностью прочитать и понять технику безопасности, прежде чем начинать работу со станком. Нарушение техники безопасности может привести к серьезным травмам или порче станка.

⚠ ВНИМАНИЕ

В случае плохого состояния электрической СЕТИ, возможны кратковременные скачки напряжения при включении СТАНКА. Это может оказать влияние на другое оборудование (например, мигание лампы). Если полное сопротивление электрической СЕТИ $Z_{max} < 0,3$ Ом, подобный эффект не наблюдается. (При необходимости обратитесь в местную энергоснабжающую организацию).

ТЕХНИКА БЕЗОПАСНОСТИ МЕХАНИЗМА

⚠ ВНИМАНИЕ

Перед использованием станка необходимо прочесть и полностью понять правила техники безопасности. Нарушение техники безопасности может привести к серьезным травмам или порче станка.

Техника безопасности складывается из здравого смысла, внимательности и понимания того, как работает инструмент. Во избежание совершения ошибок, не подключайте станок к сети, без прочтения и понимания следующих правил:

1. **ПРОЧИТЕ** и изучите всю данную инструкцию. **ЗНАЙТЕ** область применения станка, ограничения и потенциальные опасности.
2. **⚠ ВНИМАНИЕ**
Обращайте внимание на этот символ, обозначающий важную информацию по безопасности. Он предупреждает: **БУДЬТЕ ВНИМАТЕЛЬНЫ! ВОПРОС ВАШЕЙ БЕЗОПАСНОСТИ!**
3. **НЕ ИСПОЛЬЗУЙТЕ СТАНОК БЕЗ ЗАЩИТНОГО КОЖУХА ПРИ СКВОЗНОМ ПРОПИЛИВАНИИ.**
4. **НЕ ИСПОЛЬЗУЙТЕ СТАНОК В ОПАСНОЙ СРЕДЕ**, например во влажных, мокрых помещениях и под дождем. Обеспечьте хорошее освещение рабочей зоны.
5. **НЕ** используйте станок вблизи легковоспламеняющихся жидкостей или газов.
6. **СОДЕРЖИТЕ РАБОЧУЮ ЗОНУ В ЧИСТОТЕ.** Загроможденное пространство и лишние верстаки повышают вероятность несчастных случаев.
7. **НЕ ДОПУСКАЙТЕ ДЕТЕЙ** к станку. Все, кто не работает на станке, должны находиться на безопасном расстоянии от него.
8. **НЕ ПРИЛАГАЙТЕ ИЗЛИШНЮЮ СИЛУ.** Работа выполняется лучше и безопасней на установленной производителем скорости.
9. **ПРАВИЛЬНО ИСПОЛЬЗУЙТЕ ИНСТРУМЕНТ.** Не пытайтесь при помощи инструментов или приспособлений выполнить операцию, для которой они не предназначены.
10. **НОСИТЕ НАДЛЕЖАЩУЮ ОДЕЖДУ. НЕ** носите свободную одежду, перчатки, галстуки, кольца, браслеты и другие украшения, которые могут зацепиться за движущиеся части станка. Рекомендуется носить нескользящую обувь. Длинные волосы следует собрать под специальный убор.
11. **НОСИТЕ ЛИЦЕВУЮ МАСКУ ИЛИ РЕСПИРАТОР.** При пилении, резке и полировке образуется пыль.
12. **ОТКЛЮЧАЙТЕ ИНСТРУМЕНТ** перед обслуживанием станка и заменой приспособлений, таких как диски, резцы и т.п.
13. **СНИЖАЙТЕ РИСК СЛУЧАЙНОГО ЗАПУСКА.** Убедитесь, что переключатель находится в выключенном положении (OFF) перед подключением станка к сети.
14. **ПОЛЬЗУЙТЕСЬ ТОЛЬКО РЕКОМЕНДОВАННЫМИ АКСЕССУАРАМИ.** Список рекомендованных аксессуаров ищите в инструкции по эксплуатации. Использование иных аксессуаров может привести к травмам или порче оборудования.
15. **УБИРАЙТЕ ГАЕЧНЫЕ КЛЮЧИ СО СТАНКА.** Выработайте привычку проверять станок на отсутствие на нем гаечных ключей перед включением.
16. **НЕ ОСТАВЛЯЙТЕ СТАНОК РАБОТАТЬ БЕЗ ПРИСМОТРА. ВЫКЛЮЧАЙТЕ ЕГО.** Не отходите от станка, пока диск полностью не остановится.
17. **НЕ ВСТАВАЙТЕ НА СТАНОК.** Если станок перевернется или произойдет контакт с режущим инструментом, это повлечет серьезные травмы.
18. **НЕ ТЯНИТЕСЬ К СТАНКУ.** Всегда крепко держитесь на ногах и сохраняйте равновесие.
19. **ОСТОРОЖНО ОБРАЩАЙТЕСЬ С ИНСТРУМЕНТОМ.** Для эффективной и безопасной работы всегда держите инструмент чистым и хорошо заточенным. Следуйте инструкции при замене и смазке компонентов.
20. **ПРОВЕРЯЙТЕ НАЛИЧИЕ НЕИСПРАВНЫХ И ПЛОХО ЗАКРЕПЛЕННЫХ ДЕТАЛЕЙ.** Проверяйте движущиеся части на выравнивание и деформации; все детали на надежность крепления и другие факторы, которые могут повлиять на безопасность работы. Защитное устройство или любые другие детали, которые не закреплены или деформированы, должны быть закреплены, отремонтированы или заменены.
21. **ЗАЩИТИТЕ РАБОЧУЮ ЗОНУ ОТ ДЕТЕЙ** при помощи навесных замков, главных выключателей или вынимаемая пусковой ключ.
22. **НЕ** пользуйтесь станком под действием наркотиков, алкоголя или лекарств, которые могут сказаться на вашей способности к работе со станком.
23. **ПОЛЬЗУЙТЕСЬ СИСТЕМОЙ СБОРА ПЫЛИ**, где это возможно. Пыль, образующаяся при работе, может содержать небезопасные для здоровья вещества, также она может стать причиной пожара. Всегда используйте станок в хорошо вентилируемых помещениях с эффективной системой сбора пыли.
24. **ВСЕГДА НОСИТЕ ЗАЩИТНЫЕ ОЧКИ.** Любой механический инструмент может выбрасывать осколки, которые могут нанести непоправимый вред глазам. **ВСЕГДА** носите закрытые защитные очки (а не обычные очки), которые соответствуют требованиям стандарта ANSI по безопасности Z87.1. Очки для повседневного ношения – открытые. Они **НЕ** являются средством защиты.
ПРИМЕЧАНИЕ: Защитные очки, не соответствующие стандарту ANSI Z87.1 могут разбиться и нанести травмы.
25. **НАПРАВЛЕНИЕ ПОДАЧИ.** Подавайте заготовку на диск или резец только против направления вращения диска или резца.

ТЕХНИКА БЕЗОПАСНОСТИ СТАНКА

1. **ВСЕГДА ИСПОЛЬЗУЙТЕ ЗАЩИТУ ДИСКА**, расклиниватель и противоударное устройство, когда их использование возможно, в том числе при сквозном пропиливании. При сквозном пропиливании диск полностью проходит через заготовку при продольной или поперечной резке.
2. **ВСЕГДА КРЕПКО ПРИЖИМАЙТЕ ЗАГОТОВКУ** к угловому упору или направляющей планке.
3. **ВСЕГДА ПОЛЬЗУЙТЕСЬ** толкателем, особенно при резке тонкой заготовки. Подробней об этом читайте в соответствующем разделе данного руководства. На стр. 20 приведен чертеж для изготовления собственного толкателя.
4. **НИКОГДА НЕ ВЫПОЛНЯЙТЕ РАБОТУ ГОЛЫМИ РУКАМИ** без использования углового упора или направляющей планки для ведения заготовки по столу.
ВНИМАНИЕ: РЕЗКА ГОЛЫМИ РУКАМИ – НАИБОЛЕЕ ЧАСТАЯ ПРИЧИНА ОТДАЧИ И ПОСЛЕДУЮЩЕЙ АМПУТАЦИИ ПАЛЬЦЕВ И КИСТЕЙ РУК.
5. **НЕ СТОЙТЕ** и не располагайте любые части своего тела прямо по направлению резки диска. Не кладите руки по направлению резки диска.
6. **НЕ ПЕРЕГИБАЙТЕСЬ** и не наклоняйтесь над режущим инструментом ни при каких обстоятельствах.
7. **СНИМАЙТЕ** направляющую планку при поперечной резке.
8. **НЕ ИСПОЛЬЗУЙТЕ** инструмент для изготовления фигурного профиля с данным станком.
9. **ПОДАВАЙТЕ ЗАГОТОВКУ** только против направления вращения диска.
10. **НИКОГДА** не используйте направляющую планку при поперечной резке.
11. **НИКОГДА НЕ ПЫТАЙТЕСЬ ВЫСВОБОДИТЬ ЗАСТРЯВШИЙ ДИСК**, не выключив станок (OFF). Немедленно выключите станок во избежание поломки электродвигателя.
12. **ОБЕСПЕЧЬТЕ НАДЕЖНУЮ ПОДДЕРЖКУ** задних и боковых частей стола при резке длинных или широких заготовок.
13. **ИЗБЕГАЙТЕ ОТДАЧИ**, поддерживая диск заточенным, направляющую планку параллельной диску и используя установленные должным образом расклиниватель и противоударные устройства. Не отпускайте заготовку до самого конца прохода диска. Не режьте скрученные, искривленные заготовки, а также заготовки, не имеющие ровной грани для упора о направляющую планку.
14. **ИЗБЕГАЙТЕ НЕУДОБНЫХ ПОЗ** и положений рук, при которых неожиданное проскальзывание может отбросить руку на диск.
15. **НЕ ПОЛЬЗУЙТЕСЬ РАСТВОРИТЕЛЯМИ** при очистке пластиковых деталей. Они могут впитаться или иным образом повредить материал. Для очистки пластиковых деталей пользуйтесь только чистой влажной тряпкой.
16. **ЗАКРЕПИТЕ** пилу на верстаке или подставке перед началом работы. См. раздел **СБОРКА И НАСТРОЙКА** на стр. 28.
17. **НЕ РЕЖЬТЕ МЕТАЛЛ** и материалы, дающие опасную для здоровья пыль.
18. **ВСЕГДА РАБОТАЙТЕ В ХОРОШО ВЕНТИЛИРУЕМОМ ПОМЕЩЕНИИ**. Часто убирайте опилки. Очищайте от опилок внутренние части пилы во избежание возгорания. Подсоедините насос к отверстию для стружки, чтобы повысить эффективность уборки стружки.
19. **НЕ ОСТАВЛЯЙТЕ РАБОТАЮЩИЙ СТАНОК БЕЗ ПРИСМОТРА**. Не отходите от станка, пока диск полностью не остановится.
20. Для правильного начала работы следуйте инструкциям в разделе **СБОРКА И НАСТРОЙКА** на стр. 28. Если не обеспечить отвод стружки, она будет скапливаться у электродвигателя, что может привести к возгоранию и порче электродвигателя.

ТРЕБОВАНИЯ К ЭЛЕКТРИКЕ И ТЕХНИКА БЕЗОПАСНОСТИ

ПОДКЛЮЧЕНИЕ К ИСТОЧНИКУ ПИТАНИЯ

Убедитесь, что источник питания и розетка соответствуют станку. Обратите внимание на информационную табличку на электродвигателе или на корпусе станка. Все изменения должны вноситься только квалифицированным электриком.

ВНИМАНИЕ

Станок должен быть заземлен.

При отсутствии надлежащего заземления станок может стать причиной поражения электрическим током. Убедитесь, что розетка источника питания заземлена. Если Вы сомневаетесь в этом, следует вызвать квалифицированного электрика для проверки.

ВНИМАНИЕ

Избегайте контакта с выводами вилки при включении и выключении вилки из розетки. Контакт с выводом приведет к поражению электрическим током.

ИСПОЛЬЗОВАНИЕ УДЛИНИТЕЛЯ

При использовании удлинителя наблюдается некоторая потеря мощности. Чтобы свести потери к минимуму и предотвратить перегрев и отключение двигателя, посоветуйтесь с квалифицированным электриком и определите минимальный размер провода удлинителя.

Удлинитель должен быть снабжен вилкой с заземлением на одном конце, подходящем к розетке, и розетку с заземлением на другом, подходящем к вилке станка.

АКСЕССУАРЫ И ДОПОЛНИТЕЛЬНОЕ ОБОРУДОВАНИЕ

РЕКОМЕНДУЕМЫЕ АКСЕССУАРЫ

⚠ ВНИМАНИЕ

Для приобретения необходимых для данного станка аксессуаров обратитесь в хозяйственный магазин или к каталогу автоматического и ручного инструмента.

⚠ ВНИМАНИЕ

Чтобы избежать травм:

- Не используйте инструмент для изготовления фигурного профиля с данным станком
- Не вносите изменения в конструкцию станка и не пользуйтесь аксессуарами, не рекомендованными продавцом.

ИНСТРУМЕНТЫ, НЕОБХОДИМЫЕ ДЛЯ СБОРКИ

Входят в комплект

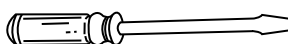


Ключ



Ключ

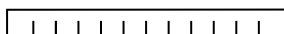
Не входят в комплект



Средняя отвертка



Крестообразная отвертка №2



Линейка



Разводной ключ



Комбинированный угольник

СОДЕРЖИМОЕ КОРОБКИ

ОСВОБОДИТЕ ВСЕ ДЕТАЛИ ОТ УПАКОВОЧНОГО МАТЕРИАЛА.

Сверьте содержимое с иллюстрациями на следующей странице и с «Таблицей отдельных деталей», чтобы убедиться, что все детали присутствуют, прежде чем избавляться от упаковки.

ТАБЛИЦА ОТДЕЛЬНЫХ ДЕТАЛЕЙ

ДЕТ.	Описание	Кол-во
A	Узел настольной дисковой пилы	1
B	Узел предохранительного клина	1
C	Пакет с креплениями клина	1
D	Направляющая планка	1
E	Диск	1
F	Ключ для диска	2
G	Толкатель	1
H	Угловой упор	1
I	Крючок толкателя	1
J	Рулевое колесо	1
K	Заднее удлинение стола	1
L	Скобы для заднего удлинения стола	2
M	Суппорты для заднего удлинения стола	2
N	Крепеж для заднего удлинения стола	1
O	Дополнительная планка	1
P	Крепеж для дополнительной планки	1
Q	Боковое удлинение стола	2
R	Суппорт левого удлинения стола	2

S	Суппорт правого удлинения стола	2
T	Крепеж для бокового удлинения стола	1
U	Болт	4
V	Крышка	1

СТОЙКА:

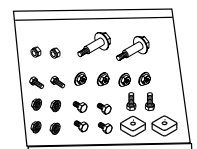
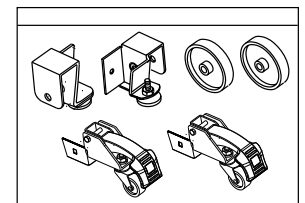
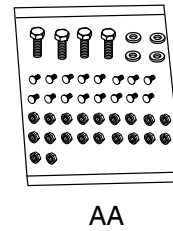
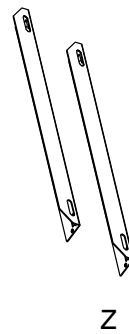
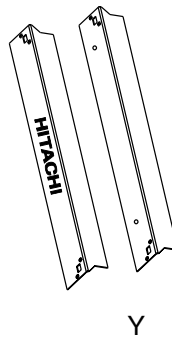
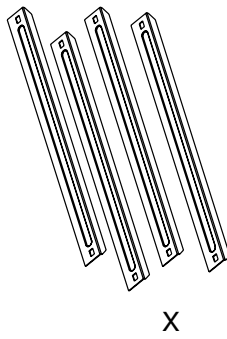
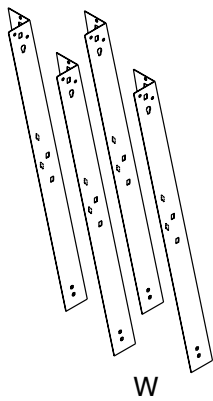
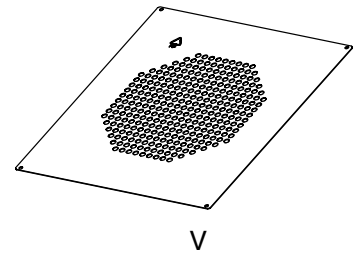
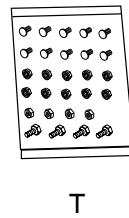
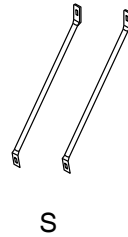
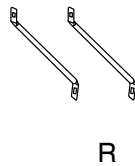
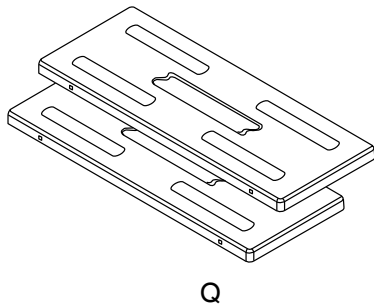
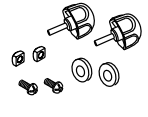
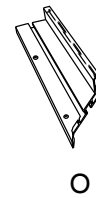
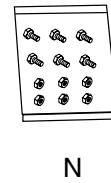
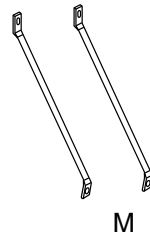
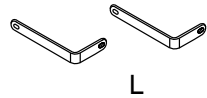
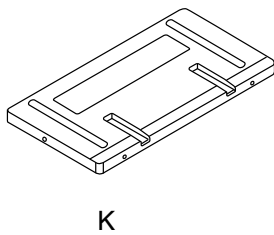
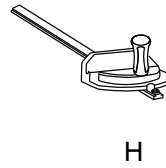
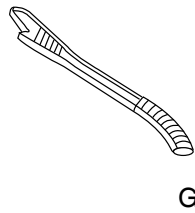
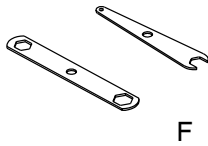
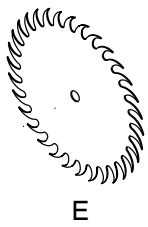
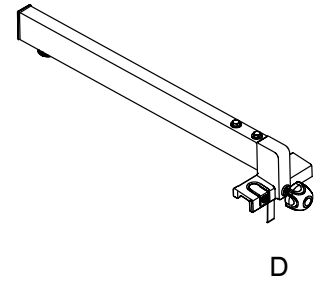
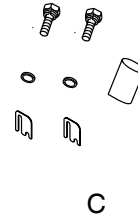
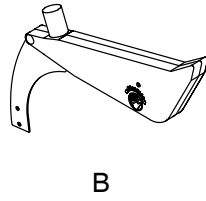
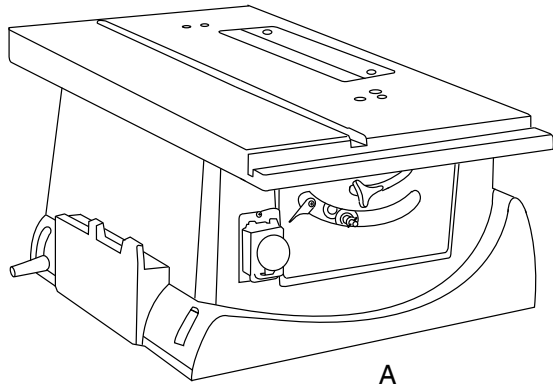
W	Ножка	4
X	Нижняя поддерживающая скоба	4
Y	Длинный верхний суппорт	2
Z	Короткий верхний суппорт	2
AA	Крепеж для стойки	1
BB	Узел колеса крепеж для	1
CC	Крепеж для колеса	1

⚠ ВНИМАНИЕ

Если какая-либо из деталей отсутствует или повреждена, не пытайтесь собирать станок, включать провод питания в розетку или переводить переключатель в положение Вкл. (ON), до тех пор, пока не будет получена и установлена исправная деталь.

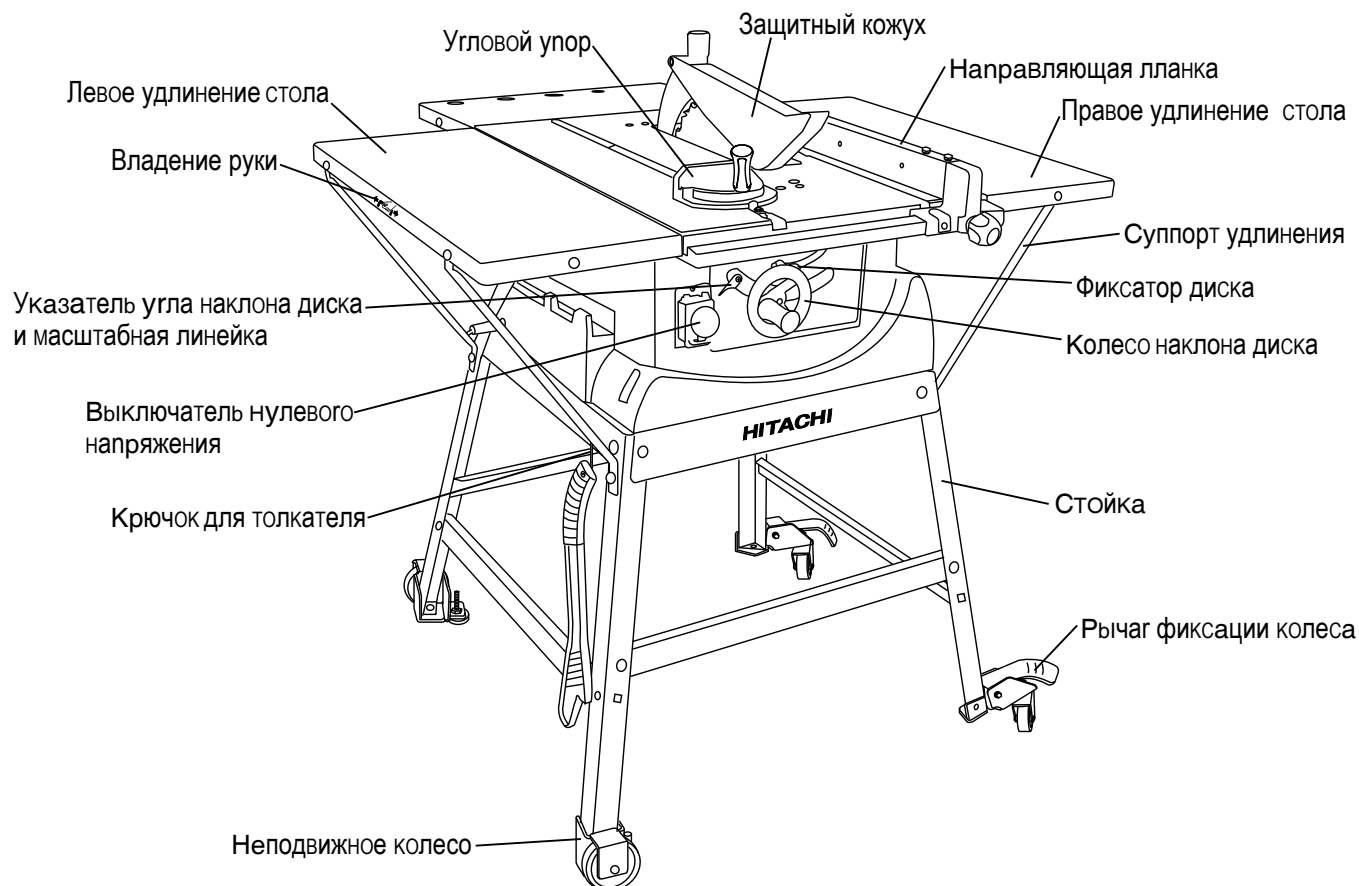
ПРИМЕЧАНИЕ: Для облегчения сборки, держите содержимое коробки вместе. Нанесите немного восковой пасты для полировки автомобилей на стол станка. Тщательно протрите все детали чистой сухой тряпкой. Это снизит трение при проходе заготовок.

РАСПАКОВКА НАСТОЛЬНОЙ ДИСКОВОЙ ПИЛЫ

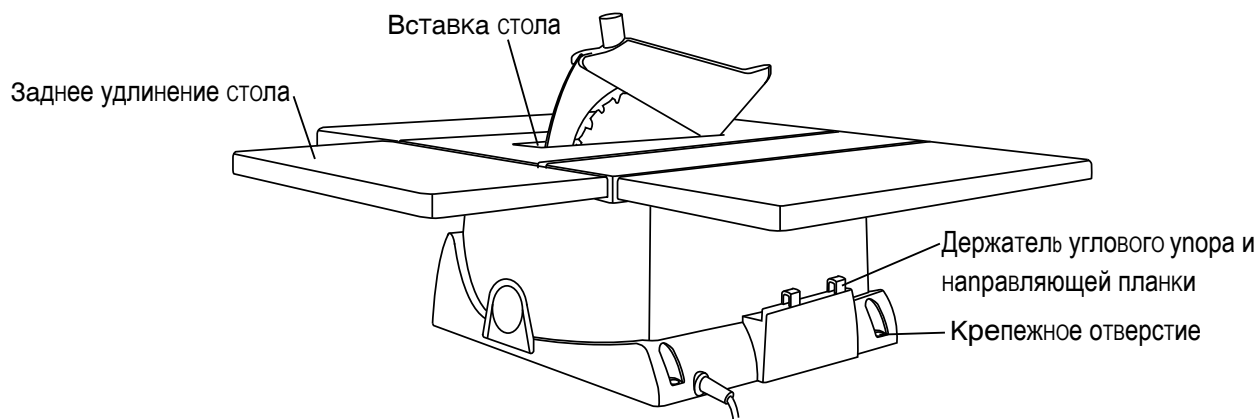


ЗНАЙТЕ КОНСТРУКЦИЮ СТАНКА

Вид спереди



Вид сзади



СБОРКА И НАСТРОЙКА

⚠ ВНИМАНИЕ

Для обеспечения Вашей собственной безопасности, не включайте вилку в розетку до тех пор, пока все процедуры сборки не будут окончены, и Вы полностью прочтете и поймете правила техники безопасности и эксплуатации.

ПРИМЕРНОЕ ВРЕМЯ НА СБОРКУ 30-40 МИНУТ СБОРКА СТОЙКИ (РИС. А)

1. Распакуйте все детали и отсортируйте их по типу и размеру. Необходимое количество деталей указано в списке деталей.
2. Прикрепите верхний суппорт (1) к верхней части ножки (2) при помощи одного болта (3) и гайки (4).

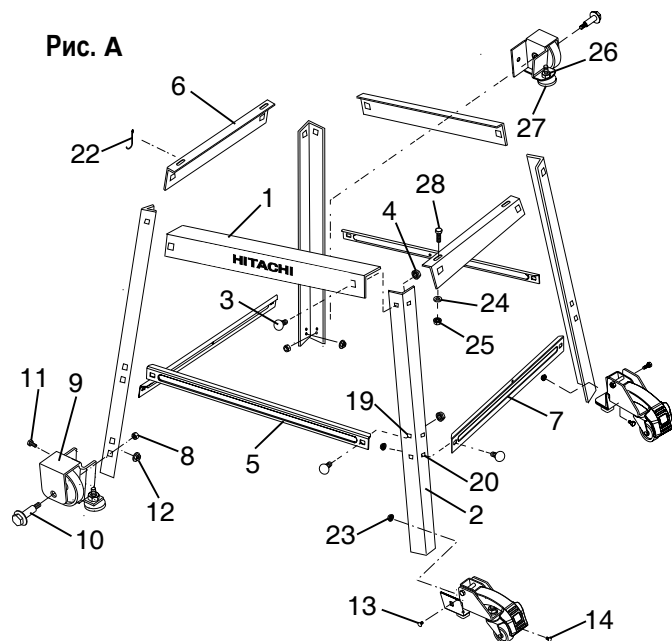
ПРИМЕЧАНИЕ:

- Чтобы обеспечить надежное крепление совместите стопоры на ножку со скобами суппорта
- Не затягивайте болты, пока стойка полностью не выровнена (см. пункт 7. перед затяжкой болтов)

3. Прикрепите другой конец длинного верхнего суппорта к верхней части другой ножки при помощи болта и гайки.
4. Закрепите один нижний суппорт (5) на верхних отверстиях (19) ножки при помощи болта (3) и гайки (4). Передняя часть стойки собрана.
5. Аналогично соберите заднюю часть стойки.
6. Соедините переднюю и заднюю часть стойки при помощи двух коротких верхних суппортов (6) и двух нижних суппортов (7), болтов и гаек.

ПРИМЕЧАНИЕ: Прикрепите два нижних суппорта (7) к нижним отверстиям (20) ножки.

7. Поместите стойку на горизонтальную поверхность и добейтесь того, чтобы все ножки касались пола под одинаковым углом, и чтобы стопоры ножек совмещались со скобами суппортов. Затяните болты.
- ПРИМЕЧАНИЕ:** Чтобы избежать раскачивания стойки, затяните все болты.



СБОРКА КОЛЕС (РИС. А)

ПРИМЕЧАНИЕ: Все четыре колеса различаются конструкцией.

1. Два неподвижных колеса (9) крепятся к левым ножкам, а два других подвижных колеса – к правым.
2. Прикрепите колесо к передней левой ножке, как показано на рисунке. Вставьте болт (10) в ножку стойки. Верните гайку (8) на болт и затяните.
3. Неподвижное колесо с меткой «R» – для задней левой ножки, с меткой «F» – для передней левой ножки.
4. Вставьте болт (11) в скобу колеса и левой передней ножки, как показано на рисунке. Наденьте гайку (12) на болт и затяните.
5. Повторите пункты 1-2 для неподвижного колеса задней левой ножки.
6. Вставьте болты (13 и 14) в скобу правого переднего подвижного колеса и правую переднюю ножку, как показано на рисунке. Наденьте по гайке (23) на каждый из двух болтов и затяните.
7. Подвижное колесо с меткой «R» – для задней правой ножки, с меткой «F» – для передней правой ножки.
8. Повторите пункты 4-5 для подвижного колеса задней правой ножки.
9. Установите стойку на горизонтальную поверхность и при помощи регулируемых подкладок передней левой и задней левой ножки (27) добейтесь, чтобы все ножки касались пола под одинаковым углом.

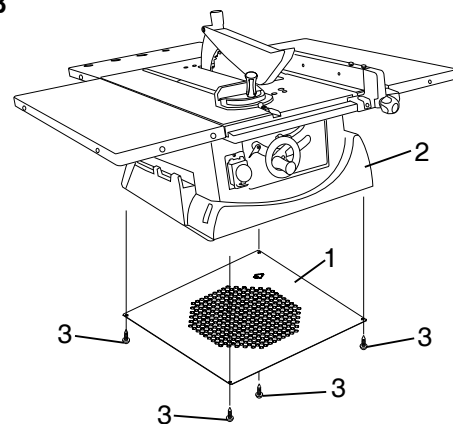
КРЕПЛЕНИЕ КРЫШКИ К СТОЛУ (РИС. В)

ПРИМЕЧАНИЕ:

Крышка основания поставляется не в сборе.

1. Прикрепите крышку основания (1) к основанию стола (2) при помощи 4 болтов (3) из набора отдельных частей.
2. Затяните 4 болта (3) перед креплением стола к стойке.

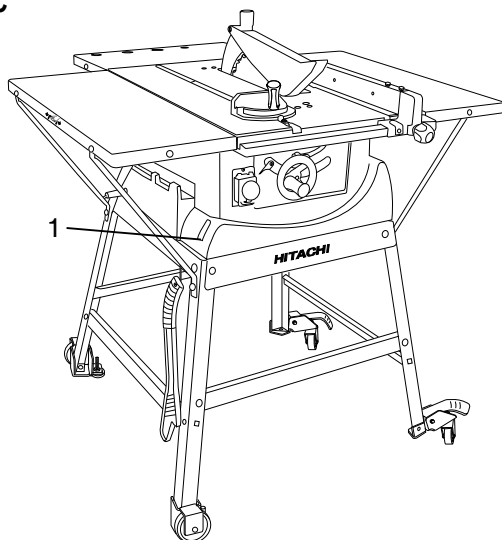
Рис. В



КРЕПЛЕНИЕ СТОЛА К СТОЙКЕ (РИС. А И С)

1. Поместите основание стола на стойку, совместив отверстия (1). (Рис. С)
2. Закрепите стол на стойке при помощи болтов (28), шайб (24) и гаек (25). (Рис. А)

Рис. С

**УСТАНОВКА КРЮЧКА ДЛЯ ТОЛКАТЕЛЯ (РИС. А)**

Прикрепите крючок для хранения толкателя (22-Рис. А) к левому короткому суппорту (6).

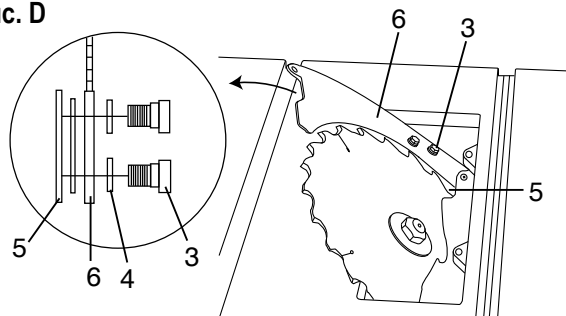
УСТАНОВКА РАСКЛИНИВАТЕЛЯ (РИС. D)

1. Поднимите диск в его верхнее положение, повернув колесо и наклонив диск под углом 45°.
2. Ослабьте болты на вставке стола и выньте ее.
3. Вставьте болты (3) и плоские шайбы (4) в скобу расклинителя (5) и сам расклинитель (6).
4. Затяните болты (3).
5. Верните вставку стола на место и затяните болты.

⚠ ВНИМАНИЕ

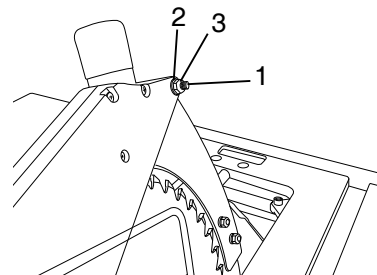
Толщина расклинителя – 2,5 мм. Убедитесь, что диск и расклинитель располагаются на одной прямой. В противном случае скорректируйте положение расклинителя, ослабив болты. Расстояние должно быть менее 5 мм в любом положении.

Рис. D

**Сборка защитного кожуха (Рис. Е)**

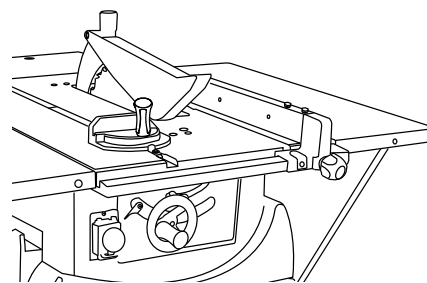
Поместите защитный кожух на расклинитель и закрепите его при помощи болта (1), плоской шайбы (2) и гайки (3).

Рис. Е

**УСТАНОВКА НАПРАВЛЯЮЩЕЙ ПЛАНКИ (РИС. F)**

Установите направляющую планку, задвинув ее с края стола, ровняясь по желобку в передней части стола и выступу на скобе планки.

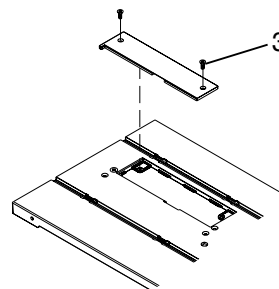
Рис. F

**УСТАНОВКА И ЗАМЕНА ДИСКА (РИС. G, H).****⚠ ВНИМАНИЕ**

Во избежание случайного запуска, всегда переводите переключатель в положение Выкл. (OFF, 0) и вынимайте провод питания из розетки перед сменой диска.

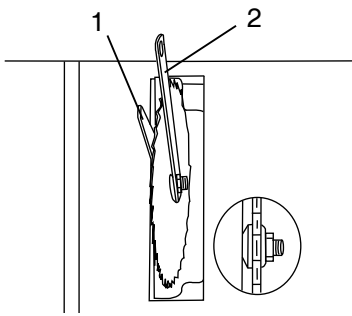
1. Ослабьте болты (3) на вставке стола при помощи отвертки и снимите вставку.

Рис. G



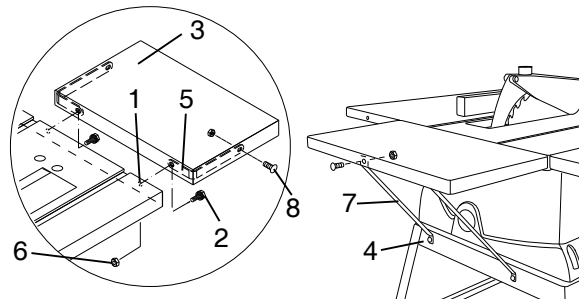
2. Поднимите диск в его верхнее положение.
3. при помощи поставляемого рожкового ключа (1) удерживайте оправку от вращения, а накидным ключом (2) ослабьте гайку на оправке. (Рис. H)
4. Снимите гайку на оправке и фланец.
5. Замените диск. Убедитесь, что зубцы диска направлены вниз к передней части стола.
6. Верните на место фланец и гайку оправки и затяните гайку.
7. Верните вставку стола и затяните два болта.

Рис. Н

**УСТАНОВКА ЗАДНЕГО УДЛИНЕНИЯ СТОЛА (РИС. И)**

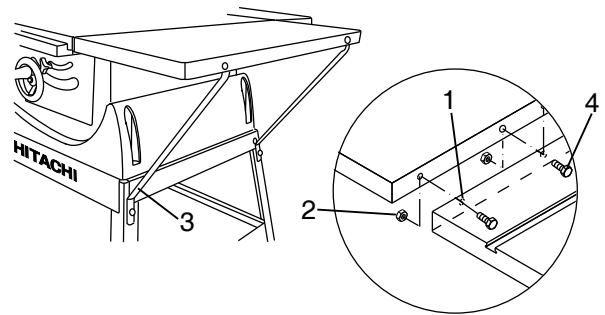
1. Поднесите заднее удлинение (3) к столу, совместив крепежные отверстия (1).
2. Вставьте болты (2) в крепежные отверстия (1) через скобу (5) и заднее удлинение (3).
3. Наденьте гайку (6) и затяните ее.
4. Вставьте болт (2) через удлинение (3) в другую часть скобы (5) и затяните гайку.
5. Прикрепите другой конец удлинения к столу при помощи болтов и гаек.
6. Поместите линейку или комбинированный угольник на стол и заднее удлинение (3).
7. При помощи болтов (2) добейтесь, чтобы удлинение плотно и ровно прилегло к столу. Затяните гайки (6).
8. Прикрепите суппорты удлинения (7) к заднему удлинению и закрепите их на стойке (4) при помощи болтов и гаек.

Рис. И

**УСТАНОВКА БОКОВЫХ УДЛИНЕНИЙ СТОЛА (РИС. J)**

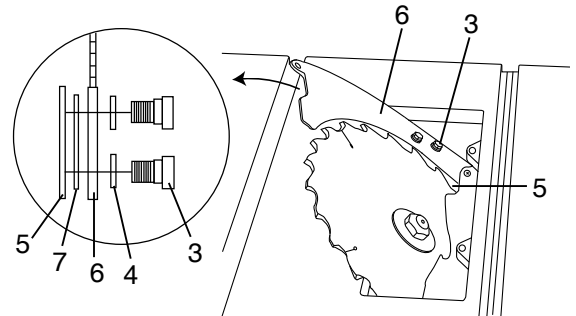
1. Поднесите левое удлинение к столу, совместив крепежные отверстия (1).
2. Вставьте болты (4) в крепежные отверстия и наденьте гайки.
3. Поместите линейку или комбинированный угольник на стол и удлинение.
4. При помощи гайки (2) добейтесь, чтобы удлинение плотно и ровно прилегло к столу. Затяните.
5. Прикрепите суппорты удлинения (3) к левому удлинению и закрепите их на стойке при помощи болтов и гаек.
6. Повторите эти операции для крепления правого удлинения.

Рис. J

**ВЫРАВНИВАНИЕ РАСКЛИНИВАТЕЛЯ (РИС. K)**

1. Если диск и расклинователь не выровнены:
 - а. Снимите вставку стола, отвернув болты.
 - б. Снимите защитный кожух, сняв болт, плоскую шайбу и гайку, которыми крепится кожух.
 - в. Ослабьте два болта (3) на скобе расклинователя (5).
2. Вставьте шайбы (7) между расклинователем (6) и скобой (5).
3. Надежно затяните два крепежных болта (3).
4. Верните на место защитный кожух, закрепив его при помощи болта, шайбы и гайки.
5. Проверьте выравнивание расклинователя и диска в положении 90° и 45°.
6. Добавляйте или снимайте шайбы, пока не будет достигнуто выравнивание.
7. Верните на место вставку стола.

Рис. K



ПРИМЕЧАНИЕ: Точное выравнивание производится на заводе производителя. Проверьте его точность и проведите настройку, если необходимо, чтобы добиться наилучших результатов.

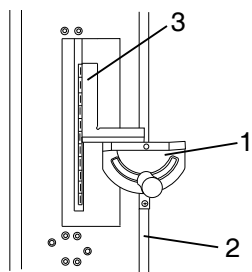
ВЫРАВНИВАНИЕ ДИСКА ПАРАЛЛЕЛЬНО КАНАВКЕ УГЛОВОГО УПОРА (РИС. L, M, N)

⚠ ВНИМАНИЕ

Выравнивание необходимо произвести точно, иначе возможна отдача и затруднение точной резки.

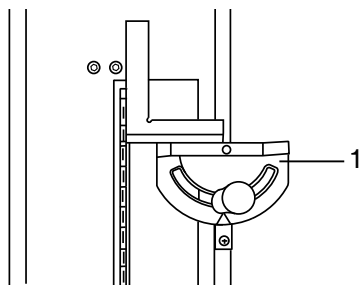
1. Поднимите диск в его верхнее положение. И установите угол 0° .
2. Выберите зубец диска, отогнутый вправо. Отметьте его карандашом или маркером.
3. Поместите угловой упор (1) в правую канавку (2) на крышке стола. Поверните угловой упор в положение 90° и поверните ручку, чтобы зафиксировать это положение.
4. Вращайте диск, чтобы помеченный зубец находился впереди на расстоянии 13 мм над поверхностью стола. Поместите угольник (3) вплотную к угловому упору и двигайте угольник к диску до тех пор, пока он едва коснется кончика отмеченного зубца. (Рис. L)

Рис. L



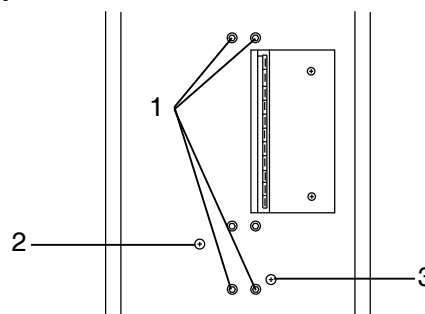
5. Не меняя положение угольника, приложенного к упору (1) двигайте упор к центру диска. Поворачивайте диск так, чтобы отмеченный зубец оказался сзади на расстоянии 13 мм над поверхностью стола.
6. Двигайте угловой упор назад до тех пор, пока угольник не приблизится к кончику отмеченного зубца. (Рис. M)

Рис. M



7. Если угольник едва касался зубца, когда упор был впереди, он должен касаться зубца и в этом положении.
8. Если зазор впереди и сзади неодинаков, снимите угловой упор, ослабьте четыре болта (1) и осторожно возьмите диск. Проведите необходимые манипуляции, чтобы зазор впереди и сзади был одинаков. Затяните четыре болта (1). (Рис. N)

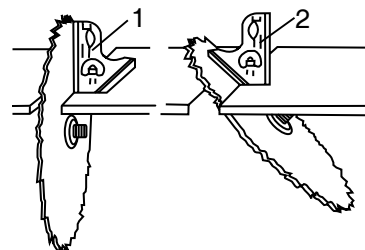
Рис. N



УСТАНОВКА ЖЕСТКОГО УПОРА ДИСКА ПОД УГЛОМ 90° .

1. Поднимите диск в его верхнее положение.
2. Освободите ручку фиксатора наклона диска и двигайте поворотный механизм влево, пока он не упрется в стопор. Затяните ручку фиксатора наклона.
3. При помощи угольника проверьте, равен ли угол наклона 90° . (Рис. O)
4. Если угол не равен 90° , ослабьте ручку фиксатора наклона. При помощи нескольких поворотов болтов (2-рис N) проведите настройку и приведите поворотный механизм в положение 90° относительно стола.
5. После настройки затяните ручку фиксатора наклона.
6. Ослабьте болт указателя наклона и установите указатель в положение 0° .

Рис. O



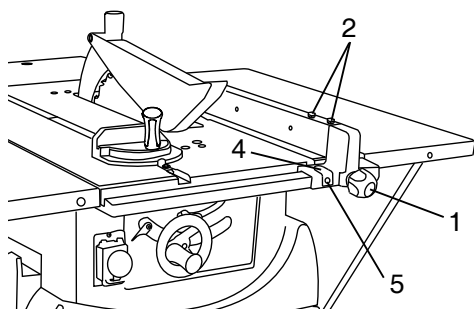
УСТАНОВКА ЖЕСТКОГО УПОРА ДИСКА ПОД УГЛОМ 45° .

1. Поднимите диск в его верхнее положение.
2. Освободите ручку фиксатора наклона диска и двигайте поворотный механизм влево, пока он не упрется в стопор. Затяните ручку фиксатора наклона.
3. При помощи угольника в 45° (2) проверьте, равен ли угол наклона 45° . (Рис. O)
4. Если угол не равен 45° , ослабьте ручку фиксатора наклона. При помощи нескольких поворотов болтов (3-рис N) проведите настройку и приведите поворотный механизм в положение 45° относительно стола.
5. После настройки затяните ручку фиксатора наклона.
6. Ослабьте болт указателя наклона и установите указатель в положение 45° .

НАСТРОЙКА НАПРАВЛЯЮЩЕЙ ПЛАНКИ (РИС. P)**⚠ ВНИМАНИЕ**

Настройку необходимо произвести точно, иначе возможна отдача и затруднение точной резки.

1. Ослабьте ручку зажима (1).
2. Поместите направляющую планку на один из краев канавки углового упора.
3. Зафиксируйте планку на столе при помощи ручки зажима. Края планки должны стать параллельны канавке углового упора.
4. Если край планки не параллелен канавке углового упора, ослабьте болты (2) на планке, установите ее параллельно канавке и затяните болты (2).

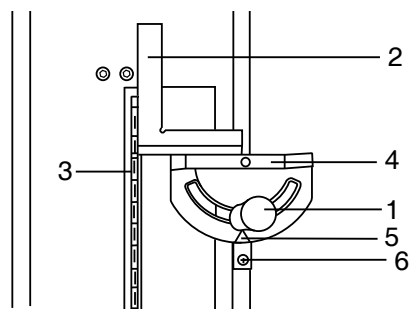
Рис. P**НАСТРОЙКА УКАЗАТЕЛЯ НАПРАВЛЯЮЩЕЙ ПЛАНКИ (РИС. P)**

ПРИМЕЧАНИЕ: настройку указателя необходимо проводить заново при установке диска другой толщины.

1. Чтобы установить нулевое положение указателя, ослабьте ручку зажима (1) и двигайте планку до плотного контакта с боковой плоскостью диска.
2. Убедитесь, что указатель (4) расположен на отметке 0 на линейке в передней части стола.
3. Если указатель не находится на отметке 0, затяните ручку зажима, ослабьте болт указателя (5) и переведите указатель в положение 0. Затяните болт указателя.

НАСТРОЙКА УГЛОВОГО УПОРА (РИС. Q)

1. Чтобы провести настройку положения 90° , ослабьте ручку зажима (1) и поместите угольник (2) вплотную одновременно к диску (3) и угловому упору (4). Указатель упора (5) должен находиться у отметки 90° .
2. Если указатель не находится у отметки 90° на упоре, затяните ручку зажима, ослабьте болт указателя (6), переведите его к отметке 90° , затяните болт указателя.

Рис. Q

ЭКСПЛУАТАЦИЯ

ПЕРЕКЛЮЧАТЕЛИ НАСТОЛЬНОЙ ДИСКОВОЙ ПИЛЫ (РИС. R)

Главный переключатель (3-Рис. R), выключатель нулевого напряжения в передней части у основания станка. Для подачи питания следует нажать «I», для выключения – «0».

⚠ ВНИМАНИЕ

Не включайте станок в электрическую сеть, пока не будут завершены все работы по установке и настройке, и пока Вы полностью не прочтете и поймете инструкции по технике безопасности и эксплуатации.

ПОДЪЕМ И ОПУСКАНИЕ ДИСКА (РИС. R)

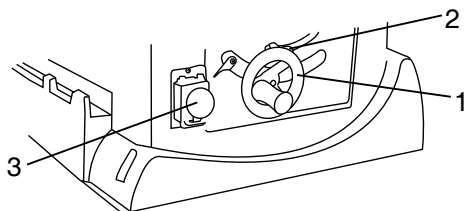
⚠ ВНИМАНИЕ

Не проводите операцию при вращающемся диске.

1. Чтобы поднять диск, вращайте колесо (1) против часовой стрелки.
2. Чтобы опустить диск, вращайте колесо (1) по часовой стрелке.

ПРИМЕЧАНИЕ: Рекомендуемая высота диска составляет 3,2 мм над поверхностью заготовки.

Рис. R



НАКЛОН ДИСКА (РИС. R)

⚠ ВНИМАНИЕ

Во время работы всегда затягивайте ручку фиксатора наклона диска.

Ослабьте ручку фиксатора наклона (2), вращайте колесо, пока диск не расположится под необходимым углом. Затяните ручку фиксатора наклона.

ПЕРЕМЕЩЕНИЕ НАПРАВЛЯЮЩЕЙ ПЛАНКИ

ПРИМЕЧАНИЕ:

1. Направляющую планку можно устанавливать справа или слева от диска.
2. Указатель на планке показывает расстояние от планки до диска.
3. Чтобы переместить планку ослабьте ручку зажима, прижимая скобу планки к поверхности стола. Выберите необходимое расстояние от диска и затяните ручку зажима.

РАБОТА С УГЛОВЫМ УПОРОМ

ПРИМЕЧАНИЕ:

1. Угловой упор можно устанавливать справа или слева от диска.
2. Поскольку канавка углового упора Т-образная, для установки упора следует вставлять его с конца канавки.
3. Для установки угла резки ослабьте ручку зажима, поверните угловой упор на нужный угол, затяните ручку зажима.

ПРОДОЛЬНАЯ РЕЗКА (РИС. S)

ПРИМЕЧАНИЕ:

1. Под продольной резкой обычно понимают резку вдоль волокна.
2. Не выполняйте продольную резку “голыми руками”. Пользуйтесь направляющей планкой, снимите угловой упор со стола.

⚠ ВНИМАНИЕ

1. Перед продольной резкой убедитесь, что:
 - a. Направляющая планка надежно закреплена параллельно диску.
 - b. Расклинователь выровнен, и находится на одной прямой с диском.
 - c. Заготовка должна прилегать к направляющей планке прямой гранью. Она не должна быть скручена или искривлена.
2. Обе руки следует держать вдали от диска и вне траектории резки.

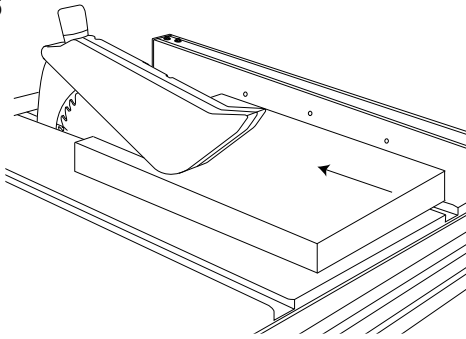
1. Установите диск на такую высоту, чтобы он выступал над поверхностью заготовки на 3,2 мм.
2. Не поднимайте заготовку со стола, плотно прижмите ее к направляющей планке. Расположите заготовку на расстоянии 25 мм от кромки диска.
3. Включите станок и дайте диску набрать скорость.
4. Удерживая заготовку на столе и прижимая к направляющей планке, медленно подавайте заготовку к задней части стола через диск. Непрерывно двигайте заготовку, пока диск и защитный кожух полностью не пройдут сквозь нее, а она окажется в задней части стола.
5. При резке длинных досок или крупных деталей всегда обеспечивайте надлежащую поддержку.
6. При ширине заготовки более 150 мм, непрерывно подавайте заготовку одной или двумя руками, пока диск и расклинователь полностью не пройдет через заготовку.

⚠ ВНИМАНИЕ

Не проводите операций при вращающемся диске.

7. При ширине заготовки от 50 до 150 мм, пользуйтесь входящим в комплект толкателем для подачи заготовки.
8. При резке под наклоном, работайте с заготовкой и направляющей планкой только с правой стороны от диска.

Рис. S



ПОПЕРЕЧНАЯ РЕЗКА (РИС. T)

ПРИМЕЧАНИЕ:

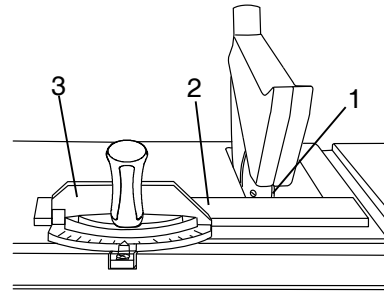
1. Под поперечной резкой обычно понимают резку поперек волокон.
2. Не выполняйте поперечную резку "голыми руками". Пользуйтесь угловым упором, снимите направляющую планку со стола.

⚠ ВНИМАНИЕ

1. Перед поперечной резкой убедитесь, что:
 - а. Расклинователь выровнен, и находится на одной прямой с диском.
 - б. Заготовка должна прилегать к угловому упору прямой гранью. Она не должна быть скручена или искривлена.
 2. Обе руки следует держать вдали от диска и вне траектории резки.
1. Установите диск на такую высоту, чтобы он выступал над поверхностью заготовки на 3,2 мм.
 2. Не поднимайте заготовку со стола, плотно прижмите ее к угловому упору. Расположите заготовку на расстоянии 25 мм от кромки диска.
 3. Включите станок и дайте диску (1) набрать скорость.
 4. Удерживая заготовку (2) на столе и прижимая к угловому упору (3), медленно подавайте заготовку к задней части стола через диск. Непрерывно двигайте заготовку, пока диск и защитный кожух полностью не пройдут сквозь нее, а она окажется в задней части стола.

5. При резке под наклоном, работайте с заготовкой и угловым упором только с правой стороны от диска.

Рис. T



ПОПЕРЕЧНАЯ РЕЗКА ПОД УГЛОМ (РИС. U)

Данная операция аналогична поперечной резке, с той лишь разницей, что диск расположен под углом, отличным от 0°.

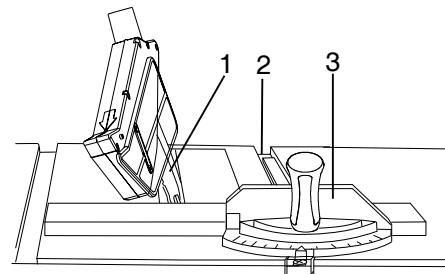
⚠ ВНИМАНИЕ

При данном виде резки всегда работайте справа от диска. Угловой упор (3) должен находиться в правой канавке (2), поскольку при работе под углом защитный кожух может мешать проходу заготовки с левой стороны стола.

1. Установите диск (1) под необходимым углом и затяните ручку фиксатора наклона.
2. Затяните ручку зажима упора на 90°.
3. На протяжении резки плотно прижимайте заготовку к угловому упору (3).

ПРИМЕЧАНИЕ: При выборе угла 45° ручка углового упора упрется в защитный кожух.

Рис. U



КОМБИНИРОВАННАЯ ПОПЕРЕЧНАЯ РЕЗКА (РИС. V)

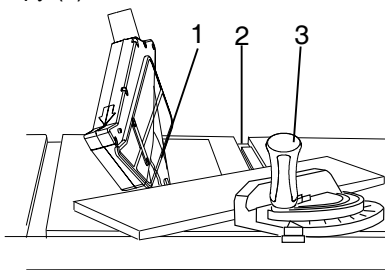
Эта операция сочетает в себе резку под углом и наклон диска.

⚠ ВНИМАНИЕ

При данном виде резки всегда работайте справа от диска. Угловой упор (3) должен находиться в правой канавке (2), поскольку при работе под наклоном защитный кожух может мешать проходу заготовки с левой стороны стола. При повороте заготовки на 45° и подаче его на диск, защитный кожух может удариться о ручку. Во избежание травм в этом случае проход следует прекратить.

1. Выберите необходимый угол углового упора.
2. Поместите упор (3) в канавку (2) с правой стороны стола.
3. Установите необходимый угол наклона диска (1) и затяните ручку фиксации наклона.
4. На протяжении резки плотно прижимайте заготовку к угловому упору (3).

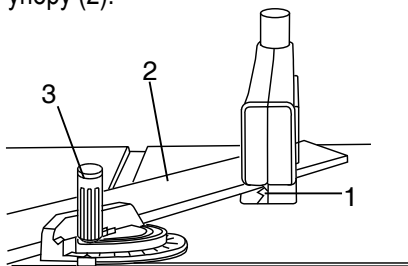
Рис. V

**РЕЗКА ПОД УГЛОМ (РИС. W)**

Эта операция аналогична поперечной резке, за исключением того, что угол, под которым расположен угловой упор, не равен 90°.

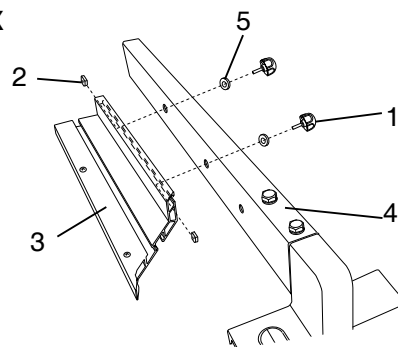
1. Установите диск (1) под углом 0° и затяните ручку фиксатора наклона.
2. Установите необходимый угол для углового упора (3) и зафиксируйте его, затянув ручку зажима упора.
3. На протяжении резки плотно прижимайте заготовку к угловому упору (2).

Рис. W

**ИСПОЛЬЗОВАНИЕ ДОПОЛНИТЕЛЬНОЙ НАПРАВЛЯЮЩЕЙ ПЛАНКИ НА ОСНОВНОЙ (РИС. X)**

При продольной резке таких материалов, как тонкие облицовочные панели, необходимо использовать дополнительную планку, чтобы избежать попадания заготовки между основной направляющей планкой и столом. При выполнении особых операций резки можно установить дополнительную планку (3) с левой или с правой стороны основной (4).

Рис. X



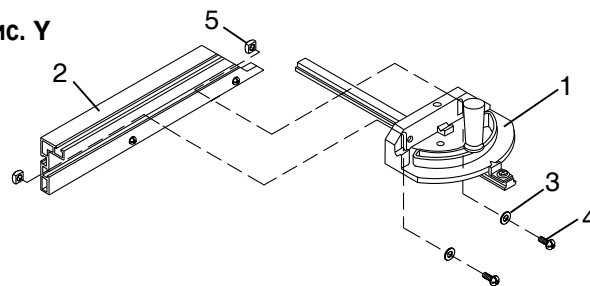
1. Поместите квадратные гайки (2) в выемки дополнительной планки (3).
2. Прикрепите дополнительную планку к основной при помощи зажимов (1) через шайбы (5) и отверстия в направляющей планке.
3. Затяните зажимы.

ИСПОЛЬЗОВАНИЯ ДОПОЛНИТЕЛЬНОЙ ПЛАНКИ НА УГЛОВОМ УПОРЕ (РИС. Y)

При выполнении особых операций резки можно установить дополнительную планку (2) на угловой упор (1).

1. Поместите квадратные гайки (5) в выемки дополнительной планки (2).
2. Прикрепите дополнительную планку к угловому упору при помощи шайб (3) и болтов (4).
3. Затяните болты.

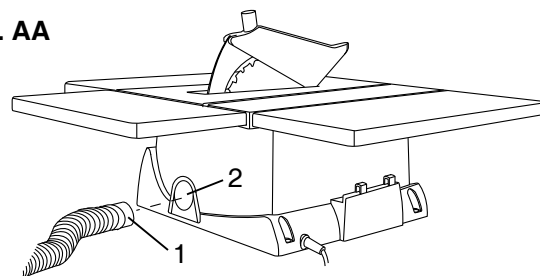
Рис. Y

**ИСПОЛЬЗОВАНИЕ ПАТРУБКА ПЫЛЕСБОНИКА (РИС. AA)****⚠ ВНИМАНИЕ**

Для предотвращения опасности возгорания, чистите и убирайте опилки и пыль под пилой регулярно

Для предотвращения накопления пыли внутри корпуса, подсоедините шланг пылесоса (1) к патрубку (2) позади стола. НЕ РАБОТАЙТЕ пилой с подсоединенным шлангом, пока не включен пылесос.

Fig. AA



ОБСЛУЖИВАНИЕ

ОБСЛУЖИВАНИЕ НАСТОЛЬНОЙ ДИСКОВОЙ ПИЛЫ

ВНИМАНИЕ

Во избежание травм впоследствии случайного запуска, всегда переводите переключатель в положение Выкл. (OFF, 0) и вынимайте провод питания из розетки перед сменой диска.

ОСНОВНОЕ ОБСЛУЖИВАНИЕ

Время от времени сметайте стружку и пыль со станка при помощи сухой тряпки. Для увеличения срока службы ежемесячно смазывайте маслом движущиеся части станка. Не смазывайте электродвигатель.

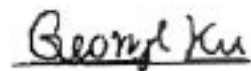
ОСМОТР ГРАФИТОВЫХ ЩЕТОК

При покупке нового станка или при замене старых щеток на новые, их состояние следует проверить через 50 часов работы. После этого проверки следует проводить каждые 10 часов работы.

Если графит сточился до 6 мм, или если пружинная или шунтирующая проводка сгорела или повреждена, следует заменить обе щетки. Если щетки подлежат ремонту, их можно вновь вставить после ремонта.

ЗАЯВЛЕНИЕ О СООТВЕТСТВИИ (ЕС)

Компания Rexon Industrial Corp. Ltd. Заявляет, что данная настольная дисковая пила, модель C10RE, соответствует Директиве 73/23/ЕЕС по устройствам низкого напряжения, поправке 93/68/ЕЕС, Приложению 1 Положения об охране труда в машиностроении 98/37/ЕС, директиве EMC 89/396/ЕЕС. Соответствие подтверждено TÜV Rheinland Product Safety GmbH, Am Grauen Stein, D-51105 Кельн, Германия.



Джордж Ку (George Ku), Менеджер по маркетингу

Дата: 24, августа, 2006

Rexon Industrial Corp., Ltd.,

261 Jen Hwa Road,

Tali, Taichung 412

Тайвань, КНР.

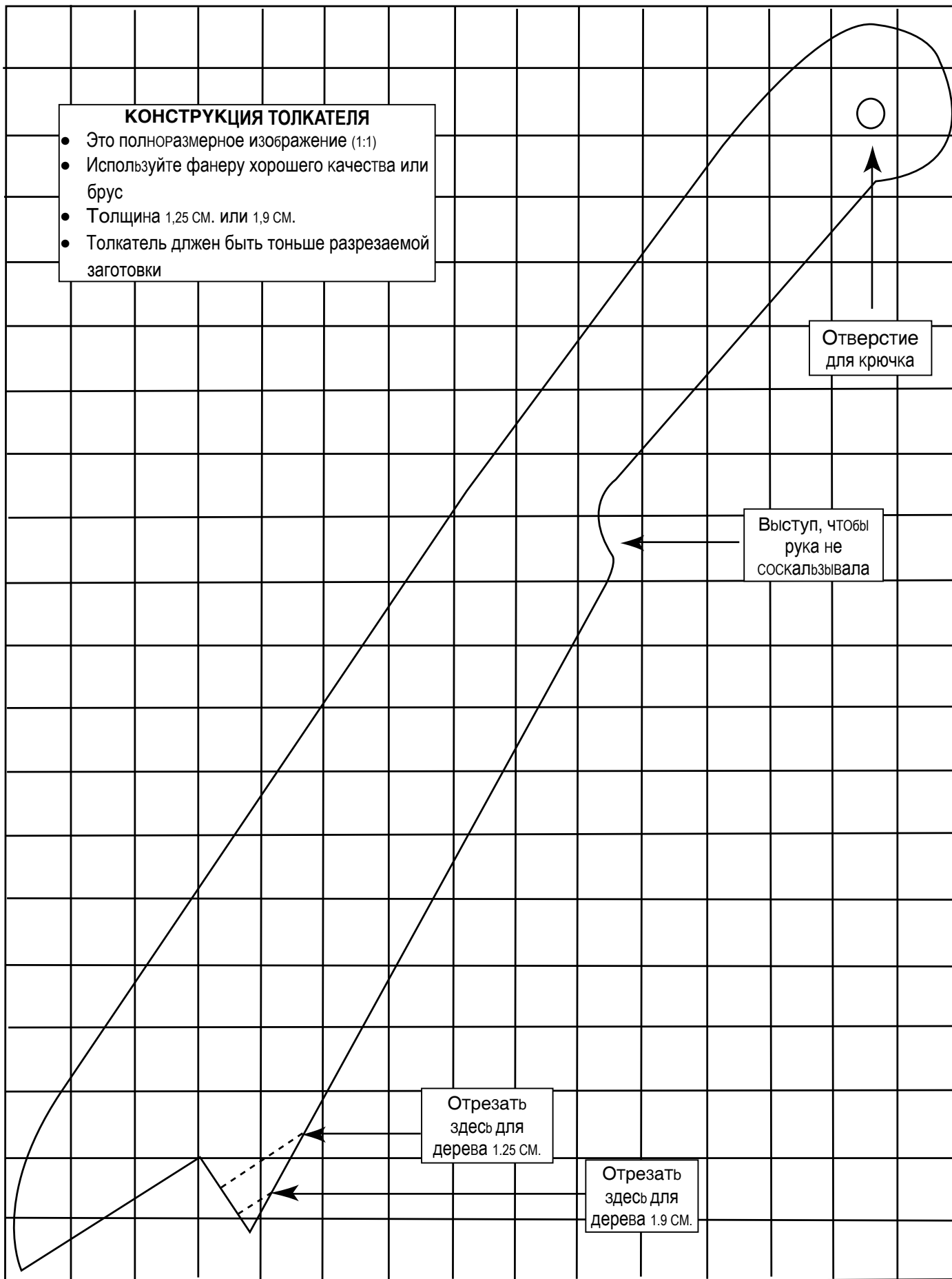
УСТРАНЕНИЕ НЕПОЛАДОК

⚠ ВНИМАНИЕ

Во избежание травм впоследствии случайного запуска, всегда переводите переключатель в положение Выкл. (OFF, 0) и вынимайте провод питания из розетки перед проведением любых работ по настройке.

- Если по какой-либо причине электродвигатель не запускается, свяжитесь с авторизованным сервисным центром Hitachi.

СИМПТОМ	ВОЗМОЖНЫЕ ПРИЧИНЫ	РЕШЕНИЕ
Пила не запускается	<ol style="list-style-type: none"> 1. Станок не включен в розетку 2. Сгорел предохранитель, сработал автоматический переключатель 3. Поврежден провод. 	<ol style="list-style-type: none"> 1. Включите станок в розетку 2. Замените предохранитель, сбросьте переключатель 3. Проведите замену провода у авторизованного дилера Hitachi
Неровный продольный отрез под углом 90° и 45°	<ol style="list-style-type: none"> 1. Неверно установлен жесткий упор 2. Неверно установлен указатель угла наклона. 	<ol style="list-style-type: none"> 1. Проверьте положение диска угольником, настройте жесткий упор. 2. Проверьте положение диска угольником, настройте нулевое положение
Заготовка зажимается при продольной резке	<ol style="list-style-type: none"> 1. Направляющая планка не параллельна диску. 2. Искривленная заготовка, неровная кромка заготовки у направляющей планки. 	<ol style="list-style-type: none"> 1. Проведите настройку направляющей планки 2. Возьмите другую заготовку.
Заготовка сгибается у расклинителя	<ol style="list-style-type: none"> 1. Расклинитель не выровнен относительно диска. 	<ol style="list-style-type: none"> 1. Проведите выравнивание расклинителя
Некачественная резка	<ol style="list-style-type: none"> 1. Затупился диск 2. Диск установлен задом наперед. 3. Смола на диске 4. неподходящий для данной задачи диск 5. Смола на диске затрудняет подачу заготовки 	<ol style="list-style-type: none"> 1. Замените диск 2. Переверните диск 3. Снимите диск и протрите скипидаром или стальной мочалкой. 4. Смените диск 5. Очистите стол скипидаром или стальной мочалкой.
Отдача заготовки от диска	<ol style="list-style-type: none"> 1. Неверное положение направляющей планки 2. Расклинитель не выровнен относительно диска 3. Подача заготовки без направляющей планки 4. Расклинитель не установлен 5. Затупился диск 6. Оператор отпускает заготовку до полного ее прохода. 7. Не затянута ручка зажима углового упора. 	<ol style="list-style-type: none"> 1. Выровняйте направляющую планку относительно канавки углового упора. 2. Выровняйте расклинитель 3. Установите и используйте направляющую планку 4. Установите и используйте расклинитель (с кожухом) 5. Замените диск 6. Отпускайте заготовку только после полного завершения прохода 7. Затяните ручку
Диск не поднимается и не опускается легко.	<ol style="list-style-type: none"> 1. Подъемный механизм засорен стружкой и пылью. 	<ol style="list-style-type: none"> 1. Сметите или выдуйте стружку и пыль.
Диск не набирает нужную скорость	<ol style="list-style-type: none"> 1. Провод удлинителя слишком тонкий или длинный 2. Низкое напряжение в сети 	<ol style="list-style-type: none"> 1. Замените удлинитель на подходящий 2. Обратитесь в энергоснабжающую компанию
МСильная substitute for Сильная	<ol style="list-style-type: none"> 1. Станок ненадежно закреплен. 2. Неровный пол 3. Неисправный диск 	<ol style="list-style-type: none"> 1. Затяните все крепления 2. Переместите станок на ровную поверхность. При необходимости приверните к полу. 3. Замените диск.
Неровный поперечный отрез под углом 90° и 45°	<ol style="list-style-type: none"> 1. Не настроен угловой упор 	<ol style="list-style-type: none"> 1. Настройте угловой упор.



PARTS LIST

10" (250mm) JOBSITE TABLE SAW

MODEL NO. C10RE

PARTS LIST FOR SCHEMATIC

Always order by I.D. Number

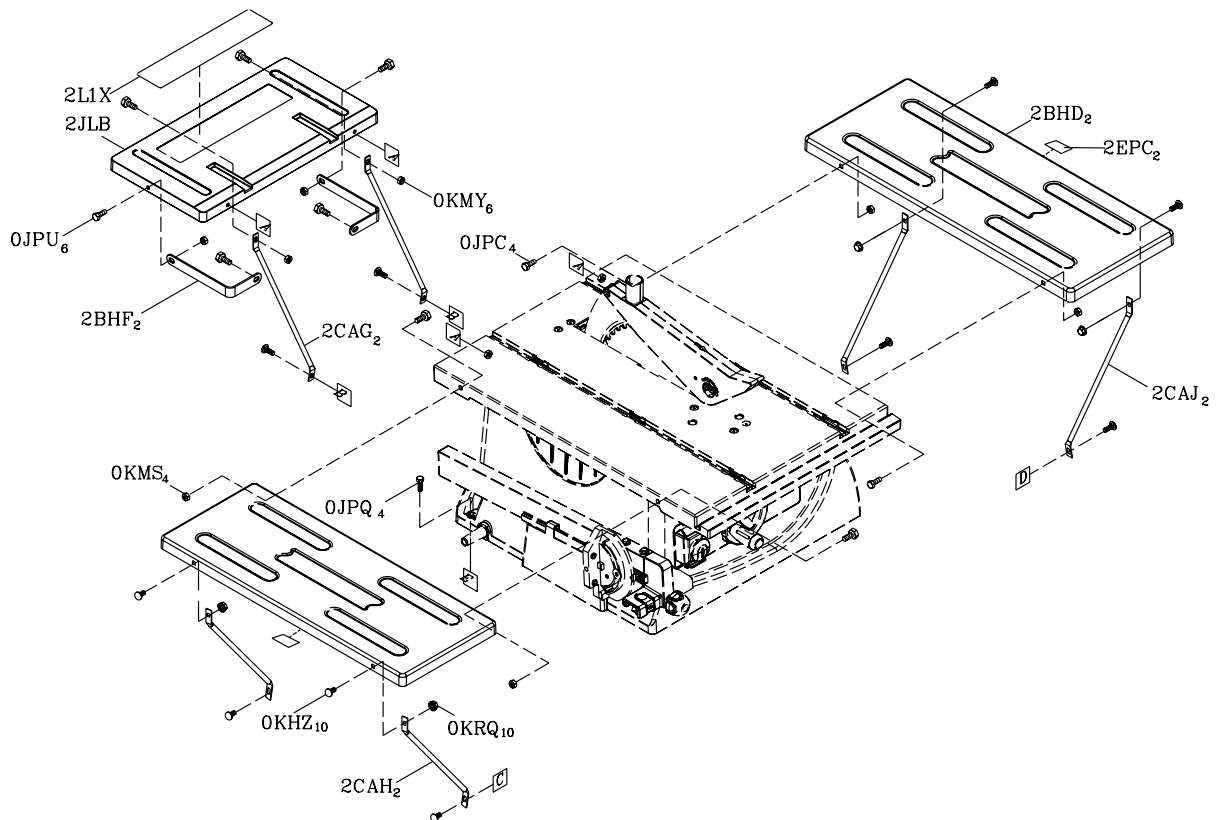
Parts NO.	I.D.	Description	Size	QTY	Parts NO.	I.D.	Description	Size	QTY
326833	08V4	RUBBER		1	726620	0KRQ	SERRATED TOOTHED HEXAGON FLANGE NUT	M6*1.0 T=6	7
726434	08VH	CORD CLAMP		1	726622	0KRX	HEXAGON NUT AND FLAT WASHER	M6*1.0	1
726437	09JK	WRENCH		1	326849	0KT5	GUARD-CORD		1
726437	0B23	SADDLE		1	326427	0KTD	STRAIN RELIEF		2
726439	0B24	SPRING		1	726633	0LMK	LOCKING CABLE TIE		1
326835	0B25	POINTER BRACKET		1	326850	0LN4	WIRE CONNECTOR		1
726444	0B3R	WRENCH		1	326851	0LVP	FERRITE CORE		1
726446	0B99	SPACER		1	326852	0M0H	CAPACITOR		1
726447	0B9C	PLUNGER HOUSING		1	726642	0STE	HEIGHT REGULATING BOLT ASS'Y		1
326836	0B9M	STRAP		6	326853	26BN	CR. RE. PAN HD. SCREW		1
326837	0B9S	BRACKET		1	726782	287H	RETAINING CLIP		1
726449	0B9W	BRACKET		1	326854	28GK	ARBOR COLLAR		1
726450	0BA4	SPACER		1	326855	28GV	ANGLE ROD		1
726454	0BAC	SET NUT		1	326856	28KD	TILT POINTER		1
726477	0J4E	FLAT WASHER	φ6*13-1	5	326857	28XW	LEVER BRACKET		1
726478	0J4F	FLAT WASHER	φ8*16-2.5	1	326858	28XZ	COVER		1
726479	0J4H	FLAT WASHER	φ10*30-0.2	2	326859	290X	LEAD WIRE ASS'Y		1
326838	0J4U	FLAT WASHER	φ6*18-1.5	4	326860	290Y	LEAD WIRE ASS'Y		1
726488	0J70	FLAT WASHER	1/4*3/4-7/64	2	726873	293H	PUSH BLOCK		1
726489	0J72	FLAT WASHER	1/4*5/8-1/16	1	326861	29KV	C-RING		1
726495	0J8D	FLAT WASHER	3/8*3/4-5/64	2	326862	2BA3	MOTOR ASS'Y		1
326839	0J8K	FLAT WASHER	1/4*3/4-1/16	2	326863	2BHA	SPLITTER BRACKET		1
326840	0J9H	SPRING WASHER	φ1/4"	6	326864	2BHB	LEVER		1
326842	0JFC	SELF-LOCKING RING		2	326865	2BJJ	TABLE		1
726525	0JPF	HEX. HD. BOLT	M6*1.0-25	4	326866	2BJX	DUST COLLECTOR		1
726535	0JXL	HEX. SOC. SET SCREW	M10*1.5-12	1	326867	2BKT	TRIGGER VALVE SEAT		1
325713	0JYN	HEX. SOC. COUNTERSUNK HD. SCREW	M6*1.0-25	6	326868	2BKU	DUST GUARD		1
726320	0K0Z	HEX. HD. SCREW AND WASHER	M8*1.25-16	4	326869	2BKV	FLOOR PLATE		1
726319	0K16	HEX. HD. SCREW AND WASHER	M8*1.25-16	1	326870	2C36	POWER CABLE		1
326843	0K1J	HEX. HD. SCREW AND WASHER	M6*1.0-16	2	326871	2C4U	PUSH BUTTON SWITCH ASS'Y		1
726538	0K25	HEX.SOCKET HD.CAP SCREWS	M5*0.8-20	1	326873	2CTZ	LOCK KNOB		1
726543	0K3G	CR.RE. PAN HD. SCREW & WASHER	M5*0.8-12	1	327697	2DAC	AUXILIARY PARALLEL BRACKET		1
326844	0K56	CR. RE. COUNT HD. SCREW	M5*0.8-12	2	326874	2DGS	SCALE		1
726561	0K8C	CR. RE.COUNT HD. TAPPING SCREW	M4*18-10	7	326875	2DVK	ARBOR COLLAR		1
726564	0K94	CR. RE. TRUSS HD. TAPPING SCREW	M5*12-16	4	326876	2FSW	BLADE		1
726570	0KA4	CR.RE. PAN HD. TAPPING SCREW	M4*16-16	2	327698	2G1U	BOLT CLAMP		1
325722	0KA5	CR.RE. PAN HD. TAPPING SCREW	M4*16-20	2	326877	2G1V	INSERT		1
326845	0KA6	CR.RE. PAN HD. TAPPING SCREW	M5*12-10	3	326878	2G2K	CONNECTOR		1
326846	0KDM	CR. RE. PAN HD. SCREW	M5*0.8-20	4	326879	2G2M	SPACER		1
726581	0KDR	CR. RE. PAN HD. SCREW	M5*0.8-10	1	326880	2G39	DUST TUBE.		1
327695	0KDU	CR. RE. PAN HD. SCREW	M6*1.0-12	2	326881	2G3E	SPACER		2
326847	0KEM	CR. RE. PAN HD. SCREW	M6*1.0-40	1	327699	2G3G	CLAMP HANDLE		2
726588	0KHZ	CAP HD. SQ.NECK BOLT	M6*1.0-12	1	327700	2G4C	BOLT CLAMP		1
726589	0KJ4	CAP HD. SQ.NECK BOLT	M6*1.0-35	1	326882	2G47	BODY SHELL		1
726590	0KJ5	CAP HD. SQ.NECK BOLT	M6*1.0-80	1	327701	2G48	PLUNGER		1
326848	0KM0	RIVET		2	327702	2K69	CAP HD. SQ.NECK BOLT	M6*1.0-40	1
726596	0KMR	HEX. NUT	M5*0.8 T=4	1	326883	2K8J	PARALLEL BRACKET ASS'Y		1
726597	0KMS	HEX. NUT	M6*1.0 T=5	1	326884	2K8S	HAND WHEEL ASS'Y		1
726600	0KMV	HEX. NUT	M10*1.5 T=8	1	326885	2K8W	BLADE GUARD ASS'Y		1
726601	0KMW	HEX. NUT	M10*1.5 T=4	1	326886	2K8X	MITER GAUGE ASS'Y		1
726603	0KMY	HEX. NUT	M8*1.25T=6.5	1	326887	2K8Y	AUXILIARY PARALLEL BRACKET ASS'Y		1
726612	0KQJ	CROWN NUT	M8*1.25 T=12.5	1	327898	2L21	LABEL		1
327696	0KQM	SQUARE NUT		4	327899	2L22	LABEL		1
726616	0KQX	NUT	M6*1.0 T=6	1	327705	2LJL	BRACKET ASS'Y		1

10" (250mm) JOBSITE TABLE SAW

MODEL NO. C10RE

PARTS LIST FOR EXTENSION WING

Parts NO.	I.D.	Description	Size	QTY
726524	OJPC	HEX. HD. BOLT	M6*1.0-12	4
326898	OJPQ	HEX. HD. BOLT	M8*1.25-35	4
726527	OJPU	HEX. HD. BOLT	M8*1.25-20	6
726588	OKHZ	CAP HD. SQ. NECK BOLT	M6*1.0-12	10
726597	OKMS	HEX. NUT	M6*1.0 T=5	4
726603	OKMY	HEX. NUT	M8*1.25T=6.5	6
726620	OKRQ	SERRATED TOOTHED HEXAGON FLANGE NUT	M6*1.0 T=6	10
326899	2BHD	EXTENTION WING		2
326900	2BHF	RETAINING CLIP		2
326901	2CAG	SUPPORT ROD		2
326902	2CAH	SUPPORT ROD		2
327706	2CAJ	SUPPORT ROD		2
326904	2EPC	STICKER		2
327902	2JLB	EXTENTION WING		1
327707	2L1X	TRADE-MARK LABEL		1



ENGLISH

Recyclable Materials Analysis List						
Material	Aluminum	Cast Iron	Iron Plate	Plastics	Others	Total
Weight(Kg)	4.63	0.0	17.9	4.93	0.54	28
Percentage (%)	16.5%	0.0%	63.9%	17.6%	1.9%	100.0%
Major Packaging Materials						
Material	Carton	Polystyrene	Low Density Polyethylene	Polypropylene	Others	Total
Weight(Kg)	2.12	0.06	0.1	0.03	0.07	2.38

RUSSIAN

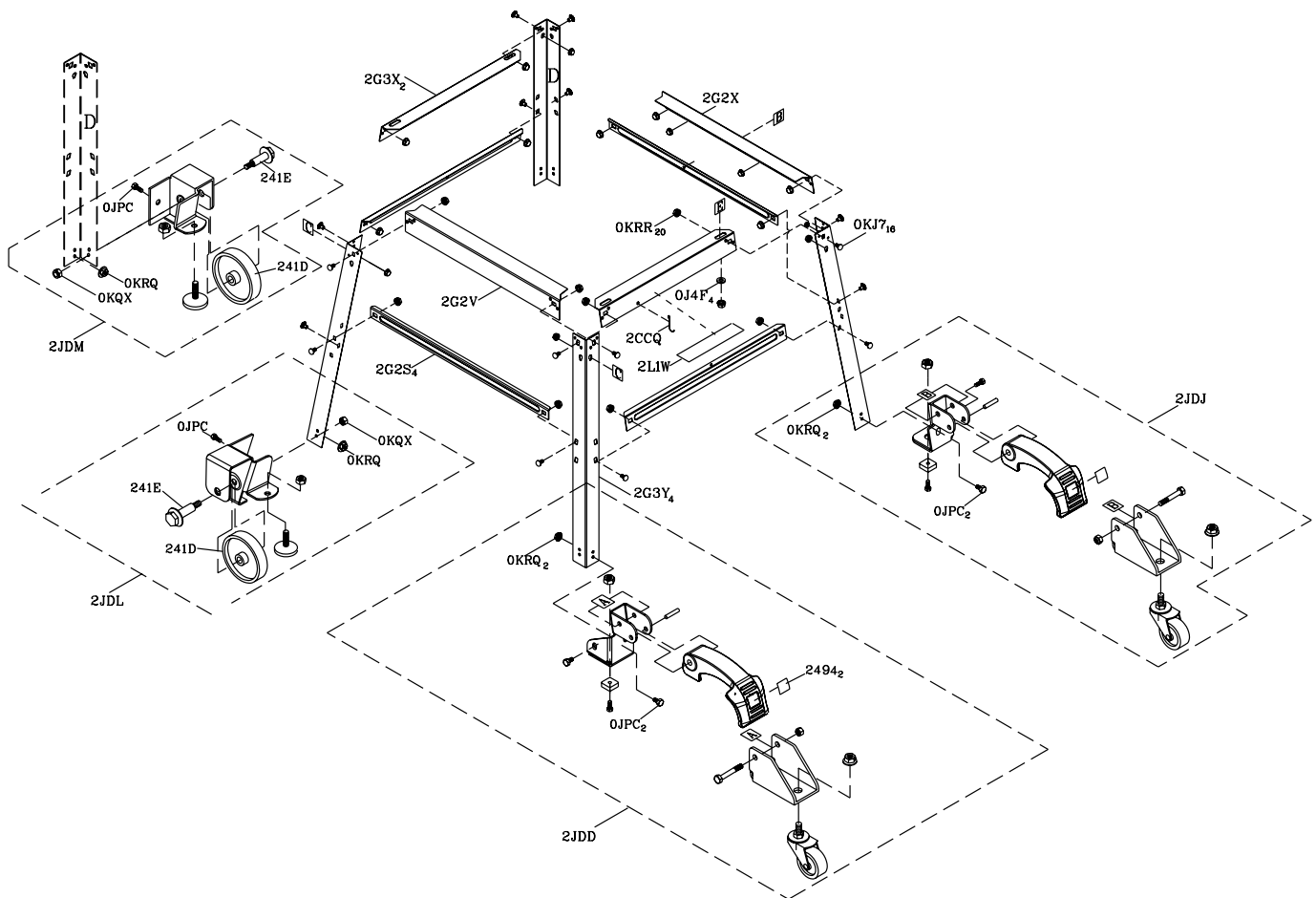
Анализ материалов, поддающихся утилизации						
Материал	Алюминий	Чугун	Листовая сталь	Пластмассы	Другие	Всего
Масса (Kr)	4.63	0.0	17.9	4.93	0.54	28
%	16.5%	0.0%	63.9%	17.6%	1.9%	100.0%
Основные упаковочные материалы						
Материал	Картон	Полистирол	Легкий полиэтилен	Полипропилен	Другие	Всего
Масса (Kr)	2.12	0.06	0.1	0.03	0.07	2.38

10" (250mm) JOBSITE TABLE SAW

MODEL NO. C10RE

PARTS LIST FOR STAND

Parts NO.	I.D.	Description	Size	QTY
726478	0J4F	FLAT WASHER	φ8*16-2.5	4
726591	0KJ7	CAP HD. SQ.NECK BOLT	M8*1.25-16	16
726524	0JPC	HEX. HD. BOLT	M6*1.0-12	6
726616	0KQX	NUT	M6*1.0 T=6	2
726620	0KRQ	SERRATED TOOTHED HEXAGON FLANGE NUT	M6*1.0 T=6	6
726621	0KRR	SERRATED TOOTHED HEXAGON FLANGE NUT	M8*1.25 T=7.5	20
327900	2494	CAUTION LABEL		2
327708	241D	ROLLING WHEEL		2
327709	241E	SPECIAL BOLT		2
326888	2CCQ	HOOK		1
326889	2G2S	BOTTOM SUPPORT BRACKET		4
326890	2G2V	UPPER SUPPORT(LONG)		1
326891	2G2X	UPPER SUPPORT(LONG)		1
326892	2G3X	UPPER SUPPORT(SHORT)		2
326893	2G3Y	BRACKET		4
326894	2JDD	FLOOR WHEEL ASS'Y		1
326895	2JDJ	FLOOR WHEEL ASS'Y		1
326896	2JDL	ROLLING WHEEL ASS'Y		1
326897	2JDM	ROLLING WHEEL ASS'Y		1
327710	2L1W	TRADE-MARK LABEL		1

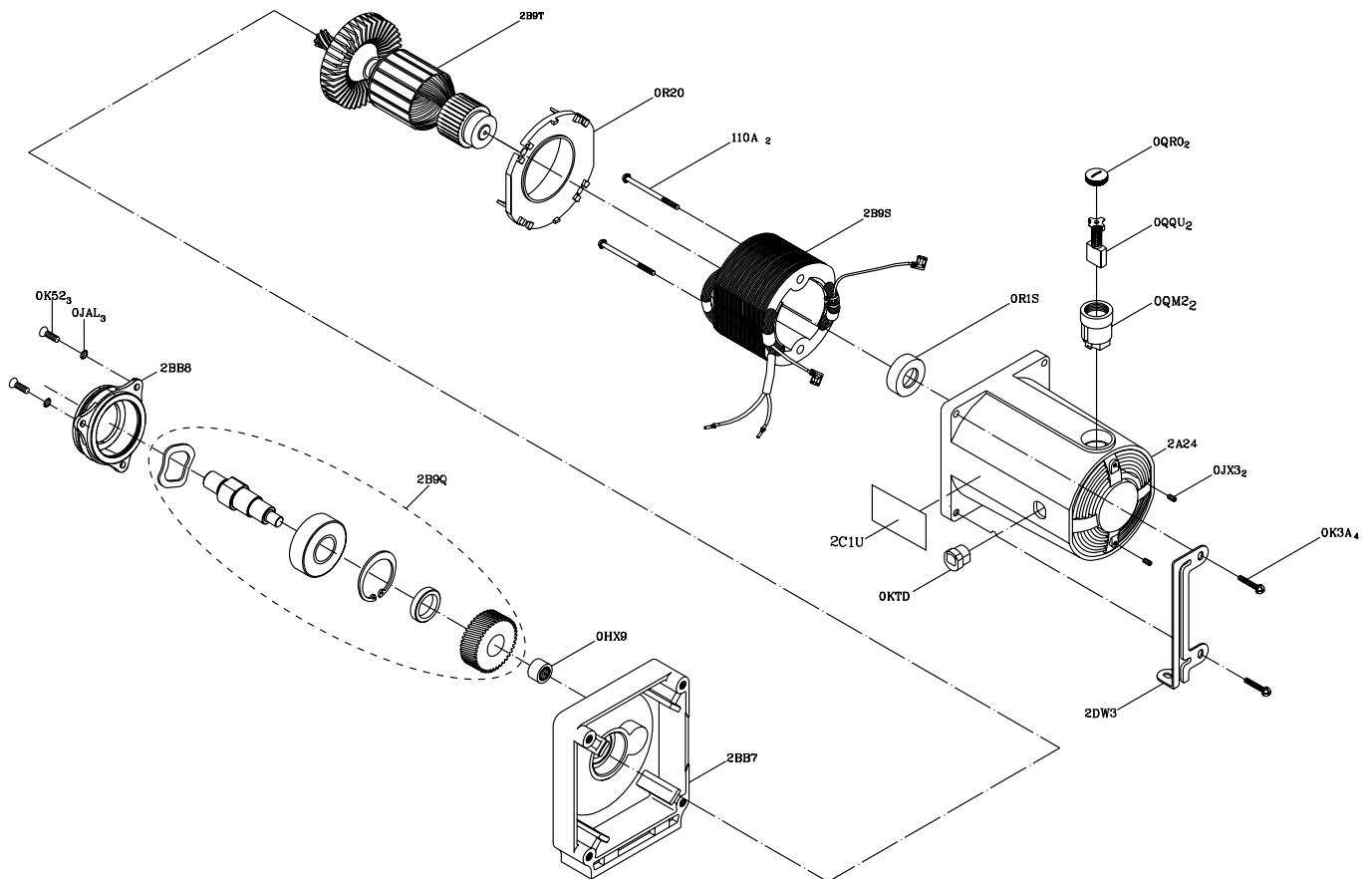


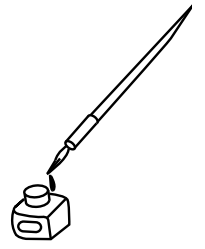
10" (250mm) JOBSITE TABLE SAW

MODEL NO. C10RE

PARTS LIST FOR MOTOR

Parts NO.	I.D.	Description	Size	QTY
326905	0HX9	NEEDLE BEARING		1
326906	0JAL	EXT.TOOTH LOCK WASHER	φ4	3
326907	0JX3	HEX. SOC. SET SCREW	M5*0.8-8	2
326908	0K3A	CR.RE. PAN HD. SCREW & WASHER	M5*0.8-30	4
326909	0K52	CR. RE. COUNT HD. SCREW	M4*0.7-12	3
326427	0KTD	STRAIN RELIEF		1
326910	0QM2	BRUSH HOLDER ASS'Y		2
326458	0QQU	CARBON BRUSH ASS'Y		2
326243	0QR0	BRUSH COVER		2
326911	0R1S	BEARING BUSHING		1
326912	0R20	BAFFLE		1
326913	110A	CR.-RE.PAN HD.TAPPING SCREW & WASHER	M5*2-55	2
326915	2A24	MOTOR HOUSING		1
326916	2B9Q	CUTTER SHAFT ASS'Y		1
326917	2B9S	FIELD ASS'Y		1
326918	2B9T	ARMATURE ASS'Y		1
326919	2BB7	BRACKET		1
326920	2BB8	BEARING SEAT		1
327901	2C1U	LABEL		1
327712	2DW3	RETAINING CLIP		1





Issued by

 **Hitachi Koki Co., Ltd.**

Shinagawa Intercity Tower A, 15-1, Konan 2-chome,
Minato-ku, Tokyo 108-6020, Japan

Выпущено

 **Hitachi Koki Co., Ltd.**

Shinagawa Intercity Tower A, 15-1, Konan 2-chome,
Minato-ku, Токио 108-6020, Япония

701
Code No. C99158171
Printed in Taiwan