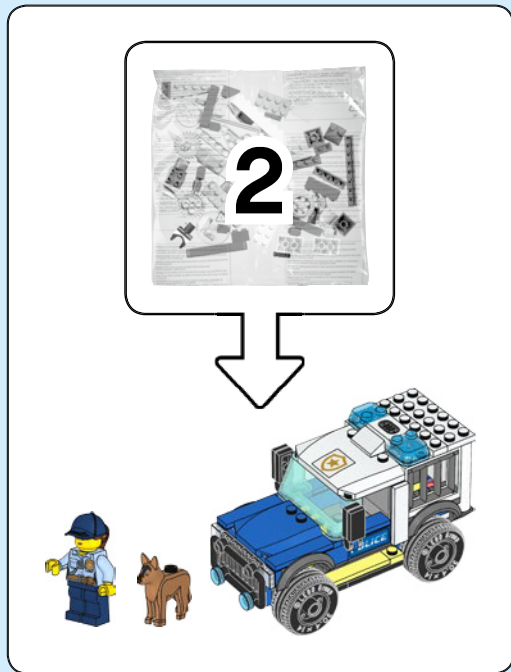


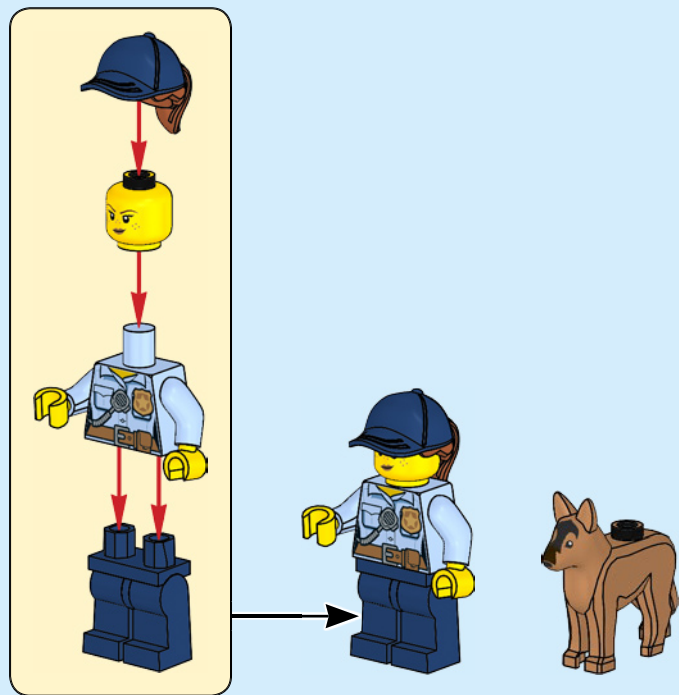


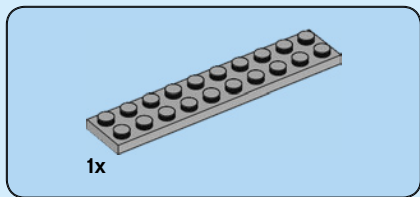
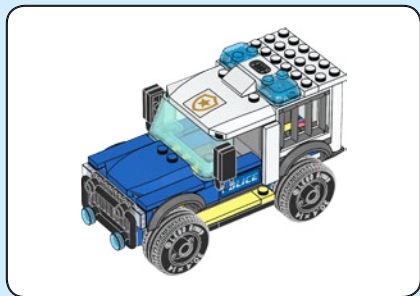
# CITY

60246

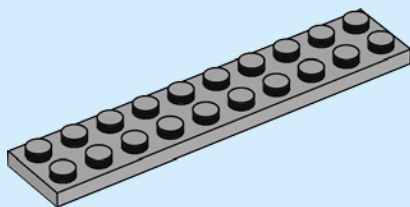


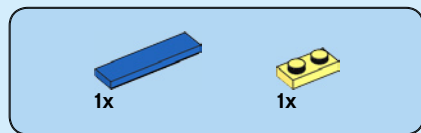




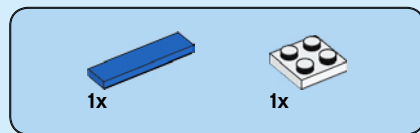
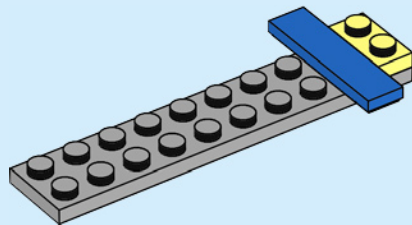


1

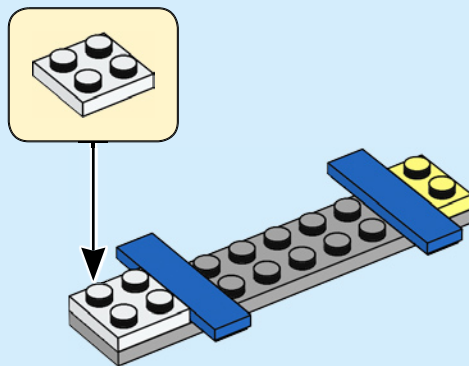


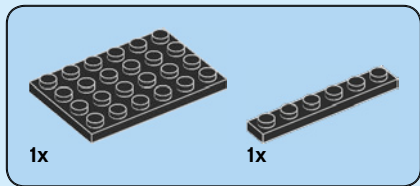


2

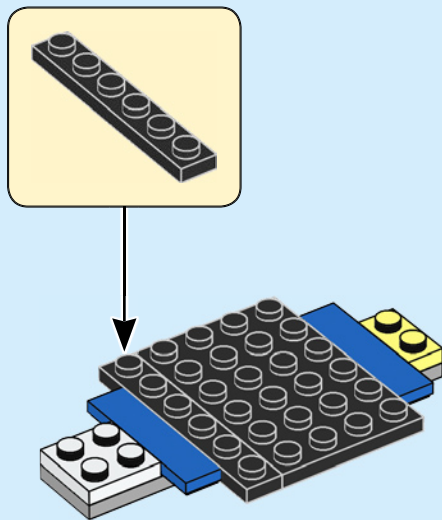


3

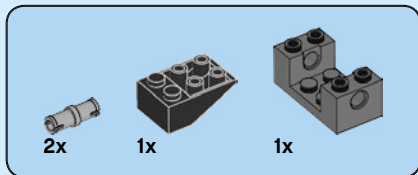




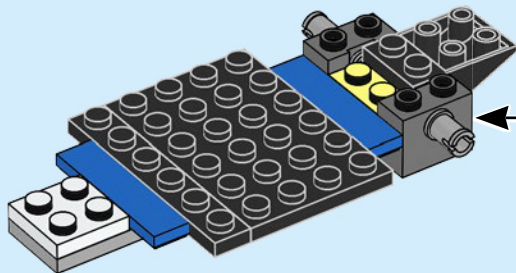
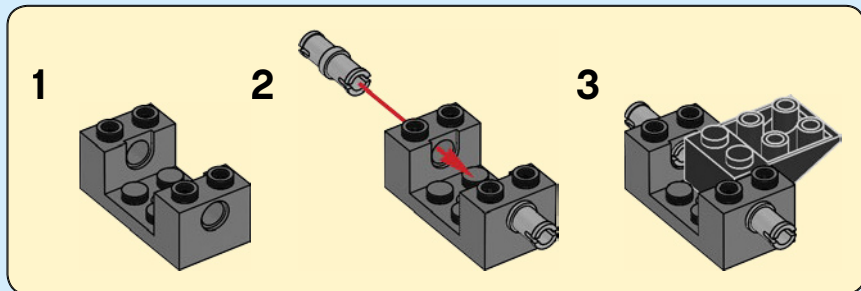
4



6

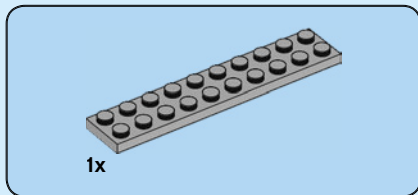


5

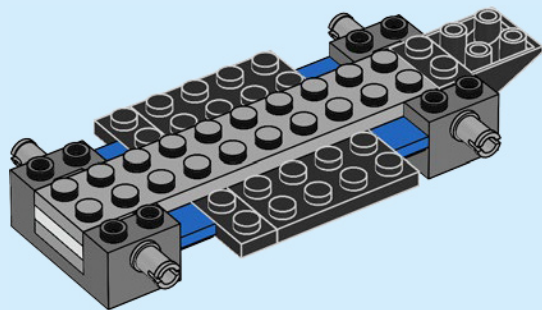


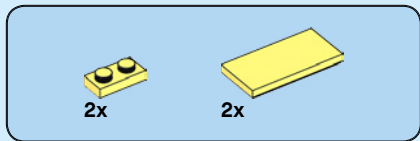




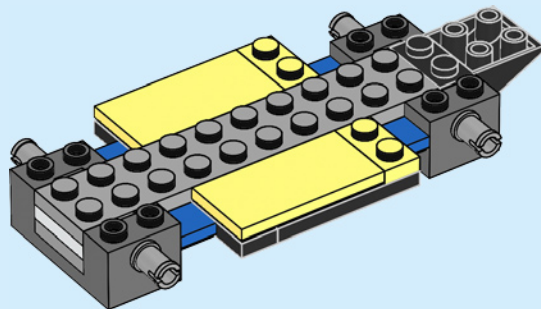


7





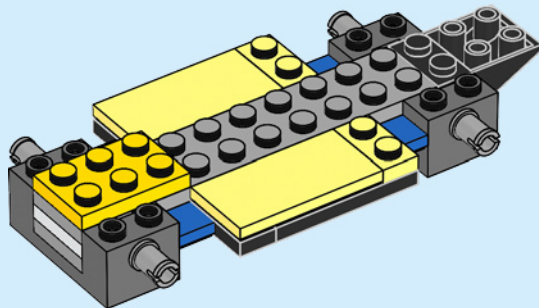
8





1x

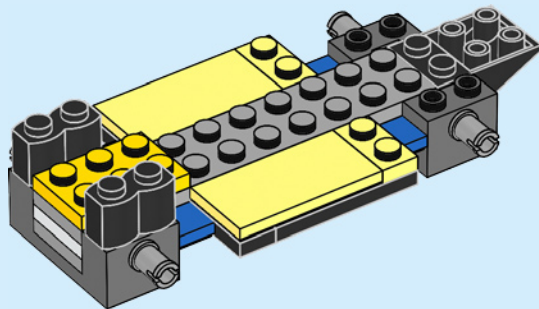
9

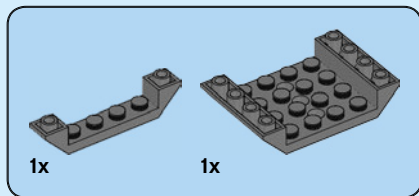




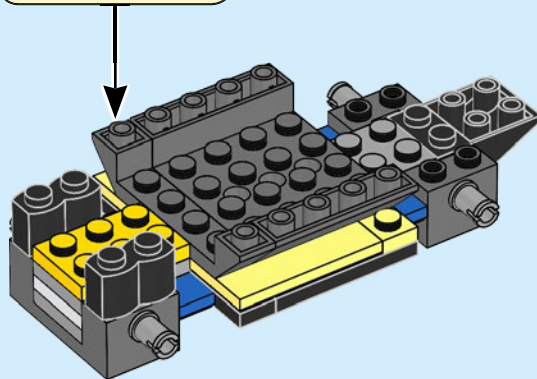
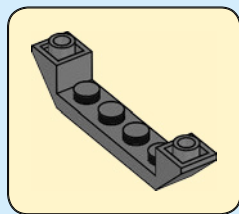
2x

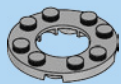
10





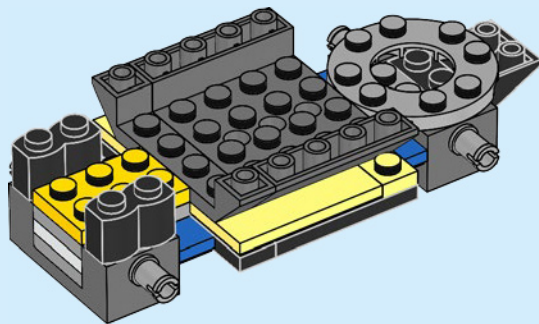
11



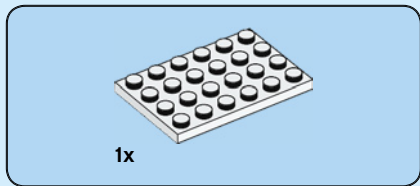


1x

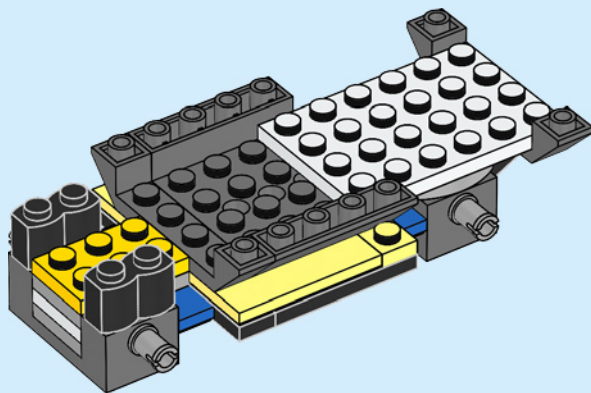
12



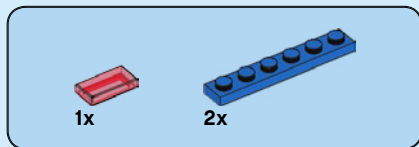




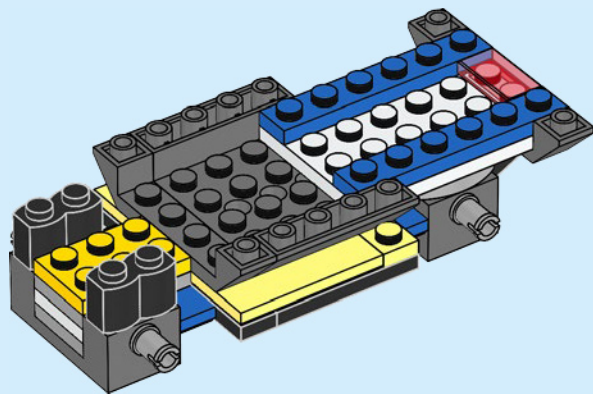
14

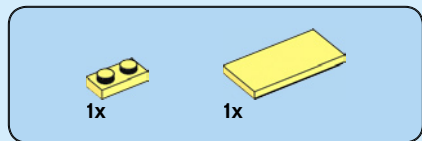




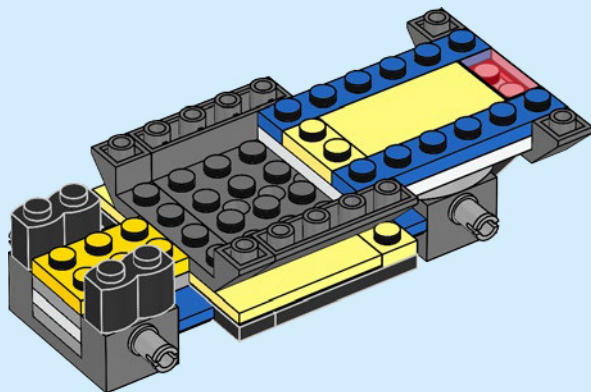


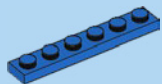
15





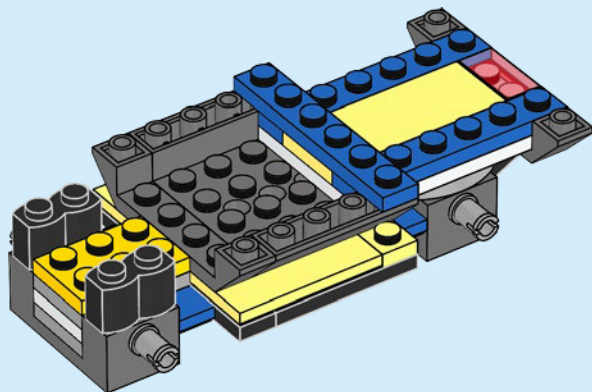
16

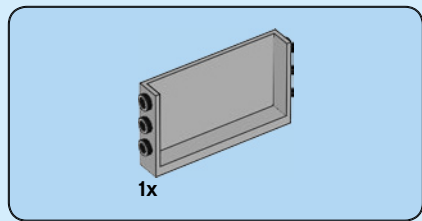




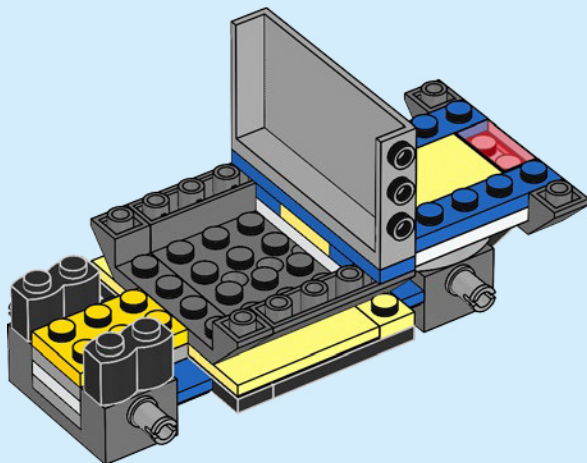
1x

17





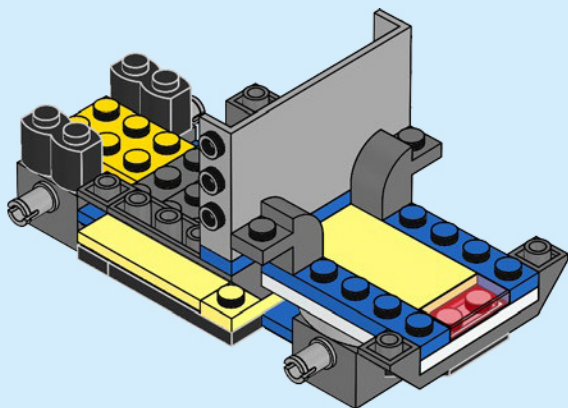
18





2x

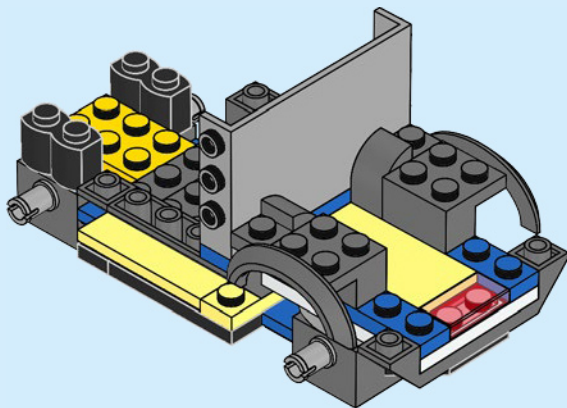
19





2x

20

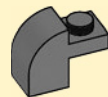
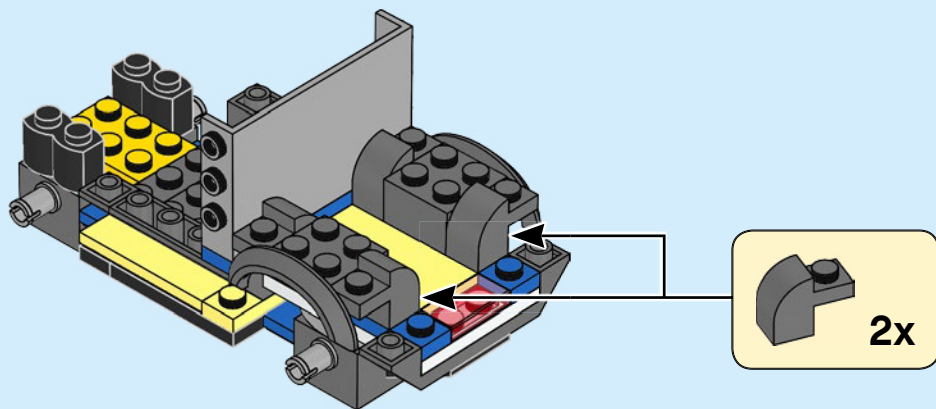


22

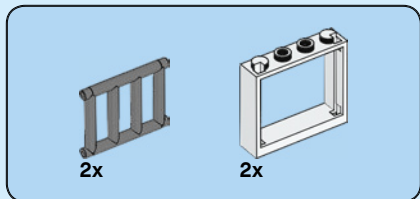


2x

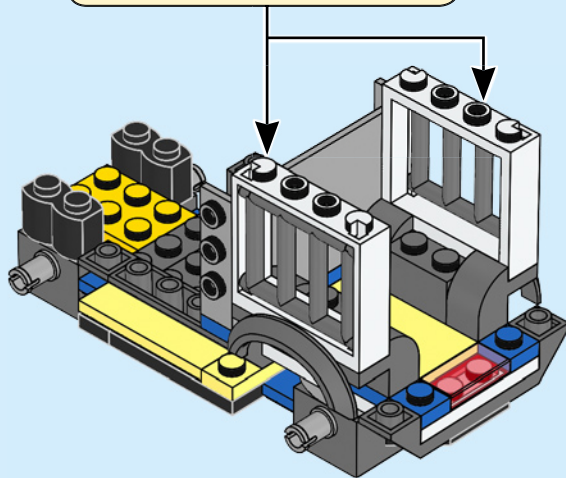
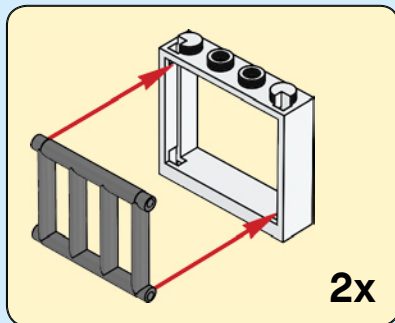
21



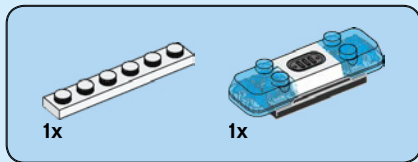
2x



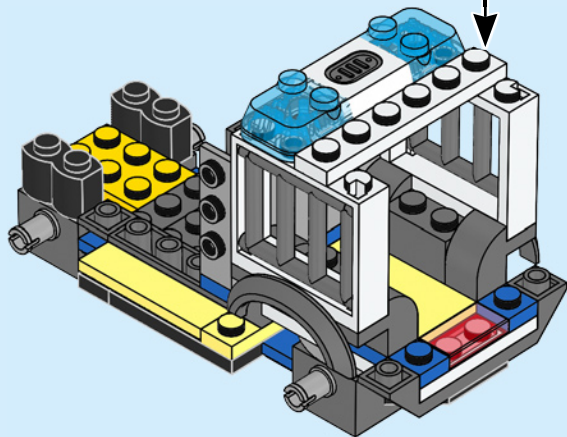
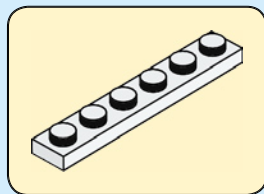
22

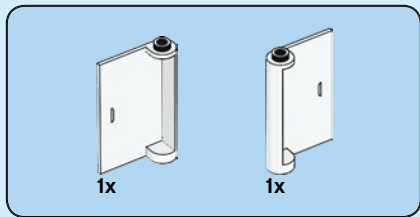




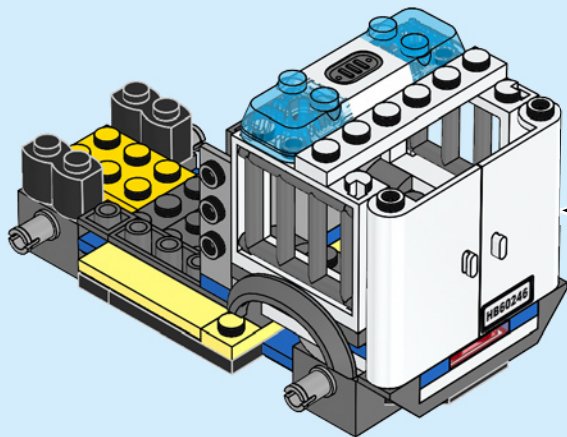
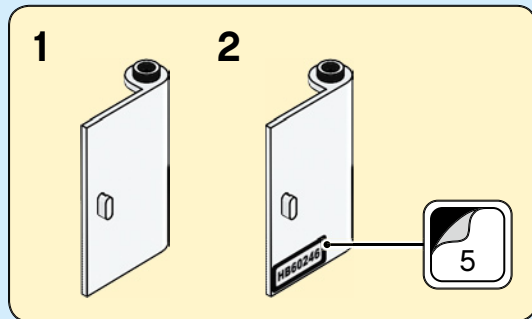


23





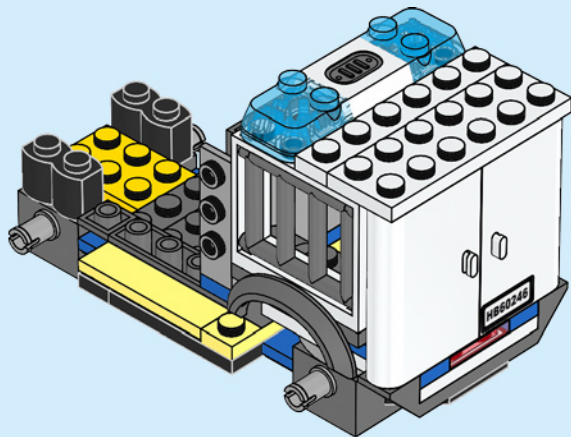
24





1x

25

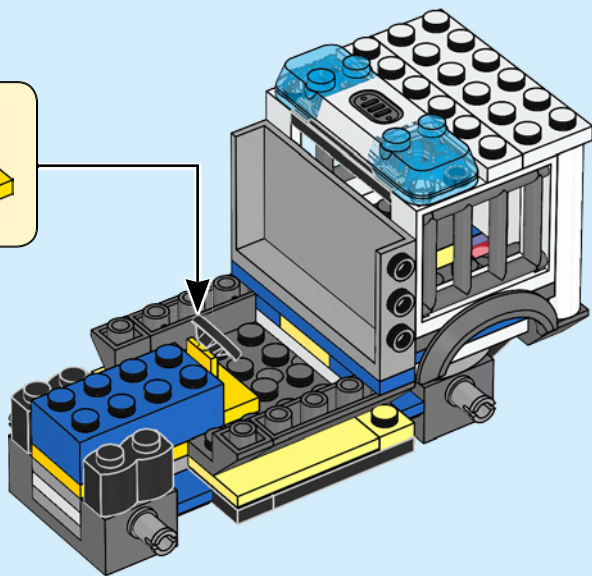






1x

27

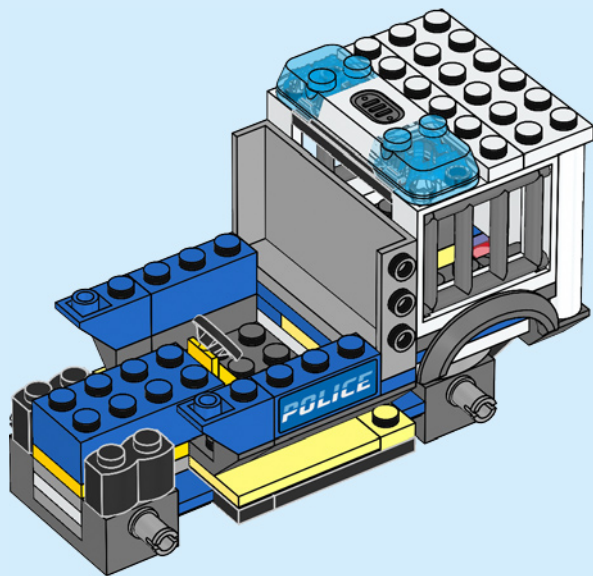






2x

29



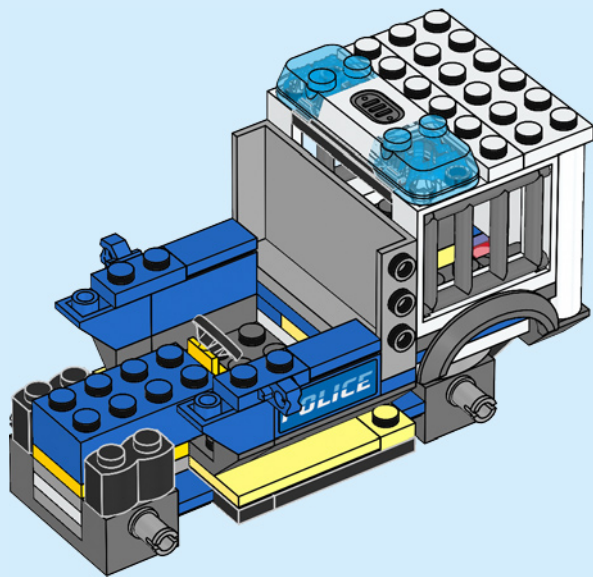


2x



2x

# 30





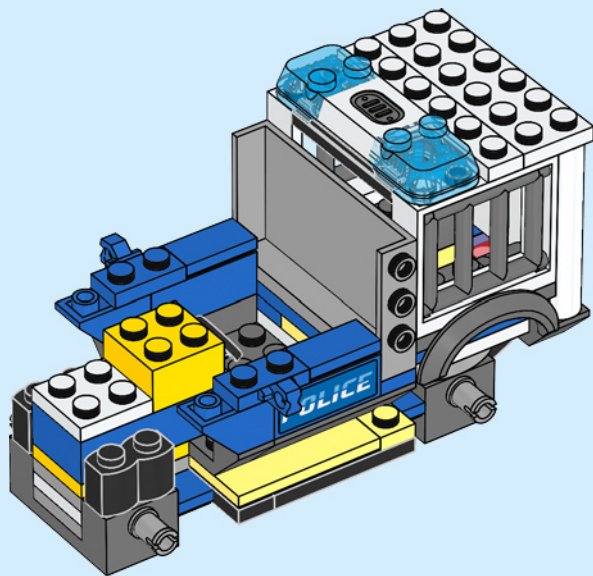


1x



1x

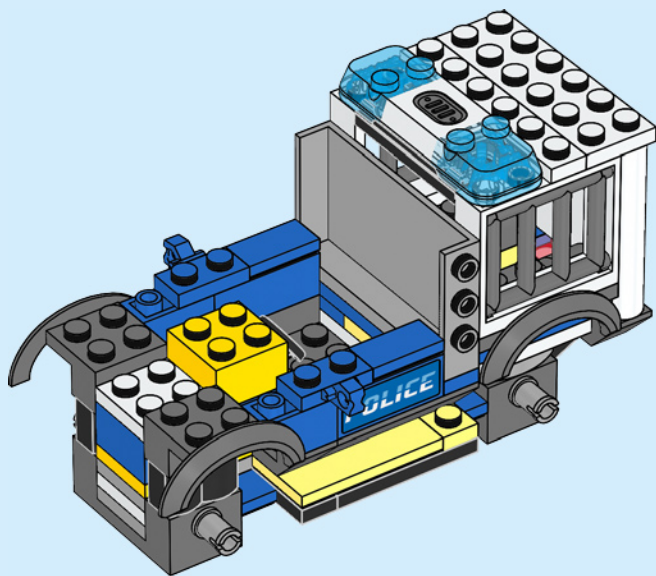
# 31

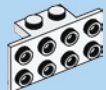




2x

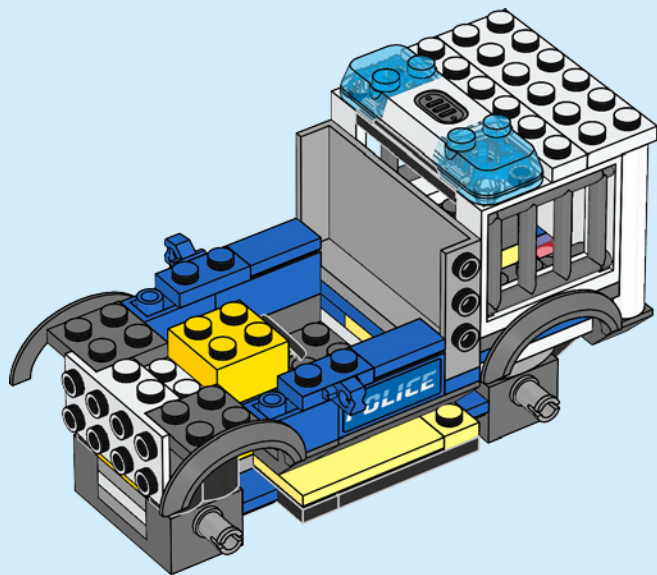
32

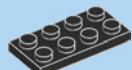




1x

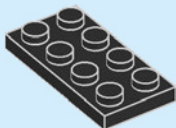
33



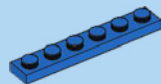


1x

34

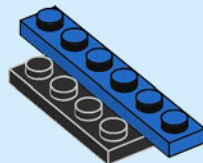


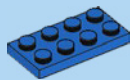
36



1x

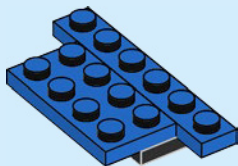
35





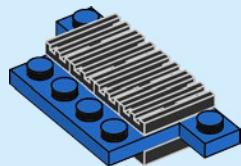
1x

**36**



4x

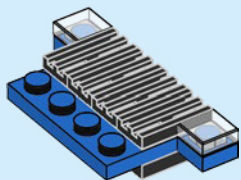
**37**





2x

38

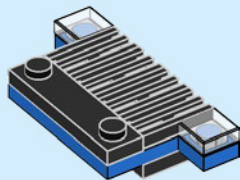


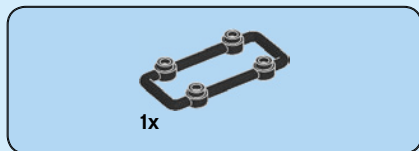
38



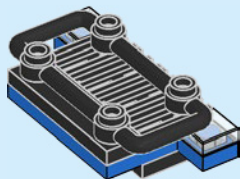
1x

39

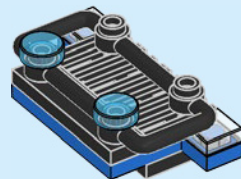




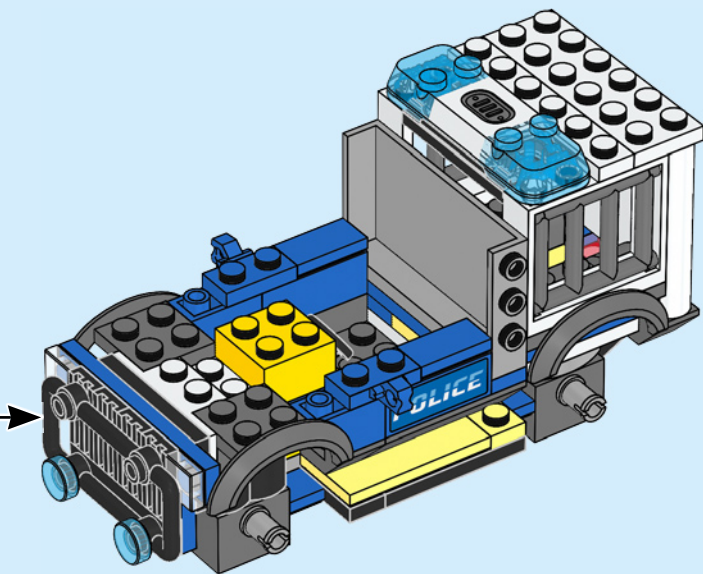
40



41



42

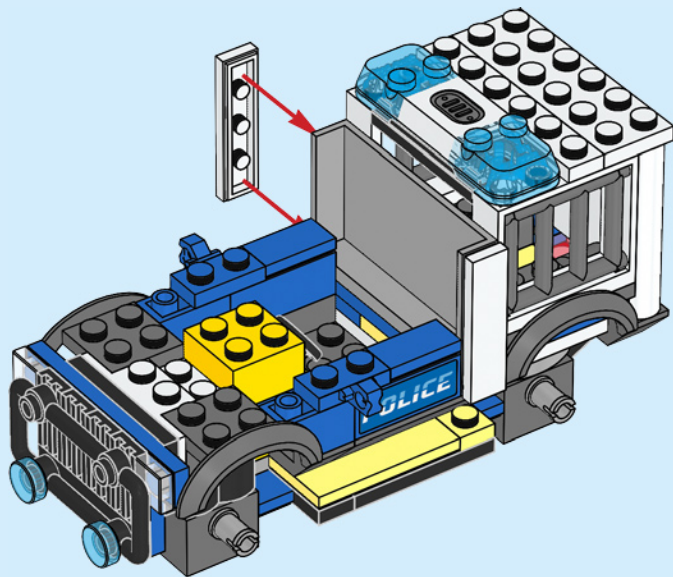


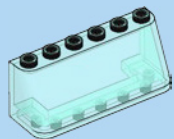




2x

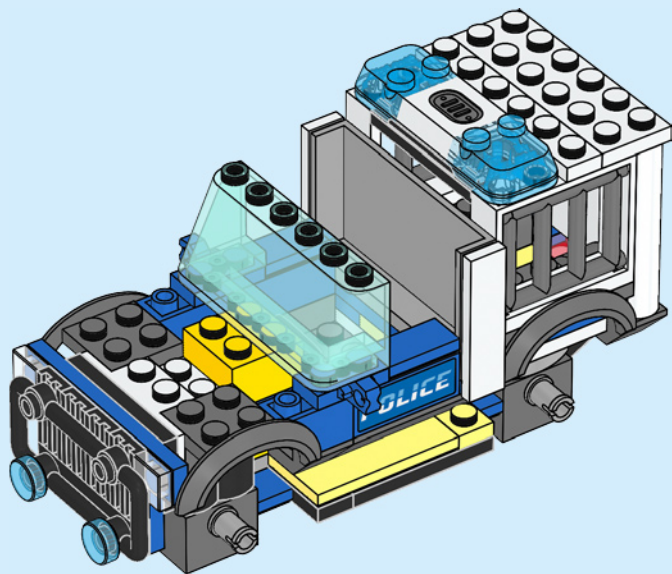
43



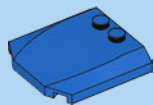


1x

44

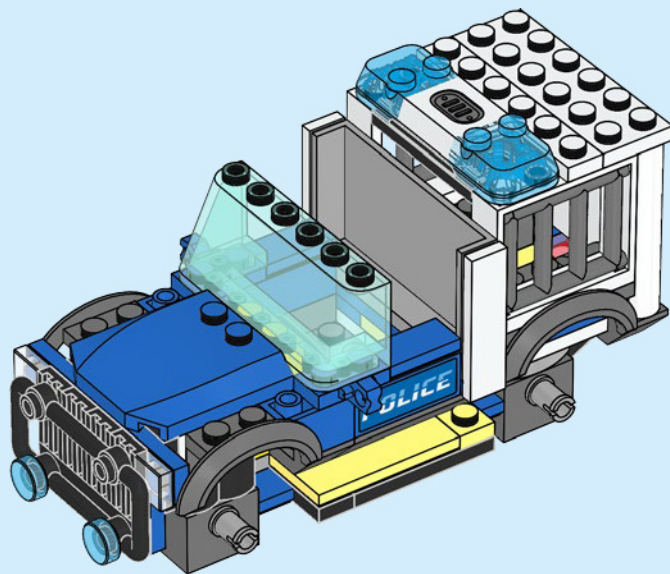


42



1x

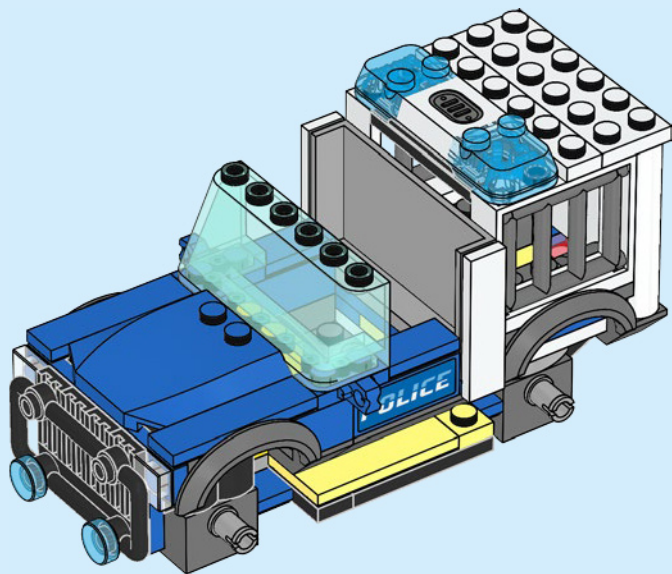
45





2x

46



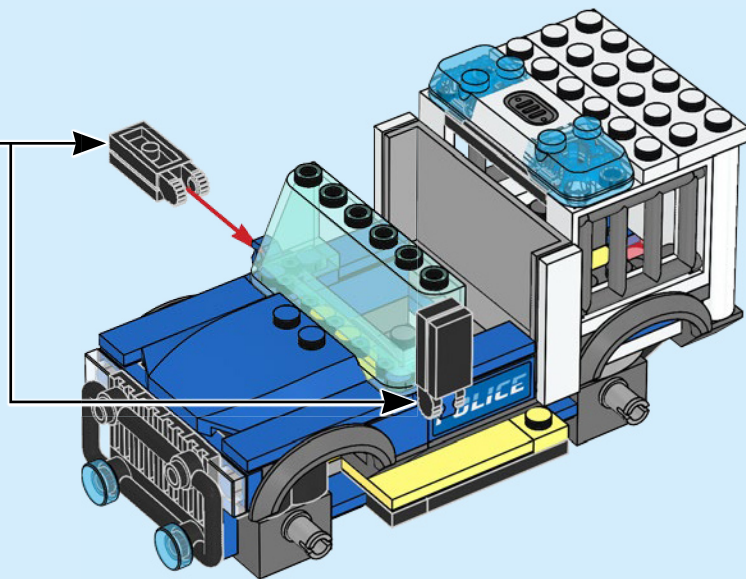
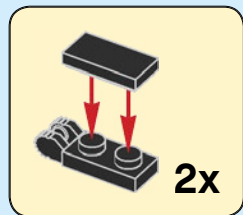


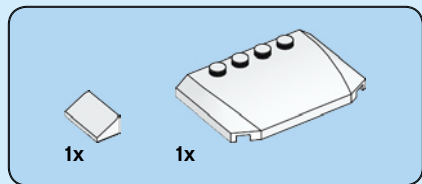
2x



2x

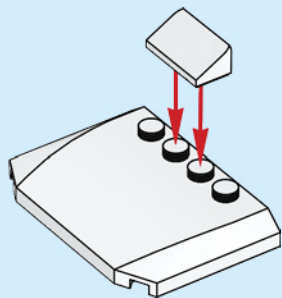
# 47



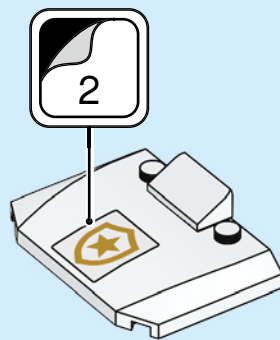


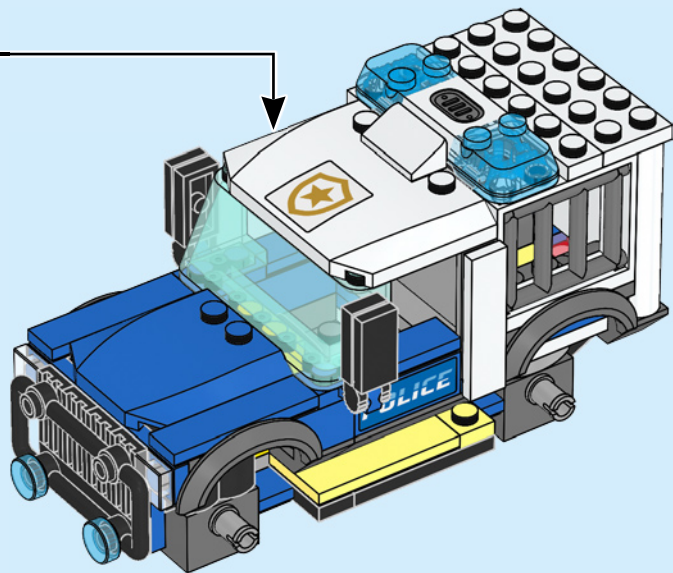
48

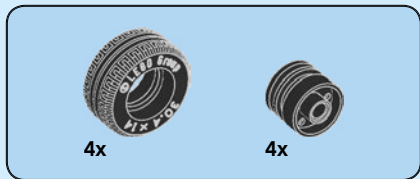
1



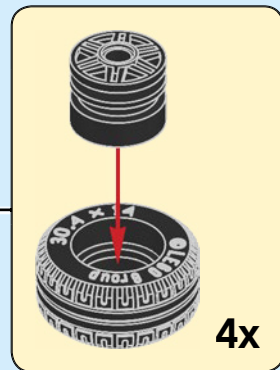
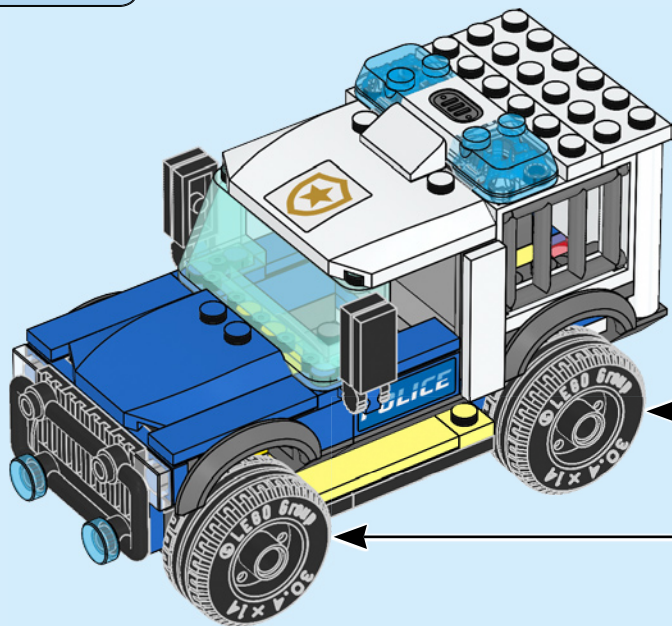
2



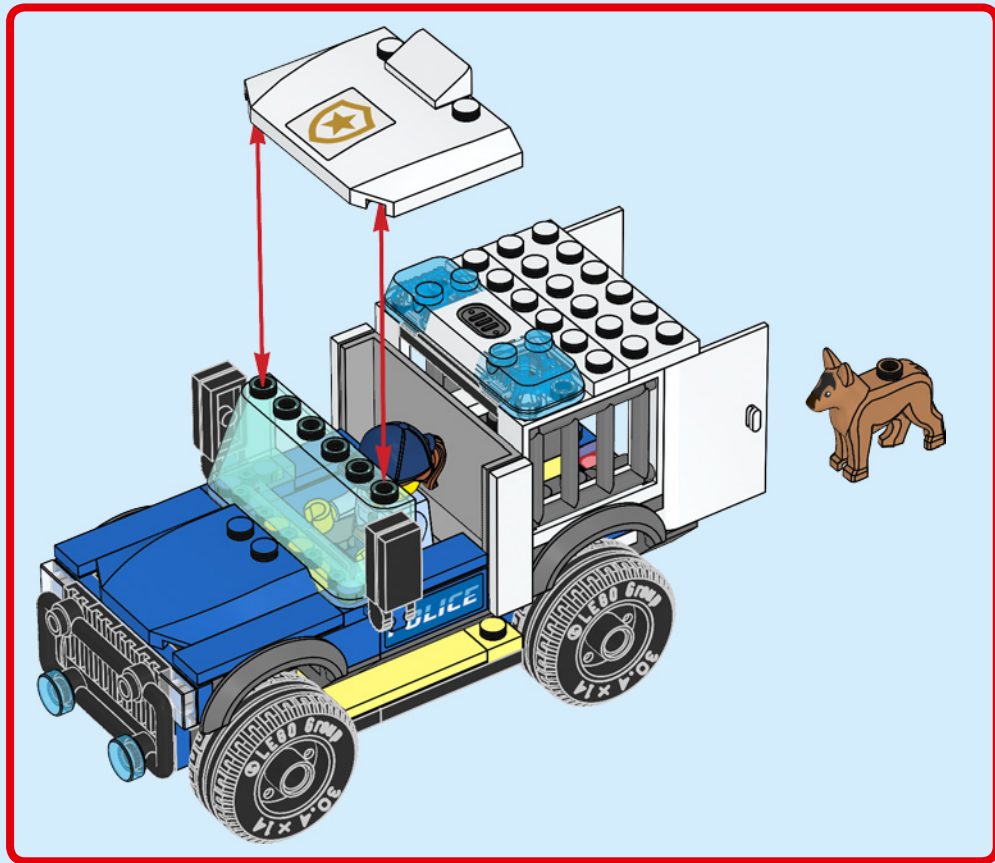




49











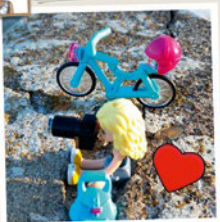
ManagerExcellentCrocodile



KingYummyCheeiah



PrincessBossyRooster



LEGO.com/apps





# CITY





# CITY



**DUKE  
DETAIN**

60242 60246



**SAM  
GRIZZLED**

60243



**ROOKE  
PARTNER**

60244



**TOM  
BENNETT**

60245



**WHEELER**

60246



**CLEMMONS**

60247



**FREYA  
MCLOUD**

60248



**VITO**

60242



**SNAKE  
RATTLER**

60243



**FRANKIE  
LUPELLI**

60244



**BIG  
BETTY**

60245



**DAISY  
KABOOM**

60246



**TREAD  
OCTANE**

60258



**HARL  
HUBBS**

60258



# LEGO® CITY EXPLORERS

 [LEGO.com/apps](http://LEGO.com/apps)



60226



60225



60227



60224



60228



NASA Insignia and Identifiers provided by and used with permission of NASA





# CITY



LEGO and the LEGO logo are trademarks of the LEGO Group. ©2020 The LEGO Group. 6310888

60254



60249



60250



60251



60252



60253



60267