

HOOD TYPE	D1	D2
450	448	348
500	498	398
550	548	448
600	598	498
700	698	598
800	798	698
900	898	798

Created by **Galassi, Raffaele**

Denomination

**DIMENSIONAL DRAWING FILTER 45/90**

Lang **EN** Sheet **1/3**

Modif.by **Crudo, Alexander**

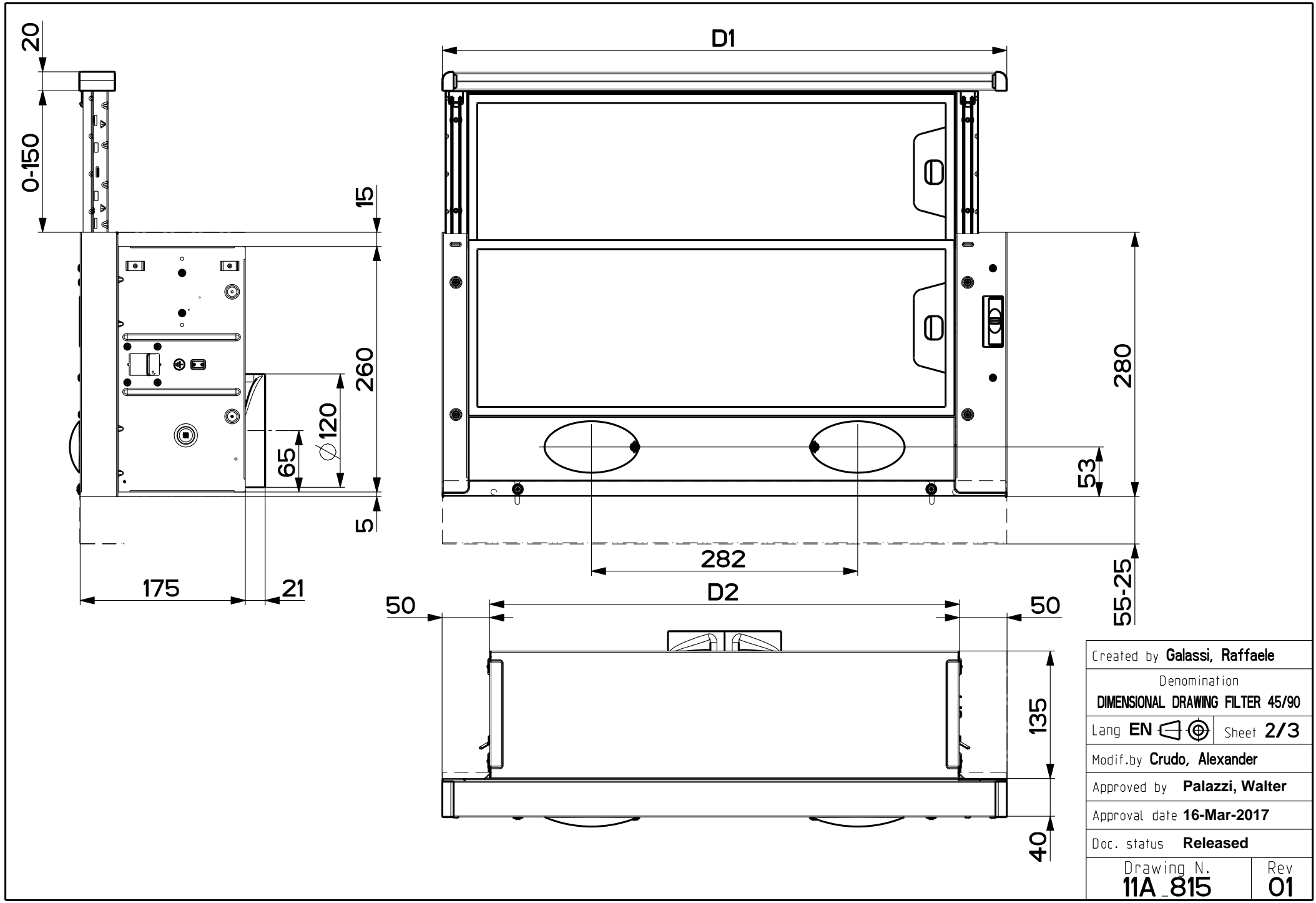
Approved by **Palazzi, Walter**

Approval date **16-Mar-2017**

Doc. status **Released**

Drawing N.  
**11A\_815**

Rev  
**01**



Created by <b>Galassi, Raffaele</b>	
Denomination <b>DIMENSIONAL DRAWING FILTER 45/90</b>	
Lang <b>EN</b>	Sheet <b>2/3</b>
Modif.by <b>Crudo, Alexander</b>	
Approved by <b>Palazzi, Walter</b>	
Approval date <b>16-Mar-2017</b>	
Doc. status <b>Released</b>	
Drawing N. <b>11A_815</b>	Rev <b>01</b>

