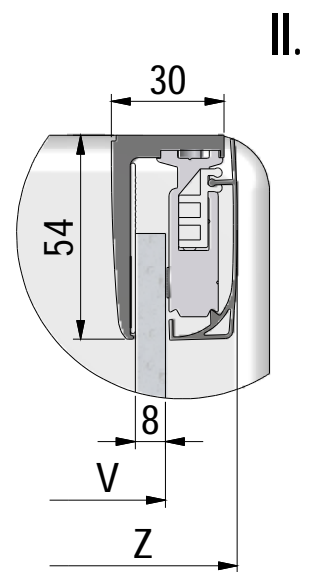
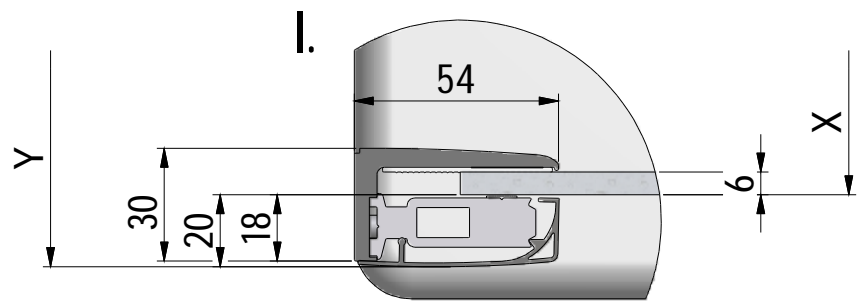
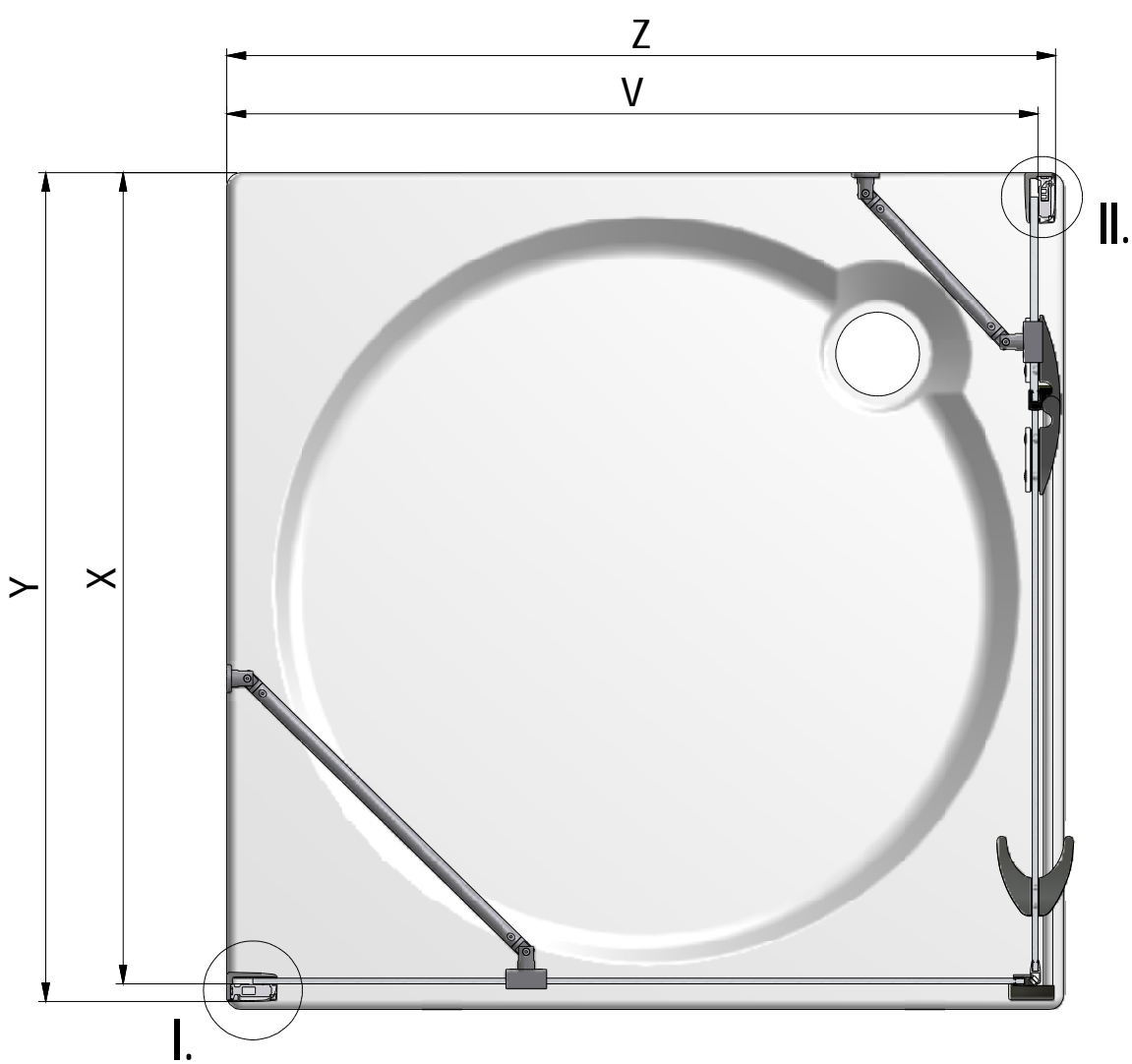


# GBL+GDOP1

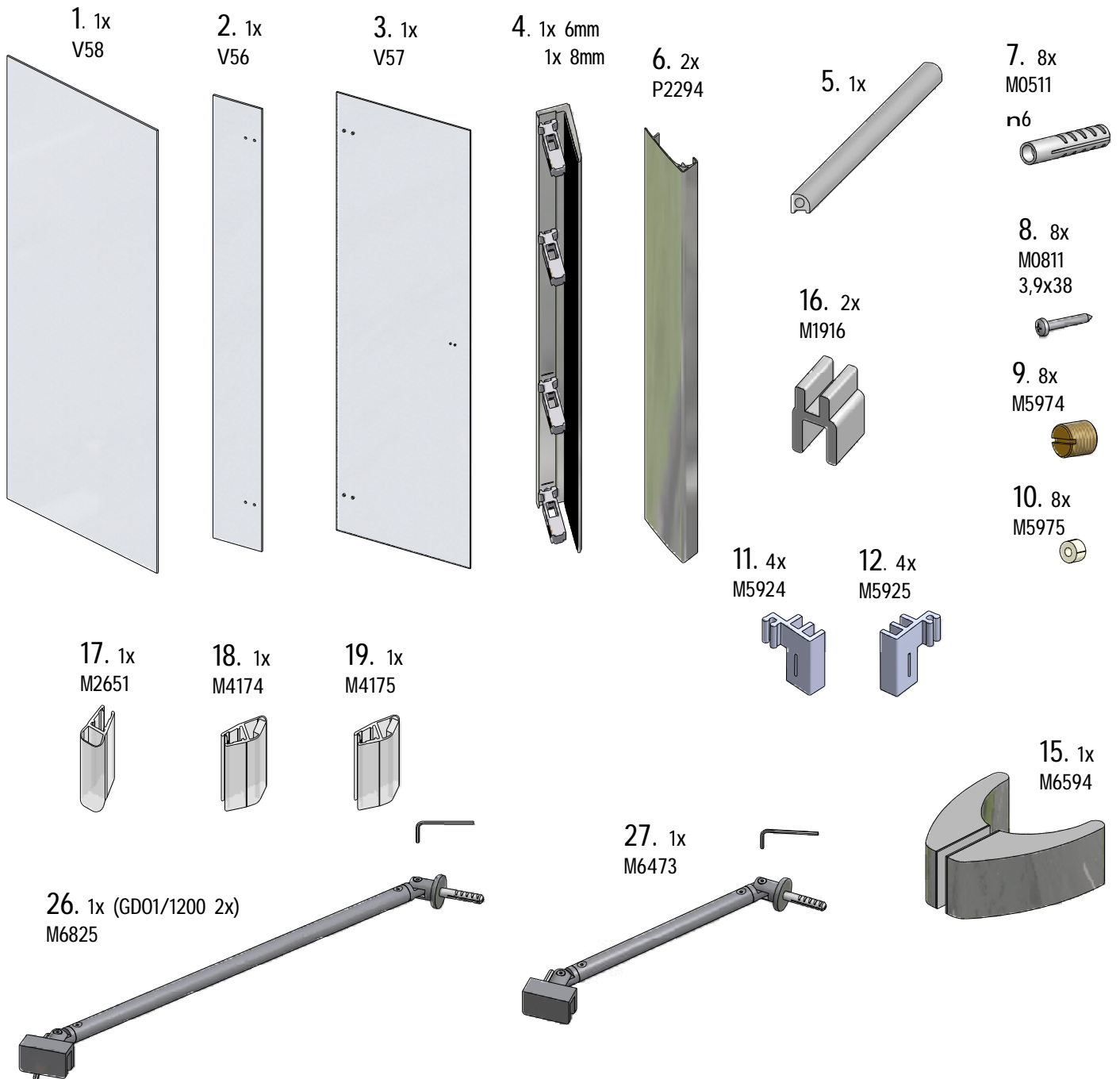


# GDOL1+GBP

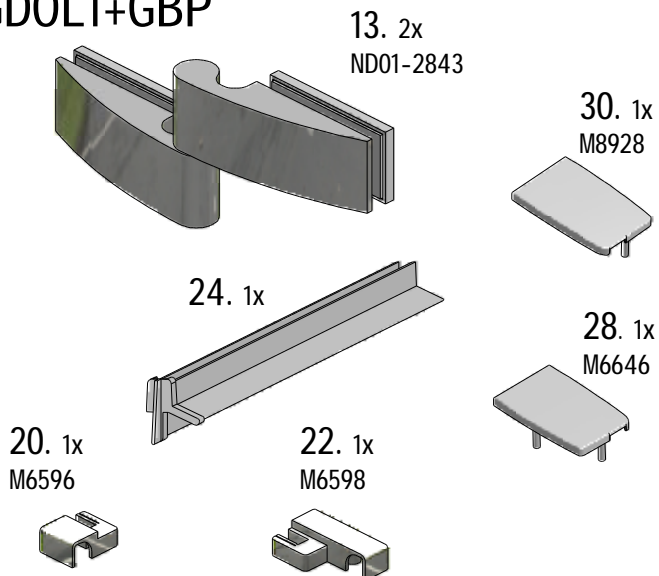




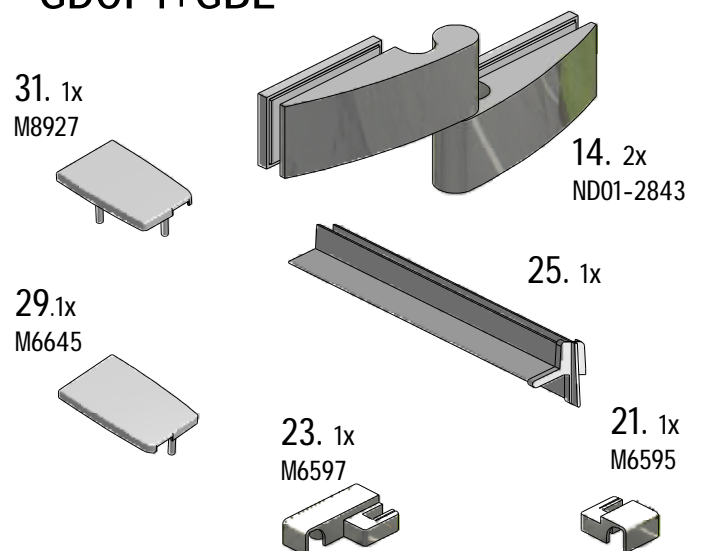
	X (mm)		Y (mm)		Z (mm)		V (mm)	
	MIN	MAX	MIN	MAX	MIN	MAX	MIN	MAX
900x900	855	880	875	900	855	880	875	900

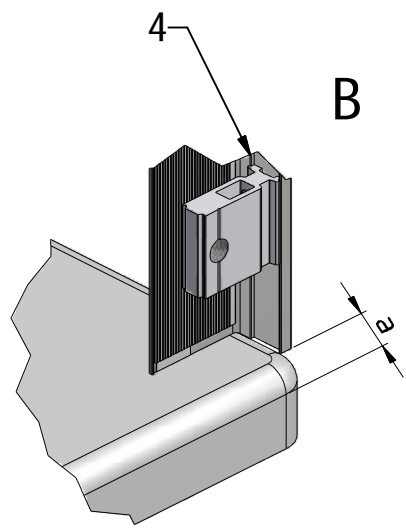
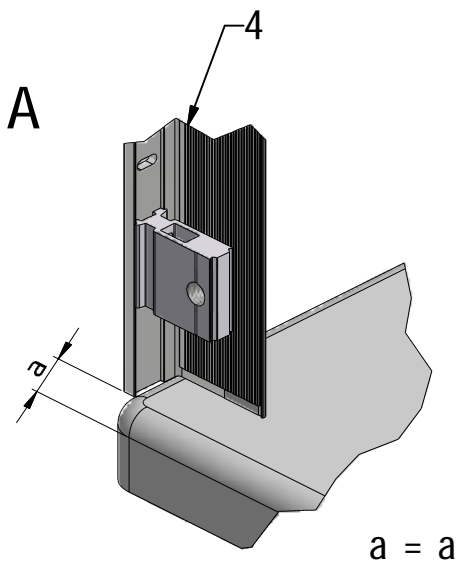
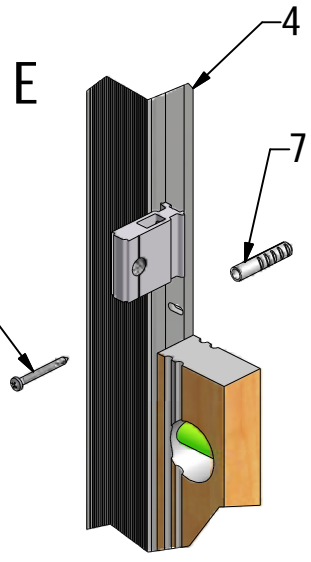
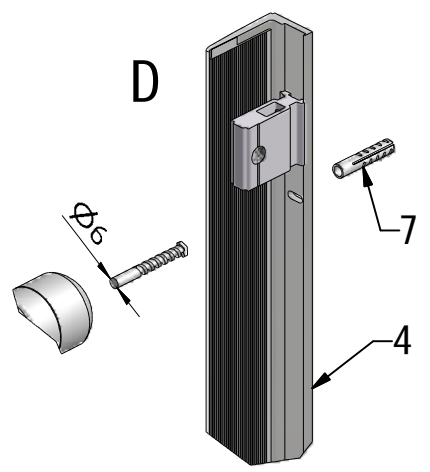
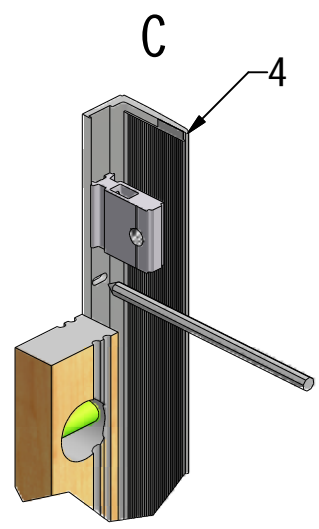
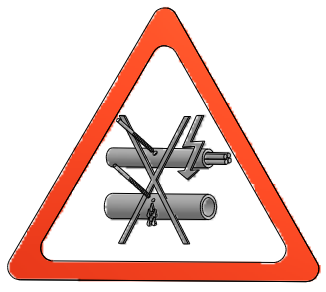
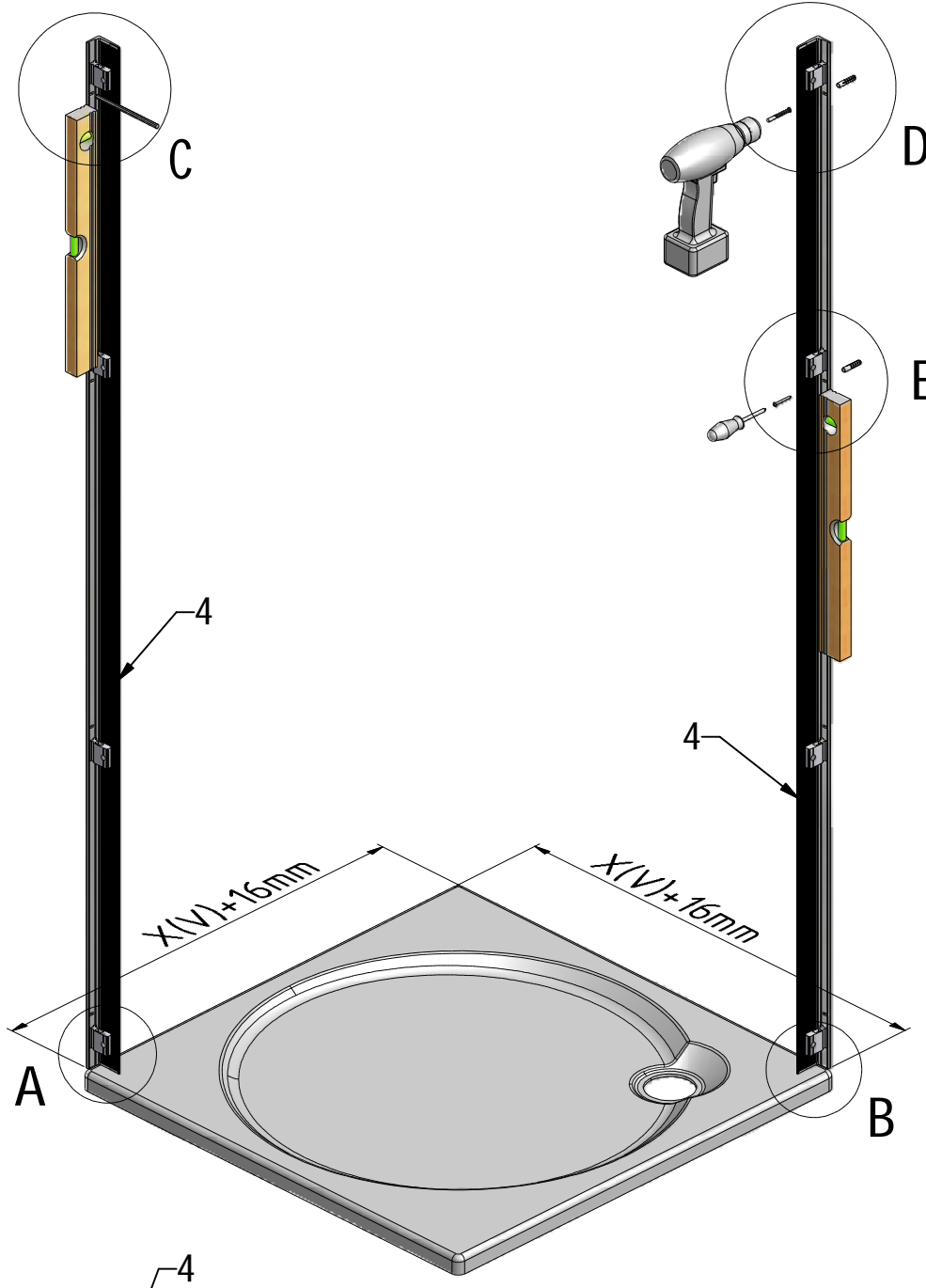


### GDOL1+GBP

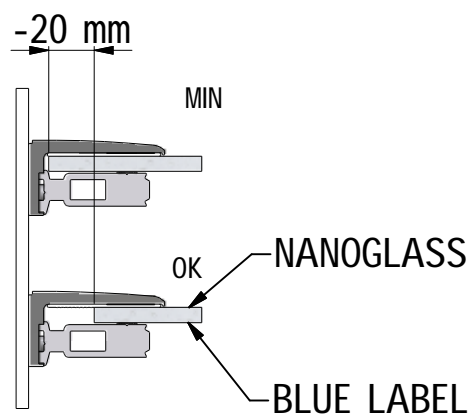
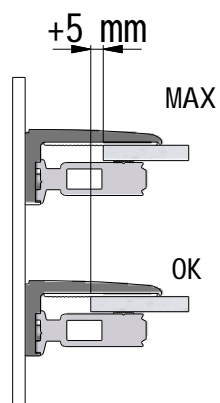
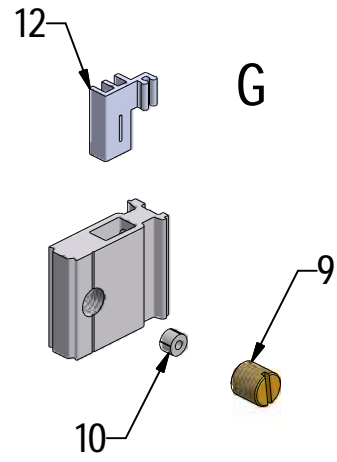
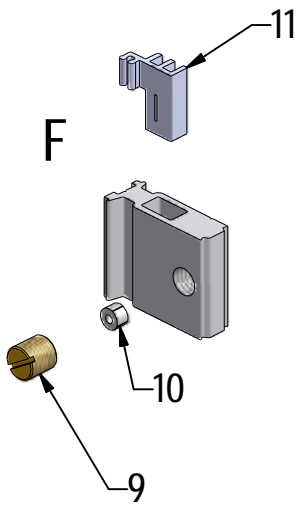
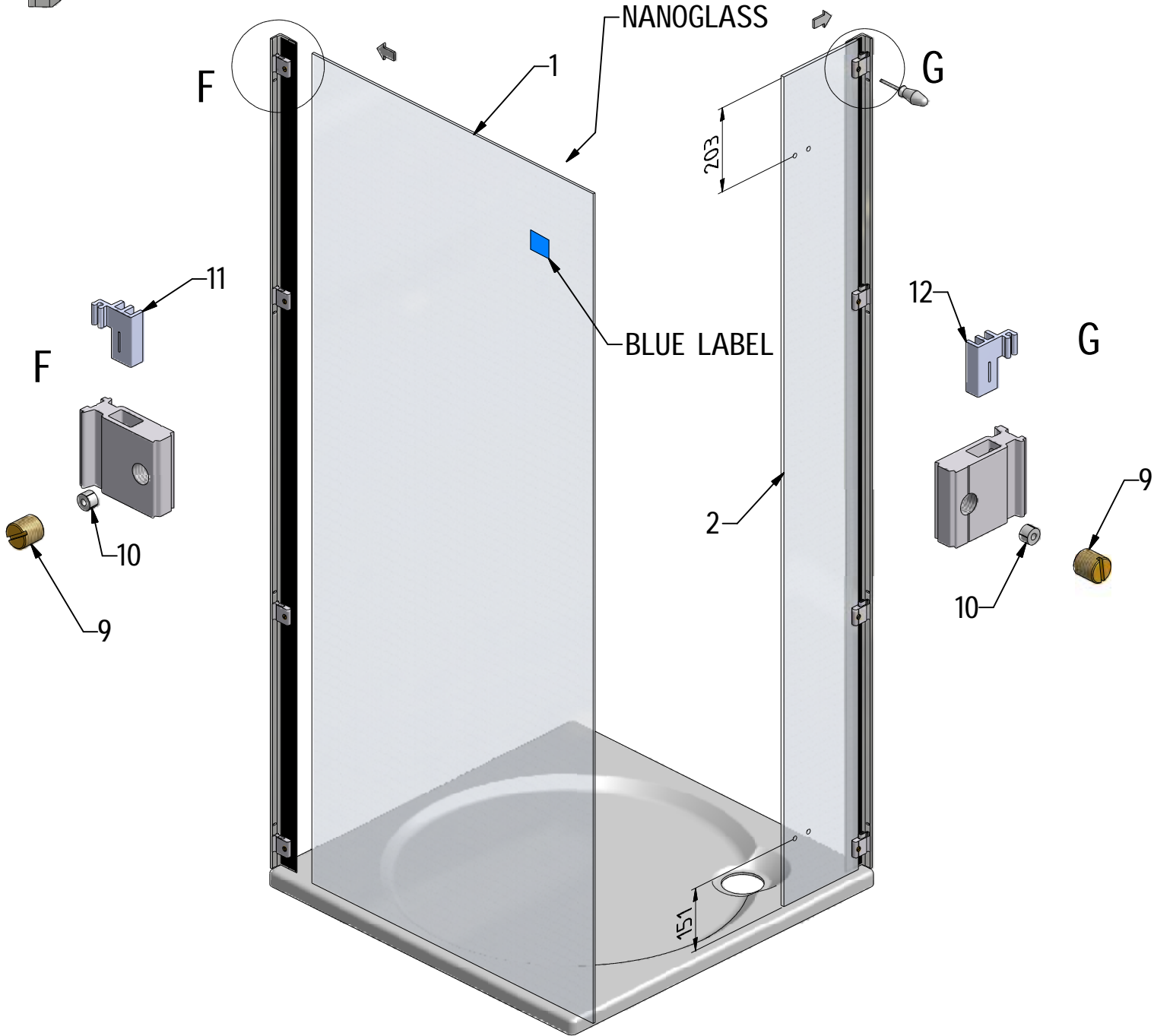
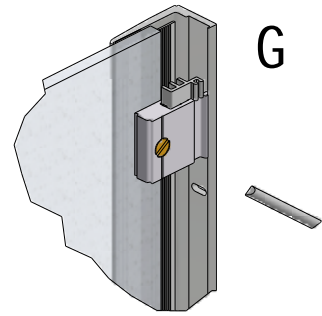
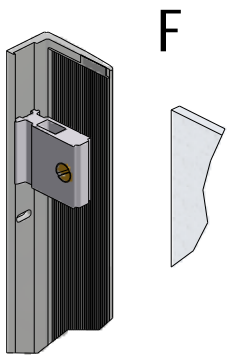


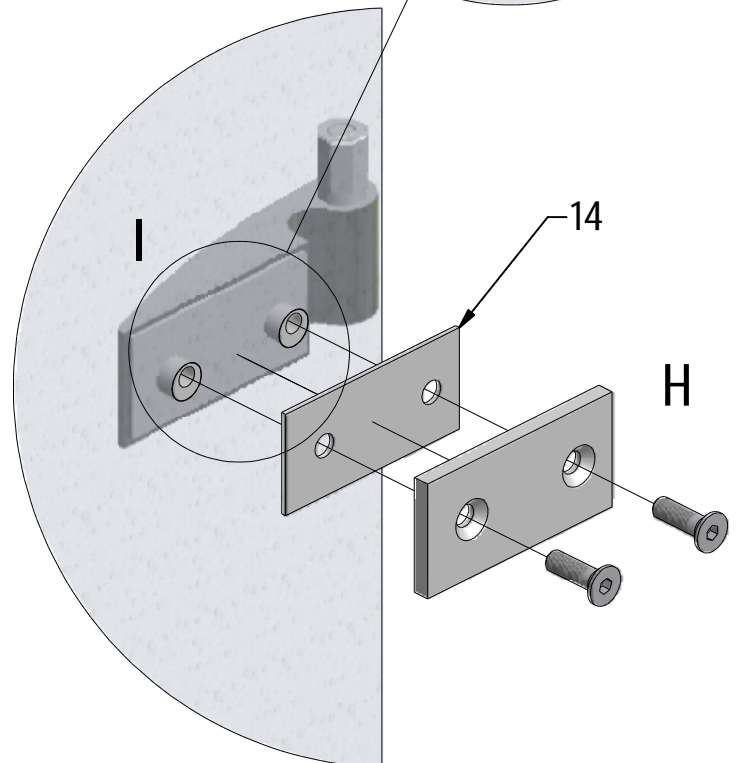
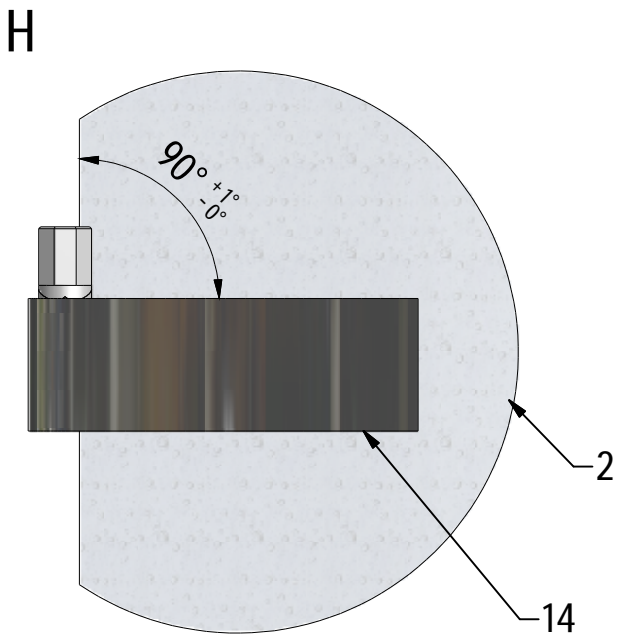
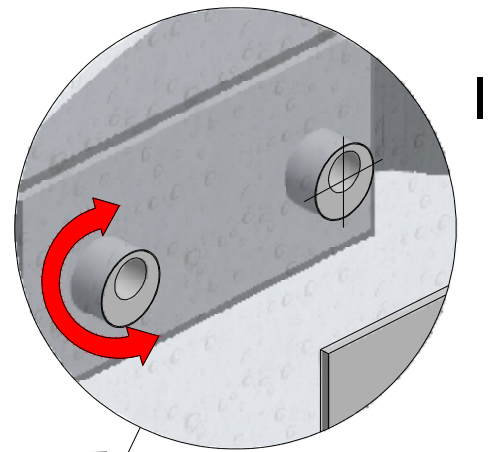
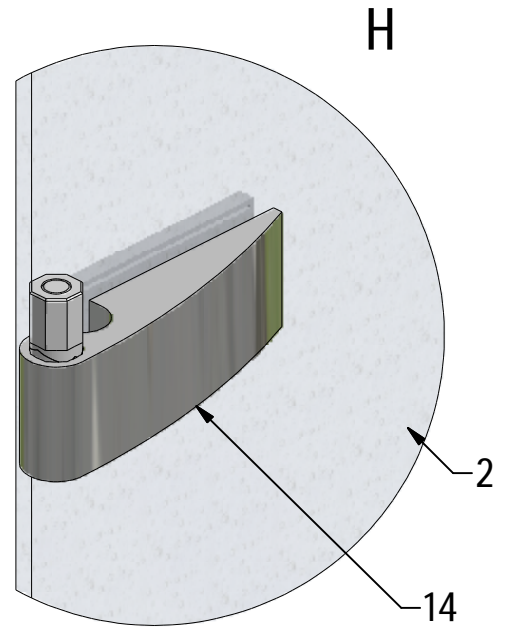
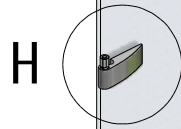
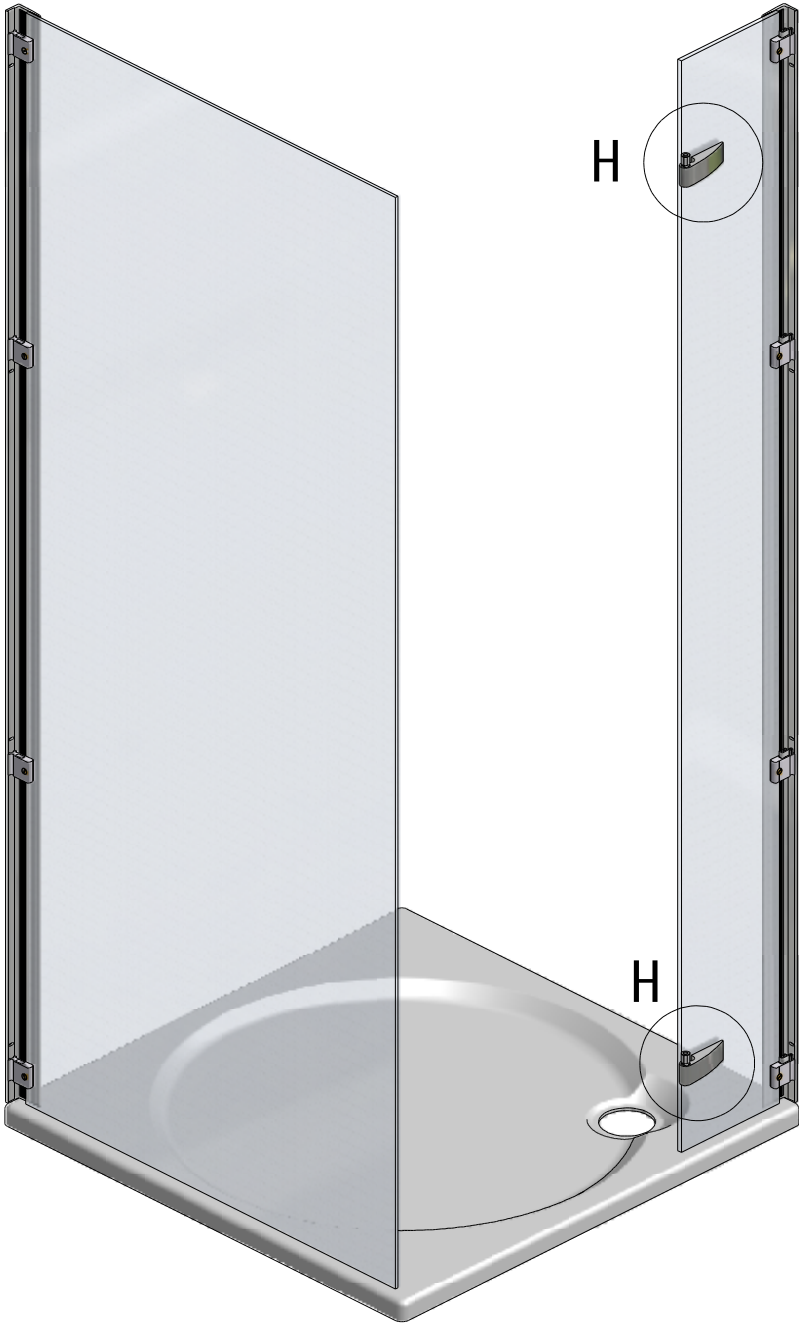
### GDOP1+GBL

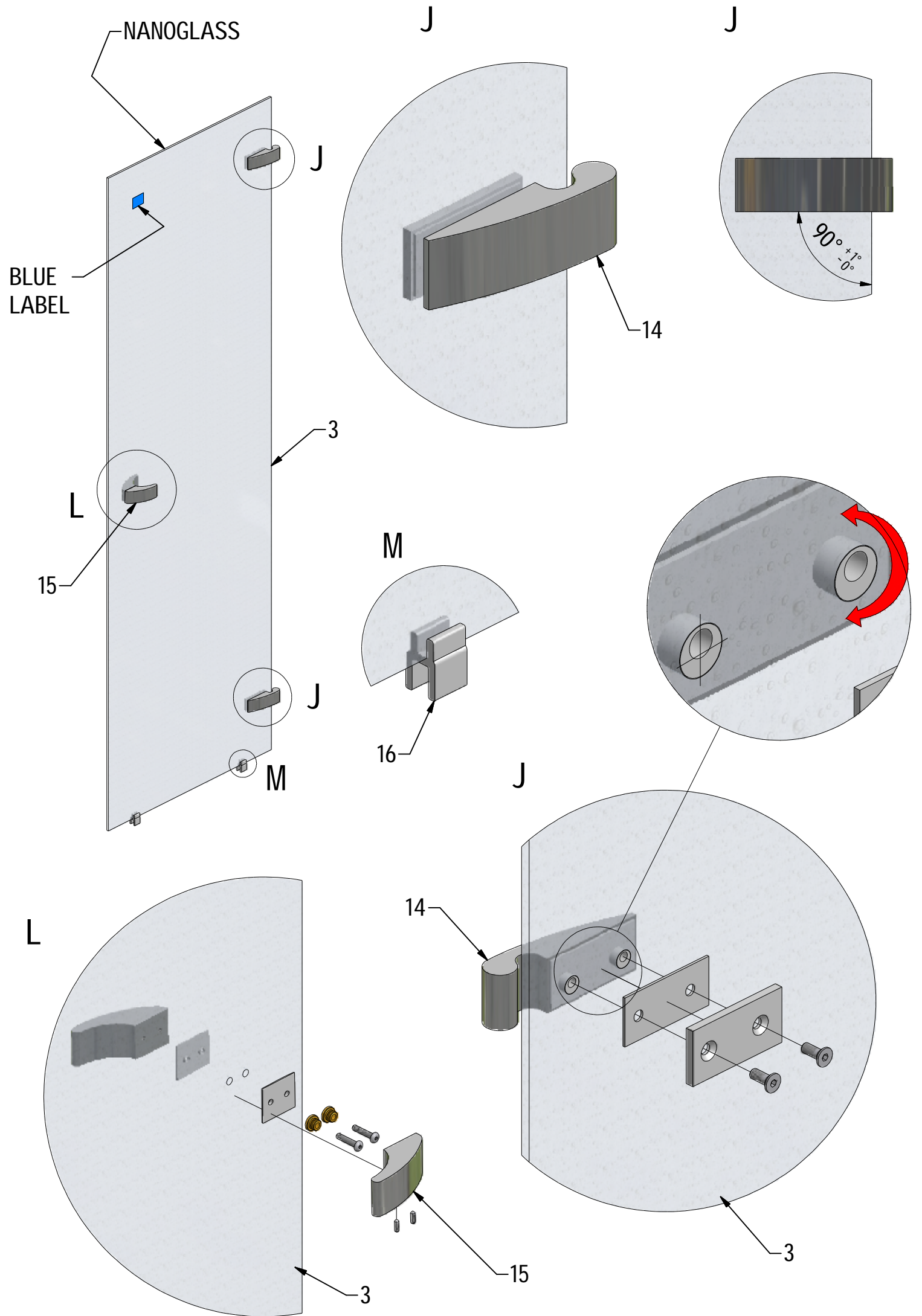


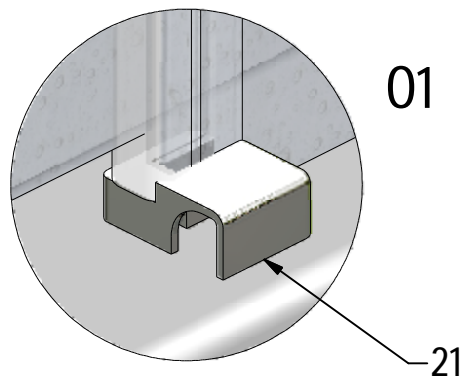
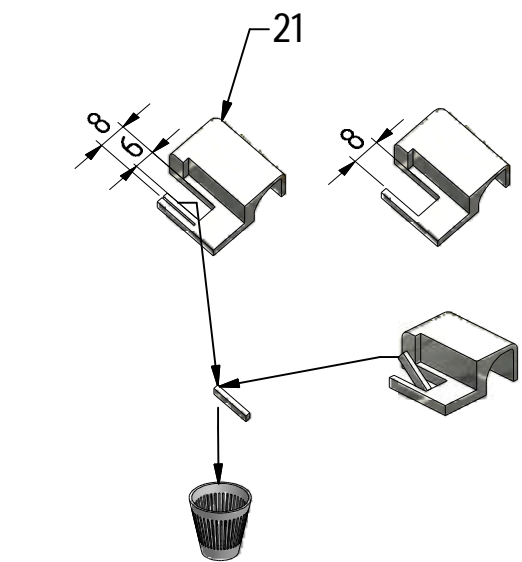
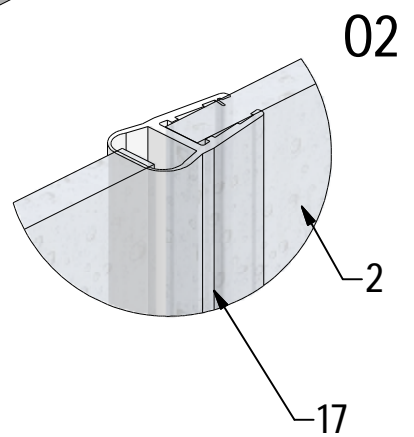
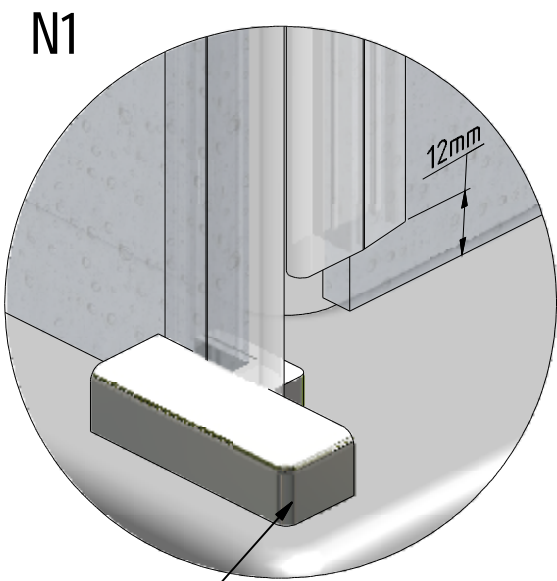
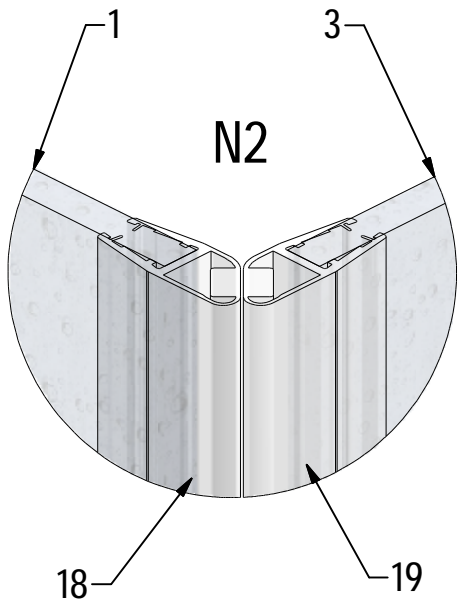


$a = a$

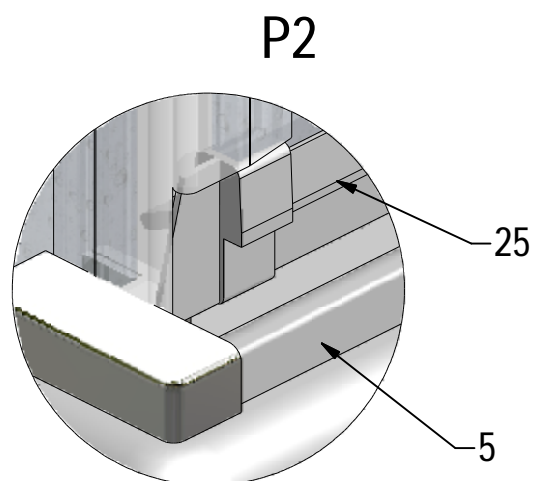
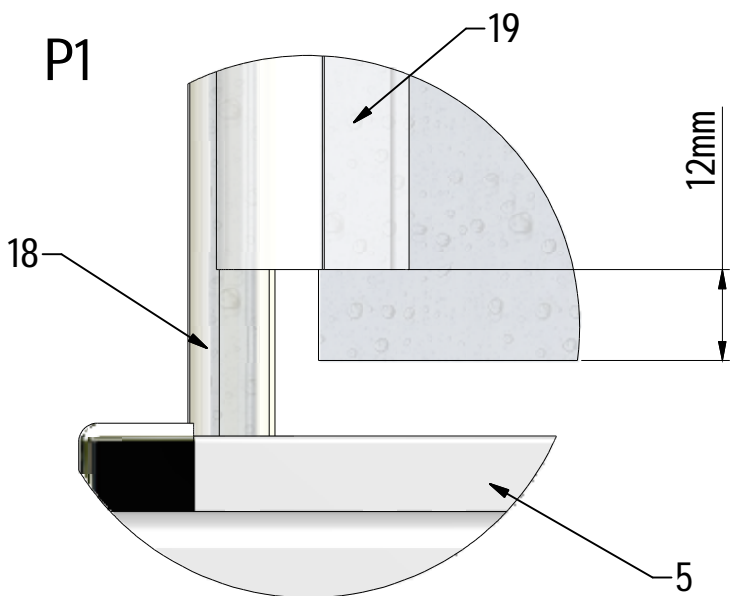
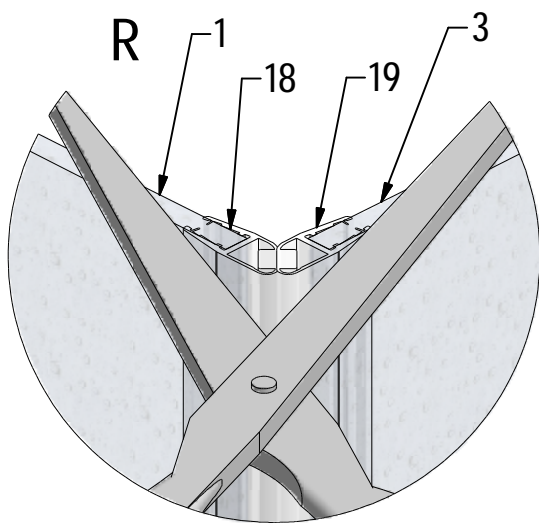
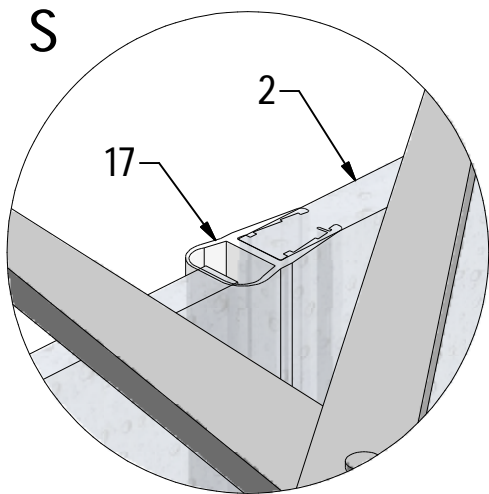
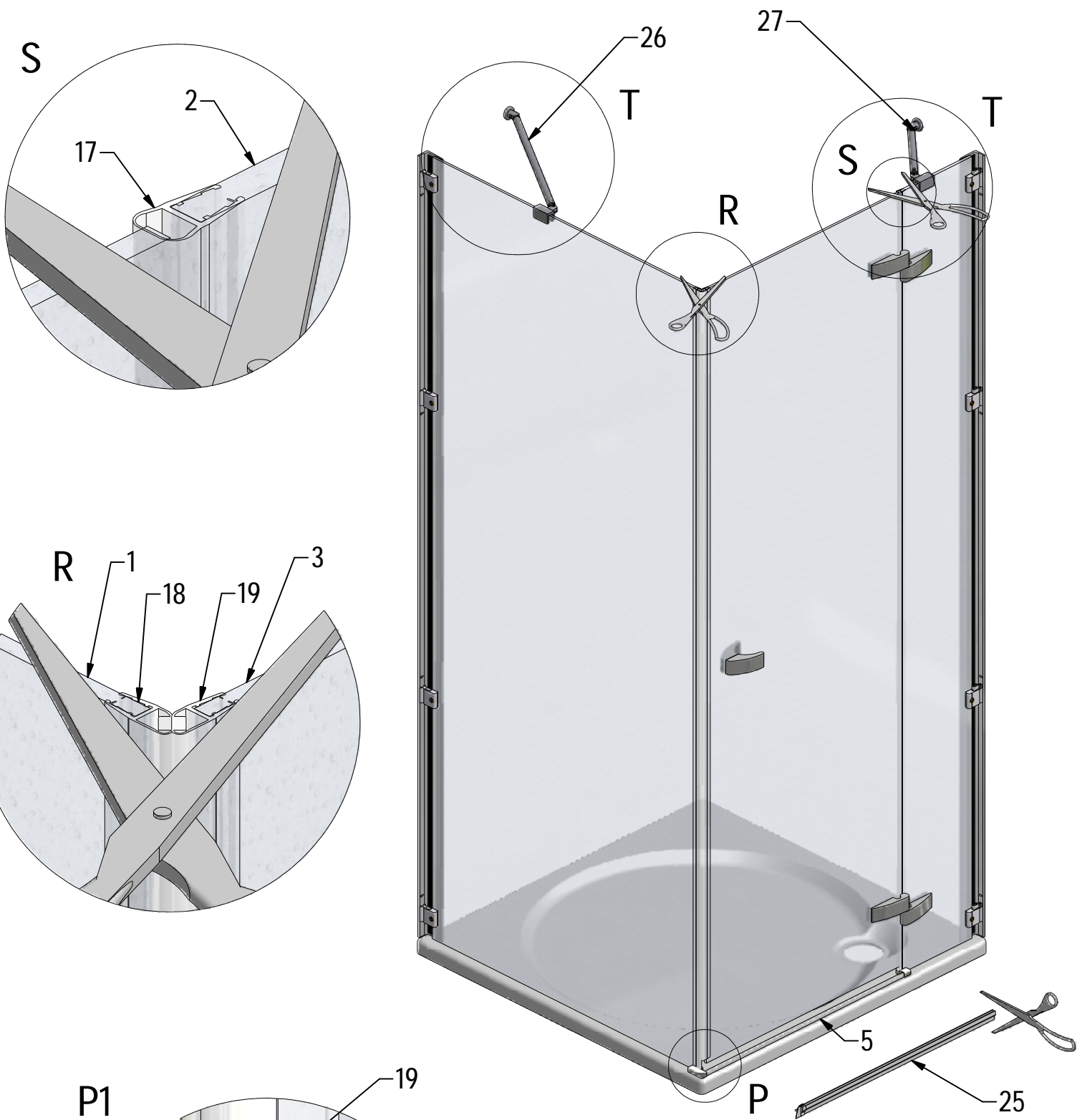


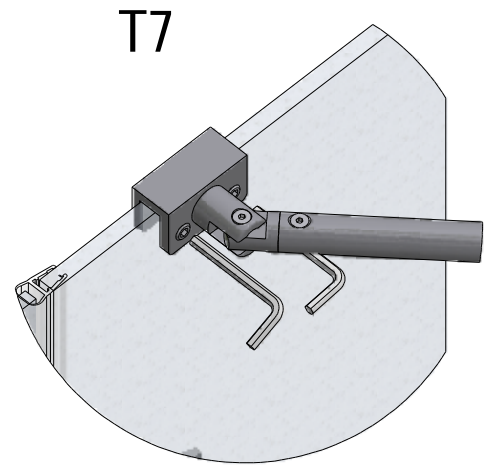
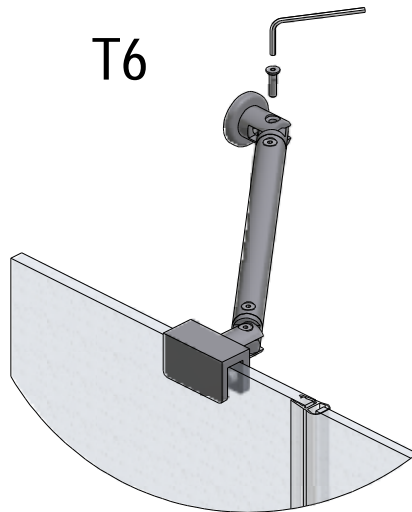
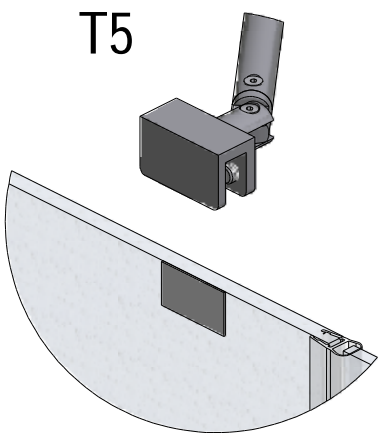
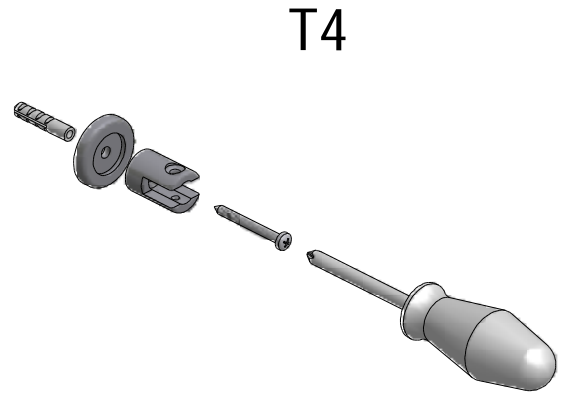
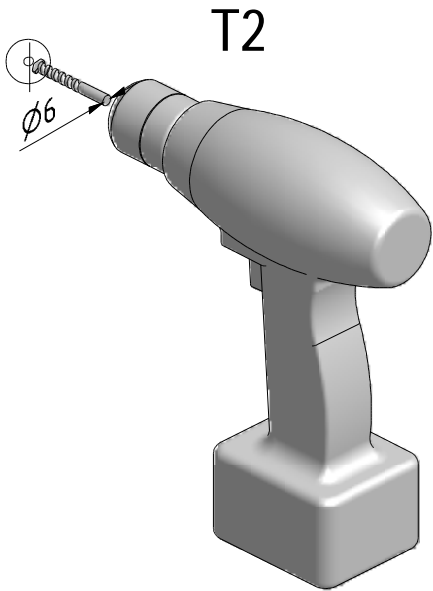
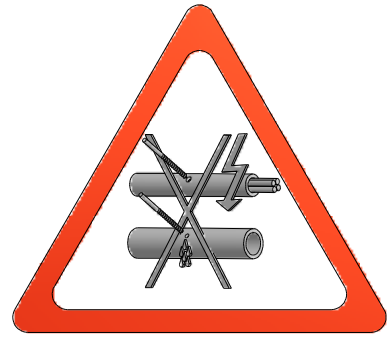
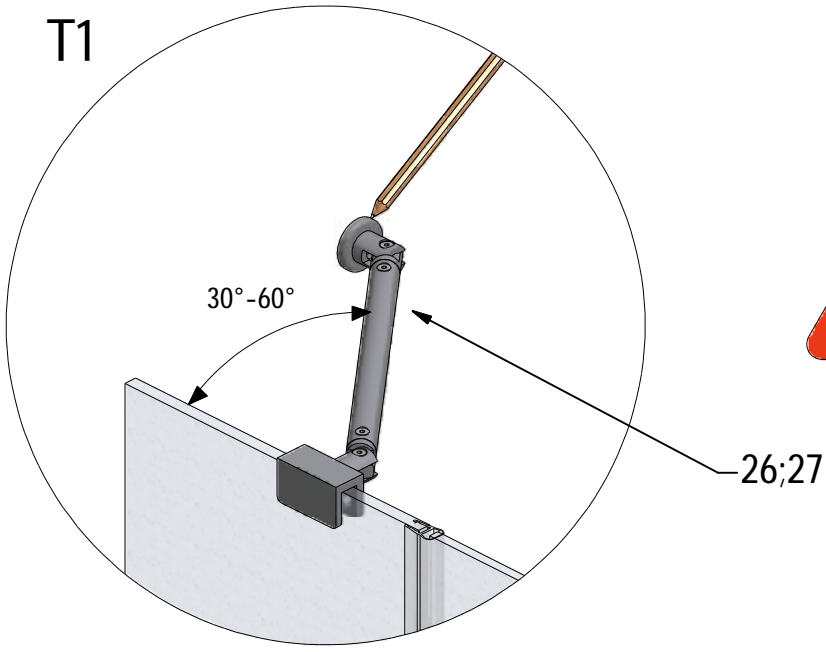




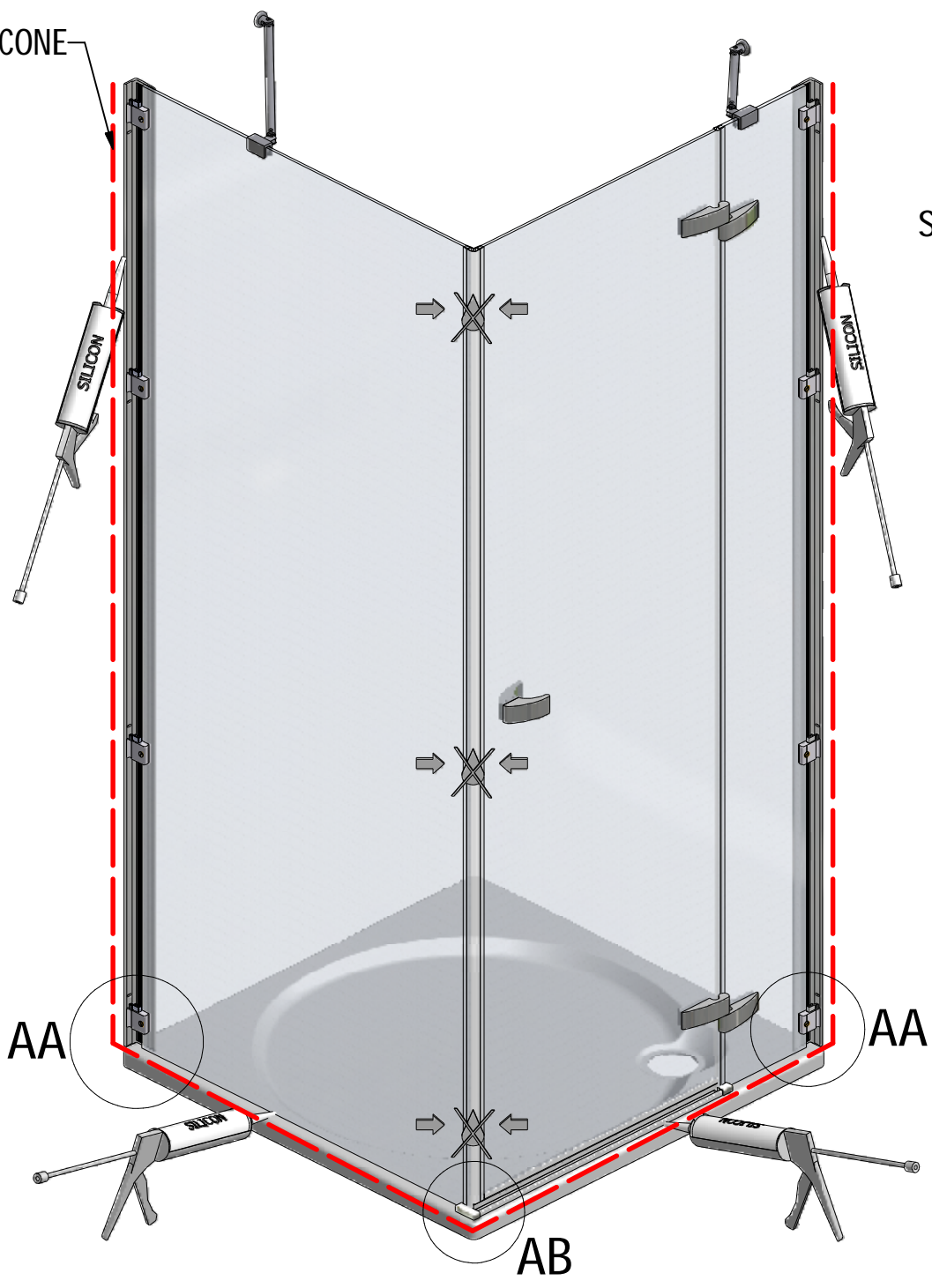




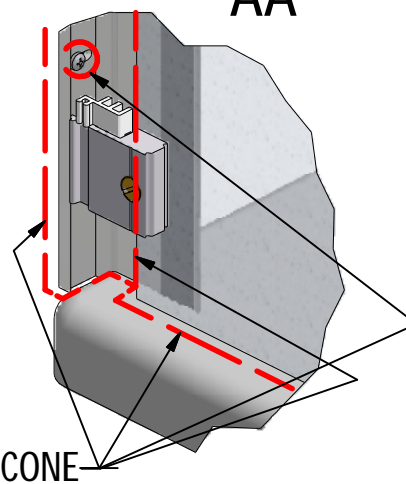




SILICONE



AA



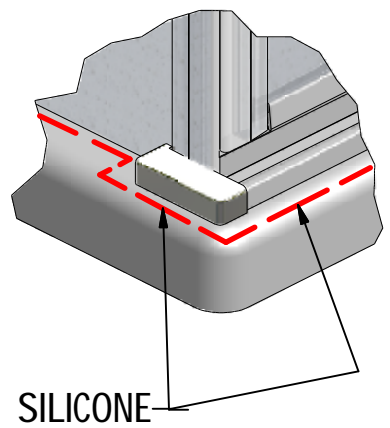
SILICONE

AA

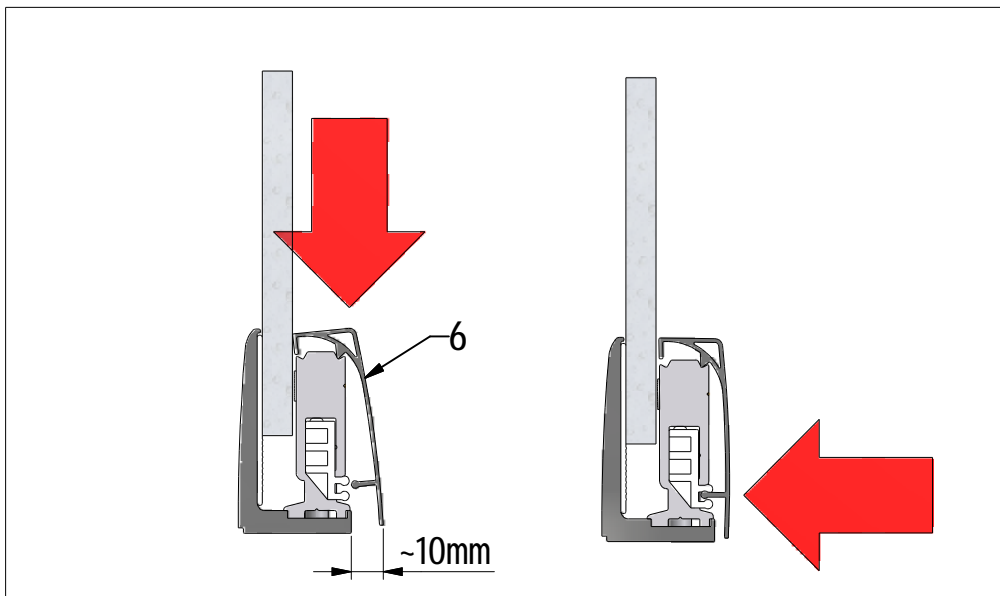
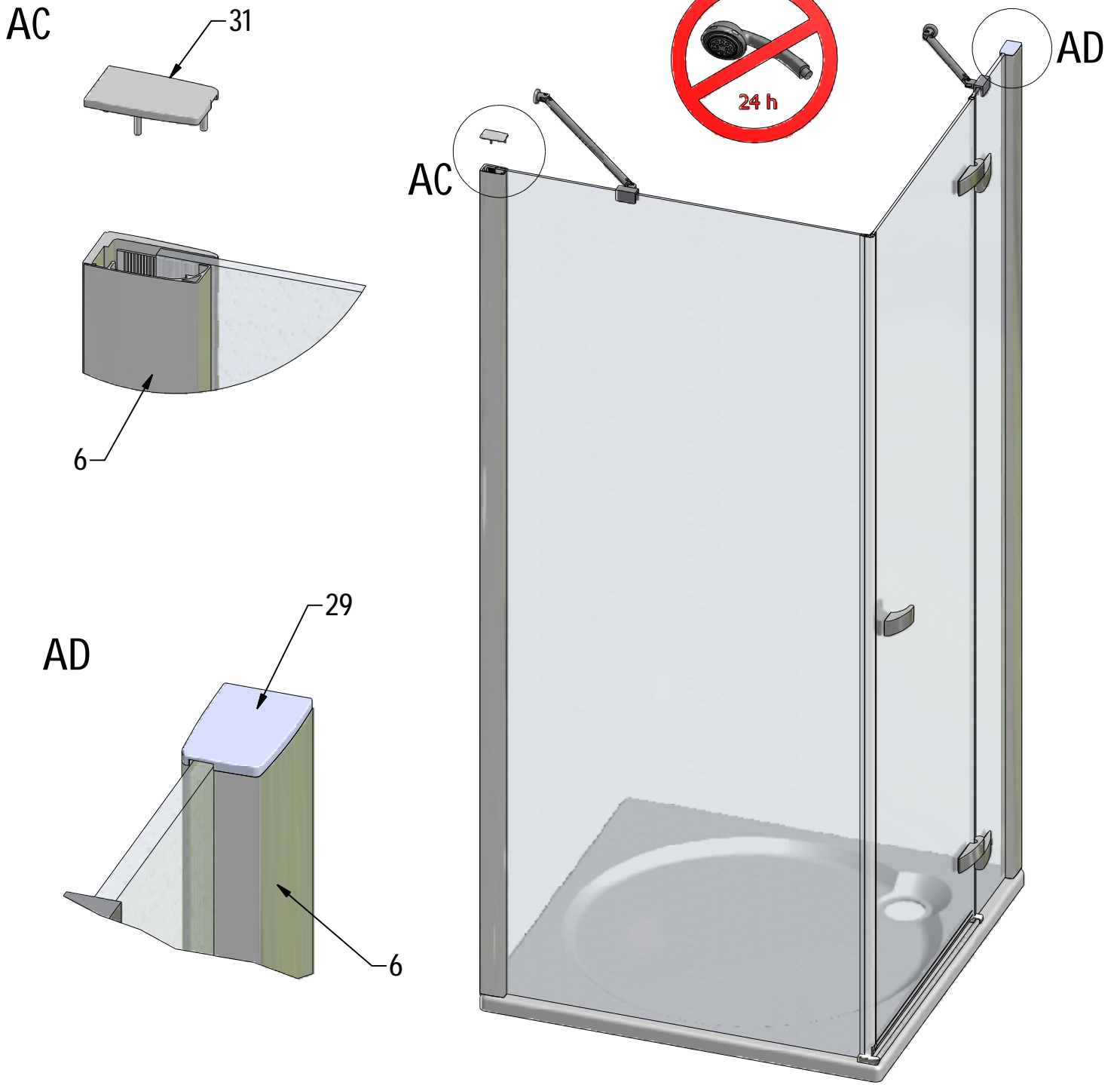
AA

AB

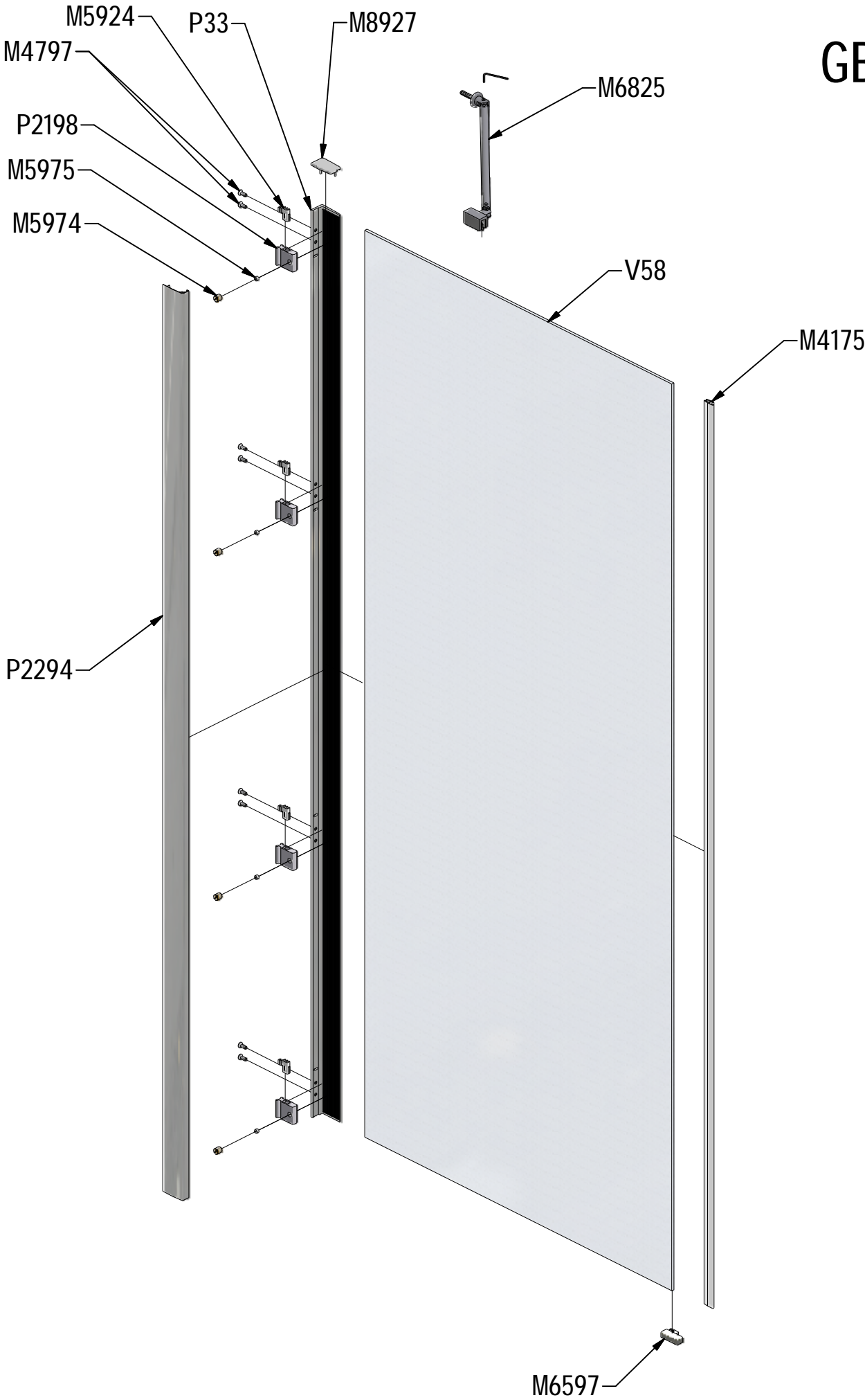
AB



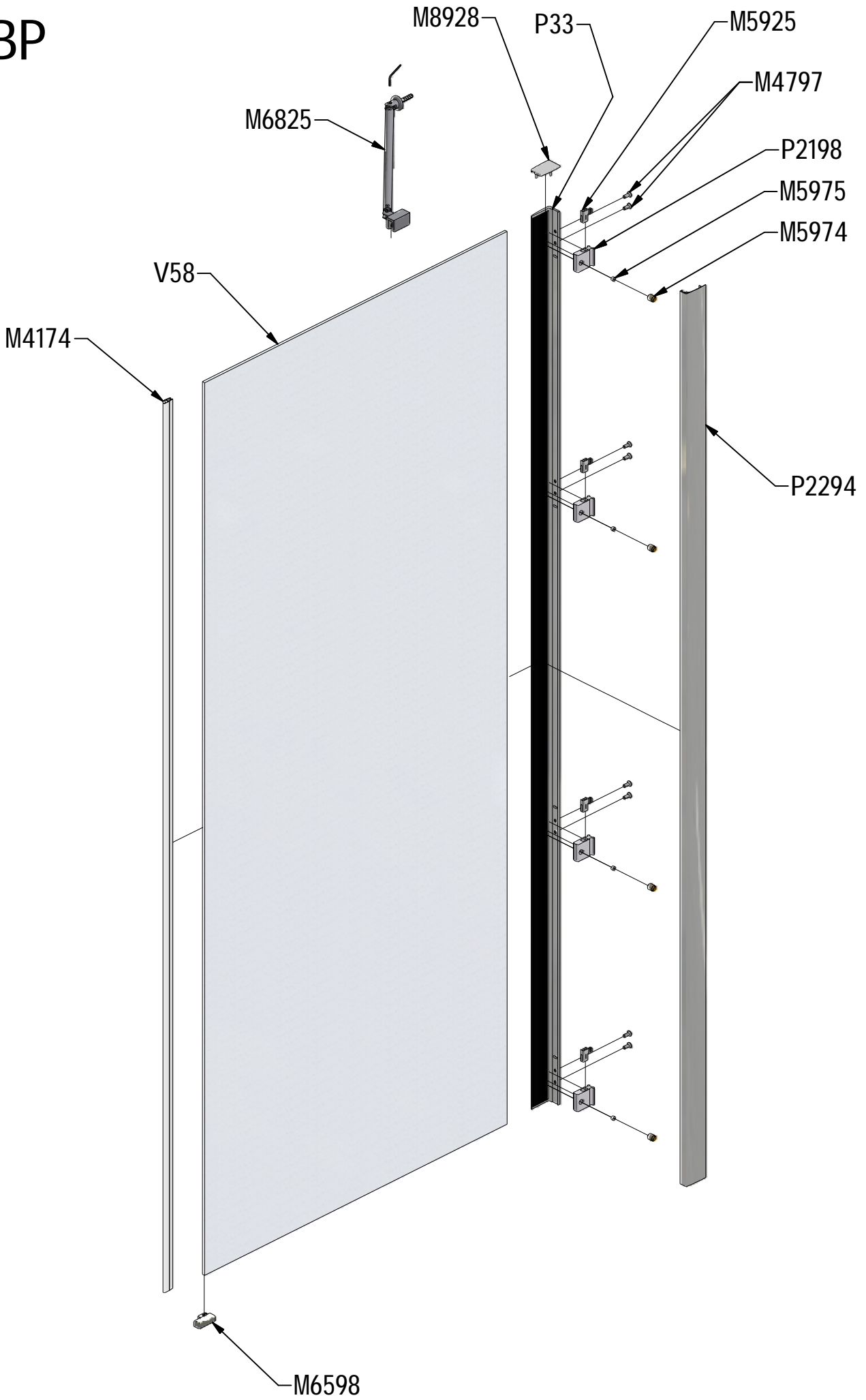
SILICONE



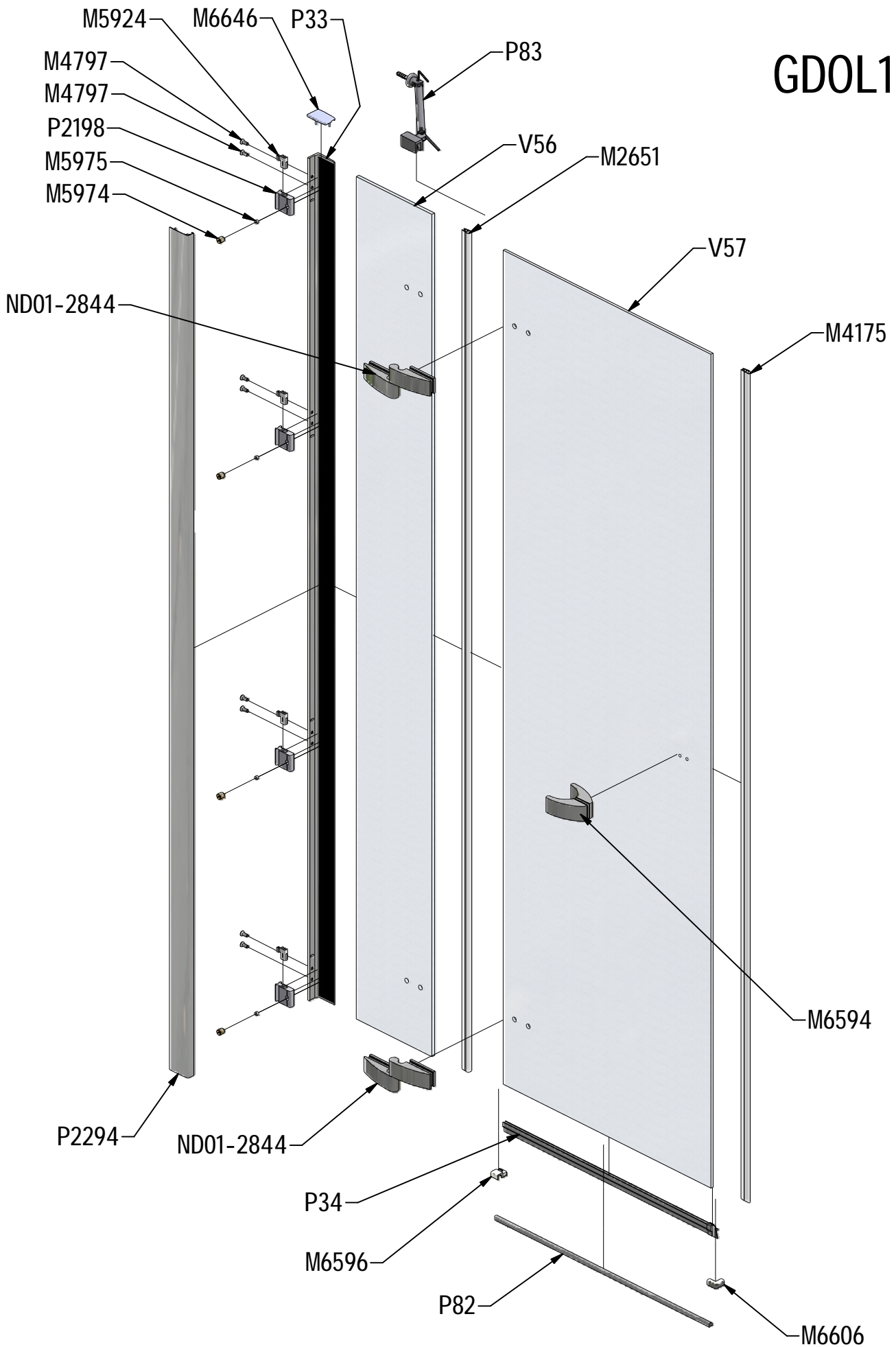
GBL



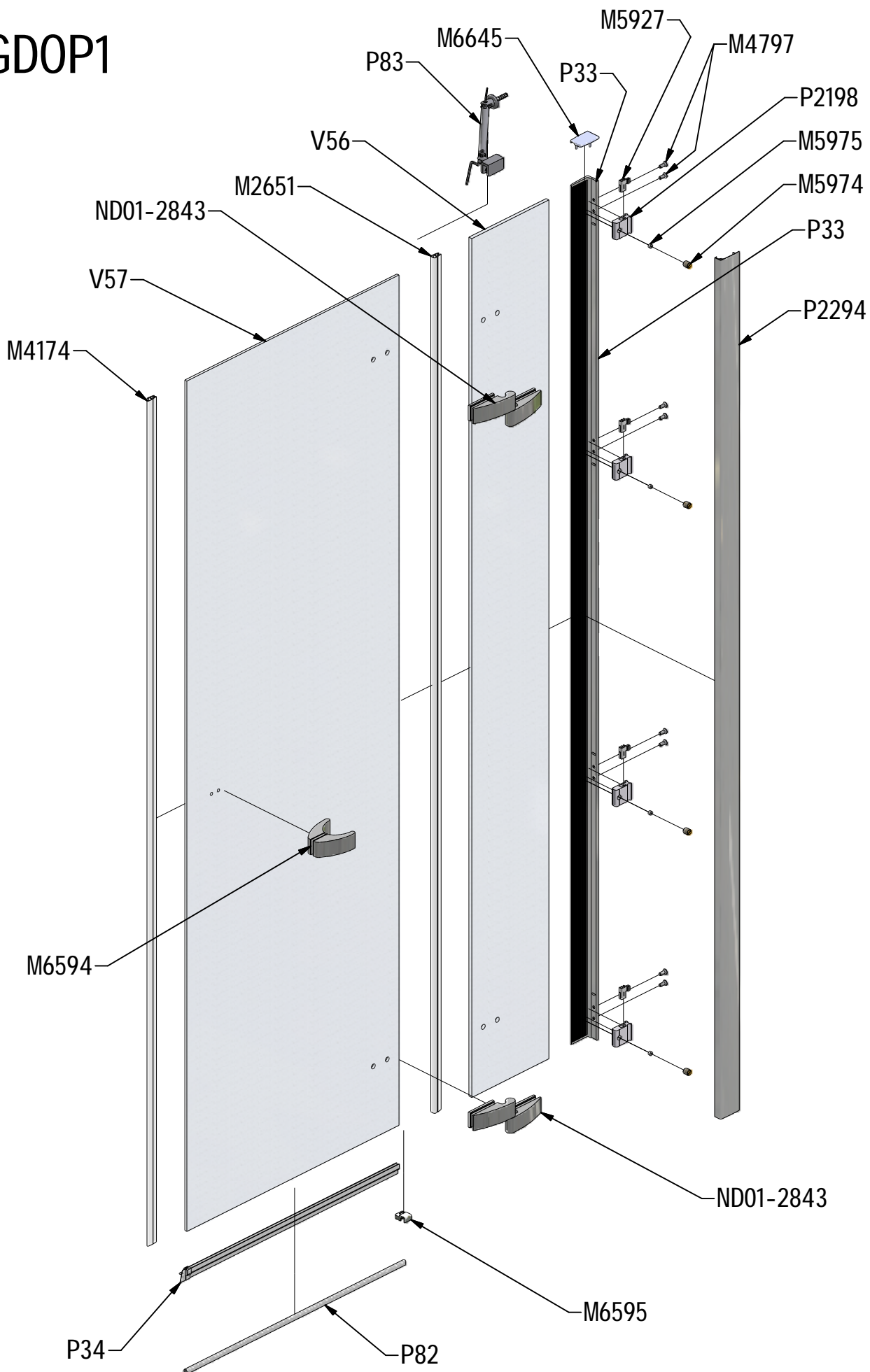
# GBP



# GD0L1

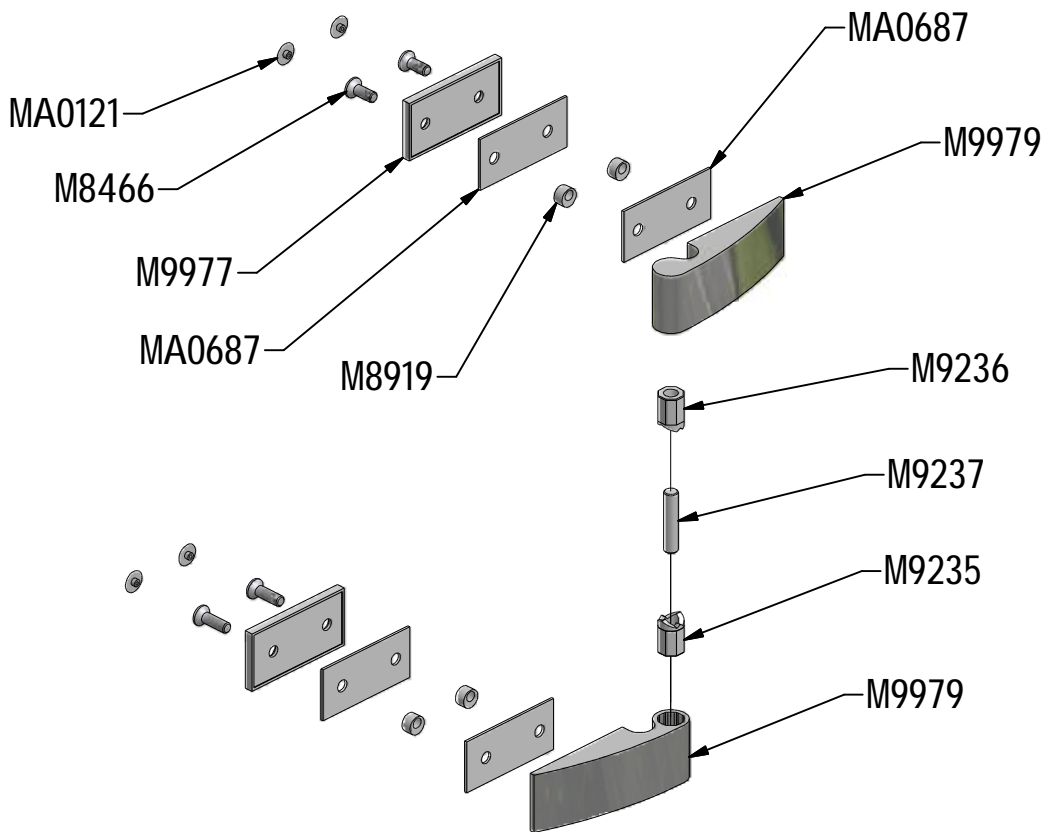


# GDOP1

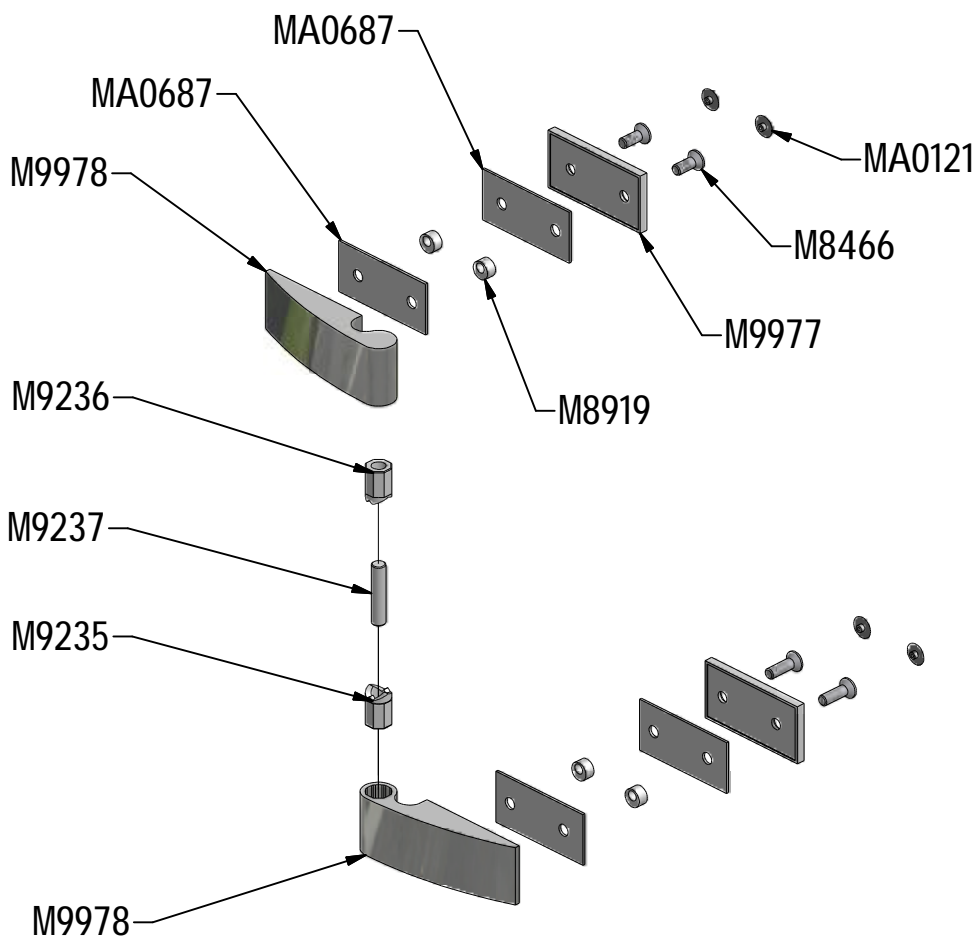




ND01-2844



ND01-2843



P33			ND01-0973-00
P34			ND01-2420
P82			ND01-2424-9

V58			ND03-0285-00-02
V56			ND03-0278-00-02
V57			ND03-0335-00-02





**ROLTECHNIK a.s. / Třebov 160 / 569 33,  
CZECH REPUBLIC**

**11**

**EN 14428:2008+A1**