



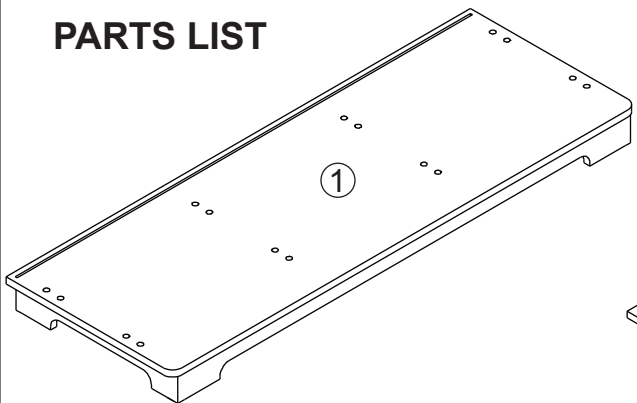
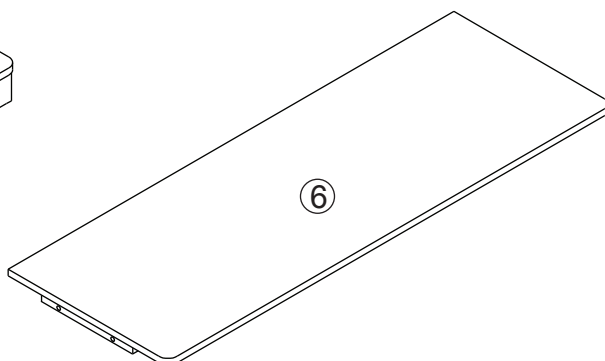
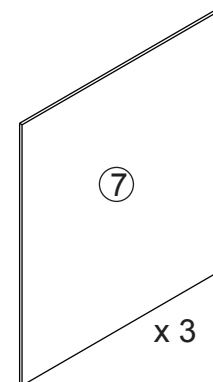
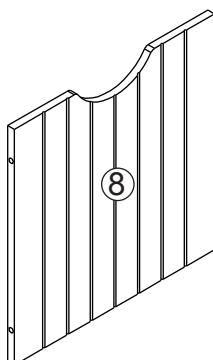


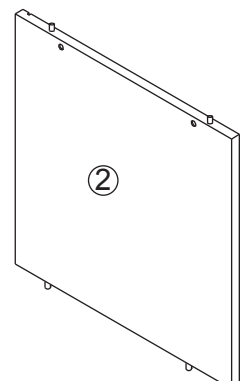
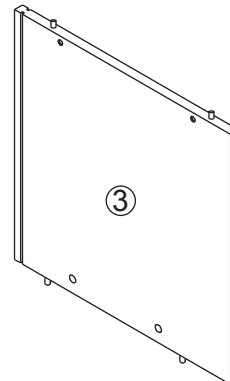
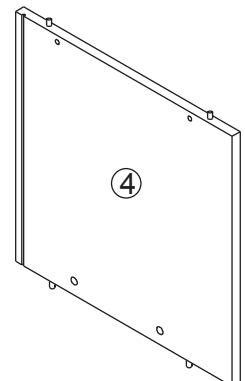
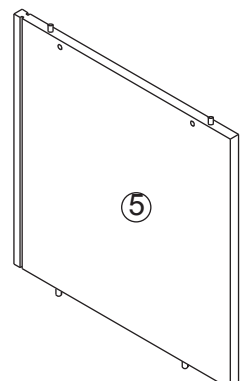

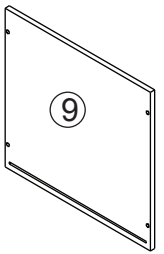
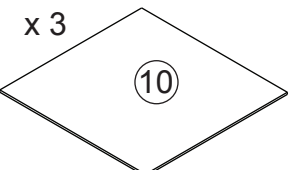
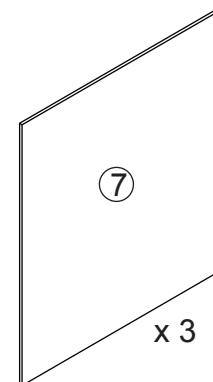
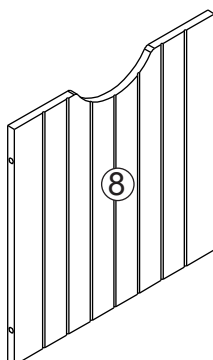
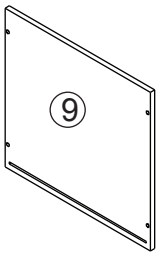
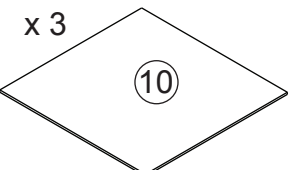
Nantucket Storage Bench

Assembly Instructions

Item # 14564

Please retain this information for future reference

To order replacement parts, please visit www.kidkraft.com

HARDWARE		PARTS LIST			
<p>A. Cross Dowel Bolt x 8 pcs 2 1/8in / 53mm</p> 	<p>Allen Wrench x 1 pc</p> 				
<p>B. Cross Dowel Nut x 8 pcs</p> 	<p>The following tool is required for assembly: (not included)</p>  <p>Phillips® Screwdriver</p>				
<p>C. White Screw x 32 pcs 1in / 25mm</p> 					
					

Step 1
Bin Assembly

Step 2

Step 3

Step 4
Repeat steps 1-4 for other 2 bins.

CAUTION: Adult assembly required. Hardware contains small screws with sharp points. Keep unassembled parts out of the reach of small children.

USE AND MAINTENANCE:
-Use on level surfaces only
-Please check assembly at regular intervals, and frequently tighten hardware if necessary. If maintenance is not carried out, the product could cease to function properly

Customer Service
1-800-933-0771
www.kidkraft.com

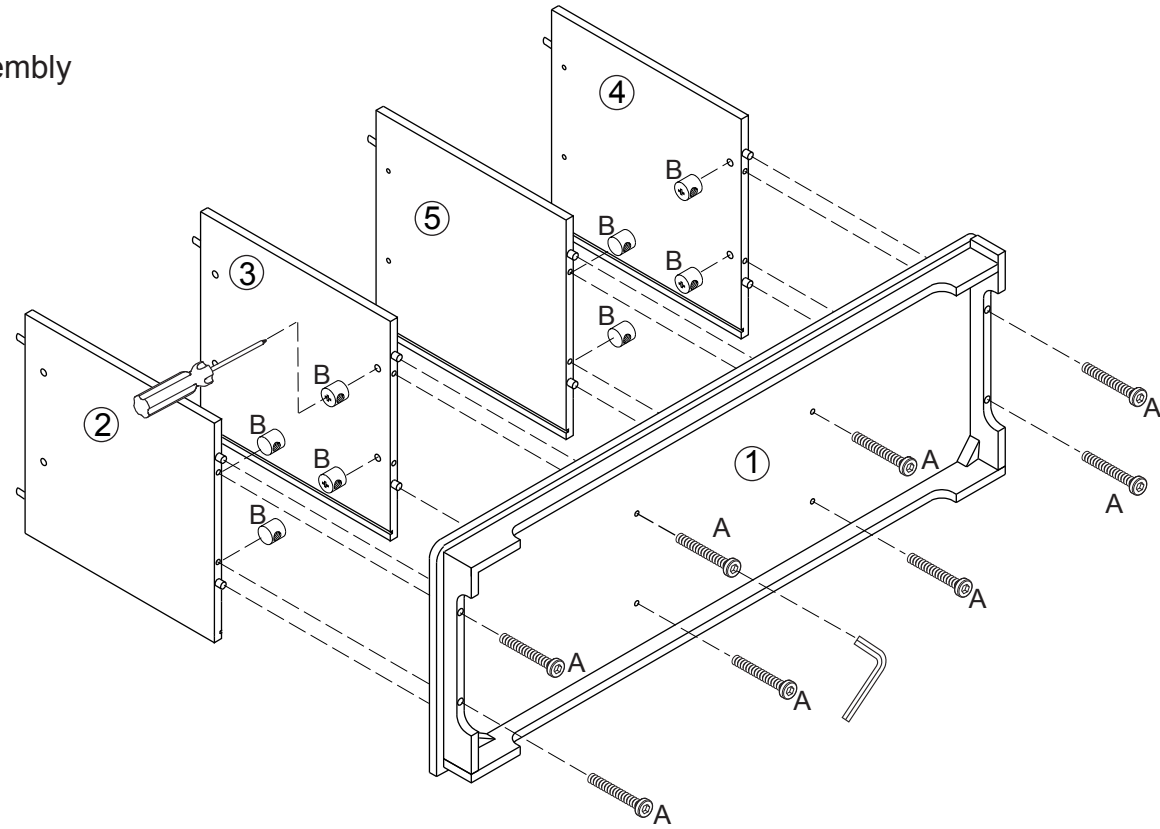
WARNING: CHOKING HAZARD
Unassembled parts may be a choking hazard to children 3 years and younger.

Nantucket Storage Bench

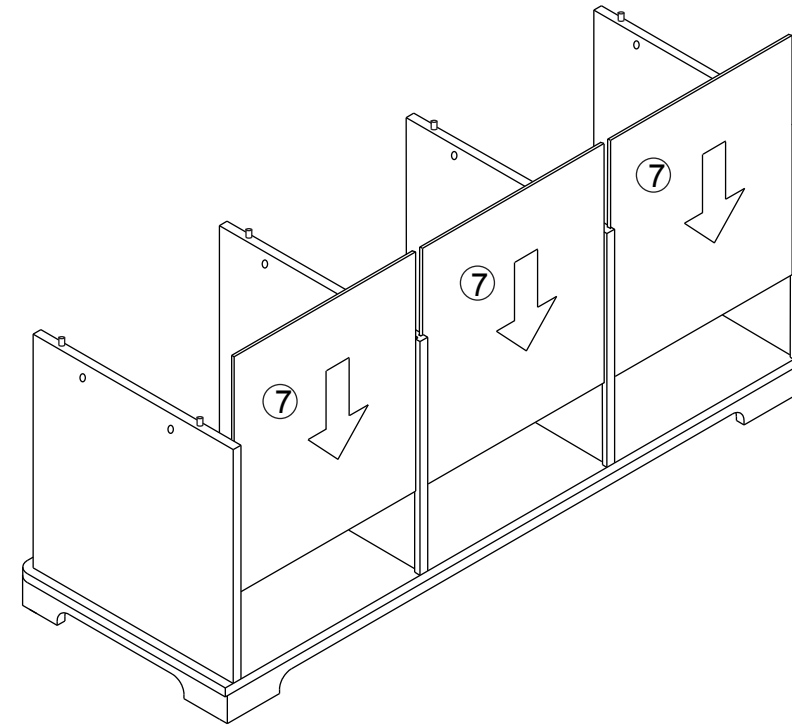
Assembly Instructions

Item # 14564

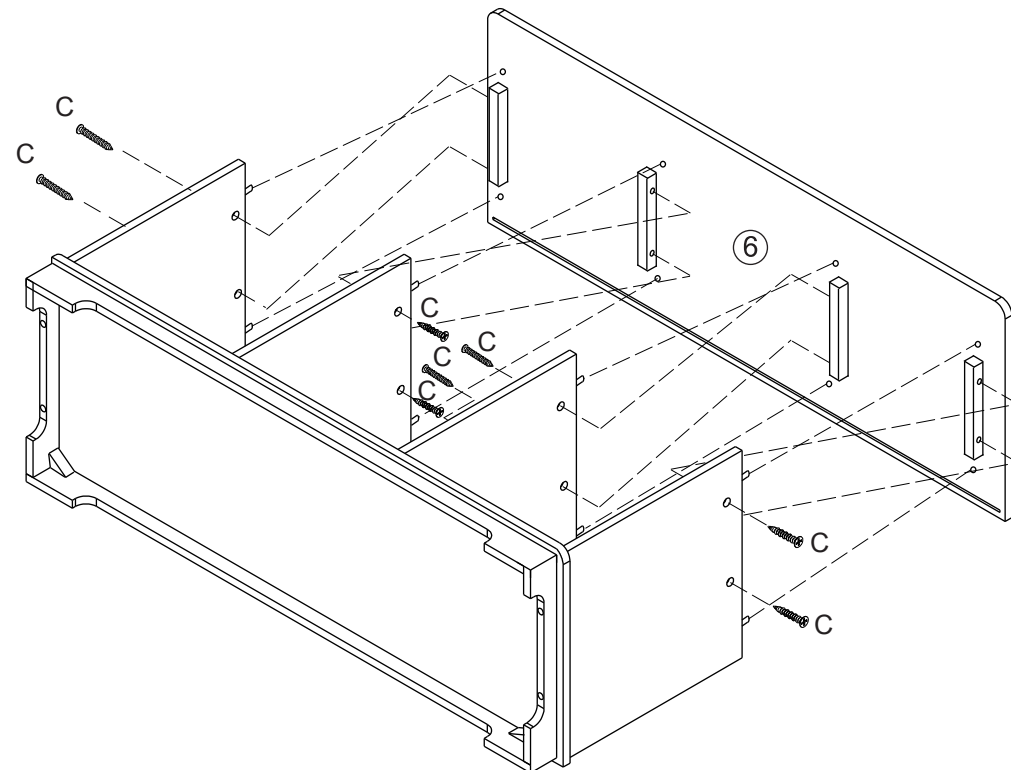
Step 5
Bench Assembly



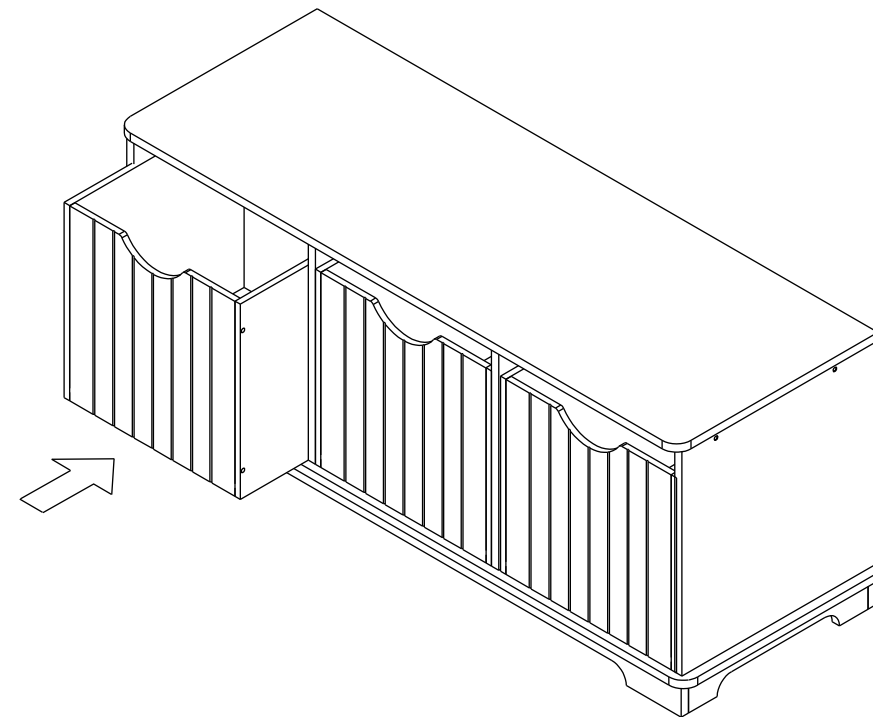
Step 6



Step 7



Step 8





Warning: This is intended for children of a specific age or above. Keep children younger than the specified age from using this item. Do not let children of any age climb on or around this item. Adult supervision is always recommended.

IMPORTANT INFORMATION - PLEASE READ FIRST

ALL OF OUR WOODEN ITEMS ARE HANDCRAFTED, HAND ASSEMBLED, AND HAND PAINTED. EACH ONE IS UNIQUE. SLIGHT IMPERFECTIONS MAY OCCUR AND ARE NOT MANUFACTURING DEFECTS.

PLEASE NOTE THAT WE DO NOT WARRANTY AGAINST THE USE OF PERMANENT MARKERS, NON-WATER-BASED PAINTS, CRAYONS, OR WASHABLE MARKERS. SOME OF THESE ITEMS CONTAIN PERMANENT COLOR DYES THAT COULD DAMAGE THE SURFACE.

CLEANING INSTRUCTIONS

CLEAN THE SURFACE USING A SLIGHTLY DAMP CLOTH AND MILD DISH WASHING LIQUID IF NECESSARY. DO NOT USE ANY CLEANING PRODUCT CONTAINING ALCOHOL OR AMMONIA. THESE WILL DULL THE SHINY SURFACE OF THE PRODUCT. FURNITURE POLISH WILL ALSO WORK TO CLEAN AND DUST OFF THE SURFACE.

WE RECOMMEND THAT YOU TEST ALL CLEANING MATERIALS ON THE UNDERSIDE OF ANY SURFACE THAT WOULD NOT BE SEEN DURING NORMAL USE OF THE PRODUCT. IF YOU HAVE QUESTIONS REGARDING THE MAINTENANCE OF THIS PRODUCT PLEASE FEEL FREE TO CALL US.

SOLE AND LIMITED WARRANTY

THIS PRODUCT IS WARRANTED SOLELY AGAINST MANUFACTURING DEFECTS FOR A PERIOD OF 90 DAYS FROM THE DATE OF PURCHASE, WHICH WARRANTY RUNS ONLY TO THE ORIGINAL USER OF THE PRODUCT. IN THE EVENT OF A MANUFACTURING DEFECT, THE PRODUCT WILL BE REPLACED OR THE PURCHASE PRICE REFUNDED, AT THE ELECTION OF THE MANUFACTURER. TO ACTIVATE AND PROTECT THIS WARRANTY, PRESERVE EVIDENCE OF ORIGINAL PURCHASE AND CAREFULLY INSPECT THE CONDITION OF THE PRODUCT PRIOR TO AND AFTER ASSEMBLY, LOOKING FOR MISSING, DEGRADED, BROKEN, IMPROPERLY SIZED OR HAZARDOUS PARTS, INCLUDING PARTS WHICH CAN BE SWALLOWED BY A CHILD, CAUSE A CHILD TO CHOKE, OR OTHERWISE CAUSE INJURY. SUCH PARTS MAY INCLUDE LOOSE SCREWS, EXPOSED NAILS OR SHARP EDGES. SHOULD YOU OBSERVE ANY DEFECTS, DO NOT USE THE PRODUCT AND IMMEDIATELY NOTIFY THE MANUFACTURER. FAILURE TO DO SO SHALL CONSTITUTE MISUSE. MISUSE, IMPROPER ASSEMBLY, FAILURE TO HONOR A WARNING, FAILURE TO SUPERVISE, INSPECT OR MAINTAIN THE PRODUCT, OR DAMAGE TO THE PRODUCT, WHETHER INTENTIONAL OR INADVERTENT, SHALL INVALIDATE THIS WARRANTY.

TO SUBMIT A WARRANTY CLAIM PLEASE CONTACT KIDKRAFT CUSTOMER SERVICE AT 1-800-933-0771 FOR INSTRUCTIONS ON HOW TO PROVIDE PROOF OF PURCHASE AND HOW TO RETURN THE ITEM FREIGHT PRE-PAID.

CUSTOMER SERVICE 1-800-933-0771

www.kidkraft.com



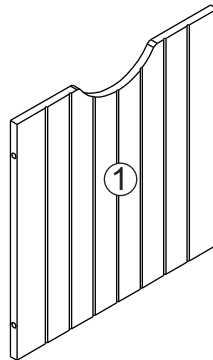
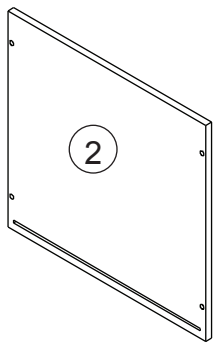


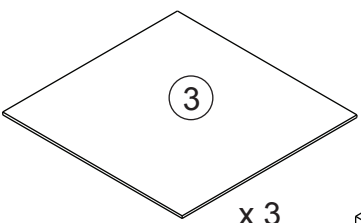
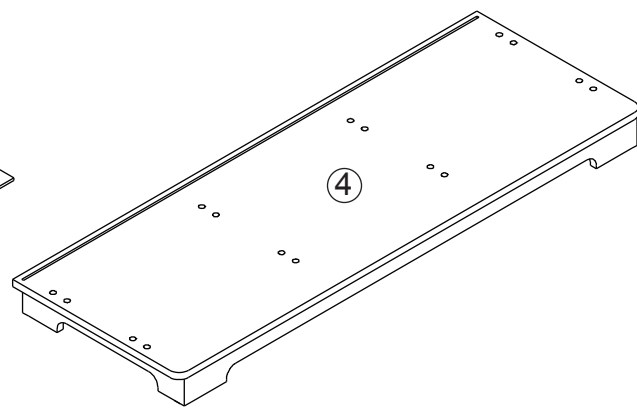

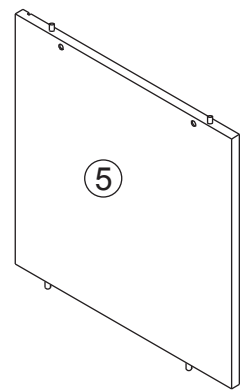
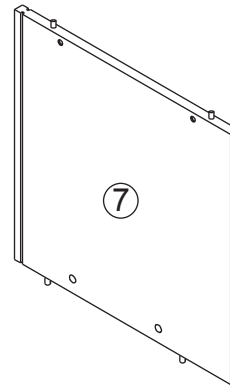
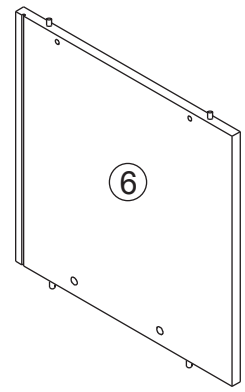
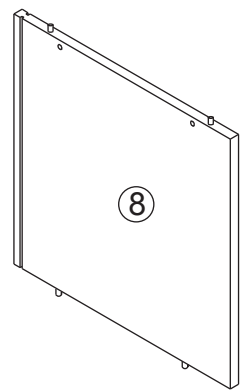
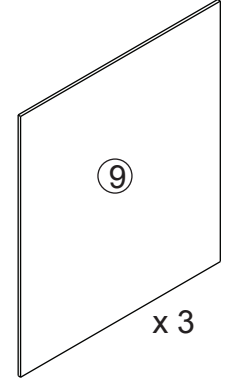
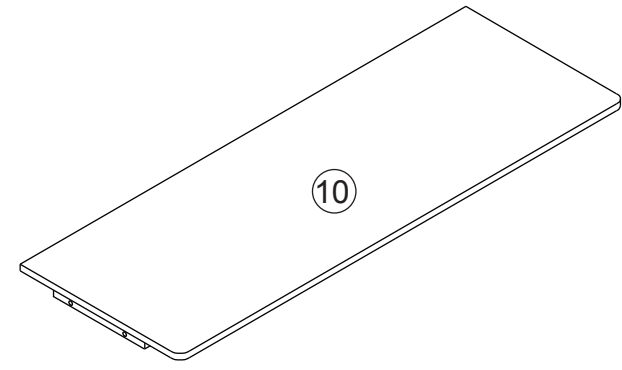
Nantucket Storage Bench

Assembly Instructions

Item #14564A

Please retain this information for future reference

To order replacement parts, please visit www.kidkraft.com

HARDWARE		PARTS LIST	
<p>A. Cross Dowel Bolt x 8 pcs</p>  <p>2 1/8in / 53mm</p>	<p>Allen Wrench x 1 pc</p> 	 x 6	 x 6
<p>B. Cross Dowel Nut x 8 pcs</p> 	<p>The following tool (not included) is required for assembly:</p>  <p>Phillips® Screwdriver</p>	 x 3	
<p>C. White Screw x 32 pcs</p>  <p>1in / 25mm</p>			
			
			 x 3
			

Step 1 Bin Assembly

Step 2

Step 3

Step 4

Repeat steps 1-4 for other 2 bins.

CAUTION: Adult Assembly Required. Hardware contains small screws with sharp points. Keep unassembled parts out of reach of small children.

USE AND MAINTENANCE:
-Use on level surfaces only
-Please check assembly at regular intervals, and frequently tighten hardware if necessary. If maintenance is not carried out, the product could cease to function properly

WARNING: CHOKING HAZARD
Small parts and sharp points, not suitable for children under 3 years.

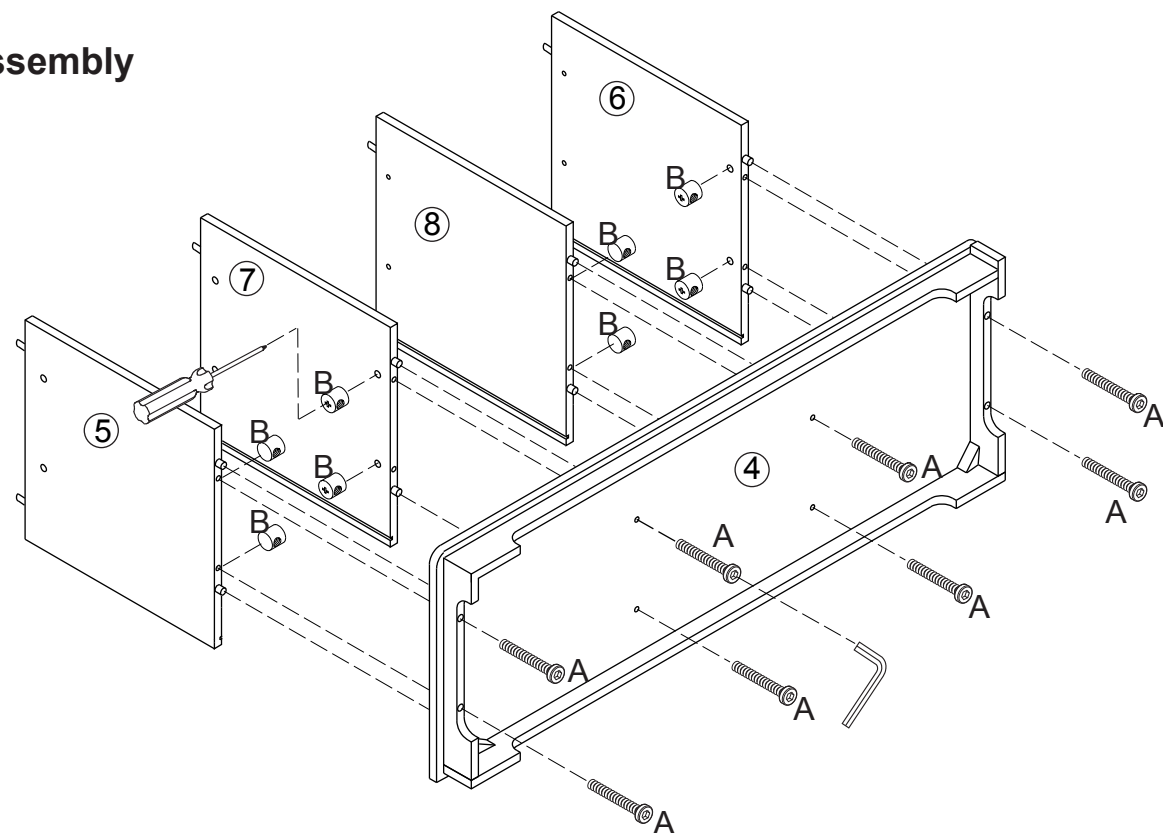
Customer Service
1-800-933-0771
www.kidkraft.com

Nantucket Storage Bench

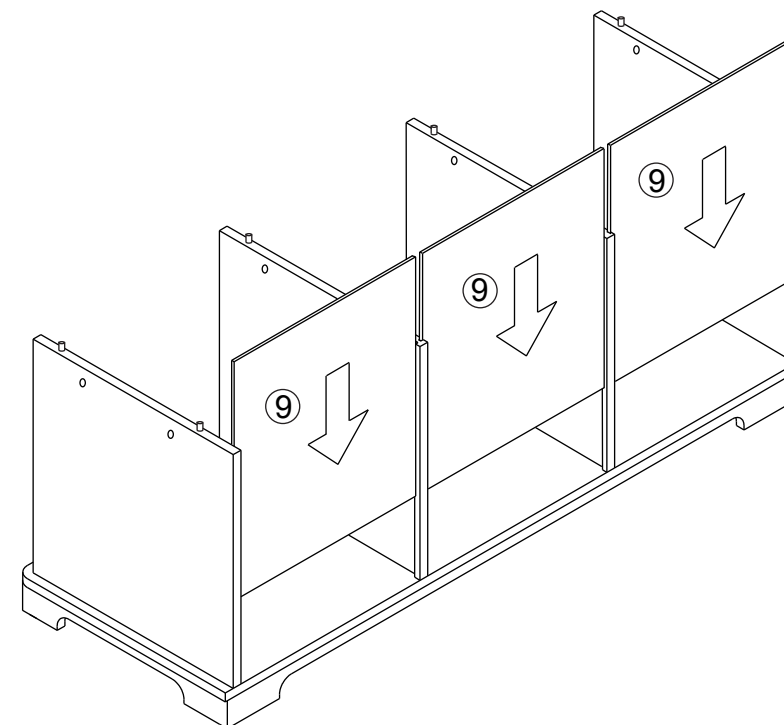
Assembly Instructions

Item # 14564A

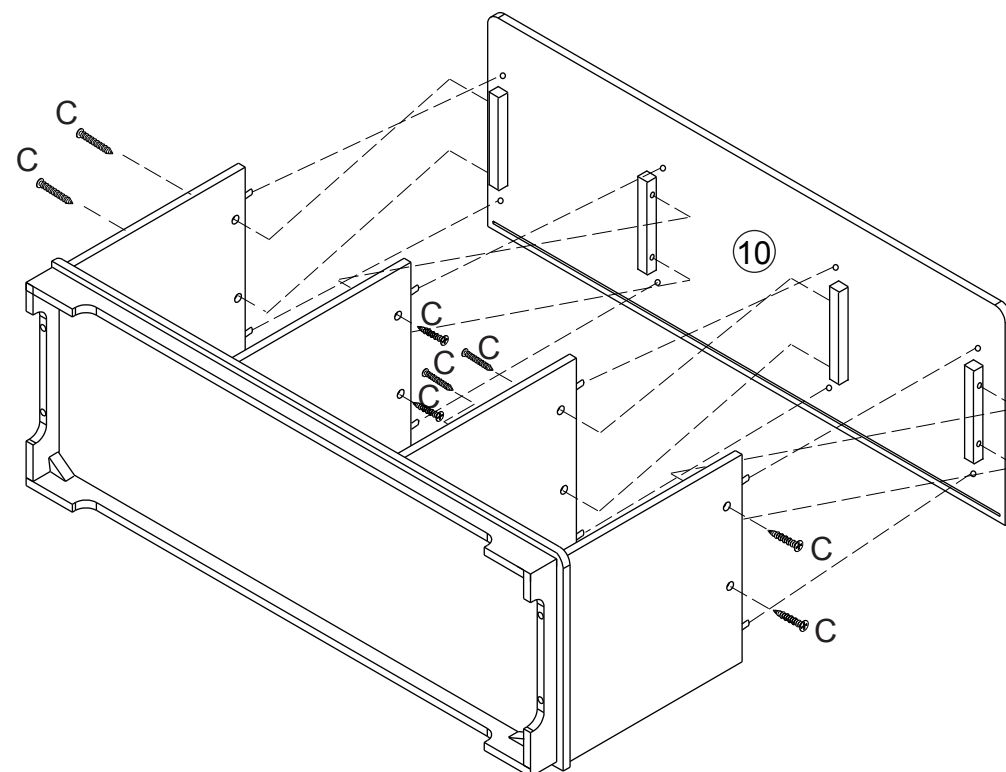
Step 5 Bench Assembly



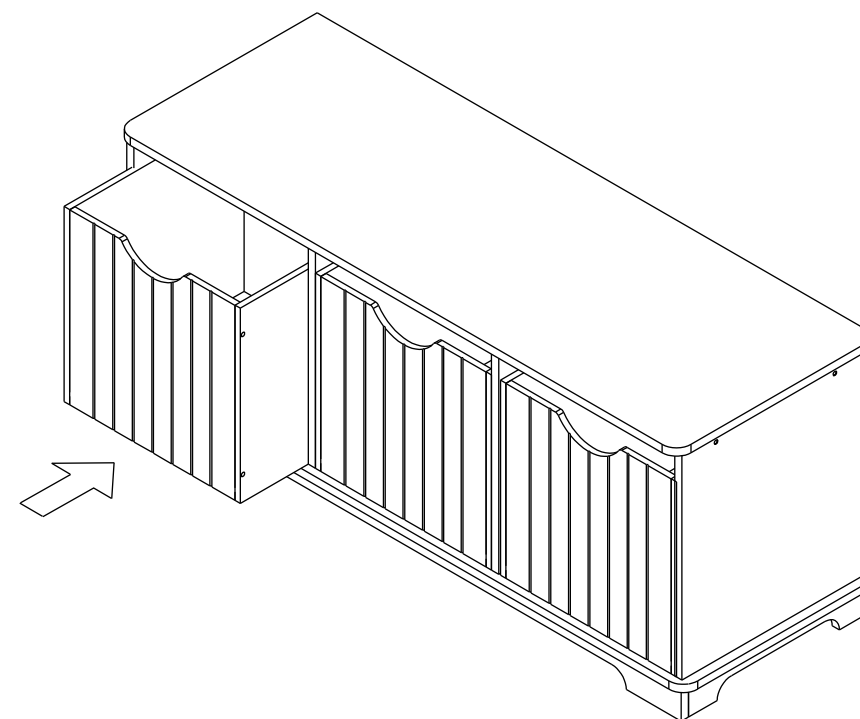
Step 6



Step 7



Step 8



Before calling customer service, please locate the batch code number (example: 2693/65006/04) found on the bottom or back of your product.

Customer Service
1-800-933-0771
www.kidkraft.com



Warning: This is intended for children of a specific age or above. Keep children younger than the specified age from using this item. Do not let children of any age climb on or around this item. Adult supervision is always recommended.

IMPORTANT INFORMATION - PLEASE READ FIRST

ALL OF OUR WOODEN ITEMS ARE HANDCRAFTED, HAND ASSEMBLED, AND HAND PAINTED. EACH ONE IS UNIQUE. SLIGHT IMPERFECTIONS MAY OCCUR AND ARE NOT MANUFACTURING DEFECTS.

PLEASE NOTE THAT WE DO NOT WARRANTY AGAINST THE USE OF PERMANENT MARKERS, NON-WATER-BASED PAINTS, CRAYONS, OR WASHABLE MARKERS. SOME OF THESE ITEMS CONTAIN PERMANENT COLOR DYES THAT COULD DAMAGE THE SURFACE.

CLEANING INSTRUCTIONS

CLEAN THE SURFACE USING A SLIGHTLY DAMP CLOTH AND MILD DISH WASHING LIQUID IF NECESSARY. DO NOT USE ANY CLEANING PRODUCT CONTAINING ALCOHOL OR AMMONIA. THESE WILL DULL THE SHINY SURFACE OF THE PRODUCT. FURNITURE POLISH WILL ALSO WORK TO CLEAN AND DUST OFF THE SURFACE.

WE RECOMMEND THAT YOU TEST ALL CLEANING MATERIALS ON THE UNDERSIDE OF ANY SURFACE THAT WOULD NOT BE SEEN DURING NORMAL USE OF THE PRODUCT. IF YOU HAVE QUESTIONS REGARDING THE MAINTENANCE OF THIS PRODUCT PLEASE FEEL FREE TO CALL US.

SOLE AND LIMITED WARRANTY

THIS PRODUCT IS WARRANTED SOLELY AGAINST MANUFACTURING DEFECTS FOR A PERIOD OF 90 DAYS FROM THE DATE OF PURCHASE, WHICH WARRANTY RUNS ONLY TO THE ORIGINAL USER OF THE PRODUCT. IN THE EVENT OF A MANUFACTURING DEFECT, THE PRODUCT WILL BE REPLACED OR THE PURCHASE PRICE REFUNDED, AT THE ELECTION OF THE MANUFACTURER. TO ACTIVATE AND PROTECT THIS WARRANTY, PRESERVE EVIDENCE OF ORIGINAL PURCHASE AND CAREFULLY INSPECT THE CONDITION OF THE PRODUCT PRIOR TO AND AFTER ASSEMBLY, LOOKING FOR MISSING, DEGRADED, BROKEN, IMPROPERLY SIZED OR HAZARDOUS PARTS, INCLUDING PARTS WHICH CAN BE SWALLOWED BY A CHILD, CAUSE A CHILD TO CHOKE, OR OTHERWISE CAUSE INJURY. SUCH PARTS MAY INCLUDE LOOSE SCREWS, EXPOSED NAILS OR SHARP EDGES. SHOULD YOU OBSERVE ANY DEFECTS, DO NOT USE THE PRODUCT AND IMMEDIATELY NOTIFY THE MANUFACTURER. FAILURE TO DO SO SHALL CONSTITUTE MISUSE. MISUSE, IMPROPER ASSEMBLY, FAILURE TO HONOR A WARNING, FAILURE TO SUPERVISE, INSPECT OR MAINTAIN THE PRODUCT, OR DAMAGE TO THE PRODUCT, WHETHER INTENTIONAL OR INADVERTENT, SHALL INVALIDATE THIS WARRANTY.

TO SUBMIT A WARRANTY CLAIM PLEASE CONTACT KIDKRAFT CUSTOMER SERVICE AT 1-800-933-0771 FOR INSTRUCTIONS ON HOW TO PROVIDE PROOF OF PURCHASE AND HOW TO RETURN THE ITEM FREIGHT PRE-PAID.

CUSTOMER SERVICE 1-800-933-0771

www.kidkraft.com



Nantucket Storage Bench with Bins

Assembly Instructions

Item #14564B

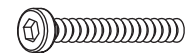
© 2011 KidKraft, LP

Please retain this information for future reference

To order replacement parts, please visit www.kidkraft.com

HARDWARE:

A. Cross Dowel Bolt x 8 pcs



2 in / 50 mm

B. Cross Dowel Nut x 8 pcs

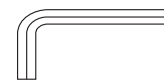


C. Screw x 36 pcs



3/4 in / 18 mm

Allen Wrench x 1 pc

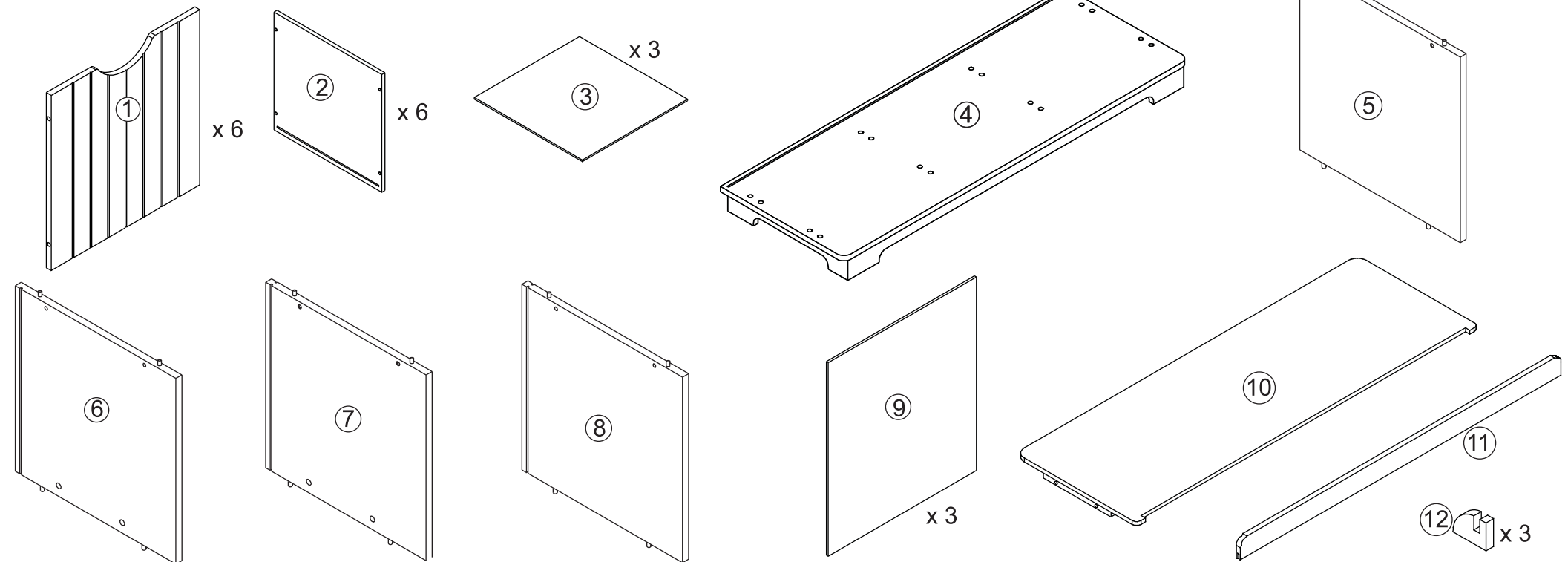


The following tool (not included) is required for assembly:

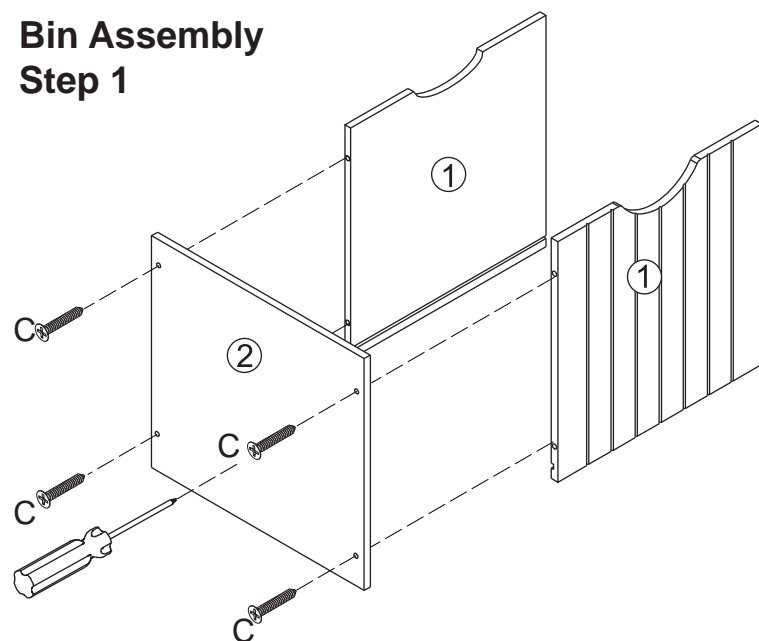


Phillips® screwdriver

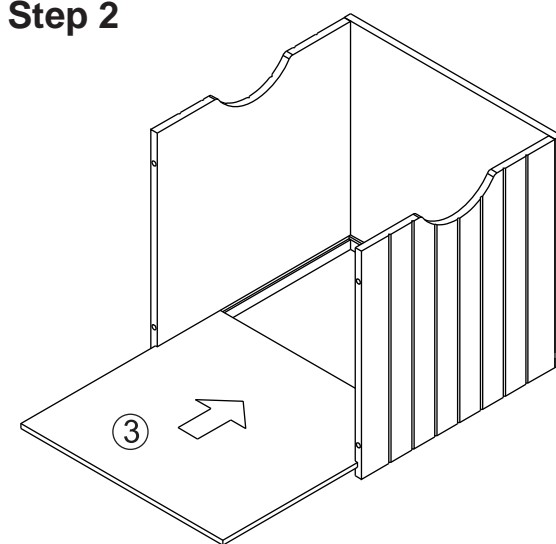
PARTS LIST:



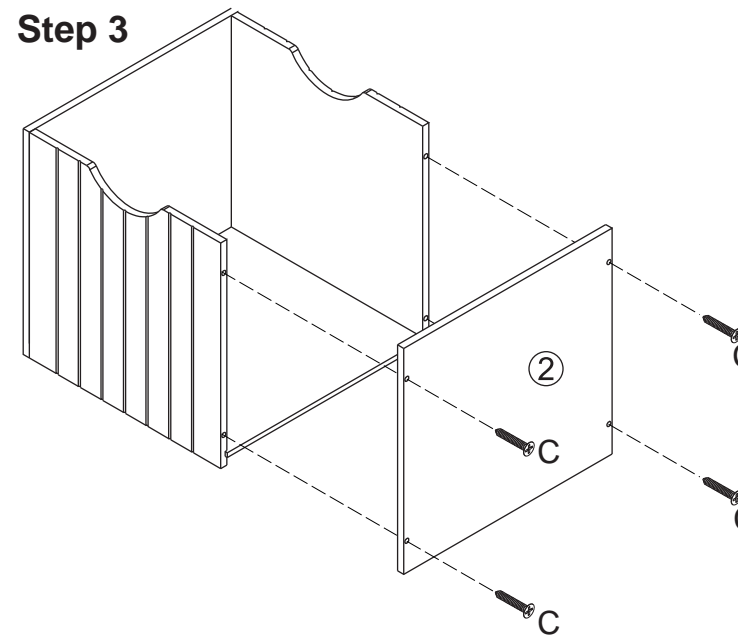
Bin Assembly Step 1



Step 2

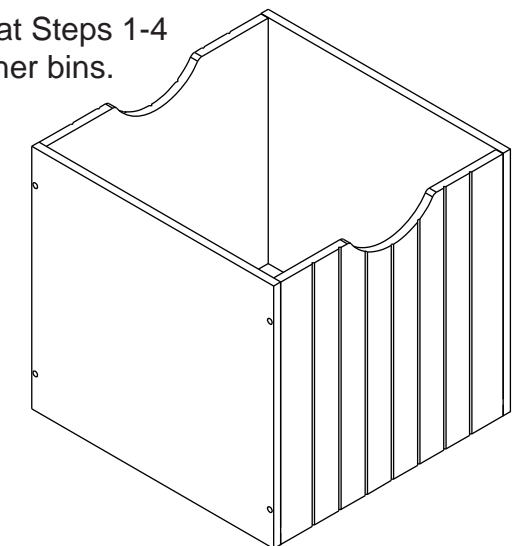


Step 3



Step 4

Repeat Steps 1-4 for other bins.



⚠ WARNING:
ADULT ASSEMBLY REQUIRED.
Product includes small parts with potentially hazardous sharp points and sharp edges in the unassembled state. Keep unassembled parts away from children.

USE AND MAINTENANCE:
-Use on level surfaces only
-Please check assembly at regular intervals, and frequently tighten hardware if necessary. If maintenance is not carried out, the product could cease to function properly.

⚠ WARNING:
CHOKING HAZARD. Small parts and sharp points, not suitable for children under 3 years.

Customer Service
1-800-933-0771
www.kidkraft.com



Nantucket Storage Bench with Bins

Assembly Instructions

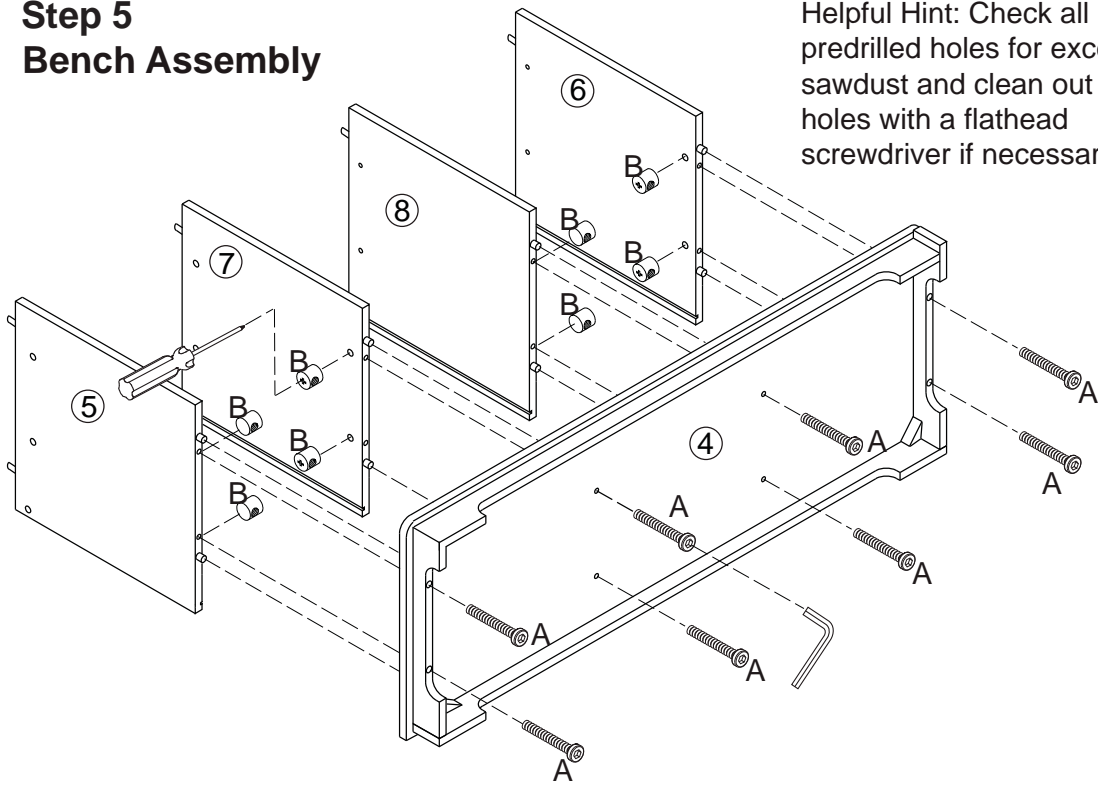
Item #14564B

© 2011 KidKraft, LP

Please retain this information for future reference

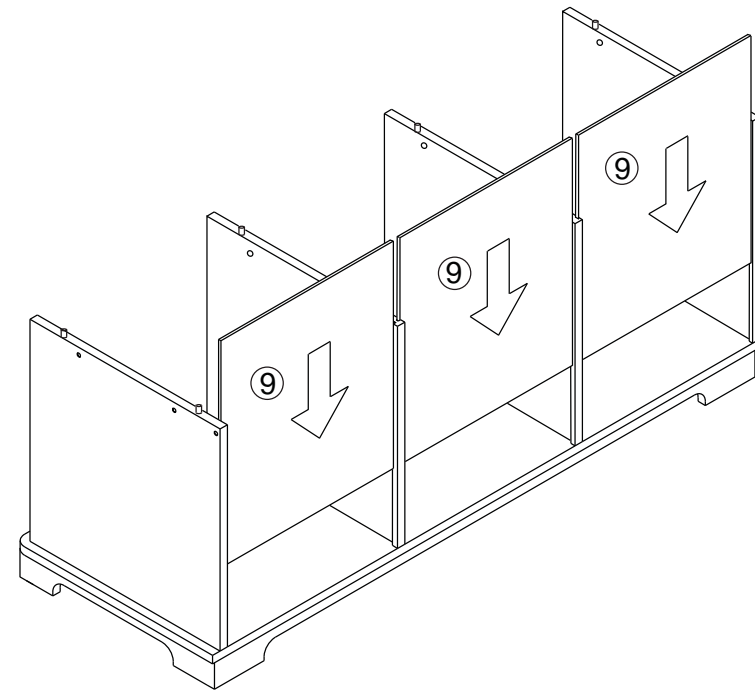
To order replacement parts, please visit www.kidkraft.com

Step 5 Bench Assembly

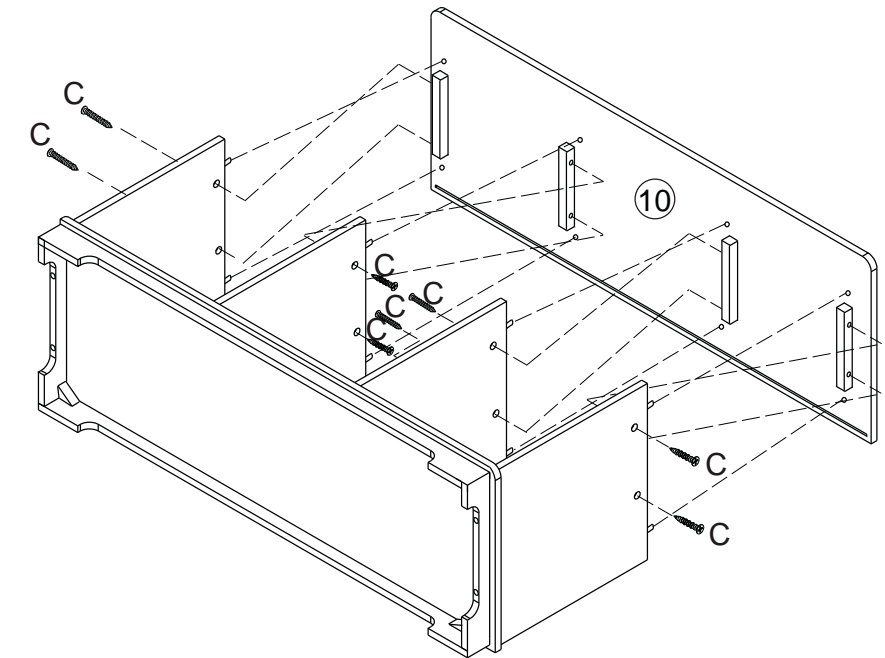


Helpful Hint: Check all predrilled holes for excess sawdust and clean out the holes with a flathead screwdriver if necessary.

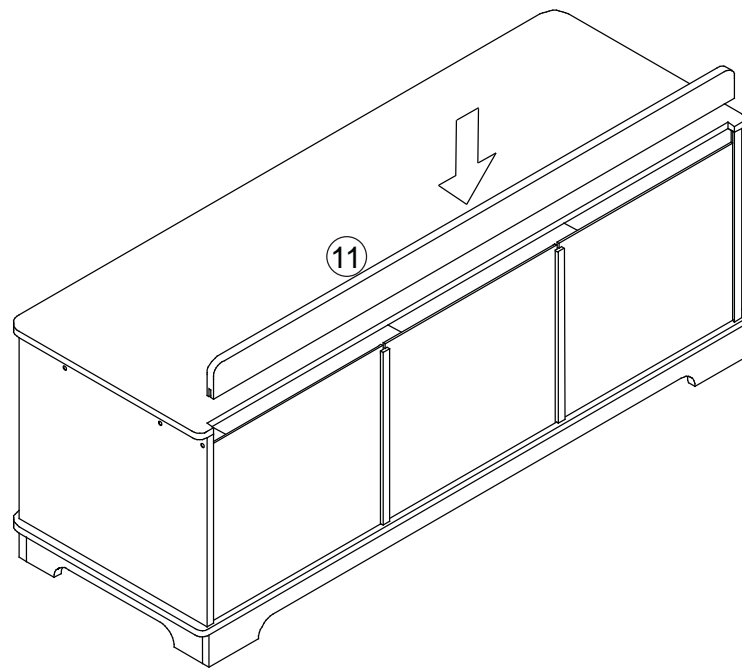
Step 6



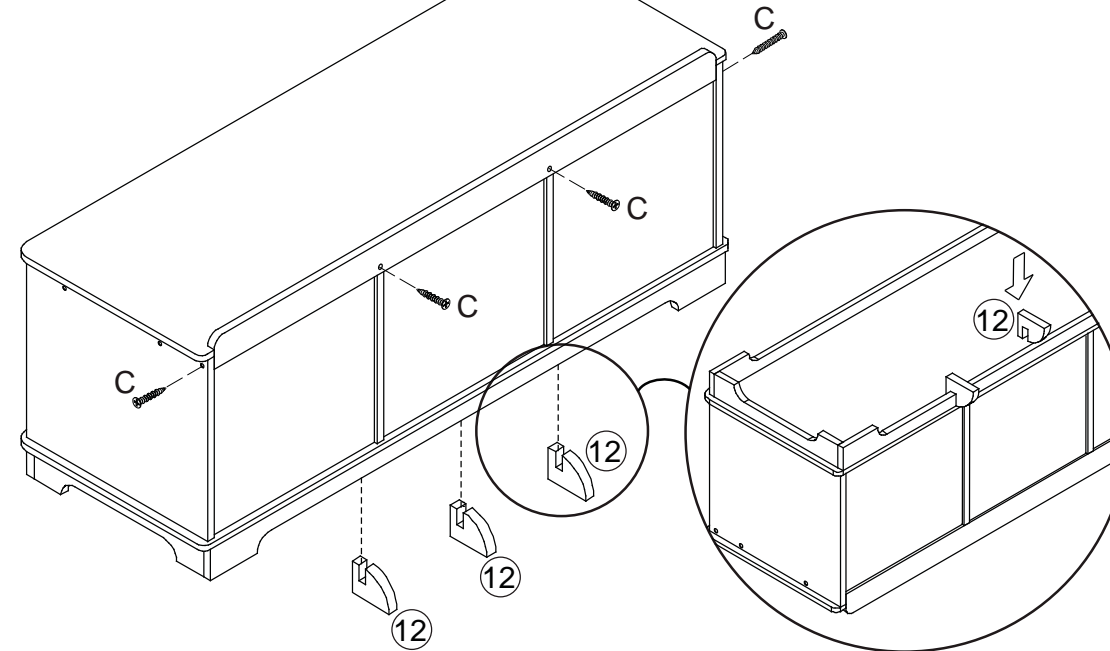
Step 7



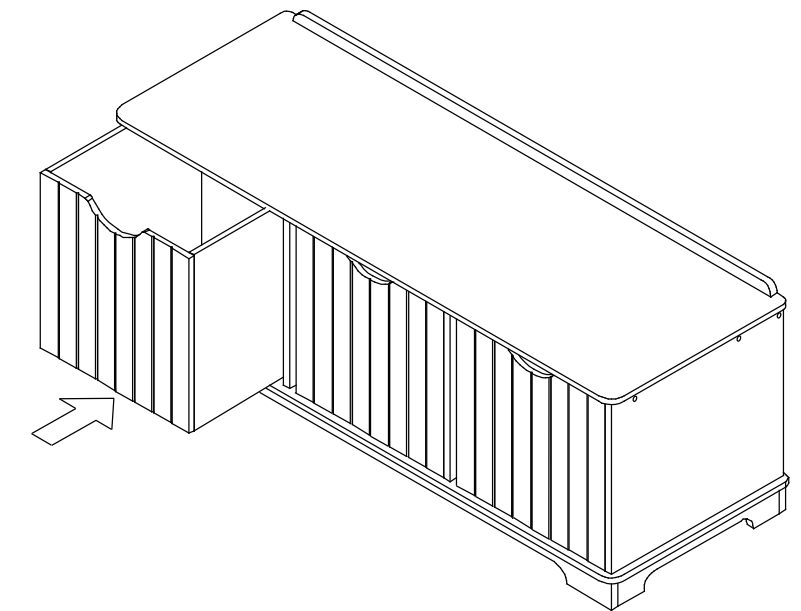
Step 8



Step 9



Step 10



Before calling customer service, please locate the batch code number (example: 105906/65006/04) found on the bottom or back of your product.

Customer Service
1-800-933-0771
www.kidkraft.com



Warning: This is intended for children of a specific age or above. Keep children younger than the specified age from using this item. Do not let children of any age climb on or around this item. Adult supervision is always recommended.

IMPORTANT INFORMATION - PLEASE READ FIRST

ALL OF OUR WOODEN ITEMS ARE HANDCRAFTED, HAND ASSEMBLED, AND HAND PAINTED. EACH ONE IS UNIQUE. SLIGHT IMPERFECTIONS MAY OCCUR AND ARE NOT MANUFACTURING DEFECTS.

PLEASE NOTE THAT WE DO NOT WARRANTY AGAINST THE USE OF PERMANENT MARKERS, NON-WATER-BASED PAINTS, CRAYONS, OR WASHABLE MARKERS. SOME OF THESE ITEMS CONTAIN PERMANENT COLOR DYES THAT COULD DAMAGE THE SURFACE.

CLEANING INSTRUCTIONS

CLEAN THE SURFACE USING A SLIGHTLY DAMP CLOTH AND MILD DISH WASHING LIQUID IF NECESSARY. DO NOT USE ANY CLEANING PRODUCT CONTAINING ALCOHOL OR AMMONIA. THESE WILL DULL THE SHINY SURFACE OF THE PRODUCT. FURNITURE POLISH WILL ALSO WORK TO CLEAN AND DUST OFF THE SURFACE.

WE RECOMMEND THAT YOU TEST ALL CLEANING MATERIALS ON THE UNDERSIDE OF ANY SURFACE THAT WOULD NOT BE SEEN DURING NORMAL USE OF THE PRODUCT. IF YOU HAVE QUESTIONS REGARDING THE MAINTENANCE OF THIS PRODUCT PLEASE FEEL FREE TO CALL US.

SOLE AND LIMITED WARRANTY

THIS PRODUCT IS WARRANTED SOLELY AGAINST MANUFACTURING DEFECTS FOR A PERIOD OF 90 DAYS FROM THE DATE OF PURCHASE, WHICH RUNS ONLY TO THE ORIGINAL USER OF THE PRODUCT. IN THE EVENT OF A MANUFACTURING DEFECT, PARTS WILL BE REPLACED OR THE ENTIRE PRODUCT WILL BE REPLACED OR THE PURCHASE PRICE WILL BE REFUNDED, AT THE ELECTION OF THE MANUFACTURER. TO ACTIVATE AND PROTECT THIS WARRANTY, PRESERVE EVIDENCE OF ORIGINAL PURCHASE AND CAREFULLY INSPECT THE CONDITION OF THE PRODUCT PRIOR TO AND AFTER ASSEMBLY, LOOKING FOR MISSING, DEGRADED, BROKEN, IMPROPERLY SIZED OR HAZARDOUS PARTS, INCLUDING PARTS WHICH CAN BE SWALLOWED BY A CHILD, CAUSE A CHILD TO CHOKE, OR OTHERWISE CAUSE INJURY. SUCH PARTS MAY INCLUDE LOOSE SCREWS, EXPOSED NAILS OR SHARP EDGES. SHOULD YOU OBSERVE ANY DEFECTS, DO NOT USE THE PRODUCT AND IMMEDIATELY NOTIFY THE MANUFACTURER. FAILURE TO DO SO SHALL CONSTITUTE MISUSE. MISUSE, IMPROPER ASSEMBLY, FAILURE TO HONOR A WARNING, FAILURE TO SUPERVISE, INSPECT OR MAINTAIN THE PRODUCT, OR DAMAGE TO THE PRODUCT, WHETHER INTENTIONAL OR INADVERTENT, SHALL INVALIDATE THIS WARRANTY. THIS WARRANTY GIVES YOU SPECIFIC LEGAL RIGHTS, AND YOU MAY ALSO HAVE OTHER RIGHTS WHICH VARY FROM STATE TO STATE.

TO SUBMIT A WARRANTY CLAIM PLEASE CONTACT KIDKRAFT CUSTOMER SERVICE AT 1-800-933-0771 FOR INSTRUCTIONS ON HOW TO PROVIDE PROOF OF PURCHASE AND HOW TO RETURN THE ITEM FREIGHT PRE-PAID.

CUSTOMER SERVICE 1-800-933-0771

www.kidkraft.com



Nantucket Storage Bench

Assembly Instructions

Item #14564C, 14565C

© 2011 KidKraft, LP

Please retain this information for future reference

To order replacement parts, please visit www.kidkraft.com

HARDWARE:

A. Cross Dowel Bolt x 8 pcs



2 in / 50 mm

B. Cross Dowel Nut x 8 pcs

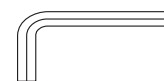


C. Screw x 36 pcs



3/4 in / 18 mm

Allen Wrench x 1 pc

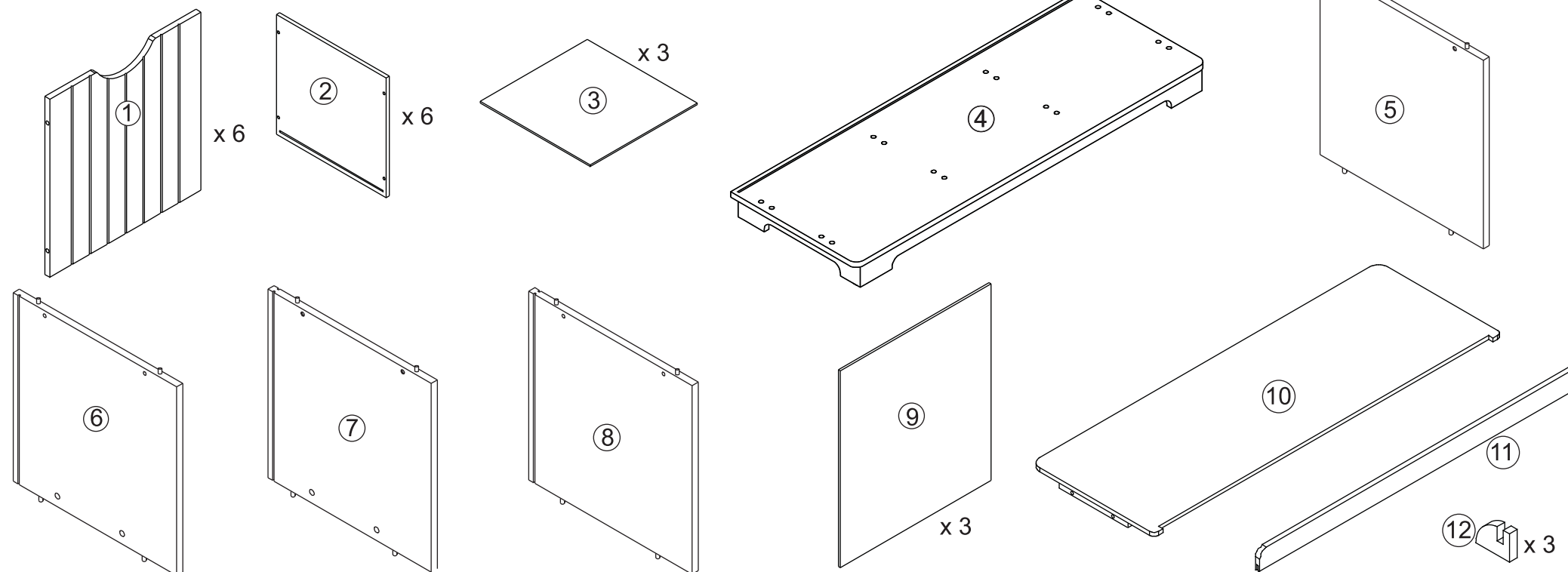


The following tool (not included) is required for assembly:

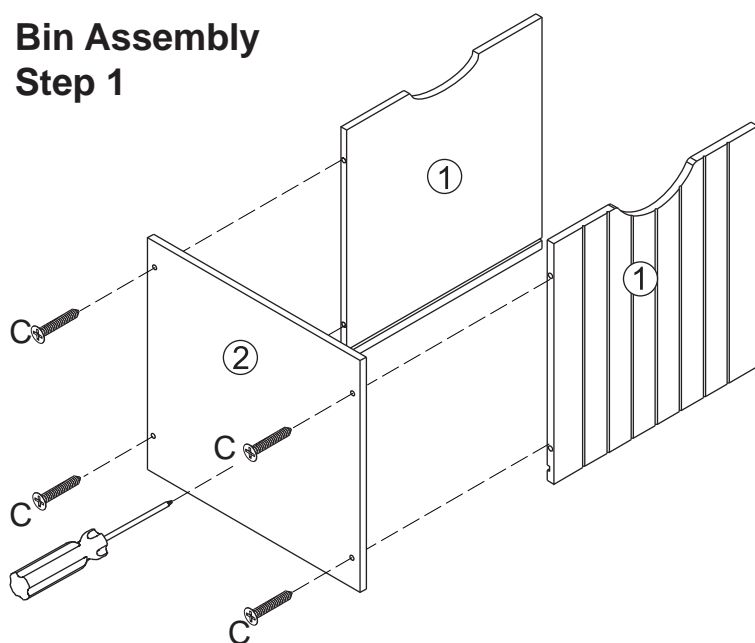


Phillips® screwdriver

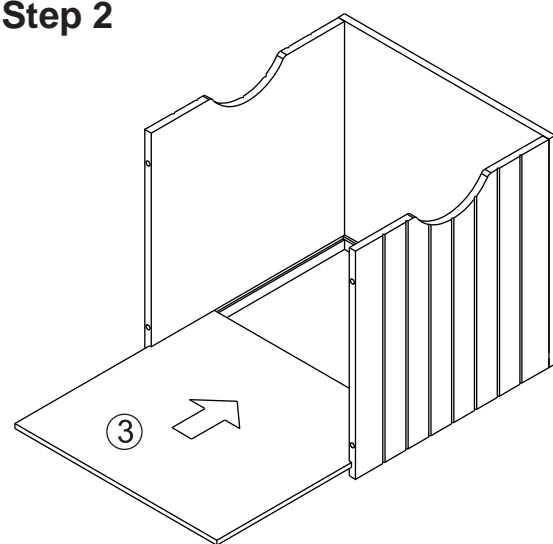
PARTS LIST:



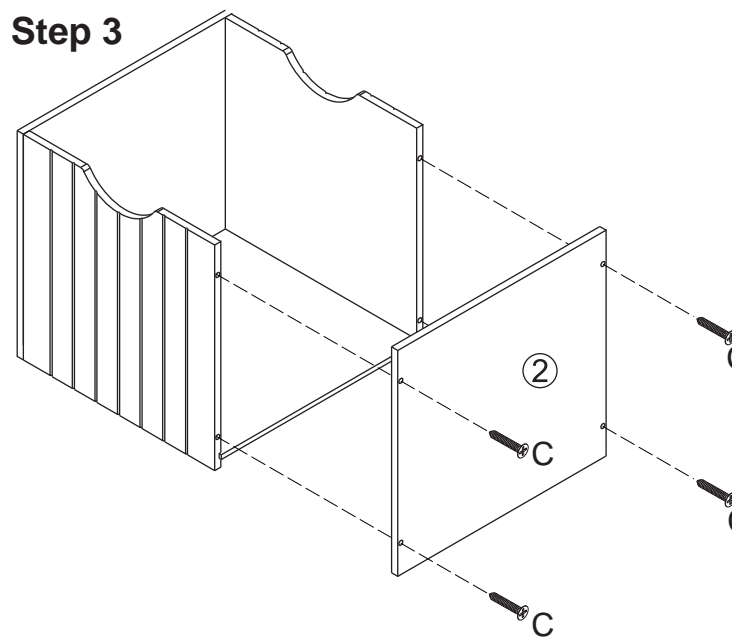
Bin Assembly Step 1



Step 2

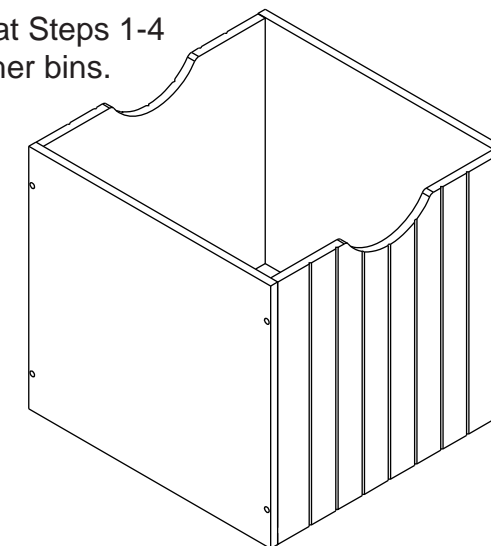


Step 3



Step 4

Repeat Steps 1-4 for other bins.



⚠ WARNING:
ADULT ASSEMBLY REQUIRED.
Product includes small parts with potentially hazardous sharp points and sharp edges in the unassembled state. Keep unassembled parts away from children.

USE AND MAINTENANCE:
-Use on level surfaces only
-Please check assembly at regular intervals, and frequently tighten hardware if necessary. If maintenance is not carried out, the product could cease to function properly.

⚠ WARNING:
CHOKING HAZARD. Small parts and sharp points, not suitable for children under 3 years.

Customer Service
1-800-933-0771
www.kidkraft.com



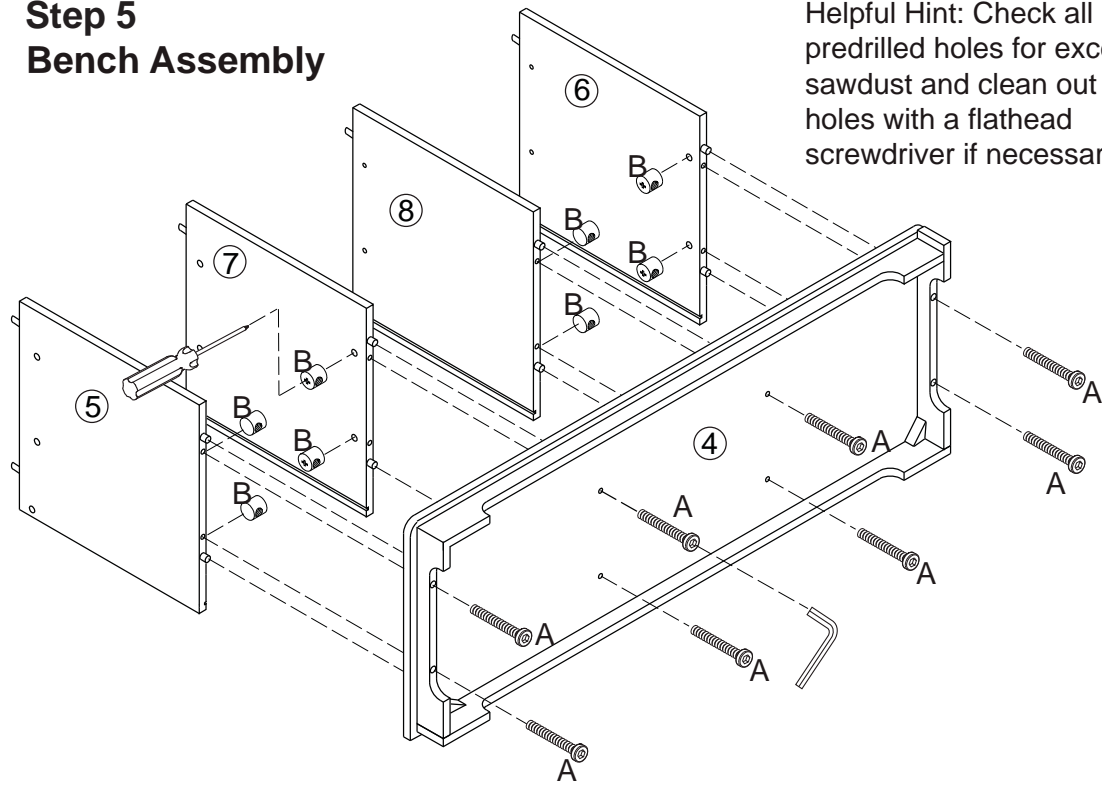
Nantucket Storage Bench

Assembly Instructions

© 2011 KidKraft, LP

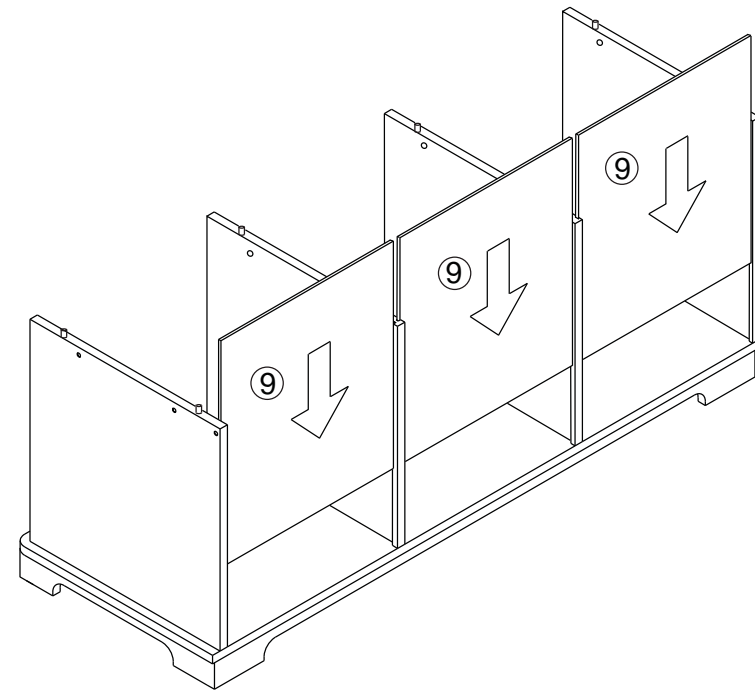
Item #14564C, 14565C

Step 5 Bench Assembly

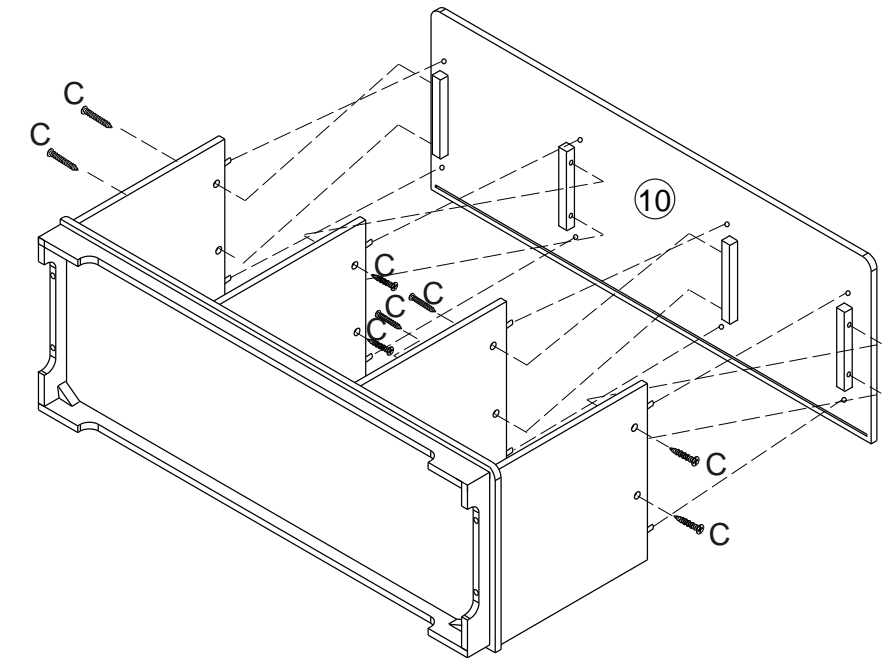


Helpful Hint: Check all predrilled holes for excess sawdust and clean out the holes with a flathead screwdriver if necessary.

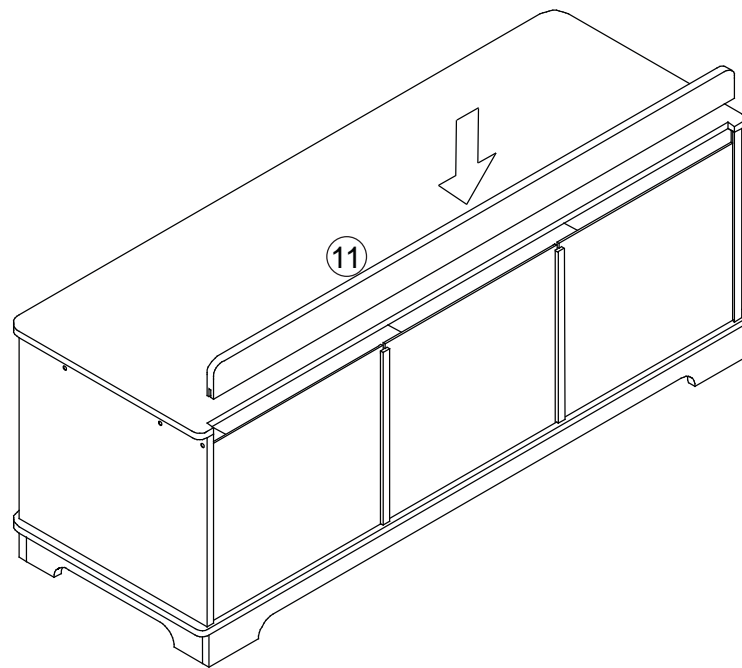
Step 6



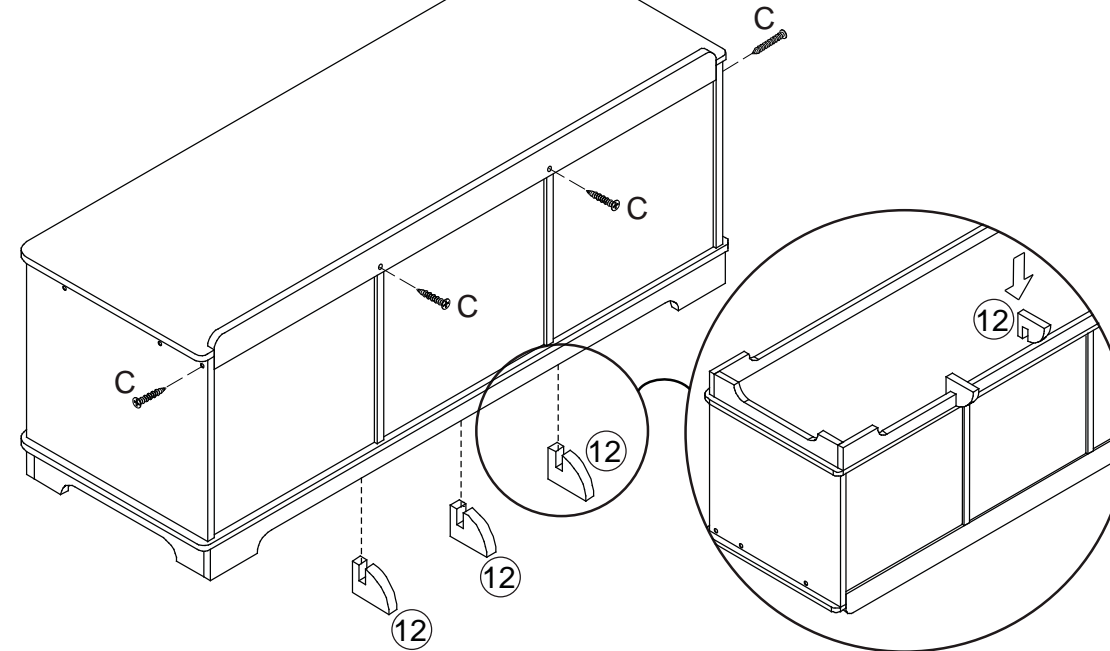
Step 7



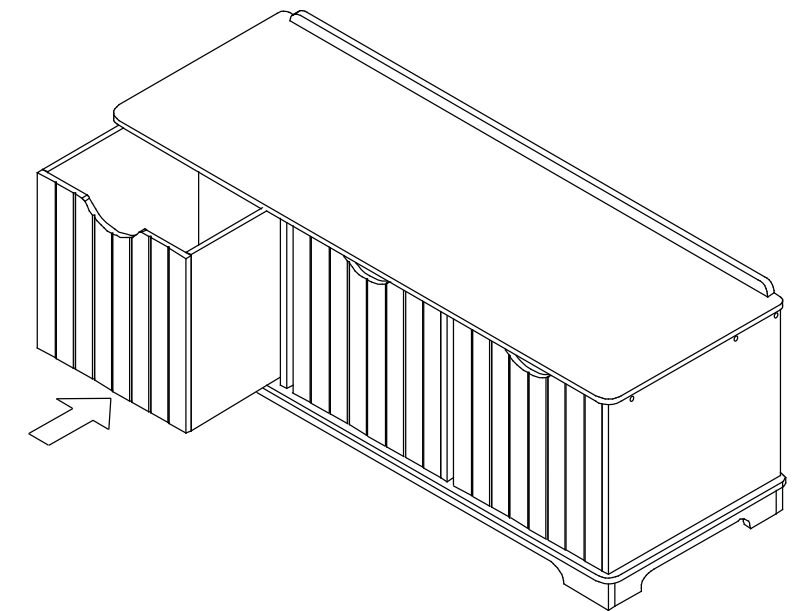
Step 8



Step 9



Step 10



Before calling customer service, please locate the batch code number (example: 105906/65006/04) found on the bottom or back of your product.

Customer Service
1-800-933-0771
www.kidkraft.com



Warning: This is intended for children of a specific age or above. Keep children younger than the specified age from using this item. Do not let children of any age climb on or around this item. Adult supervision is always recommended.

IMPORTANT INFORMATION - PLEASE READ FIRST

ALL OF OUR WOODEN ITEMS ARE HANDCRAFTED, HAND ASSEMBLED, AND HAND PAINTED. EACH ONE IS UNIQUE. SLIGHT IMPERFECTIONS MAY OCCUR AND ARE NOT MANUFACTURING DEFECTS.

PLEASE NOTE THAT WE DO NOT WARRANTY AGAINST THE USE OF PERMANENT MARKERS, NON-WATER-BASED PAINTS, CRAYONS, OR WASHABLE MARKERS. SOME OF THESE ITEMS CONTAIN PERMANENT COLOR DYES THAT COULD DAMAGE THE SURFACE.

CLEANING INSTRUCTIONS

CLEAN THE SURFACE USING A SLIGHTLY DAMP CLOTH AND MILD DISH WASHING LIQUID IF NECESSARY. DO NOT USE ANY CLEANING PRODUCT CONTAINING ALCOHOL OR AMMONIA. THESE WILL DULL THE SHINY SURFACE OF THE PRODUCT. FURNITURE POLISH WILL ALSO WORK TO CLEAN AND DUST OFF THE SURFACE.

WE RECOMMEND THAT YOU TEST ALL CLEANING MATERIALS ON THE UNDERSIDE OF ANY SURFACE THAT WOULD NOT BE SEEN DURING NORMAL USE OF THE PRODUCT. IF YOU HAVE QUESTIONS REGARDING THE MAINTENANCE OF THIS PRODUCT PLEASE FEEL FREE TO CALL US.

SOLE AND LIMITED WARRANTY

THIS PRODUCT IS WARRANTED SOLELY AGAINST MANUFACTURING DEFECTS FOR A PERIOD OF 90 DAYS FROM THE DATE OF PURCHASE, WHICH RUNS ONLY TO THE ORIGINAL USER OF THE PRODUCT. IN THE EVENT OF A MANUFACTURING DEFECT, PARTS WILL BE REPLACED OR THE ENTIRE PRODUCT WILL BE REPLACED OR THE PURCHASE PRICE WILL BE REFUNDED, AT THE ELECTION OF THE MANUFACTURER. TO ACTIVATE AND PROTECT THIS WARRANTY, PRESERVE EVIDENCE OF ORIGINAL PURCHASE AND CAREFULLY INSPECT THE CONDITION OF THE PRODUCT PRIOR TO AND AFTER ASSEMBLY, LOOKING FOR MISSING, DEGRADED, BROKEN, IMPROPERLY SIZED OR HAZARDOUS PARTS, INCLUDING PARTS WHICH CAN BE SWALLOWED BY A CHILD, CAUSE A CHILD TO CHOKE, OR OTHERWISE CAUSE INJURY. SUCH PARTS MAY INCLUDE LOOSE SCREWS, EXPOSED NAILS OR SHARP EDGES. SHOULD YOU OBSERVE ANY DEFECTS, DO NOT USE THE PRODUCT AND IMMEDIATELY NOTIFY THE MANUFACTURER. FAILURE TO DO SO SHALL CONSTITUTE MISUSE. MISUSE, IMPROPER ASSEMBLY, FAILURE TO HONOR A WARNING, FAILURE TO SUPERVISE, INSPECT OR MAINTAIN THE PRODUCT, OR DAMAGE TO THE PRODUCT, WHETHER INTENTIONAL OR INADVERTENT, SHALL INVALIDATE THIS WARRANTY. THIS WARRANTY GIVES YOU SPECIFIC LEGAL RIGHTS, AND YOU MAY ALSO HAVE OTHER RIGHTS WHICH VARY FROM STATE TO STATE.

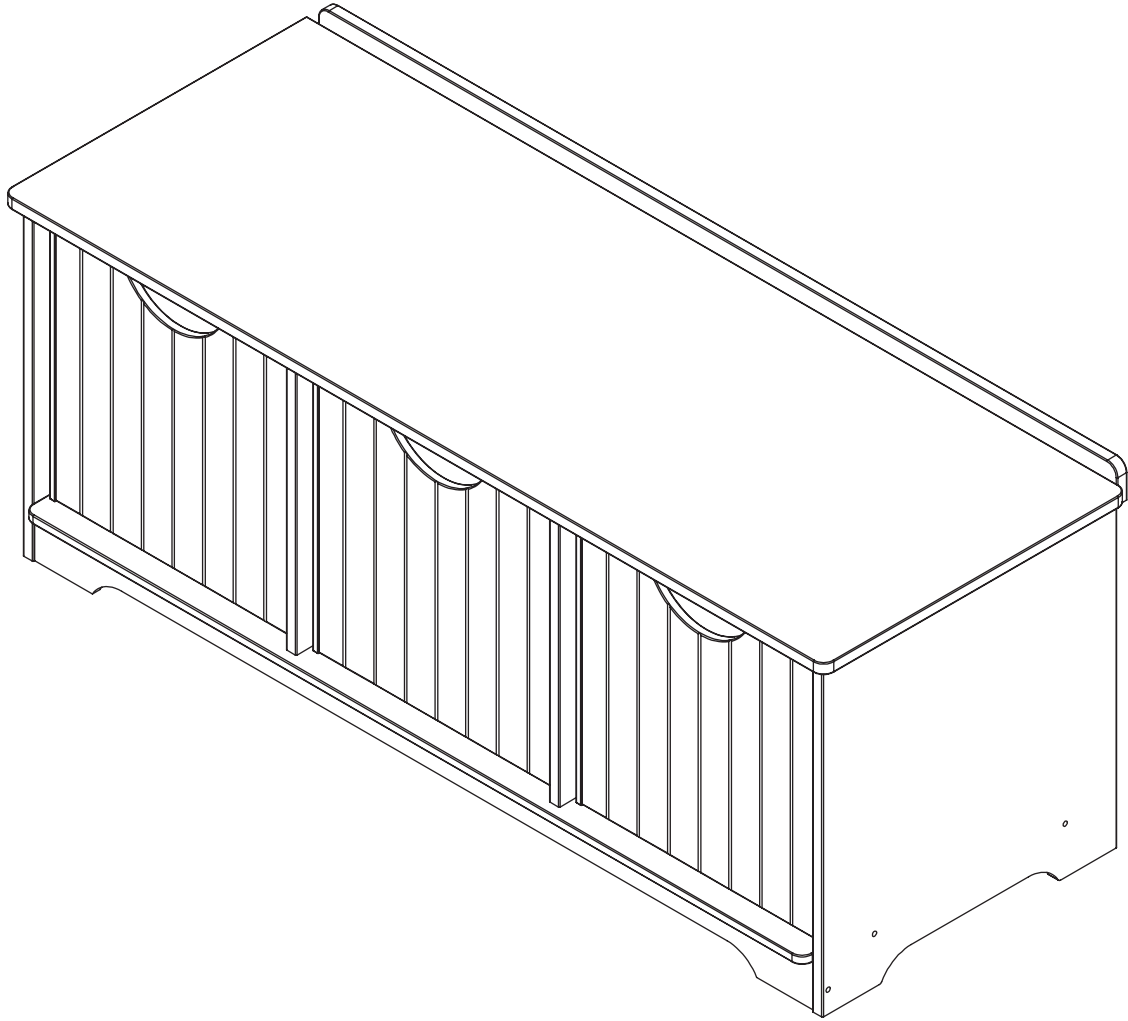
TO SUBMIT A WARRANTY CLAIM PLEASE CONTACT KIDKRAFT CUSTOMER SERVICE AT 1-800-933-0771 FOR INSTRUCTIONS ON HOW TO PROVIDE PROOF OF PURCHASE AND HOW TO RETURN THE ITEM FREIGHT PRE-PAID.

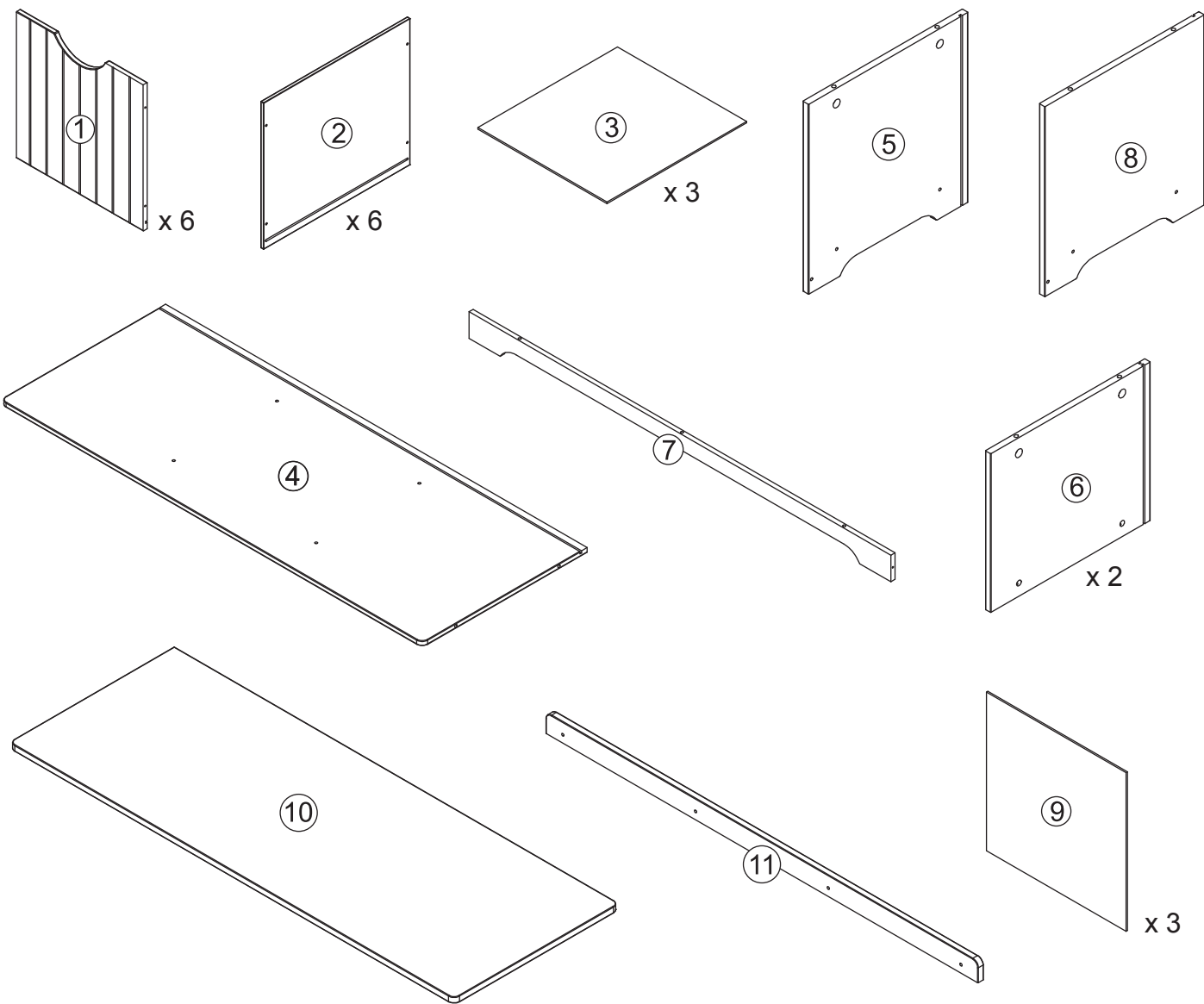
CUSTOMER SERVICE 1-800-933-0771



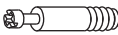




www.kidkraft.com

Assembly Instructions
Instrucciones para ensamblar
Instructions de montage

Montageanleitungen
Montage-instructies



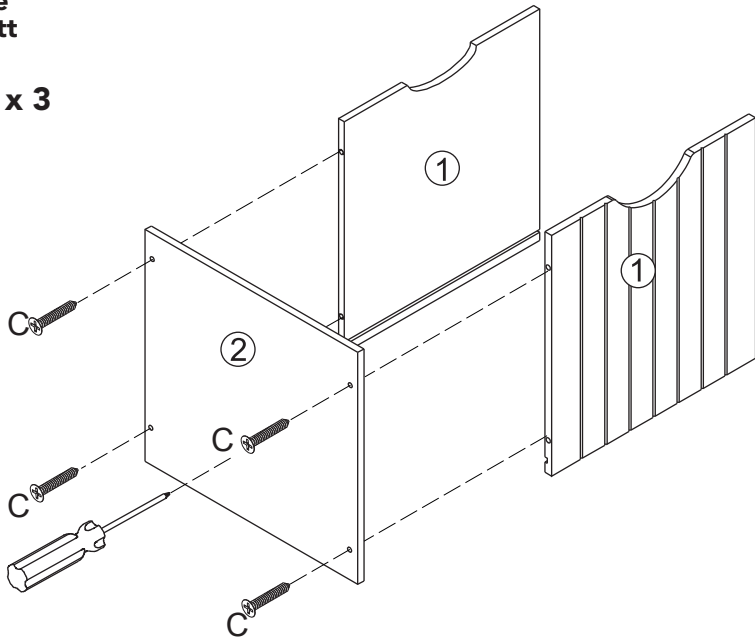


A	x 8	C	x 30	E	x 8	x 1
	42 mm		25 mm			
B	x 8	D	x 3	F	x 8	
						

All hardware dimensions are approximate.
Toutes les dimensions du matériel sont approximatives.

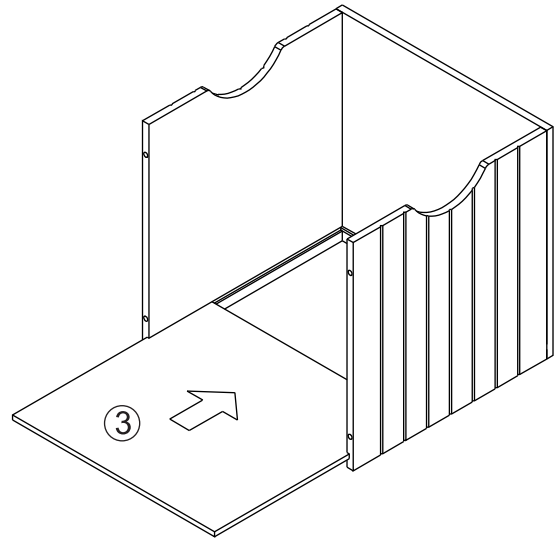
Step
Paso
Étape
Schritt
Stap

1 x 3



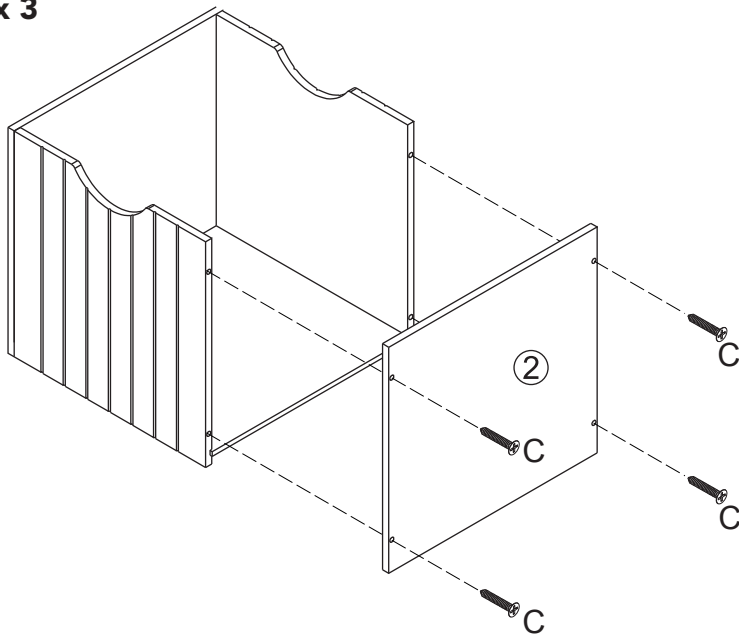
Step
Paso
Étape
Schritt
Stap

2 x 3



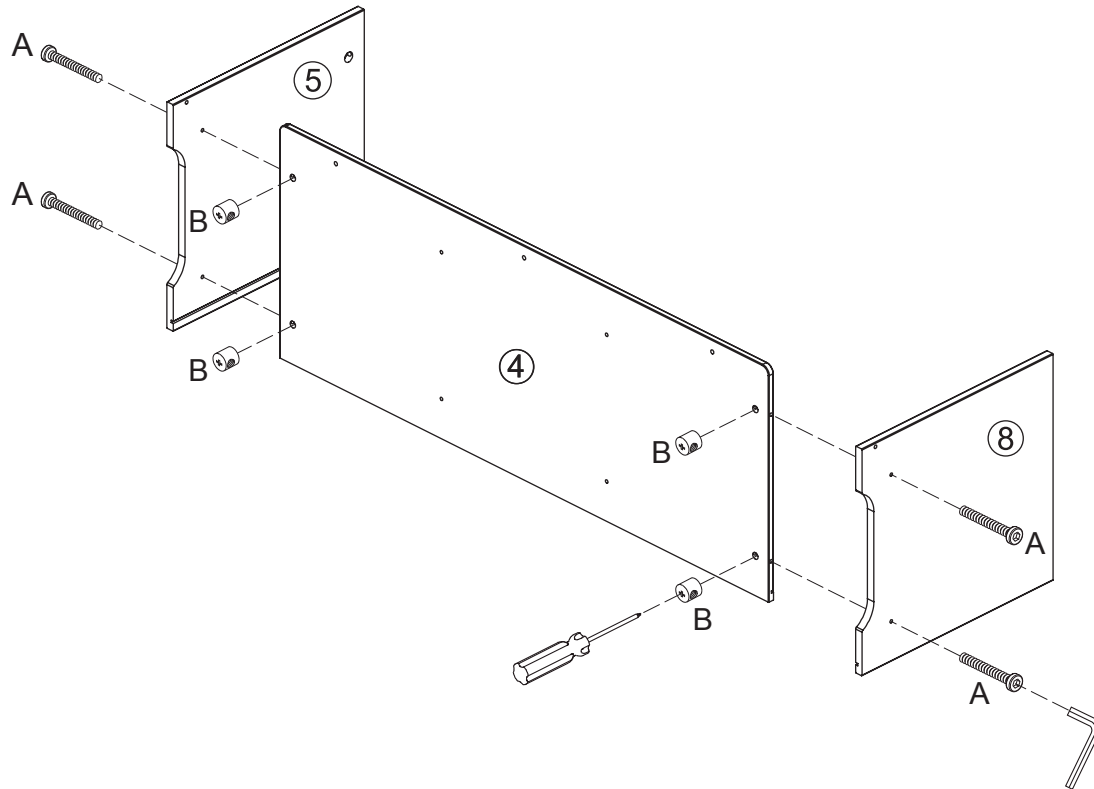
Step
Paso
Étape
Schritt
Stap

3 x 3



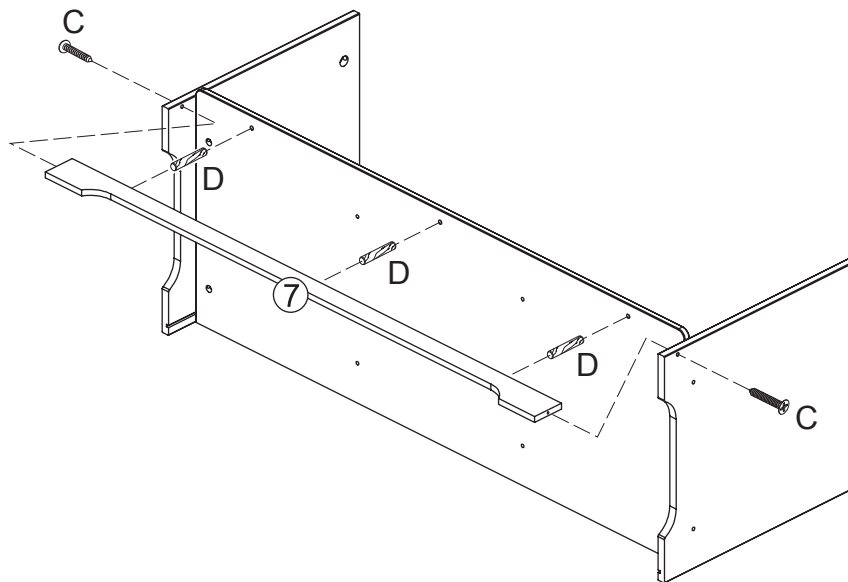
Step
Paso
Étape
Schritt
Stap

4



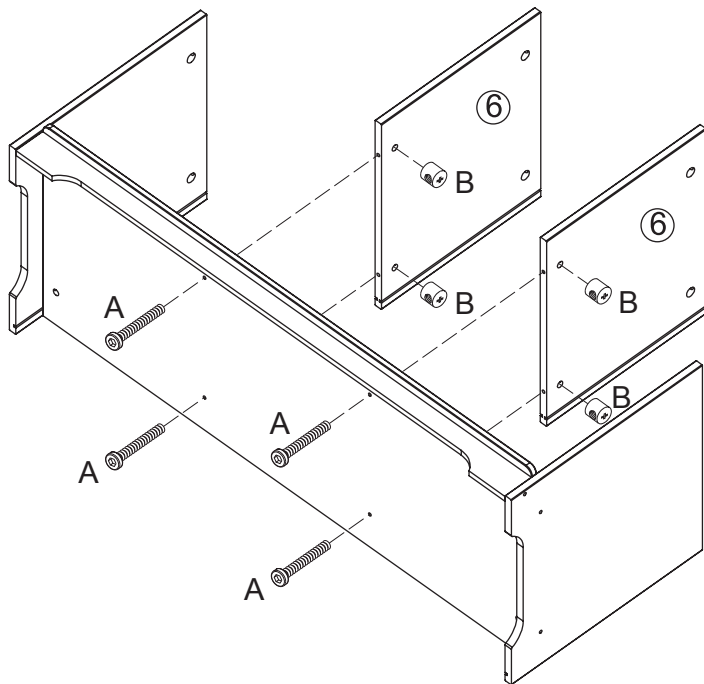
Step
Paso
Étape
Schritt
Stap

5



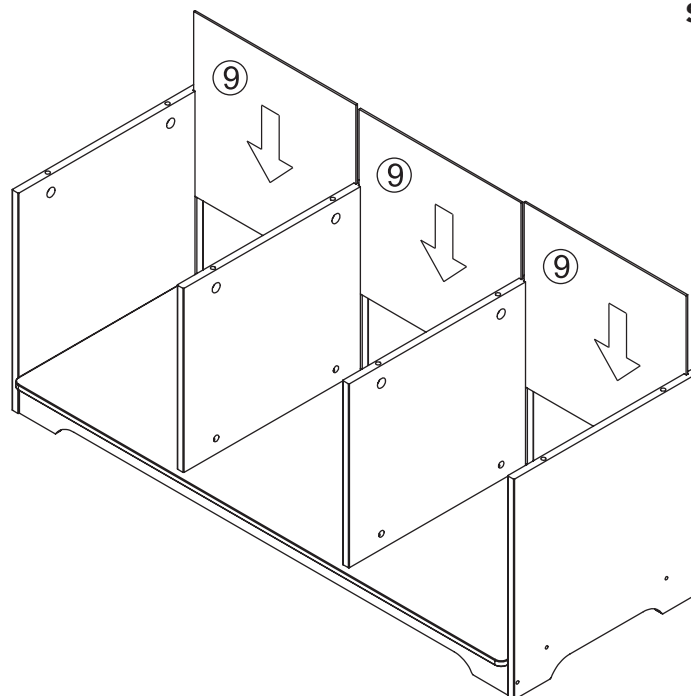
Step
Paso
Étape
Schritt
Stap

6



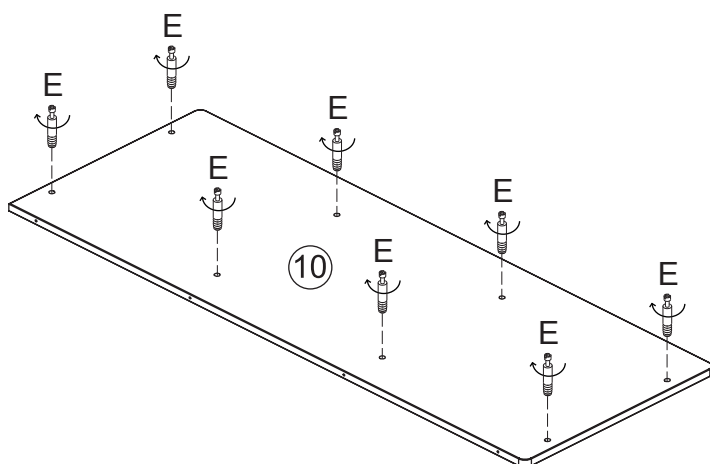
Step
Paso
Étape
Schritt
Stap

7



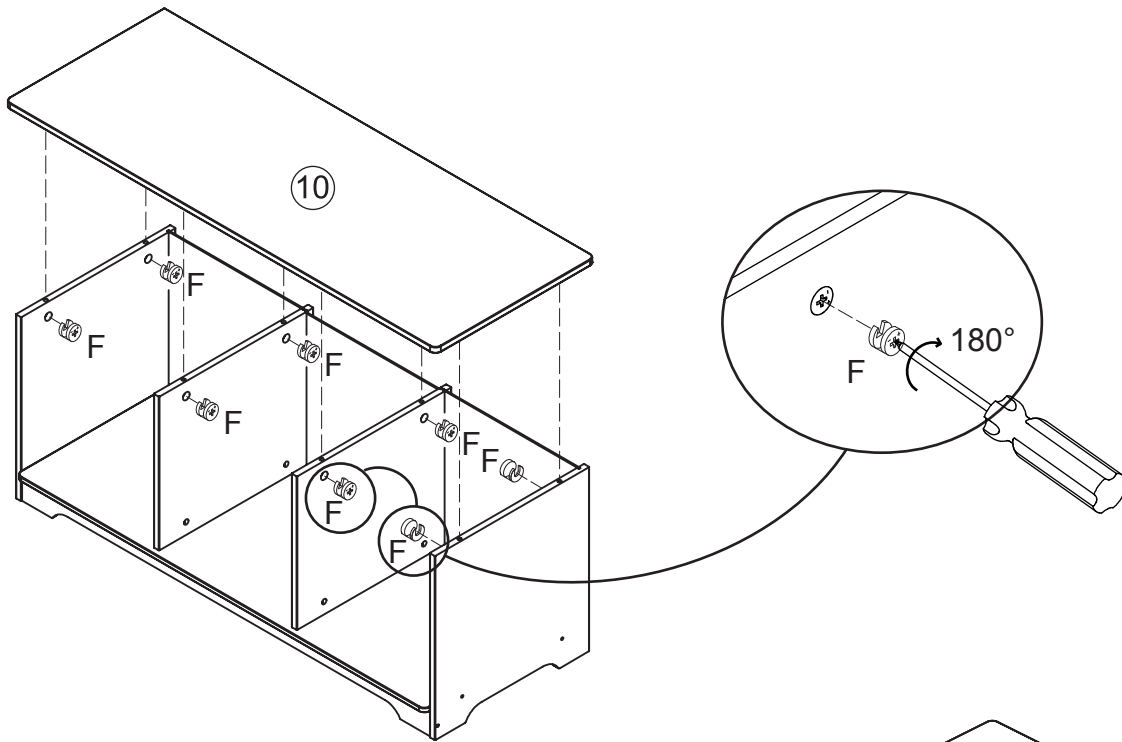
Step
Paso
Étape
Schritt
Stap

8



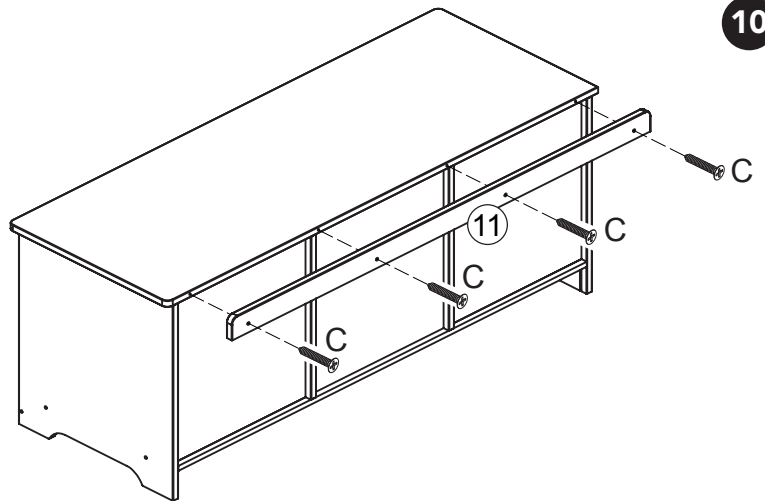
Step
Paso
Étape
Schritt
Stap

9



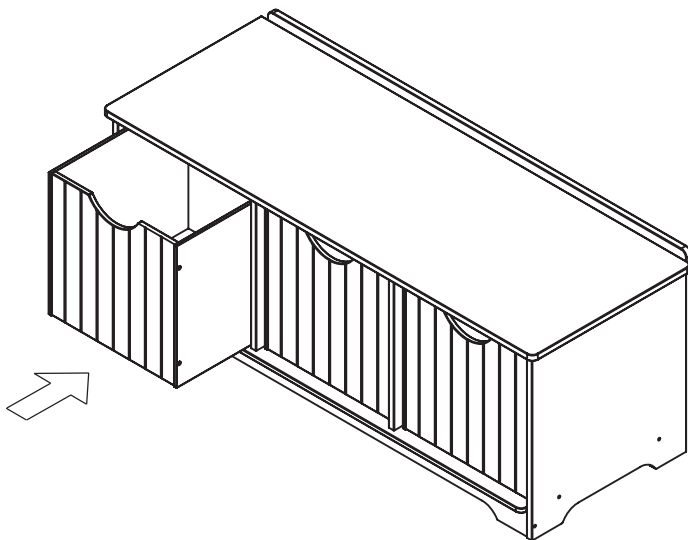
Step
Paso
Étape
Schritt
Stap

10



Step
Paso
Étape
Schritt
Stap

11



KidKraft is here to help!

If you have any issues with your item or need any assistance, please contact us.
Email us with the **item number**, description of the problem,
part number and **batch code**.

(Your batch number is located on the bottom left of this sheet of paper.)

¡En KidKraft estamos para ayudarle!

Si tiene algún problema con su artículo o necesita ayuda, por favor contáctenos.
Envíenos un correo electrónico con **el número del artículo**, descripción del
problema, **número de la pieza y código de lote**.

(Su código de lote se localiza en la parte inferior izquierda de esta página.)

KidKraft est là pour vous aider!

Si vous avez un problème avec un article ou si vous avez besoin d'assistance,
contactez-nous s'il vous plait. Envoyez-nous un e-mail précisant **le numéro de
référence**, la description du problème, **le numéro de référence de la pièce
et le code de lot**.

(Votre la pièce et le code de lot est situé en bas à gauche de cette feuille.)

KidKraft hilft Ihnen gerne!

Sie können uns jederzeit kontaktieren, falls Sie Probleme mit Ihrem Artikel
haben oder sonst Unterstützung benötigen. Senden Sie uns einfach eine E-Mail
mit der **Artikelnummer**, eine Beschreibung des Problems sowie
der **Teile- und Chargennummer**.

(Sie finden Ihre Chargennummer unten links auf dieser Seite.)

KidKraft helpt u graag!

Neem alstublieft contact met ons op als u een probleem heeft met uw artikel of
hulp nodig heeft. Email ons het **artikelnummer**, een omschrijving van het
probleem, het **onderdeelnummer** en de **partij-code**.

(De partij-code vindt u onderaan links op deze pagina.)

Batch Code / Código De Lote / La Pièce

Et Le Code De Lot / Chargennummer / Partij-code:





Contact Us! / ¡Contáctanos! / Nous Contacter! / Kontaktieren Sie Una! / Contacteer Ons!

U.S. / MEXICO

KidKraft
4630 Olin Road
Dallas, Texas 75244
www.kidkraft.com
customerservice@kidkraft.com
1.800.933.0771
972.385.0100

**EUROPEAN REGIONS / REGIÓN DE EUROPA / RÉGION EUROPE /
EUROPAISCHE LANDSTRICHE / REGIO EUROPA**

KidKraft Netherlands BV
Olympisch Stadion 29
1076DE Amsterdam
The Netherlands
www.kidkraft.com
europcustomerservice@kidkraft.com
+31 (0)20 305 8620

CANADA

KidKraft
4630 Olin Road
Dallas, Texas 75244
www.kidkraft.com
canadacustomerservice@kidkraft.com
1.800.933.0771
972.385.0100

AUSTRALIA

KidKraft
Suite 7101,
2 Locomotive Street
Australian Technology Park
Eveleigh, NSW 2015
www.kidkraft.com.au
aucustomerservice@kidkraft.com

.....

ALL OTHER REGIONS / TOUTES LES AUTRES RÉGIONS

info@kidkraft.com

Item Number
Número del artículo
Description d'un article
Artikelnummern
Artikelnummers

14564D, 14565D, 86632

