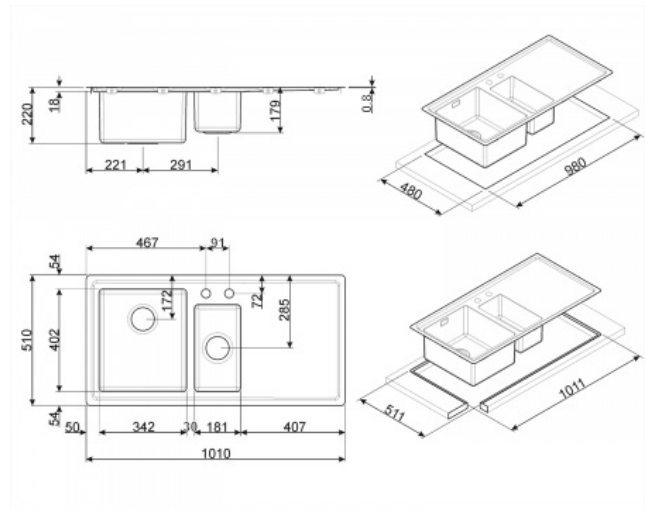


EAN13: 8017709210397

Sink, Mira, Welded sink, Flat, Right, No. of bowls: 1 + 3/4, Stainless steel



TYPE

• Product Family: Sink • Type: Welded sink • Sink material: Stainless steel • Sink dimensions: 100 cm • No. of bowls: 1 + 3/4 • Drainer: Right

AESTHETICS



• Aesthetics: Mira • Colour: Stainless steel • Stainless steel finish: Brushed • Type of steel: AISI304 • Building in type: Flat • Tap hole / precut tap hole: 2 Tapholes

TECHNICAL FEATURES



• Frame thickness: 0.7 mm • Height from kitchen top: 1 mm • Frame depth (mm): 18 • Cutout radius: 5 mm • Cutout dimension (mm): 980 x 480 mm • Base unit size: 80 cm • Tap hole: 2 • Tap hole diameter: 35 mm • Popup command: Yes, double • Popup command type: Squared • Dividing wall width: 75 mm • Drainer inclination: 2 ° • No. of clips: 12 • Gasket type: Sealing paste • Type of clips: Standard

LOGISTIC INFORMATION

• Dimensions of the product (mm): 218x1010x510 mm

RH BOWL



• Bowl type RH: Minimum radius • Bowl thickness (mm): 1 mm • Bowl dimensions, WxDxH (mm): 180 x 340 x 156 mm • Bowl depth (mm): 156 mm • Radius corner right bowl (mm): 15 mm • Strainer position: Wall position • Strainer dimension: 3.5"

LH BOWL



• Bowl type LH: Minimum radius • Bowl thickness LH (mm): 1 mm • Bowl dimensions LH, WxDxA (mm): 340 x 400 x 200 mm • LH Bowl depth (mm): 200 mm • Radius corner left bowl: 15 mm • Overflow LH bowl: Yes, flush fitted • Strainer position LH bowl: Wall position • Strainer dimension LH bowl: 3.5"

ACCESSORIES

Accessories Included

• Accessories for installation: Strainer, Fixing clips, Gasket, Siphon with dishwasher outlet connection, Automatic Pop-UP

OPTIONAL

• **DB34** • Waste disposal 0,5 HP Motor: 1/2 horsepower Fits all sinks with 3 1/2" waste outlet: **KITFD050** • Waste disposal 0,75 HP Motor: 3/4 horsepower Fits all sinks with 3 1/2" waste outlet: **KITFD075** • Waste disposal 1 HP Motor: 1 horsepower Fits all sinks with 3 1/2" waste outlet : **KITFD100** • **KITFD050UK** • **KITFD075UK** • **KITFD100UK** • **TVB2** • **TVN2** • **TVS2**

VERSIONS

- LFT102S: Stainless steel Left