

Bagless Vacuum Cleaner

User's manual

EN



SENCOR®

SVC 510GR / SVC 511TQ /
SVC 512VT (Allegro)

Before first use, please read all instructions contained in this user's manual carefully, even if you are already familiar with using similar products. Only use this product in accordance with the instructions described in the user's manual. Keep the manual for future use.

Save the original packaging, including the internal packing material, warranty card and proof of purchase receipt, at least for the duration of the warranty. If you need to ship this product, pack it in the original cardboard box to ensure maximum protection during shipping or transport (e.g. when moving or when you need to send this product for repair).

EN-1

Bagless Vacuum Cleaner

SVC 510GR / SVC 511TQ / SVC 512VT (Allegro)

CONTENTS

IMPORTANT SAFETY NOTICE	3
DESCRIPTION OF THE VACUUM CLEANER	5
VACUUM CLEANER ASSEMBLY	6
VACUUM CLEANER OPERATION	6
VACUUM CLEANER ACCESSORIES	7
VACUUM CLEANER STORAGE	8
CLEANING AND MAINTENANCE	8
TROUBLESHOOTING	12
TECHNICAL SPECIFICATIONS	12
DISPOSAL OF USED ELECTRICAL AND ELECTRONIC EQUIPMENT	13
INSTRUCTIONS AND INFORMATION REGARDING THE DISPOSAL OF USED PACKAGING MATERIALS	13

IMPORTANT SAFETY NOTICE

- 1) Carefully unpack the product and take care not to throw away any part of the packaging before you find all the parts of the product.
- 2) This product may not be used by any persons (including children) with mental disabilities, weak strength or by inexperienced persons, unless they have been properly trained or schooled in the safe use of the product, or unless they are properly supervised by a qualified person who is responsible for their safety.
- 3) Children must be supervised to ensure that they do not play with the product.
- 4) Before connecting this product to the wall socket, make sure the voltage stated on the label of the product corresponds to the voltage in your wall socket.
- 5) Never use accessories, which have not been supplied with this product or which are not designed for this product.
- 6) Do not place the power cord near hot places or sharp objects. Do not place heavy objects on the power cord. Position the power cord so that it will not be stepped on or tripped over. Make sure the power cord is not touching a hot surface.
- 7) If the power cord of the product is damaged have it repaired by an authorised service technician to prevent causing a dangerous situation. It is forbidden to use the product if it has a damaged power cord or plug.
- 8) Do not disconnect the power cord from the wall outlet by pulling the cord.
- 9) In no case should you attempt to repair the unit yourself, do not make any amendments to it - danger of electric shock! Entrust all repairs and adjustments to a specialised company/service. Failure to do so will expose you to a danger of voiding the warranty policy.
- 10) Never use the product if you have wet hands or feet.
- 11) Only store and use the product away from flammable or volatile materials and solutions.
- 12) This product is designed for household use. Do not use it in industrial surroundings or outdoors!
- 13) Do not use the product for purposes other than those intended.
- 14) Do not spray the product with water or any other liquid. Do not pour water or any other liquids into the product. Do not submerge the product in water or in any other liquid.
- 15) Make sure the product does not come in contact with water. Never use the product near a bathtub, wash basin or any other containers filled with water.
- 16) If you are not using the product, disconnect the power cord from the socket.
- 17) If you will not be using the product, turn it off and disconnect the power cord from the wall outlet. Prior to cleaning, proceed in the same manner.
- 18) Never leave the product switched on without supervision.
- 19) In order to avoid deformation or a fire in the plastic components of the vacuum cleaner, do not expose the vacuum cleaner to direct sunlight, do not place it close to heaters, open fires or other sources of heat and do not leave the vacuum cleaner operating for too long, if the air inflow is blocked.
- 20) Do not use the product in an environment with excessive dust.
- 21) Use extra care if the product is used near children. Always keep the product out of the reach of children.
- 22) If the product is being used, do not block the air inflow and outflow openings. Blocked air vents can cause overheating and motor damage.
- 23) Vacuuming the below mentioned objects can damage your product or cause injuries to the operating person:
 - wet floor, water or other liquids
 - any type of sharp objects such as broken glass or ceramics, needles, pins, etc.
 - burning cigarettes, or smouldering pieces, matches or any other flammable or volatile liquids (e.g. gasoline, paint thinners, etc.)
 - flour, cement, plaster (i.e. dust from holes drilled in walls)
- 24) In order to avoid damaging furniture or injuries to persons, hold the cord in your hands as it winds up.
- 25) Do not vacuum larger pieces of paper or plastic bags. They may easily clog the pipe or hose. In the event that the vacuum cleaner becomes clogged for any reason, turn it off by removing it from the electric socket and clean the pipe or hose.
- 26) In order to avoid damage to the hose, do not step on it or forcefully bend it. Do not use the vacuum cleaner if the hose is bent or damaged in any other way.
- 27) Do not move over the power cord with the vacuum cleaner.

Bagless Vacuum Cleaner

SVC 510GR / SVC 511TQ / SVC 512VT (Allegro)

- 28) Never use the vacuum cleaner without the protective motor filter, the outflow filter, inserted dust container or the HEPA filter.
- 29) Do not place the vacuuming hose, inlet nozzle or vacuuming accessories near to your eyes or ears.
- 30) Vacuuming of some types of floors or floor surfaces can create a static electricity charge, which is not dangerous for the user.

The manufacturer is not responsible for damages caused by incorrect use of this product or its accessories. Such damages include food spoilage, injuries, burns, scalding, fire, etc.

Bagless Vacuum Cleaner

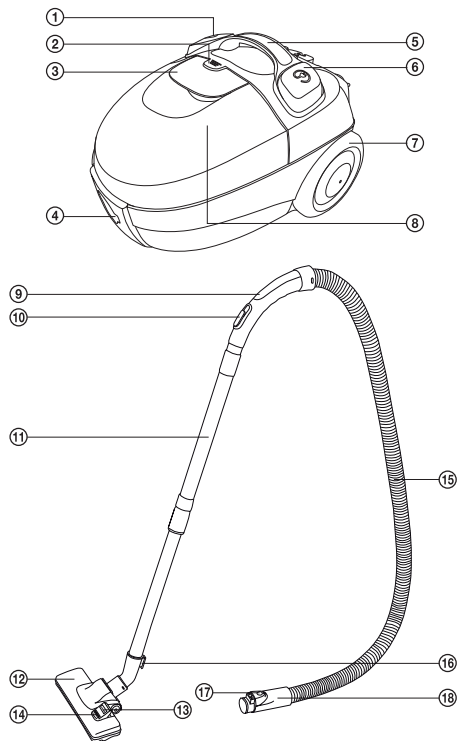
SVC 510GR / SVC 511TQ / SVC 512VT (Allegro)

EN

DESCRIPTION

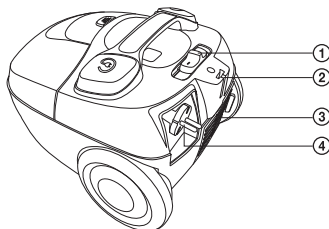
A

- ① START/STOP button
- ② Dust container safety latch
- ③ Dust container handle
- ④ Vacuum hose connection hole
- ⑤ Vacuum cleaner handle
- ⑥ Cord winding button
- ⑦ Rubber wheel
- ⑧ Dust container
- ⑨ Handle
- ⑩ Sliding knob for air suction
- ⑪ Two-part plastic tube
- ⑫ Floor inlet nozzle
- ⑬ Flap position for vacuuming hard (smooth) floors
- ⑭ Flap position for vacuuming carpets
- ⑮ Hose
- ⑯ Stopper for the horizontal parking position
- ⑰ Locking lugs
- ⑱ Hose end



B

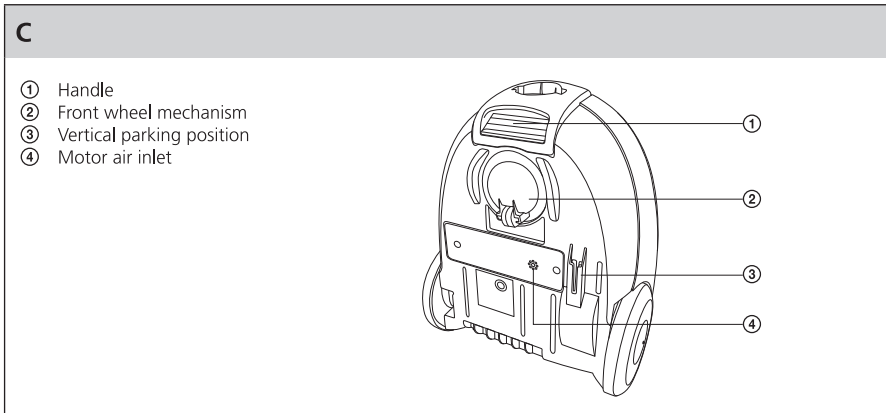
- ① Motor power output control
- ② Horizontal parking position
- ③ Outflow micro-filter cover
- ④ Power cord



EN-5

Bagless Vacuum Cleaner

SVC 510GR / SVC 511TQ / SVC 512VT (Allegro)



ASSEMBLY

Inserting the hose into the air suction hole on the vacuum cleaner:

Insert the hose end into the hole in the vacuum cleaner and turn it so that both lugs on the hose end lock in. The hose is now secured in correct position.

Attach the holder to the tube:

Make sure to place the holder with the hose on the wider part of the tube.

Attach the floor inlet nozzle to the tube:

Place the floor nozzle on to the narrower part of the tube and place the second part of the tube on to it.

USING YOUR VACUUM CLEANER

Connecting your vacuum cleaner to the electrical power grid

Pull the plug attached to the power cord out from the vacuum cleaner until the desired length of the cord is out of the product. Insert the plug into the power socket.



Caution:

Yellow marking on the power cord warns that the power cord is close to its end. Do not pull the cord further than the red marking.

Adjusting the floor inlet nozzle according to the floor surface.

You may set the inlet nozzle according to the floor surface by adjusting the inlet flap:

- If you want to vacuum carpets, close the bristles of the inlet inside the inlet nozzle, by turning the flap accordingly.
- If you want to vacuum hard and smooth surfaces, move the bristles out of the nozzle, by turning the flap accordingly.

Bagless Vacuum Cleaner

SVC 510GR / SVC 511TQ / SVC 512VT (Allegro)

EN

Turning your vacuum cleaner on and off

To switch your machine on or off, press the START / STOP button on the vacuum cleaner body.

Adjusting the suction strength

The suction strength may be adjusted by moving the rider on the vacuum cleaner body (small range) or by the moveable rider on the hose handler.



Tips

- Use the maximum suction strength when vacuuming carpets or floors with a hard surface. Use the reduced strength when vacuuming upholstery, window curtains, etc.
- If the hose holder becomes blocked when vacuuming, disconnect it from the tube and also disconnect the hose from the vacuum cleaner body. Then place the holder inside the suction hole on the vacuum cleaner body and vacuum the stuck dirt out.

Temporary interruption of the vacuuming process

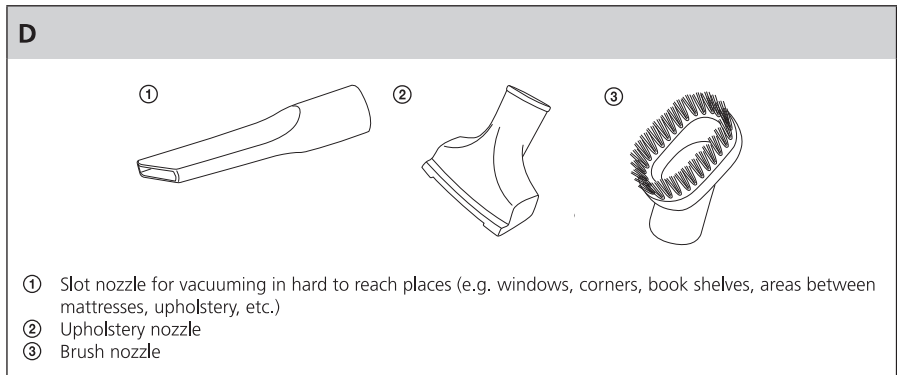
If you want to temporarily stop vacuuming, you can use one of the so-called parking positions, into which you slide the stopper on the floor nozzle together with the tube and hose (pic. A16).



Attention:

Do not move the vacuum cleaner from place to place if the hose is in the parked position! It may break off or the lug for the floor nozzle may break off.

USING YOUR ACCESSORIES



Bagless Vacuum Cleaner

SVC 510GR / SVC 511TQ / SVC 512VT (Allegro)

Ending the vacuuming process

When you finish vacuuming, switch the vacuum cleaner off by pressing the START / STOP button and then disconnect the power plug from the socket.

To wind the power cord back to the vacuum cleaner, press and hold the winding button with one hand. Hold the cord with your other hand to protect the vacuum cleaner input area from damage



Tip:

If the winding process stops and part of the power cord is still outside, release the winding button and pull the cable out again by about 50 cm and press the winding button again and repeat the winding process.

Carrying your vacuum cleaner

It is possible to hold and carry the vacuum cleaner using the handle (pic. A5) or the handle at the front of the vacuum cleaner (pic. C1).



Caution:

Never try to carry your vacuum cleaner by holding the dust container handle!

STORAGE OF VACUUM CLEANER

Before storage you can disassemble your product to each individual part or you can store it assembled with the tube stored in one of the parking positions.

CLEANING AND MAINTENANCE



Caution:

Before cleaning disconnect this product from the power source.

Emptying the dust container

Empty the dust container as soon as the air flow and the suction power of the vacuum cleaner decline.

- 1) Press the safety lock (pic. E1) and pull the dust container handle (pic. E2) up at the same time to remove the dust container from the vacuum cleaner.
- 2) Place the dust container over a waste bin.
- 3) Press the clip on the flip-out lid (pic. E3) on the dust container and carefully remove the lid.
- 4) In the same way tip out the dust and dirt from the dust container into ordinary household waste. If the container is heavily soiled you may wash the entire container under lukewarm running water. However, before doing so, it is necessary to remove the H.E.P.A filter and its foam pre-filter from the container!
- 5) If the plastic conical filter becomes heavily soiled (pic. F1), we recommended that you wash the filter under a strong water current in the shower.
- 6) Place the ends of the lid against the dust container and tilt the lid back so that it clicks into place.
- 7) Place the dust container back into the vacuum cleaner.



Caution:

Before replacing the dust container and the plastic conical filter back into the vacuum cleaner, make sure that all parts are completely dry.

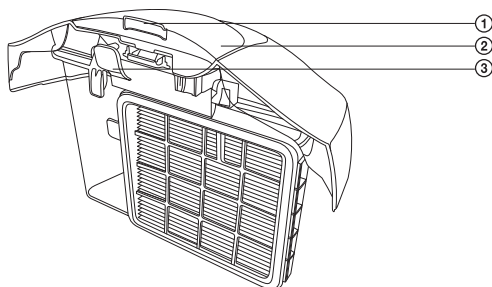
Bagless Vacuum Cleaner

SVC 510GR / SVC 511TQ / SVC 512VT (Allegro)

EN

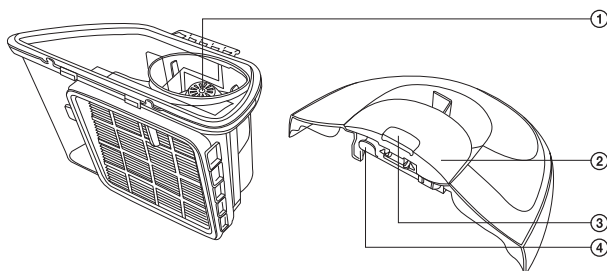
E

- ① Dust container safety latch
- ② Dust container handle
- ③ Dust container lid clip



F

- ① Head of the plastic conical filter
- ② Dust container handle
- ③ Dust container clip
- ④ Dust container lid clip



Replacing and cleaning the H.E.P.A. filter and the foam pre-filter

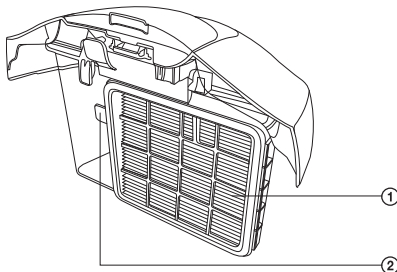
- 1) Press the safety clip and pull the dust container handle up at the same time to remove the dust container from the vacuum cleaner.
- 2) Pull the clip (pic. G2) to take out the H.E.P.A. filter, pulling it towards yourself from the dust container and also take out the foam pre-filter located behind it.
- 3) Wash both filters under running lukewarm water and if necessary replace with new ones.
- 4) Then first insert the foam pre-filter and afterwards the H.E.P.A. filter.
- 5) Place the dust container back into the vacuum cleaner.

Bagless Vacuum Cleaner

SVC 510GR / SVC 511TQ / SVC 512VT (Allegro)

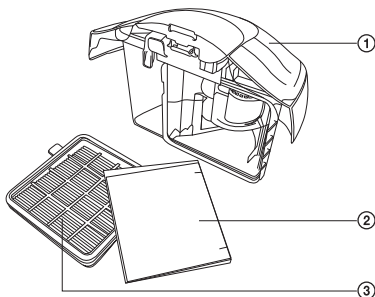
G

- ① H.E.P.A. filter
- ② Safety clip for the H.E.P.A. filter



H

- ① Dust container
- ② Foam pre-filter
- ③ H.E.P.A. filter



Attention:

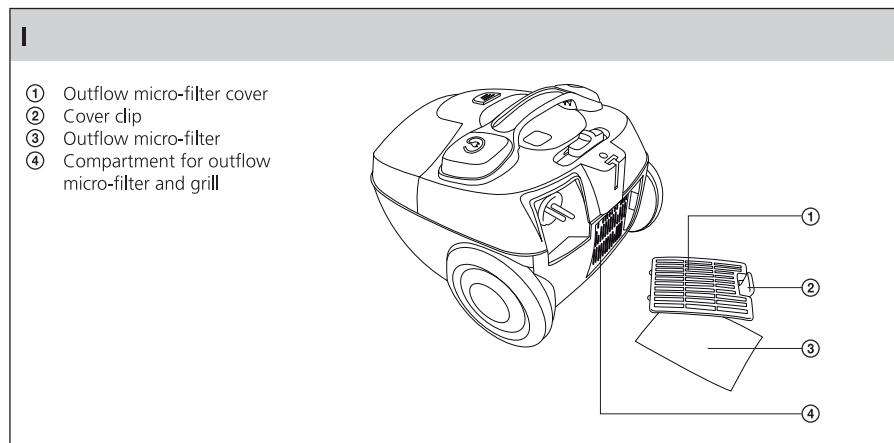
Never insert the filters back into the vacuum cleaner if they are wet or damp! Always wait until they are thoroughly dry. The dust container is equipped with a safety, which in the absence of the H.E.P.A. filter will not make it possible to insert the dust container into the vacuum cleaner.

Bagless Vacuum Cleaner

SVC 510GR / SVC 511TQ / SVC 512VT (Allegro)

EN

Changing the outflow filter



- 1) First take off the grill of the outflow filter by pressing the clip while pulling the entire grill towards yourself.
- 2) Wash outflow micro-filters under running lukewarm water and if necessary replace with new ones.
- 3) After reinserting the outflow micro-filters, attach the cover and click in the clip.



Caution:

Never insert the filters back into the vacuum cleaner if they are wet or damp! Always wait until they are thoroughly dry.

Cleaning your vacuum cleaner.

To clean the outside parts of the product use a fine cloth dipped in lukewarm water. Do not use aggressive cleaning agents, paint thinners or solvents. Using these solutions could damage the surface of the product.

Bagless Vacuum Cleaner

SVC 510GR / SVC 511TQ / SVC 512VT (Allegro)

TROUBLESHOOTING

Before you decide to contact an authorized service centre, please read these following tips in the troubleshooting chart:

Problem	Possible cause	Recommended action
The engine will not start	<ul style="list-style-type: none"> - The power cord is not firmly inserted in the socket - The wall power outlet is damaged - The vacuum cleaner is not switched on 	<ul style="list-style-type: none"> - Insert the plug firmly into the power outlet - Inspect the power outlet - Turn the product on.
The suction output is insufficient	<ul style="list-style-type: none"> - The product is clogged - The dust filter needs cleaning. - The dust container is inserted in the wrong position - The filter is clogged 	<ul style="list-style-type: none"> - Remove the blockage or foreign object - Clean the dust filter - Close the dust container - Clean the filter
The power cord is not wound in completely	The power cord may have slipped down from the winding pulley during winding.	Hold the power cord during the winding. Apply slight tension (by pulling the power cord back) to the power cord during the winding process
The power cord cannot be pulled out	The power cord is wound up incorrectly	Press the winding button and try to rewind the power cord again
The speed control is not working.	The product is out of order	Have the product repaired by technician. (only by a qualified technician).
The power cord starts to wind in when you do not required.	The winding mechanism is out of order	Have the product repaired by a technician. (only by a qualified technician).
The dust container cannot be closed	The dust filter is inserted incorrectly or in an incorrect position	Reinstall and secure the filter in position and try again

TECHNICAL SPECIFICATIONS

Nominal voltage	220 – 240 V AC
Nominal frequency	50 Hz
Rated power input.....	890 W
Safety class (with regard to electric shock protection)	II
Noise level	76 dB(A)
Length of the power cord	5 m
Operating range	7.5 m
Dust container capacity	1.5l
Dimensions (length x width x height)	330 x 277 x 225 mm
Weight	3.5 kg

The declared noise emission level of the appliance is 76 dB(A), which represents a level A of acoustic power with respect to a reference acoustic power of 1 pW.

Amendments to text and technical parameters are reserved.

Bagless Vacuum Cleaner

SVC 510GR / SVC 511TQ / SVC 512VT (Allegro)

EN

PRODUCT INFORMATION SHEET

Name/trademark	SENCOR
Model identification number	SVC 510GR, 511TQ, 512VT
Energy efficiency class*	B
Annual power consumption (in kWh)**	29.3
Carpet cleaning efficiency class	D
Hard floor cleaning efficiency class	A
Vacuum cleaner dust emission class	D
Level of acoustic power (dB(A))	76
Rated power input (W)	890 W

* Class A (highest efficiency class, low power consumption) to Class G (lowest efficiency class, high power consumption)

** Approximate annual power consumption (in kWh per year) based on 50 cleaning cycles. Actual power consumption will depend on how the appliance is used.

The values are determined pursuant to (EU) No. 665/2013.

Bagless Vacuum Cleaner

SVC 510GR / SVC 511TQ / SVC 512VT (Allegro)

INSTRUCTIONS AND INFORMATION REGARDING THE DISPOSAL OF USED PACKAGING MATERIALS

Dispose of packaging material at a public waste disposal site.

DISPOSAL OF USED ELECTRICAL AND ELECTRONIC EQUIPMENT



The meaning of the symbol on the product, its accessory or packaging indicates that this product shall not be treated as household waste. Please, dispose of this product at your applicable collection point for the recycling of electrical & electronic equipment waste. Alternatively in some states of the European Union or other European states you may return your products to your local retailer when buying an equivalent new product. The correct disposal of this product will help save valuable natural resources and help in preventing the potential negative impact on the environment and human health, which could be caused as a result of improper liquidation of waste. Please ask your local authorities or the nearest waste collection centre for further details. The improper disposal of this type of waste may fall subject to national regulations for fines.

For business entities in the European Union

If you wish to dispose of an electrical or electronic device, request the necessary information from your seller or supplier.

Disposal in other countries outside the European Union

If you wish to dispose of this product, request the necessary information about the correct disposal method from local government departments or from your seller.



This product meets all the basic EU regulation requirements that relate to it.