



## NILA

**WC pan 66x35 cm.**

**REF: 17180**

WC with simple lines, P trap, which adapts to different interior design styles.

Set price includes: Close-coupled WC suite, complete cistern with simple push-button and polypropylene fixed seat.

## REF 17180

### COLOURS/FINISHES

01  
White

### ARTICLES

Ref	Product/Set	Measurements
	Close-coupled WC suite	
17180	WC pan for low cistern, horizontal outlet	66 x 35 cm
17541	Low cistern with dual push-button mechanism 6/3 litres	
51382	Fixed polypropylene seat	
<b>Options</b>		
17548	Low cistern with dual push-button mechanism 6/3 litres	

### PRODUCT INFORMATION

#### Features

WC pan 66 x 35 cm. horizontal outlet, with bolt kit. / 18 kg. / 40 units pallet.

#### Guarantee

Gala products are guaranteed against any manufacturing defects, from the date of purchase of the product, only if the installation has been carried out in accordance with Gala's installation instructions and, applying the current legislation on electrical and sanitary appliances, by authorised staff. The guarantee period for vitreous china is of 5 years.

#### Installation

Please check our product installation manuals.

#### Maintenance

Cleaning should preferably be carried out using liquid detergent and a brush or sponge. Do not scrape with metal blades or steel scourer. Every six months it is advisable to check the wastepipe connections and check that there are no leaks.

### SUGGESTIONS

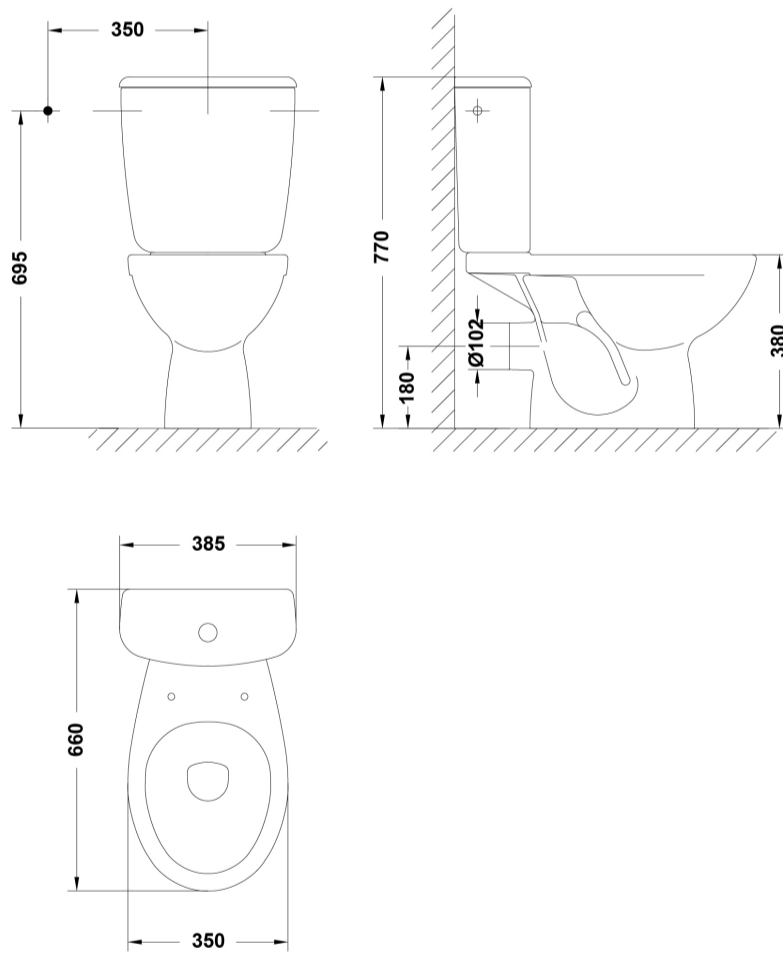


### SETTING







---

TECHNICAL DRAWINGS



## 2D

-  88.73 KB [↓](#) WC pan 66x35 cm. - Técnico (.AI)
-  64.63 KB [↓](#) WC pan 66x35 cm. - Técnico (.DWG)
-  458.25 KB [↓](#) WC pan 66x35 cm. - Técnico (.DXF)
-  111.87 KB [↓](#) WC pan 66x35 cm. - Técnico (.PDF)