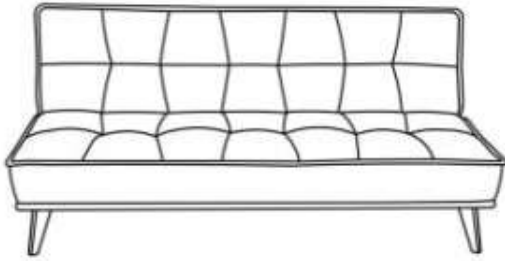
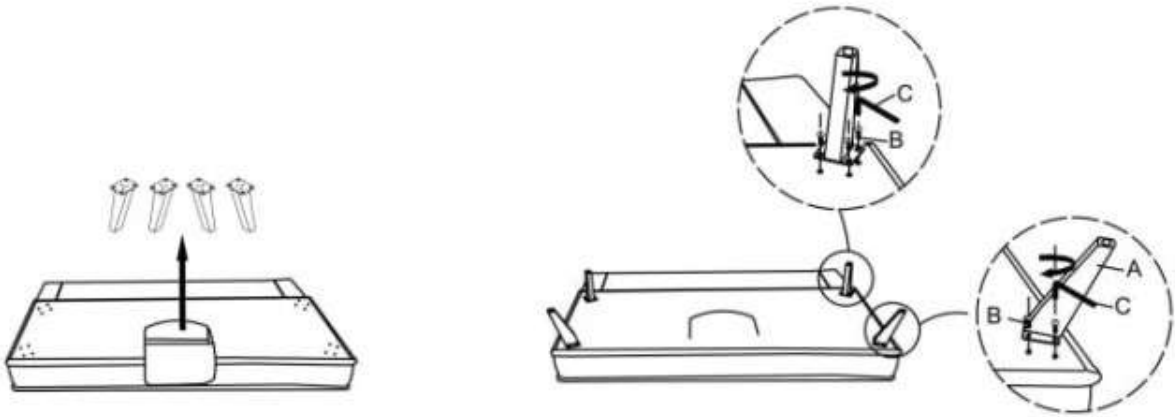


URBAN



| A | B | C |
|-------|--------|-------|
| 4 pcs | 16 pcs | 1 pcs |
| | | |

1.



2.



3.

