



Suspension Child Carrier

EN

DE

FR

ES

IT

JP

KR

CHS



User needs check whether there are any laws specific to the carrying of children in seats attached to cycles that apply in the country in which the seat is used.

It is recommended a professional bicycle shop assemble and install the BabySeat II to your bike.

It is imperative that you read this owner's manual prior to installation.

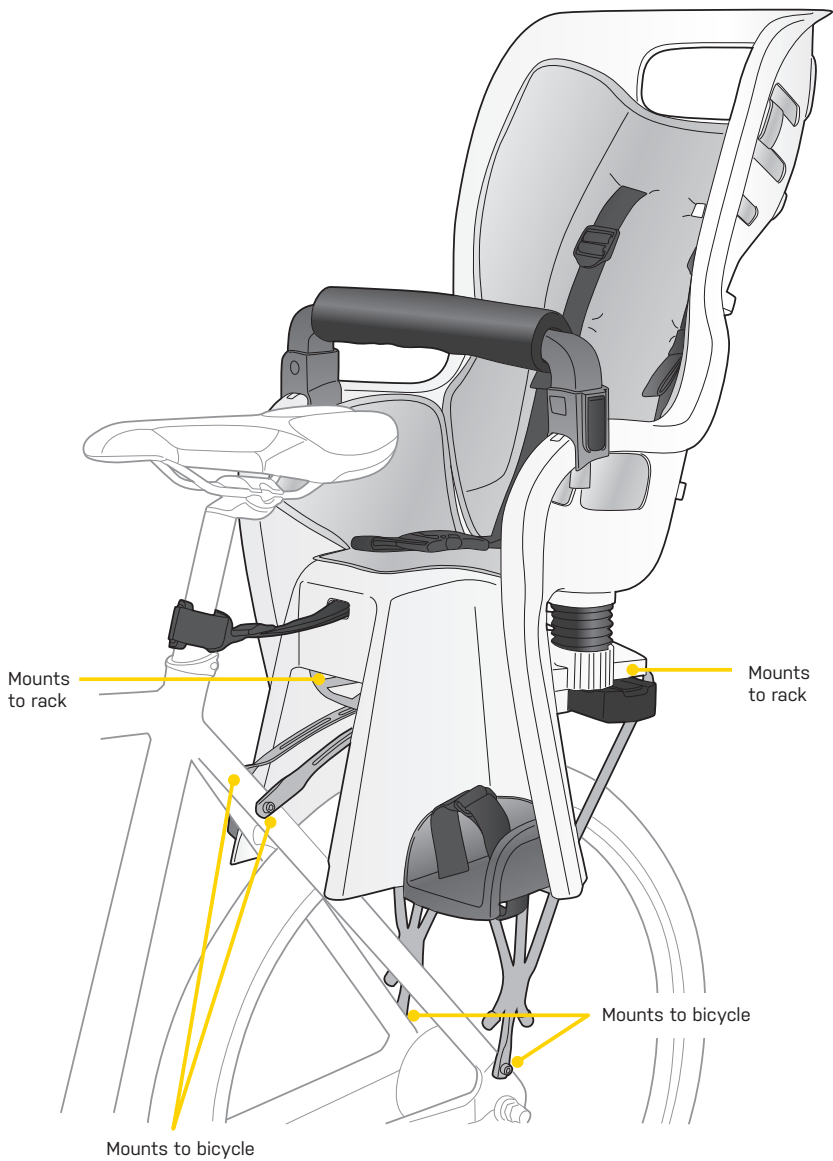
Load Class: A22 (22 kg / 48.5 lb)

TOOLS REQUIRED FOR ASSEMBLY:

5mm Allen Key

Table of Contents

Getting To Know Your Topeak BabySeat	4
Mounting Rack To Bicycle	6
Mounting BabySeat To Rack Surface	8
Securing BabySeat To SeatPost	9
Opening Grab Bar	10
Adjusting Height Of Footrests	11
Fitting Your Child In BabySeat	12
Release Seat Pad	13
Caution Notes	14



Getting To Know Your Topeak BabySeat

These pages will help you to identify the different parts of your Topeak BabySeat.

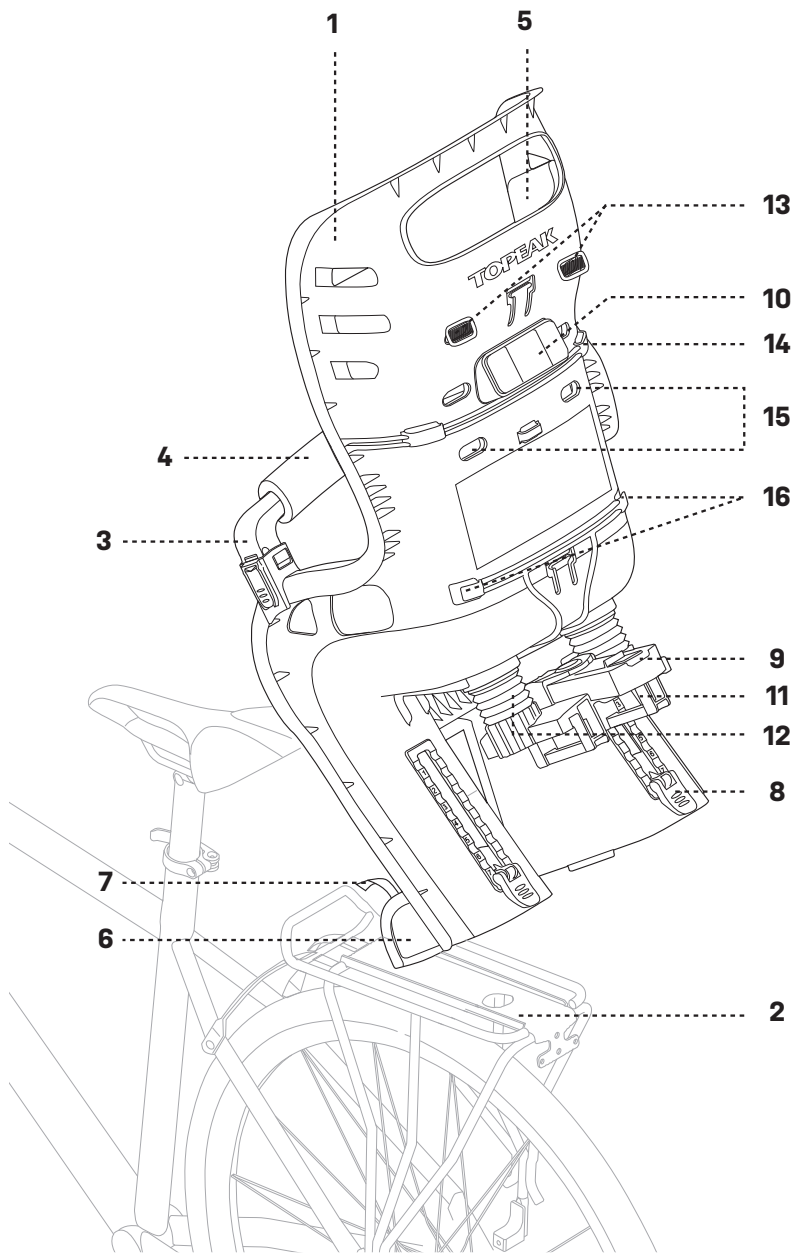
ILLUSTRATED PARTS LIST:

- | | |
|---|--|
| 1. SEAT | 9. SLIDE LOCK WITH BUTTON
(in storage position) |
| 2. RACK | 10. REFLECTOR |
| 3. GRAB BAR | 11. SHOCK ABSORBING BASE |
| 4. GRAB BAR PAD | 12. SPRING BARREL x 2 |
| 5. SEAT PAD | 13. SECURING BUCKLE |
| 6. FOOTRESTS x 2 | 14. BACK LOOP |
| 7. FOOT STRAPS x 2 | 15. LOWER HOLE |
| 8. QUICK ADJUST LEVER FOR FOOTRESTS x 2 | 16. BACK HOOK |

MAINTENANCE:

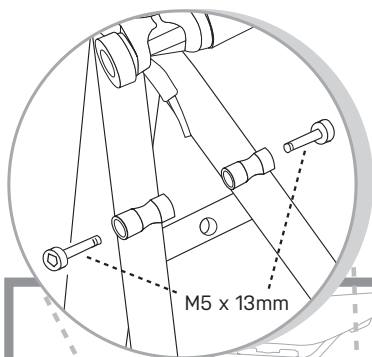
Please use mild soap and water to clean BabySeat, seat pad, safety harness and grab bar pad should be hand washed only. Occasionally lubricate rack and BabySeat hardware with Teflon® based lubricant.

* Teflon® is a registered trademark of DuPont.

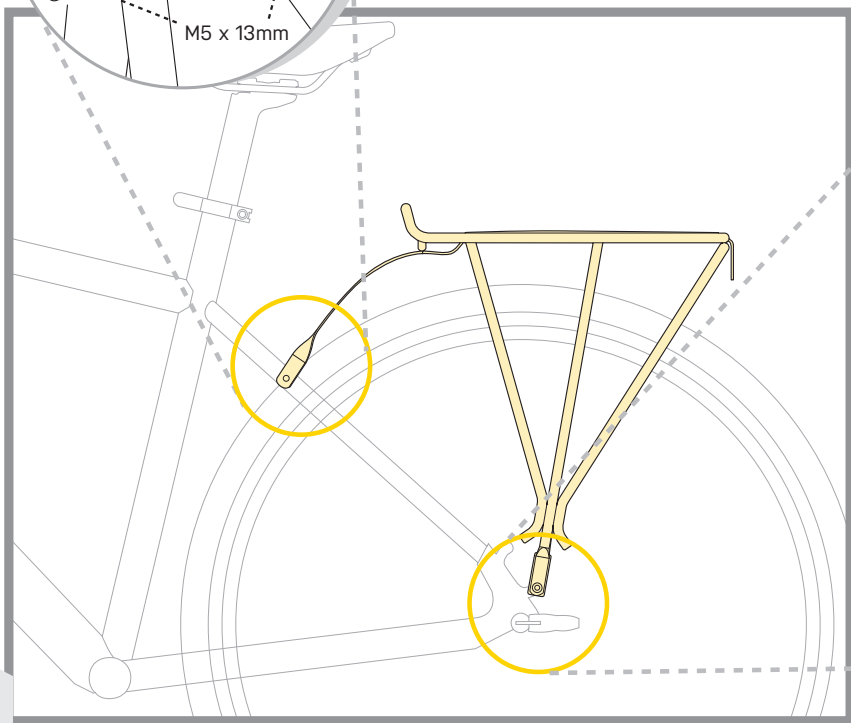


Mounting Rack To Bicycle

Follow these illustrations for mounting rack to bicycle. Make sure rack is level with ground before tightening hardware. Several adjustments are available to help level rack.



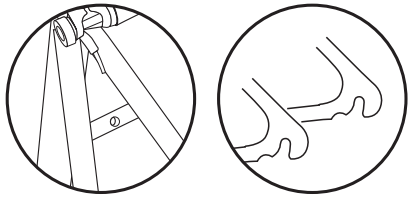
Slide rack hardware forward or back to determine correct positions before tightening Phillips screws on rack surface.



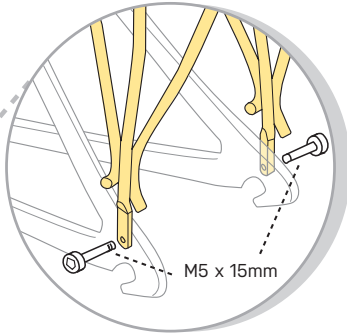


CAUTION

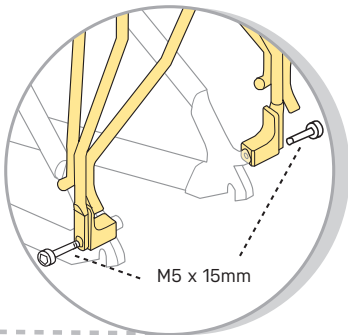
The Topeak BabySeat is designed to work on frames with seatstay rack mounts AND threaded dropout eyelets only. Do not use the Topeak BabySeat on frames without these fittings for safety reasons.



X NO



BabySeat Rack w/o disc Mounts

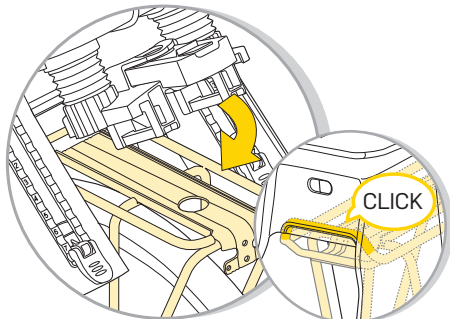


BabySeat Rack w/ disc Mounts

Attach base of rack strut to frame rear dropout. Most frame dropouts provide more than one mounting point.

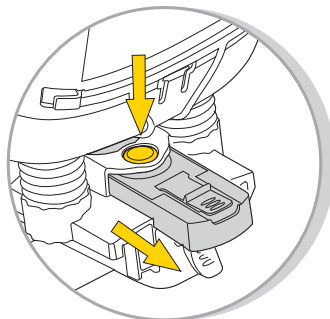
Mounting BabySeat To Rack Surface

1 Mount BabySeat on rack



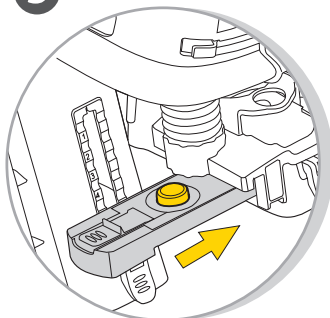
Hook seat onto front rail of rack. Rotate seat down on rack surface until snapped into positive engagement.

2 Remove slide lock from storage position



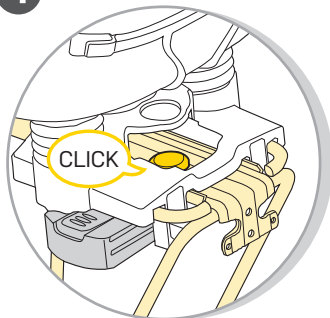
Press the red button and pull the slide lock back away from seat.

3 Install slide lock on rack



Press red button and push slide lock back into rack.

4



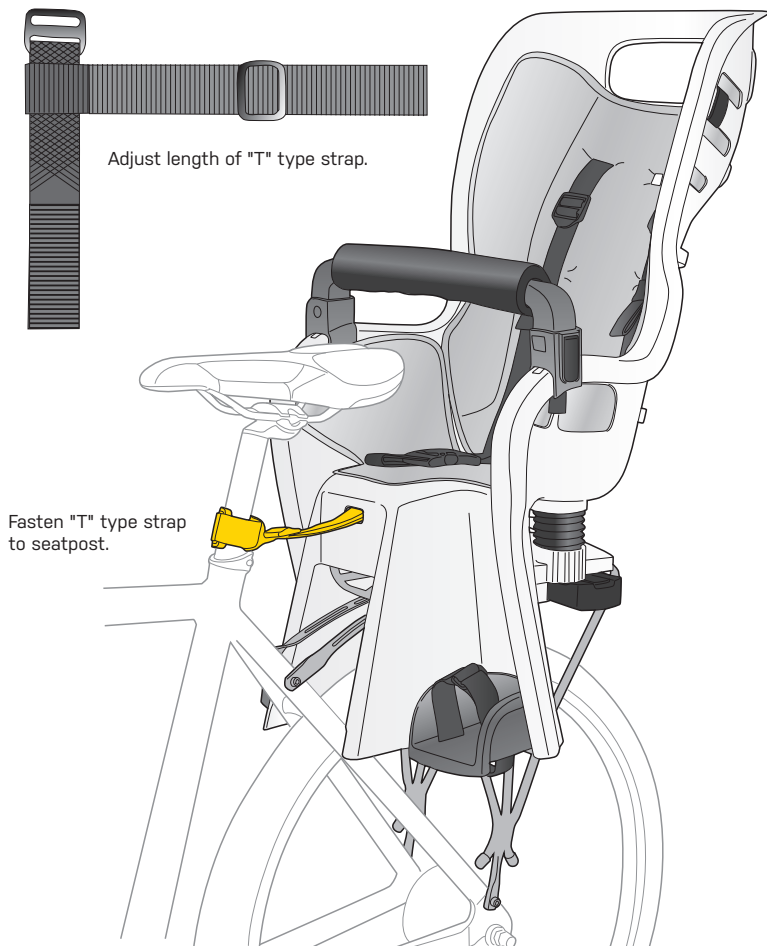
Make sure positive engagement "click" is heard and red button is protruding through hole in rack surface.

CAUTION

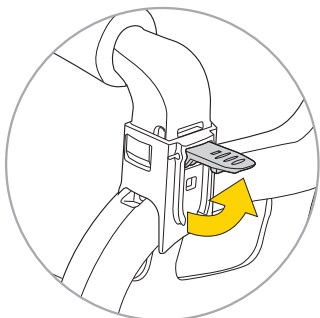
- If sliding lock fails to slide into rack or if red button does not protrude through the rack surface the installation is incorrect.
- If your saddle has exposed springs, please cover springs adequately to prevent pinching child passenger.
- Never modify BabySeat or rack from their original specifications.
- Do not attach additional luggage to the child carrier. Recommend to carry such loads at the opposite end of the cycle, e.g. in the case of a rear seat, to use a front luggage carrier.
- Ensure that your bike is stable before installing or removing BabySeat.

Securing BabySeat To SeatPost

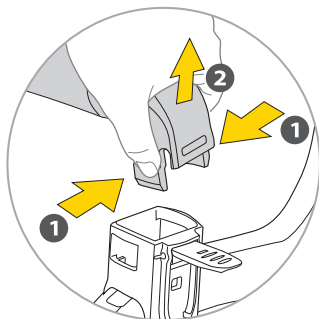
"T" type loop and hook strap is a safety device designed to connect BabySeat and seatpost.
Please be sure to fasten it to seatpost immediately after mounting BabySeat on rack. The "T" strap should only be disconnected from seatpost if removing BabySeat from rack.



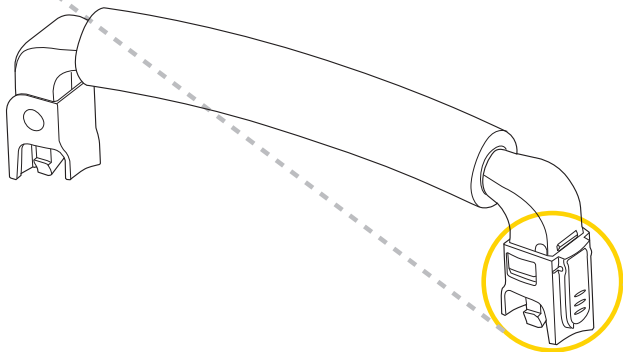
Opening Grab Bar



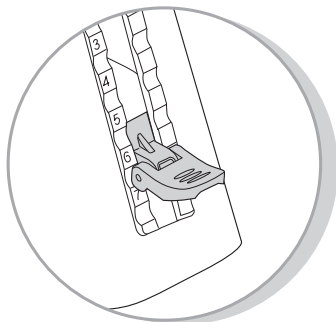
Lift up the lever



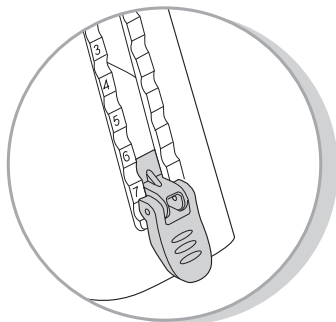
Press tabs and lift to
open grab bar as shown.



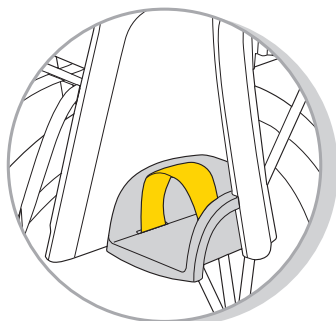
Adjusting Height of Footrests



Lift lever to adjust height of footrests.



Push lever down to lock.



Adjust the foot strap as necessary.



CAUTION

NEVER LEAVE CHILD IN BABYSEAT WITH ONLY THE KICKSTAND SUPPORTING THE BICYCLE.

1. Have someone help support bicycle while placing child in BabySeat.
2. Place child in comfortable position in BabySeat II. Adjust and fasten safety harness over child.
3. Note position of child's feet and legs and tighten the foot straps after placing child in comfortable position. Remove child from BabySeat and adjust footrests as necessary.
4. Don't use the BabySeat if any part is broken.

Fitting Your Child In BabySeat

BabySeat shoulder buckle straps adjust in a high or low position. Make sure they are in the correct position for your child's size.

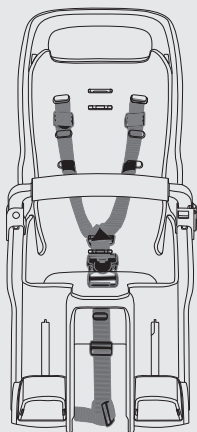


✓ OK



✗ NO

Shoulder Strap Is Too High.



High Position

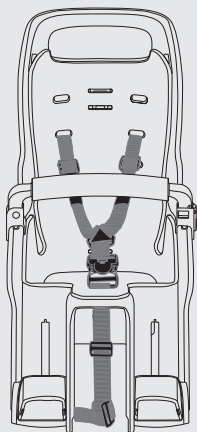


✓ OK



✗ NO

Shoulder Strap Is Too Low.



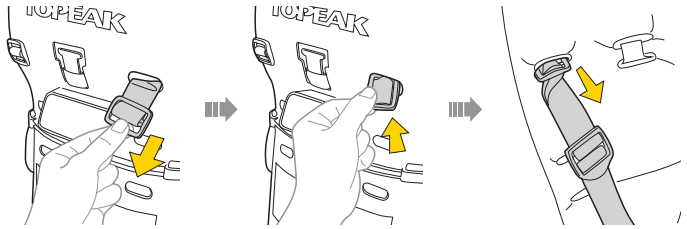
Low Position

! CAUTION

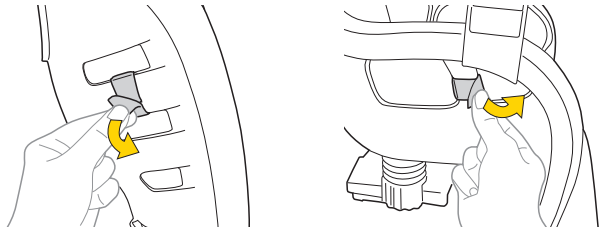
Make sure the buckle straps are assembled correctly on the back side of BabySeat as shown above.

Release Seat Pad

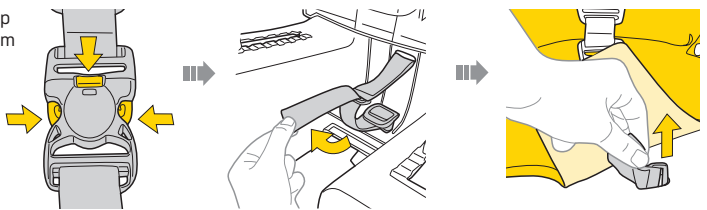
- 1** Release the buckle strap from back side.



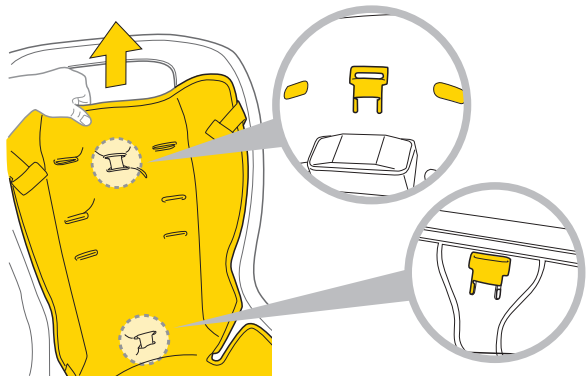
- 2** Remove the fastener on the both sides of BabySeat.



- 3** Release strap on the bottom of seat pad and release the buckle strap.



- 4** Release the buckle strap from back side of seat pad and remove the seat pad from the back hook behind BabySeat.



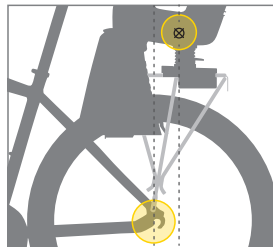


CAUTION



1. Carry only a child who is able to hold his/ her head up while wearing a correctly sized bicycle helmet. The age and weight limits for the BabySeat rack are **1-4 years old**, and **20 lb - 48.5 lb (9 kg - 22 kg)** respectively. Never exceed these limits.
2. Bicycle operator's age must be at least 18 years old.
3. The load of a baby carrier may lessen the stability and alter the riding characteristics of the bicycle, particularly regarding steering and braking.
4. Make sure bicycle is stable and under control when loading and unloading child.
5. This baby seat system is not compatible with rear suspension bikes.
6. The bicycle to which the BabySeat and rack is mounted must be in good working order, of a type appropriate for the additional load, and of proper size and adjustment for the operator. See bicycle owner's manual for additional bicycle loading information. Make sure not to overload your bicycle when using the BabySeat and rack, and make sure not to attach additional luggage or accessories to the rack.
7. BabySeat rack is designed for use on 26" wheel and 700C wheel bicycles only.
8. Bicycle operator and child should always wear helmets which have been approved by nationally recognized standards.
9. The bicycle operator should avoid busy streets, bad weather and ride with extra care and reduced speed.
10. Make sure BabySeat safety harness is fastened correctly and firmly over child.
11. Never leave child alone unattended in BabySeat.
12. Rear seats that are fixed to the luggage carrier shall have an additional fastening, not removable from the seat, which shall be attached to another part of the cycle and limits rearward movement of the seat.
13. When walking bicycle with child in BabySeat, hold rack with one hand and hold handlebar with the other.
14. Tighten fasteners securely before each use and check them frequently.
15. Before each ride, ensure the mounted BabySeat does not interfere with braking, pedaling, or steering of the bicycle.
16. Do not allow any of the child's body, clothing, shoe laces, or toys to come in contact with moving parts of the bicycle (e.g. wheels and brakes) and recheck as the child grows.
17. Do not carry a child that is too young to sit safely in the seat. Carry only children that are able to sit unaided for a longer period of time.
18. Ensure that the seat does not slope forwards, so that the child does not tend to slide out of it, the backrest should slope backwards slightly.

19. Make no modifications to the BabySeat and rack.
20. Never ride the bicycle at night without adequate lighting.
21. Always remove BabySeat from the rack when the bicycle is being transported on a motor vehicle. This is necessary because the force of the high wind on BabySeat may degrade or damage BabySeat or the rack to the point that they will not perform reliably.
22. Presence of a child carrier on a bicycle may require alteration of the method used by the rider to mount or dismount the bicycle. Care must be taken whenever the rider gets on or off the bicycle.
23. Ensure that there are no sharp objects which the child can touch, e.g. frayed cables.
24. When no child is being carried, fasten the retention system buckles so the straps do not hang loosely.
25. Advice that child in babyseat need to be more warmly clothed than riders and child should be protected from rain.
26. Check any excessive temperature (e.g. due to direct exposure to sun) of the seat before placing the child in it.
27. Cover any exposed rear saddle springs to avoid any possible injury.
28. Ensure that the restraint system is not loose or able to become trapped in any moving parts particularly the wheels, including when the cycle is ridden without a child in the seat.
29. Please connect your nearest Topeak authorized bicycle dealer if you found any broken or damage parts of the babyseat.
30. Ensure initially and to re-check from time that the child's weight and size do not exceed the maximum capacity of the seat.
31. The cycle may behave differently with a child in the seat. Particularly with regard to balance, steering and braking.
32. The stated distance between the center of gravity mark and front of the rear wheel axis should be less than 100 mm.
33. A rear reflector that complies with CPSC regulations must be visible whether the carrier is on the bicycle or not.



- Failure to comply with these operating instructions can lead to serious injury or death of the bicycle operator and/ or child.
- Additional security devices shall always be fastened.
- For safety reasons this seat shall only be fitted to luggage carriers conforming to ISO 11243.

WARRANTY

2-year Warranty: All mechanical components against manufacturer defects only.

Warranty Claim Requirements

To obtain warranty service, you must have your original sales receipt. Items returned without a sales receipt will assume that the warranty begins on the date of manufacture. All warranties will be void if the product is damaged due to user crash, abuse, system alteration, modification, or used in any way not intended as described in this operating manual.

* The specifications and design are subject to change without notice.

Please contact your Topeak dealer with any questions.

For USA customer service call: 1-800-250-3068

www.topeak.com

Stamp and signature of Topeak dealer

BABYSEAT II

Remove BabySeat II From Rack

- 1** Press the yellow lever and red button at the same time



- 2** Remove the slide lock then push into storage position



- 3** Lift off BabySeat



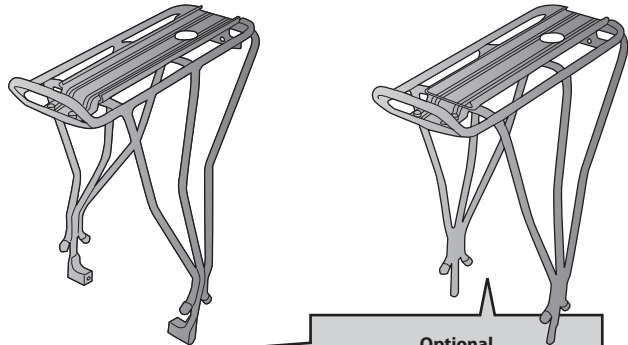
Please contact your Topeak dealer with any questions.

For USA customer service call: 1-800-250-3068

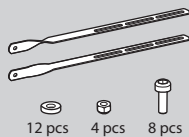
www.topeak.com



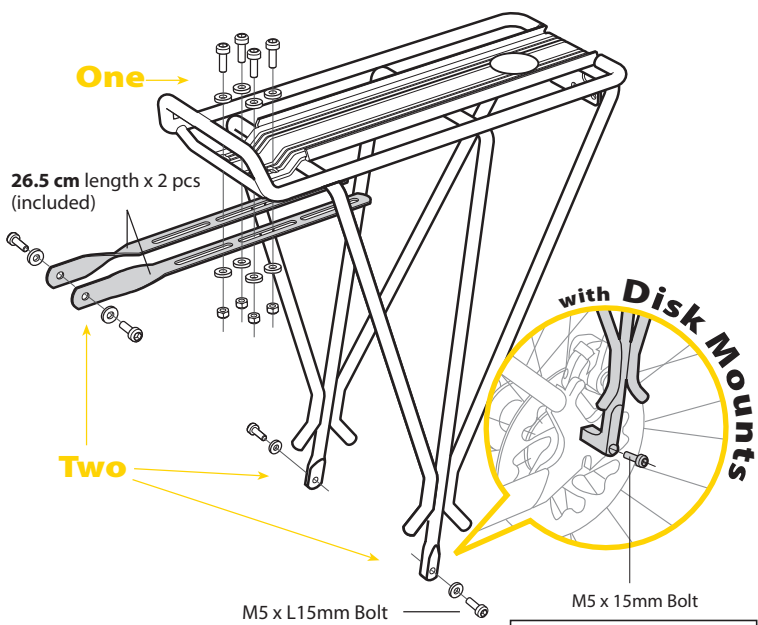
This manual use is for Rear Racks of BabySeat II.
Please see specific information in this manual for each type of Rear Rack.



Optional Mounting Bracket Arm
(34.5 cm length)
Art no. TRK-R023



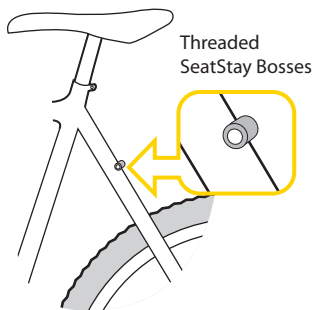
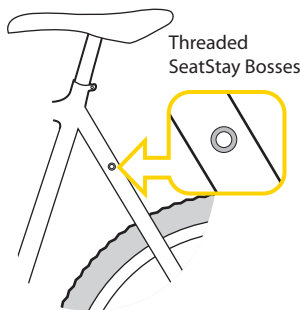
Note : If you have a small frame bike and cannot install the rack in recommended position (2 or 3° from horizontal), please purchase the extra long mounting bracket arm (34.5 cm) for proper installation.



Recommended Torque
6-8 Nm or 53-69 in-lbs

* Tool needed: 5mm Allen key

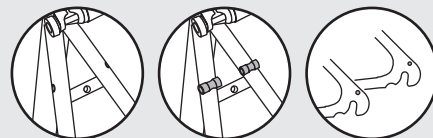
This Rear Rack is designed to fit bicycles with threaded seatstay bosses. The mounting bracket arms are designed to fit a wide range of bicycles sized from 26" wheel x 14.5" frame to 700C wheel x 63 cm frame.



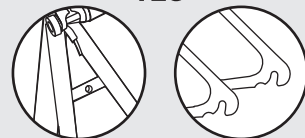
CAUTION

The Rack for BabySeat II is designed to work on frames with seatstay rack mounts AND threaded dropout eyelets only.

Do not use the rack on frames without these fittings for safety reasons.



YES

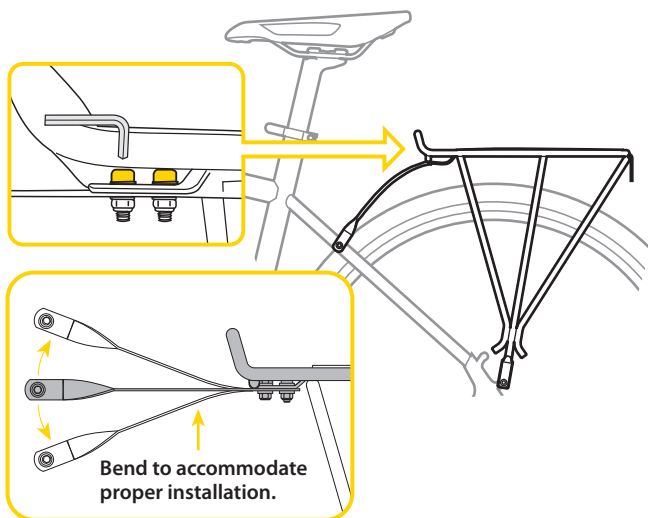


no threaded bosses on seatstay no threaded eyelets on dropout

NO

One

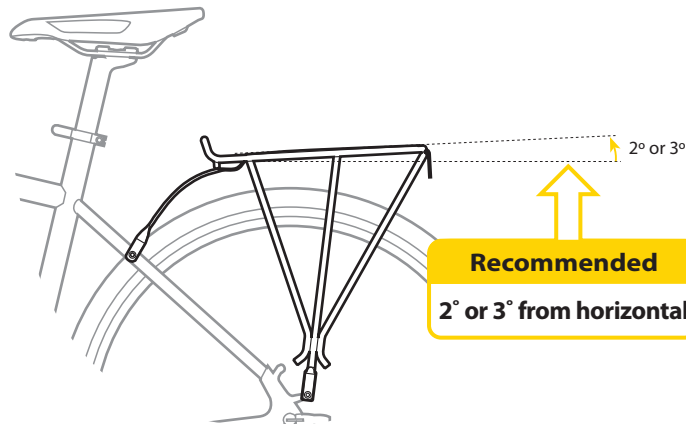
Attach the mounting bracket arms to the front of the rack as shown. Don't tighten completely at this time.



Bend to accommodate proper installation.

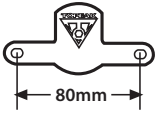
Two

Adjust the length and angle of the mounting bracket arms to a proper position for your bike. Adjust rear carrier to your desired angle, and tighten all the screws and nuts. (recommended 2 or 3 degrees from horizontal.)

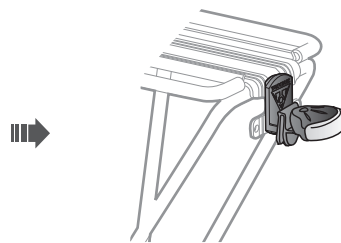
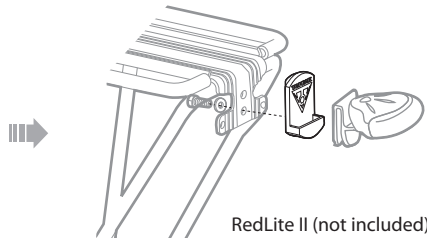
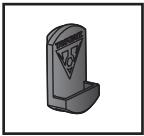
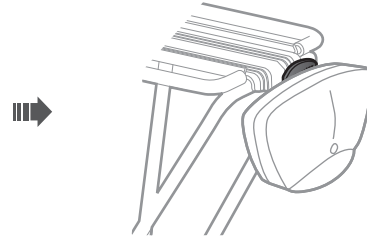
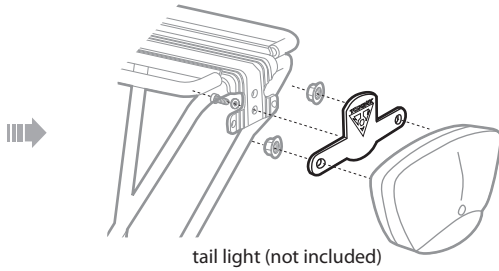
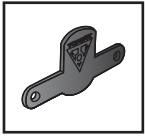


Recommended
2° or 3° from horizontal

INSTALL TAIL LIGHT ON RACK FOR BABYSEAT II



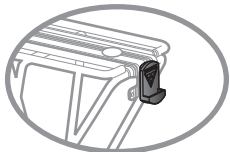
Tail Light Mount is used for mounting rear lights with 80mm (center to center) mounting holes on the Rack for BabySeat II.



OPTIONAL ACCESSORIES

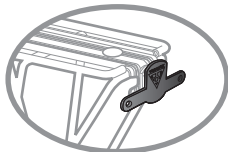
sold separately

RedLite™ Mount



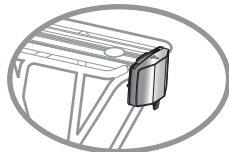
Art no. TC1013

Tail Light Mount



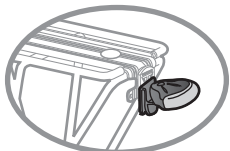
Art no. TC1016

RedLite™ Aura



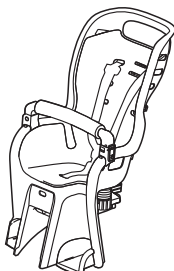
Art no. TMS063

RedLite™ II



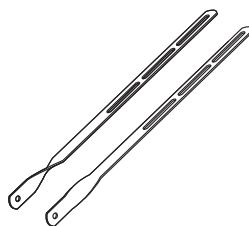
Art no. TMS035B (Black)
TMS035W (White)

BabySeat II



Art no. TCS2200

Mounting Bracket Arm (34.5 cm length)



Art no. TRK-R023



WARNING

1. The age and weight limits for the BabySeat II rack are 1~4 years old, and 20lbs ~ 48.5lbs (9kgs ~ 22kgs) respectively. Never exceed these limits.
2. Make no modifications to the BabySeat II and the rack.
3. BabySeat II Rack is not designed to tow any kind of trailer. Never attach a trailer to BabySeat II Rack.
4. Before each ride, insure BabySeat II Rack is properly attached to your frame and there are no loose straps on BabySeat II, trunk bag, cargo bag or basket that may interfere with the rear wheel.
5. Loading BabySeat II Rack may affect the stability and alter the riding characteristics of the bicycle, particularly regarding steering and braking.
6. If you mount a BabySeat II, trunk bag, cargo bag, or basket, make sure the rearward view of the rear reflector or tail light is not blocked.

WARRANTY

2-year Warranty: All mechanical components against manufacturer defects only.

Warranty Claim Requirements

To obtain warranty service, you must have your original sales receipt. Items returned without a sales receipt will assume that the warranty begins on the date of manufacture. All warranties will be void if the product is damaged due to user crash, abuse, system alteration, modification, or used in any way not intended as described in this manual.

* The specifications and design are subject to change without notice.

Please contact your Topeak dealer with any questions.

For USA customer service call : 1-800-250-3068

www.topeak.com