

Saturn[®]

ST-MW8160

MICROWAVE OVEN

МИКРОВОЛНОВАЯ ПЕЧЬ

МІКРОХВИЛЬОВА ПІЧ



GB
MICROWAVE OVEN

Dear Buyer!
We congratulate you on having bought the device under trade name "Saturn". We are sure that our devices will become faithful and reliable assistance in your housekeeping.

Avoid extreme temperature changes. Rapid temperature change (e.g. when the unit is moved from freezing temperature to a warm room) may cause condensation inside the unit and a malfunction when it is switched on. In this case leave the unit at room temperature for at least 1.5 hours before switching it on.

If the unit has been in transit, leave it indoors for at least 1.5 hours before starting operation.

Please read this booklet carefully before fixing and using, and keep it for future reference.

INSTALLATION OF MICROWAVE OVEN

1. Remove the packaging and take out the distance limiter from accessory in microwave oven (some models have been installed already), unlock the power cord, according to the specific shape of distance limiter, install by following the given instruction.

The purpose of the distance limiter is to make the microwave oven to keep a certain distance from the wall.

2. Take out all the packing. Carefully check whether there is damage to the microwave oven. Such as:
- a. the oven cavity is impacted or pressured.
 - b. the door is not flat; the switch is not smooth and flexible.
 - c. the metal Insulated mesh on the door is bended or deformed.
 - d. the power cord is loose.

IF IT IS FOUND ABOVE, CONTACT YOUR NEAREST SERVICE CENTER APPROVED.

3. Microwave ovens must be placed under dry and non-corrosiveness environments, kept away from heat and humidity, such as gas burner or water tank.
4. To ensure sufficient ventilation, the distance of the back of microwave to the wall should be at least 10 cm, the side to the wall should be at least 5 cm, the free distance above the top surface at least 20 cm.
5. The position of the oven shall be far from the TV, Radio or antenna to avoid

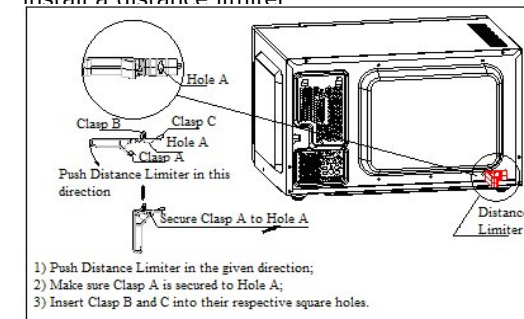
disturbance, the distance at least more than 5 m.

6. The appliance must be positioned so that the plug is accessible, and must ensure a good grounding in case leakage, ground loop can be formed to avoid electric shock.

7. The microwave oven shall not be placed in a cabinet.

8. The back of the oven must be placed against a wall.

9. To keep the microwave oven at a distance from the wall, it is necessary to install a distance limiter



UTENSILS GUIDELINE

It is strongly recommended to use the containers which are suitable and safe for microwave cooking. Generally speaking, the containers which are made of heat-resistant ceramic, glass or plastic are suitable for microwave cooking. Never use the metal containers for microwave cooking and combination cooking as spark is likely to occur. You can take the reference of below table.

Material of container	Micro-wave	Notes
Heat-resistant ceramic	Yes	Never use the ceramics which are decorated with metal rim or glazed
Heat-resistant plastic	Yes	Can not be used for long time microwave cooking
Heat-resistant glass	Yes	
Plastic film	Yes	It should not be used when cooking meat or chops as the over-tempera-

		ture may do damage to the film
Metal container	No	It should not be used in microwave oven .Microwave can not penetrate through metal.
lacquer	No	Poor heat-resistant. Can not be used for High-temperature cooking
bam-boo, wood and paper container	No	Poor heat-resistant. Can not be used for High-temperature cooking

FOR THE FIRST USE

Due to the possible presence of manufacturing residue or oil in the oven cavity or heating element, it usually would smell the odor, even a slight smoke; It is normal case and would not occur after several times use .keep the door or window open to ensure good ventilation. So it is strongly recommended to place a cup of water in the turntable, setting at high power and operate for several times.

IMPORTANT SAFEGUARDS

The following basic precautions should always be followed when using electrical appliance:

1. Read all instructions before using.
2. Make sure the voltage in your living area corresponding to the one shown on the rating label of the appliance. And the socket is properly grounded.
3. TO reduce the risk of fire in the oven cavity:
 - a. DO not overcook the food.
 - b. Remove wire twist -ties from paper or plastic bags before placing bags in the oven.
 - c. Do not heat oil or fat for deep drying as the temperature of oil cannot be controlled.
 - d. After use wipe the waveguide cover with a damp cloth, followed by dry cloth to remove any food splashes and grease. Built -up grease may overheat and begin to cause smoke or catch fire.

- e. If materials inside the oven should smoke or ignite, keep oven door closed, turn oven off and disconnect the power supply.
 - f. Close supervision is necessary when using disposable containers made from plastic, paper or other combustible material. 4. TO reduce the risk of explosion and sudden boiling:
 - a. Do not place sealed containers in the oven. Baby bottles fitted with a screw cap or teat are considered to be sealed containers.
 - b. When boiling liquid in the oven, use the wide -mouthed container and stand about 20 seconds at the end of cooking to avoid delayed eruptive boiling of liquids.
 - c. Potatoes, sausage and chestnut should be peeled or pierced before cooking. Eggs in their shell, whole hard-boiled eggs should not be heated in microwave ovens since they may explode, even after microwave heating has ended.
 - d. The cooked liquid should not be removed out immediately. Several moments should be waited before removing. In order to avoid possible hazards caused by delayed eruptive boiling of liquids.
 - e. The contents of feeding bottles and baby food jars are to be stirred or shaken and the temperature is to be checked before consumption, in order to avoid burns.
 5. Never operate the oven further if the door or door seals is damaged or the oven is malfunctioned or supply cord is damaged. Return the appliance to the nearest authorized service center for repair and maintenance. Never try to adjust or repair the oven yourself.
 6. If the supply cord is damaged, it must be replaced by the manufacturer or its service agent or a qualified technician in order to avoid a shock hazard.
 7. After cooking, the container is very hot. Using gloves to take out the food and avoid steam burns by directing steam away from the face and hands.
 8. Slowly lift the furthest edge of dishes cover and microwave plastic wrap and carefully open popcorn and oven cooking bags away from the face.
 9. TO prevent the turntable from breaking:
 - a. Let the turntable cool down before cleaning.
 - b. Do not place hot foods or utensils on the cold turntable.
 - c. Do not place frozen foods or utensils on the hot turntable.
- Make sure the utensils do not touch the interior walls during cooking. Failure to maintain the oven in a clean condition could lead to

- deterioration of the surface that could adversely affect the life of the appliance and possibly result in a hazardous situation.
12. Only use utensils that are suitable for use in microwave ovens.
 13. Do not store food or any other things inside the oven.
 14. Do not operate the oven without any liquid or food inside the oven. This would do damage the oven.
 15. This appliance is not intended for using by young children or infirm persons without supervision.
 16. When the appliance is operated in the combination mode, children should only use the oven under adult supervision due to the temperatures generated.
 17. Any accessories not recommended by the manufacturer may cause injuries to persons.
 18. Do not use outdoors.
 19. Save these instructions.
 20. WARNING: If the door or door seals are damaged, the oven must not be operated until it has been repaired by a competent person;
 21. WARNING: It is hazardous for anyone other than a competent person to carry out any service or repair operation that involves the removal of a cover which gives protection against exposure to microwave energy;
 22. WARNING: Liquids and other foods must not be heated sealed container since they are liable to explode;
 23. WARNING: Only allow children to use the oven without supervision when adequate instructions have been given so that the child is able to use the oven in a safe way and understands the hazards of improper use;
 24. Only use utensils that are suitable for use in microwave ovens;
 25. When heating food in plastic or paper containers, keep an eye on the oven due to the possibility of ignition;
 26. If smoke is observed, switch off or unplug the appliance and keep the door closed in order to stifle any flames;
 27. Microwave heating of beverages can result in delayed eruptive boiling, therefore care must be taken when handling the container;
 28. The contents of feeding bottles and baby food jars shall be stirred or shaken and the temperature checked before consumption, in order to avoid burns;
 29. Eggs in their shell and whole hard -boiled

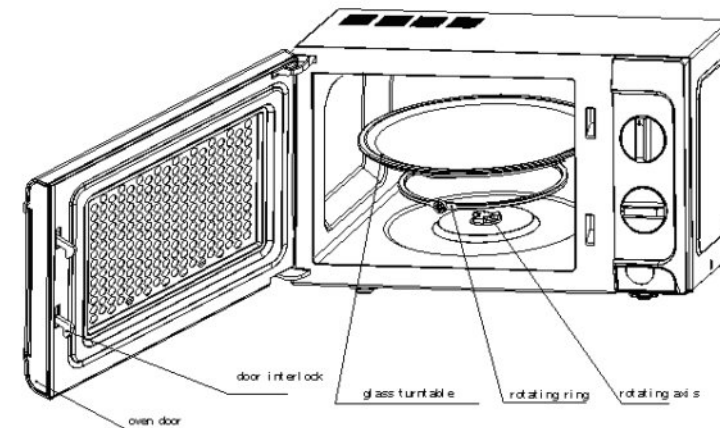
- eggs should not be heated in microwave ovens since they may explode, even after microwave heating has ended;
30. The oven should be cleaned regularly and any food deposits removed;
 31. Failure to maintain the oven in a clean condition could lead to deterioration of the surface that could adversely affect the life of the appliance and possibly result in a hazardous situation;
 32. During use the appliance becomes hot. Care should be taken to avoid touching heating elements inside the oven.
 33. WARNING: Accessible parts may become hot during use. Young children should be kept away.
 34. Do not use harsh abrasive cleaners or sharp metal scrapers to clean the oven door glass since they can scratch the surface, which may result in shattering of the glass.
 35. This appliance is not intended for use by persons (including children) with reduced physical, sensory or mental capabilities, or lack of experience and knowledge, unless they have been given supervision or instruction concerning use of the appliance by a person responsible for their safety.
 36. Children should be supervised to ensure that they do not play with the appliance.
 37. The appliances are not intended to be operated by means of an external timer or separate remote-control system.
 38. The temperature of accessible surfaces may be high when the appliance is operating.
 39. Service life - 2 years.



: CAUTION: HOT SURFACE

Household use only
Product description

1) Door lock



Microwave oven door must be properly closed in order for it to operate.

2) Viewing window

Allow user to see the cooking status.

3) Rotating axis

The glass turntable sits on the axis, the motor underneath it drives the turntable to rotate.

4) Rotating ring

The glass turntable sits on its wheels, it supports the turntable and helps it to balance when rotating.

5) Turntable

The food sits on the turntable, its rotation during operation helps to cook food evenly.

CAUTION

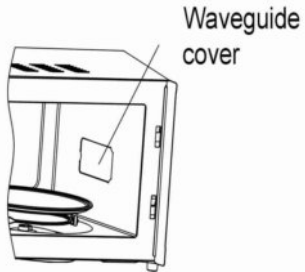
- Place the rotating ring first, and then
- Fit the turntable onto the rotating axis and make sure that it is geared in properly

6) Control panel

See below in details (the control panel is subject to change without prior notice).

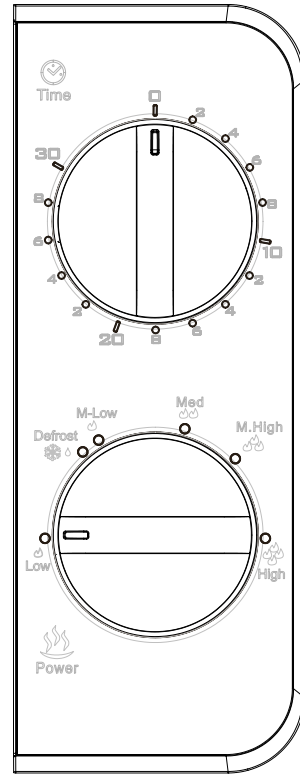
7) Waveguide cover

It is inside the microwave oven, next to the wall of control panel, please see figure below.



WARNING

Never remove the waveguide cover
OPERATION OF CONTROL PANEL



1) Timer

- The max cooking time length that can be set is 30 minutes.
- Each setting is 2 minutes.
- A bell ring will be heard when the timer times out and returns to Zero position.

2) Function / Power knob

There are 6 power levels:

The following table provides a reference

HIGH	100% power output	(Quick cooking)
M. High	85% power output	(Normal cooking)
Med	66% power output	(Slow cooking)
M. Low	40% power output	(Drinks or soup)
Defrost	37% power output	(Defrost)
LOW	17% power output	(Keep warm)

defrost time length for various food:

	WEIGHT RANGE	DEFROST LENGTH
Meat	0.1~1.0kg	1:30~26:00
Poultry	0.2~1.0kg	2:30~22:00
Seafood	0.1~0.9kg	1:30~14:00

OPERATION

- 1) Connect the cord.

CAUTION

- Before connecting the cord, make sure the timer is set to "0" position.
 - Do not block the ventilation.
- 2) Place the food on the glass turntable and close the door.

CAUTION

- Food must be contained in a utensil.
- 3) Select the desired power level.
 - 4) Set the timer.

CAUTION

If desired time is less than 10 minutes, turn the timer knob to over 10 minutes position and then turn back to the desired time setting.

- 5) Once the desired time is set, the cooking begins. If pausing in between is needed, just open the door at any time, and close it to resume operation.

- 6) When it times out and cooking ends, the microwave oven produces a bell ring, the inside lamp will also be automatically turned off.

CAUTION

If food is removed before time out, make sure to set back the timer to "0" position, this avoids the microwave oven from operating in empty load.

DEFROST TIPS

Microwave penetrates around 4cm into most food, to maximize defrosting effect, the followings are advised:

- 1) For thick and chunky food, turn the food regularly during operation in order to obtain uniform heating effect
- 2) If food is over 0.5 Kg, it is advised to turn at least 2 times
- 3) Defrosted food should be consumed as soon as possible, it is not advised to put back to fridge and freeze again.

COOKING TIPS

The following factors may affect the cooking result:

Food arrangement

Place thicker areas towards outside of dish, the thinner part towards the centre and spread it evenly. Do not overlap if possible.

Cooking time length

Start cooking with a short time setting, evaluate it after it times out and extend it according to the actual need. Over cooking may result in smoke and burns.

Cooking food evenly

Food such as chicken, hamburger or steak should be turned once during cooking.

Depending on the type of food, if applicable, stir it from outside to centre of dish once or twice during cooking.

Allow standing time

After cooking times out, leave the food in the oven for a adequate length of time, this allows it to complete its cooking cycle and cooling it down in a gradual manner.

Whether the food is done

Color and hardness of food help to determine if it is done, these include:

- Steam coming out from all parts of food, not just the edge
- Joints of poultry can be moved easily.
- Pork or poultry shows no signs of blood.
- Fish is opaque and can be sliced easily with a fork.

Browning dish

When using a browning dish or self-heating container, always place a heat-resistant insulator such as a porcelain plate under it to prevent damage to the turntable and rotating ring.

Microwave safe plastic wrap

When cooking food with high fat content, do not allow the plastic wrap come into contact with food as it may melt.

Microwave safe plastic cookware

Some microwave safe plastic cookware might not be suitable for cooking foods with high fat and sugar content. Also, the preheating time specified in the dish instruction manual must not be exceeded.

CLEANING & MAINTENANCE

Warnings:

1. It is hazardous for anyone other than a competent person to carry out any service or repair operation that involves the removal of a cover which gives protection against exposure to microwave energy.
2. Remove the power cord from the wall outlet before cleaning
3. Failure to maintain the oven in a clean condition could lead to deterioration of the surface that could adversely affect the life of the appliance and possibly result in a hazardous situation
4. The oven should be cleaned regularly and any food deposits removed.
5. Details for cleaning door seals, cavities and adjacent parts.
6. Never use hard detergent, gasoline, abrasive powder or metal brush to clean any part of the appliance
7. Do not remove the waveguide cover.

TIPS for cleaning:

Exterior:

Wipe the enclosure with a dampened soft cloth.

Door:

Using a dampened soft cloth, wipe clean the door and window

Wipe the door seals and adjacent parts to remove any spill or spatter.

Wipe the control panel with a slightly dampened soft cloth.

Interior walls:

Wipe clean the interior surfaces with a dampened soft cloth.

Wipe clean the waveguide cover to remove any food splashed.

Turntable/Rotation ring/Rotation axis:

Wash with mild soap water.

Rinse with clean water and allow drying thoroughly.

Servicing

Please check the following before calling for services.

1. Place one cup of water (approx.150ml) in a glass measure in the oven and close the door securely. Oven lamp should go off if the door is closed properly. Let the oven work for 1 min.
2. Does the oven lamp light?

3. Does the cooling fan work? (Put your hand over the rear ventilation openings.)

4. Does the turntable rotate?

(The turntable can rotate clockwise or counterclockwise. This is quite normal.)

5. Is the water inside the oven hot?

If "NO" is the answer to any of the above questions, please check your wall socket and the fuse in your meter box.

If both the wall socket and the fuse are functioning properly, CONTACT YOUR NEAREST SERVICE CENTER APPROVED.

SERVICING SAFEGUARDS

Caution: MICROWAVE RADIATION.

Warning: It is hazardous for anyone, other than a qualified service technician, to carry out any service for repairing operation which involves removal of any cover which gives protection against exposure to microwave energy.

Warning: The high voltage capacitor remains charge after disconnection; short the negative terminal of H. V capacitor to the oven chassis (use a screwdriver) to discharge before touching.

During servicing below listed parts are liable to be removed and give access to potentials above 220-230V to earth.

1. Magnetron
2. High voltage transformer
3. High voltage capacitor
4. High voltage diode
5. High voltage fuse

The following conditions may cause undue microwave exposure during servicing.

Improper fitting of magnetron;
Improper matching of door interlock, door hinge and door;
Improper fitting of switch support;
Door, door seal or enclosure has been damaged.

IMPORTANT SAFEGUARDS

--- WARNING: If the door or door seals are damaged, the oven must not be operated until it has been repaired by a competent person;

--- Warning: It is hazardous for anyone, other than a qualified service technician, to carry out any service for repairing operation which involves removal of any cover which gives protection against exposure to microwave energy.

--- WARNING: Liquids or other foods must not be heated in sealed containers since they are liable to explode;

--- WARNING: Only allow children to use the oven without supervision when adequate instructions have been given so that the child is able to use the oven in a safe way and understands the hazards of improper use

Technical Data:

Power Consumption: 1150 W
Microwave Power: 700 W
Rated Voltage: 220-230 V
Rated Frequency: 50 Hz
Rated Current: 5.2 A

Set

MICROWAVE OVEN	1
INSTRUCTION MANUAL WITH WARRANTY BOOK	1
PACKAGE	1

RU

МИКРОВОЛНОВАЯ ПЕЧЬ

Уважаемый покупатель!

Поздравляем Вас с приобретением изделия торговой марки "Saturn". Уверены, что наши изделия будут верными и надежными помощниками в Вашем домашнем хозяйстве.

Не подвергайте устройство резким перепадам температур. Резкая смена температуры (например, внесение устройства с мороза в теплое помещение) может вызвать конденсацию влаги внутри устройства и нарушить его работоспособность при включении. Устройство должно отстояться в теплом помещении не менее 1,5 часов.

Ввод устройства в эксплуатацию после транспортировки производится не ранее, чем через 1,5 часа после внесения его в помещение.

Пожалуйста, внимательно ознакомьтесь с данной инструкцией по эксплуатации перед установкой и использованием устройства, и сохраните ее на будущее.

УСТАНОВКА МИКРОВОЛНОВОЙ ПЕЧИ

1. Снимите всю упаковку и удалите ограничитель безопасного расстояния с корпуса микроволновой печи (на некоторых моделях они установлены), отмотайте шнур питания в соответствии со специфической формой ограничителя, установите устройство, придерживаясь инструкции по эксплуатации,

ENVIRONMENT FRIENDLY DISPOSAL



You can help protect the environment! Please remember to respect the local regulations: hand in the non-working electrical equipments to an appropriate waste disposal center.

The manufacturer reserves the right to change the specification and design of goods.

атации, которая предоставляется. Ограничитель предназначен для соблюдения определенного расстояния от стены до самого устройства.

2. Снимите всю упаковку. Внимательно проверьте устройство на наличие любых повреждений, а именно:

- a. внутреннее пространство печи повреждено или вдавнено;
- b. дверца прилегает неплотно; переключатель не ровный и не гибкий;
- c. металлическая сеточка на дверце изогнута или деформирована;
- d. ослаблен шнур питания.

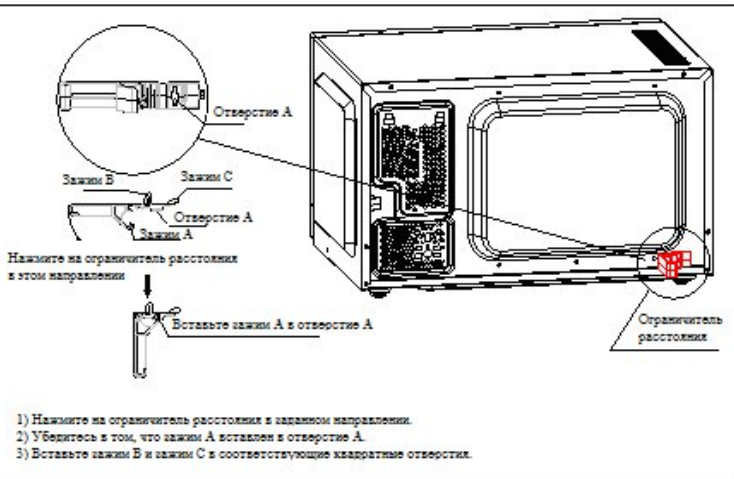
ЕСЛИ НАБЛЮДАЕТСЯ КАКОЕ-ЛИБО ИЗ ВЫШЕПЕРЕЧИСЛЕННЫХ ПОВРЕЖДЕНИЙ, ОБРАТИТЕСЬ В БЛИЖАЙШИЙ АВТОРИЗОВАННЫЙ СЕРВИСНЫЙ ЦЕНТР.

3. Микроволновую печь необходимо устанавливать в сухой и некоррозийной среде, подальше от источников тепла и влаги, таких как газовая плита или резервуар с водой.

4. Чтобы обеспечить достаточную вентиляцию, расстояние между задней стенкой корпуса микроволновой печи и стеной должно быть не меньше 10 см, расстояние между боковой стенкой устройства и стеной – не меньше 5 см, а свободное расстояние сверху над устройством – не меньше 20 см.

5. Во избежание возможных помех, устройство следует располагать подальше от телевизора, радио или антенны, расстояние между ними и устройством должно составлять не меньше 5 м.

6. Устройство необходимо располагать таким образом, чтобы штепсельная вилка была легкодоступной,



также следует обеспечить надежное заземление на случай утечки. Во избежание удара электрическим током необходимо предусмотреть цепь заземления.

7. Нельзя помещать микроволновую печь во встроенный шкаф или шкафчик.

8. Задняя стенка микроволновой печи должна быть на некотором расстоянии от стены.

9. Чтобы микроволновая печь находилась на расстоянии от стены, следует установить ограничитель расстояния.

РЕКОМЕНДАЦИИ ПО ИСПОЛЬЗОВАНИЮ ПОСУДЫ

Настоятельно рекомендуется использовать ту посуду, которая подходит и является безопасной для приготовления в микроволновой печи. Иными словами, для приготовления в микроволновой печи подходит посуда, которая сделана из жаростойкой керамики, стекла или пластмассы. Никогда не пользуйтесь посудой/контейнерами из металла для приготовления, т.к. во время приготовления может возникнуть искровой разряд. Для получения

Материал посуды	Микроволновая печь	Примечание
Жаростойкая керамика	Да	Никогда не пользуйтесь керамикой с металлическим ободком или глазурованной керамикой.
Жаростойкая пласт-	Да	Нельзя использовать

масса		для длительного приготовления в микроволновой печи.
Жаростойкое стекло	Да	
Прозрачная пластмасса	Да	Нельзя использовать для приготовления мяса или котлет, т.к. высокая температура может повредить пластмассу.
Металлический контейнер	Нет	Нельзя использовать в микроволновой печи. Микроволны не проникают через металл.
Посуда, покрытая лаком	Нет	Слабая жаропрочность. Нельзя использовать для приготовления при высокой температуре.
Бамбуковая, деревянная и бумажная	Нет	Слабая жаропрочность. Нельзя использовать

посуда		для приготовления при высокой температуре.
--------	--	--

ПЕРЕД ПЕРВЫМ ИСПОЛЬЗОВАНИЕМ

Часто во внутреннем пространстве микроволновой печи или на нагревательном элементе остаются примеси или масло, которое при нагревании может издавать запах, даже слабый дымок. Это нормальное явление, после нескольких использований запах пройдет. Откройте окно или дверь, чтобы хорошо проветрить помещение. Настоятельно рекомендуется поставить чашку с водой на стеклянный поддон, установив максимальную мощность. Повторите процедуру несколько раз.

ВАЖНЫЕ МЕРЫ ПРЕДОСТОРОЖНОСТИ

При использовании микроволновой печи необходимо всегда соблюдать основные меры предосторожности:

1. Прочитайте полностью инструкцию по эксплуатации перед использованием устройства и сохраните ее на будущее.

2. Перед началом использования проверьте, совпадают ли параметры вашей сети с данными, указанными на заводской табличке прибора. Убедитесь, что розетка с заземлением.

3. Во избежание возгорания внутри камеры:

А. Не перегревайте продукты.

Б. Прежде чем помещать продукты в пластиковой или бумажной упаковке в печь, снимите с них завязки.

В. Не нагревайте в печи масло или жир для фритюра, поскольку данный прибор не позволяет регулировать температуру масла.

Г. После окончания приготовления протрите внутреннюю камеру влажной губкой, а затем сухой тряпочкой, чтобы удалить попавшие на стенки брызги и жир.

Оставшийся жир может в дальнейшем перегреться и стать причиной появления дыма или огня.

Д. Если во время приготовления продукты внутри печи задымались или загорелись, то следует, не открывая дверцу внутренней камеры, выключить прибор и отключить его от сети.

Е. Будьте особо осторожны, если продукты приготавливаются либо разогреваются в готовых контейнерах из пластика, бумаги, других легко воспламеняемых материалов.

4. Во избежание возникновения риска взрыва или внезапного вскипания:

а. Не помещайте в печь герметично

закрытую посуду (в том числе детские бутылочки с плотно закрытой крышкой).

б. Приготавливая жидкие продукты, используйте посуду с широким горлышком. По окончании приготовления подождите не менее 20 секунд во избежание внезапного бурлящего вскипания жидкости.

в. Перед приготовлением очищайте от кожуры картошку и сосиски. Перед помещением в микроволновую печь варенные яйца очищайте их от скорлупы, иначе они могут взорваться, даже после окончания нагревания.

г. Не вынимайте сразу из микроволновой печи приготовленную жидкость. Во избежание травм от кипящих жидкостей, не вынимайте приготовленную пищу сразу после окончания приготовления.

д. Во избежание ожогов взбалтывайте содержимое бутылочек для кормления детей и проверяйте их температуру.

5. Не эксплуатируйте печь, если повреждена дверца или печь неисправна. Для ремонта микроволновой печи передайте ее в ближайший авторизованный сервисный центр. Не пытайтесь регулировать или ремонтировать устройство самостоятельно.

6. Не используйте микроволновую печь, если у нее повреждены дверца или шнур питания, а также, если сама печь имеет какие-либо повреждения или неправильно работает.

7. После приготовления контейнер остается горячим. Чтобы не обжечься паром, вынимая посуду из печи, не направляйте ее на лицо или руки.

8. Медленно поднимите край крышки на посуде или пластмассовую крышку, осторожно откройте попкорн и упаковку, держа их подальше от лица.

9. Во избежание повреждения поддона:

а. Перед чисткой дайте поддону остыть.

б. Не ставьте горячие продукты или посуду на холодный поддон.

в. Не ставьте замороженные продукты или посуду на горячий поддон.

10. Убедитесь, что во время приготовления посуда не касается внутренних стенок печи.

11. Не содержите микроволновой печи в чистоте может сказаться на повреждении поверхности, уменьшении срока службы устройства и возникновении опасной ситуации.

12. Используйте только посуду, пригодную для использования в микроволновой печи.

13. Не храните продукты и посторонние предметы внутри камеры приготовления.

14. Не включайте микроволновую печь вхолостую. Это может привести к повреждению печи.

15. Не разрешается использование прибора маленькими детьми или стариками без присмотра взрослых.

16. Из-за образования температур в комбинированном режиме, детям разрешено использовать микроволновую печь только под наблюдением взрослых.

17. Использование аксессуаров, не рекомендованных производителем, может привести к травмам.

18. Не используйте устройство вне помещения.

19. Сохраните инструкцию.

20. --- ПРЕДУПРЕЖДЕНИЕ: Если дверца или уплотнение дверцы повреждены, микроволновой печью нельзя пользоваться, пока она не будет отремонтирована квалифицированным специалистом;

21 --- ПРЕДУПРЕЖДЕНИЕ: В связи с возможной опасностью, не пытайтесь ремонтировать или осуществлять техобслуживание печи самостоятельно, поскольку такие ремонтные работы заключаются в демонтаже корпуса, который защищает от воздействия микроволн; обратитесь для этого к квалифицированному специалисту.

22. --- ПРЕДУПРЕЖДЕНИЕ: Жидкости или другие жидкие продукты нельзя нагревать в герметически закрытых контейнерах, т.к. они могут взорваться.

23.--- ПРЕДУПРЕЖДЕНИЕ: В целях безопасности не разрешайте детям пользоваться устройством без присмотра; только после получения соответствующих указаний и инструкций по использованию дети могут пользоваться печью.

24. Пользуйтесь только той посудой, которая подходит для приготовления в микроволновой печи.

25. Разогревая пищу в пластиковых или бумажных емкостях, следите за процессом разогрева - существует опасность возгорания.

26. Если продукты внутри печи задымилась или загорелись, то следует, не открывая дверцу внутренней камеры, выключить печь и отключить ее от сети.

27. Нагревание напитков в микроволновой печи может привести к бурлящему их вскипанию, будьте осторожны, когда вынимаете приготовленный напиток из печи.

28. Во избежание получения ожогов, содержимое детских бутылочек и емкостей с детским питанием необходимо перемешать или взболтать, а также проверить температуру, перед потреблением.

29. Яйца в скорлупе, сваренные вкрутую, не следует нагревать в микроволновой печи, т.к. они могут взорваться, даже после окончания нагревания в печи.

30. Регулярно очищайте микроволновую печь и удаляйте остатки пищи.

31. Не содержите микроволновой печи в чистоте может сказаться на повреждении поверхности, уменьшении срока службы устройства и возникновении опасной ситуации.

32. Микроволновая печь может быть горячими во время эксплуатации. Не касайтесь нагревательного элемента внутри устройства.

33. ПРЕДУПРЕЖДЕНИЕ: при использовании печь нагревается. Маленькие дети не должны находиться рядом с работающим устройством.

34. Не пользуйтесь едкими абразивными очистителями или острыми металлическими скребками для очистки стекла дверцы, т.к. они могут поцарапать поверхность, что в результате может привести к растрескиванию стекла.

35. Прибор не предназначен для использования лицами с ограниченными физическими, чувствительными или умственными способностями или при отсутствии у них опыта или знаний, если они не находятся под контролем или не проинструктированы об использовании прибора лицом, ответственным за их безопасность. Не рекомендуется использовать устройство детям в возрасте до 14 лет.

36. Дети должны находиться под присмотром для уверенности в том, что они не играют с устройством.

37. Данное устройство не предназначено для управления с помощью таймера или отдельного пульта дистанционного управления.

38. Поверхность печи может сильно нагреваться во время работы.

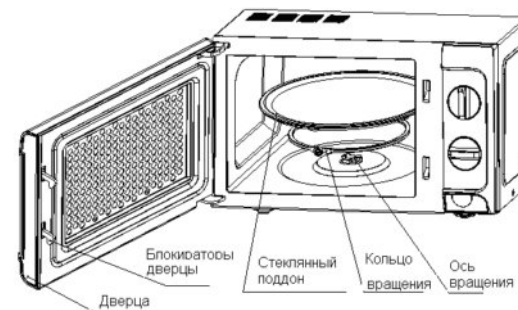
39. Срок службы - 2 года.
Только для бытового использования.



ВНИМАНИЕ: горячая поверхность

Описание устройства

- 1) Блокираторы дверцы
Микроволновая печь может работать только при плотно закрытой дверце.
- 2) Смотровое окошко
Позволяет пользователю наблюдать за процессом приготовления пищи.
- 3) Ось вращения
Стеклоподдон размещается на оси вращения, которая приводит в



движение поддон.

4) Кольцо вращения
Стеклоподдон размещается на кольце вращения, которое поддерживает поддон и помогает ему сохранять равновесие во время вращения.

5) Стеклоподдон
На стеклоподдон ставится посуда с продуктами, вращение его во время эксплуатации способствует равномерному приготовлению пищи.

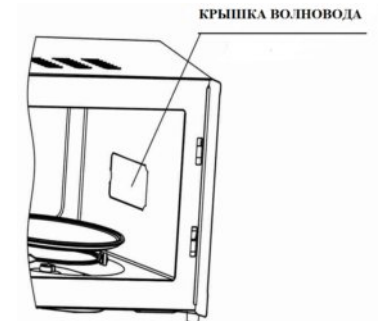
6) Панель управления
См. ниже подробную информацию (панель управления может меняться без предварительного уведомления).

7) Крышка волновода
Она находится внутри микроволновой печи, рядом со стенкой панели управления, пожалуйста, см. на рисунке ниже.

ВНИМАНИЕ
- Установите сначала кольцо вращения, и затем
- Поставьте стеклоподдон на ось вращения и проверьте, чтобы он был правильно установлен.

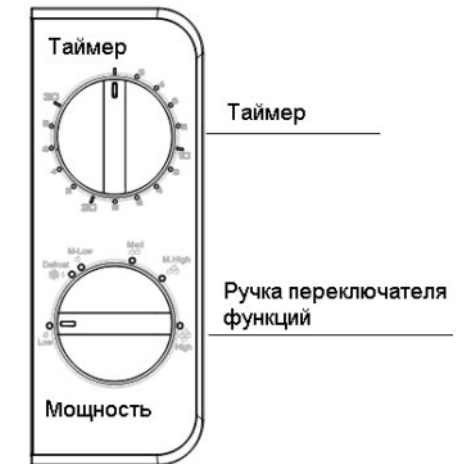
6) Панель управления
См. ниже подробную информацию (панель управления может меняться без предварительного уведомления).

7) Крышка волновода
Она находится внутри микроволновой печи, рядом со стенкой панели управления, пожалуйста, см. на рисунке ниже.



ПРЕДУПРЕЖДЕНИЕ
Никогда не снимайте крышку волновода.

ИСПОЛЬЗОВАНИЕ ПАНЕЛИ УПРАВЛЕНИЯ



1) Таймер
- Максимальное время приготовления, на которое можно установить таймер, 30 минут.
- Каждое деление - это 2 минуты.
- Когда время таймера истекает и таймер доходит до «0», звучит звуковой сигнал.

2) Ручка переключения функций/включения-выключения
Для приготовления в микроволновой печи предусмотрено 6 уровней мощности:

ВЫСОКАЯ	100% мощность	быстрое приготовление
ВЫШЕ СРЕДНЕЙ	мощность 85%	обычное приготовление
СРЕДНЯЯ	мощность 66%	медленное приготовление
НИЖЕ СРЕДНЕЙ	мощность 40%	напитки или суп
РАЗМОРАЖИВАНИЕ	мощность 37%	размораживание продуктов
НИЗКАЯ	мощность 17%	поддержание в теплом состоянии

В следующей таблице содержится информация по размораживанию для разных продуктов:

	ДИА- ПА- ЗОН ВЕСА	ВРЕМЯ РАЗМОРА- ЖИВАНИЯ
Мясо	0.1~1.0 кг	1:30~26:00
Птица	0.2~1.0 кг	2:30~22:00
Море- продук- ты	0.1~0.9 кг	1:30~14:00

ЭКСПЛУАТАЦИЯ

1) Включите штепсельную вилку микроволновой печи в сеть.

ВНИМАНИЕ

- Перед включением, убедитесь, что таймер установлен в положение "0".
- Не блокируйте вентиляционные отверстия.

2) Поставьте посуду с продуктами на стеклянный поддон и закройте дверцу.

ВНИМАНИЕ

- Продукты должны находиться в посуде.

3) Выберите желаемый уровень мощности.

4) Установите таймер.

ВНИМАНИЕ

Если время приготовления составляет менее 10 минут, сначала установите таймер в положение более 10 минут, затем установите нужное время.

5) Как только установлено нужное время, начнется процесс приготовления. Если нужно приостановить работу микроволновой печи, просто откройте дверцу в любое время и закройте ее, чтобы продолжить процесс.

6) Когда время приготовления закончится, и время таймера истечет, будет слышен звуковой сигнал, подсветка внутри микроволновой печи автоматически погаснет.

ВНИМАНИЕ

Во избежание включения печи вхолостую, сразу после вынимания посуды

с пищей установите таймер обратно в положение "0".

УКАЗАНИЯ ПО РАЗМОРАЖИВАНИЮ

Микроволны проникают приблизительно на 4 см внутрь большинства продуктов, для получения максимального эффекта размораживания рекомендуется следующее:

1) Для получения равномерного нагрева продуктов, переворачивайте их постоянно во время приготовления, если куски большие.

2) При приготовлении продуктов массой более 0.5 кг, рекомендуется перевернуть их как минимум 2 раза.

3) Размороженные продукты следует приготовить как можно быстрее, не рекомендуется снова класть их в холодильник и повторно замораживать.

УКАЗАНИЯ ПО ПРИГОТОВЛЕНИЮ

Следующие факторы могут влиять на результат приготовленной пищи:

Размещение продуктов в печи

Равномерно распределяйте продукты, располагайте большие куски по краям блюда, а более тонкие куски – ближе к центру. Старайтесь не класть их слоями.

Длительность приготовления пищи

Начинайте готовить, включив печь на короткое время, затем проверьте готовность и при необходимости добавьте еще время. Передерживание во время приготовления может в результате привести к появлению дыма и гари.

Равномерное приготовление пищи

Такие продукты, как птицу, гамбургеры или стейк следует перевернуть один раз в процессе приготовления. В зависимости от типа продуктов, при возможности, переключайте их от края блюда ближе к центру один-два раза в процессе приготовления.

Время выдерживания

После истечения времени приготовления, оставьте пищу в микроволновой печи на некоторое время, это позволит полностью завершить процесс приготовления и постепенно охладить пищу.

Готова ли пища

Цвет и твердость пищи позволяют определить ее готовность, обратите

внимание на следующее:

- Пар выходит равномерно со всей пищи, а не по краям.

- Косточки птицы легко отделяются

- В мясе или птице нет крови.

- Рыба приобретает темноватый цвет и легко отделяется вилкой.

Поджаривание блюда до золотистого цвета.

Поджаривая блюдо до золотистой корочки, всегда подкладывайте под него термостойкий материал, например, фарфоровое блюдо. Это поможет избежать повреждения стеклянного поддона и кольца вращения.

Пищевая пленка

Во время приготовления продуктов с высоким содержанием жира, следите, чтобы пищевая пленка не прикасалась к пище, т.к. она может расплавиться.

Пластиковая посуда

Некоторая пластиковая посуда может не подходить для приготовления продуктов с высоким содержанием жира и сахара. Кроме того, нельзя превышать время предвратительного нагрева, указанное в инструкции по эксплуатации.

ОЧИСТКА И ОБСЛУЖИВАНИЕ

Предупреждение:

1. В связи с возможной опасностью, не пытайтесь отремонтировать или осуществлять техобслуживание печи самостоятельно, поскольку такие ремонтные работы заключаются в демонтаже корпуса, который защищает от воздействия микроволн; обратитесь для этого к квалифицированному специалисту.

2. Перед очисткой выньте штепсельную вилку из розетки.

3. Не содержите микроволновой печи в чистоте может сказаться на повреждении поверхности, уменьшении срока службы устройства и возникновении опасной ситуации.

4. Микроволновую печь необходимо регулярно чистить и удалять любые остатки пищи.

5. Ознакомьтесь с информацией по очистке дверцы, внутренних стенок и съемных деталей устройства.

6. При очистке любых деталей печи никогда не пользуйтесь для очистки едкими моющими средствами, бензином, абразивным порошком или металлической щеткой.

7. Не снимайте крышку волновода.

Указания по очистке:

Внешняя поверхность печи:

Протирайте внешнюю поверхность печи мягкой влажной тканью.

Дверца:

Используйте для очистки мягкую влажную тряпочку, протирайте ею

дверцу и окошко.

Протирайте уплотнение дверцы и съемные детали печи от разлитой жидкости или брызг.

Протирайте панель управления мягкой слегка влажной тканью.

Внутренние стенки:

Протирайте внутренние поверхности (стенки) мягкой влажной тряпочкой. Протирайте крышку волновода от любых остатков пищи.

Поддон / Кольцо вращения / Ось вращения:

Вымойте в мыльном водном растворе. Промойте чистой водой и тщательно высушите.

Обслуживание

Пожалуйста, обратите внимание на следующее перед тем, как обращаться в сервисный центр:

1. Налейте воду (приблизительно 150 мл) в стакан, поставьте в микроволновую печь и плотно закройте дверцу.

Когда дверца надежно закрыта, подсветка в печи не горит. Включите микроволновую печь на 1 минуту.

2. Проверьте, горит ли подсветка.

3. Проверьте, работает ли вентилятор при эксплуатации.

(Подставьте руку к вентиляционным отверстиям печи).

4. Проверьте, вращается ли стеклянный поддон.

(Стеклянный поддон может вращаться по часовой стрелке или против часовой стрелки. Это абсолютно нормально).

5. Проверьте, нагревается ли вода в печи.

Если есть отрицательный ответ

"НЕТ" на любой из вышеуказанных вопросов, пожалуйста, проверьте настенную розетку и предохранитель.

Если настенная розетка и предохранитель в хорошем рабочем состоянии, ОБРАТИТЕСЬ В БЛИЖАЙШИЙ АВТОРИЗОВАННЫЙ СЕРВИСНЫЙ ЦЕНТР.

МЕРЫ ПРЕДОСТОРОЖНОСТИ ПРИ ОБСЛУЖИВАНИИ

Внимание: ИЗЛУЧЕНИЕ МИКРОВОЛН

ПРЕДУПРЕЖДЕНИЕ: В связи с возможной опасностью, не пытайтесь отремонтировать или осуществлять тех-обслуживание печи самостоятельно, поскольку такие ремонтные работы заключаются в демонтаже корпуса, который защищает от воздействия микроволн; обра-

титеся для этого к квалифицированному специалисту.

ПРЕДУПРЕЖДЕНИЕ: Высоковольтный конденсатор остается под напряжением после отключения; перед тем, как прикасаться, закройте отрицательный полюс высоковольтного конденсатора на корпус (основание) печи (используйте отвертку), чтобы разрядить конденсатор.

Нижче перерахисляються деталі, при снятти которых можно получить доступ к напряжению выше 220-230В и заземлению.

1. Магнетрон
2. Высоковольтный трансформатор
3. Высоковольтный конденсатор
4. Высоковольтный диод
5. Высоковольтный предохранитель

Нижче перерахисленныя условия могут стать причиной чрезмерного воздействия энергии микроволн во время обслуживания.

- Ненадлежащая установка магнетрона.
- Неправильное положение блокиратора дверцы, петли дверцы и дверцы.
- Неправильное крепление основания переключателя.
- Повреждение дверцы, уплотнение дверцы или корпуса.

ВАЖНЫЕ МЕРЫ ПРЕДОСТОРОЖНОСТИ

--- **ПРЕДУПРЕЖДЕНИЕ:** Если дверца или уплотнение дверцы повреждены, микроволновой печью нельзя пользоваться, пока она не будет отремонтирована квалифицированным специалистом;

--- **ПРЕДУПРЕЖДЕНИЕ:** В связи с возможной опасностью, не пытайтесь ремонтировать или осуществлять техобслуживание печи самостоятельно, поскольку такие ремонтные работы заключаются в разбирании корпуса, который защищает от воздействия микроволн; обратитесь для этого к квалифицированному специалисту.

--- **ПРЕДУПРЕЖДЕНИЕ:** Жидкости или другие жидкие продукты нельзя нагревать в герметически закрытых контейнерах, т.к. они могут взорваться.

--- **ПРЕДУПРЕЖДЕНИЕ:** В целях безопасности не разрешайте детям пользоваться устройством без присмотра; только после получения соответствующих указаний и инструкций по использованию дети могут пользоваться печью.

Технические характеристики

Потребляемая мощность: 1150 Вт
 Микроволновая мощность: 700 Вт
 Мощность гриля: 800 Вт
 Номинальное напряжение: 220-230 В
 Номинальная частота: 50 Гц
 Номинальная сила тока: 5.2 А

Комплектность
 МИКРОВОЛНОВАЯ ПЕЧЬ 1 шт.
 ИНСТРУКЦИЯ ПО ЭКСПЛУАТАЦИИ С ГАРАНТИЙНЫМ ТАЛОНОМ 1 шт.
 УПАКОВКА 1 шт.



БЕЗОПАСНОСТЬ ОКРУЖАЮЩЕЙ СРЕДЫ. УТИЛИЗАЦИЯ

Вы можете помочь в охране окружающей среды!

Пожалуйста, соблюдайте местные правила: передавайте неработающее электрическое оборудование в соответствующий центр утилизации отходов. Производитель оставляет за собой право вносить изменения в технические характеристики и дизайн изделий.



МИКРОВОЛНОВАЯ ПИЧ

Шановний покупець!
 Вітаємо Вас із придбанням виробу торгівельної марки "Saturn". Ми впевнені, що наші вироби будуть вірними й надійними помічниками у Вашому домашньому господарстві.

Не піддавайте пристрій різким перепадам температури. Різка зміна температури (наприклад, внесення пристрою з морозу в тепле приміщення) може викликати конденсацію волого в середині пристрою та порушити його працездатність при вмиканні. Пристрій повинен відстоятися в теплом приміщенні не менше ніж 1,5 години.
 Введення пристрою в експлуатацію після транспортування проводити не раніше, ніж через 1,5 години після внесення його в приміщення.

Будь ласка, уважно ознайомтеся з

даною інструкцією з експлуатації перед установкою та використанням пристрою, і збережіть її на майбутнє.

УСТАНОВКА МИКРОВОЛНОВОЇ ПЕЧІ

1. Зніміть всю упаковку та видаліть обмежник безпечної відстані з корпусу микроволнової печі (на деяких моделях вони встановлені), відмотайте шнур живлення у відповідності зі специфічною формою обмежника, встановіть пристрій, дотримуючись інструкції з експлуатації, що надається. Обмежник призначений для дотримання певної відстані від стіни до самого пристрою.

2. Зніміть повністю упаковку. Уважно перевірте пристрій на наявність будь-яких пошкоджень, а саме:
 а. внутрішній простір печі пошкоджений або втиснений;
 б. дверцята прилягають нещільно; перемикач не рівний і не гнучкий;
 с. металева сіточка на дверцятах вигнута або деформована;
 д. ослаблений шнур живлення.

ЯКЩО СПОСТЕРІГАЄТЬСЯ ЯКЕ-НЕБУДЬ ІЗ ПЕРЕРАХОВАНИХ ВИЩЕ ПОШКОДЖЕНЬ, ЗВЕРНІТЬСЯ У НАЙБЛИЖЧІЙ АВТОРИЗОВАНИЙ СЕРВІСНИЙ ЦЕНТР.

3. Микроволновою піч необхідно встановлювати в сухому та не-корозійному середовищі, подалі від джерел тепла та вологи, таких як газова плита або резервуар з водою.

4. Щоб забезпечити достатню вентиляцію, відстань між задньою стінкою корпусу микроволнової печі та стіною повинна бути не менше 10 см, відстань між бічною стінкою пристрою та стіною – не менше 5 см, а вільна відстань зверху над пристроєм – не менше 20 см.

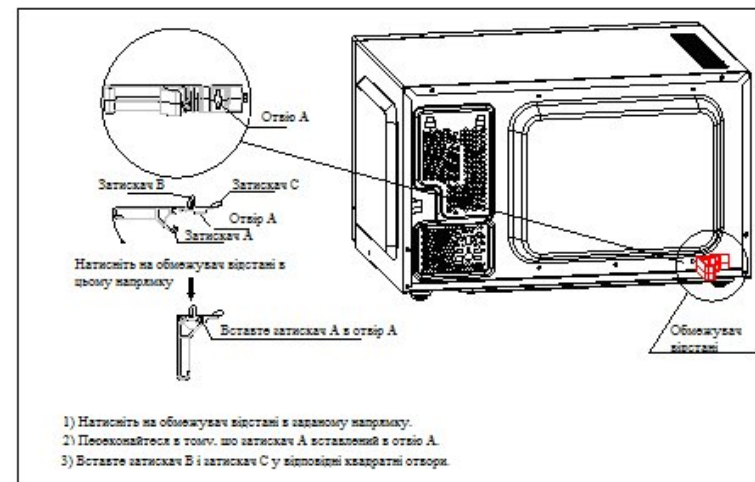
5. Щоб уникнути можливих перешкод, пристрій слід розташовувати подалі від телевізора, радіо або антени, відстань між ними та пристроєм повинна становити не менше 5 м.

6. Пристрій необхідно розташовувати таким чином, щоб штепсельна вилка була легкодоступною, також слід забезпечити надійне заземлення на випадок витoku. Щоб уникнути удару електричним струмом необхідно пе-

редбачити ланцюг заземлення.

7. Не можна поміщати микроволновою піч у вбудовану шафу або шафу.

8. Задня стінка микроволнової печі повинна бути на деякій відстані від



стіни.

9. Щоб микроволновою піч знаходилась на відстані від стіни, потрібно встановити обмежник відстані.

УВАГА

Порожню микроволновою піч можна вмикати лише в режимі гриля. Не можна вмикати її в комбінованому режимі.

РЕКОМЕНДАЦІЇ З ВИКОРИСТАННЯ ПОСУДУ

Настійно рекомендується використовувати той посуд, що підходить і є безпечним для приготування в микроволнової печі. Іншими словами, для приготування в микроволнової печі підходить посуд, який зроблений із жаростійкої кераміки, скла або пластмаси. Ніколи не користуйтеся посудом/контейнерами з металу для приготування, тому що під час приготування може виникнути іскровий розряд. Для отримання інформації див. таблицю нижче.

Матеріал посуду	Мікроволновою піч	Примітка
Жаростійка кераміка	Так	Ніколи не користуйтеся керамікою з металевим обідком або глазурованою керамікою.

Жаростійка пластмаса	Так	Не можна використовувати для тривалого приготування в мікрохвильовій печі.
Жаростійке скло	Так	
Прозора пластмаса	Так	Не можна використовувати для приготування м'яса або котлет, тому що висока температура може пошкодити пластмасу.
Металевий контейнер	Ні	Не можна використовувати в мікрохвильовій печі. Мікрохвилі не проникають через метал.
Посуд, покритий лаком	Ні	Слабка жароміцність. Не можна використовувати для приготування при високій температурі.
Бамбуковий, дерев'яний і паперовий посуд	Ні	Слабка жароміцність. Не можна використовувати для приготування при високій температурі.

ревірте, чи збігаються параметри вашої мережі з даними, зазначеними на табличці приладу. Переконайтесь, що розетка з заземленням.

3. Щоб запобігти загорання всередині камери:

А. Не перегрівайте продукти.

Б. Перш ніж класти продукти в пластиковій або паперовій упаковці в піч, зніміть з них зв'язки.

В. Не нагрівайте в печі олію або жир для фритюру, оскільки даний прилад не дозволяє регулювати температуру олії.

Г. Після закінчення приготування протріть внутрішню камеру вологою губкою, а потім сухою ганчіркою, щоб видалити бризки і жир, що потрапили на стінки.

Жир, що залишився, може надалі перегрітися і стати причиною появи диму або вогню.

Д. Якщо під час приготування продукти всередині печі задимилися або загорілися, то слід, не відкриваючи дверцята внутрішньої камери, вимкнути прилад і відключити його від мережі.

Є. Будьте особливо обережні, якщо продукти готуються або розігріваються в готових контейнерах з пластику, паперу, інших легко займистих матеріалів.

4. Щоб уникнути виникнення ризику вибуху або раптового закипання:

а. Не ставте в піч герметично закритий посуд (у тому числі дитячі пляшечки з щільно закритою кришечкою).

б. Готуючи рідкі продукти, використовуйте посуд з широким горлечком. По закінченні приготування зачекайте щонайменше 20 секунд задля уникнення раптового пошкодження від рідини, що кипить.

в. Перед приготуванням очищайте від шкірки картоплю та сосиски. Перед розташуванням в мікрохвильову піч варені яйця очищайте їх від шкаралупи, інакше вони можуть вибухнути, навіть після закінчення нагрівання.

г. Не виймайте відразу з мікрохвильової печі приготовлену рідину. Щоб уникнути травм від киплячих рідин, не виймайте приготовлену їжу відразу ж після закінчення приготування.

д. Щоб уникнути опіків збовтуйте вміст пляшечок для годування дітей та перевіряйте їх температуру.

5. Не використовуйте піч, якщо пошкоджені дверцята або піч несправна. Для ремонту мікрохвильової печі передайте її в найближчий авторизований сервісний центр. Не намагайтеся регулювати або ремонтувати пристрій самостійно.

6. Не використовуйте мікрохвильову піч, якщо у пошкоджені дверцята або

шнур живлення, а також, якщо сама піч має будь-які пошкодження або неправильно працює.

7. Після приготування контейнер залишається гарячим. Щоб не обпектися паром, виймаючи посуд з печі, не направляйте її на обличчя або руки.

8. Повільно підніміть край кришки на посуді або пластмасову кришку, обережно відкрийте попкорн і упаковку, тримаючи їх подалі від обличчя.

9. Щоб уникнути пошкодження піддону:

а. Перед чищенням дайте піддону охолонути.

б. Не ставте гарячі продукти або посуд на холодний піддон.

в. Не ставте заморожені продукти або посуд на гарячий піддон.

10. Переконайтесь, щоб під час приготування посуд не торкається внутрішніх стінок печі.

11. Не дотримання мікрохвильової печі в чистоті може позначитися на пошкодженні поверхні, зменшуючи термін служби пристрою і виникнення небезпечної ситуації.

12. Використовуйте лише посуд, що придатний для використання в мікрохвильовій печі.

13. Не зберігайте продукти і сторонні предмети всередині камери приготування.

14. Не вмикайте мікрохвильову піч вхолосту. Це може призвести до пошкодження печі.

15. Не дозволяється використання приладу маленькими дітьми або літніми особами без нагляду дорослих.

16. Через утворення температури в комбінованому режимі, дітям дозволяється використовувати мікрохвильову печі лише під наглядом дорослих.

17. Використання аксесуарів, що не рекомендуються виробником, може призвести до травм.

18. Не використовуйте пристрій поза приміщенням.

19. Збережіть інструкції.

20. --- ПОПЕРЕДЖЕННЯ: Якщо дверцята або ущільнення дверцят пошкоджені, мікрохвильовою піччю не можна користуватися, поки вона не буде відрізок монтована кваліфікованим фахівцем;

21 --- ПОПЕРЕДЖЕННЯ: У зв'язку з можливою небезпечкою, не намагайтеся ремонтувати або здійснювати техобслуговування печі самостійно, оскільки такі ремонтні роботи полягають у демонтажі корпусу, який захищає від впливу мікрохвиль; зверніться для цього до кваліфікованого фахівця.

22. --- ПОПЕРЕДЖЕННЯ: Рідини або інші рідкі продукти не можна нагрівати в герметично закритих контейнерах, тому що вони можуть вибухнути.

23. --- ПОПЕРЕДЖЕННЯ: З метою безпеки не дозволяйте дітям користуватися пристроєм без нагляду; лише після отримання відповідних вказівок та інструкцій з використання діти можуть користуватися піччю.

24. Користуйтеся лише тим посудом, який підходить для приготування в мікрохвильовій печі.

25. Розігріваючи їжу в пластикових або паперових ємностях, стежте за процесом розігріву - існує небезпека загорання.

26. Якщо продукти всередині печі задимилися або загорілися, то слід, не відкриваючи дверцята внутрішньої камери, вимкнути піч і відключити її від мережі.

27. Нагрівання напоїв у мікрохвильовій печі може призвести до їх закипання, будьте обережні, коли виймаєте приготований напій з печі.

28. Щоб уникнути отримання опіків, вміст дитячих пляшечок і ємностей з дитячим харчуванням необхідно перемишати або збовтати, а також перевірити температуру перед споживанням.

29. Зварені вкруту яйця не слід нагрівати в мікрохвильовій печі, тому що вони можуть вибухнути, навіть після закінчення нагрівання в печі.

30. Регулярно очищайте мікрохвильову піч і видаляйте залишки їжі.

31. Не дотримання мікрохвильової печі в чистоті може позначитися на пошкодженні поверхні, зменшенню терміну служби пристрою і створенні небезпечної ситуації.

32. Мікрохвильова піч може бути гарячою під час експлуатації. Не торкайтеся нагрітого елемента всередині пристрою.

33. ПОПЕРЕДЖЕННЯ: при використанні піч нагрівається. Маленькі діти не повинні знаходитися поруч із працюючим пристроєм.

34. Не користуйтеся їдкими абразивними очисниками або гострими металевими шкребками для очищення скла дверцят, тому що вони можуть подрпати поверхню, що в результаті може призвести до розтріскування скла.

35. Прилад не призначений для використання особами з обмеженими фізичними, чуттєвими або розумовими здібностями або при відсутності у них досвіду або знань, якщо вони не знаходяться під контролем або не проінструктовані про використання приладу особою, відповідальною за їх безпеку. Не рекомендується використовувати пристрій дітям віком до 14 років.

36. Діти повинні знаходитися під наглядом для впевненості в тому, що вони не граються з пристроєм.

37. Цей пристрій не призначений для керування за допомогою таймера або

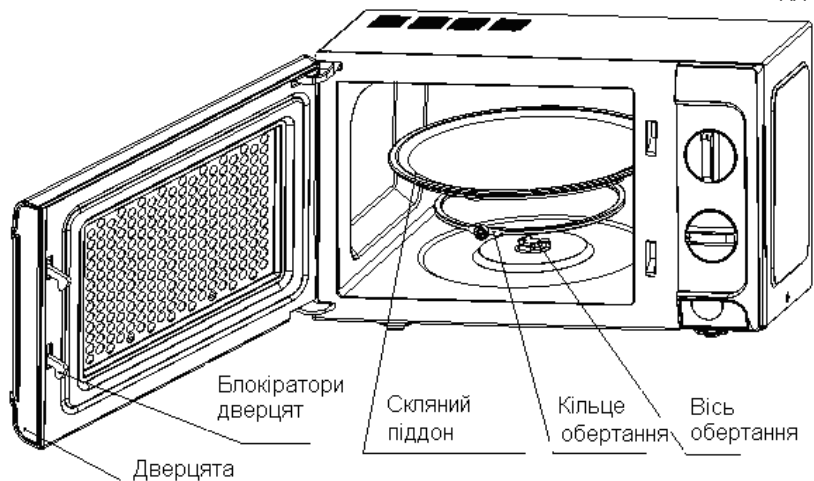
ВАЖЛИВІ ЗАПОБІЖНІ ЗАХОДИ

При використанні мікрохвильової печі необхідно завжди дотримуватися основних правил безпеки:

1. Прочитайте повністю інструкцію з експлуатації перед використанням пристрою і збережіть її на майбутнє.
2. Перед початком використання пе-

окремого пульта дистанційного керування.
 38. Поверхня печі може сильно нагріватися під час роботи.
 39. Термін служби – 2 роки.
 Лише для побутового використання.

льової печі, поруч зі стінкою панелі керування, будь ласка, див. на малюнку нижче.
УВАГА
 - Встановіть спочатку кільце обертання, і потім
 - Поставте скляний піддон на вісь обертання та перевірте, щоб він був правильно встановлений.



УВАГА: ГАРЯЧА ПОВЕРХНЯ

Опис пристрою

- 1) Блокатори дверцят
Мікрохвильова піч може працювати тільки при щільно закритих дверцятах.
- 2) Оглядове віконце
Дозволяє користувачеві спостерігати за процесом приготування їжі.
- 3) Вісь обертання
Скляний піддон розміщується на осі обертання, що приводить у рух піддон.
- 4) Кільце обертання
Скляний піддон розміщується на кільці обертання, що підтримує піддон і допомагає йому зберігати рівновагу під час обертання.
- 5) Скляний піддон
На скляний піддон ставиться посуд із продуктами, обертання його під час експлуатації сприяє рівномірному приготуванню їжі.
- 6) Панель керування
Див. нижче докладну інформацію (панель керування може мінятися без попереднього повідомлення).
- 7 Кришка хвилеводу
Вона знаходиться всередині мікрохвильової печі, поруч зі стінкою панелі керування, будь ласка, див. на малюнку нижче.

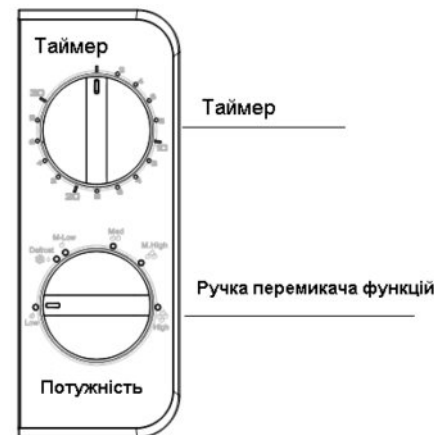
6. Панель керування
Див. нижче докладну інформацію (панель керування може мінятися без попереднього повідомлення).

7. Кришка хвилеводу
Вона знаходиться всередині мікрохвильової печі, поруч зі стінкою панелі керування, будь ласка, див. на малюнку нижче.

ПОПЕРЕДЖЕННЯ
 Ніколи не знімайте кришку хвилеводу.



ВИКОРИСТАННЯ ПАНЕЛІ КЕРУВАННЯ



1) Таймер

- Максимальний час приготування, на який можна встановити таймер, 30 хвилин.
 - Кожна поділка - це 2 хвилини.
 - Коли час таймера минає та таймер доходить до «0», звучить звуковий сигнал.

2) Ручка перемикач функцій/вмикання-вимикання. Для приготування в мікрохвильовій

- 1) Увімкніть штепсельну вилку мікрохвильової печі в мережу.
УВАГА
- Перед вмиканням, переконайтеся, що таймер встановлений у положення "0".
- Не блокуйте вентиляційні отвори.
- 2) Поставте посуд із продуктами на скляний піддон і закрийте дверцята.
УВАГА
- Продукти повинні знаходитися в посуді.
- 3) Виберіть бажаний рівень потужності.
- 4) Встановіть таймер.
УВАГА
Якщо час приготування становить менше 10 хвилин, спочатку встановіть таймер у положення більше 10 хвилин, потім встановіть потрібний час.
- 5) Як тільки потрібний час встановлений, почнеється процес приготування. Якщо потрібно призупинити роботу мікрохвильової печі, просто відкрийте дверцята в будь-який час і закрийте їх, щоб продовжити процес.
- 6) Коли час приготування закінчиться, і час таймера мине, буде чутий звуковий сигнал, підсвічування всередині мікрохвильової печі автоматично згасне.

ВКАЗІВКИ ЩОДО РОЗМОРО-

ВИСОКА	100% потужність	швидке приготування
ВИЩЕ СЕРЕДНЬОЇ	потужність 85%	звичайне приготування
СЕРЕДНЯ	потужність 66%	повільне приготування
НИЖЧЕ СЕРЕДНЬОЇ	потужність 40%	напої або суп
РОЗМОРОЖУВАННЯ	потужність 37%	розморожування продуктів
НИЗЬКА	потужність 17%	підтримування в теплому стані

печі передбачено 6 рівнів потужності: У наступній таблиці міститься інформація з розморожування для різних продуктів:

	ДІА-ПА-ЗОН ВАГИ	ЧАС РОЗМОРОЖУВАННЯ
М'ясо	0.1~1.0 кг	1:30~26:00
Птиця	0.2~1.0 кг	2:30~22:00
Морепродукти	0.1~0.9 кг	1:30~14:00

ЕКСПЛУАТАЦІЯ

ЖУВАННЯ
 Мікрохвилі проникають приблизно на 4 см всередину більшості продуктів, для отримання максимального ефекту розморожування рекомендується таке:
 1) Для отримання рівномірного нагрівання продуктів, перевертайте їх постійно під час приготування, якщо шматки великі.
 2) Під час приготування продуктів із масою більше 0.5 кг, рекомендується перевернути їх як мінімум 2 рази.
 3) Розморожені продукти слід приготувати якнайшвидше, не рекомендується знову класти їх у холодильник і повторно заморозувати.

ВКАЗІВКИ ЩОДО ПРИГОТУВАННЯ
 Такі фактори можуть впливати на результат приготовленої їжі:

Розташування продуктів у печі

Рівномірно розподіляйте продукти, розташуйте великі шматки по краях блюда, а більш тонкі шматки – ближче до центра. Намагайтеся не класти їх шарами.

Тривалість приготування їжі

Починайте готувати, увімкнувши піч на короткий час, потім перевірте готовність і при необхідності додайте ще час. Передедержування під час приготування може в результаті призвести до появи диму та гару.

Рівномірне приготування їжі

Такі продукти, як птиця, гамбургери або стейк слід перевернути один раз у процесі приготування.

Залежно від типу продуктів, при можливості, перекладайте їх від краю блюда ближче до центру один-два рази в процесі приготування.

Час витримання

Після закінчення часу приготування, залиште їжу в мікрохвильовій печі на деякий час, це дозволить повністю завершити процес приготування та поступово охудити їжу.

Чи готова їжа

Колір і твердість їжі дозволяють визначити її готовність, зверніть увагу на таке:

Пара виходить рівномірно з усієї їжі, а не по краях.

Кісточки птиці легко відділяються.

У м'яси або птиці немає крові.

Риба набуває темнуватого кольору і легко відділяється виделкою.

Підсмажування страви до золотистого кольору

Підсмажуючи блюдо до золотистої скоринки, завжди підкладайте під нього термостійкий матеріал, наприклад, порцелянове блюдо. Це допоможе уникнути пошкодження скляного піддона та кільця обертання.

Харчова плівка

Під час приготування продуктів із високим змістом жиру, стежте, щоб харчова плівка не торкалася їжі, тому що вона може розплавитися.

Пластиковий посуд

Деякий пластиковий посуд може не підходити для приготування продуктів із високим змістом жиру та цукру. Крім того, не можна перевищувати час попереднього нагрівання, зазначений в інструкції з експлуатації.

ОЧИЩЕННЯ ТА ОБСЛУГОВУВАННЯ

Попередження:

1. У зв'язку з можливою небезпекою, не намагайтеся ремонтувати або здійснювати техобслуговування печі самостійно, оскільки такі ремонтні роботи полягають у розібранні корпусу, що захищає від впливу мікрохвиль; зверніться для цього до кваліфікованого

фахівця.

2. Перед очищенням вийміть штепельну вилку з розетки.

3. Не утримання мікрохвильової печі в чистоті може позначитися на пошкодженні поверхні, зменшенні терміну служби пристрою та виникненні небезпечної ситуації.

4. Мікрохвильову піч необхідно регулярно чистити та видаляти будь-які залишки їжі.

5. Ознайомтеся з інформацією по очищенню дверцят, внутрішніх стінок і знімних деталей пристрою.

6. При очищенні будь-яких деталей печі ніколи не користуйтеся для очищення їдкими миючими засобами, бензином, абразивним порошком або металеву щіткою.

7. Не знімайте кришку хвилеводу.

ВКАЗІВКИ ЩОДО ОЧИЩЕННЯ:

Зовнішня поверхня печі:

Протирайте зовнішню поверхню печі м'якою вологою ганчірочкою.

Дверцята:

Використовуйте для очищення м'яку вологу ганчірочку, протирайте нею дверцята та віконце.

Протирайте ущільнення дверцят і знімні деталі печі від розлитої рідини або бризок.

Протирайте панель керування м'якою злегка вологою ганчірочкою.

Внутрішні стінки:

Протирайте внутрішні поверхні (стінки) м'якою вологою ганчірочкою.

Протирайте кришку хвилеводу від будь-яких залишків їжі.

Піддон /Кільце обертання/Вісь обертання:

Вимийте в мильному водянному розчині.

Промийте чистою водою та ретельно висушіть.

Обслуговування

Будь ласка, зверніть увагу на таке перед тим, як звертатися в сервісний центр:

1. Налийте воду (приблизно 150 мл) у склянку, поставте в мікрохвильову піч і щільно закрийте дверцята. Коли дверцята надійно закриті, підсвічування печі не горить. Увімкніть мікрохвильову піч на 1 хвилину.

2. Перевірте, чи горить підсвічування.

3. Перевірте, чи працює вентилятор при експлуатації.

(Підставте руку до вентиляційних отворів печі).

4. Перевірте, чи обертається скляний піддон.

(Скляний піддон може обертатися за

годинниковою стрілкою або проти годинникової стрілки. Це абсолютно нормальне).

5. Перевірте, чи нагрівається вода в печі.

Якщо є негативна відповідь "НІ" на будь-яке із вищевказаних питань, будь ласка, перевірте настінну розетку та запобіжник. Якщо настінна розетка та запобіжник у доброму робочому стані, ЗВЕРНІТЬСЯ В НАЙБЛИЖЧИЙ АВТОРИЗОВАНИЙ СЕРВІСНИЙ ЦЕНТР.

ЗАПОБІЖНІ ЗАХОДИ ПРИ ОБСЛУГОВУВАННІ Увага: ВИПРОМІНЮВАННЯ МІКРОХВИЛЬ

ПОПЕРЕДЖЕННЯ: У зв'язку з можливою небезпекою, не намагайтеся ремонтувати або здійснювати техобслуговування печі самостійно, оскільки такі ремонтні роботи полягають у розібранні корпусу, що захищає від впливу мікрохвиль; зверніться для цього до кваліфікованого фахівця.

ПОПЕРЕДЖЕННЯ: Високовольтний конденсатор залишається під напругою після відключення; перед тим, як торкатися, замкніть негативний полюс високовольтного конденсатора на корпус (основу) печі (використовуйте викрутку), щоб розрядити конденсатор.

Нижче перелічуються деталі, при знятті яких можна отримати доступ до напруги вище 220В і заземлення.

1. Магнетрон
2. Високовольтний трансформатор
3. Високовольтний конденсатор
4. Високовольтний діод
5. Високовольтний запобіжник

Нижче перераховані умови можуть стати причиною надмірного впливу енергії мікрохвиль під час обслуговування.

- Неналежна установка магнетрона.
- Неправильне положення блокуєра дверцят, петлі дверцят і дверцят.
- Неправильне кріплення підстави перемикача.
- Пошкодження дверцят, ущільнення дверцят або корпусу.

ВАЖЛИВІ ЗАПОБІЖНІ ЗАХОДИ

**--- ПОПЕРЕДЖЕННЯ: Якщо дверцята або ущільнення дверцят пошкоджені, мікрохвильовою піччю не можна користуватися, доки вона не буде відремонтована кваліфікованим фахівцем;
--- ПОПЕРЕДЖЕННЯ: У зв'язку з**

можливою небезпекою, не намагайтеся ремонтувати або здійснювати техобслуговування печі самостійно, оскільки такі ремонтні роботи полягають у розібранні корпусу, що захищає від впливу мікрохвиль; зверніться для цього до кваліфікованого фахівця.

--- ПОПЕРЕДЖЕННЯ: Рідина або інші рідкі продукти не можна нагрівати в герметично закритих контейнерах, тому що вони можуть вибухнути.

--- ПОПЕРЕДЖЕННЯ: З метою безпеки не дозволяйте дітям користуватися пристроєм без нагляду; тільки після отримання відповідних вказівок та інструкцій з використання діти можуть користуватися піччю.

Технічні характеристики	
Споживча потужність:	1150 Вт
Мікрохвильова потужність:	700 Вт
Потужність гриля:	800 Вт
Номинальна напруга:	220-230 В
Номинальна частота:	50 Гц
Номинальна сила струму:	5.2 А

Комплектність	
МІКРОХВИЛЬОВА ПІЧ	1 шт.
ІНСТРУКЦІЯ З ЕКСПЛУАТАЦІЇ	
З ГАРАНТІЙНИМ ТАЛОНОМ	1 шт.
УПАКОВКА	1 шт.



БЕЗПЕКА НАВКОЛИШНЬОГО СЕРЕДОВИЩА. УТИЛІЗАЦІЯ
Ви можете допомогти в охороні навколишнього середовища!

Будь ласка, дотримуйтеся місцевих правил: передайте непрацююче електричне обладнання у

відповідний центр утилізації відходів. Виробник залишає за собою право вносити зміни в технічні характеристики та дизайн виробів.

Saturn®

МЕЖДУНАРОДНЫЕ ГАРАНТИЙНЫЕ ОБЯЗАТЕЛЬСТВА

INTERNATIONAL MANUFACTURER'S WARRANTY

МІЖНАРОДНІ ГАРАНТІЙНІ ЗОБОВ'ЯЗАННЯ

MEZINÁRODNÍ ZÁRUKA

GB

INTERNATIONAL MANUFACTURER'S WARRANTY

The Warranty is provided for the period of 2 years or more if the Law on User Right of the country where the appliance was bought provides for a greater minimum warranty period.

All terms of warranty comply with to the Law on Protection of the Consumer Rights and are governed by the legislation of the country where the product was bought. The warranty and free of charge repair are provided in any country where the product is delivered to by Saturn Home Appliances or authorized representative thereof, and where no restriction of import or other legal provisions interfere with rendering of warranty services and free of charge repair.

Cases uncovered by the warranty and free of charge repair:

1. Guarantee coupon is filled in improperly.
2. The product has become inoperable because of the Buyer's nonobservance of the service regulations indicated in the instruction.
3. The product was used for professional, commercial or industrial purposes (except for the models, specially intended for this purpose that is indicated in the instruction).
4. The product has external mechanical damage or damage caused by penetration of the liquid inside, dust, insects and other foreign objects.
5. The product has damages caused by non-observance of the rules of power supply from batteries, mains or accumulators.
6. The product was exposed to opening, repair or modification of design by the persons, unauthorized to repair; independent cleaning of internal mechanisms etc. was made.
7. The product has natural wear of parts with limited service life, expendables etc.
8. The product has deposits of scale inside or outside of fire-bar elements, irrespective of used water quality.
9. The product has damages caused by effect of high (low) temperatures or fire on non-heat resistant parts of the product.
10. The product has damages of accessories and nozzles which are included into the complete set of product shipment (filters, grids, bags, flasks, cups, covers, knives, sealing rings, graters, disks, plates, tubes, hoses, brushes, and also power cords, headphone cords etc.).

On the warranty service and repair, please contact the authorized service centers of "Saturn Home Appliances".

МЕЗИНАРОДНІ ЗАРУКА

Зарука se poskytuje na dobu 2 roky. V případě že Zákon na ochranu spotřebitele dané země nařizuje delší dobu, prodlužuje se záruka na tuto dobu.

Veškeré záruční podmínky odpovídají Zákonu o ochraně práv uživatelů a jsou řízené zákonodárstvím státu, kde byl výrobek koupen.

Záruka a bezplatná oprava se poskytují v každém státě, kam jsou výrobky dodané společností „Saturn Home Appliances“ nebo jejím zplnomocněným zástupcem a kde nejsou žádná omezení na dovoz nebo jiné právní předpisy omezující poskytnutí záručního servisu a bezplatné opravy.

Пřípady, na které se záruka a bezplatná oprava nevztahují

1. Záruční list je vyplněn nesprávně.
2. Výrobek byl poškozen kvůli tomu, že zákazník nesplnil pravidla použití, která jsou uvedena v návodu.
3. Výrobek byl používán k profesionálním, komerčním nebo průmyslovým cílům (kromě modelů speciálně určených pro tyto cíle, což je uvedeno v návodu).
4. Výrobek má vnější mechanická poškození nebo poškození, vyvolaná tím, že se dovnitř dostala tekutina, prach, hmyz a jiné cizí předměty.
5. Výrobek má poškození, která jsou vyvolaná nesplněním pravidel napájení od baterií, sítě nebo akumulátorů.
6. Výrobek rozebírali, opravovali nebo měnili jeho konstrukci lidé, kteří nebyli zplnomocněni k opravě, bylo provedeno samostatné čištění vnitřních mechanismů a pod.
7. Výrobek má přirozené opotřebování dílů s omezenou dobou použití, spotřebních materiálů atd.
8. Výrobek má vrstvu usazeniny uvnitř nebo zvenku termoelektrických ohříváčů, bez ohledu na kvalitu používané vody.
9. Výrobek má poškození, která jsou vyvolána působením vysokých (nízkých) teplot nebo ohně na termonestabilní části výrobku.
10. Výrobek má poškození příslušenství a nástavce, které jsou dodané spolu s výrobkem (filtry, síťky, sáčky, baňky, mísy, víka, nože, šlehače, struhadla, kotouče, talíře, trubky, hadice, kartáče a také síťové šňůry, sluchátkové šňůry atd.).

V otázkách záručního servisu a oprav se obraťte na autorizovaná servisní střediska společnosti „Saturn Home Appliances“.

МЕЖДУНАРОДНЫЕ ГАРАНТИЙНЫЕ ОБЯЗАТЕЛЬСТВА

Гарантия на изделие предоставляется на срок 2 года или более в случае, если Законом о защите прав потребителей страны, в которой было приобретено изделие, предусмотрен больший минимальный срок гарантии.

Все условия гарантии соответствуют Закону о защите прав потребителей и регулируются законодательством страны, в которой приобретено изделие. Гарантия и бесплатный ремонт предоставляются в любой стране, в которую изделие поставляется компанией «Saturn Home Appliances» или ее уполномоченным представителем, и где никакие ограничения по импорту или другие правовые положения не препятствуют предоставлению гарантийного обслуживания и бесплатного ремонта.

Случаи, на которые гарантия и бесплатный ремонт не распространяются:

1. Гарантийный талон заполнен неправильно.
2. Изделие вышло из строя из-за несоблюдения Покупателем правил эксплуатации, указанных в инструкции.
3. Изделие использовалось в профессиональных, коммерческих или промышленных целях (кроме специально предназначенных для того моделей, о чем указано в инструкции).
4. Изделие имеет внешние механические повреждения или повреждения, вызванные попаданием внутрь жидкости, пыли, насекомых и др. посторонних предметов.
5. Изделие имеет повреждения, вызванные несоблюдением правил питания от батарей, сети или аккумуляторов.
6. Изделие подвергалось вскрытию, ремонту или изменению конструкции лицами, не уполномоченными на ремонт; производилась самостоятельная чистка внутренних механизмов и т.д.
7. Изделие имеет естественный износ частей с ограниченным сроком службы, расходных материалов и т.д.
8. Изделие имеет отложение накипи внутри или снаружи ТЭНов, независимо от качества используемой воды.
9. Изделие имеет повреждения, вызванные воздействием высоких (низких) температур или огня на нетермостойкие части изделия.
10. Изделие имеет повреждения принадлежностей и насадок, входящих в комплект поставки изделия (фильтров, сеток, мешков, колб, чаш, крышек, ножей, венчиков, терок, дисков, тарелок, трубок, шлангов, щеток, а также сетевых шнуров, шнуров наушников и т.д.).

По вопросам гарантийного обслуживания и ремонта обращайтесь в специализированные сервисные центры фирмы «Saturn Home Appliances».

Город, адрес	Название АСЦ	Телефон	МБТ	Сплит-системы	LCD	СМА	Мороз. лари
г. Альметьевск, ул. К. Цеткин, д.18а	Сервисный Центр ИП Валиуллин М.Р.	т. 8(8553) 32-22-11, м.т. 8-960-047-22-11	V+	V+	V+	V+	V+
г. Анапа, ул. Астраханская, д. 98	СЦ "СПЕКТР-СЕРВИС"	т. 8(86133) 6-09-84, т.м. 8-918-215-57-75	V+	V+	V+	V+	V+
г. Апшеронск, Краснодарский край, ул. Ворошилова, 109	Абсолют-сервис	т. 8(86152)2-81-99	V+	V+	V+	V+	V+
г.Архангельск, ул. Котласская, д.1, корп. 1, офис12	"ВЕГА-29"	т. 8(8182) 44-15-55,	V+				
г. Астрахань, ул. Савушкина, д.47	ООО ПКЦ «ВДВ»	т.8(8512)25-19-39, т.8(8512) 25-12-00	V+	V+	V+		V+
г. Астрахань, ул. Маскаковой, д. 16, 2 этаж, комн.7	СЦ "Ремонтная Бригада"	т. 8(8512) 54-67-67, т. 8(8512) 54-91-91		V+			
г. Ахтубинск, м-н Мелиораторов, д.15	ООО "Ковчег"	т. 8(85141) 3-61-25	V+	V+	V+	V+	V+
г. Ахтубинск, ул. Панфилова, д. 32	Сервисный Центр ИП Комаров Николай	м.т. 8-927-552-47-21, м.т. 8-937-122-13-99				V+	V+
г. Барнаул, ул. Пролетарская, д.113	ООО "Диод"	т.8(3852) 63-94-02	V+		V+	V+	V+
г. Батайск, пер. Книжный, д.9, кв.25	ИП Кулешов А.П.	м.т.8-905-425-60-4-73	V+	V+	V+		

г. Батайск, ул. Матросова, д. 37	Центральный Сервисный Центр	т. 8(8635) 47-47-72, т. 8(8635) 47-47-72	V+	V+	V+	V+	V+
г. Белореченск, ул. Мира, д.63	ООО "Дело техники"	т. 8(86155)3-11-00, м.т. 8-918-980-64-75	V+	V+	V+	V+	V+
г. Буденновск, ул. Октябрьская, д. 84	ИП Цивенов Д.С.	т. 8(86559) 2-08-02, т. 8(86559)5-29-71	V+	V+	V+	V+	V+
г. Волгоград, пр. Ленина, д. 58	"Сервис. ГИМ"	т. 8(8442) 23-41-36, т. 8(937) 717-93-34	V+			V+	
г. Волгоград, ул. Елецкая, д. 173	АСЦ "Классика"	т. 8(8442) 97-50-10, т. 8-960-883-59-00				V+	
г. Волгоград, ул. Томская, д. 4а	ИП Спицын С.В.	т. 8(8442) 98-16-47, т. 8(8442) 53-06-04	V+	V+	V+	V+	V+
Волгоградская обл., Калачевский р-н п. Береславка,	Сервисный Центр "ТехноБыт"	м.т. 8-961-688-53-48				V+	
Волгоградская обл., р.п. Быково, ул. Калинина, д. 9	Сервисный Центр ИП Рахимов Ренат	м.т. 8-927-521-52-00				V+	V+
Волгоградская обл., п. Елань, ул. Л. Толстого, д. 32	Сервисный Центр ИП Егоров Юрий	м.т. 8-937-722-68-12					V+
Волгоградская обл., р.п. Октябрьский, ул. Кругликова, д. 158	Сервисный Центр ИП Макеев Юрий	м.т. 8-937-730-66-03				V+	V+
Волгоградская обл., г. Суrowsикино	Сервисный Центр ИП Караичев Алексей	м.т. 8-904-404-14-55					V+
г. Волгодонск, Ростовская обл., пр-т. Строителей, д. 12/15	СЦ "Master"	м.т. 8-928-126-63-66	V+			V+	

г. Волжский, ул. 77-й Гвардейской, д. 65А	"Сервис.ГИ М"	т. 8(937) 717-93-36	V+		V+			
г. Вологда, ул.Чернышевско го, д. 65	"Ремонт бытовой техники"	т. 8(8172) 70-03-45, т. 8(8172) 54-21-54	V+		V+	V+	V+	
Вологодская обл., п. Рубцово, д. 1а	ООО "МИГ"	т. 8(8172) 52-72-51	V+		V+			
г. Воронеж, ул. Плехановская, д. 40	"Воронеж-Сервис"	т.8(4732) 71-31-84	V+		V+	V+		
г. Георгиевск, ул. Калинина, д. 140/1	ИП Пономаренк о Р.Р.	т. 8(87951) 6-47-93, м.т. 8-928-654-28-01			V+			
г. Грозный, ул. Дадин Айбики, д. 48	"Арсгир"	8-962-655-20-00	V+	V+	V+	V+	V+	V+
г. Дзержинск, Нижегородская обл., ул. Чапаева, д. 68	мастерская "СЕРВИС ПЛЮС"	т. 8(8313) 21-14-14	V+		V+			
г. Дзержинск, пр. Циолковского, д. 54	СЦ "Кварц"	т. 8(8313) 20-93-00, т. 8(8313) 20-92-94			V+			
г. Ейск, ул. Пушкина, д. 84	АСЦ "Техносерви с"	т. 8(86132) 2-11-71, т. 8(86132) 3-66-02	V+	V+	V+	V+	V+	V+
г. Екатеринбург, ул. Сыромолотова, д. 21	ООО "АСервис"	т. 8(343)269-81-10, т.8(343)219-61-22	V+	V+	V+	V+	V+	V+
г. Елец, Липецкая обл., ул. Октябрьская, д. 47	ООО фирма "ПОЛЮС"	т. 8(47467) 4-12-08, т. 8(47467) 4-33-17	V+		V+			
г. Иваново, ул. Дзержинского, д.45/6	ООО "Спектр-Сервис"	т. 8(4932) 335185, т. 8(4932) 335236	V+	V+	V+	V+	V+	V+
г. Ижевск, ул. Азина, д. 4	ООО "АРГУС-Сервис"	8(3412) 30 79-79, 8(3412)30-83-07	V+		V+	V+	V+	V+

г. Ижевск, ул. М. Горького, д. 76	ООО "АРГУС-Сервис"	т. 8(3412) 78-76-85, т. 8(3412) 78-06-64	V+		V+	V+	V+	
г. Ижевск, ул. Буммашевская, д. 7/1, офис 301, 307	"Климат-Контроль"	т. 8(3412) 44-60-40, т. 8(3412) 44-60-67			V+			
г. Йошкар-Ола, ул. Воинов Интернационали стов, д 24 а	СЦ "Аквамарин "	т. 8(8362) 24-11-24, т. 8(8362) 25-55-40	V+	V+	V+	V+		
г. Иркутск, ул.Киренская, д. 20	СЦ "Мастер"	т. 8(39520) 65-04-95, т. 8(39520) 93-16-56	V+		V+	V+		
г. Казань, пр. Ямашева, д. 38	СЦ "Витязь"	т. 8(843) 248-71-17, т. 8(843) 258-85-65	V+		V+			
г. Калуга, ул. Суворова, д. 25, Грабцевское шоссе, д. 47	ООО "Бинэс Сервис"	т. 8 (4842) 54-82-22, т. 8 (4842) 54-83-33	V+	V+	V+	V+	V+	V+
г.Кемерово, пр. Октябрьский, д. 53/2	ВК-Сервис	т. 8(3842) 35-39-67	V+				V+	
г. Киров, ул. Некрасова, д. 42	ООО "Экран-Сервис"	т. 8(8332) 56-25-95, т. 8(8332) 54-70-77	V+		V+	V+		
г. Константиновск, Ростовская обл., пер. Студенческий, 9	Макаров-ЮГ	8-988-548-24-36	V+	V+	V+			
г. Кострома, ул. Коммунаров, д. 5	АСЦ " Кристалл Сервис Быт"	т. 8(4942) 300107, т. 8(4942) 300107	V+		V+	V+	V+	V+
г. Кореновск, ул. Пурыхина, д. 2, корп."а"	ИП Бондаренко А.В.	т. 8(86142)4-43-59	V+	V+	V+	V+	V+	V+
г.Краснодар, ул. Новороссийская , 3	Абсолют-сервис	т. 8(861) 267-50-88	V+	V+	V+	V+	V+	V+

г. Краснодар, ул. Академика Лукьяненко, д.103, оф.55	"М-Сервис-Юг"	т.8(861) 222-64-13, т.8(861) 222-85-55, м.т. 8-905-408-08-38	V+	V+	V+	V+	V+
Краснодарский край, ст. Варениковская, ул. Виноградная, д. 42/2	ИП Лютерович В.М.	м.т. 8-918-041-31-04, т. 8(86131) 71-2-72		V+			V+
Краснодарский край, ст. Каневская, ул. Свердликова, д. 116	ИП Галишников А.А.	т. 8(86164) 7-01-22		V+			
Краснодарский край, ст. Ленинградская, ул. Жлобы, д.57г	ООО "Уманьбытсервис"	т. 8(86145) 3-78-74	V+	V+	V+	V+	V+
Краснодарский край, ст. Стародеревянковская, ул. Комсомольская, д.25	ООО "ЭлитСервис"	т. 8(86164) 65-4-95, м.т. 8-918-355-81-70	V+	V+		V+	V+
Краснодарский край, ст. Староминская, ул. Толстого, д. 1	ИП Галишников А.А.	т. 8(86153) 4-16-70		V+			
г. Красноярск, ул. Дудинская, д. 1	СЦ "Электроальянс"	т. 8(3912) 93-54-33, т. 8(3912) 94-52-82	V+	V+	V+	V+	V+
г. Курск, ул. Студенческая, д. 36-а, ул. Сумская, д. 37-б	СЦ "Маяк+"	т. 8 (4712) 50-85-90, т. 8 (4712) 35-04-91	V+	V+	V+	V+	
г. Лабинск, Краснодарский край, ул. Турчанинова, д. 2	ООО "БЫТСЕРВИС"	т. 8 (86169) 7-39-99, т. 8(86169) 7-24-96	V+	V+	V+	V+	V+
г. Майкоп, ул. Гоголя, д. 29	СЦ "МастерСервис"	т. 8 (8772) 52-36-90	V+	V+	V+	V+	

г. Майкоп, ул. Димитрова, д. 25	ООО "Электрон-Сервис"	т. 8 (8772) 55-62-38		V+			V+
г. Махачкала, пр. Шамила, д. 20	Сервисный центр "РОСАМ"	т. 8(8722) 93-30-73	V+	V+	V+	V+	V+
г. Миллерово, Ростовская обл., ул. Калинина, д. 11	СЦ "Мастер Плюс"	т. 8(86385) 2-33-26 м.т 8-960-458-07-11	V+	V+		V+	V+
г. Москва, Сигнальный пр-д, д. 16, стр. 9	ООО "РеалМастер"	т. 8 (499) 340-29-89, т. 8 (499) 733-25-00		V+			
г. Москва, г. Зеленоград, корпус 1534	ООО "Протор-Сервис"	т. 8(499) 717-82-07, т. 8(499) 717-82-12	V+		V+	V+	V+
г. Москва, б-р Маршала Рокоссовского, д.3 (м.ул. Подбельского)	Технический Центр "Юник"	т. 8(495) 721-30-70, т. 8(499) 168-05-19, т. 8(499) 168-47-15	V+		V+	V+	V+
г. Москва, Старый Толмачевский пер., д.17, стр.2. (м.Новокузнецкая)	Технический Центр "Юник"	т. 8(495) 953-12-02, т. 8(495) 953-11-57, т. 8(495) 953-10-25	V+		V+	V+	V+
г. Москва, Волжский бульвар, д.50, кор.2 (м.Волжская)	Технический Центр "Юник"	т. 8(495) 178-89-22, т. 8(499) 742-35-63	V+		V+	V+	V+
г. Москва, ул.Новоалексеевская, д.14, кор.1 (м.Алексеевская)	Технический Центр "Юник"	т. 8(495) 627-53-25	V+		V+	V+	V+
г. Королев, Московская обл., пр-д Циолковского, д.5	Технический Центр "Юник"	т. 8(495) 516-24-60, т. 8(495) 516-24-61	V+		V+	V+	V+
г. Набережные Челны, ул. Вахитова, д.20 (30/05)	Сервисный Центр "ТриО"	т. 8(8552) 359002, т. 8(8522) 359042	V+	V+	V+		

г. Невинномыск, ул. Гагарина, д. 55	СЦ "ЭДВИС"	т. 8(86554) 5-59-77, т. 8(86554) 3-67-57	V+	V+	V+	V+	V+
г. Нижнекамск, ул. Кайманова, д. 9 (маг."Ак Калфак")	"Техника"	т. 8(8555) 48-08-80, т. м. 8-917-906-60-06	V+		V+	V+	V+
г. Нижний Новгород, ул. Заводской парк, д. 21	СЦ "Качественный сервис"	т. 8(831) 229-63-66, т. 8(831) 229-60-87	V+		V+	V+	
г. Нижний Новгород, ул. Ларина, д. 18А	ООО "Бытовая Автоматика-Сервис"	т. 8(831) 46-18-848		V+			V+
г. Нижний Новгород, ул. Коновалова, д. 6		т. 8(831) 46-18-848		V+			V+
г. Новокузнецк, Кемеровская обл., ул. Грдины, д. 18	ООО "Сибсервис"	т. 8 (3843) 20-31-33	V+		V+	V+	V+
г. Новороссийск, ул. Серова, д. 14	ООО "АРГОН-СЕРВИС"	т. 8(8617) 63-11-15, т. 8(8617) 63-03-95	V+	V+	V+	V+	V+
г. Новосибирск, ул. Вертковская, д. 42	ООО "Сибирский Сервис"	т. 8(383) 292-47-12, т. 8(383) 355-55-60, т. 8(383) 352-89-86	V+		V+	V+	V+
г. Новошахтинск, пл. Базарная, д. 24А	ЭлектроМир	т.8(86369) 3-74-75, т.м.8-928-609-35-85	V+	V+	V+		
г. Оренбу ул. Космическая, д. 4	ИП Бабина Т.В.	т. 8 (3532) 36-87-94	V+			V+	V+
г. Орск, ул. Волкова, д. 2	"Айс-Сервис+"	т. 8(3537) 33-84-43, т. 8(3537) 35-13-18	V+	V+	V+	V+	V+
г. Пенза, ул. Кулакова, д. 2	ООО "Мир Сервиса"	т. 8(8412) 26-09-60, т. 8(8412) 26-12-29	V+		V+	V+	V+

г. Пермь, ул. Деревообделочная, д. 3, корп. Б	ООО СК-Сервис"	т. 8 (342) 221-40-99	V+	V+	V+	V+	V+
Г.Петрозаводск, ул.Северная, д.11	"Алкор-Сервис"	Т. 8(8142) 78-06-93, т. 8(8142) 70-65-48	V+		V+		
г. Псков, ул. Труда, д. 11	ООО "Ремонт и Сервис"	т. 8 (8112)-53-86-30, т. 8 (8112)-53-86-50	V+		V+		
г. Пятигорск, Ставропольский край, ул. Ермолова, д. 12	Техно Сервис	т. 8(793) 31-84-16	V+	V+	V+	V+	V+
г. Россошь, Воронежская обл., ул.Пролетарская, д.148	Региональная Сервисная Компания	т. 8(47396) 48-911	V+	V+	V+	V+	V+
г. Ростов-на-Дону, ул. Турмалиновская, д. 79/3	ТД "Оптима Сервис"	т. 8 (863) 300-62-86	V+		V+	V+	V+
г. Ростов-на-Дону, ул. Евдокимова, д. 37 В	ООО "Максим-Сервис"	т. 8(863) 250-47-77	V+		V+		
г. Ростов-на-Дону, ул. 50-летия Ростсельмаша, д. 1/52, офис 55	ООО "Мастер"	т.8 (863) 21-92-112, т.м 8-800-100-51-52	V+	V+	V+	V+	V+
Ростовская обл., ст. Багаевская, ул.Трюта, д. 11а/17а	ИП Иванов А.П.	м.т. 8-906-453-35-81	V+		V+		
г. Рыбинск, Ярославская обл., ул. Свободы д.12	Сервисная служба "ТЕХНОСЕРВИС"	т. 8(4855) 22-04-77, т. 8(4855) 25-38-60	V+	V+	V+	V+	V+
г. Рыбинск, Ярославская обл., ул. Моторостроителей д.21	Сервисная служба "ТЕХНОСЕРВИС"	т. 8(4855) 24-31-21	V+	V+	V+	V+	V+

г. Рязань, ул. Пушкина, д. 14, корп. 1	ООО «Гарант-Климат»	т. 8(4912) 76-88-01, т. 8(4912) 40-30-30	V+	V+	V+	V+	V+
г. Рязань, ул. Касимовское шоссе, д. 42 "а"	ООО «Гарант-Климат»	т. 8(4912) 41-33-02,	V+	V+	V+	V+	V+
г. Самара, ул. Енисейская, д.52, оф. 8,9	Сервисный Центр	т. 8(846) 931-85-46	V+	V+	V+	V+	
г. Санкт-Петербург, пр. Обуховской обороны, д. 197	ООО "Евро-сервис XXI"	т. 8(812) 600-11-97	V+	V+	V+	V+	
г. Санкт-Петербург, проспект Стачек, д. 41, литер А	ООО "Прогресс-Сервис"	т. 8(812) 325-36-56, т. 8(812) 325-36-57	V+		V+	V+	
г. Санкт-Петербург, ул. Магнитогорская, д.11,36Н,лит.И	ООО "БИТ-95"	т. 8(812) 822-18-00, т. 8(812) 320-06-61	V+				
г. Саранск, ул. Садовая, д. 1	ООО "ТЕСТ-СЕРВИС"	т. 8(8342) 23-05-91, т. 8(8342) 47-48-59	V+	V+	V+		
г. Саратов, 3-я Дачная, "ТЦ-Поволжье"	ООО "ТРАНССЕРВИС-Саратов"	т. 8(8452) 35-11-80, т. 8(8452) 55-43-63	V+	V+	V+	V+	V+
г.Семикаракорск, ул.Ленина,д.167/1	ремонт С.Б.Т	т.м. 8-951-522-38-11	V+	V+	V+	V+	V+
г. Сергиев Посад, пр-т. Красной Армии, д. 253А	СП "Городская Служба Бытового Сервиса"	т. 8(496) 547-04-95, т. 8(496) 549-32-79	V+	V+		V+	V+
г. Сочи, ул. Донская, д. 90	ООО "ДЭЛ"	т. 8 (8622)55-51-19, т. 8 (8622) 55-01-08	V+			V+	V+
г. Ставрополь, ул. 50 лет ВЛКСМ, д. 8/1	ООО "Быт Сервис"	т. 8(8652) 74-01-91	V+	V+	V+		
г. Ставрополь, ул. Пушкина, д. 63	ООО "Унисервис"	т. 8(8652) 24-30-14, т. 8(8652) 23-31-81	V+	V+	V+	V+	V+

г. Ставрополь, пр. Кулакова, д. 15 Е, оф. 21	"Мир Климата"	т.8(8652)95-53-68, т. (8652)95-61-90		V+			
г. Старый Оскол, Белгородская обл., м-н. Лебединец, д. 1а	ЗАО "АВАНТАЖ-ИНФОРМ"	т. 8 (4725) 24-62-27, т. 8 (4725) 24-73-49	V+	V+	V+		
г. Стерлитамак, Республика Башкортостан, ул. Худайбердина, д. 158	ООО "Сервис-Технос"	т. 8(3473) 20-12-13, т. 8(3473) 20-27-70	V+		V+	V+	V+
г. Сыктывкар, Республика Коми, ул. Гаражная, д. 25	"Тех Сервис"	т. 8(8212) 22-95-29, т. 8(8212) 29-12-20	V+	V+	V+	V+	V+
г. Тамбов, ул. Мичуринская, д. 137а	ООО "БВС-2000"	т. 8(4752) 56-19-42, т. 8(4752) 56-19-44	V+	V+	V+	V+	V+
г. Тверь, ул. Московская, д.88/15	Сервис-Гарант	м.т. 8-910-834-80-35, м.т. 8-952-065-89-10	V+		V+		
г. Тимашевск, Краснодарский кр., ул. Ленина, д. 24/2	Сервис бытовой техники	т. 8(86130) 4-86-59, т.м. 8-918-147-02-03	V+	V+		V+	V+
г. Тольятти, ул. Мира, д. 48	ООО "Волга Техника+"	т. 8(8482) 22-72-41, т. 8(8482) 22-71-85, т. 8(8482) 61-65-64	V+	V+	V+	V+	V+
г. Томск, пр. Кирова, д. 58	ООО "Экстрем-2"	т. 8(3822) 56-23-35, т. 8(3822) 48-08-80	V+		V+		
г. Тула, ул. Ф. Энгельса, д. 137	ООО "Сервис-Центр"	т. 8(4872) 31-12-57	V+	V+	V+	V+	V+
г. Улан-Удэ, ул. Ербанова, д. 28	СЦ "Мастер"	т. 8(3012) 21-89-63	V+		V+	V+	V+

г. Ульяновск, ул. Гагарина, д.18, офис 18, 2 этаж	СЦ "Пилот"	т. 8(8422) 31-00-00	V+	V+	V+	V+	V+
г. Усть-Джегута, КЧР, ул. Курортная, д 378 а	СЦ "КАВКАЗ- СЕРВИС"	т. 8(87875) 7-44-82	V+	V+	V+		
г. Уфа, ул. Пр. Октября, д. 148	"Пилигрим- сервис"	т. 8(3472) 77-12-62,	V+		V+		
г.Уфа, -ул.Менделеева, д. 153 - пр. Октября, д. 42 -ул. Мира, д. 7	СЦ "Дженерал»	т. 8(347) 279-90-70, т. 8(347) 241-62-02					V+
г. Цимлянск, Ростовская обл., ул. Социалистическ ая, д 15а	"Телерадио товары"	т. 8(86391) 2-18-06	V+		V+		
г. Чебоксары, ул.Гагарина, д. 36	ЗАО "Телерадио сервис"	т. 8(8352) 62-30-97, т. 8(4942) 63-20-98	V+		V+		
г. Череповец, ул.Моченкова, д. 18	"Ремонт бытовой техники"	т. 8(8202) 54-31-88	V+		V+	V+	V+
г. Черкесск, пр. Ленина, д. 340"В"	АСЦ "ЮГ- СЕРВИС"	т. 8(8782) 27-30-60, т. 8(8782) 27-70-77	V+	V+	V+	V+	V+
г. Шахты, Ростовская обл., ул. Садовая, д. 1	Техно Сервис	м.т. 8-904- 345-83-18	V+	V+	V+	V+	V+
г. Элиста, 3-й микрорайон, д. 21а	"СКВ Сервис"	т. 8 (84722) 9-52-07, м.т. 8-937-469- 52-07	V+	V+	V+	V+	V+
г. Энгельс, ул. Петровская, д. 57	"Ремонт- сервис"	т. 8(8453) 55-80-89, м.т. 8-964- 848-45-06	V+		V+	V+	V+
г. Ярославль, ул. Угличская, д. 12	ООО "Трио- Сервис"	т. 8 (4852) 25-94-83	V+		V+		

UA

МІЖНАРОДНІ ГАРАНТІЙНІ ЗОБОВ'ЯЗАННЯ

Гарантія на виріб надається на термін 2 роки чи більше у випадку, якщо Законом про захист прав споживачів країни, в якій був придбаний виріб, передбачений більший мінімальний термін гарантії.

Всі умови гарантії відповідають Закону про захист прав споживачів і регулюються законодавством країни, у якій придбано виріб.

Гарантія і безкоштовний ремонт надаються в будь-якій країні, у яку виріб постачається компанією «Saturn Home Appliances» чи її уповноваженим представником, і де ніякі обмеження по імпорту чи інші правові положення не перешкоджають наданню гарантійного обслуговування і безкоштовного ремонту.

Випадки, на які гарантія і безкоштовний ремонт не поширюються:

1. Гарантійний талон заповнений неправильно.
2. Виріб вийшов з ладу через недотримання Покупцем правил експлуатації, зазначених в інструкції.
3. Виріб використовувався в професійних, комерційних чи промислових цілях (крім спеціально призначених для цих моделей, про що зазначено в інструкції).
4. Виріб має зовнішні механічні чи ушкодження, викликані влученням всередину рідини, пилу, комах і інших сторонніх предметів.
5. Виріб має ушкодження, викликані недотриманням правил живлення від батареї, мережі чи акумуляторів.
6. Виріб піддавався розкриттю, ремонту чи зміні конструкції особами, не уповноваженими на ремонт; проводилося самостійне чищення внутрішніх механізмів тощо.
7. Виріб має природний знос частин з обмеженим терміном служби, вдаткових матеріалів і т.д.
8. Виріб має відкладення накипу всередині чи зовні ТЕНів, незалежно від якості використаної води.
9. Виріб має ушкодження, які викликані впливом високих (низьких) температур чи вогню на нетермостійкі частини виробу.
10. Виріб має ушкодження належностей і насадок, що входять у комплект постачання виробу (фільтрів, сіток, мішків, колб, чаш, кришок, ножів, вінчиків, терок, дисків, тарілок, трубок, шлангів, щіток, а також мережних шнурів, шнурів навушників тощо).

З питань гарантійного обслуговування і ремонту звертайтеся до спеціалізованих сервісних центрів фірми «Saturn Home Appliances».

№ п. п	Адреса	Назва сервісного центру	Телефон	Категорія ремонтів		
				аудіо/відео	побутова техніка	кондиціонери
1	Алчевськ, вул. Гагаріна, 36	Hi-Fi (Кіслов)	(064) 424-89-50	+	+	+

2	Біла Церква, вул. Карбишева, 49	Еконіка-Сервіс	(04563) 633-19	-	+	-
3	Біла Церква, бул. 50-років Перемоги, 82	Маяк-Сервіс	(045) 63-68-413	+	+	+
4	Бердичів, вул. Леніна, 57	ЄВРОСЕРВІС	(041) 43-406-36	+	+	-
5	Берегове, Закарпатська обл. вул. І. Франка, 43	ПП "Пруніца"	(0314 1) 43-432	+	+	+
6	Васильків вул. Гагарі- на, 3, оф. 8	АМАТІ- СЕРВІС	(044) 332-01-67	+	+	+
7	Вінниця, пр-т Космонавтів, 42	Гарант- Сервіс (Екран- Сервіс)	(0432) 46-50-01	+	+	-
8	Вінниця, вул. Келецька, 61а	ЛОТОС	(0432) 61-95-73	+	+	+
9	Вінниця, пр-т. Юності, 16	Скормаг- Сервіс (Вінниця)	(0432) 464393; (0432) 468213	+	+	+
10	Вінниця, пров. Щорса, 3а	Базелюк	(0432) 64-24- 57, факс (0432) 64-26-22	+	+	+
11	Вінниця, вул. Порики, 1	Фахівець	(0432) 509-191, 579-191	+	+	+
12	Дніпропетровськ, вул. Ленінградська, 68, 1 корпус, к. 420	Москаленко Т.Н.	(0562) 337-574	+	+	+
13	Дніпропетровськ, вул. Набережна ім. Леніна, 17 оф.130	Дінек-Сервіс	(056) 778-63-25 (28)	+	+	+
14	Дніпропетровськ, вул. Кірова, 59	ЛОТОС	(0562) 35-04-09	+	+	+
15	Дніпропетровськ, вул. Набережна Пере- моги, 118	ЛОТОС	(0562) 67-60-44	+	+	+
16	Дніпропетровськ, вул. Коротка, 41 А	СЦ Універсал	(056) 790-04-60	+	+	+
17	Дніпропетровськ, вул. Краснопільська, 9	Рамус	(068) 851-33-33	+	+	+
18	Донецьк, пр-т Полегких комунарів, 188	Техносервіс (Яновская)	(062) 345-06-07	+	+	+

19	Донецьк, вул. Собінова, 129а	Сатурн- Донецьк	(062) 349-26-81	+	+	+
20	Донецьк, вул. Жмури, 1	СЦ Схід- Сервіс (Конуркин)	(062) 302-75-69	+	+	+
21	Житомир, вул. Львівська, 8	Тандем- сервіс СПД "Вашук"	(0412) 471-568	+	+	-
22	Житомир, вул. Домбровського, 24	СЦ Коваль (Євросервіс)	(0412) 47-07- 42, 42-11-53	+	+	-
23	Запоріжжя, вул. Правди, 50	Ремпобут- сервіс	(061) 220-97-65 (64)	+	+	+
24	Запоріжжя, вул. Гоголя, 175	ЛОТОС	(061) 701-65-96	+	+	+
25	Запоріжжя, вул. Дзержинського, 83	Електро- техніка ЧП	(061)212-03-03	+	+	+
26	Івано-Франківськ, вул. Нова 19а	Бриз ЛТД	(0342)559-525, 750-777	+	+	+
27	Івано-Франківськ, вул. Вовчинецька, 223	ЛОТОС	(0342) 75-60-40	+	+	+
28	Іллічівськ, вул. Транспортна, 9	Сатурн- Одеса	(048) 734-71-90	+	+	+
29	Ірпінь, вул. Пролетарська, 76	Валерія	(04597) 551-62	+	+	-
30	Канів, вул. Леніна, 161, (Чер- каська обл.)	Сатурн- Магніт	(04736) 629-49	+	+	+
31	Київ, вул. Новокостянтинівська, 16	Сатурн-ТВ	(044) 591-11-90	+	+	+
32	Київ, вул. Лугова, 1а	ЧП "Огесенко"	(044) 4269198	+	+	-
33	Київ, вул. Бориспіль- ська, 9 корп. 57	АМАТІ- СЕРВІС	(044) 369-5001 (063) 486-6999	+	+	+
34	Константинівка, вул. Безнощенко, 10	Гармаш (СЦ)	(06272) 2-62- 23, (050) 279-68-16	+	+	+
35	Кіровоград, вул. Луначарського, 1в	ЧП "Денисенко"	(0522) 301-456	+	+	+

36	Кіровоград, вул. Короленко, 2	ЛОТОС	(0522) 35-79-23	+	+	+
37	Кіровоград, вул. Колгоспна, 98	Північ-Сервіс (Лужков)	(0522) 270-345,349-585	+	+	+
38	Коломия, вул. Привокзальна, 13	Бриз ЛТД	(097) 264-21-67, 776-67-70	+	+	+
39	Конотоп, пр-т. Леніна, 11	ЧП "Олексій"	(05447) 61-356	+	+	+
40	Коростень, вул. Крупська 3, оф. 5	ЧП "Бондар"	(04142) 5-05-04	+	+	+
41	Краматорськ, вул. Бикова, 15-106	Ісламов Р.Р.	(06264) 5-93-89	+	+	+
42	Краматорськ, вул. Шкільна, 7	Технолокс СЦ	(050) 526-06-68	+	+	+
43	Кременчук, вул. Радянська, 44, оф. 1	ЕкоСан (ФОП Юдін)	(05366) 39-192	+	+	-
44	Кременчук, вул. Переяславська, 55А	СЦ Шамрай	(0536) 74-72-10, 74-71-81	+	+	+
45	Кривий Ріг, пр-т Гагаріна, 42	Євросервіс	(056) 401-33-56, 404-00-80, 474-61-03	+	+	+
46	Кривий Ріг, вул. Косіора, 64/7	ЛОТОС	(0564) 40-07-79	+	+	+
47	Кривий Ріг, вул. Революційна, 73	ТОВ "Ягуар" фокстрот	(056) 440-07-64	+	+	+
48	Лубни, вул. Радянська, 81	СЦ Яценко	(050) 214-91-73; (066) 017-02-03	+	+	+
49	Луганськ, вул. Дніпровська, 49а	Сатурн-Луганськ	(0642) 505-783	+	+	+
50	Луганськ, вул. Ломоносова, 96ж	Східний	(0642) 494-217, 33-11-86	+	+	+
51	Луцьк, вул. Федорова, 3	Остапович (БАС)	(0332) 78-05-91	+	+	+
52	Львів, вул. Підголоско, 15а	Крупс	(032) 244-53-44	+	+	+
53	Львів, вул. Стризька, 35	ЧП "Грушецький"	(032) 2973631	+	+	+
54	Львів, вул. Червоної Калини, 109	Потапенко СЦ Шанс	(032) 247-14-99	+	+	+

55	Львів, вул. Володимира Великого, 2	Потапенко СЦ Шанс	(032) 247-14-99	+	+	+
56	Львів, вул. Б. Хмельницького, 116	ТОВ "Рестор-Сервіс"	(032) 245-80-52	+	+	-
57	Львів, вул. Шараневича, 28	РО Сімпекс	(032) 239-51-52 (032) 239-55-77, 295-50-28, 295-50-29	+	+	+
58	Львів, вул. Курмановича, 9	ТОВ "Міленіум"	032-267-63-26	+	+	-
59	Могилів-Подільський, вул. Дністровська, 2	Скормаг-Сервіс (Могилів-Подільський)	04337-64847; 0432-468213	+	+	+
60	Мукачеве, вул. Кооперативна, 46	Віком	(03131) 37-337, 37-336	+	+	-
61	Маріуполь, бул. 50 років Жовтня, 32/18	ЛОТОС	(0629) 41-06-50	+	+	+
62	Маріуполь, пр-т. Металургів, 227	СЦ "Реал-Сервіс" (Озеров)	(0629) 473-000	+	+	+
63	Миколаїв, вул. Чкалова, 33,	ТСЦ "Аладін" (Муленко)	(0512) 580-555	+	+	+
64	Миколаїв, Внутріквартальний проїзд, 2	ЛОТОС	(0512) 58-06-47	+	+	+
65	Миколаїв, вул. Леніна, 177 А	Миколаїв (Фокстрот)	(0512) 55-29-04	+	+	+
66	Нікополь, вул. Гагаріна, 62 А	Ніка-Сервіс (Джепа) Імпорттехно-сервіс	(05662) 22-488, (097) 402-71-95	+	+	-
67	Нікополь, вул. Шевченко, 97, оф. 2	ТОВ "Прем'єр-Сервіс" (Готов)	(05662) 4-15-03	+	+	-
68	Новоград-Волинський, вул. Вокзальна, 38	СПД "Кожедуб"	(041) 4152010	+	+	-
69	Одеса, вул. Новосільського 66 (пров. Топольського 2)	Ремус	048-7317704; 7317703;	+	+	+

70	Одеса, вул. Б. Хмельницького, 55	ПП"Кушнір"	(048) 715-10-25, (0482) 39-06-18	+	+	+
71	Павлоград, вул. Шевченко, 67	"Інтерсервіс" (Шульга)	8(05632) 6-15-54, (05632) 6-23-42	+	+	-
72	Полтава, вул. Алмазна 14	ЛОТОС	(0532) 69-42-62	+	+	+
73	Полтава вул. Зеньківська 21	АМАТІ-СЕРВІС	(0532) 69-09-46 (093)562-81-25	+	+	+
74	Полтава, вул. Пролетарська, 22	Пром-електроніка	(0532)57-21-64, 57-21-66	+	+	+
75	Прилуки, Київська, 371а	АМАТІ-СЕРВІС	(04637)53-982 (093)753-38-28	+	+	+
76	Прилуки, вул. Борців Революції, 101/1	ЧП Костюченко	(046) 3738595	+	+	+
77	Рівне, вул. Тиха, 12	Електроніка-Сервіс	(0362) 26-67-53,26-65-85	+	+	-
78	Саки, вул. Кузнєцова, 14	Техновеліс СЦ	(065)632-21-83, (050) 904-57-17	+	+	+
79	Севастополь, вул. Пожарова, буд. 26Б	Діадема СЦ	(0692) 55-56-43, 45-36-99	+	+	+
80	Севродонецьк, вул. Федоренко 20а	СЦ "Електронні системи"	(0645) 702514, (06452) 4-43-85, 4-51-83	+	+	+
81	Сімферополь, вул. Ковильна, 72	Телемір-сервіс	(0652)-69-07-78	+	+	+
82	Сімферополь, вул. Некрасова 17/1	ТОВ "НК-Центр"	(0652) 522-771	+	+	+
83	Сміла, вул. Мічуріна, 32	Ласк-Сервіс	(04733)-46-182	+	+	-
84	Стаханов, вул. Кірова, 15 (Луганська обл.)	Альбіт	(06444)40289	+	+	+
85	Стрий, вул. Шевченка 171Б/10	Телерадіо-сервіс	(245) 53-136	+	+	+
86	Нова Каховка, вул. Заводська 38	Стародубець А.В.	(055) 497-26-17	+	+	-
87	Суми, вул. Білопольське шосе, 19	Панченко	(0542) 705-296	+	+	-

88	Суми, вул. Кооперативна, 17	SLT- Service (Думанчук)	(0542) 78-10-13	+	+	+
89	Тернопіль, вул. Чадаєва, 2	СПД "Самуляк"	(0352) 26-30-13, 23-17-97	+	+	-
90	Умань, вул. Ленінградської Іскри 1/24	"Електрон-Сервіс" ФЛП Баландін І.Ю.	(047) 44-46-614,(047) 44-46-134	+	+	+
91	Ужгород, вул. Гагаріна, 101	Міленіум	(0312) 661-297	+	+	+
92	Харків, вул. Бакуліна, 12	Комтех	(057) 717-13-39, 702-16-20	+	+	+
93	Харків, вул. Полтавський шлях, 3	Тевяшов (Каскад)	(057) 734-97-24, 712-51-81	+	+	-
94	Харків, вул. Фонвізіна, 18	ЧП "Саванов"	(096) 595-37-46	+	+	+
95	Харків, вул. Вернадського, 2	Осьмачко А.Н.	(057) 758-10-39; 758-10-40	+	+	+
96	Хуст, вул. Пирогова, 1а	РТА Хуст ПМ Ком'яті	(03142) 42-258	+	+	+
97	Херсон, вул. Лаврінева 5	ТТЦ Електроніка	(0552) 29-60-42	+	+	+
98	Херсон, вул. Карбишева, 28а	ЛОТОС	(0552) 43-40-33	+	+	+
99	Херсон, вул. Леніна, 35	ЧП Команди	(0552) 420-235	-	-	+
100	Хмельницький, вул. Львівське шосе, 10/1	Орбіта-Ікстал	(0382) 723-241, 723-240	+	+	+
101	Черкаси, вул. Енгельса, 71	Радіоімпульс	(0472) 435-389	+	+	+
102	Черкаси, вул. Громова, 146, оф.102	СЦ "Технохолод"	(0472) 563-478, 500-354, (096) 505-63-63	+	+	+
103	Чернігів, вул. 77-ої Гвардійської дивізії, 1	Вена	(0462) 601585	+	+	+
104	Чернігів, пр-т. Миру, 80	Лагрос	(0462) 724-872, 724-949	+	+	-

105	Чернівці, вул. Політасва, 6д	Калмиків (ПРУТ)	(0372) 90-81-89	+	+	+
106	Чернівці, вул. Лук'яна Кобилиці, 105 (вхід знадвору)	Блошко	(0372) 55-48- 69,90-13-11	+	+	+
107	Чернівці, вул. Головна, 265	СЦ Гринчук (Фокстрот)	(0372) 58-43-01	+	+	+
108	Шостка, вул. Робоча, 5	Берізка	(05449) 40-707	+	+	-
109	Ялта, вул. Жадановського, 3	СЦ "АВІ- Електронікс"	(050) 373-73-71	+	+	+
110	Ялта, вул. Дзержинського, 5	Телемір- сервіс (маг.)	(050) 324-43-01	+	+	-

GB

WARRANTY COUPON

**When purchasing the product,
please require its checking before you;
BE SURE
that the goods sold to you, are functional and complete
and that the warranty coupon is filled in correctly.**

This warranty coupon confirms the absence of any defects in the product you purchased and provides for free of charge repair of the product failed through the fault of the manufacturer throughout the period of warranty service and free of charge repair.

Failing the presentation of this coupon, in case of its improper filling in, infringement of factory seals (if any), and also in cases indicated in the warranty obligations, the claims are not accepted, and no warranty service and free of charge repair is made!

The warranty coupon is valid only in the original copy with the stamp of trading organization, signature of the seller, date of sale and signature of the buyer.

CZ

ZÁRUČNÍ LIST

**Při koupi výrobku
žádejte o jeho vyzkoušení ve Vaší přítomnosti,
PŘESVĚDČTE SE,
že Vám prodaný výrobek je dobře fungující a kompletní
a že záruční list je vyplněn správně.**

Tento záruční list potvrzuje, že na Vámi koupeném výrobku nejsou žádné vady a zajišťuje bezplatnou opravu nefungujícího přístroje z viny výrobce, během celé záruční doby.

Bez předložení tohoto listu, při jeho nesprávném vyplnění, porušení plomb výrobce (jsou-li na výrobku) a také v případech, které jsou uvedené v záručním listě, nároky se nepřijímají a záruční oprava se neprovádí!

Záruční list je platný jenom jako originál s razítkem obchodní organizace, podpisem prodáváče, termínem prodeje a podpisem zákazníka.

RU

ГАРАНТИЙНЫЙ ТАЛОН

При покупке изделия
требуйте его проверки в Вашем присутствии,
УБЕДИТЕСЬ,
что проданный Вам товар исправен и полностью укомплектован,
гарантийный талон заполнен правильно.

Данный гарантийный талон подтверждает отсутствие каких-либо дефектов в купленном Вами изделии и обеспечивает бесплатный ремонт вышедшего из строя изделия по вине производителя в течение всего срока гарантийного обслуживания и бесплатного ремонта.

Без предъявления данного талона, при его неправильном заполнении, нарушении заводских пломб (если они имеются на изделии), а также в случаях, указанных в гарантийных обязательствах, претензии не принимаются, а гарантийный и бесплатный ремонт не производится!
Гарантийный талон действителен только в оригинале со штампом торгующей организации, подписью продавца, датой продажи, подписью покупателя.

UA

ГАРАНТІЙНИЙ ТАЛОН

При придбанні виробу
вимагайте його перевірки у Вашій присутності,
ПЕРЕКОНАЙТЕСЬ,
що проданий Вам товар справний і цілком укомплектований,
гарантійний талон заповнений правильно.

Даний гарантійний талон підтверджує відсутність будь-яких дефектів у купленому Вами виробі і забезпечує безкоштовний ремонт виробу, що вийшов з ладу, з вини виробника протягом всього терміну гарантійного обслуговування і безкоштовного ремонту.

Без пред'явлення даного талона, при його неправильному заповненні, порушенні заводських пломб (якщо вони є на виробі), а також у випадках, зазначених у гарантійних зобов'язаннях, претензії не приймаються, а гарантійний і безкоштовний ремонт не проводиться!
Гарантійний талон дійсний тільки в оригіналі зі штампом торгуючої організації, підписом продавця, датою продажу і підписом покупця.

Saturn®

WARRANTY COUPON

ZÁRUČNÍ LIST

ГАРАНТИЙНЫЙ ТАЛОН

ГАРАНТІЙНИЙ ТАЛОН

SATURN HOME APPLIANCES S.R.O. KONĚVOVA 141/2660
13083 PRAHA 3 – ŽIŽKOV, ČESKÁ REPUBLIKA, TEL: + 4202/ 67 108 392

Model / Артикул

Production number/Výrobní číslo/Производственный номер
/Виробничий номер

Date of sell/Termín prodeje/Дата продажи/Дата продажу,

Shop stamp/Razítko obchodu/Штамп магазина/Штамп магазину

Seller's signature/Podpis prodavače/Подпись продавца/Підпис продавця

Buyer's Signature confirming the acquaintance and consent with conditions of free of charge maintenance service of the product, and absence of the complaints on appearance and color of the product.

Podpis zákazníka, potvrzující seznámení a souhlas s podmínkami bezplatného záručního servisu výrobku, a také neexistence nároků na vnější vzhled a barvu výrobku.

Подпись покупателя, подтверждающая ознакомление и согласие с условиями бесплатного сервисно-технического обслуживания изделия, а также отсутствие претензий к внешнему виду и цвету изделия.

Підпис покупця, що підтверджує ознайомлення і згоду з умовами безкоштовного сервісно-технічного обслуговування виробу, а також відсутність претензій до зовнішнього вигляду та кольору виробу.

Saturn®		Saturn®		Saturn®	
Model / Артикул / Артикул.....	Model / Артикул / Артикул.....	Model / Артикул / Артикул.....	Model / Артикул / Артикул.....	Model / Артикул / Артикул.....	Model / Артикул / Артикул.....
Production number / Производственный номер / Виробничий номер.....	Production number / Производственный номер / Виробничий номер.....	Production number / Производственный номер / Виробничий номер.....	Production number / Производственный номер / Виробничий номер.....	Production number / Производственный номер / Виробничий номер.....	Production number / Производственный номер / Виробничий номер.....
Name of the Trade Company / Наименование торговой организации/Назва торгової організації.....	Name of the Trade Company / Наименование торговой организации/Назва торгової організації.....	Name of the Trade Company / Наименование торговой организации/Назва торгової організації.....	Name of the Trade Company / Наименование торговой организации/Назва торгової організації.....	Name of the Trade Company / Наименование торговой организации/Назва торгової організації.....	Name of the Trade Company / Наименование торговой организации/Назва торгової організації.....
Stamp of the Trade Company/Место печати торговой организации/Місце печатки торгової організації.....	Stamp of the Trade Company/Место печати торговой организации/Місце печатки торгової організації.....	Stamp of the Trade Company/Место печати торговой организации/Місце печатки торгової організації.....	Stamp of the Trade Company/Место печати торговой организации/Місце печатки торгової організації.....	Stamp of the Trade Company/Место печати торговой организации/Місце печатки торгової організації.....	Stamp of the Trade Company/Место печати торговой организации/Місце печатки торгової організації.....
Client Address/Phone # / адрес/телефон клиента адреса / телефон клієнта.....	Client Address/Phone # / адрес/телефон клиента адреса / телефон клієнта.....	Client Address/Phone # / адрес/телефон клиента адреса / телефон клієнта.....	Client Address/Phone # / адрес/телефон клиента адреса / телефон клієнта.....	Client Address/Phone # / адрес/телефон клиента адреса / телефон клієнта.....	Client Address/Phone # / адрес/телефон клиента адреса / телефон клієнта.....
Date of Receiving/дата приема/дата прийому.....	Date of Receiving/дата приема/дата прийому.....	Date of Receiving/дата приема/дата прийому.....	Date of Receiving/дата приема/дата прийому.....	Date of Receiving/дата приема/дата прийому.....	Date of Receiving/дата приема/дата прийому.....
Defect / дефект / дефект.....	Defect / дефект / дефект.....	Defect / дефект / дефект.....	Defect / дефект / дефект.....	Defect / дефект / дефект.....	Defect / дефект / дефект.....
Signature, Stamp / Подпись, печать / Підпис, печатка.....	Signature, Stamp / Подпись, печать / Підпис, печатка.....	Signature, Stamp / Подпись, печать / Підпис, печатка.....	Signature, Stamp / Подпись, печать / Підпис, печатка.....	Signature, Stamp / Подпись, печать / Підпис, печатка.....	Signature, Stamp / Подпись, печать / Підпис, печатка.....
COUPON 1	COUPON 2	COUPON 3	COUPON 4	COUPON 5	COUPON 6