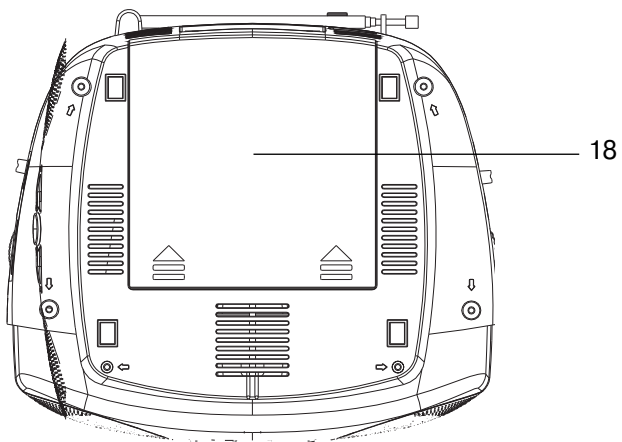
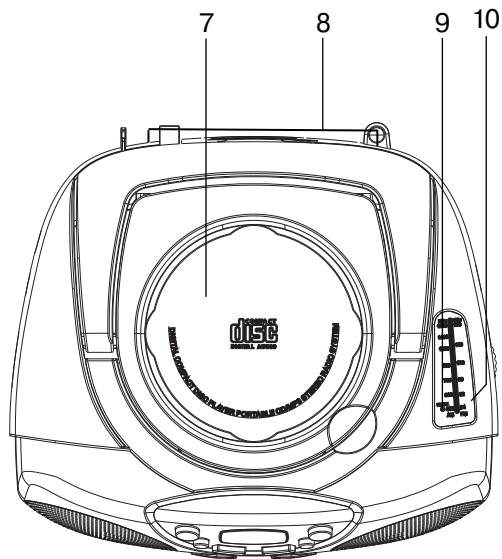


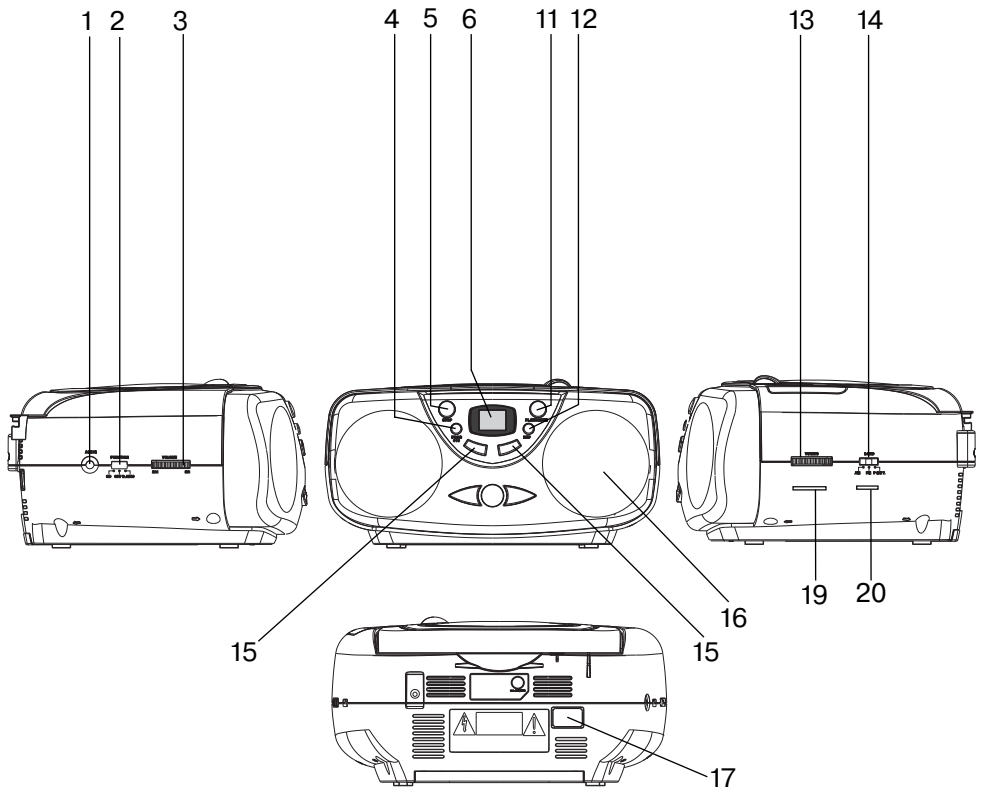
Maxwell

моя первая любовь

Инструкция по эксплуатации

GB Manual instruction	4
RUS Инструкция по эксплуатации	10
UA Інструкція з експлуатації	17
KZ Пайдалану нұсқасы	24
UZ Фойдаланиш қоидалари	31







ENGLISH

MP3/CD

INSTRUCTION MANUAL

Please read these instructions carefully before connecting, operating or adjusting the unit. Follow all warnings and operating recommendations in this manual.

Keep this manual for future reference.

	ATTENTION! RISK OF ELECTRIC SHOCK DO NOT OPEN	
<p>Warning: To prevent fire or shock hazard do not expose the unit to rain or moisture. To prevent shock hazard do not remove the cover yourself. Apply to a service centre for repair and maintenance.</p>		

DANGEROUS VOLTAGE



This lightning flash with arrowhead symbol, within an equilateral triangle, is intended to alert the user to the presence of uninsulated "dangerous voltage" within the product's enclosure that may be of sufficient magnitude to constitute a risk of electric shock to persons.

ATTENTION



The exclamation point within an equilateral triangle is intended to alert the user about the presence of important operating and maintenance (servicing) instructions in the manual accompanying the unit.

CLASS 1 LASER PRODUCT

This unit is classified as CLASS 1 LASER PRODUCT. The corresponding mark is on the rear panel of the unit and it means that the unit employs a beam system. Possibility of laser emission is absent if the unit is not being opened. REFER TO QUALIFIED SERVICE PERSONNEL FOR MAINTENANCE.

SAFETY MEASURES

- Check, whether the electricity supply in your home sockets corresponds to the voltage specified on the housing of the unit.
- To prevent fire or shock hazard do not use this unit in places with high humidity (near a bath tub, wash bowl, kitchen sink or laundry tub, in a wet basement, or near a swimming pool etc.). Prevent the unit from dripping and splashing. Do not immerse the unit into water.
- Do not overload wall outlets or extension cords as this can result in a risk of fire or electric shock.

- Place the unit in a way that you could easily pull out the plug from the socket if there are some damages.
- Place the unit on the flat surface with proper ventilation. Do not block the ventilation openings on the body of the unit.
- Do not place the unit near heat sources, for instance, radiators, electric heaters, stoves or other units, which are heat sources (including amplifiers), as well as in places, subjected to direct sunlight, excessive dust or mechanical strikes.
- For additional protection during lightning and in cases when you are not going to use the unit for a long time, unplug the unit. It will prevent the unit from failure during lightning and power surges.
- To unplug the unit, take the plug. Do not pull the cord.
- Be especially careful if children or disabled persons are near the operating unit. Do not leave them unattended.
- This unit is not intended for usage by children or disabled persons unless they are given all the necessary instructions on safety measures and information about danger, which can be caused by improper usage of the unit.
- Do not make the volume too loud while listening to the player in order not to disturb the rest of the people around you.
- To avoid decline of hearing while listening to the unit via the earphones, do not make the volume too high, experts do recommend listening to the unit at high volume for a long time, if you hear ringing in your ears, decrease volume of stop listening.
- Do not place sources of open flame such as candles on the unit.
- To avoid getting of electric shock, injuries or damaging of household goods, do not drop and do not insert foreign objects into any other openings of the unit.
- In order to avoid electric shock do not remove the cover yourself. Do not repair and do not modify the unit. Technical maintenance should be performed only by qualified service personnel.

Damages requiring repairs

Unplug this unit from the wall outlet and apply to the qualified service personnel for repair of the unit under the following conditions:

-When the power supply cord or plug is damaged.

- There are foreign objects inside the unit.
- If the unit has been exposed to rain or water.
- If the unit does not operate normally.
- If the unit fell down or was damaged in any other way.

Cleaning

Unplug this unit from the wall outlet before cleaning. Use a damp soft cloth for cleaning. Do not use liquid cleaners or aerosol cleaners.

Cleaning disc

- Do not use cracked or deformed discs, it can damage the unit.
- Hold the disc only by the edges. Do not touch the operating surface of a disc. Dust, scratches or fingerprints on the surface may lead to a failure of the unit.
- Protect the disc from direct sunlight; heat sources, high temperature and moisture.
- After usage, put the discs in the case for storage. Wipe the surface of the discs with a soft cloth from the center to the edges periodically.

Before operation

Unpack the unit. Open the lid (7) and eject the protective insert, close the lid (7). Remove all advertising labels and stickers, which prevent the unit from normal operation, from the upper and front part of the unit.

DESCRIPTION

1. Earphones jack (3,5mm).
2. **FUNCTION** switch (CD / OFF / RADIO)
3. **VOLUME** control
4. PROG +10 button
5. STOP ■ button
6. LCD-display
7. CD compartment lid
8. Telescopic FM – antenna
9. FM ST indicator
10. Radio tuning scale
11. ► || PLAY/PAUSE
12. REP button
13. TUNING knob
14. BAND switch (AM / FM /FM ST)
15. ◀▶ button
16. Speakers
17. Jack for connecting the power cord
18. Battery compartment lid

POWER CONNECTION

Line supply

Before connecting the unit, make sure that your home electricity supply corresponds to the voltage specified on the unit.

- To connect the unit, insert one end of the power cord in the jack (17), and the power plug into the socket.
- Set the (2) **FUNCTION** switch to the CD or RADIO position.
- To switch off the unit set the (2) **FUNCTION** switch to the OFF position.

Battery supply

- Disconnect the player.
- Open the battery compartment lid (18).
- Insert 8 batteries of "C", "LR14", UM 2" type 1,5 V (not supplied) into the battery compartment following the polarity.
- Close the battery compartment lid.

Attention!

- Do not use batteries of different types together, for instance alkaline and manganese-zinc ones. Use only batteries of the same unit.
- Do not use old and new batteries together when replacing the batteries.
- With unstable operation of the unit, check the batteries and replace them if necessary.
- Take the batteries out if you are not going to use the unit for a long time.
- Improper usage of the batteries can lead to electrolyte leakage and damaging of the unit.

Note: When the unit is in the standby mode, it still consumes power, to switch off the unit completely disconnect the power cord from the socket.

Connecting the earphones

To listen to the player via the earphones (not supplied) connect them to the (1) **PHONES** jack. Set the desired volume level using the (3) **VOLUME** control. Playback from the speakers will switch off automatically when the earphones are connected.

Attention! Do not listen to music too loud via the earphones. To avoid decline of hearing while listening to the unit via the earphones, do not make the volume too high, experts do recommend listening to the unit at high volume for a long time.

BASIC FUNCTIONS

Adjusting volume level

Use the VOLUME (3) control to adjust the desired volume level.

ENGLISH

Radio stations reception

1. Set the **FUNCTION** (2) switch to the RADIO position.
2. Select the desired band: AM, FM, FM ST, setting the (14) **BAND** switch to the corresponding position.
3. Rotate the **TUNING** knob (13) to select the desired radio station.
4. After you stop listening to the radio, set the **FUNCTION** switch (2) to the OFF position.

Note:

- When tuning to the station, which transmits stereo signal, the FM ST indicator (9), which is situated on the radio tuning scale, will light up.
- in conditions of bad receipt interferences can appear (the indicator (9) will be flashing), in this case set the (14) **BAND** switch to the FM position, sound will be played back in the mono mode, but the interferences level will significantly decrease.

Antenna

- For the best FM reception, completely extend the antenna (8) and direct it at the desired angle.
- For the best AM reception, try different variants of the unit orientation in the horizontal plane.

Playback of CD discs

Setting a disc – open the disc compartment lid (7). Inset a CD disc with a label up and close the lid (7) of the disc compartment.

Ejecting a disc – after the playback stops open the CD compartment lid (7), “OP” will appear on the display (6) and eject the disc. Put the disc in the case.

Always close the CD compartment lid (7) in order to prevent it from dust. Always eject a disc from the CD compartment if it is not being played back.

1. Plug in the unit.
2. Select the CD playback mode. To do it, set the **FUNCTION** switch (2) to the CD position, the display lighting (6) will light up.
3. Open the lid (7), insert a disc with the label up and close the lid (7).
4. After reading of the information from a disc total number of tracks will appear on the display (6) and playback of the first track on the disc will start.

Note:

- the unit can playback CD-R and CD-RW discs
- when there is no disc in the compartment or the disc is damaged “no” will appear on the display (6).

Playback

- In the stop mode press the button (11), playback of the disc will start and the number of the played back track and the ►|| symbol will appear on the display (6).

Pause

- To pause the playback press the button (11), the ►|| and the number of the track will be flashing on the display (6).
- To resume the playback, press the button (11) once again.

Stop the playback

- To stop the playback press the button (5)■, total number of the tracks on the disc will appear on the display (6).

Moving to the beginning of the previous track or to the next track.

- During the playback or in the pause mode, to move to the previous or the next track press the buttons (15) ◀▶.

Moving to the playback of a certain fragment of a track

- In the playback mode press and hold the buttons (15) ◀▶ for quick moving to the playback of a certain fragment of a track.

Note:

- in the quick moving to the fragment of a track mode, when one of the buttons (15) ◀▶ is pressed, the sound is not played back.

Repeated playback of a track or a disc

- To repeat one track press the (12) **REP** once, “REP” will appear on the display.
- To repeat all tracks on the disc press the (12) **REP** twice, “REP ALL” will appear on the display (6).

Random playback of the recorded tracks

- To playback all tracks in the random order, press the (12) **REP** button three times, “RAND” will appear on the display (6).

Note:

- switching on of the repeat modes can be performed from the playback mode, pause or stop mode.
- to cancel repeat modes, press the (12) **REP** button several times, until “REP”, “REP ALL” or “RAND” disappear.

Programming the playback of tracks

You can program playback of tracks (maximum 20) in the desired order.

1. In the STOP mode, press the (4) **PROG+10** button once, the flashing "PROG" symbol and "P01" symbol will appear on the display.
2. Press the buttons (15) **◀/▶** to select the desired track.
3. To store the selected track in memory press the **PROG+10** button, "P02" (6), in which the next track can be recorded, will appear on the display (refer to p. 2).
4. You can program up to 20 tracks, when the number of the memory cells is exceeded, "FUL" will appear on the display.
5. To playback tracks in the programmed order, press the button (11).
6. To cancel programmed playback of tracks press the button (5) **■**, open the lid (7) of the disc compartment or set the (2) **FUNCTION** switch to another position.

Playback of MP3 files from a disc

Qualitative sound, without interferences and malfunction is guaranteed only at playback of the licensed discs, but depending on software of the manufacturer of the disc or burning speed, problems while reading the disc by the unit can appear as well.

Playback of files

1. Plug in the unit.
2. Select the CD playback mode. Set the (2) **FUNCTION** switch to the CD position, lighting of the display (6) will light up.
3. After reading of the information total number of folders "F", total number of tracks will appear on the display (6), playback of the first track from the first folder of the disc will start. Playback symbols **▶ ||** will be displayed (6), the track number will take turns with the folder number, format of the track "MP3" or "WMA" will be displayed in the upper part of the display.
4. If the damaged disc inserted "no" will appear on the display (6).

Playback

- In the stop mode press the button (11), playback will start, **▶ ||**, will be displayed (6), the track number will take turns with the folder number, format of the track "MP3" or "WMA" will be displayed in the upper part of the display.
- In the playback mode to move 10 tracks forward, press the (4) **PROG +10** button.

Pause

- To pause the playback press the button (11), the **▶ ||** and the number of the track will be flashing on the display (6).
- To resume the playback, press the button (11) once again.

Stop the playback

- To stop the playback press the button (5) **■**, total number of the tracks on the disc will appear on the display (6).

Moving to the beginning of the previous track or to the next track.

- During the playback or in the pause mode, to move to the previous or the next track press the buttons (15) **◀/▶**.

Moving to the playback of a certain fragment of a track

- In the playback mode press and hold the buttons (15) **◀/▶** for quick moving to the playback of a certain fragment of a track.

Note:

- in the quick moving to the fragment of a track mode, when one of the buttons (15) **◀/▶** is pressed, the sound is not played back.
- with long pressing or holding the (15) **◀** button, playback will start from the beginning of the track, in which certain place of the playback of the track fragment was selected.

Repeated playback of a track or a disc

- To repeat one track press the (12) **REP** once, "REP" will appear on the display.

Repeated playback of the album (ALBUM)

To repeat all tracks of the album (one of the folders "F") press the (12) **REP** button twice, "ALBUM" will appear on the display.

Repeated playback of all tracks on the disc

- To repeat all tracks on the disc press the (12) **REP** three times, "REP ALL" will appear on the display (6).

Random playback of the recorded tracks

- To playback all tracks in the random order, press the (12) **REP** button four times, "RAND" will appear on the display (6).

ENGLISH

Note:

- switching on of the repeat modes can be performed from the playback mode, pause or stop mode.

- to cancel repeat modes, press the (12) **REP** button several times, **until** "REP", "REP ALL" or "RAND" disappear.

Programming the playback of tracks

You can program playback of tracks (maximum 99) in the desired order.

1. In the STOP mode, press the (4) **PROG+10** button once, the flashing "PROG" symbol and "P01" symbol will appear on the display.
2. Press the buttons (15) **◀/▶** to select the desired track.
3. To store the selected track in memory press the **PROG+10** button, "P02" (6), in which the next track can be recorded, will appear on the display (refer to p. 2).

4. You can program up to 99 tracks, when the number of the memory cells is exceeded, "FUL" will appear on the display.

5. To playback tracks in the programmed order, press the button (11).

6. To cancel programmed playback of tracks press the button (5) **■**, open the lid (7) of the disc compartment or set the (2) **FUNCTION** switch to another position.

TROUBLESHOOTING GUIDE

Improper usage is always the case of trouble or bad playback. If you consider that there is something wrong with the unit, check possible causes in this table.

If you have not managed to solve the problem, apply to the nearest authorized service center.

Problem	Possible cause	Solution
Radio		
Noise while listening to radio stations in FM or AM band	The station is not tuned	Tune the station
	FM band: the antenna is not extended	Extend the antenna
	AM band: the unit is not oriented to the transmitting station	Try to rotate the body of the player around its axis
The unit does not playback stations in FM or AM band	The FUNCTION switch is not set o the RADIO position	Set the FUNCTION switch to the RADIO position
	Low volume level	Increase volume level
Disc		
Disc is not played back	The FUNCTION switch is not set to the CD position	Set the FUNCTION switch to the CD position
	Disc is absent or set improperly	Check the disc, it should be placed with its label upwards
Some tracks cannot be played back	Disc is scratched or dirty	Wipe the disc with a soft cloth, do not use the damaged discs
Disc is in its place but tracks cannot be played back	Disc is placed improperly	Check the disc, it should be placed with its label upwards
	Disc is scratched or dirty	Wipe the disc with a soft cloth, do not use the damaged discs
	Improper disc format	Use discs with corresponding format

Technical specifications

Power supply	AC 220-240 V, ~50 Hz / 8 x 1,5V batteries UM-2 (R-14 or C)
Power output	2 x 1,2 W
Frequency range	AM: 522 - 1620 kHz FM: 64 - 108 MHz
Disc loading	Upper

The manufacturer shall reserve the right to change the specification of the appliances without preliminary notice.

Service life of appliance - 3 years

Guarantee

Details regarding guarantee conditions can be obtained from the dealer from whom the appliance was purchased. The bill of sale or receipt must be produced when making any claim under the terms of this guarantee.

This product conforms to the EMC-Requirements as laid down by the Council Directive 89/336/EEC and to the Low Voltage Regulation (73/23 EEC)



РУССКИЙ

Магнитола с MP3/CD

ИНСТРУКЦИЯ ПО ЭКСПЛУАТАЦИИ

Перед подключением, использованием или настройкой устройства внимательно ознакомьтесь с инструкцией. Необходимо соблюдать все предупреждения и рекомендации по эксплуатации устройства, приведенные в настоящей инструкции.

Сохраните инструкцию и используйте ее в дальнейшем в качестве справочного материала.

	Внимание Опасность поражения электрическим током Не открывать	
<p>Предупреждение: Во избежание возникновения пожара или поражения электрическим током не подвергайте устройство воздействию дождя или влаги. Во избежание удара электрическим током не открывайте корпус устройства самостоятельно. Сервисное обслуживание должно осуществляться только квалифицированными специалистами сервисных центров.</p>		

Опасное напряжение



Значок молнии в равностороннем треугольнике указывает пользователю на наличие опасного напряжения внутри корпуса устройства, которое может привести к поражению электрическим током.



Внимание

Значок восклицательного знака в равностороннем треугольнике указывает пользователю на наличие важных рекомендаций в инструкции по эксплуатации.

CLASS 1 LASER PRODUCT

Данный продукт классифицируется как ЛАЗЕРНОЕ УСТРОЙСТВО КЛАССА 1. Соответствующая этикетка находится на задней панели устройства и означает, что устройство использует лазерные лучи. Никакой опасности лазерного облучения быть не может, если прибор не вскрывался. ОБСЛУЖИВАНИЕ УСТРОЙСТВА ДОЛЖНО ВЫПОЛНЯТЬСЯ ТОЛЬКО КВАЛИФИЦИРОВАННЫМИ СПЕЦИАЛИСТАМИ СЕРВИСНОГО ЦЕНТРА.

МЕРЫ ПРЕДОСТОРОЖНОСТИ

- Проверьте, соответствует ли напряжение в электрической сети рабочему напряжению устройства.
- Во избежание возникновения пожара или поражения электрическим током не

пользуйтесь настоящим устройством в помещениях с повышенной влажностью, а также рядом с кухонными раковинами или ваннами, наполненными водой, рядом с плавательным бассейном, в сырых подвалах и т.д. Не допускайте попадания на устройство капель или брызг воды. Запрещается погружать устройство в воду.

- Не допускайте перегрузки электрических розеток или удлинителей, так как это может привести к пожару или поражению электрическим током.
- Установите настоящее устройство таким образом, чтобы в случае неисправности вилку сетевого шнура можно было немедленно вынуть из розетки.
- Размещайте устройство на ровной поверхности в местах с достаточной вентиляцией. Не закрывайте вентиляционные отверстия на корпусе устройства.
- Не размещайте устройство вблизи источников тепла, например, радиаторов, электрообогревателей, духовок или других устройств, являющихся источниками тепла (в том числе и усилителей), а также в местах, подверженных воздействию прямых солнечных лучей, чрезмерному запылению или механическим ударам.
- Для дополнительной защиты устройства во время грозы, а также в тех случаях, когда вы не собираетесь использовать его в течение длительного времени, вилку сетевого шнура следует вынуть из розетки. Это исключит выход устройства из строя из-за ударов молнии или скачков напряжения в электросети.
- Для отсоединения сетевого шнура беритесь непосредственно за сетевую вилку, ни в коем случае не тяните за сетевой шнур.
- Будьте особенно внимательны, если рядом с включенным устройством находятся дети или лица с ограниченными возможностями, не оставляйте их без присмотра.
- Настоящее устройство не предназначено для использования детьми и людьми с ограниченными возможностями. Исключения составляют случаи, когда лицом, отвечающим за их безопасность, даны соответствующие и понятные им инструкции о безопасном использовании устройства и тех опасностях, которые могут возникать при его неправильном использовании.
- Не устанавливайте чрезмерную громкость при прослушивании магнитолы, чтобы не нарушать покой людей вокруг вас.

- Во избежание ухудшения слуха при прослушивании магнитолы через наушники не устанавливайте повышенную громкость звука, эксперты не советуют прослушивать магнитолу длительное время на повышенной громкости; если вы слышите звон в ушах, уменьшите громкость или прекратите прослушивание.
- Запрещается размещать на корпусе устройства источники открытого пламени, например, свечи.
- Во избежание поражения электрическим током, нанесения травм и порче домашнего имущества не роняйте и не вставляйте посторонние предметы в любые отверстия корпуса устройства.
- Во избежание поражения электрическим током никогда не разбирайте устройство самостоятельно; при обнаружении неисправности обращайтесь только в авторизованный (уполномоченный) сервисный центр.

Повреждения, требующие ремонта

В описанных ниже ситуациях необходимо выключить устройство, вынуть вилку сетевого шнура из розетки и обратиться в авторизованный (уполномоченный) сервисный центр для ремонта устройства:

- повреждена вилка сетевого шнура или поврежден сам сетевой шнур;
- попадание в корпус устройства посторонних предметов;
- устройство попало под дождь или на него разлили воду.
- устройство работает с перебоями;
- произошло падение устройства или его повреждение каким-либо другим образом.

Уход за устройством

Перед чистой выключите устройство и выньте вилку сетевого шнура из розетки. Для чистки корпуса устройства используйте мягкую влажную ткань. Запрещается использовать абразивные моющие средства и растворители.

Уход за дисками

- Не используйте треснувшие или деформированные диски, это может вызвать поломку устройства.
- Берите диск только за края. Не прикасайтесь к рабочей поверхности диска. Пыль, царапины или отпечатки пальцев на рабочей поверхности диска могут привести к выходу его из строя.

- Не подвергайте диски воздействию прямых солнечных лучей, источников тепла, высокой температуры и влажности.

- После использования уберите диск в футляр на хранение. Периодически протирайте рабочую поверхность диска мягкой тканью по направлению от центра к краям.

Перед началом работы

Извлеките магнитолу из упаковки. Откройте крышку (7) и извлеките защитный вкладыш, закройте крышку (7) перед началом использования.

Удалите все рекламные этикетки/наклейки с верхней и передней части магнитолы, которые мешают работе устройства.

ОПИСАНИЕ

1. Гнездо для подключения наушников (3,5 мм).
2. Переключатель режимов работы устройства **FUNCTION** (CD / OFF / RADIO)
3. Ручка регулировки уровня громкости **VOLUME**
4. Кнопка **PROG +10**
5. Кнопка остановки воспроизведения **STOP** ■
6. ЖК-дисплей
7. Крышка отсека компакт дисков
8. Телескопическая FM-антенна
9. Индикатор стереосигнала FM ST
10. Шкала настройки радио
11. Кнопка воспроизведения/приостановки
▶ || воспроизведения PLAY/PAUSE/
12. Кнопка повторного воспроизведения **REP**
13. Ручка настройки радиостанций **TUNING**
14. Переключатель диапазонов **BAND** (AM / FM / FM ST)
15. Кнопки перехода к предыдущему/следующему треку ◀▶/▶▶
16. Динамики
17. Гнездо для подключения сетевого шнура
18. Крышка батарейного отсека

ПОДКЛЮЧЕНИЕ ПИТАНИЯ

Питание от сети

Перед подключением устройства к электрической сети убедитесь, что напряжение в сети соответствует рабочему напряжению устройства.

- Для подключения устройства к электрической сети вставьте разъем сетевого шнура в гнездо (17), а сетевую вилку - в розетку.

- Установите переключатель (2) **FUNCTION** в положение CD или RADIO.

- Для выключения устройства установите переключатель (2) **FUNCTION** в положение OFF.

РУССКИЙ

Питание от батареек

- Отключите магнитолау от сети.
- Откройте крышку батарейного отсека (18).
- Строго соблюдая полярность, указанную внутри батарейного отсека, установите 8 батареек типоразмера «С», «LR14», «UM 2» (1,5 В) (батарейки не входят в комплект поставки).
- Закройте крышку батарейного отсека.

Внимание!

- Не используйте одновременно батарейки различных типов, например, щелочные и марганцево-цинковые. Для питания устройства следует использовать батарейки только одного типа.
- При замене батареек не используйте одновременно старые и новые батарейки.
- При нестабильной работе устройства проверьте батарейки и при необходимости замените их.
- Вынимайте батарейки, если устройство не будет использоваться в течение длительного времени.
- Неправильное использование батареек может привести к утечке электролита и повреждению устройства.

Примечание: Когда устройство находится в режиме ожидания, оно все еще потребляет электроэнергию, чтобы полностью отключить устройство, извлеките вилку сетевого шнура из розетки.

Подключение наушников

Для прослушивания магнитолы через наушники (в комплект поставки не входят) подключите их к гнезду (1) **PHONES**. Установите желаемый уровень громкости регулятором (3) **VOLUME**. При подключении наушников динамики магнитолы отключатся автоматически.

Внимание! Не воспроизводите через наушники звук повышенной громкости. Во избежание ухудшения слуха при прослушивании магнитолы через наушники не устанавливайте повышенную громкость звука, эксперты не советуют прослушивать магнитолау длительное время на повышенной громкости.

ОСНОВНЫЕ ФУНКЦИИ

Регулировка уровня громкости

Для установки желаемого уровня громкости используйте ручку регулировки громкости (3) **VOLUME**.

Прием радиостанций

1. Установите переключатель (2) **FUNCTION** в положение **RADIO**.
2. Выберите желаемый диапазон: **AM**, **FM**, **FM ST**, установив переключатель диапазонов (14) **BAND** в соответствующее положение.
3. Вращая ручку настройки радиостанций (13) **TUNING**, выберите желаемую радиостанцию.
4. По окончании прослушивания установите переключатель (2) **FUNCTION** в положение **OFF**.

Примечания:

- при настройке на станцию, передающую стереосигнал, загорается индикатор (9) **FM ST**, находящийся на шкале настройки радио (10).
- в условиях плохого приема могут наблюдаться помехи (при этом индикатор (9) будет мигать), в этом случае установите переключатель (14) **BAND** в положение **FM**, при этом звук будет воспроизводиться в монофоническом режиме, но уровень помех значительно снизится.

Антенна

- Для наилучшего приема в диапазоне **FM** вытяните полностью антенну (8) и ориентируйте ее под нужным углом.
- Для наилучшего приема в диапазоне **AM** попробуйте различные варианты ориентации устройства в горизонтальной плоскости.

Воспроизведение CD дисков

Установка диска – Откройте крышку (7) отсека для дисков. Установите **CD** диск этикеткой вверх и закройте крышку (7) отсека для дисков.

Извлечение диска – После остановки воспроизведения откройте крышку (7), при этом на дисплее (6) отобразится символ «**OP**» и извлеките диск. Уберите диск в футляр. Всегда закрывайте крышку (7) отсека для дисков, чтобы предотвратить попадание в него пыли. Всегда извлекайте диск из отсека, если он не воспроизводится.

1. Подключите устройство к электросети.
2. Выберите режим воспроизведения **CD** дисков. Для этого установите переключатель (2) **FUNCTION** в положение **CD**, при этом загорится подсветка дисплея (6).
3. Откройте крышку (7), установите диск этикеткой вверх и закройте крышку (7).

4. После считывания информации с диска на дисплее (6) отобразится общее число треков и начнется воспроизведение первого трека диска.

Примечание:

- настоящее устройство может воспроизводить CD-R и CD-RW диски
- при отсутствии диска или в случае установки поврежденного диска на дисплее (6) отобразятся символы «по».

Воспроизведение

- В режиме остановки воспроизведения нажмите кнопку (11), начнется воспроизведение диска, и на дисплее (6) отобразится номер воспроизводимого трека и символ ►||.

Пауза

- Для приостановки воспроизведения нажмите кнопку (11), при этом на дисплее (6) символ ►|| и номер трека будут мигать.
- Для возобновления воспроизведения нажмите повторно кнопку (11).

Остановка воспроизведения

- Для остановки воспроизведения нажмите кнопку (5) ■, при этом на дисплее (6) отобразится общее число треков диска.

Переход к началу предыдущего или к следующему треку.

- Во время воспроизведения или в режиме паузы для перехода к предыдущему или следующему треку нажимайте кнопки (15)◀/▶.

Переход к воспроизведению определенного фрагмента трека

- В режиме воспроизведения нажмите и удерживайте кнопки (15) ◀/▶ для ускоренного перехода к воспроизведению определенного фрагмента трека.

Примечание:

- в режиме ускоренного перехода к фрагменту трека при одной из нажатых кнопок (15)◀/▶ звук не воспроизводится.

Повтор воспроизведения трека или диска

- Для повтора одного трека нажмите один раз кнопку (12) **REP**, на дисплее отобразится символ «REP».
- Для повтора всех треков диска нажмите два раза кнопку (12) **REP**, на дисплее (6) отобразится символ «REP ALL».

Воспроизведение записанных треков в произвольном порядке

- Для воспроизведения всех треков диска в произвольном порядке нажмите три раза кнопку (12) **REP**, на дисплее (6) отобразится символ «RAND».

Примечание:

- включение режимов повтора может производиться из режимов воспроизведения, паузы или стоп.
- для отмены режимов повтора нажмите несколько раз кнопку (12) **REP** до исчезновения символов «REP», «REP ALL» или «RAND».

Программирование последовательности воспроизведения треков

Вы можете запрограммировать последовательность воспроизведения треков, максимум 20 треков.

1. В режиме остановки воспроизведения (STOP), нажмите один раз кнопку (4) **PROG+10**, на дисплее (6) отобразится мигающий символ программирования «PROG» и номер ячейки памяти «P01»
2. Нажатием кнопок (15) ◀/▶ выберите желаемый трек.
3. Для сохранения в памяти выбранного трека нажмите кнопку **PROG+10**, при этом на дисплее (6) отобразится следующая ячейка памяти «P02», в которую можно записать следующий трек (см. пункт 2).
4. Всего можно запрограммировать 20 треков, при превышении количества ячеек памяти на дисплее появится символ «FUL».
5. Для воспроизведения треков в запрограммированной последовательности нажмите кнопку (11).
6. Для отмены запрограммированной последовательности воспроизведения треков нажмите кнопку (5) ■, откройте крышку (7) отсека для дисков или же установите переключатель (2) **FUNCTION** в другое положение.

Воспроизведение MP3 файлов

Качественное звучание без помех и сбоев гарантируется только при воспроизведении лицензионных дисков, но в зависимости от программного обеспечения, используемого производителем диска, или от скорости прожига, также могут возникать проблемы при чтении диска устройством.

РУССКИЙ

Воспроизведение файлов

1. Подключите устройство к электросети.
2. Выберите режим воспроизведения CD дисков. Для этого установите переключатель (2) **FUNCTION** в положение CD, при этом загорится подсветка дисплея (6).
3. После считывания информации на дисплее (6) отобразится общее число папок «F», общее количество треков, начнется воспроизведение первого трека из первой папки диска. На дисплее (6) будут отображаться символы воспроизведения ► ||, номер трека будет чередоваться с номером папки, в верхней части дисплея будет отображаться формат музыкального трека «MP3» или «WMA».
4. В случае попытки установить поврежденный диск.

Воспроизведение

- В режиме остановки воспроизведения нажмите кнопку (11), начнется воспроизведение на дисплее (6) будет отображаться символ воспроизведения ► ||, номер трека будет чередоваться с номером папки, в верхней части дисплея будет указан формат музыкального трека: «MP3» или «WMA».
- В режиме воспроизведения для перехода на 10 треков вперед нажимайте кнопку (4) **PROG +10**.

Пауза

- Для приостановки воспроизведения нажмите кнопку (11), при этом на дисплее (6) символ ► || и номер трека будут мигать.
- Для возобновления воспроизведения нажмите повторно кнопку (11).

Остановка воспроизведения

- Для остановки воспроизведения нажмите кнопку (5) ■, при этом на дисплее (6) отобразится общее число треков диска.

Переход к началу предыдущего или к следующему треку.

- Во время воспроизведения или в режиме паузы для перехода к предыдущему или следующему треку нажимайте кнопки (15) ◀/▶.

Переход к воспроизведению определенного фрагмента трека

- В режиме воспроизведения нажмите и удерживайте кнопки (15) ◀/▶ для ускоренного перехода к воспроизведению определенного фрагмента трека.

Примечание:

- в режиме ускоренного перехода к фрагменту трека, при нажатии одной из кнопок (15) ◀/▶ звук не воспроизводится.
- при длительном нажатии и удержании кнопки (15) ◀/▶ воспроизведение начнется с начала трека, в котором выбиралось определенное место воспроизведения фрагмента трека.

Повтор воспроизведения трека

- Для повтора одного трека нажмите один раз кнопку (12) **REP**, на дисплее отобразится символ «REP».

Повтор воспроизведения альбома (ALBUM)

- Для повтора всех треков альбома (одной из папок «F») нажмите два раза кнопку (12) **REP**, на дисплее (6) отобразится символ «ALBUM».

Повтор воспроизведения всех треков диска

- Для повтора всех треков диска нажмите три раза кнопку (12) **REP**, на дисплее (6) отобразится символ «REP ALL».

Воспроизведение записанных треков в произвольном порядке

- Для воспроизведения всех треков диска в произвольном порядке нажмите четыре раза кнопку (12) **REP**, на дисплее (6) отобразится символ «RAND».

Примечание:

- включение режимов повтора может производиться из режимов воспроизведения, паузы или стоп.
- для отмены режимов повтора нажмите несколько раз кнопку (12) **REP**, до исчезновения символов «REP», «REP ALL» или «RAND».

Программирование последовательности воспроизведения треков

Вы можете запрограммировать последовательность воспроизведения треков, максимум 99 треков.

1. В режиме остановки воспроизведения (STOP), нажмите один раз кнопку (4) **PROG+10**, на дисплее (6) отобразится мигающий символ программирования «PROG» и номер ячейки памяти «P01»
2. Нажатием кнопок (15) ◀/▶ выберите желаемый трек.

3. Для сохранения в памяти выбранного трека нажмите кнопку **PROG+10**, при этом на дисплее (6) отобразится следующая ячейка памяти «P02», в которую можно записать следующий трек (см. пункт 2).
4. Всего можно запрограммировать 99 треков, при превышении количества ячеек памяти на дисплее появится символ «FUL».
5. Для воспроизведения треков в запрограммированной последовательности нажмите кнопку (11).
6. Для отмены запрограммированной последовательности воспроизведения треков на-

жмите кнопку (5) ■, откройте крышку (7) отсека для дисков или же установите переключатель (2) **FUNCTION** в другое положение.

ПОИСК И УСТРАНЕНИЕ НЕИСПРАВНОСТЕЙ

Причины неисправностей или некачественного воспроизведения часто случаются из-за неправильного использования устройства. Если вы считаете, что с устройством что-то не так, проверьте возможные причины неисправностей по данной таблице.

Если вам не удалось устранить неисправность, обратитесь в ближайший авторизованный (уполномоченный) сервисный центр.

Неисправность	Возможная причина	Устранение
Радио		
Шум при прослушивании радиостанций в диапазоне FM или AM	Станция не настроена	Настройте станцию
	FM диапазон: антенна не выдвинута AM диапазон: устройство не ориентировано на передающую станцию	Выдвиньте антенну Попробуйте повернуть корпус магнитолы вокруг собственной оси
Магнитола не воспроизводит радиостанции в диапазоне FM или AM	Переключатель FUNCTION не установлен в положение RADIO	Установите переключатель FUNCTION в положение RADIO
	Регулятором громкости установлен минимальный уровень громкости	Увеличьте уровень громкости
Диск		
Диск не воспроизводится	Диск отсутствует или установлен неправильно	Установите переключатель FUNCTION в положение CD
	Диск отсутствует или установлен неправильно	Проверьте правильность установки диска, он должен быть установлен этикеткой вверх
Отдельные треки не воспроизводятся	Диск с царапинами или загрязнен	Протрите диск мягкой тканью, не используйте поврежденные диски
Диск установлен, но треки не воспроизводятся	Диск установлен неправильно	Проверьте правильность установки диска, он должен быть установлен этикеткой вверх
	Диск с царапинами или загрязнен	Протрите диск мягкой тканью, не используйте поврежденные диски
	Несоответствующий формат диска	Используйте диски надлежащего формата

РУССКИЙ

Технические характеристики

Электропитание	АС 220-240 В, ~50 Гц / 8 x 1,5В батареек UM-2 (R-14 или С)
Выходная мощность	2 x 1,2 Вт
Диапазон частот	АМ: 522 - 1620 кГц FM: 64 - 108 МГц
Загрузка диска	Верхняя

Производитель сохраняет за собой право изменять дизайн и технические характеристики прибора без предварительного уведомления.

Срок службы прибора - 3 года.



Данное изделие соответствует всем требуемым европейским и российским стандартам безопасности и гигиены.



Изготовитель: ТУШКОМ ТРЕЙДИНГ ЛИМИТЕД РЕСПУБЛИКА КИПР
Адрес: Кипр, Тисеос, 4, Энгоми, а/я 2413, Никосия.
Сделано в Китае

Магнітола з відтворенням MP3/CD

ІНСТРУКЦІЯ З ЕКСПЛУАТАЦІЇ

Перед підключенням, використанням та налаштуванням пристрою уважно прочитайте інструкцію. Необхідно дотримуватися всіх попереджень і рекомендацій з експлуатації пристрою, наведених в цій інструкції.

Збережіть посібник, використовуйте його в подальшому в якості довідкового матеріалу.

	Увага Небезпека поразки електричним струмом Не відкривати	
<p>Попередження: Щоб запобігти виникненню пожежі або ураженню електричним струмом, не допускайте на пристрій впливу дощу чи вологи. Щоб уникнути удару електричним струмом, не відкривайте корпус пристрою самостійно. Сервісне обслуговування має виконуватися лише кваліфікованими спеціалістами сервісних центрів.</p>		

Небезпечна напруга

Значок блискавки в рівносторонньому трикутнику вказує користувачеві на наявність небезпечної напруги усередині корпусу пристрою, що може призвести до ураження електричним струмом.



Увага

Значок оклику в рівносторонньому трикутнику вказує користувачеві про наявність важливих рекомендацій в інструкції з експлуатації.



CLASS 1 LASER PRODUCT

Цей продукт класифікується як ЛАЗЕРНИЙ ПРИСТРІЙ КЛАСУ 1. Відповідна етикетка знаходиться на задній панелі приладу та означає, що пристрій використовує лазерні промені. Можливість лазерного опромінення відсутня, якщо прилад не розкривається. ОБСЛУГОВУВАННЯ ПРИСТРОЮ ПОВИННО ПРОВОДИТИСЯ ТІЛЬКИ КВАЛІФІКОВАНИМИ СПЕЦІАЛІСТАМИ СЕРВІСНОГО ЦЕНТРУ.

ЗАХОДИ БЕЗПЕКИ

- Перевірте, чи відповідає напруга в електричній мережі робочій напрузі пристрою.

- Щоб уникнути виникнення пожежі або ураження електричним струмом, не використовуйте цей пристрій в приміщеннях з підвищеною вологістю, а так само поруч з кухонними раковинами або ваннами, наповненими водою, поруч з плавальним басейном, у сирих підвалах тощо. Не допускайте попадання на пристрій крапель або бризок води. Забороняється занурювати пристрій у воду.
- Не допускайте перевантаження розеток або подовжувачів, так як це може призвести до пожежі або ураження електричним струмом.
- Встановіть цей пристрій таким чином, щоб у разі несправності мережеву вилку можна було негайно вийняти з розетки.
- Розміщуйте пристрій на рівній поверхні в місцях з достатньою вентиляцією. Не закривайте вентиляційні отвори на корпусі пристрою.
- Не розміщуйте пристрій поблизу джерел тепла, наприклад, радіаторів, електрообігрівачів, духовок або інших пристроїв, що є джерелами тепла (у тому числі і підсилювачів), а також у місцях, що піддаються впливу прямих сонячних променів, надмірного запилення або механічних ударів.
- Для додаткового захисту пристрою під час грози, а також у тих випадках, коли ви не збираєтесь використовувати його протягом тривалого часу, вийміть мережеву вилку з розетки. Це виключить вихід пристрою з ладу через удари блискавки або стрибків напруги в електромережі.
- Для від'єднання мережевого шнура беріться безпосередньо за мережеву вилку, в жодному разі не тягніть за шнур.
- Будьте особливо уважні, якщо поруч із увімкненим пристроєм знаходяться діти або особи з обмеженими можливостями, не залишайте їх без нагляду.
- Цей пристрій не призначений для використання дітьми та людьми з обмеженими можливостями, якщо тільки особою, яка відповідає за їхню безпеку, їм не дано відповідні та зрозумілі інструкції щодо безпечного користування пристроєм і її безпеки, яка може виникнути при його неправильному використанні.
- Не встановлюйте надмірну гучність при прослуховуванні магнітоли, щоб не порушувати спокій людей навколо вас.
- Щоб уникнути погіршення слуху при прослуховуванні магнітоли через навушники не встановлюйте підвищену гучність звуку, експерти не радять прослуховувати магні-

УКРАЇНСЬКИЙ

толу тривалий час на підвищеній гучності, якщо ви чуєте дзвін у вухах, зменшить звук або припинить використання.

- Забороняється розміщувати на корпусі пристрою джерела відкритого полум'я, наприклад, свічки.
- Щоб уникнути ураження електричним струмом, нанесення травм і псування домашнього майна, не кидайте і не вставляйте сторонні предмети в будь-які отвори корпусу пристрою.
- Щоб уникнути ураження електричним струмом, ніколи не розбирайте пристрій самостійно, при виявленні несправності звертайтеся до сервісного центру.

Пошкодження, що потребують ремонту

В описаних нижче ситуаціях необхідно вимкнути пристрій, вийняти мережеву вилку з розетки і звернутися в авторизований сервісний центр для ремонту пристрою:

- Пошкоджена вилка мережевого шнура і сам мережевий шнур;
- Попадання в корпус пристрою сторонніх предметів;
- Пристрій потрапив під дощ або на нього розлили воду.
- Пристрій працює з перебоями;
- Падіння пристрою або його пошкодження яким-небудь іншим чином.

Догляд за пристроєм

Перед чищенням вимкніть пристрій та вийміть мережеву вилку з розетки. Для чищення корпусу пристрою користуйтеся вологою ганчіркою. Забороняється використовувати абразивні миючі засоби та розчинники.

Догляд за дисками

-Не використовуйте тріснуті або деформовані диски, це може викликати поломку пристрою.

-Беріть диск тільки за краї. Не торкайтесь до робочої поверхні диска. Пил, подряпини або відбитки пальців на робочій поверхні диска можуть привести до виходу його з ладу.

-Не піддавайте диски впливу прямих сонячних променів, джерел тепла, високої температури і вологості.

-Після використання приберіть диск у футляр на зберігання. Періодично протирайте робочу поверхню диска м'якою тканиною по напрямку від центру до країв.

Перед початком роботи

Вийміть магнітолу з упаковки. Відкрийте кришку (7) і витягніть захисний вкладиш, закрийте кришку (7) перед початком використання.

Видаліть всі рекламні етикетки / наклейки з верхньої і передньої частини магнітоли, які заважають роботі пристрою.

ОПИС

1. Гніздо для підключення навушників (3,5 мм).
2. Перемикач режимів роботи пристрою **FUNCTION** (CD / OFF / RADIO)
3. Ручка регулювання рівня гучності **VOLUME**
4. Кнопка **PROG +10**
5. Кнопка зупинки відтворення **STOP** ■
6. РК-дисплей
7. Кришка відсіку компакт дисків
8. Телескопічна FM-антена
9. Індикатор стерео FM ST
10. Шкала влаштування радіо
11. Кнопка відтворення / призупинення ► || відтворення PLAY / PAUSE
12. Кнопка повторного відтворення **REP**
13. Ручка влаштування радіостанцій **TUNING**
14. Перемикач діапазонів **BAND** (AM / FM / FM ST)
15. Кнопки переходу до попереднього / наступного трека ◀▶
16. Динаміки
17. Гніздо для підключення мережевого шнура
18. Кришка батарейного відсіку

ПІДКЛЮЧЕННЯ ЖИВЛЕННЯ

Живлення від мережі

Перед підключенням пристрою до мережі переконайтеся, що напруга в електричній мережі відповідає робочій напрузі пристрою.

- Для підключення пристрою до мережі вставте роз'єм мережевого шнура в гніздо (17) а мережеву вилку в розетку.

- Встановіть перемикач (2) FUNCTION у положення CD або RADIO.

- Для вимикання пристрою встановіть перемикач (2) FUNCTION у положення OFF.

Живлення від батарейок

- Відключіть магнітолу від мережі.

- Відкрийте кришку батарейного відсіку (18).

- Суворо дотримуючись полярності, зазначеної всередині батарейного відсіку, встановіть

8 батарейок типорозміру «С», «LR14», «UM 2» (1,5 В) (не входять в комплект постачання).

- Закрийте кришку батарейного відсіку.

Увага!

- Не використовуйте батареї різних типів, наприклад лужні і марганцево-цинкові. Для живлення пристрою слід використовувати батареї тільки одного типу.

- При заміні батарей не використовуйте разом старі і нові батареї.

- При нестабільній роботі пристрою перевірте батареї і при необхідності замініть їх.

- Виймайте батареї, якщо пристрій не буде використовуватись протягом тривалого часу.

- Неправильне використання батарейок може призвести до витoku електроліту і пошкодження пристрою.

Примітка: Коли пристрій перебуває в режимі очікування, він все ще споживає електроенергію, щоб повністю відключити пристрій, відключіть кабель живлення з розетки.

Підключення навушників

Для прослуховування магнітоли через навушники (у комплект постачання не входять) підключіть їх до гнізда (1) PHONES. Встановіть бажаний рівень гучності регулятором (3) VOLUME. При підключенні навушників динаміки магнітоли відключаться автоматично.

Увага! Не програвайте через навушники звук підвищеної гучності. Щоб уникнути погіршення слуху при прослуховуванні магнітоли через навушники не встановлюйте підвищену гучність звуку, експерти не радять прослуховувати магнітолу тривалий час на підвищеній гучності.

ОСНОВНІ ФУНКЦІЇ

Регулювання рівня гучності

Для встановлення бажаного рівня гучності використовуйте ручку регулювання гучності (3) VOLUME.

Приєм радіостанцій

1. Встановіть перемикач (2) FUNCTION в положення RADIO.
2. Виберіть бажаний діапазон: AM, FM, FM ST, встановивши перемикач діапазонів (14) BAND у відповідне положення.
3. Обертаючи ручку владштування радіостан-

цій (13) TUNING, виберіть бажану радіостанцію.

4. Після закінчення прослуховування встановіть перемикач (2) FUNCTION у положення OFF.

Примітки:

- при владштуванні на станцію, що передає стереосигнал, загоряється індикатор (9) FM ST, що знаходиться на шкалі настройки радіо (10).

- в умовах поганого прийому можуть спостерігатися перешкоди (при цьому індикатор (9) буде блимати), в цьому випадку встановіть перемикач (14) BAND в положення FM, при цьому звук буде відтворюватися в монофонічному режимі, але рівень перешкод значно знизиться.

Антенa

- Для найкращого прийому в діапазоні FM витягніть повністю антену (8) і зорієнтуйте її під потрібним кутом.

- Для найкращого прийому в діапазоні AM спробуйте різні варіанти орієнтації пристрою в горизонтальній площині.

Відтворення CD дисків

Установка диска - Відкрийте кришку (7) відсіку для дисків. Встановіть CD диск етикеткою вгору і закрийте кришку (7) відсіку для дисків.

Витяг диска - Після зупинки відтворення відкрийте кришку (7), при цьому на дисплеї (6) відобразиться символ «OP» і вийміть диск. Сховайте диск у футляр.

Завжди закривайте кришку (7) відсіку для дисків для запобігання попадання в нього пилу. Завжди виймайте диск з відсіку, якщо він не відтворюється.

1. Підключіть пристрій до електромережі.
2. Виберіть режим CD. Для цього встановіть перемикач (2) FUNCTION у положення CD, при цьому загориться підсвічування дисплея (6).
3. Відкрийте кришку (7), встановіть диск етикеткою вгору і закрийте кришку (7).
4. Після зчитування інформації з диска на дисплеї (6) відобразиться загальна кількість треків і почнеться відтворення першого треку диска.

Примітка:

- Даний пристрій може відтворювати CD-R і CD-RW диски

- При відсутності диску або у випадку вста-

УКРАЇНСЬКИЙ

новлення пошкодженого диска на дисплеї (6) відобразяться символи «по».

Відтворення

- У режимі зупинки відтворення натисніть кнопку (11), розпочнеться відтворення диска і на дисплеї (6) відобразиться номер відтвореного треку і символ ► ||.

Пауза

- Щоб призупинити відтворення, натисніть кнопку (11), при цьому на дисплеї (6) символ ► || і номер треку будуть мигати.
- Для відновлення відтворення натисніть ще раз кнопку (11).

Зупинка відтворення

- Для зупинки відтворення натисніть кнопку (5) ■ при цьому на дисплеї (6) відобразиться загальна кількість треків диска.

Перехід до початку попереднього або до наступного треку.

- Під час відтворення або в режимі паузи, для переходу до попереднього або наступного треку натискайте кнопки (15) ◀/▶.

Перехід до відтворення певного фрагмента треку

- У режимі відтворення натисніть і утримуйте кнопки (15) ■ для прискореного переходу до відтворення певного фрагмента треку.

Примітка:

- В режимі прискореного переходу до фрагмента треку, при одній з натиснутих кнопок (15) ◀/▶ звук не відтворюється.

Повтор відтворення треку або диска

- Для повторення одного треку натисніть один раз кнопку (12) REP, на дисплеї з'явиться символ «REP».

- Для повторення всіх треків диску натисніть два рази кнопку (12) REP, на дисплеї (6) відобразиться символ «REP ALL».

Відтворення записаних треків у довільному порядку

- Для відтворення всіх треків диску у випадковому порядку натисніть три рази кнопку (12) REP, на дисплеї (6) відобразиться символ «RAND».

Примітка:

- Включення режимів повтору може проводитися з режимів відтворення, паузи або стоп.

- Для скасування режимів повтору, натискайте на кнопку (12) REP, до зникнення символів «REP», «REP ALL» або «RAND».

Програмування порядку відтворення треків

Ви можете запрограмувати порядок відтворення треків, максимум 20 треків.

1. У режимі зупинки відтворення (STOP), натисніть один раз кнопку (4) PROG +10, на дисплеї (6) відобразиться миготливий символ програмування «PROG» і номер комірки пам'яті «P01»
2. Натисканням кнопок (15) ◀/▶ виберіть бажаний трек.
3. Для збереження в пам'яті обраного треку натисніть кнопку PROG +10, при цьому на дисплеї (6) відобразиться наступна комірка пам'яті «P02», в яку можна записати наступний трек (див. пункт 2).
4. Всього можна запрограмувати 20 треків, при перевищенні кількості елементів пам'яті на дисплеї з'явиться символ «FUL».
5. Для відтворення треків у запрограмованому порядку натисніть кнопку (11).
6. Для скасування запрограмованого порядку відтворення треків натисніть кнопку (5) ■, відкрийте кришку (7) відсіку для дисків або ж встановіть перемикач (2) FUNCTION в інше положення.

Відтворення MP3 файлів з диска

Якісне звучання, без перешкод і збоїв гарантується тільки при відтворенні ліцензійних дисків, але в залежності від програмного забезпечення у виробника диска або швидкості запису, так само можуть виникати проблеми при читанні диска пристроєм.

Відтворення файлів

1. Підключіть пристрій до електромережі.
2. Виберіть режим CD. Для цього встановіть перемикач (2) FUNCTION у положення CD, при цьому загориться підсвічування дисплея (6).
3. Після зчитування інформації з на дисплеї (6) відобразиться загальна кількість папок «F», загальна кількість треків, почнеться відтворення першого треку з першої папки диска. На дисплеї (6) будуть відобра-

жати символи відтворення ►||, номер треку буде чергуватися з номером папки, у верхній частині дисплея буде відображатися формат музичного треку «MP3» або «WMA».

- У випадку встановлення пошкодженого диска на дисплеї (6) відобразиться символ «PO».

Відтворення

- У режимі зупинки відтворення натисніть кнопку (11), розпочнеться відтворення на дисплеї (6) буде відображатися символ відтворення ►||, номер треку буде чергуватися з номером папки, у верхній частині дисплея буде вказано формат музичного треку «MP3» або «WMA».

- У режимі відтворення для переходу на 10 треків вперед натискайте кнопку (4) **PROG +10**.

Пауза

- Щоб призупинити відтворення, натисніть кнопку (11), при цьому на дисплеї (6) символ ►|| і номер треку будуть мигати.

- Для відновлення відтворення натисніть ще раз кнопку (11).

Зупинка відтворення

- Для зупинки відтворення натисніть кнопку (5)■, при цьому на дисплеї (6) відобразиться загальна кількість треків диска.

Перехід до початку попереднього або до наступного треку.

- Під час відтворення або в режимі паузи, для переходу до попереднього або наступного треку натискайте кнопки (15) ◀/▶.

Перехід до відтворення певного фрагмента треку

- У режимі відтворення натисніть і утримуйте кнопки (15) ◀/▶ для прискореного переходу до відтворення певного фрагмента треку.

Примітка:

- В режимі прискореного переходу до фрагмента треку, при одній з натиснутих кнопок (15) звук не відтворюється.

- при тривалому натисканні та утриманні кнопки (15) ◀/▶ відтворення розпочнеться з початку треку, в якому вибиралося певне місце відтворення фрагмента треку.

Повтор відтворення треку

- Для повторення одного треку натисніть один раз кнопку (12) **REP**, на дисплеї з'явиться символ «REP».

Повтор відтворення альбому (ALBUM)

Для повторення всіх треків альбому (однієї з папок «F») двічі натисніть кнопку (12) **REP**, на дисплеї (6) відобразиться символ «ALBUM».

Повтор відтворення всіх треків диска

- Для повторення всіх треків диска натисніть три рази кнопку (12) **REP**, на дисплеї (6) відобразиться символ «REP ALL».

Відтворення записаних треків у довільному порядку

- Для відтворення всіх треків диску у випадковому порядку натисніть чотири рази кнопку (12) **REP**, на дисплеї (6) відобразиться символ «RAND».

Примітка:

- Включення режимів повтору може проводитися з режимів відтворення, паузи або стоп.

- Для скасування режимів повтору, натискайте на кнопку (12) **REP**, до зникнення символів «REP», «REP ALL» або «RAND».

Програмування порядку відтворення треків

Ви можете запрограмувати порядок відтворення треків, максимум 99 треків.

- У режимі зупинки відтворення (STOP), натисніть один раз кнопку (4) **PROG +10**, на дисплеї (6) відобразиться миготливий символ програмування «PROG» і номер комірki пам'яті «P01»
- Натисканням кнопок (15) ◀/▶ виберіть бажаний трек.
- Для збереження в пам'яті обраного треку натисніть кнопку **PROG +10**, при цьому на дисплеї (6) відобразиться наступна комірka пам'яті «P02», в яку можна записати наступний трек (див. пункт 2).
- Всього можна запрограмувати 99 треків, при перевищенні кількості елементів пам'яті на дисплеї з'явиться символ «FUL».
- Для відтворення треків у запрограмованому порядку натисніть кнопку (11).
- Для скасування запрограмованого порядку відтворення треків натисніть кнопку (5) ■, відкрийте кришку (7) відсіку для

УКРАЇНСЬКИЙ

дисків або ж встановіть перемикач (2) **FUNCTION** в інше положення.

ПОШУК І УСУНЕННЯ НЕСПРАВНОСТЕЙ

Причини несправностей або неякісного відтворення часто трапляються через неправильне використання пристрою. Якщо ви вважаєте, що з пристроєм щось не так, перевірте можливі причини несправностей за даною таблицею.

Якщо вам не вдалося усунути несправність, зверніться до найближчого авторизованого сервісного центру.

Якщо вам не вдалося усунути несправність, зверніться до найближчого авторизованого сервісного центру.

Несправність	Можлива причина	Допомога
Радіо		
Шум при прослуховуванні радіостанцій у діапазоні FM або AM	Станція не налаштована	Налаштуйте станцію
	FM діапазон: антена не висунута	Витягніть антену
	AM діапазон: пристрій не орієнтований на передавальну станцію	Спробуйте повернути корпус магнітоли навколо власної осі
Магнітола не відтворює радіостанції в діапазоні FM або AM	Перемикач FUNCTION не встановлено в положення RADIO	Встановіть перемикач FUNCTION в положення RADIO
	Регулятором гучності встановлено мінімальний рівень гучності	Збільшити гучність
Диск		
Диск не відтворюється	Перемикач FUNCTION не встановлений у положення CD	Встановіть перемикач FUNCTION у положення CD
	Диск відсутній або встановлений неправильно	Перевірте правильність установки диска, він повинен бути встановлений етикеткою догори
Окремі треки не відтворюються	Диск із подряпинами або забруднений	Протріть диск м'якою тканиною, не використовуйте пошкоджені диски
Диск встановлений, але треки не відтворюються	Диск встановлений неправильно	Перевірте правильність установки диска, він повинен бути встановлений етикеткою догори
	Диск із подряпинами або забруднений	Протріть диск м'якою тканиною, не використовуйте пошкоджені диски
	Невідповідний формат диску	Використовуйте диски належного формату

Технічні характеристики

Живлення	АС 220-240 В, ~50 Гц / 8 x 1,5В батарей UM-2 (R-14 или С)
Вихідна потужність	2 x 1,2 Вт
Діапазон частот	АМ: 522 - 1620 кГц FM: 64 - 108 МГц
Завантаження диску	Верхне

виробник залишає за собою право змінювати характеристики приладів без попереднього повідомлення.

Термін служби приладу – 3 роки.

Гарантія

Докладні умови гарантії можна отримати в дилера, що продав дану апаратуру. При пред'явленні будь-якої претензії протягом терміну дії даної гарантії варто пред'явити чек або квитанцію про покупку.

Даний виріб відповідає вимогам до електромагнітної сумісності, що пред'являються директивою 89/336/ЄЕС Ради Європи й розпорядженням 73/23 ЄЕС по низьковольтних апаратурах.

ҚАЗАҚ

MP3/CD

жаңғыртатын МАГНИТОЛА

ПАЙДАЛАНУ БОЙЫНША НҰСҚАУЛЫҚ

Құрылғыны қосу, пайдалану немесе баптау алдында, нұсқаулықты зейін қойып оқып шығыңыз. Осы нұсқауда құрылғыны пайдалану бойынша келтірілген барлық ескертулер мен ұсыныстарды сақтау қажет.

Нұсқауды сақтаңыз, оны келешекте анықтамалық мәліметтер ретінде пайдаланыңыз.

	Назар аударыңыз Электр тоғы соғу қаупі! АШПАҢЫЗ!	
<p>Ескерту: Өрттің пайда болуын немесе электр тоғы соққысын болдырмау үшін құрылғыға жаңбырдың немесе ылғалдың әсерін тигізбеңіз.</p> <p>Электр тоғы соққысын болдырмау үшін құрылғы қорабын өз бетіңізбен ашпаңыз.</p> <p>Қызмет көрсету орталықтарының білікті мамандары ғана сервистік қызмет көрсетуді жүзеге асыруы керек.</p>		



Тең қабырғалы үшбұрыш ішіндегі найзағай белгішесі тұтынушыға құрылғы қорабы ішіндегі электр тоғымен зақымдануға әкеле алатын, қауіпті кернеудің болуын көрсетеді.



Тең қабырғалы үшбұрыш ішіндегі леп белгісі белгішесі тұтынушыға пайдалану бойынша нұсқаулықтағы пайдалану және техникалық қызмет көрсету бойынша маңызды ұсыныстардың болуын көрсетеді.

CLASS 1 LASER PRODUCT

Берілген өнім 1 ТАПТЫҢ ЛАЗЕРЛІК ҚҰРЫЛҒЫСЫ ретінде жіктеледі. Сәйкес жапсырма құрылғының артқы панелінде орналасқан және құрылғы лазерлік сәулелерді пайдаланатынын білдіреді. Егер аспапты ашпаса, лазерлік сәулелену мүмкіндігі болмайды. ҚЫЗМЕТ КӨРСЕТУ ОРТАЛЫҚТАРЫНЫҢ БІЛІКТІ МАМАНДАРЫ ҒАНА АСПАПҚА ҚЫЗМЕТ КӨРСЕТУДІ ЖҮЗЕГЕ АСЫРУЫ КЕРЕК.

ҚАУІПСІЗДІК ШАРАЛАРЫ

- Электр желісіндегі кернеудің құрылғының жұмыс істеу кернеуіне сәйкес келуін тексеріңіз

- Өрттің пайда болуын немесе электр тоғы соққысын болдырмау үшін бұл құрылғыны жоғары ылғалды жерлерде, сонымен қатар жуынатын бөлмелердің, суы бар шылапшындардың, асханалық бақалшақтардың, кіржуатын машиналардың, жүзу хауыздарының қасында, дымқыл жерлерде және т.с.с. орналастырмаңыз. Құрылғыға тамшылардың немесе шашырандылардың тиюін болдырмаңыз. Аспапты суға салуға тыйым салынады.
- Розеткалар мен ұзартқыштарды шамадан тыс жүктемеңіз, себебі бұл өртке немесе электр тоғымен зақымдануға соқтыруы мүмкін.
- Бұзылу жағдайында желілік баудың айыр тетігін розеткадан тез арада ажыратуға мүмкін болатындай етіп бұл құрылғыны орналастырыңыз.
- Құрылғыны жазық бетте желдетісі жақсы жерде орналастырыңыз. Құрылғы корпусындағы желдетіс саңылауларын жаппаңыз.
- Құрылғыны жылу көздерінің, мысалы, радиаторлардың, электр жылытқыштардың, тандырлардың және жылу көзі болып табылатын басқа құрылғылардың (оның ішінде зорайтқыштардың) қасында, сонымен қатар тікелей күн сәулелерінің әсеріне, шамадан тыс шаңдануға немесе механикалық соққыларға ұшырайтын жерлерде орналастырмаңыз.
- Құрылғыны найзағай уақытында, сонымен қатар Сіз оны ұзақ уақыт бойы пайдаланбайтын жағдайларда қосымша қорғау үшін, құрылғыны электр қорегі розеткасынан ажыратыңыз. Бұл найзағай ұрғанда немесе электр желісіндегі секірулерден құрылғының істен шығуын болдырмайды.
- Желілік бауды ажырату үшін тікелей айыр тетіктен ұстаңыз, ешбір жағдайда баудан тартпаңыз.
- Егер іске қосылған құрылғының қасында балалар немесе мүмкіндіктері шектеулі тұлғалар болса аса назар болыңыз, оларды қараусыз қалдырмаңыз.
- Балалардың және мүмкіндіктері шектеулі адамдардың қауіпсіздігі үшін жауап беретін тұлғамен оларға құрылғыны қауіпсіз пайдалану және оны дұрыс пайдаланбаған кезде пайда болатын қауіптер туралы сәйкес және түсінікті нұсқаулықтар берілген болмаса, берілген құрылғы оларға пайдалануға арналмаған.

- Жан-жағыңыздағы адамдардың тыныштығын бұзбау үшін тыңдағыштар арқылы деңгейі жоғары дыбысты жаңғыртпаңыз.
- Есту қабілетін азайтпау үшін магнитоланы тыңдағыштар арқылы тыңдау кезінде жоғары дыбыс деңгейін орнатпаңыз, дәрігерлер магнитоланы жоғары дыбыс деңгейінде ұзақ үздіксіз тыңдауды ұсынбайды, егер сіз құлағыңызда ызың естісеңіз, дыбыс деңгейін зайтыңыз немесе тыңдауды доғарыңыз.
- Құрылғыға майшам сияқты, ашық от көздерін қоймаңыз.
- Құрылғы қорабындағы саңылаулар арқылы қандай да бір бөтен заттардың түсуіне жол бермеңіз, бұл құрылғының өртенуіне және электр тоғымен зақымдануға әкелуі мүмкін.
- Электр тоғы соққысын болдырмау үшін құрылғы қорабын өз бетіңізбен ашпаңыз. Құрылғыны жөндету және оған өзгертулер енгізбеңіз. Қызмет көрсету орталықтарының білікті мамандары ғана сервистік қызмет көрсетуді жүзеге асыруы керек.

Жөндетуді қажет ететін бұзылулар

Төменде сипатталған жағдайларда құрылғыны розеткадан ажырату және құрылғыны жөндету үшін білікті қызмет көрсетушілерге хабарласу қажет:

- Желілік баудың немесе айыр тетіктің бұзылуы
- Құрылғыға бөтен заттар түсуі.
- Құрылғының жаңбырдың астына түсуі немесе оған су төгілуі.
- Құрылғы дұрыс істемейді.
- Құрылғы құлауы немесе қандай да бір басқа жолмен бұзылуы.

Құрылғының күтімі

Тазарту алдында құрылғыны сөндіріңіз және розеткадан ажыратыңыз. Құрылғыны тазалау үшін жұмсақ дымқыл шүберекті пайдаланыңыз. Бұл мақсаттарға қажайтын заттарды және еріткіштерді пайдалануға тыйым салынады.

Дискілер күтімі

-Шытынаған немесе деформацияланған дискілерді пайдаланбаңыз, бұл құрылғының бұзылуына әкелуі мүмкін.

-Дискілерді тек шеттерінен ұстаңыз. Дискінің жұмыс бетіндегі шаң, сызат немесе саусақ іздері оның істен шығуына әкелуі мүмкін.

-Дискілерді тікелей күн сәулелерінің,

жылу көздерінің, жоғары температура мен ылғалдылықтың әсеріне ұшыратпаңыз.

-Пайдаланғаннан кейін дискіні сауытқа салып сақтаңыз. Дискінің жұмыс бетін жұмсақ шүберекпен ортасынан шетіне қарай тұрақты сүртіп тұрыңыз.

Жұмысты бастау алдында

Құрылғыны ораудан шығарыңыз. Пайдалануды бастау алдында қақпақты (7) ашыңыз және қорғайтын қыстырманы шығарыңыз, қапақты (7) жабыңыз.

Магнитоланың жұмысына кедергі болатын, құрылғының жоғарғы және беткі жағындағы барлық жарнамалық жапсырмаларды жойыңыз.

АТТАМАСЫ

1. 3,5мм тыңдағыштарды қосуға арналған ұя
2. **FUNCTION** (CD / OFF / RADIO) құрылғы жұмысы режимдерінің ауыстырғышы
3. **VOLUME** дыбыс деңгейін реттеу тұтқасы
4. **PROG +10** батырмасы
5. **STOP** ■ жаңғыртуды тоқтату батырмасы
6. СК-дисплей
7. Ықшам дискілерге арналған бөлік батырмасы
8. Телескопиялық FM –антенна
9. FM ST стерео сигнал көрсеткіші
10. Радионы баптау бағаны
11. **PLAY/PAUSE** жаңғырту/тоқтата тұру ► || батырмасы
12. **REP** қайталап жаңғырту батырмасы
13. **TUNING** баптау тұтқасы
14. **BAND** (AM / FM / FM ST) ауқымдар ауыстырғышы
15. ◀▶ дейінгі/кейінгі трекке көшу батырмасы
16. Үндеткіштер
17. Электр желісіне қосылуға арналған ұя
18. Батареялық бөлік қақпағы

ҚОРЕКТЕНДІРУДІ ҚОСУ

Желіден қоректендіру

Құрылғыны желіге қосар алдында, электр желісіндегі кернеудің құрылғының жұмыс істеу кернеуіне сәйкес келетіндігіне көз жеткізіңіз

- Құрылғыны желіге қосу үшін желілік баудың бір шетін ұяға (22), ал екінші шетін ашалыққа қосыңыз.

FUNCTION ауыстырғышын (2) CD немесе RADIO күйіне орнатыңыз.

- Құрылғыны сөндіру үшін FUNCTION ауыстырғышын (2) OFF күйіне белгілеңіз.

ҚАЗАҚ

Батарейкалардан қоректендіру

- Магнитоланы желіден айырыңыз
- Батареялық бөліктің қақпағын (18) ашыңыз.
- «С» «LR14», «UM 2» (1,5В) 8 батареяны (жеткізілім жинағына енбейді) батареялық бөлікке салыңыз
- Батареялық бөліктің қақпағын жабыңыз.

Назар аударыңыз!

- Өртүрлі, мысалы сілтілі немесе марганец-цинкті батареяларды бірге пайдаланбаңыз. Құрылғыны қоректендіру үшін бір түрлі батареяларды пайдалану керек.
- Батареяларды ауыстырған кезде ескі және жаңа батареяларды бірге пайдаланбаңыз.
- Құрылғы іркілістермен жұмыс істеген кезде батареяларды тексеріңіз және қажет болғанда оларды ауыстырыңыз.
- Егер құрылғы ұзақ уақыт бойы пайдаланылмайтын болса, батареяларды шығарып қойыңыз.
- Батареяларды дұрыс пайдаланбау электролиттің ағып кетуі мен құрылғының бұзылуының себебі болуы мүмкін.

Ескерту: Құрылғы күту режимінде болғанда, ол әлі энергияны тұтынады, құрылғыны толық сөндіру үшін, желілік бауды ашалықтан ажыратыңыз және батареяларды батареялық бөліктен шығарыңыз.

Тыңдағыштарды қосу

Магнитоланы тыңдағыштар (жеткізілім жинағына кірмейді) арқылы тыңдау үшін оларды **PHONES** ұясына (1) қосыңыз. Қажетті дыбыс деңгейін **VOLUME** реттегішімен (3) белгілеңіз. Тыңдағыштарды қосқанда магнитола үндеткіштері автоматты сөнеді.

Назар аударыңыз! Тыңдағыштар арқылы деңгейі жоғары дыбысты жаңғыртпаңыз. Есту қабілетін азайтпау үшін магнитоланы тыңдағыштар арқылы тыңдау кезінде жоғары дыбыс деңгейін орнатпаңыз, дәрігерлер магнитоланы жоғары дыбыс деңгейінде ұзақ үздіксіз тыңдауды ұсынбайды, егер сіз құлағыңызда ызың естісеңіз, дыбыс деңгейін зайтыңыз немесе тыңдауды доғарыңыз.

НЕГІЗГІ ҚЫЗМЕТТЕРІ

Дыбыс деңгейін реттеу

Қажетті дыбыс деңгейін орнату үшін дыбыс деңгейі реттейтін тұтқаны пайдалныңыз.

Радиостанцияларды қабылдау

1. **FUNCTION** ауыстырғышын (2) **RADIO** күйіне белгілеңіз.
2. **BAND** ауқымдар ауыстырғышын (14) сәйкес күйге орнатып, қалаған ауқымды таңдаңыз: **FM**, **AM**, **FM ST**.
3. Радиостанцияларды баптаудың **TUNING** тұтқасын (13) айналдыра отырып, қаланған радиостанцияны таңдаңыз.
4. Таңдап болғаннан кейін **FUNCTION** ауыстырғышын (2) **OFF** күйіне белгілеңіз.

Ескерту :

- стереосигнал тарататын станцияға бапталған кезде, радионы баптау бағанында (10) орналасқан **FM ST** көрсеткіші (9) жанады.
- нашар қабылдау жағдайында шуылдар естілуі мүмкін (сол кезде көрсеткіш (9) жанып сөнеді), мұндай жағдайда **BAND** ауыстырғышын (14) **FM** күйіне белгілеңіз, сол кезде дыбыс монофониялық режимде жаңғыртылады, бірақ шуылдар деңгейі анағұрлым азаяды.

Антенна

- **FM** ауқымындағы ең жақсы қабылдау үшін телескопиялық антеннаны (8) толық шығарыңыз және оны қажетті бұрышта бұраңыз.
- **AM** ауқымындағы ең жақсы қабылдау үшін көлденең жазықтықта құрылғыны өртүрлі бағыттау тәсілдерін көріңіз.

CD дискілерін жаңғырту

Дискіні жүктеу – Дискілерге арналған бөлік қақпағын (7) ашыңыз. CD дискіні орнатыңыз және бөлік қақпағын (7) жабыңыз.

Дискіні шығару – Жаңғыртуды тоқтатқаннан кейін дискілерге арналған бөліктің қақпағын (7) ашыңыз, сол кезде дисплейде (6) «OP» таңбасы көрсетіледі және дискіні шығарыңыз. Дискіні қабына салып қойыңыз.

Дискілерге арналған бөлікке шаң түсуін болдырмау үшін, ерқашан оның қақпағын (7) жабыңыз. Егер дискі жаңғыртылып жатпаса, оны ерқашан бөліктен шығарыңыз

1. Құрылғыны электр желісіне қосыңыз.
2. CD дискілерді жаңғырту режимін таңдаңыз. Ол үшін **FUNCTION** ауыстырғышын (2) **CD** күйіне белгілеңіз, сол кезде дисплей көмескілеуі жанады.
3. Қақпақты (7) ашыңыз. Дискіні жапсырмасымен жоғары орнатыңыз және бөліктің қақпағын жабыңыз.

4. Дискіден ақпарат оқылғаннан кейін дисплейде (6) тректердің саны көрсетіледі және бірінші трек жаңғыртыла бастайды

Ескерту:

- берілген құрылғы CD-R және CD-RW дискілерді жаңғырта алады
- диск болмағанда немесе бүлінген диск салынған жағдайда дисплейде (6) «no» таңбалары көрсетіледі

Жаңғырту

- Жаңғыртуды тоқтату режимінде батырманы (11) басыңыз, дискіні жаңғырту басталады және дисплейде (6) жаңғыртылып жатқан тректің нөмірі және ►|| таңбасы көрсетіледі.

Тоқтата тұру

- Жаңғыртуды тоқтата тұру үшін батырманы (11) басыңыз, сол кезде дисплейде (6) жаңғыртылып жатқан тректің нөмірі және ►|| таңбасы жанып-сөнеді.
- Жаңғыртуды жалғастыру үшін батырманы (11) қайталап басыңыз.

Жаңғыртуды тоқтату

- Жаңғыртуды тоқтату үшін ■ батырмасын (5) басыңыз, сол кезде дисплейде (6) дискідегі тректердің жалпы саны көрсетіледі.

Дейінгі тректің басына немесе кейінгі трекке өту.

- Жаңғырту кезінде немесе тоқтата тұру режимінде дейінгі немесе кейінгі трекке өту үшін ◀/▶ батырмаларын (15) басыңыз.

Тректің белгілі бір бөлігін жаңғыртуға өту

- Жаңғырту режимінде тректің белгілі бір бөлігін жаңғыртуға жылдам өту үшін ◀/▶ батырмаларын (15) басыңыз және ұстап тұрыңыз.

Ескерту:

- тректің белгілі бір бөлігін жаңғыртуға жылдам өту режимінде, ◀/▶ батырмалардың (15) біреуі басылып тұрғанда дыбыс жаңғыртылмайды.

Тректі немесе дискіні жаңғыртуды қайталау

- Бір тректі қайталау үшін **REP** батырмасын (12) бір рет басыңыз, дисплейде «REP» таңбасы көрсетіледі.
- Барлық тректерді қайталау үшін **REP** батырмасын (12) екі рет басыңыз, дисплейде (6) «REP ALL» таңбасы көрсетіледі.

Жазылған тректерді еркін тәртіппен жаңғырту

- Дискідегі барлық тректерді еркін тәртіппен жаңғырту үшін **REP** батырмасын (12) үш рет басыңыз, дисплейде (6) «RAND» таңбасы көрсетіледі.

Ескерту:

- қайталау режимдерін іске қосу жаңғырту, тоқтаат тұру немесе тоқтату режимдерінен жүзеге асырыла алады.
- қайталау режимін бодырмау үшін «REP», «REP ALL» немесе «RAND» таңбалары жойылғанға дейін **REP** батырмасын (12) бірнеше рет басыңыз.

ЖАҢҒЫРТУДЫ БАҒДАРЛАМАЛАУ

Сіз қажетті кезекпен тректердің жаңғытылуын бағдарламалай аласыз, максимум 20 трек.

1. Дискінің жаңғыртылуы **STOP** тоқтату режимінде, бір рет **PROG+10** батырмасын (4) басыңыз. дисплейде (6) «PROG» бағдарламалау таңбалары және «P01» жад ұяшығының нөмірі жанып сөне бастайды
2. ►◄ батырмаларын (15) кезегімен баса отырып, қажетті тректі таңдаңыз.
3. Таңдалған тректі сақтау үшін **PROG+10** батырмасын басыңыз. Бағдарламалау кезіндегі тректің нөмірі «P02» болып өзгереді, оған клесі тректің нөмірін жазуға болады (2 тармағын қараңыз).
4. Сіз барлығы 20 тректі бағдарламлай аласыз. Құрылғының жады толық 20 трекке толғанда, құрылғы дисплейінде **FULL** таңбасы көрінеді
5. Бағдарламаланған тректерді жаңғырту үшін батырманы (11) батырмасын басыңыз.
6. Бағдарламаланған жаңғыртуды жою үшін ■ батырмасын (5) басыңыз немесе дискілерге арналған бөлімнің қақпағын ашыңыз, немесе **FUNCTION** батырмасын (2) басқа күйге белгілеңіз.

MP3 файлдарды дискіден жаңғырту

Шуылы және іркілістері жоқ сапалы дыбысқа лицензиялы дискілер жаңғыртылғанда ғана кепілдік беріледі, бірақ дискіні өндірушідегі бағдарламалық қамсыздандыруға немесе дискіні жазу жылдамдығына байланысты, дискіні құрылғымен оқығанда мәселелер пайда бола алады.

ҚАЗАҚ

Файлдарды жаңғырту

1. Құрылғыны электр желісіне қосыңыз.
2. CD дискілерді жаңғырту режимін таңдаңыз. Бұл үшін **FUNCTION** ауыстырғышын (2) CD күйіне белгілеңіз, сол кезде дисплейдің (6) көмескілеуі жанады.
3. Ақпарат оқылып болғаннан кейін дисплейде (6) қапшықтардың жалпы саны «F», тректердің жалпы саны көрсетіледі, дискінің бірінші қапшығындағы бірінші тректің жаңғыртылуы басталады. Дисплейде (6) ► || жаңғырту таңбалары көрсетіледі, трек нөмірі қапшық нөмірімен кезектеседі, дисплейдің жоғарғы жағында музыкалық тректің өлшемі «MP3» немесе «WMA» көрсетіледі.
4. Бүлінген диск салынған жағдайда дисплейде (6) «no» таңбалары көрсетіледі

Жаңғырту

- Жаңғыртуды тоқтату режимінде батырманы (11) басыңыз, жаңғырту басталады, дисплейде (6) ► || жаңғырту таңбасы көрсетіледі, трек нөмірі қапшық нөмірімен кезектеседі, дисплейдің жоғарғы жағында музыкалық тректің өлшемі «MP3» немесе «WMA» көрсетіледі.
- Жаңғырту режимінде 10 трекке алға жылжу үшін **PROG +10** батырмасын (4) басыңыз.

Тоқтата тұру

- Жаңғыртуды тоқтата тұру үшін батырманы (11) басыңыз, сол кезде дисплейде (6) жаңғыртылып жатқан тректің нөмірі және ► || таңбасы жанып-сөнеді.
- Жаңғыртуды жалғастыру үшін батырманы (11) қайталап басыңыз.

Жаңғыртуды тоқтату

- Жаңғыртуды тоқтату үшін ■ батырмасын (5) басыңыз, сол кезде дисплейде (6) дискідегі тректердің жалпы саны көрсетіледі.

Дейінгі тректің басына немесе кейінгі трекке өту.

- Жаңғырту кезінде немесе тоқтата тұру режимінде дейінгі немесе кейінгі трекке өту үшін ◀/▶ батырмаларын (15) басыңыз.

Тректің белгілі бір бөлігін жаңғыртуға өту

- Жаңғырту режимінде тректің белгілі бір бөлігін жаңғыртуға жылдам өту үшін ◀/▶ батырмаларын (15) басыңыз және ұстап тұрыңыз.

Ескерту:

- тректің белгілі бір бөлігін жаңғыртуға жылдам өту режимінде, ◀/▶ батырмалардың (15) біреуі басылып тұрғанда дыбыс жаңғыртылмайды.

Тректегі жаңғыртуды қайталау

- Бір тректі қайталау үшін **REP** батырмасын (12) бір рет басыңыз, дисплейде «REP» таңбасы көрсетіледі.

Альбомды жаңғыртуды қайталау (ALBUM)

- Альбомдағы барлық тректерді қайталау үшін («F» қапшықтарының біреуін) **REP** батырмасын (12) екі рет басыңыз, дисплейде (6) «ALBUM» таңбасы көрсетіледі.

Дискідегі барлық тректі жаңғыртуды қайталау

- Бір тректі қайталау үшін **REP** батырмасын (12) бір рет басыңыз, дисплейде «REP» таңбасы көрсетіледі.
- Барлық тректерді қайталау үшін **REP** батырмасын (12) үш рет басыңыз, дисплейде (6) «REP ALL» таңбасы көрсетіледі.

Жазылған тректерді еркін тәртіппен жаңғырту

- Дискідегі барлық тректерді еркін тәртіппен жаңғырту үшін **REP** батырмасын (12) үш рет басыңыз, дисплейде (6) «RAND» таңбасы көрсетіледі.

Ескерту:

- қайталау режимдерін іске қосу жаңғырту, тоқтата тұру немесе тоқтату режимдерінен жүзеге асырыла алады.
- қайталау режимін бодырмау үшін «REP», «REP ALL» немесе «RAND» таңбалары жойылғанға дейін **REP** батырмасын (12) бірнеше рет басыңыз.

ЖАҢҒЫРТУДЫ БАҒДАРЛАМАЛАУ

Сіз қажетті кезекпен тректердің жаңғыртылуын бағдарламалай аласыз, максимум 99 трек.

7. Дискінің жаңғыртылуы **STOP** тоқтату режимінде, бір рет **PROG+10** батырмасын (4) басыңыз. дисплейде (6) «PROG» бағдарламалау таңбалары және «P01» жад ұяшығының нөмірі жанып сөне бастайды.
8. ▶ ◀ батырмаларын (15) кезегімен баса отырып, қажетті тректі таңдаңыз.
9. Таңдалған тректі сақтау үшін **PROG+10** батырмасын басыңыз. Бағдарламалау

- кезіндегі тректің нөмірі «P02» болып өзгереді, оған клесі тректің нөмірін жазуға болады (2 тармағын қараңыз).
10. Сіз барлығы 20 тректі бағдарламлай аласыз. Құрылғының жады толық 20 трекке толғанда, құрылғы дисплейінде FULL таңбасы көрінеді
 11. Бағдарламаланған тректерді жаңғырту үшін батырманы (11) батырмасын басыңыз.
 12. Бағдарламаланған жаңғыртуды жою үшін ■ батырмасын (5) басыңыз немесе дискілерге арналған бөлімнің қақпағын ашыңыз, немесе **FUNCTION** батырмасын (2) басқа күйге белгілеңіз.

АҚАУЛАРДЫ ІЗДЕУ ЖӘНЕ ЖОЮ

Ақаулардың немесе бөгеттердің себебі болып көбінесе дұрыс пайдаланбау есептеледі. Егер сіз құрылғының бір нәрсесі дұрыс емес деп есептесеңіз, ақаулықтың барлық мүмкін себебін берілген кесте бойынша тексеріңіз. Егер сізге ақаулықтарды жою мүмкін болмағанда, жөндеу жұмыстарын орындау үшін ең жақын тел туындыгерлес қызмет көрсету орталығына немесе делдалға х

Ақаулық	Мүмкін себебі	Жойылуы
Радио		
FM немесе AM ауқымындағы радиостанцияларды тыңдау кезіндегі шуыл	Станция бапталмаған	Станция бапталмаған
	FM ауқым: антенна шығарылмаған	Антеннаны шығарыңыз
	AM ауқым: құрылғы қабылдау аймағынан тыс орналасқан	Орналастырудың басқа тәсілдерін тексеріңіз
Магнитола FM немесе AM ауқымындағы радиостанцияларды жаңғыртпайды	FUNCTION ауыстырғышы RADIO күйіне белгіленбеген	FUNCTION ауыстырғышы RADIO күйіне белгілеңіз
	Дыбыстың төмен деңгейі	Дыбыс деңгейін көтеріңіз
Диск		
Диск жаңғыртылмайды	FUNCTION ауыстырғыш CD күйіне белгіленбеген	FUNCTION ауыстырғыш CD күйіне белгілеңіз
	Диск жоқ немесе дұрыс орнатылмаған	Дискінің орнатылуының дұрыстығын тексеріңіз, ол жапсырмасымен жоғары орнатылуы керек
Жеке тректер жаңғыртылмайды	Дискінің сызаттары бар немесе кірлеген	Дискіні жұмсақ матамен сүртіңіз, бүлінген дискілерді пайдаланбаңыз
Диск орнатылған, бірақ тректер жаңғыртылмайды	Диск дұрыс орнатылмаған	Дискінің орнатылуының дұрыстығын тексеріңіз, ол жапсырмасымен жоғары орнатылуы керек
	Дискінің сызаттары бар немесе кірлеген	Дискіні жұмсақ матамен сүртіңіз, бүлінген дискілерді пайдаланбаңыз
	Дискінің сәйкес келмейтін өлшемі	Сәйкес өлшемдегі дискілерді пайдаланыңыз

ҚАЗАҚ

Техникалы сипаттамалары

Қорегі	АС 220-240 В, ~50 Гц / 8 x 1,5В батарейка UM-2 (R-14 немесе С
Шығаратын қуаты	2 x 1,2 Вт
Ауқымдар жиілігі	AM: 522 - 1620 кГц FM: 64 - 108 МГц
Дискіні жүктеу	Жоғарыдан

Өндіруші прибордың характеристикаларын өзгертуге, алдын ала ескертусіз өзінің құқын сақтайды

Құралдың қызмет ету мерзімі - 3 жыл

Гарантиялық міндеттілігі



Гарантиялық жағдайдағы қаралып жатқан бөлшектер дилерден тек сатып алынған адамға ғана беріледі. Осы гарантиялық міндеттілігіндегі шағымдалған жағдайда төлеген чек немесе квитанциясын көрсетуі қажет.

Бұл тауар EMC – жағдайларға сәйкес келеді негізгі Міндеттемелер 89/336/ЕЕС Директиваның ережелеріне енгізілген Төменгі Ережелердің Реттелуі (73/23 ЕЕС)

MP3/CD o'qiydigan magnitola

FOYDALANISH QOIDALARI

Jihozni elektrga ulashdan, ishlatishdan yoki to'g'rilashdan oldin foydalanish qoidalarini diqqat bilan o'qib chiqing. Qo'llanmada aytilgan ogohlantirishlar, jihozni ishlatish haqidagi tavsiyalarining hammasiga rioya etish kerak. Qo'llanmani saqlab olib qo'yib keyinchalik ma'lumot olish uchun ishlatning.

	Diqqat Elektr toki urish xavfi bor Ochmang	
<p>Ogohlantirish: Yong'in chiqmasligi va elektr toki urmasligi uchun jihozga yomg'ir yoki nam tekkizmang. Elektr toki urmasligi uchun jihoz korpusini o'zingiz ochmang. Jihozni faqat xizmat ko'rsatish markazlaridagi malakali mutaxassislariga ta'mirlashlari va qarashlari kerak.</p>		



Xavfli elektr quvvati

Tomonlari to'g'ri uchburchak ichidagi chaqmoq belgisi foydalanuvchiga jihoz korpusi ichida xavfli elektr quvvati borligini va u elektr toki urishiga sabab bo'lishi mumkinligini bildiradi.



Diqqat

Tomonlari to'g'ri uchburchak ichidagi undov belgisi foydalanuvchiga qo'llanmada foydalanish va texnik xizmat ko'rsatish bo'yicha muhim tavsiyalar borligini bildiradi.

CLASS 1 LASER PRODUCT

Ushbu mahsulot 1 TOIFADAGI LAZERLI JIHOZI tasnifiga kiradi. Jihoz orqasidagi shuni bildiradigan yorliq jihozda lazer nuri ishlatilishini bildiradi. Agar jihoz ochilmasa lazer nuri ta'sir qilmaydi. JIHOZNI FAQAT XIZMAT MARKAZLARIDAGI MALAKALI MUTAXASSISLARGINA TA'MIRLASHLARI MUMKIN.

XAVFSIZLIK QOIDALARI

- Elektr tarmog'idagi quvvat jihoz ishlaydigan quvvatga to'g'ri kelishini tekshirib ko'ring.
- Yong'in chiqmasligi yoki elektr toki urmasligi uchun jihozni namlik ko'p joylarga (suv solingan vanna, tog'ora, oshxonadagi idish yuvgich, kir yuvish mashinasi, suzish havzalari, zax yerto'la va hk. yaqiniga) qoy'mang. Jihozga tomchi tekkizmang, suv sachratmang. Jihozni suvga solish ta'qiqlanadi.

- Rozetka yoki uzaytirgichlarga ortiqcha yuk tushirmang, sababi bu yong'in chiqishi yoki elektr toki urishiga sabab bo'lishi mumkin.
- Jihozni shunday qo'yingki, biror joyi nosoz bo'lganda elektr vilkasini rozetkadan tez chiqarib olish mumkin bo'lsin.
- Jihozni tekis, havo yaxshi aylanadigan joyga qo'ying. Jihoz korpusidagi havo kiradigan joylarni berkitib qo'ymang.
- Jihozni issiqlik manbaalari yaqiniga, misol uchun, radiatorlar, elektr isitgichlar, duxovkalar va o'zidan issiq chiqaradigan boshqa vositalar (shuningdek ovoz kuchaytirgichlar) yaqiniga, quyosh nuri to'g'ri tushib turadigan, chang ko'p bo'ladigan, mexanik urilishi mumkin bo'lgan joylarga qo'ymang.
- Chaqmoq chaqayotganda qo'shimcha himoya qilish uchun, shuningdek, ko'p vaqt ishlatmaganingizda, jihozni elektr rozetkasidan chiqarib qo'ying. Shunda yashin tekkanda yoki elektr tarmog'ida tok kuchi keskin o'zgariganda jihoz ishdan chiqmaydi.
- Elektr shnurini ajratganda vilkani ushlab torting, hech qachon shnurini ushlab tortmang.
- Ishlab turgan jihoz oldida bolalar yoki imkoniyati cheklangan insonlar bo'lganda ayniqsa ehtiyot bo'ling, ularni qarovsiz qoldirmang.
- Ushbu jihoz bolalar va imkoniyati cheklangan insonlarning ishlatishi uchun mo'ljallanmagan, ularning xavfsizligi uchun javob beradigan shaxslar jihozni xavfsiz ishlatish qoidalarini to'liq va tushunarli qilib o'rgatgan va u noto'g'ri ishlatilganda qanday xavf bo'lishi mumkinligini tushuntirgan hollar bundan istisno qilinadi.
- Atrofingizdagi insonlar tinchini buzmaslik uchun magnitolani juda baland qilib eshitmang.
- Eshitishingiz yomonlashmasligi uchun magnitolani quloqqa tutib eshitish vositasi bilan eshitganda ovozi baland qilib qo'ymang, ekspertlar quloqqa tutish vositasi bilan magnitolani baland qilib ko'p eshitishni maslahat berishmaydi, agar qulog'ingizda shovqin eshitilsa ovozi pasaytirib eshitishni to'xtating.
- Jihoz ustiga ochiq olov manbaalari, misol uchun, sham qo'yish ta'qiqlanadi.
- Elektr toki urmasligi, jarohat olmaslik yoki uydagi buyumlar shikastlanmasligi uchun jihozni tushirib yubormang va uning ichiga yot jismlarni solmang.
- Elektr toki urmasligi uchun hech qachon jihozni o'zingiz qismlarga ajratmang; biror joyi buzilgan bo'lsa faqat vakolati bor xizmat markaziga olib boring.

ЎЗБЕК

Ta'mirlash kerak bo'ladigan shikastlanishlar

Quyidagi hollarda jihozni rozetkadan ajratish va ta'mirlatish uchun vakolatli xizmat markaziga olib borish kerak:

- elektr shnuri yoki vilkasi shikastlanganda.
- jihoz ichiga yot jism tushganda
- jihoz yomg'irda qolganda yoki ustiga suv to'kilib ketganda
- jihoz bir ishlab bir ishlamayotganda
- jihoz tushib ketganda yoki biror joyi shikastlanganda.

Jihozni ehtiyot qilish

Tozalashdan oldin jihozni o'chiring va rozetkadan ajratib qo'ying. Jihoz korpusini tozalash uchun yumshoq, nam mato ishlatiladi. Tozalash uchun qirib tozalaydigan vositalar yoki eritgichlar ishlatish ta'qiqlanadi.

Disklarni ehtiyot qilish

- Qiyshaygan yoki darz ketgan diskni ishlatmang, bu jihoz buzilishiga sabab bo'lishi mumkin.
- Diskni faqat chetidan ushlang. Diskning ishlaydigan yuzasiga qo'llingizni tekkizmang. Disk ishlash yuzasidagi chang, tirmalgan joy yoki barmoq izi uni ishdan chiqarishi mumkin.
- Diskka quyosh nuri to'g'ri tushmasligi, issiqlik manbaalari, yuqori harorat va namlik ta'sir qilmasligi kerak.
- Ishlatib bo'lgandan keyin diskni qutisiga solib qo'ying. Vaqti-vaqti bilan diskning ishlash yuzasini yumshoq mato bilan o'rtasidan chetiga qarab artib turing.

Ishlatishdan oldin

Jihozni qutisidan chiqarib oling. Qopqog'ini (7) ochib himoya qatlamini olib tashlang, ishlatishdan oldin qopqog'ini (7) yoping. Magnitola ustidagi va oldidagi ishlashiga xalaqit beradigan reklama yorliqlari/yozuvlarini olib tashlang.

ASOSIY QISMLARI

1. Quloqqa tutish vositasini ulash o'rni (3, 5 mm)
2. Jihoz ishlash holatini o'zgartirish murvati **FUNCTION** (CD / OFF / RADIO)
3. Ovoz balandligini o'zgartirish murvati **VOLUME**
4. **PROG +10** tugmasi
5. To'xtatish tugmasi **STOP** ■
6. Suyuq kristalli displey
7. Kompakt disk solinadigan bo'lma qopqog'i
8. Uzyadigan FM antenna
9. Stereosignal qabul qilinayotgani ko'rsatgichi FM ST

10. Radio to'g'rilanishi ko'rsatgichi
11. Eshitish/eshitishni to'xtatib turish ► || PLAY/ PAUSE
12. Qaytarib eshitish tugmasi **REP**
13. Radiostansiyalarni to'g'rilash murvati **TUNING**
14. Radio diapazonini o'zgartirish murvati **BAND** (AM / FM / FM ST)
15. Oldingi/keyingi trekka o'tkazish tugmasi ◀/▶
16. Dinamiklar
17. Elektr shnurini ulash o'rni
18. Batareya bo'lmasi qopqog'i

ELEKTR MANBAIGA ULASH

Elektr tarmog'idan quvvatlantirish

Jihozni elektrga ulashdan oldin elektr tarmog'idagi quvvat jihoz ishlaydigan elektr quvvatiga to'g'ri kelishini tekshirib ko'ring.

- Jihozni elektrga ulash uchun elektr shnuri bir uchini ulash o'rniga (17) vilkasini esa rozetkaga ulang.
- **FUNCTION** murvatini (2) CD yoki RADIO tomonga o'tkazib qo'ying.
- Jihozni o'chirish uchun **FUNCTION** murvatini OFF tomonga surib qo'ying.

Batareyadan ishlatish

- Magnitolani elektr tarmog'idan uzib qo'ying.
- Batareya bo'lmasi qopqog'ini (18) oching.
- Manfiy va musbat tomonlarini to'g'rilab batareya bo'lmasiga 8 dona «C», «LR14», «UM 2» (1,5V) batareyasidan qo'ying (jihoz bilan qo'shib berilmaydi).
- Batareya bo'lmasi qopqog'ini yoping.

Diqqat!

- Har xil turdagi batareyalarni, misol uchun, ishqorli va marganes-ruxli batareyalarni birga ishlatmang. Jihozga quvvat berish uchun faqat bir turdagi batareyalarni ishlatish kerak.
- Batareyalarni almashtirganda eski batareyalarni yangi batareyalarga qo'shib ishlatmaslik kerak.
- Jihoz yaxshi ishlamay qolsa batareyalarini tekshirib ko'ring, kerak bo'lsa ularni almashtiring.
- Agar jihoz ko'p vaqt ishlatilmasa batareyalarni chiqarib olib qo'ying;
- Batareya noto'g'ri ishlatilsa elektrolit oqib ketishi va jihoz shikastlanishi mumkin.

Eslatma: Jihoz kutish holatida bo'lganida ham quvvat olib turadi, jihozni to'liq o'chirish uchun elektr shnurini rozetkadan ajratib qo'ying.

Quloqqa tutish vositasini ulash

Magnitolani quloqqa tutish vositasini bilan eshitish uchun (jihozga qo'shib berilmaydi) uni (1) **PHONES**

ulash o'rniga ulang. (3) **VOLUME** murvatini burab ovoz balandligini keragicha ko'taring. Quloqqa tutish vositasi ulanganda magnitola dinamiklaridan ovoz chiqishi to'xtataydi.

Diqqat! Quloqqa tutish vositasida ovozni baland qilib eshitmang. Eshitishingiz yomonlashmasligi uchun magnitolani quloqqa tutib eshitish vositasi bilan eshitganda ovozni baland qilib qo'ymang, ekspertlar quloqqa tutish vositasi bilan magnitolani baland qilib ko'p eshitishni maslahat berishmaydi.

ASOSIY FUNKSIYALARI

Ovoz balandligini o'zgartirish

Ovoz balandligini kerakli qilib o'zgartirish uchun (3) **VOLUME** ovoz balandligini o'zgartirish murvatini burang.

Radiostansiyalarni qabul qilish

1. **FUNCTION** murvatini (2) RADIO tomonga o'tkazib qo'ying.
2. **BAND** murvatini (14) AM, FM, FM ST dan biriga surib kerakli diapazonni tanlang.
3. **TUNING** (13) murvatini burib kerakli radiostansiyani toping.
4. Eshitib bo'lgach **FUNCTION** (2) murvatini OFF tomonga o'tkazib qo'ying.

Eslatma:

- stereo to'lqin uzatadigan stansiya topilganda radioni to'g'rilash ko'rsatgichida (10) FM ST ko'rsatgichi (9) yonadi.
- to'lqin yaxshi qabul qilinmaganda shovqin eshinishi mumkin, (shunday bo'lganda ko'rsatgich (9) o'chib yonadi), agar shunday bo'lsa (14) **BAND** murvatini FM tomonga surib qo'ying, shunda ovoz monofonik holatda uzatiladi, lekin shovqin ancha kamayadi.

Antenna

- FM diapazonida to'lqinni yaxshiroq qabul qilishi uchun antennani to'liq chiqarib kerakli tomonga qarating.
- AM diapazonida to'lqin yaxshi qabul qilinishi uchun esa jihozning o'rnini o'zgartiring.

CD disklarni eshish

Diskni qo'yish – disk qo'yiladigan bo'lma qopqog'ini (7) oching. Yorlig'ini yuqoriga qilib CD disk qo'ying va bo'lma qopqog'ini (7) yoping.

Diskni chiqarib olish – disk o'qilishi to'xtaganidan so'ng disk qo'yiladigan bo'lma qopqog'ini (7) oching, shunda displeyda (6) «OP» yozuvi ko'rinadi, diskni chiqarib oling. Diskni qutisiga soling.

Chang tushmasligi uchun disk solinadigan bo'lma qopqog'ini (7) doym yopiq bo'lishi kerak. Agar eshitmayotgan bo'lsangiz, diskni doym bo'lmadan chiqarib oling.

1. Jihozni elektrga ulang
2. CD diskni o'qish holatiga o'tkazing. Buning uchun (2) **FUNCTION** murvatini CD holatiga o'tkazib qo'ying, shunda displey (6) yorishadi.
3. Disk solinadigan bo'lma qopqog'ini (7) oching, yorlig'ini yuqoriga qilib diskni qo'ying va bo'lma qopqog'ini (7) yoping.
4. Diksdagi ma'lumot o'qilgandan keyin displeyda (6) treklar umumiy soni ko'rinadi va diskdagi birinchi trek o'qila boshlaydi.

Eslatma:

- ushbu vosita CD-R va CD-RW disklarni o'qishi mumkin.
- disk solinadigan bo'lmada disk bo'lmasa yoki disk shikastlangan bo'lsa displeyda (6) «no» yozuvi ko'rinadi.

Eshitish

- Eshitish to'xtatilgan holatda (11) tugmasini bosing, disk o'qila boshlaydi va displeyda (6) o'qilayotgan trek soni bilan ►|| alomati ko'rinadi.

To'xtatib turish

- Disk o'qilishini to'xtatib turish uchun disk eshish holatida (11) tugmasini bosing, shunda displeyda (6) ►|| alomati bilan trek raqami o'chib yona boshlaydi.
- Disk yana o'qilishi uchun yana bir marta (11) tugmasini bosing.

Disk o'qilishini to'xtatish

- Disk o'qilishini to'xtatish uchun (5) ■ tugmasini bosing, displeyda (6) umumiy treklar soni ko'rinadi.

Oldingi trek boshlanishiga yoki keyingi trekka o'tish

- O'qilayotgan vaqtda yoki to'xtatib turilganda oldingi trek boshlanishiga yoki keyinga trekka o'tish uchun (15) ◀/▶ tugmalarini bosing.

Trek ma'lum qismini eshish

- Trek ma'lum qismini eshishga tez o'tish uchun o'qilayotgan vaqtda (15) ◀/▶ tugmalarini bosib ushlab turing.

Eslatma:

- trek ma'lum qismiga tez o'tish uchun (15) ◀/▶ tugmalaridan biri bosilganda ovoz eshitilmaydi.

Trek yoki diskni qayta eshitish

- Bitta trekni qaytarib eshitish uchun (12) **REP** tugmasini bir marta bosib, displeyda «REP» yozuvi ko'rinadi.

- Diskdagi treklarning hammasini qayta eshitish uchun (12) **REP** tugmasini ikki marta bosib, displeyda (6) «REP ALL» yozuvi ko'rinadi.

Diskdagi treklarni aralash o'qish

- Diskdagi treklarning hammasini aralash o'qishi uchun (12) **REP** tugmasini uch marta bosib, displeyda (6) «RAND» yozuvi ko'rinadi.

Eslatma:

- qaytarib eshitish holatiga faqat eshitish, to'xtatib turish yoki to'xtatish holatlaridan o'tish mumkin.

- qaytarib eshitishni bekor qilish uchun «REP», «REP ALL» yoki «RAND» yozuvlari ko'rinmay qolguncha (12) **REP** tugmasini bosib.

Treklar o'qilishi tartibini dasturlash

Treklar (ko'pi bilan 20 tasi) o'qilishini xohlagan tartibda dasturlab qo'yishingiz mumkin.

1. Disk o'qilishi to'xtaganda (STOP) bir marta (4) **PROG+10** tugmasini bosib, displeyda (6) dasturlash alomati bo'lgan «PROG» yozuvi o'chib yana boshlaydi va dasturlanadigan xotira katagi ko'rinadi «P01».

2. **◀** yoki **▶** tugmalarini (15) bosib kerakli trekni tanlang.

3. Tanlangan trekni xotirada saqlash uchun **PROG+10** tugmasini bosib, shunda displeyda (6) keyingi trekni kiritib qo'yish mumkin bo'lgan «R02» xotira katagi ko'rinadi (2-bandda aytilgan).

4. Hammasi bo'lib 20 trekni xotiraga kiritish mumkin, xotira kataklari to'lganidan keyin displeyda «FUL» yozuvi ko'rinadi.

5. Dasturga kiritilgan treklarni navbati bilan o'qishi uchun (11) tugmasini bosib.

6. Dasturga kiritilgan tartibda o'qishni bekor qilish uchun (5) **■** tugmasini bosib, disk solinadigan bo'lma qopqog'ini (7) oching yoki (2) **FUNCTION** murvatini boshqa holatga o'tkazib qo'ying.

Diskdagi MP3 fayllarni eshitish

Ovoz sifatli, shovqinsiz va uzilishsiz bo'lishi faqat lisenziyalik disklarda bo'lishi mumkin, lekin disk ishlab chiqaruvchining dasturiy ta'minoti va yozilish tezligiga qarab jihoz diskni o'qiganda muammo paydo bo'lishi mumkin.

MP3 fayllarni eshitish

1. Jihozni elektrga ulang.

2. CD diskni o'qish holatiga o'tkazib. Buning uchun (2) **FUNCTION** murvatini CD tomonga o'tkazib, shunda displey (6) yorishadi.

4. Ma'lumot o'qilganidan keyin displeyda (6) jildlarning umumiy soni «F», treklarning umumiy soni ko'rinadi, birinchi jilddagi birinchi trek o'qila boshlaydi. Displeyda (6) fayl o'qilayotganini bildiradigan alomat **▶||** ko'rinadi, jild raqamidan keyin trek raqami ko'rsatiladi, displeyning yuqorisida musiqali trek formati «MP3» yoki «WMA» ko'rinadi.

5. Ulangan disk shikastlangan bo'lsa displeyda (6) «no» yozuvi ko'rinadi

Eshitish

- Eshitish to'xtab turgan vaqtda tugmani (11) bosib, shunda USB vosita yoki SD karta o'qila boshlaydi, displeyda (6) fayl o'qilayotganini bildiradigan alomat **▶||** ko'rinadi, jild raqamidan keyin trek raqami ko'rsatiladi, displeyning yuqorisida musiqali trek formati «MP3» yoki «WMA» ko'rinadi.

- Eshitayotgan vaqtingizda 10 trek oldinga o'tish uchun (4) **PROG +10** tugmasini bosib.

To'xtatib turish

- O'qilishini to'xtatib turish uchun (11) tugmasini bosib, shunda displeyda (6) **▶||** alomati bilan trek raqami o'chib yana boshlaydi.

- Yana o'qilishi uchun yana bir marta (11) tugmasini bosib.

O'qilishini to'xtatish

- O'qilishini to'xtatish uchun (5) **■** tugmasini bosib, displeyda (6) umumiy treklar soni ko'rinadi.

Oldingi trek boshlanishiga yoki keyingi trekka o'tish

- O'qilayotgan vaqtda yoki to'xtatib turilganda oldingi trek boshlanishiga yoki keyinga trekka o'tish uchun (15) **◀/▶** tugmalarini bosib.

Trek ma'lum qismini eshitishga o'tish

- Trek ma'lum qismini eshitishga tez o'tish uchun o'qilayotgan vaqtda (15) **◀/▶** tugmalarini bosib ushlab turing.

Eslatma:

- trek ma'lum qismiga tez o'tish uchun (15) **◀/▶** tugmalaridan biri bosilganda ovoz eshitilmaydi.

- **◀/▶** (15) tugma ko'p vaqt bosib ushlab turilsa o'qish trekning tanlangan ma'lum qismidan boshlanadi

Trekni qayta eshitish

- bitta trekni qaytarib eshitish uchun (12) **REP** tugmasini bir marta bosib, displeyda «REP» yozuvi ko'rinadi.

Albomni qayta eshitish (ALBUM)

Albomdagi («F» jildlaridan biridagi) treklarning hammasini qayta eshitish uchun (12) **REP** tugmasini ikki marta bosib, displeyda (6) «ALBUM» yozuvi ko'rinadi.

Diskdagi treklarning hammasini qayta o'qish

- Diskdagi treklarning hammasini qayta o'qish uchun (12) **REP** tugmasini uch marta bosib, displeyda «REP ALL» yozuvi ko'rinadi.

Yozilgan treklarni aralash o'qish

- Diskdagi treklarning hammasini aralash o'qishi uchun (12) **REP** tugmasini to'rt marta bosib, displeyda (6) «RAND» yozuvi ko'rinadi.

Eslatma:

- qaytarib eshitish holatiga faqat eshitish, to'xtatib turish yoki to'xtatish holatlaridan o'tish mumkin.
- qaytarib eshitishni bekor qilish uchun «REP», «REP ALL» yoki «RAND» yozuvlari ko'rinmay qolguncha (12) **REP** tugmasini bosib.

Treklar o'qilishi tartibini dasturlash

Treklar (ko'pi bilan 99 tasi) o'qilishini xohlagan tartibda dasturlab qo'yishingiz mumkin.

1. Disk o'qilishi to'xtaganda (STOP) bir marta (4) **PROG+10** tugmasini bosib, displeyda (6) dasturlash alomati bo'lgan «PROG» yozuvi o'chib yona boshlaydi va dasturlanadigan xotira katagi ko'rinadi «P01».
2. «◀» yoki «▶» tugmalarini (15) bosib kerakli trekni tanlang.
3. Tanlangan trekni xotirada saqlash uchun **PROG+10** tugmasini bosib, shunda displeyda (6) keyingi trekni kiritib qo'yish mumkin bo'lgan «R02» xotira katagi ko'rinadi (2-bandda aytilgan).
4. Hammasi bo'lib 99 trekni xotiraga kiritish mumkin, xotira kataklari to'lganidan keyin displeyda «FUL» yozuvi ko'rinadi.
5. Dasturga kiritilgan treklarni navbati bilan o'qishi uchun (11) tugmasini bosib.
6. Dasturga kiritilgan tartibda o'qishni bekor qilish uchun (5) ■ tugmasini bosib, disk solinadigan bo'lma qopqog'ini (7) oching yoki (2) **FUNCTION** murvatini boshqa holatga o'tkazib qo'ying.

NOSOZLIKLARNI TOPISH VA TUZATISH

Nosozlik va shovqin sababi ko'pincha noto'g'ri foydalanish bo'ladi. Agar biror jihozning biror joyi nosoz, deb o'ylasangiz, quyidagi jadval bilan solishtirib nosozlik sababini bilishga harakat qilib ko'ring.

Agar nosozlikni tuzataolmasangiz yaqinroqdagi vakolatli xizmat markaziga olib boring.

Nosozlik	Bo'lishi mumkin bo'lgan sababi	Tuzatish
Radio		
FM yoki AM diapazonlarida radio eshitganda shovqin eshitilayapti	Stansiya to'g'rilanmagan	Stansiyani to'g'rilang
	FM diapazoni: antenna chiqarilmagan	Antennani chiqaring
	AM diapazoni: jihoz to'liqin qabul uzatadigan tomonga qaratilgan	Jihozni joyida aylantirib ko'ring.
Magnitola FM yoki AM diapazonlarida eshittirmayapti	FUNCTION murvati RADIO tomonga o'tkazilmagan	FUNCTION murvatini RADIO tomonga o'tkazing.
	Ovozi past	Ovozini ko'taring
Disk		
Disk o'qilmayapti	FUNCTION murvati CD tomonga o'tkazilmagan	FUNCTION murvatini CD tomonga o'tkazing
	Disk qo'yilmagan yoki noto'g'ri qo'yilgan	Disk to'g'ri qo'yilganini tekshirib ko'ring, disk yorlig'i yuqoriga qilib qo'yilishi kerak

ЎЗБЕК

Ba'zi treklar o'qilmayapti	Disk tiralgan yoki kir bo'lgan	Diskni yumshoq mato bilan artib oling, shikastlangan disklarni ishlatmang
Disk qo'yilgan, lekin treklar o'qilmayapti	Disk noto'g'ri qo'yilgan	Disk to'g'ri qo'yilganini tekshirib ko'ring, disk yorlig'i yuqoriga qilib qo'yilishi kerak
	Disk tiralgan yoki kir bo'lgan	Diskni yumshoq mato bilan artib oling, shikastlangan disklarni ishlatmang
	Disk formati to'g'ri kelmaydi	Formati to'g'ri keladigan disklarni ishlatmang

Texnik xususiyatlari

Ta'minoti	AC 220-240 V, ~50 Hz / 8 dona 1,5 V lik batareyalar UM-2 (R-14 yoki C)
Chiqish quvvati	2 x 1,2 W
Chastotalar diapazoni	AM: 522 - 1620 kHz FM: 64 - 108 MHz
Diskni yuklash	Tepadan

Ishlab chiqaruvchi oldindan ogohlantirmasdan jihoz xususiyatlarini o'zgartirish huquqini saqlab qoladi.

Buyumning xizmat qilishining muddati - 3 yil

Kafolat shartlari

Ushbu jihozga kafolat berish masalasida hududiy diler yoki ushbu jihoz xarid qilingan kompaniyaga murojaat qiling. Kassa cheki yoki xaridni tasdiqlaydigan boshqa bir moliyaviy hujjat kafolat xizmatini berish sharti hisoblanadi.

Ushbu jihoz 89/336 YAES Ko'rsatmasi asosida belgilangan va Quvvat kuchini belgilash Qonunida (73/23 YAES) aytilgan YAXS talablariga muvofiq keladi.

GB

A production date of the item is indicated in the serial number on the technical data plate. A serial number is an eleven-unit number, with the first four figures indicating the production date. For example, serial number 0606xxxxxxx means that the item was manufactured in June (the sixth month) 2006.

RUS

Дата производства изделия указана в серийном номере на табличке с техническими данными. Серийный номер представляет собой одиннадцатизначное число, первые четыре цифры которого обозначают дату производства. Например, серийный номер 0606xxxxxxx означает, что изделие было произведено в июне (шестой месяц) 2006 года.

UA

Дата виробництва виробу вказана в серійному номері на табличці з технічними даними. Серійний номер представляє собою одинадцятизначне число, перші чотири цифри якого означають дату виробництва. Наприклад, серійний номер 0606xxxxxxx означає, що виріб був виготовлений в червні (шостий місяць) 2006 року.

KZ

Бұйымның шығарылған мерзімі техникалық деректері бар кестедегі сериялық нөмірде көрсетілген. Сериялық нөмір он бір саннан тұрады, оның бірінші төрт саны шығару мерзімін білдіреді. Мысалы, сериялық нөмір 0606xxxxxxx болса, бұл бұйым 2006 жылдың маусым айында (алтыншы ай) жасалғанын білдіреді.

US

Mahsulot ishlab chiqarilgan muddat texnik xususiyatlari yozilgan yorliqdagi seriya raqamida ko'rsatilgan. Seriya raqami o'n bitta raqamdan iborat bo'ladi, birinchi to'rtta son ishlab chiqarilgan sanani bildiradi. Misol uchun, seriya raqami 0606xxxxxxx bo'lsa, mahsulot iyun (oltinchi oy) 2006 yili ishlab chiqarilgan bo'ladi.

