

bill of materials

- x2  x2  x3 
- x8  x7  x4  x4 
- x16  x2 
- x18  x3 
- x4  x2 
- x21  x4 
- x10  x2 
- x24 
- x9  x16 
- x4  x14 

awards  
récompenses  
auszeichnungen  
premi  
premios  
награды



Engino.net Ltd  
P.O.Box 71040  
3840 Limassol, Cyprus  
European Union  
Tel.: +357 25821960  
Fax: +357 25821961  
Email: info@engino.com  
Website: www.engino.com

© Copyright 2013 Engino.net Ltd. All Rights Reserved.



play to invent™



page 11



page 06



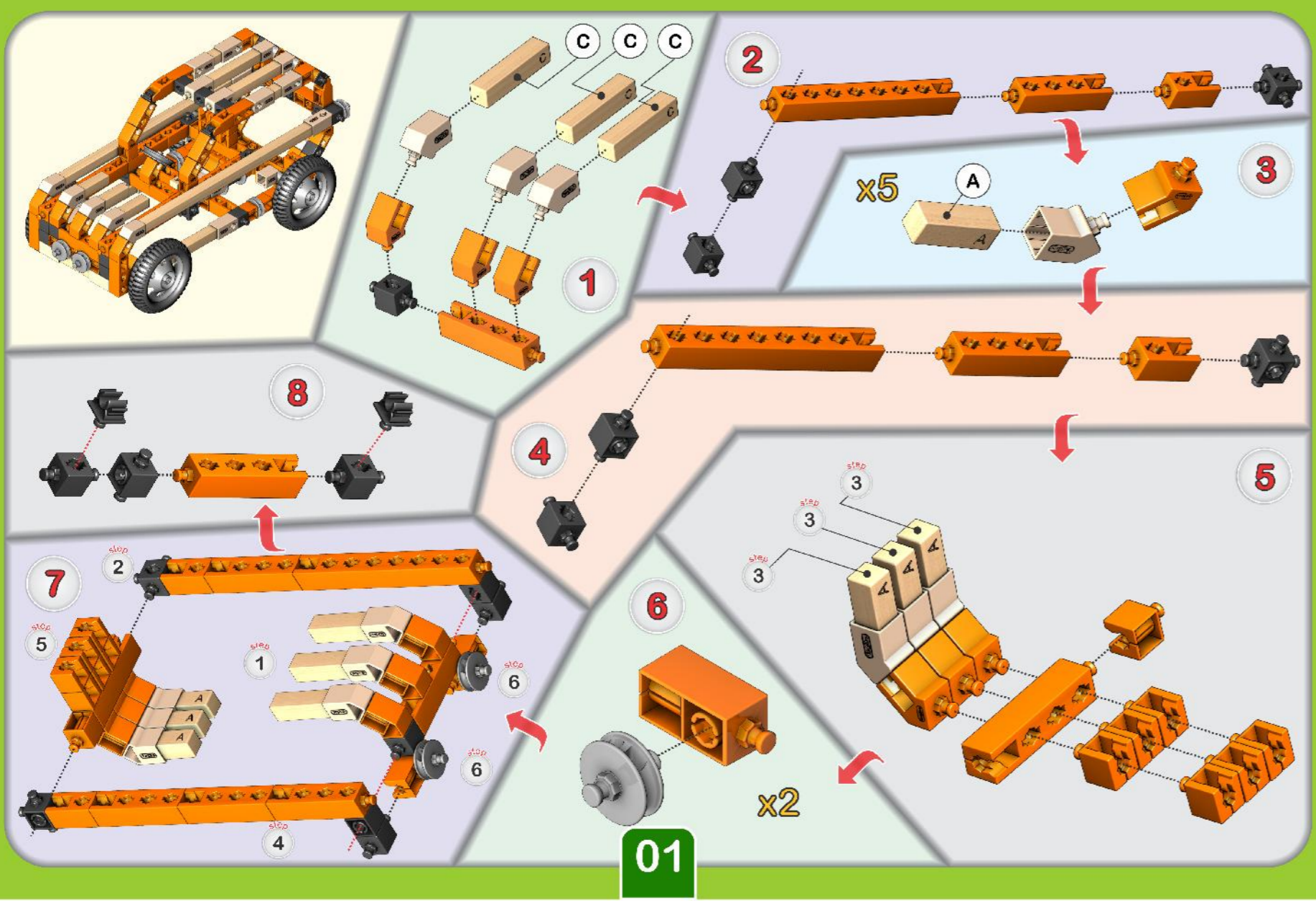
page 01

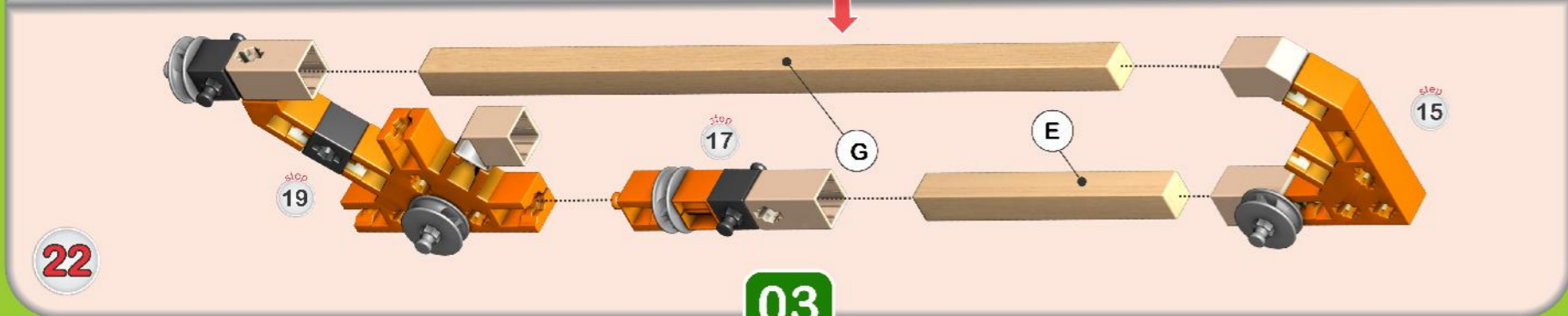
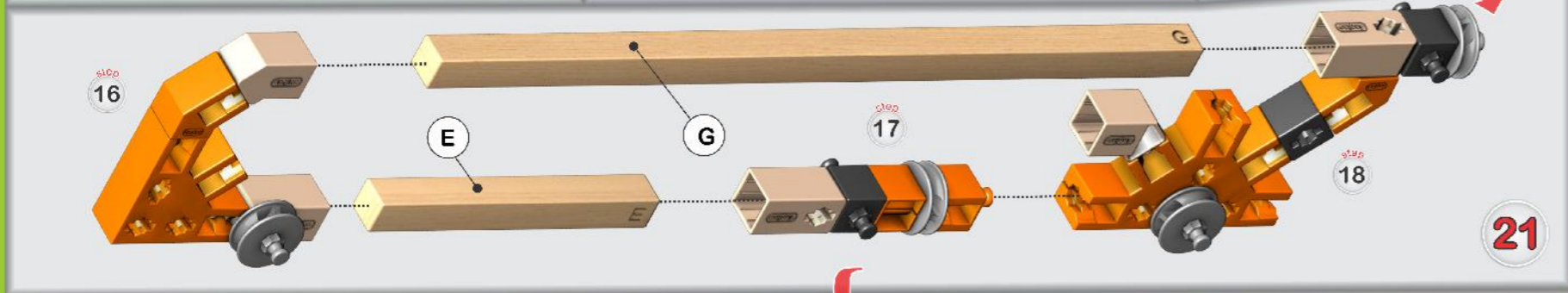
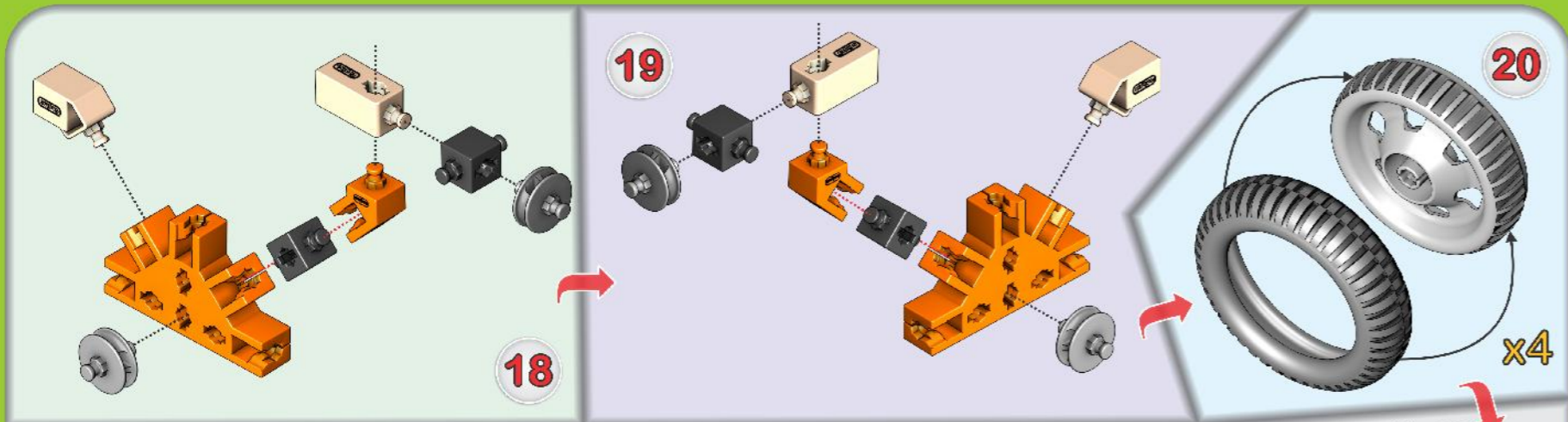


3

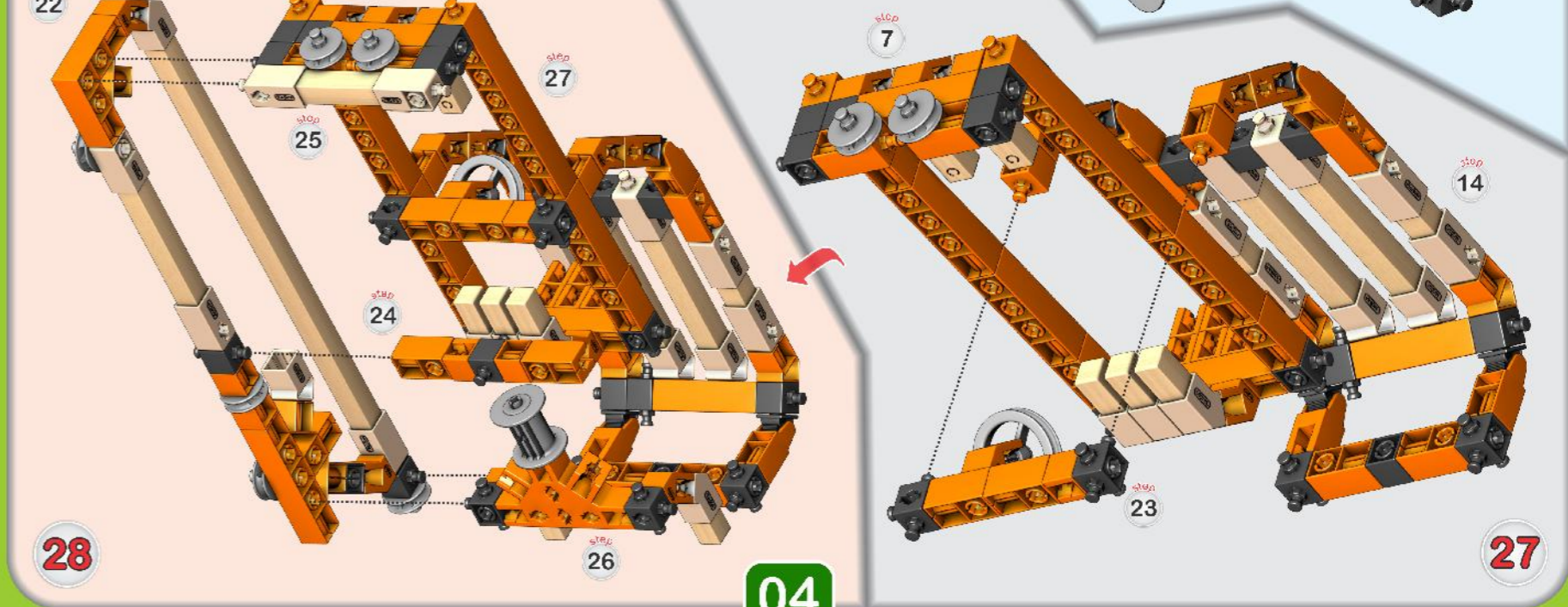
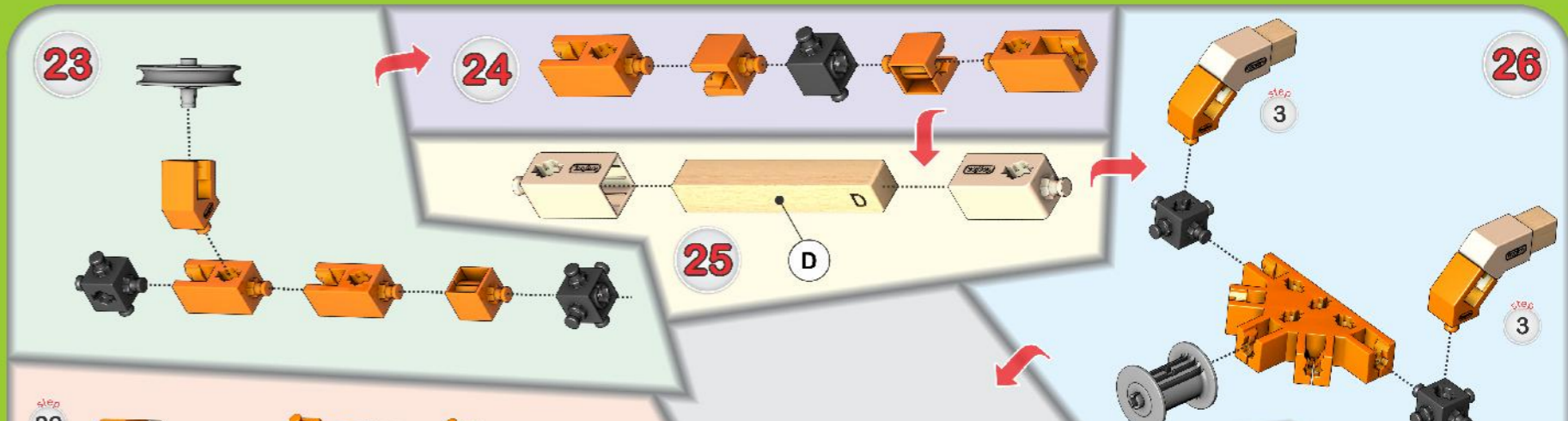
models modelli  
modèles modelos  
modelle модели

 5-13+





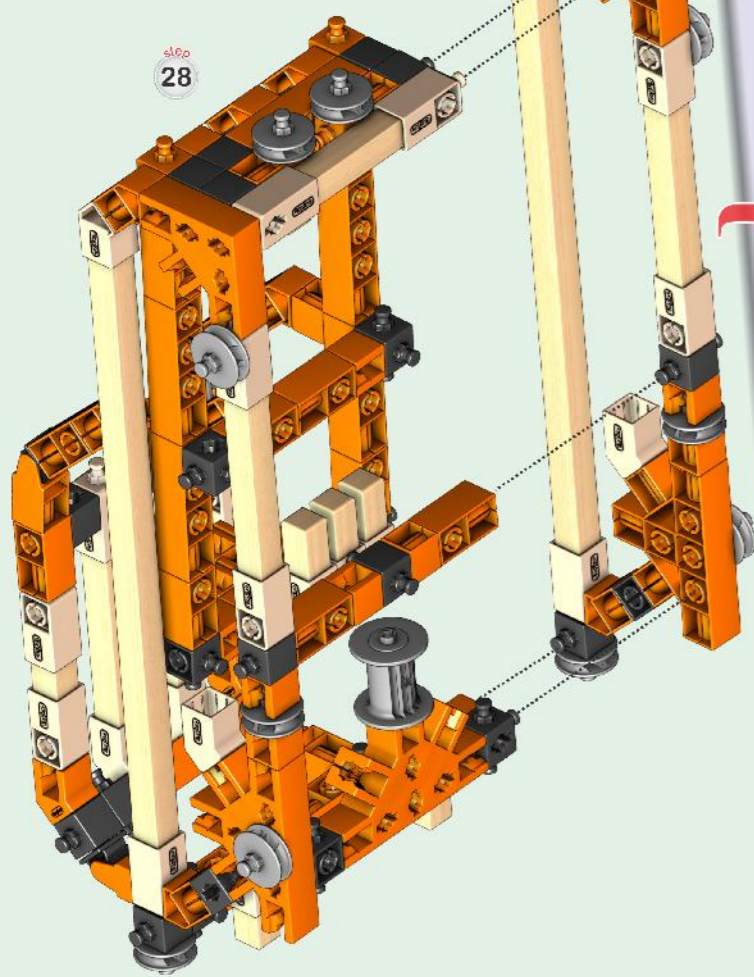
03



04

29

step 21

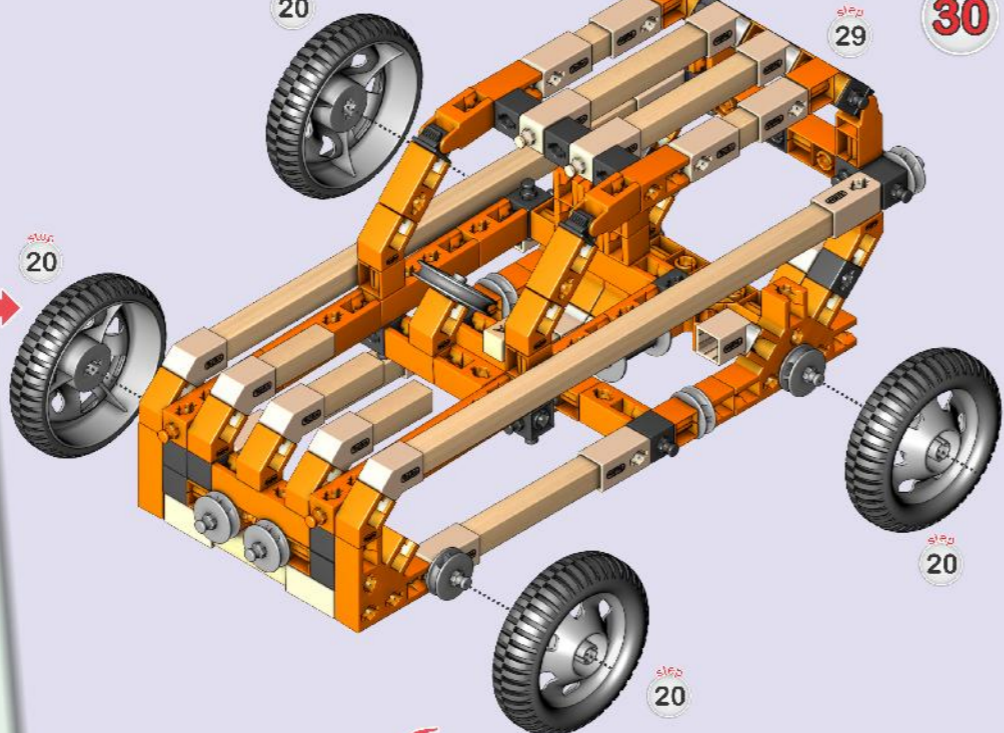


step 28

step 20

step 29

30



step 20

step 20

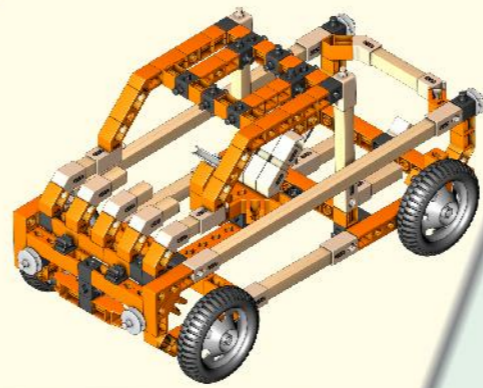
step 20

05

31



1



A

x3

2

step 1

step 1

3

5

E

x2

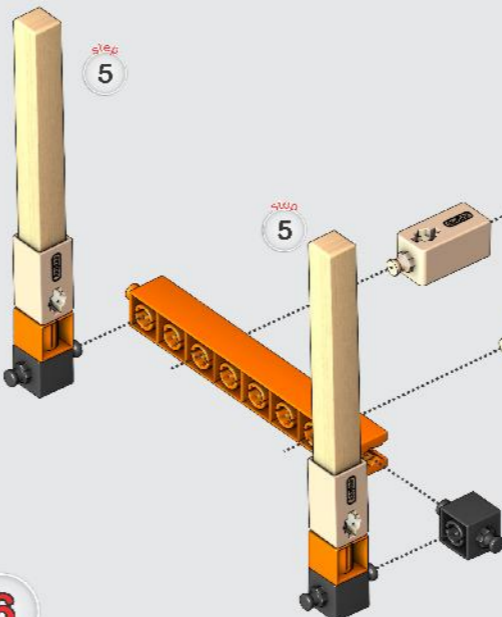
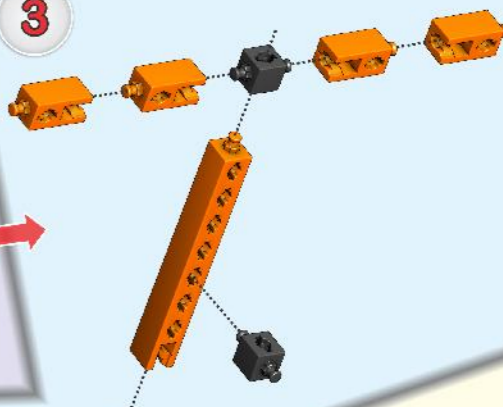
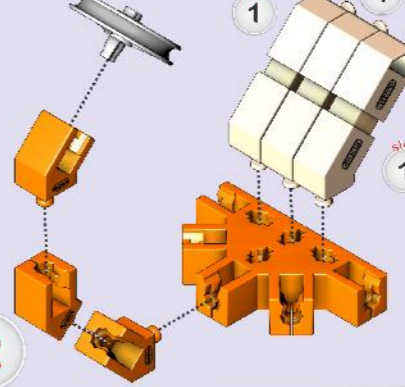
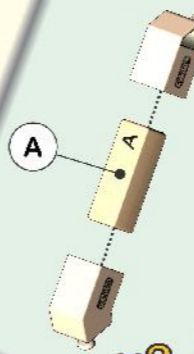
step 3

step 2

4

6

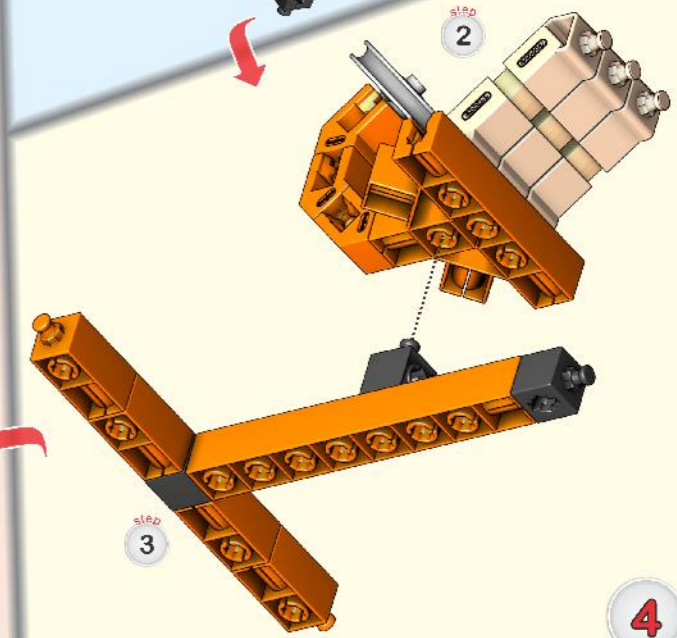
06

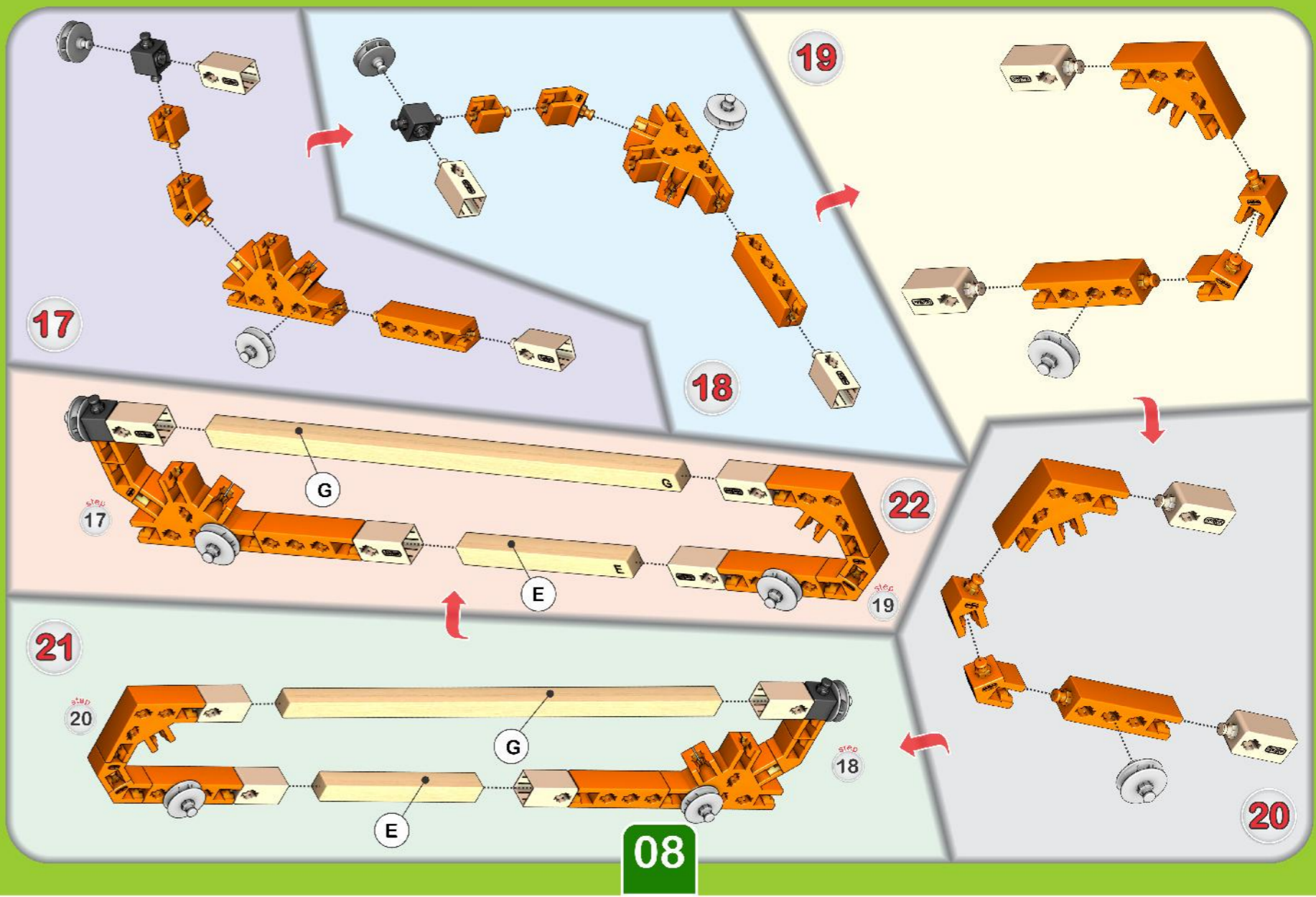


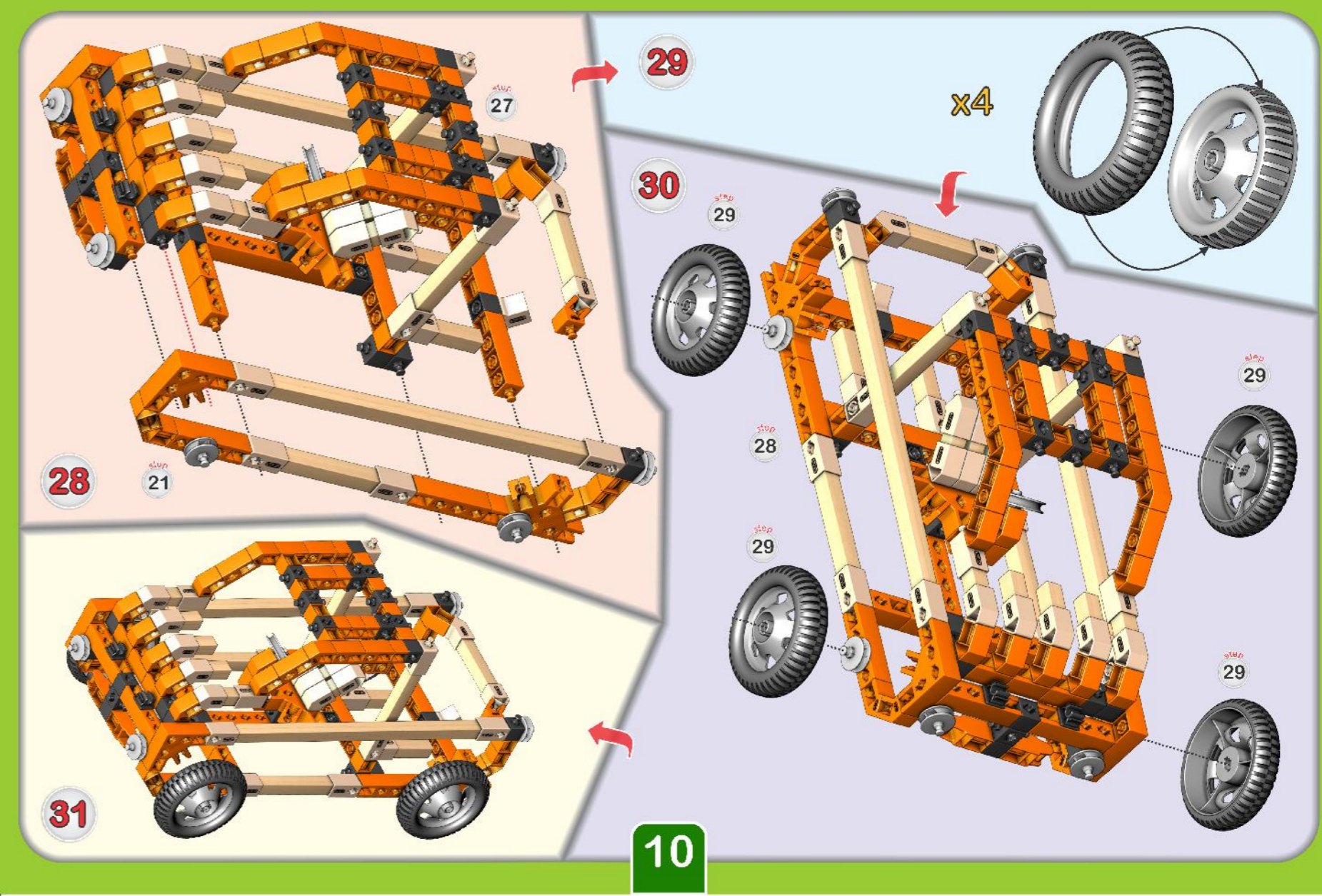
C

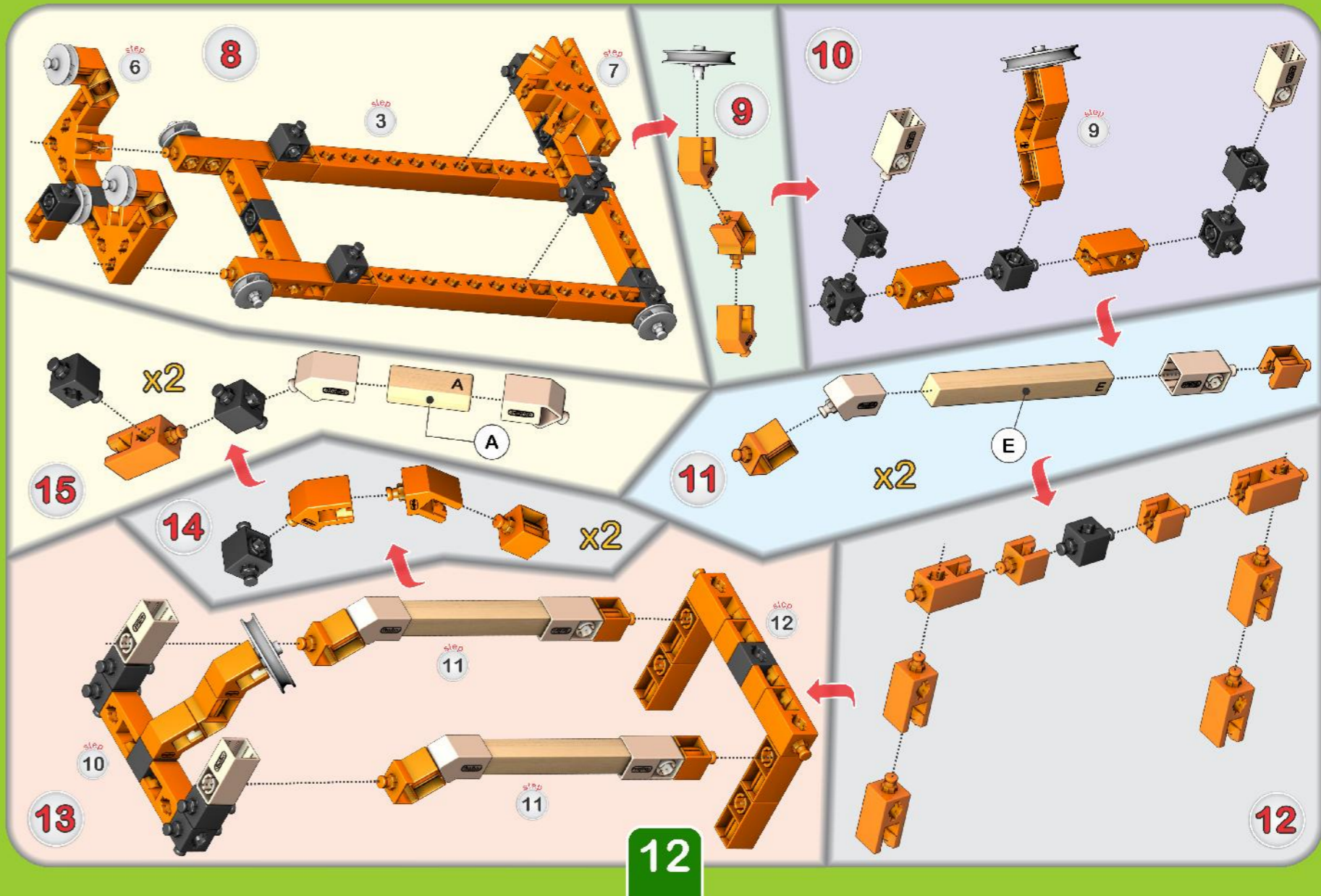
C

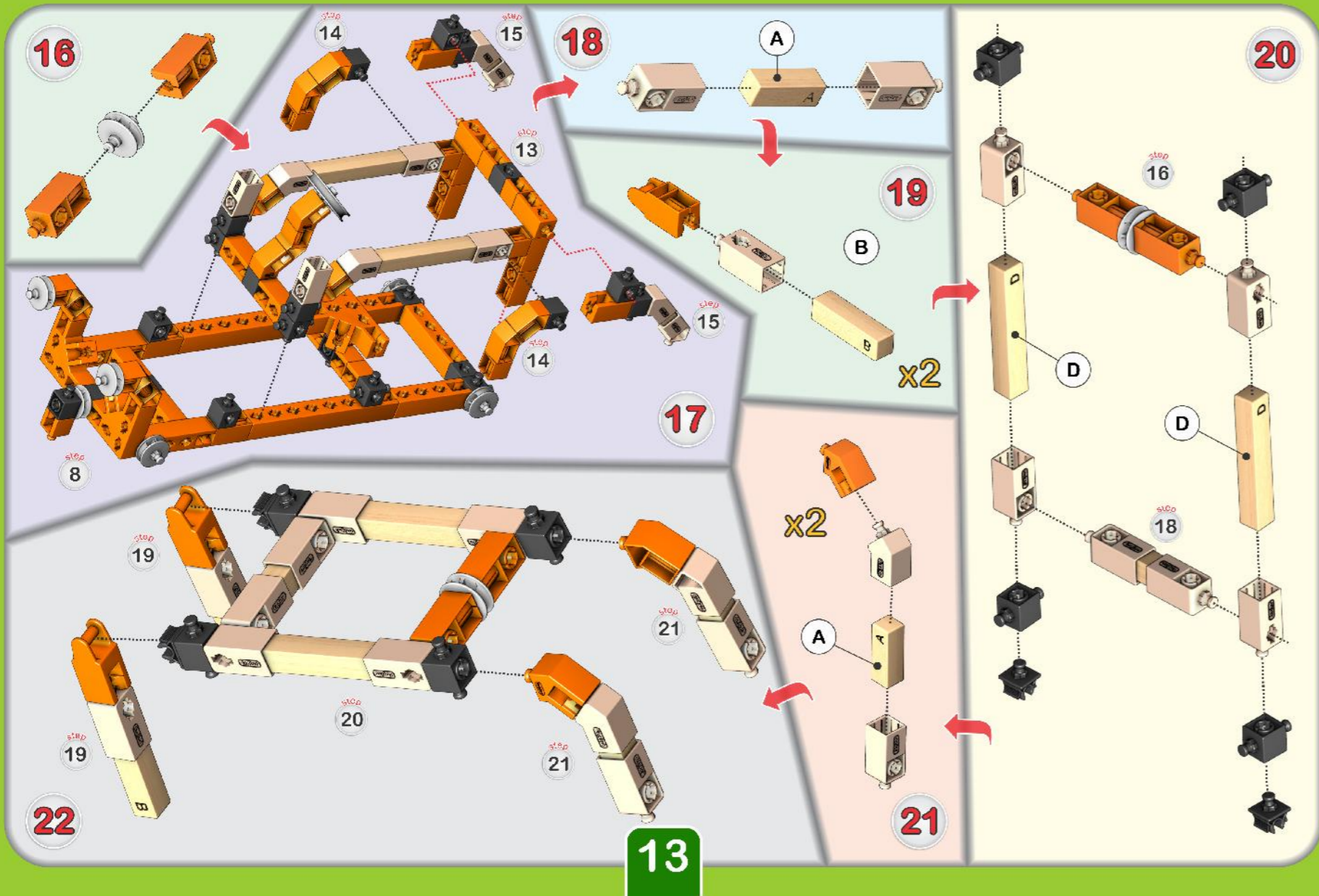
C



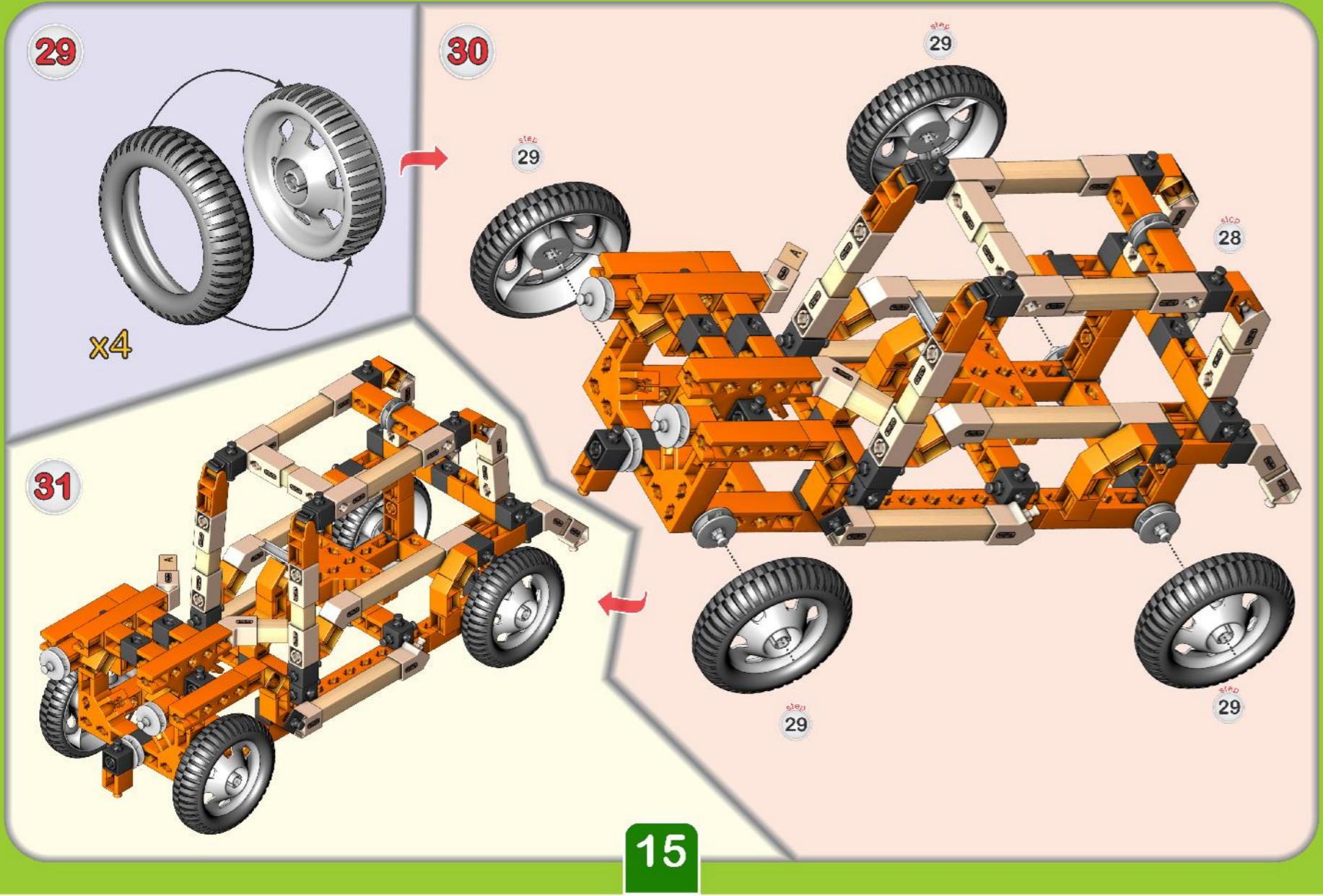












## eco cars

5+

3 models

Product code: EB10

## eco motorbikes

5+

3 models

Product code: EB11

16

# eco planes

5+ 

3   
models

Product code: **EB12**



# eco helicopters

5+ 

3   
models

Product code: **EB13**



17

# eco motorized racers

6+ 

3   
models

Product code: **EB70**



18