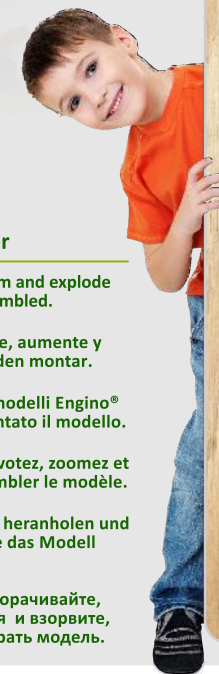
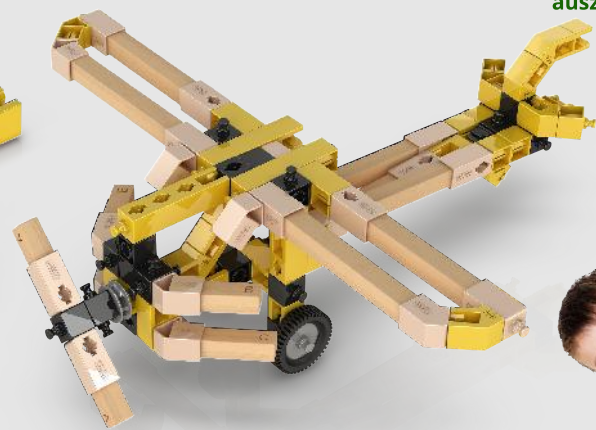


bill of materials

x9		x4		x3	
x15		x3		x2	
x3		x4			
x11		x4			
x3		x2			
x17					
x7		x13			
x2		x13			



awards
récompenses
auszeichnungen
premi
premios
награды

winner
CYPRUS
innovation award
MANUFACTURING SECTOR 2008

BEST PRACTICES SME
1st EUROPEAN
SME WEEK '09
SMALL BUSINESS. BIG IDEAS

CyEC
Cyprus Entrepreneurs Competition
2010
MARKET SUCCESS AWARD
University of Cyprus

TOY RUSSIA
ИГРУШКА
MOST INNOVATIVE TOY 2010

TILLWIG TOY AWARDS
BEST CREATIVE FUN
AWARD WINNER

Dr. Toy
10 BEST
Educational Toy
WINNER

Dr. Toy
Best Green
PRODUCT
WINNER

Engino® Models 3D Viewer

EN Load Engino® models, rotate, zoom and explode to see how the model can be assembled.

ES Cargue los modelos Engino®, rote, aumente y desmonte para ver cómo se pueden montar.

IT Carica, ruota, zooma e allarga i modelli Engino® per vedere come può essere montato il modello.

FR Chargez les modèles Engino®, pivotez, zoomez et éclatez pour voir comment assembler le modèle.

DE Engino®-Modelle laden, drehen, heranholen und bersten lassen, um zu sehen, wie das Modell zusammengebaut werden kann.

RU Загрузите модели Engino®, поворачивайте, меняйте масштаб изображения и взорвите, чтобы увидеть, как можно собрать модель.

GET IT ON
Google play

Available on the
App Store

© Copyright 2016 Engino.net Ltd. All Rights Reserved.

WARNING:
CHOKING HAZARD - Small parts.
Not for children under 3 yrs.

Engino.net Ltd
P.O.Box 72100, 4200 Limassol, Cyprus, European Union
Tel.: +357 25821960, Fax: +357 25821961
Email: info@engino.com, Website: www.engino.com

Engino
play to invent™



3 models modelli
modèles modelos
modelle модели

eco builds™

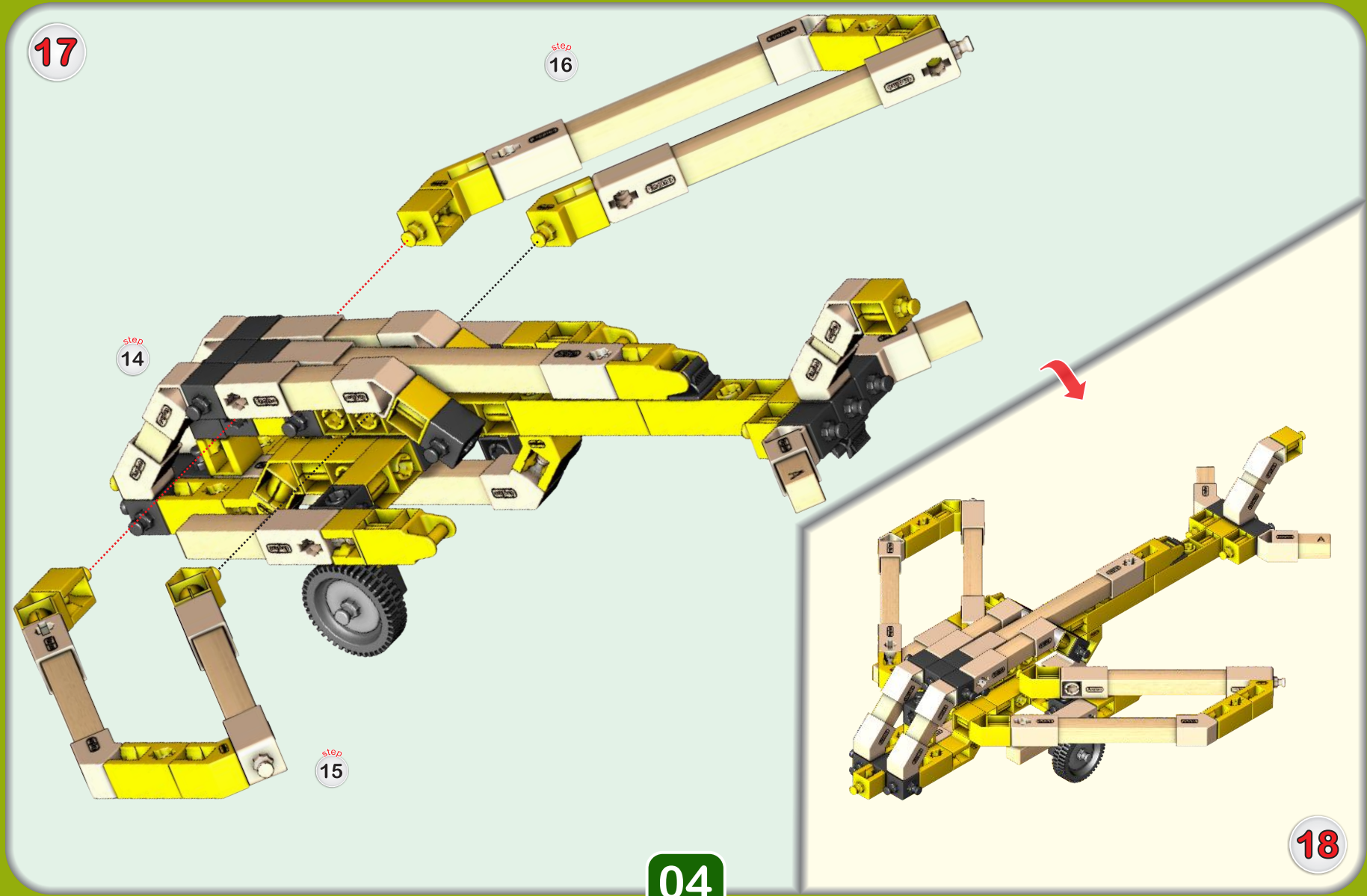
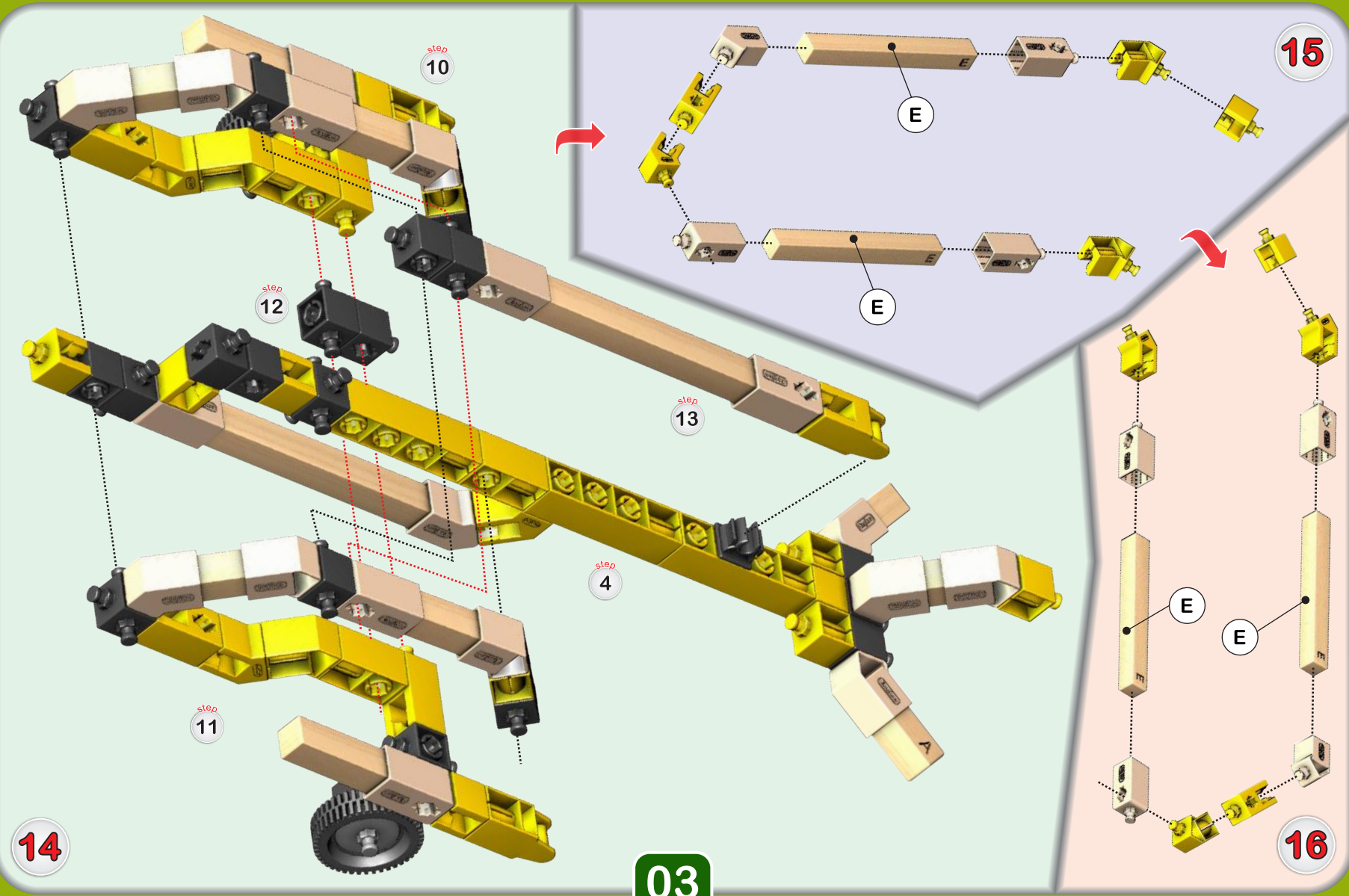
planes - avions - flugzeuge
aerei - aviones - самолеты

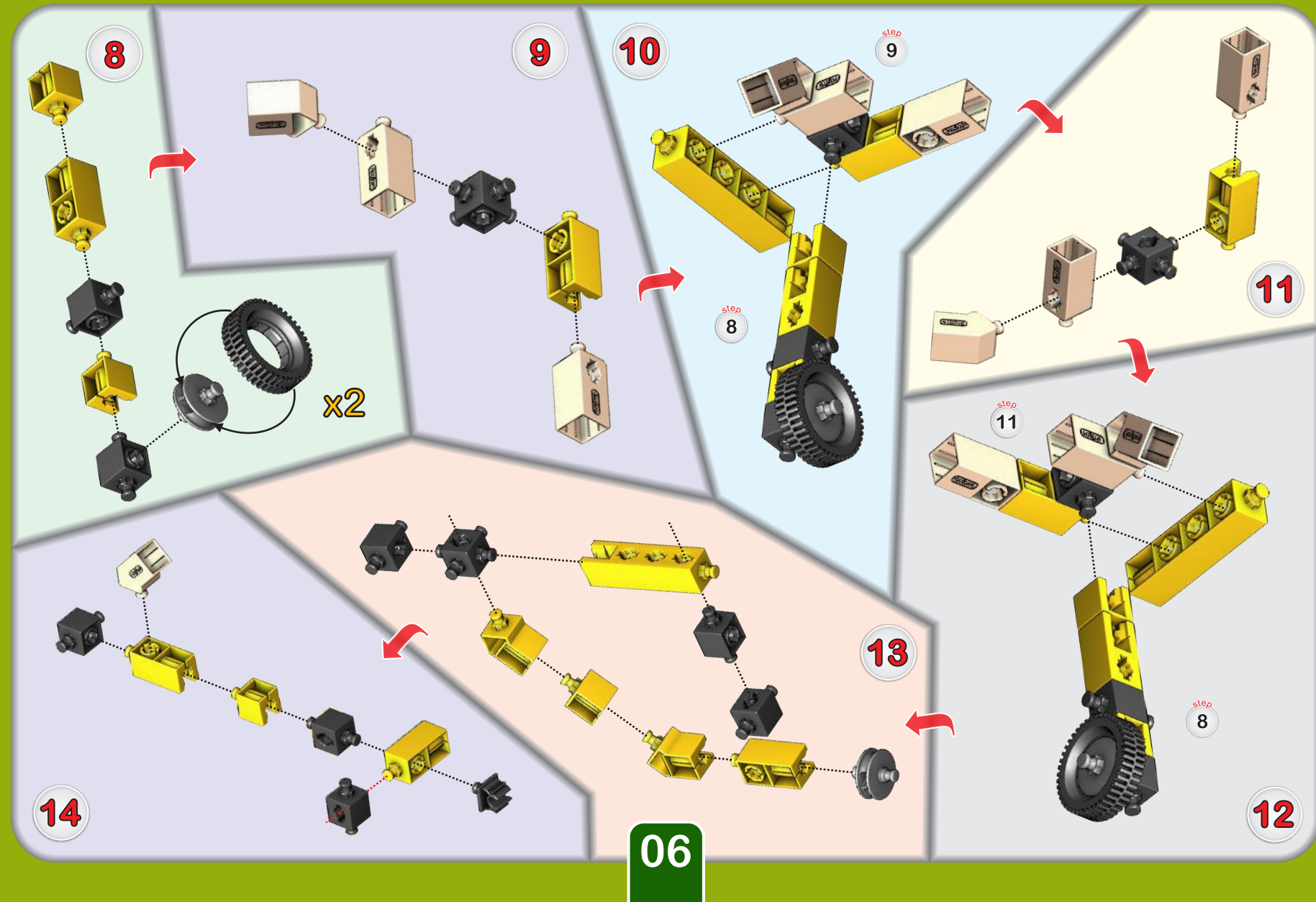
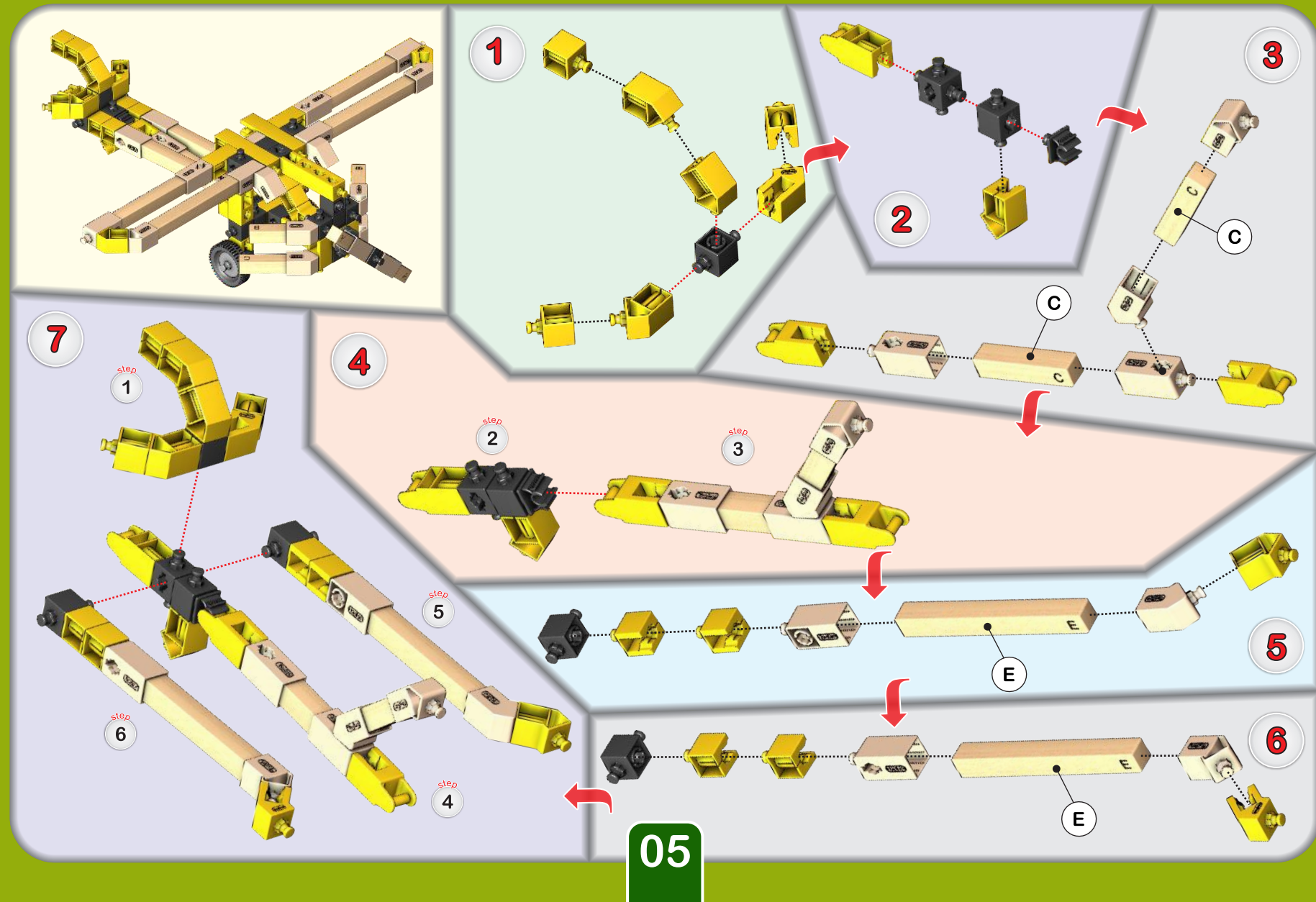


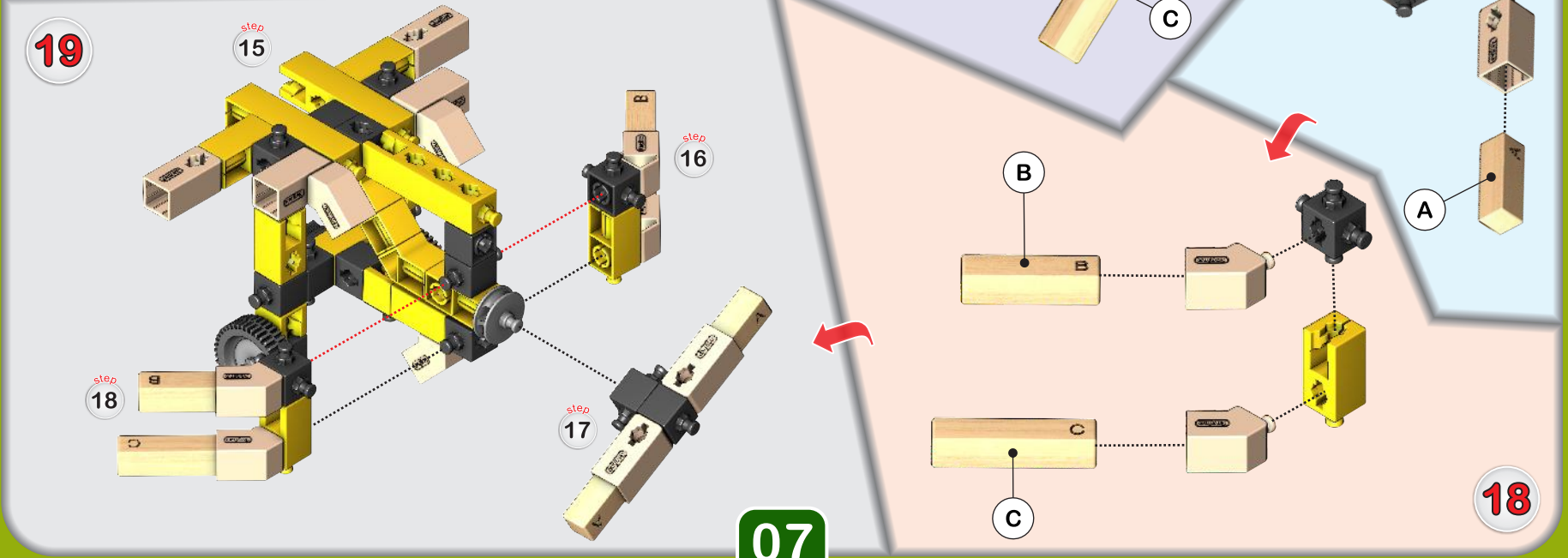
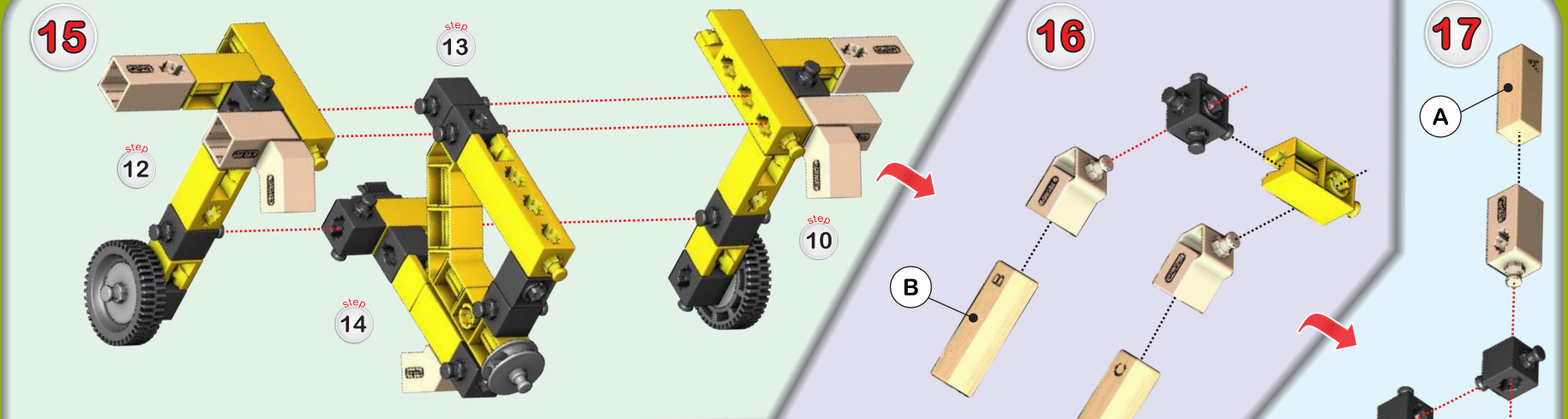
6-13+

+

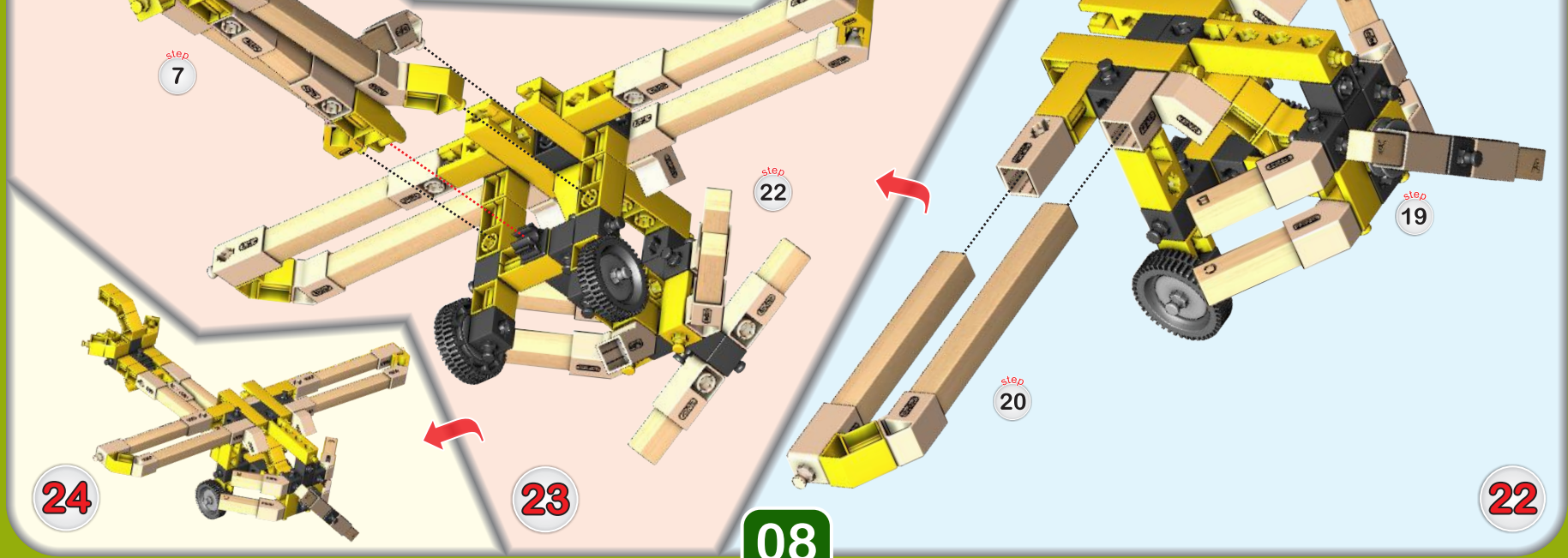
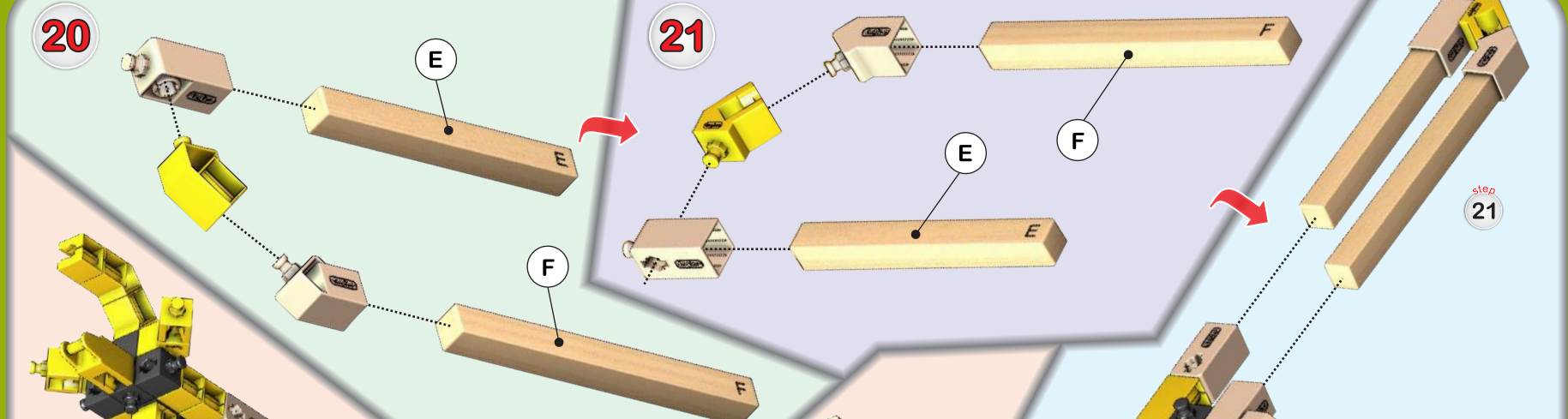
3D interactive instructions
to download on your smart device



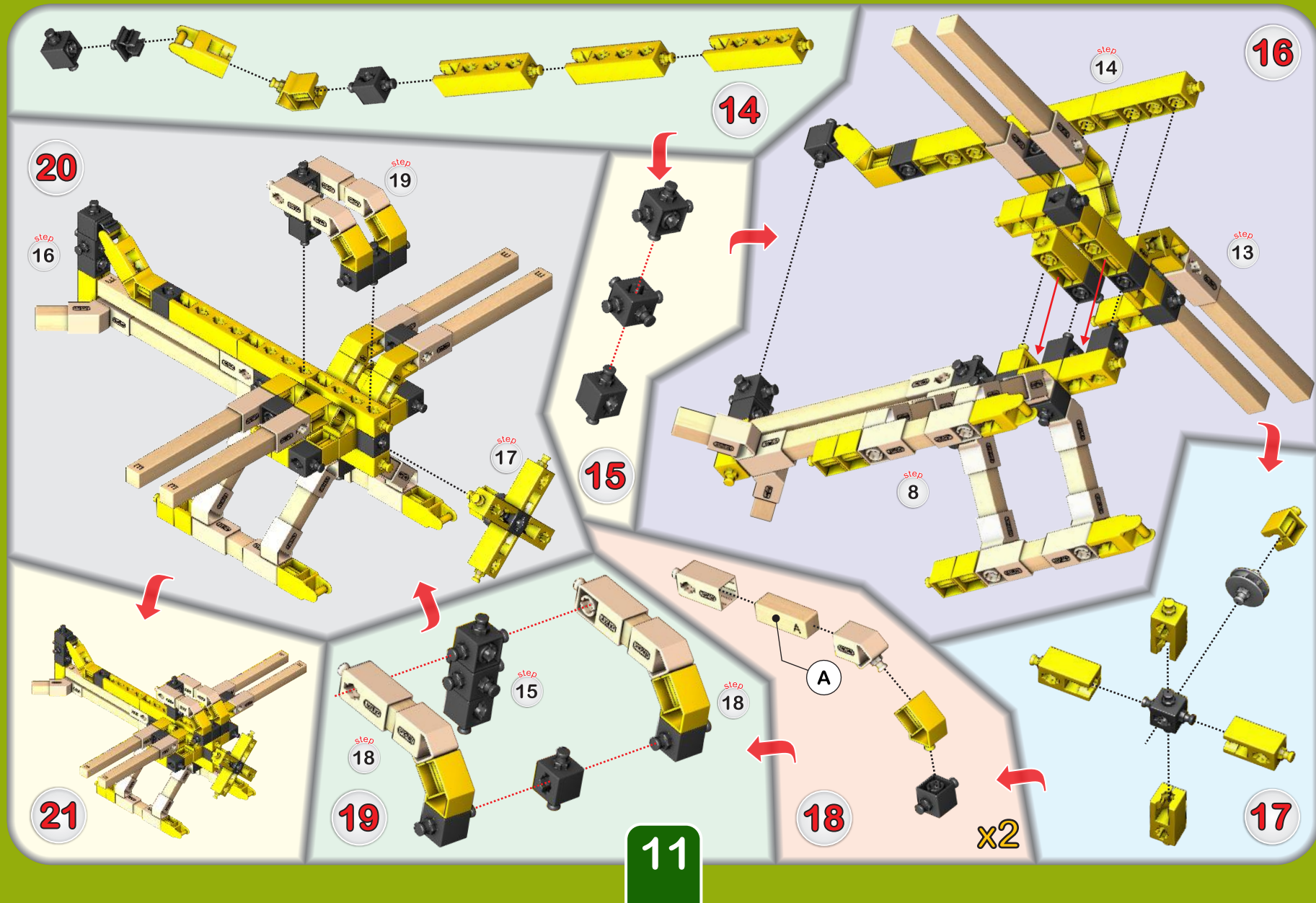




07



08



eco cars

5+ 

3  models

Product code: EB10

eco motorbikes

5+ 

3  models

Product code: EB11

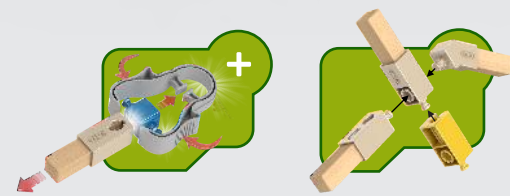


eco offroaders

6+ 

3 
models

Product code: **EB60**



13



eco motorized racers

6+ 

3 
models

Product code: **EB70**



14

