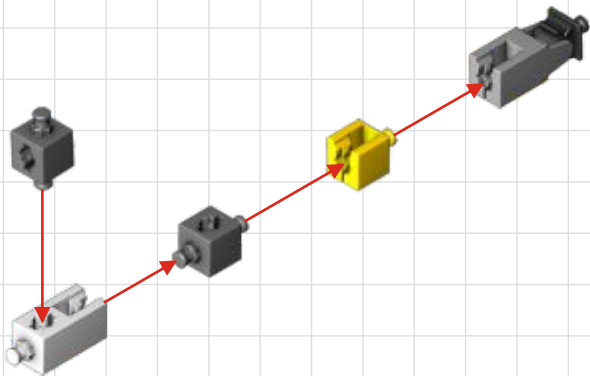
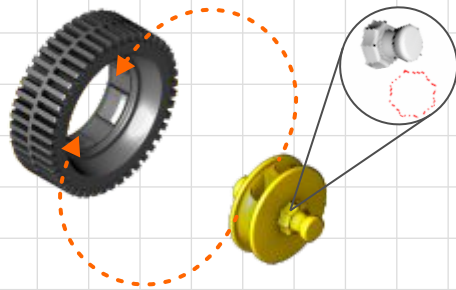
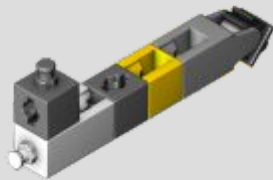


01

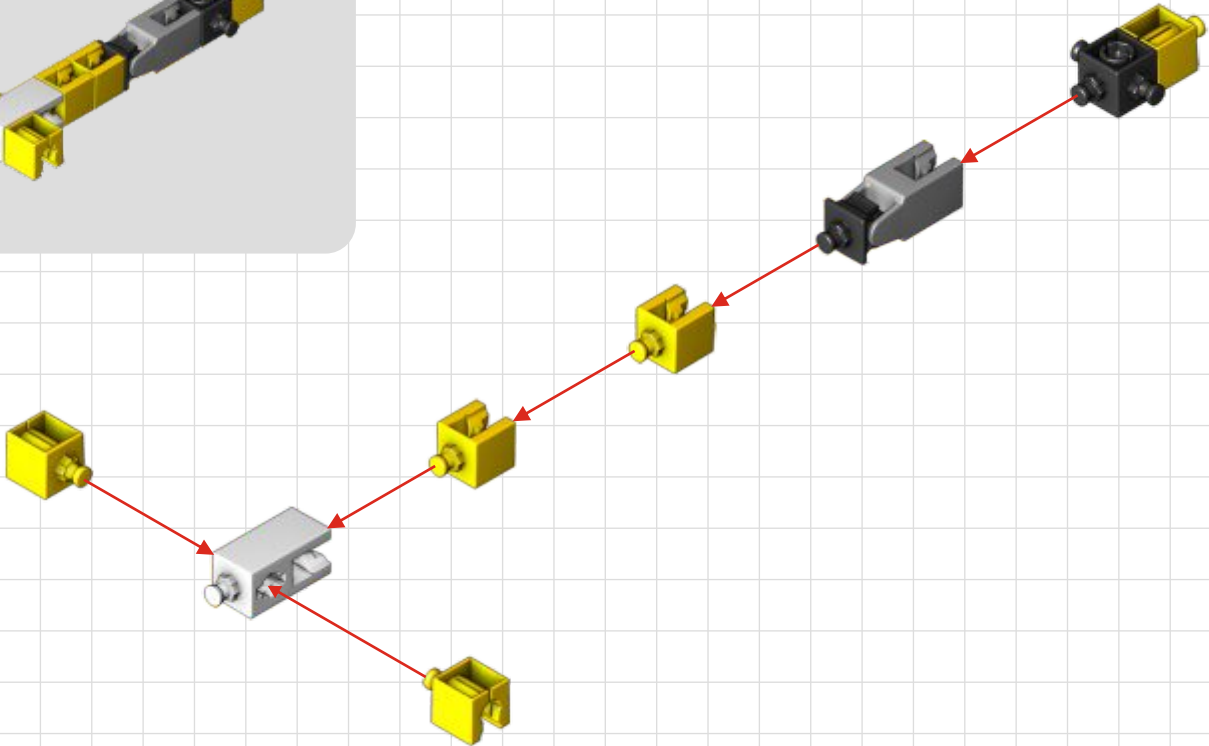
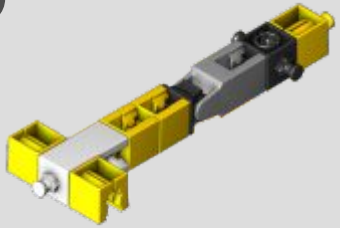
02 x4



03 x2

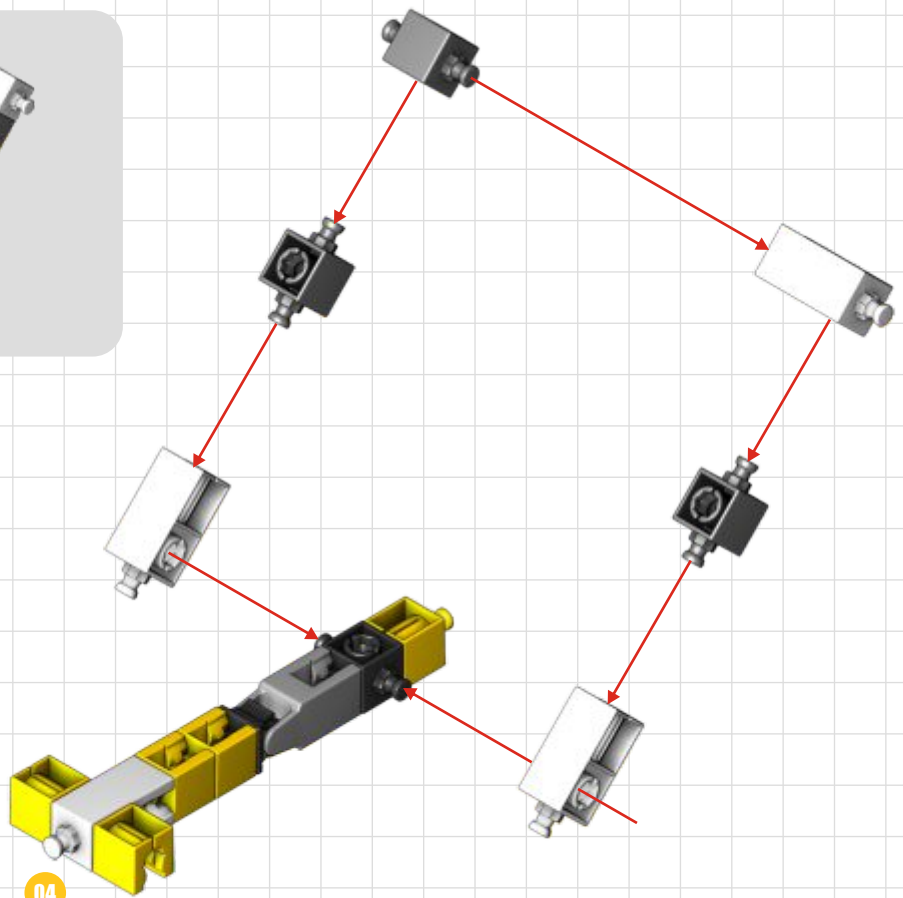
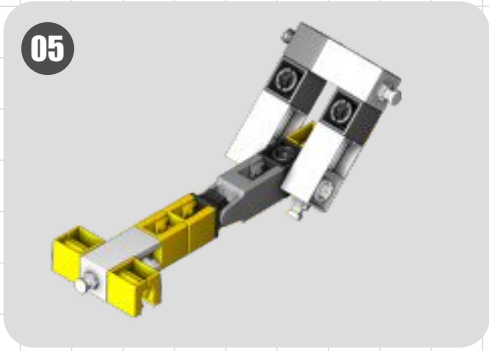


04



03

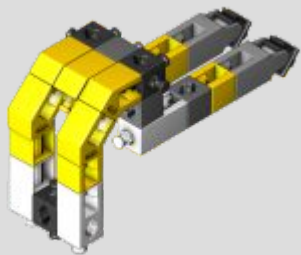
05



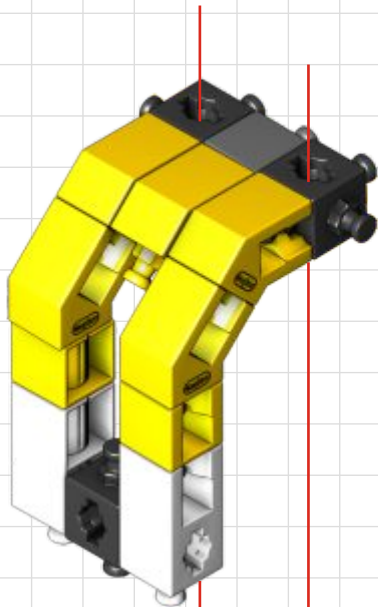
04

04

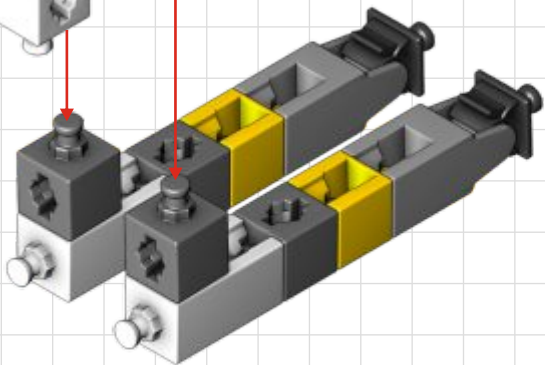
06



01

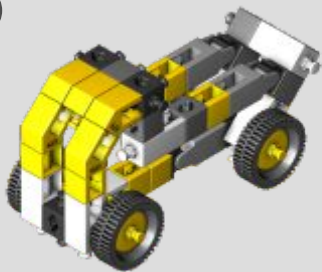


03

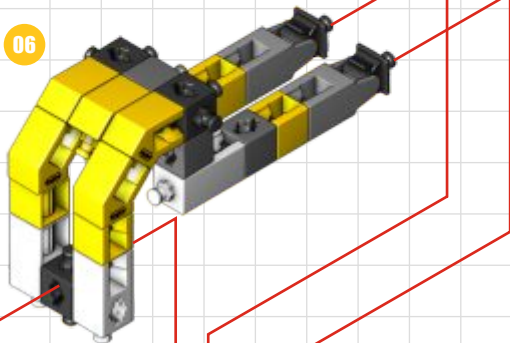


05

07



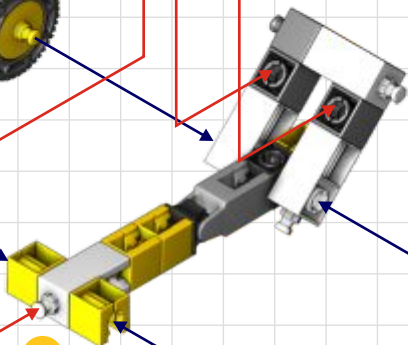
06



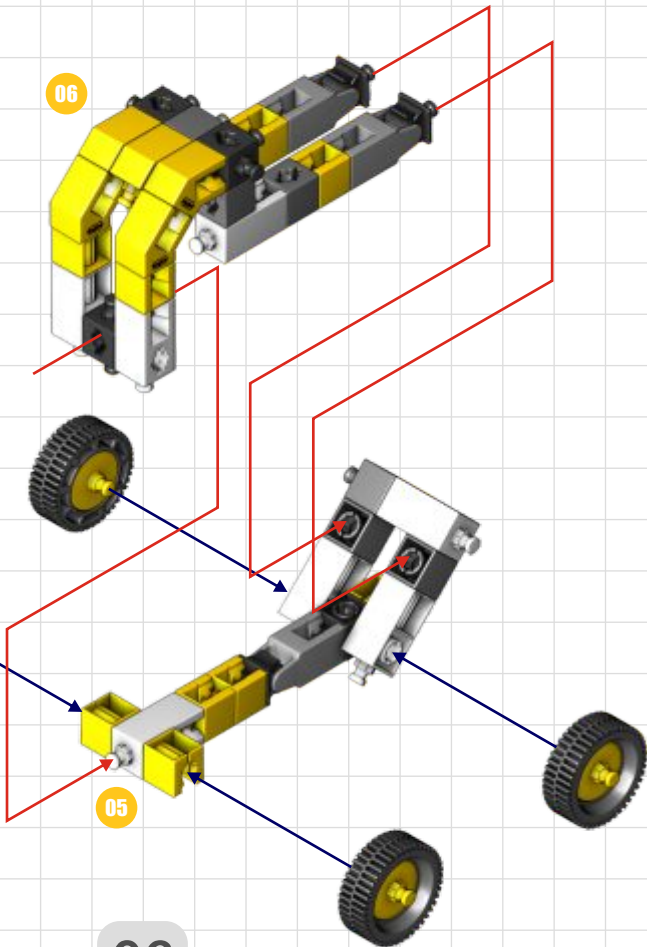
02

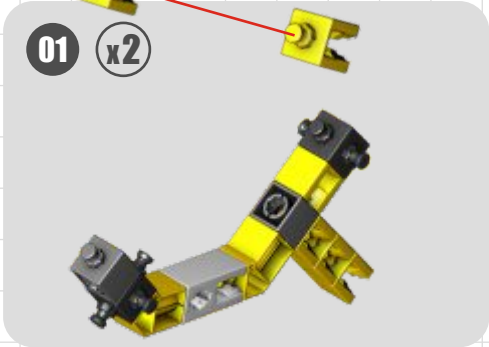
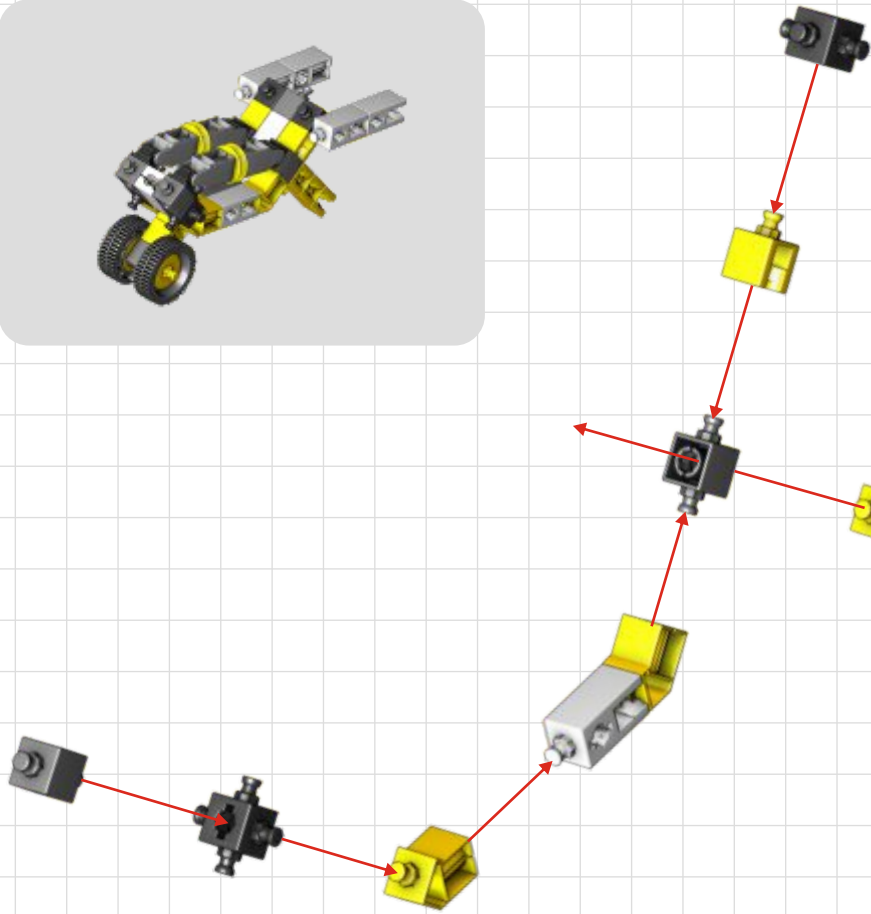


05

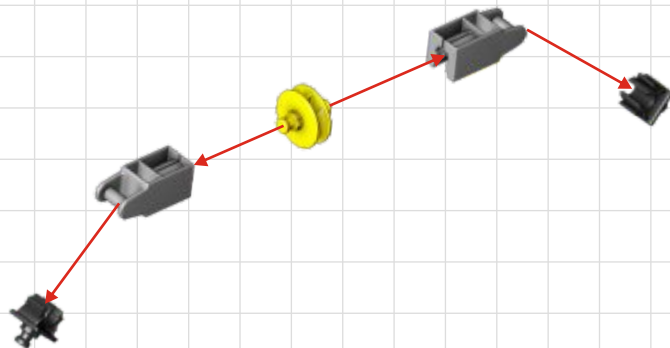


06

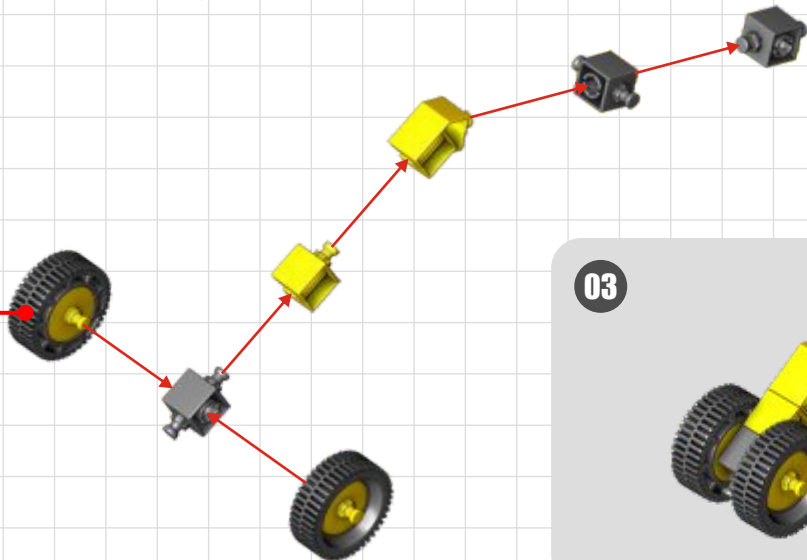
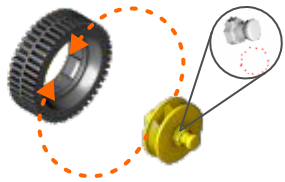




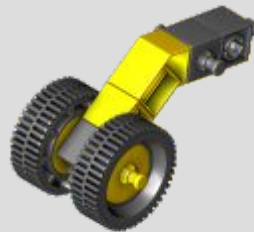
02 x2



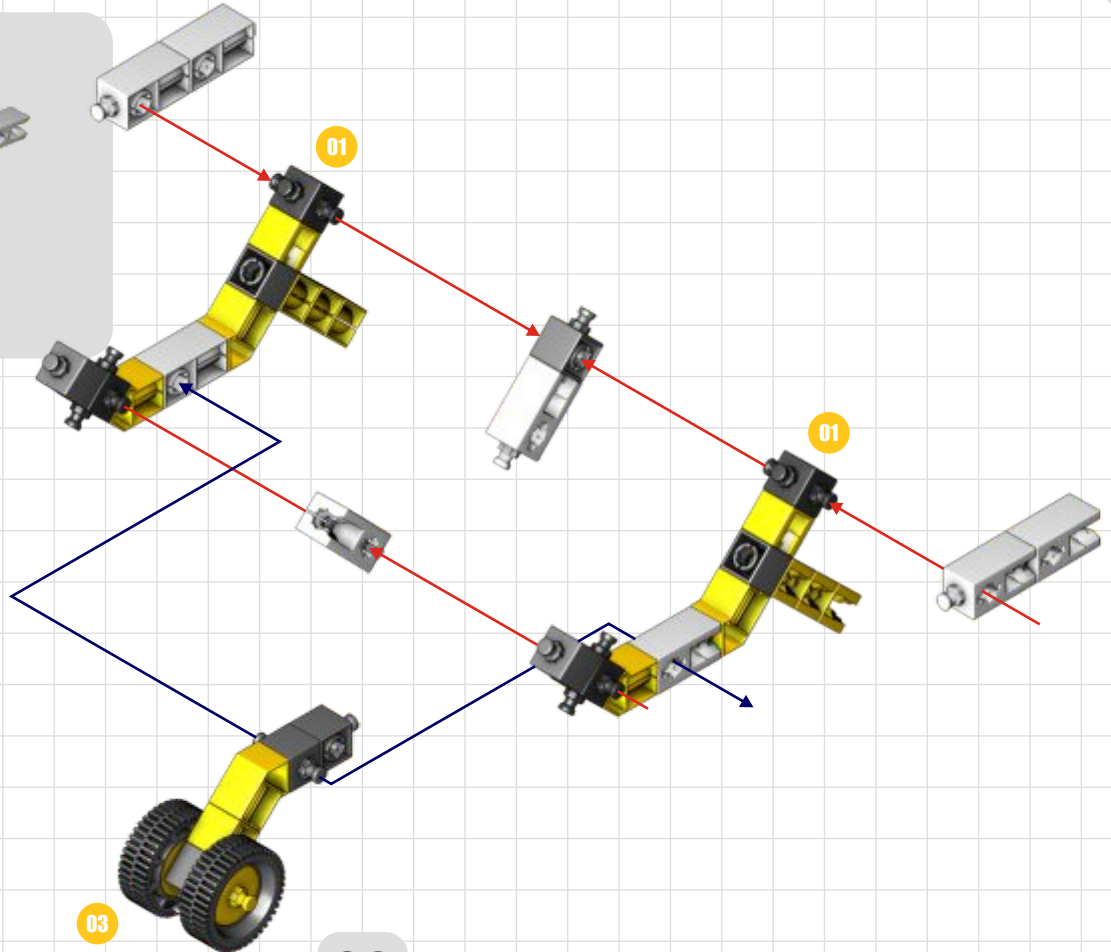
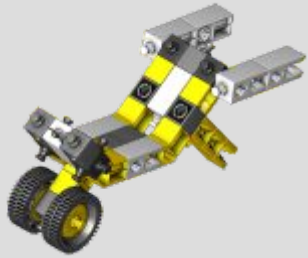
x2



03

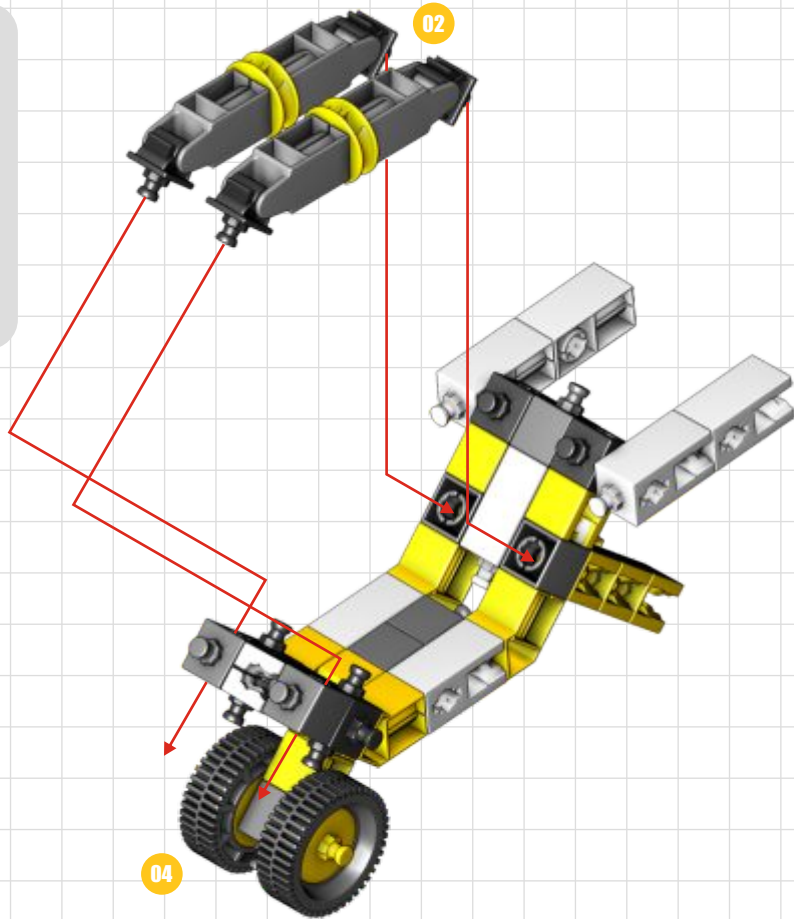


04



09

05





x2



x1



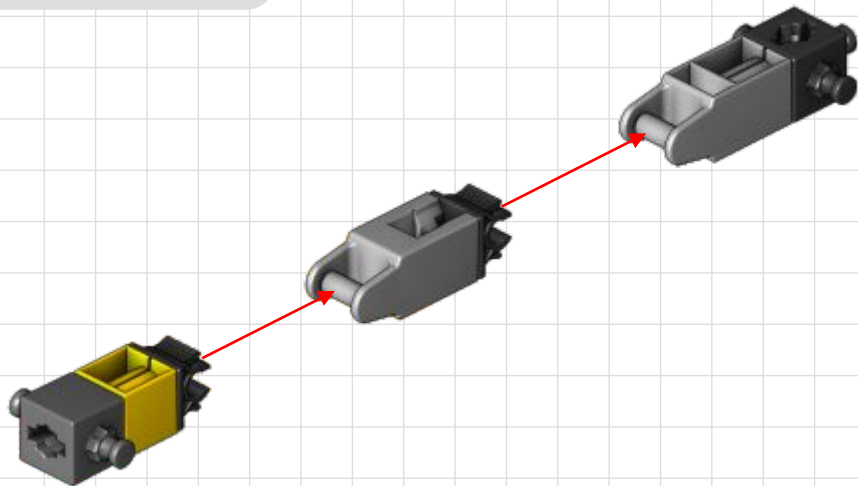
x1



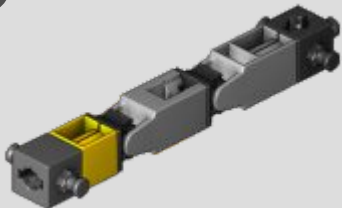
x1



x2



01





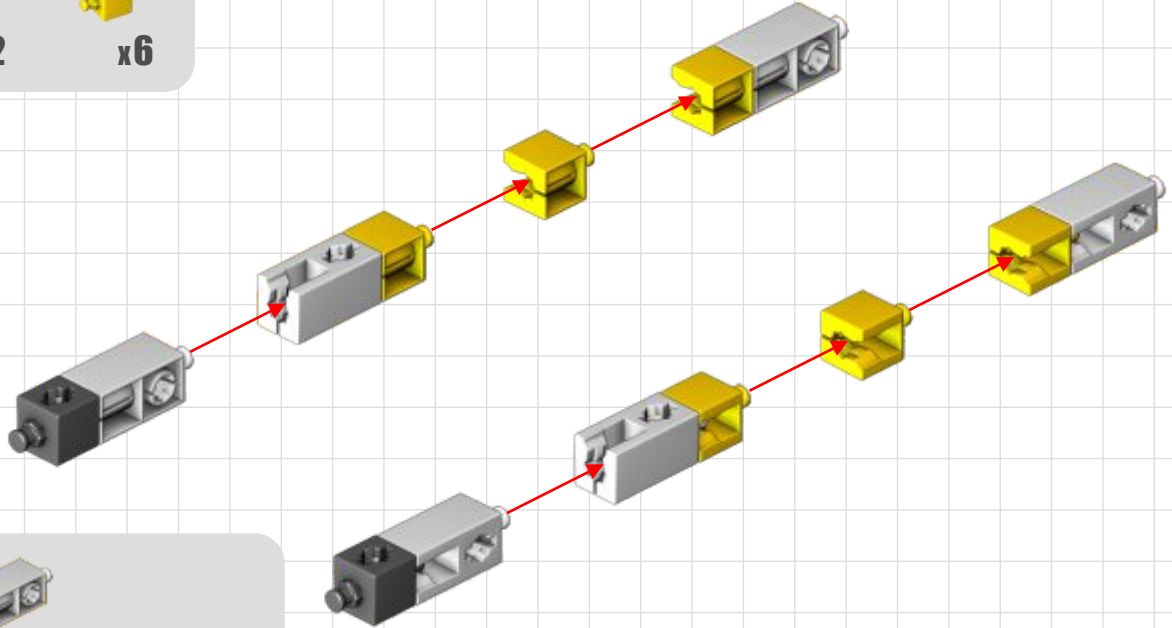
x6



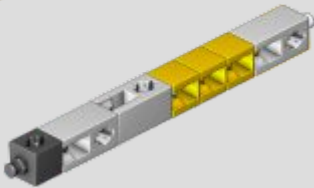
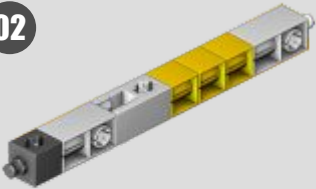
x2

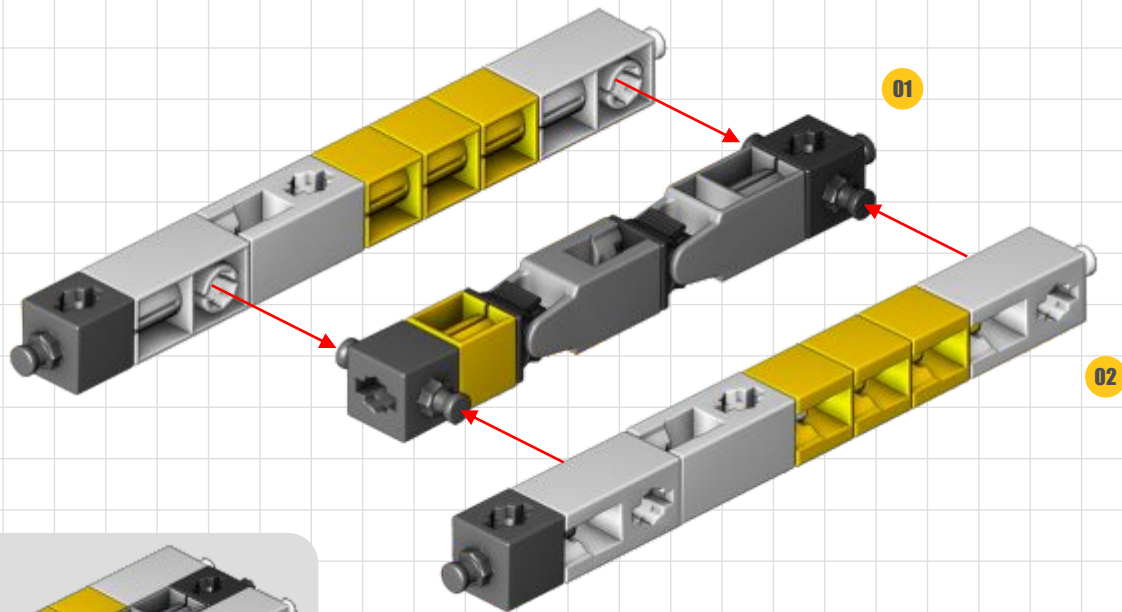


x6



02





03



x2



x2



x3



x4



x3

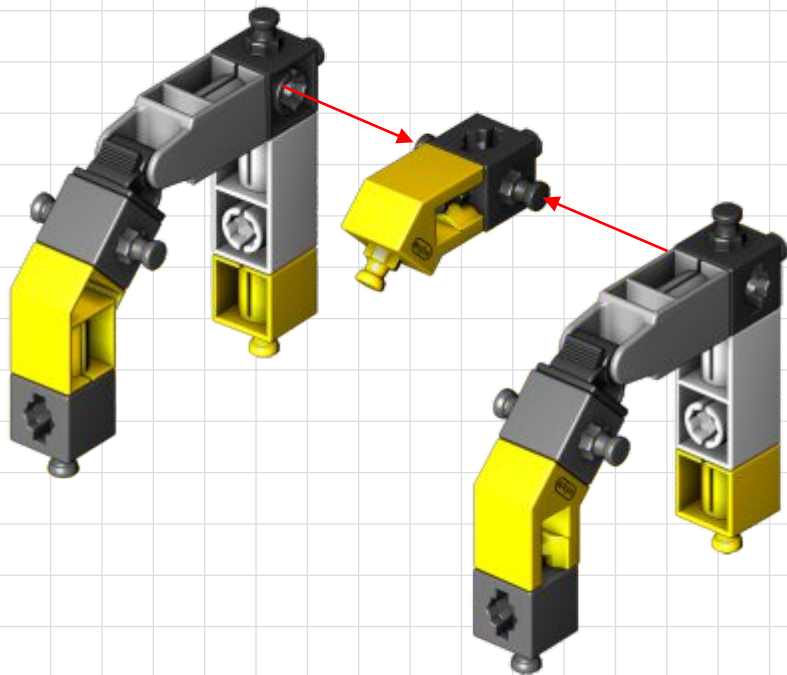
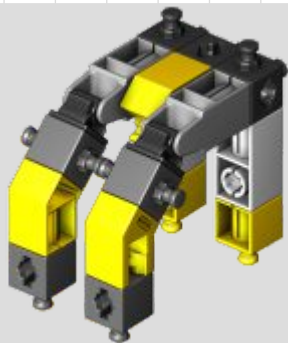


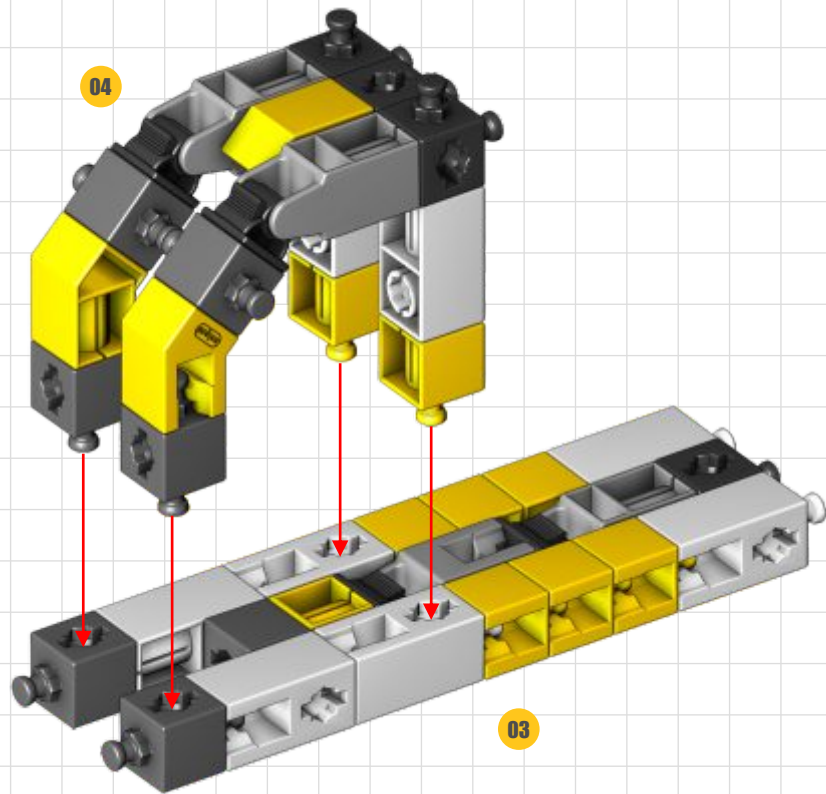
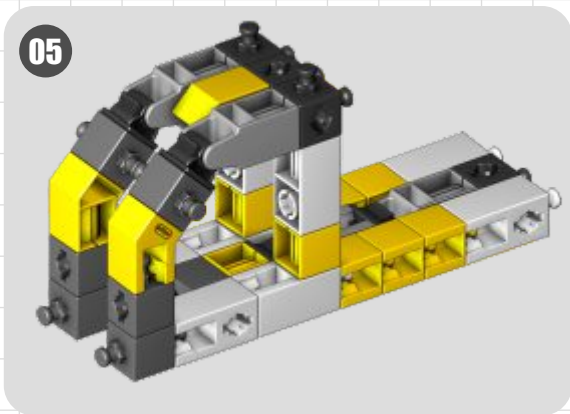
x2



x2

04





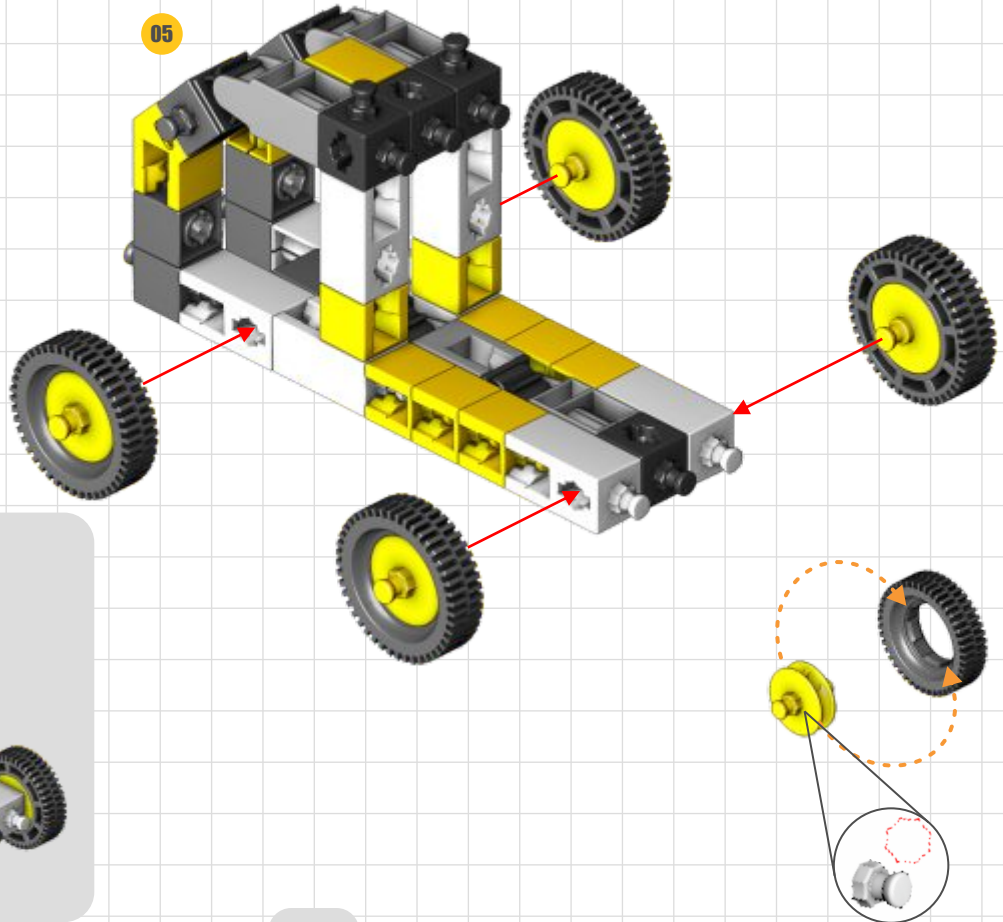


x4

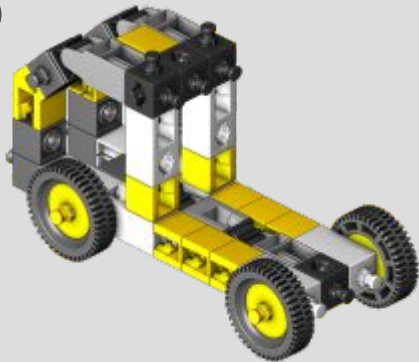


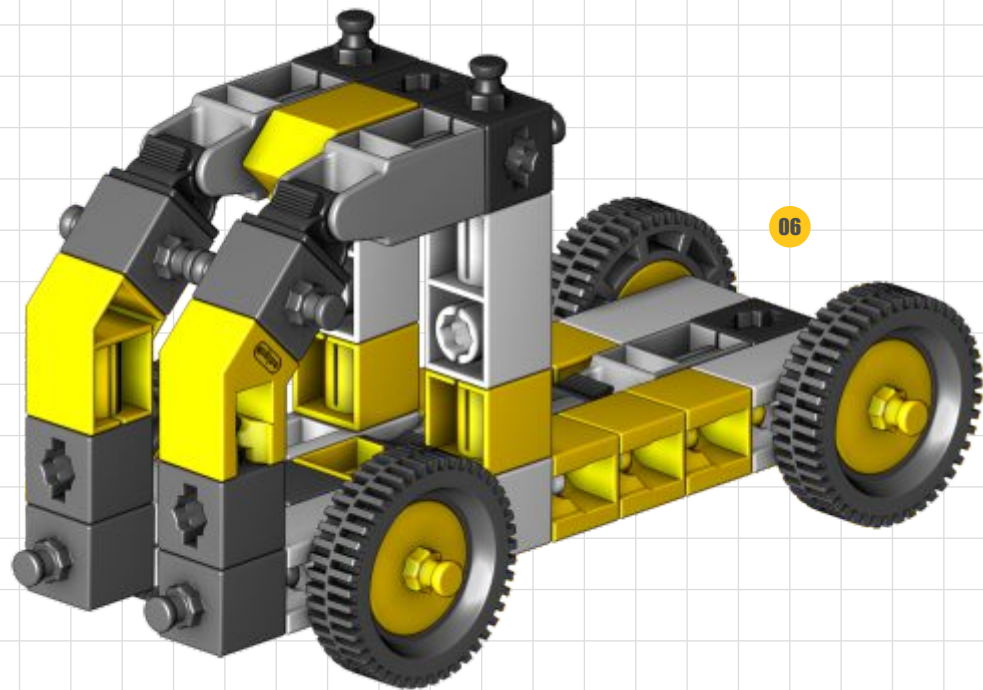
x4

05



06







x4



x4



x4



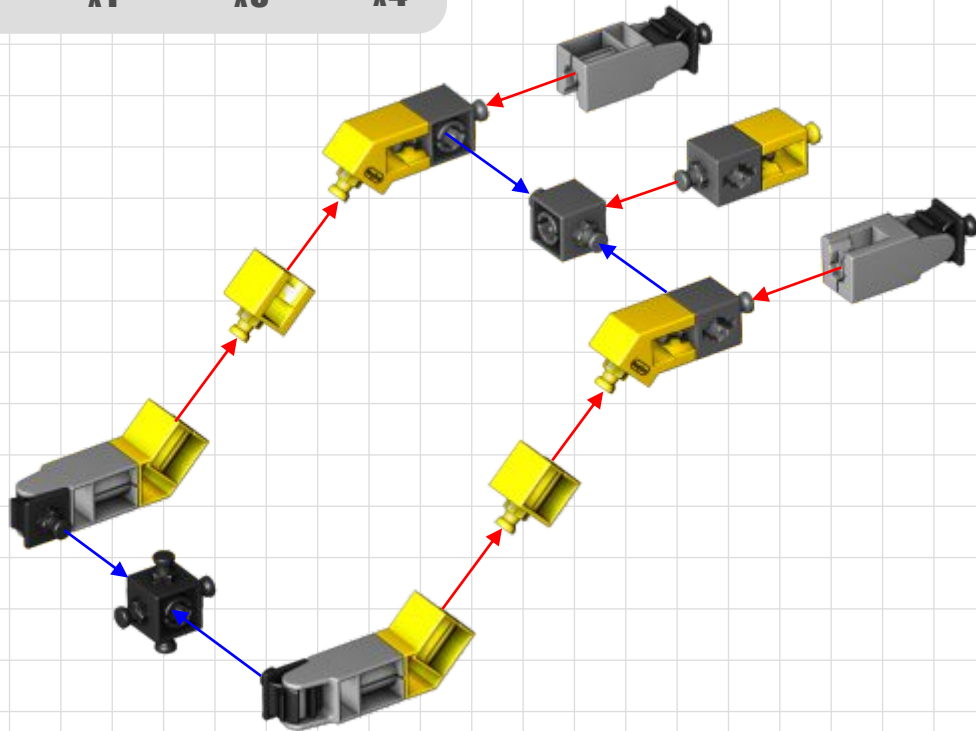
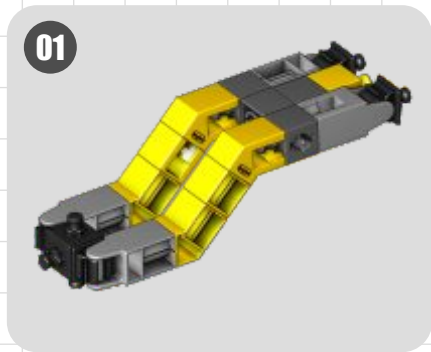
x1



x3



x4





x1

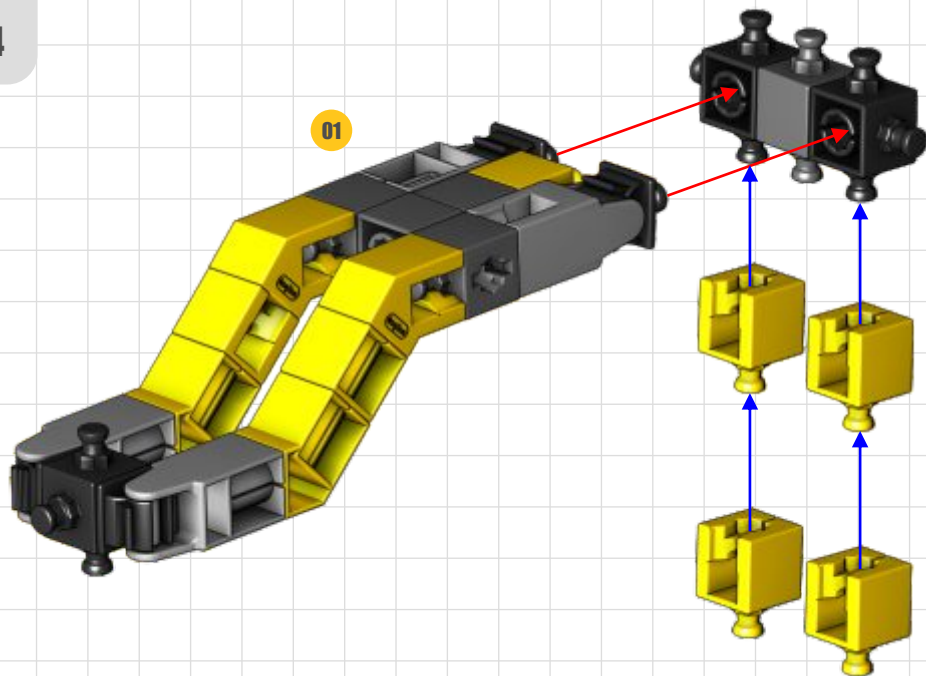


x2

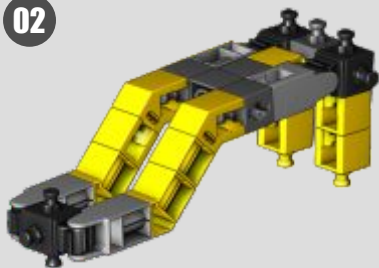


x4

01



02





x8



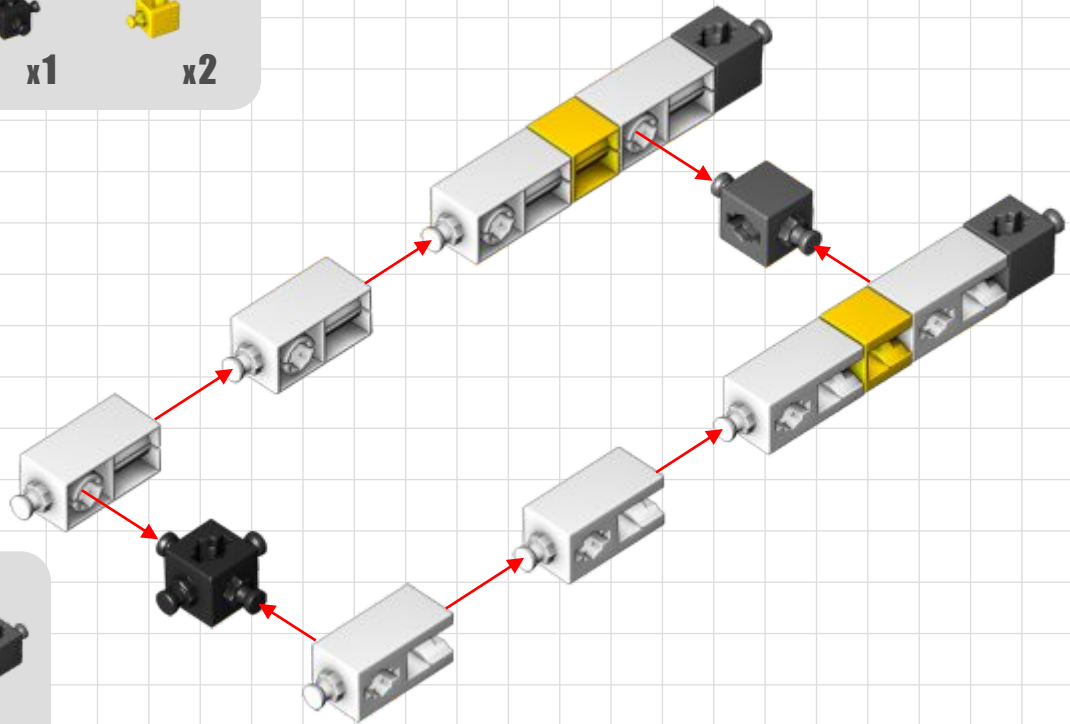
x3



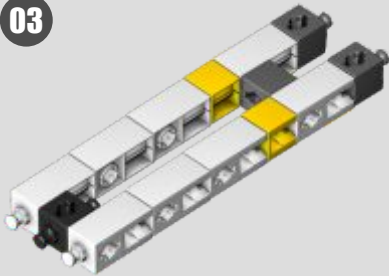
x1

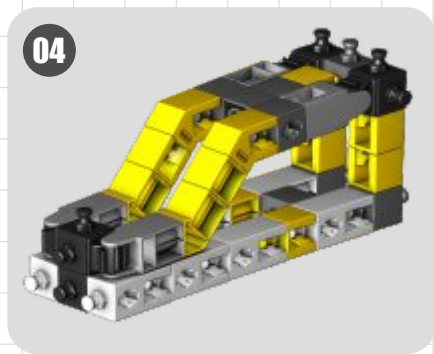
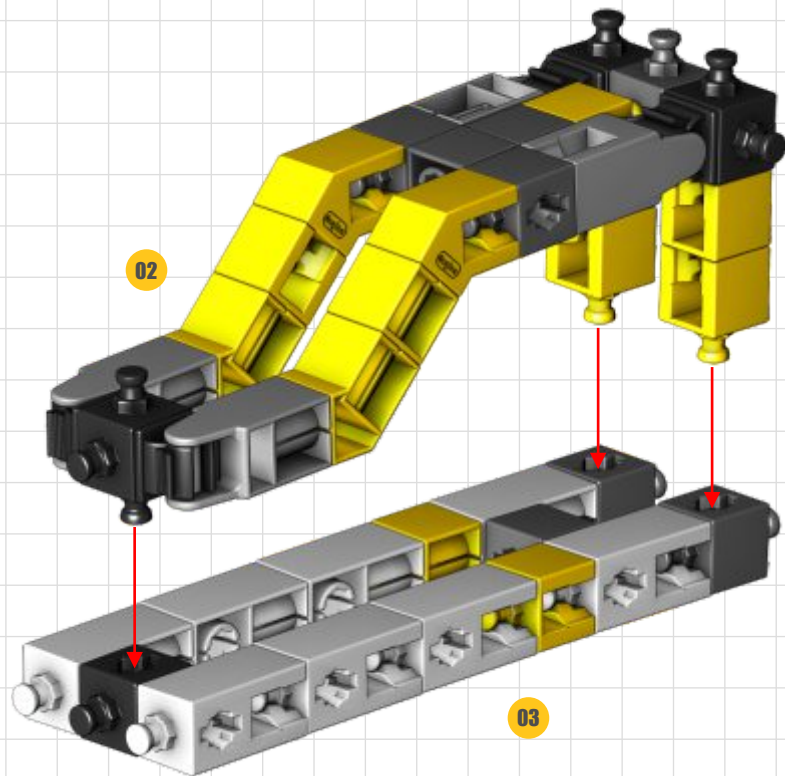


x2



03



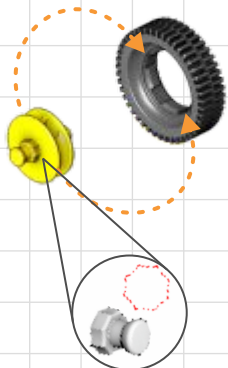




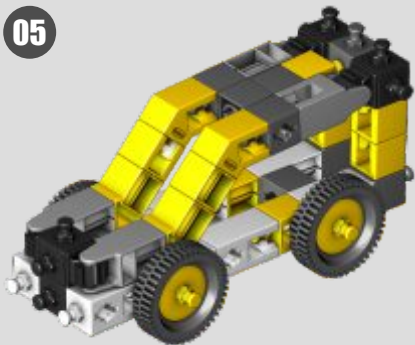
x4



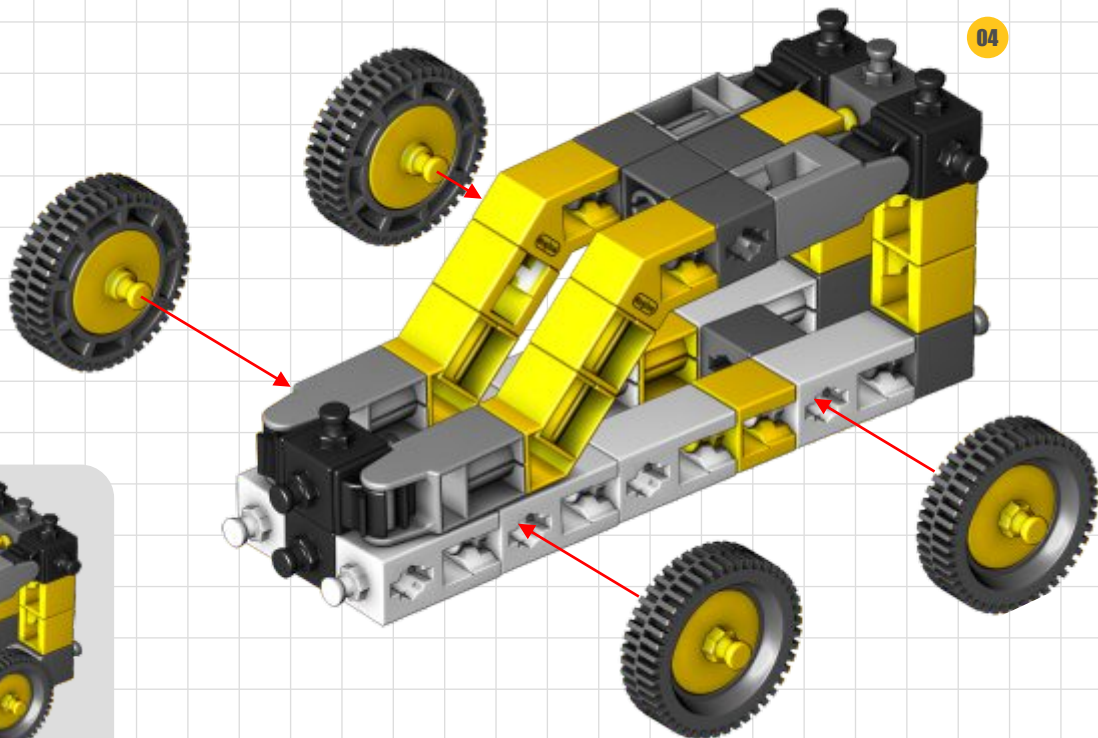
x4

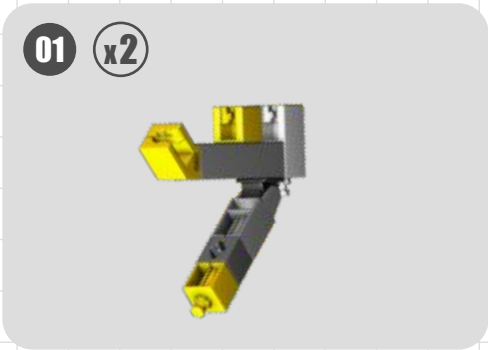
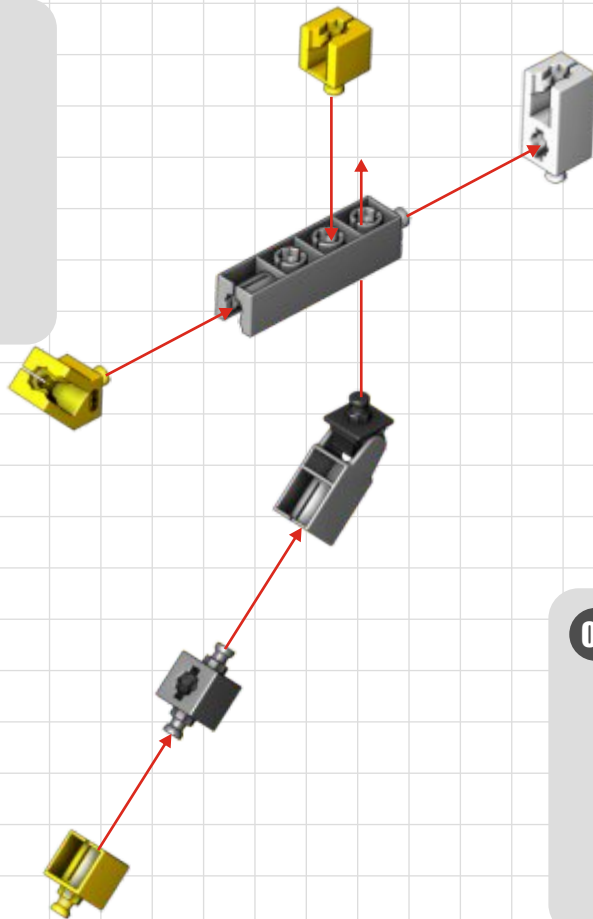
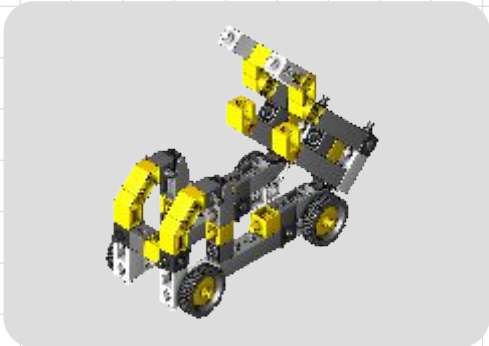


05

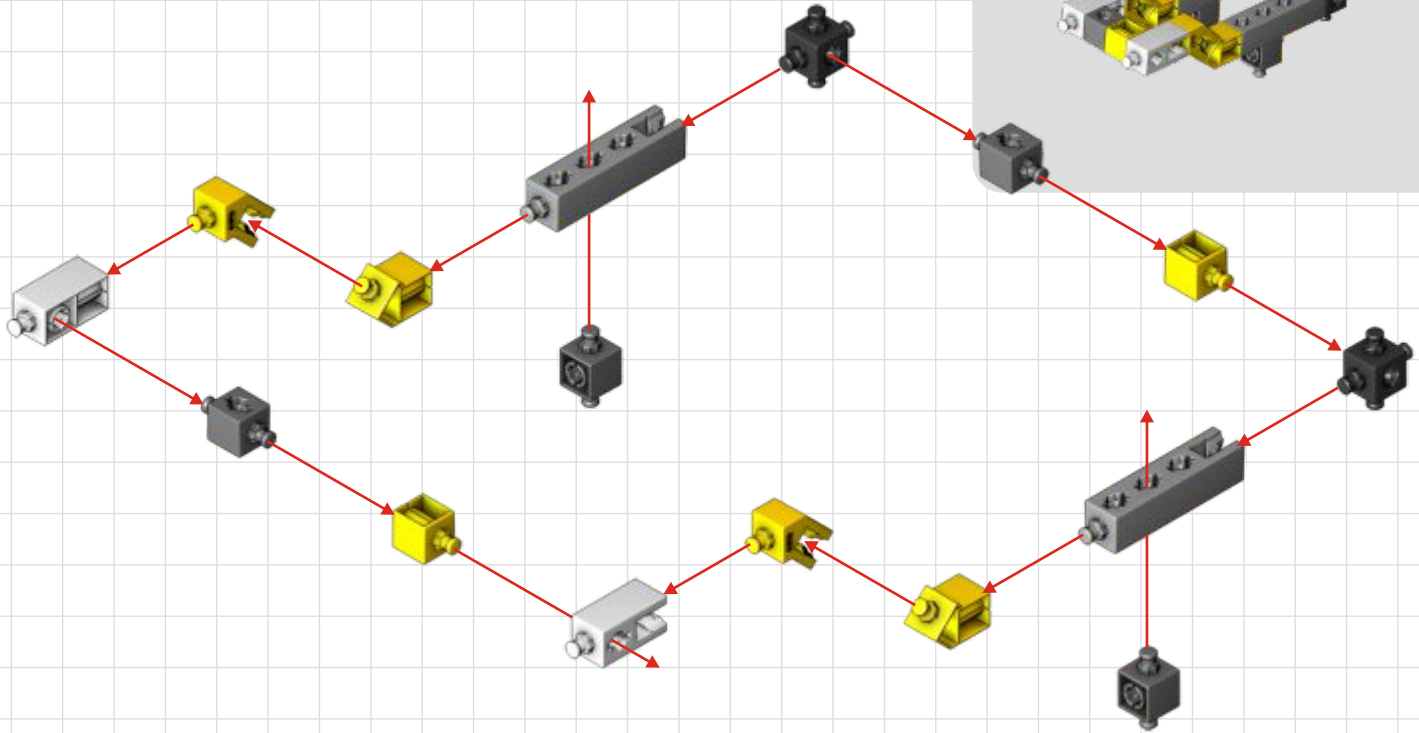
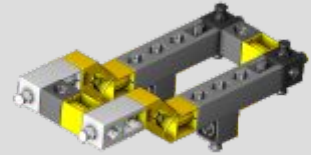


04

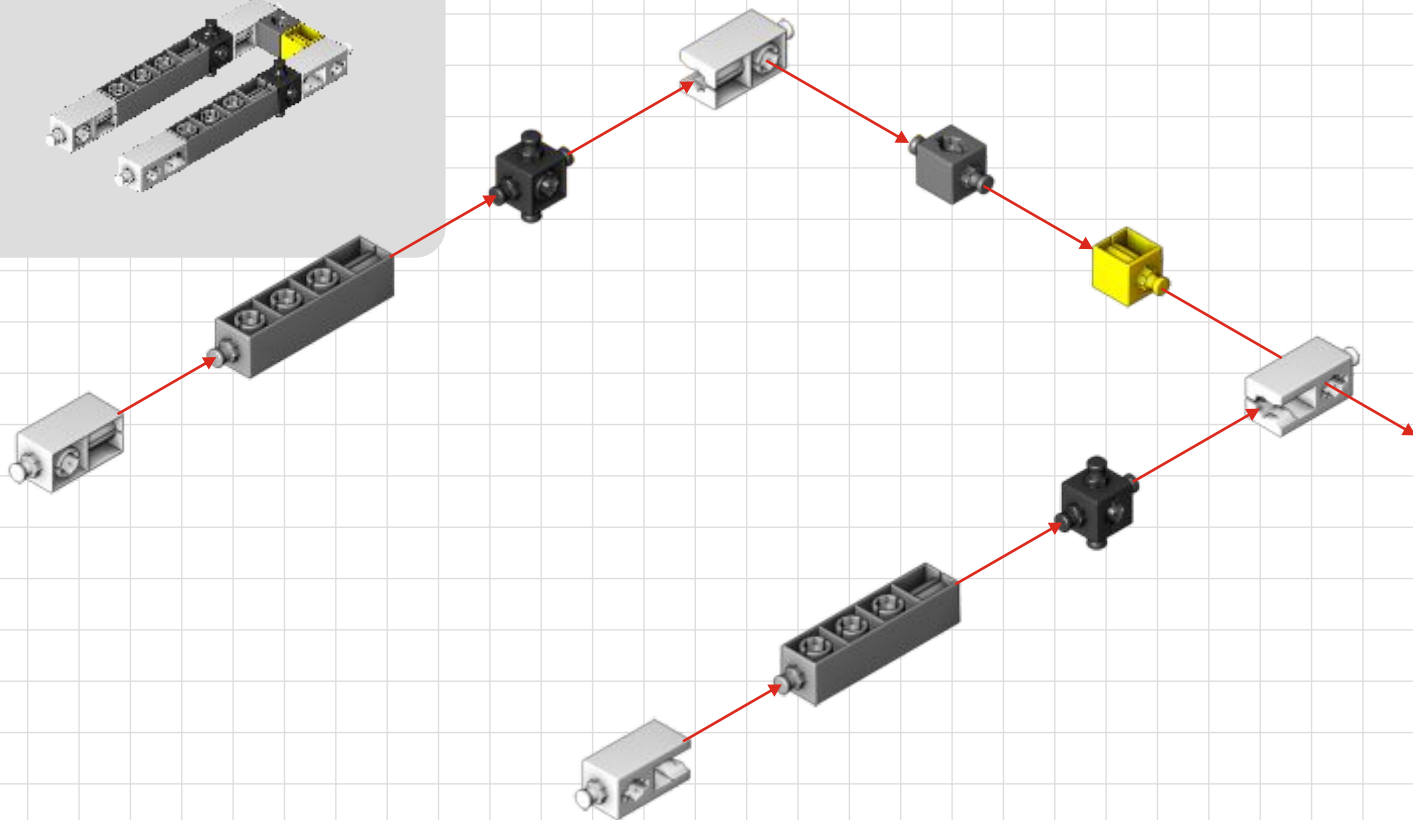
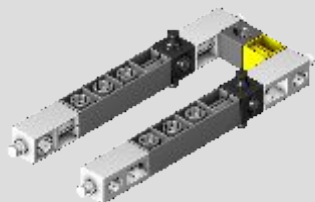




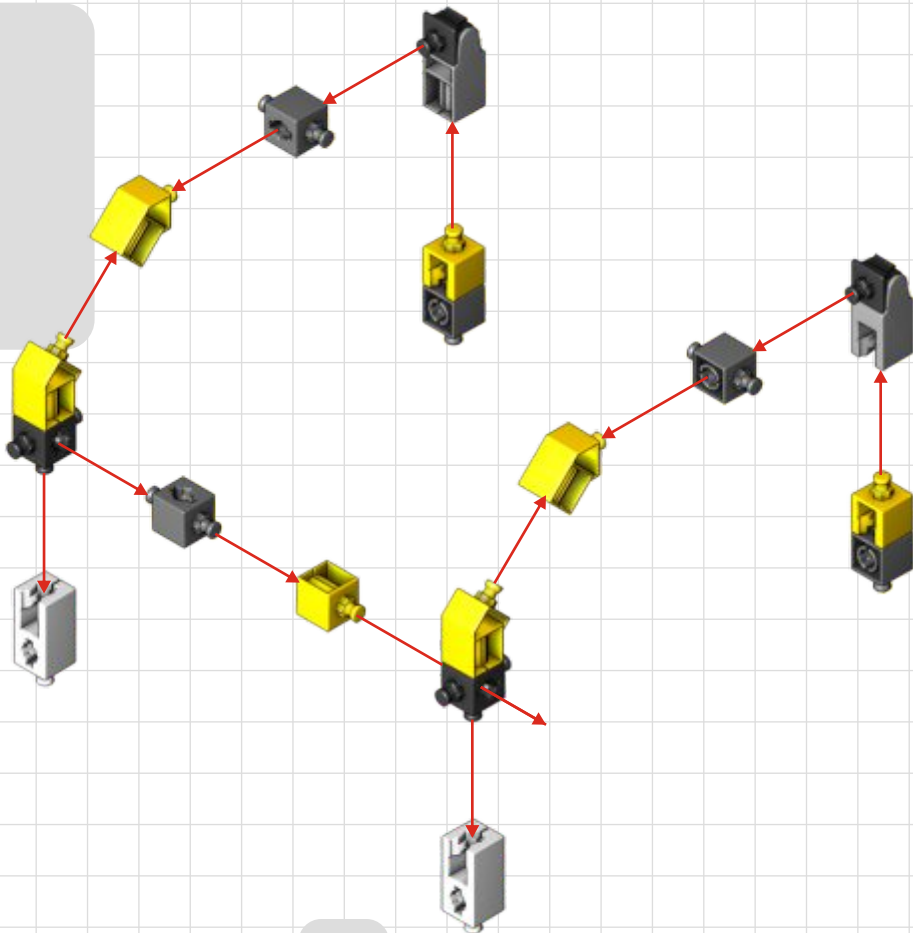
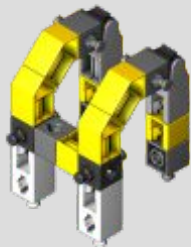
02



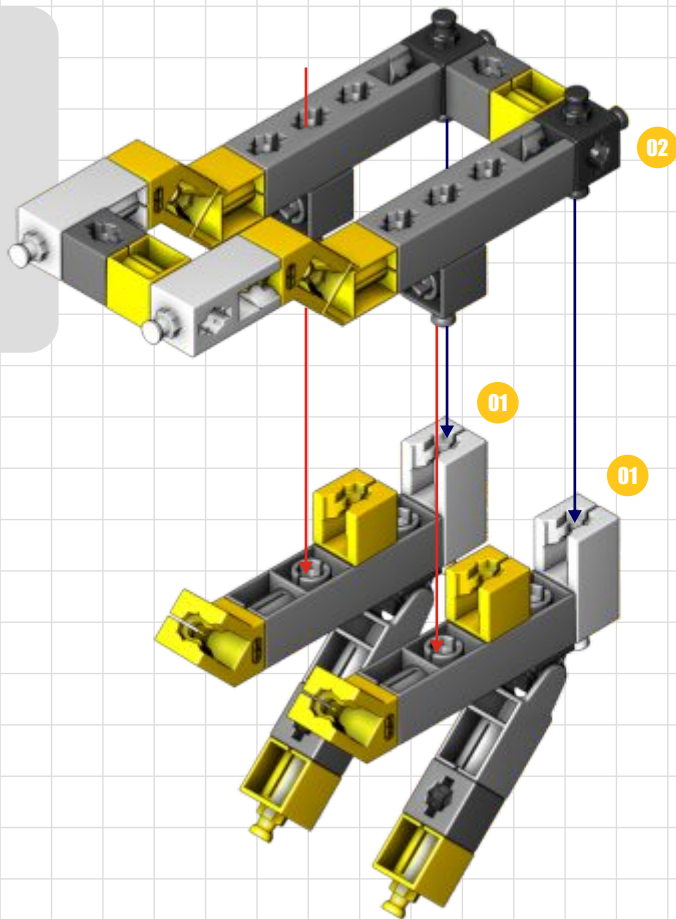
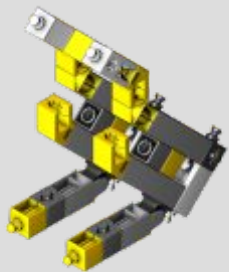
03



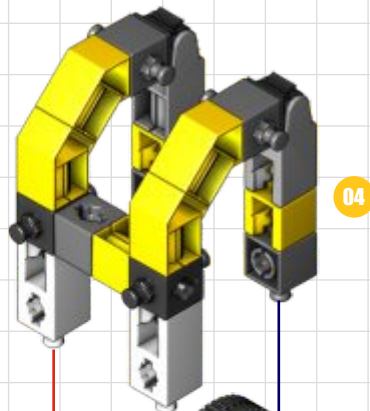
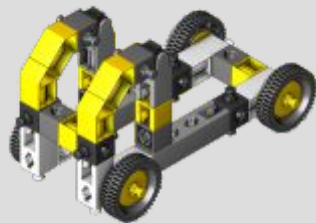
04



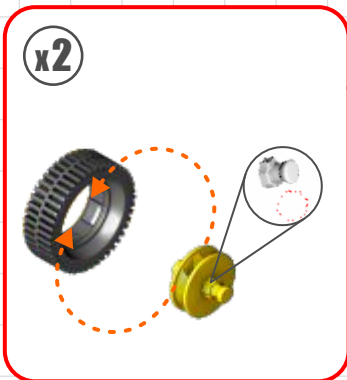
05



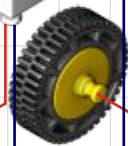
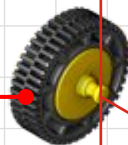
06



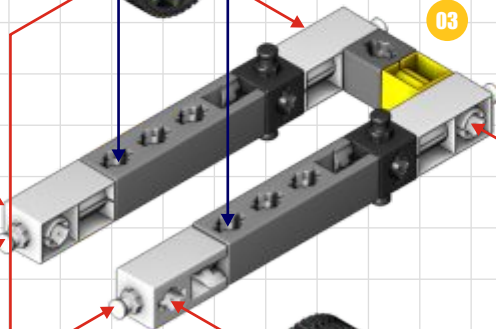
04



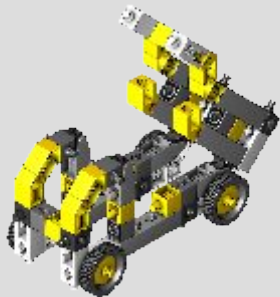
x2



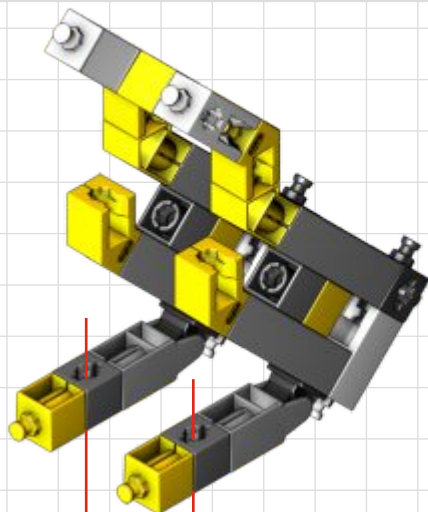
03



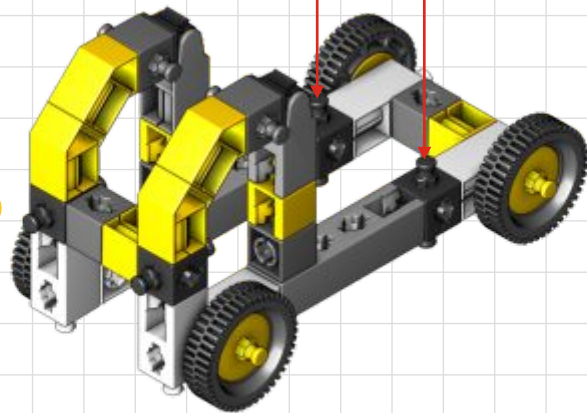
07

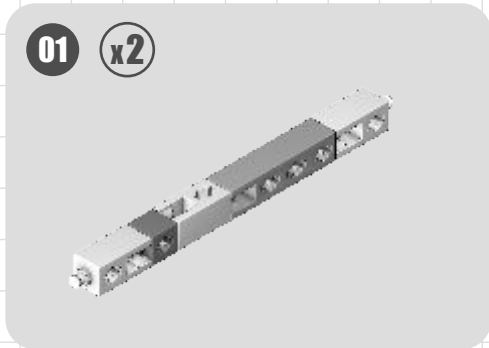
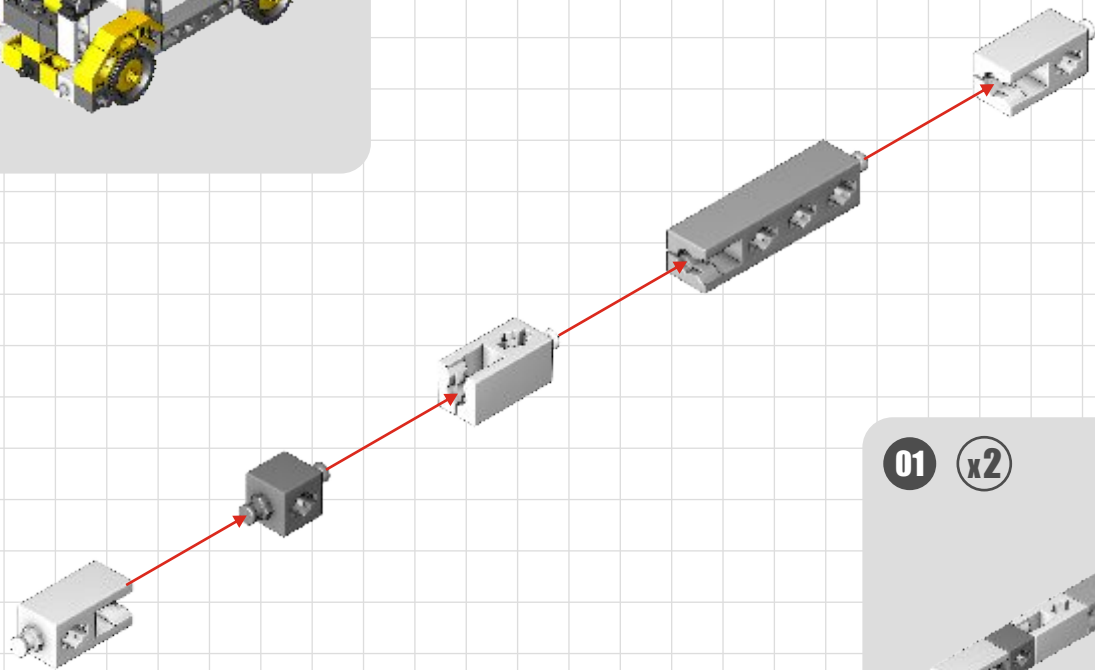
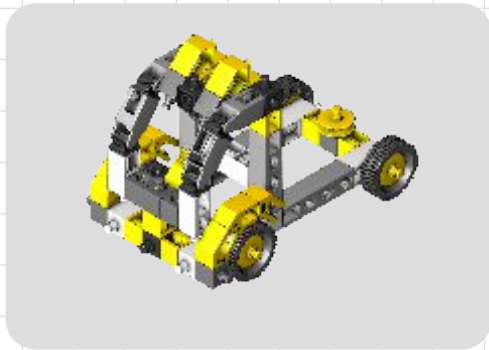


06

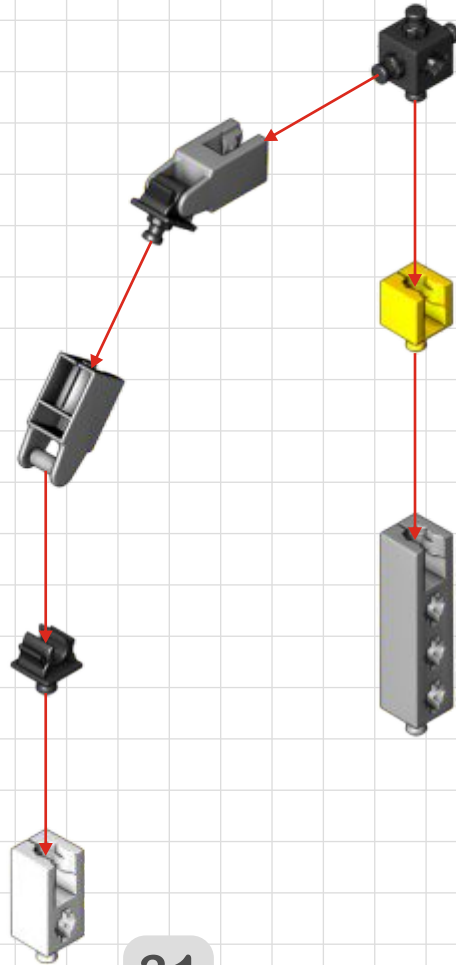
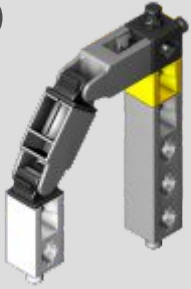


06

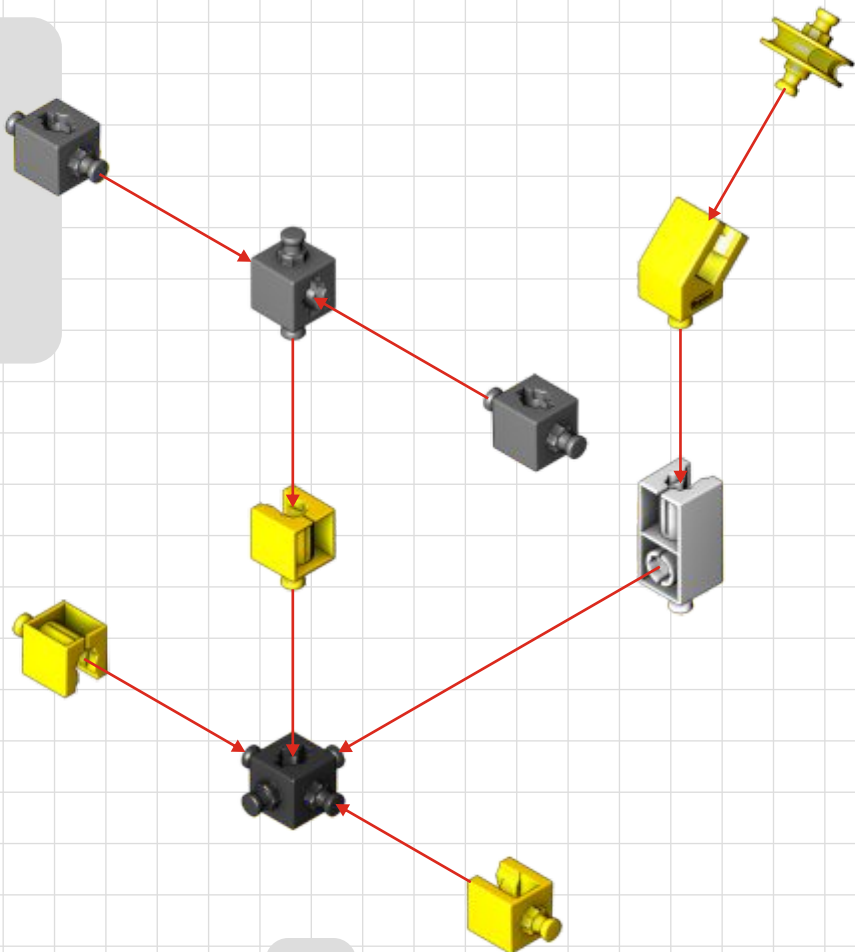
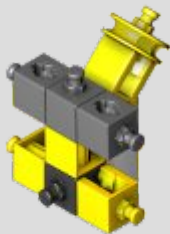




02 x2

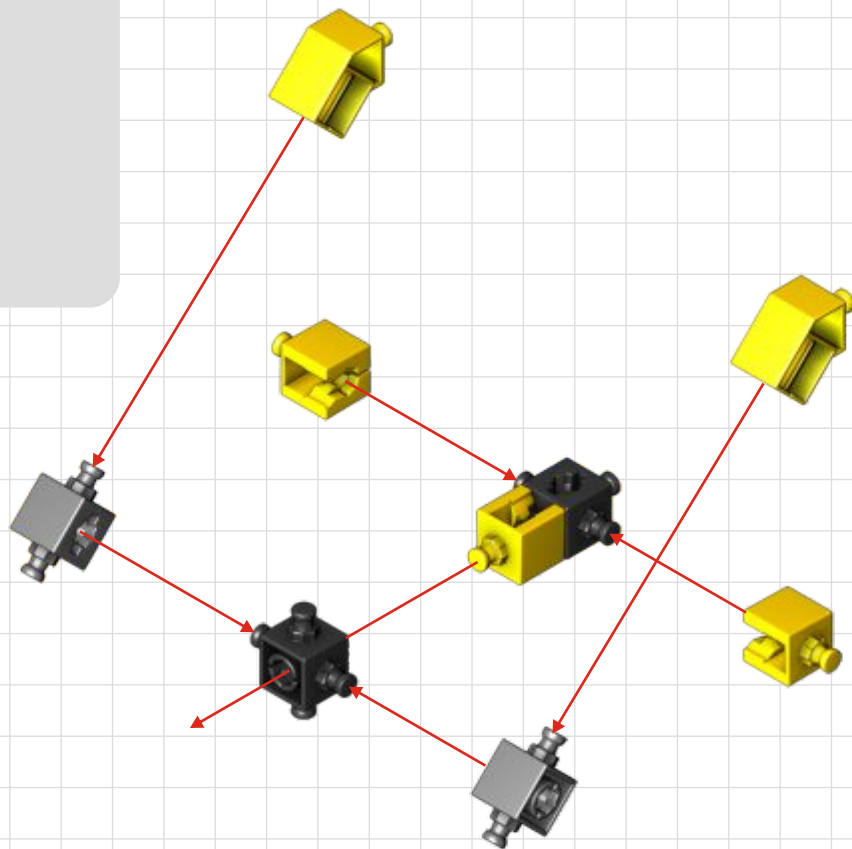
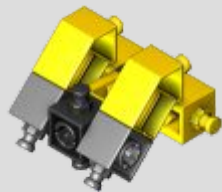


03

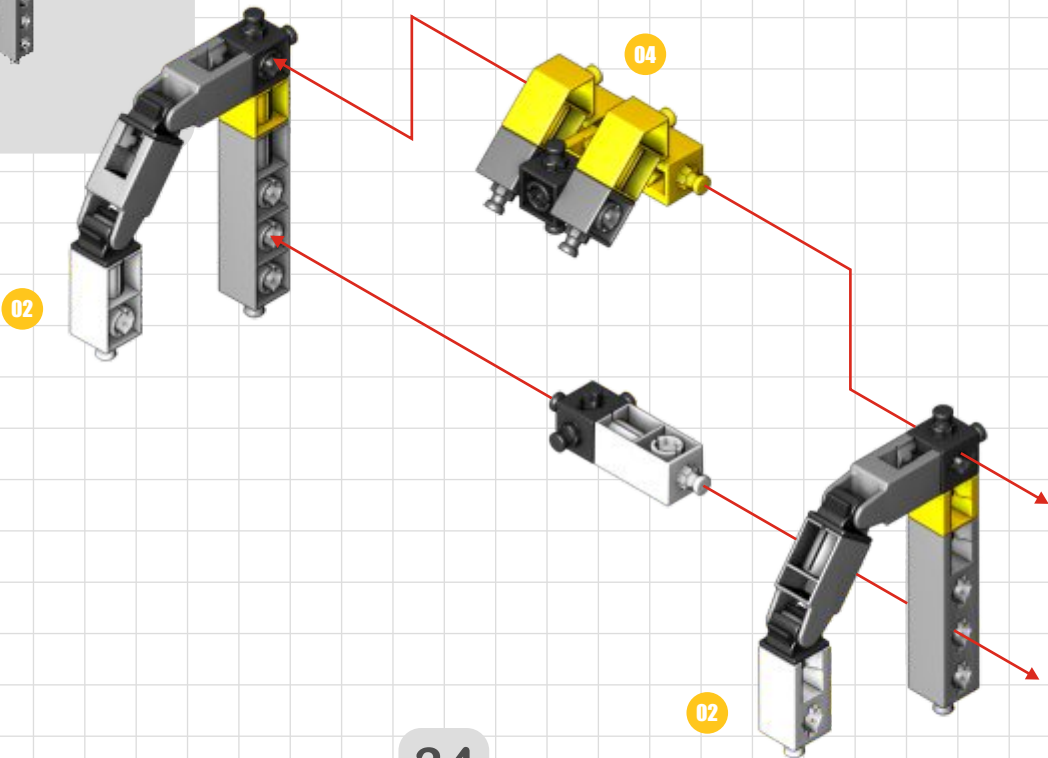
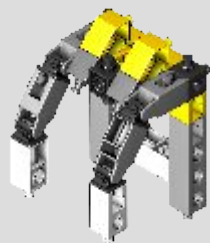


32

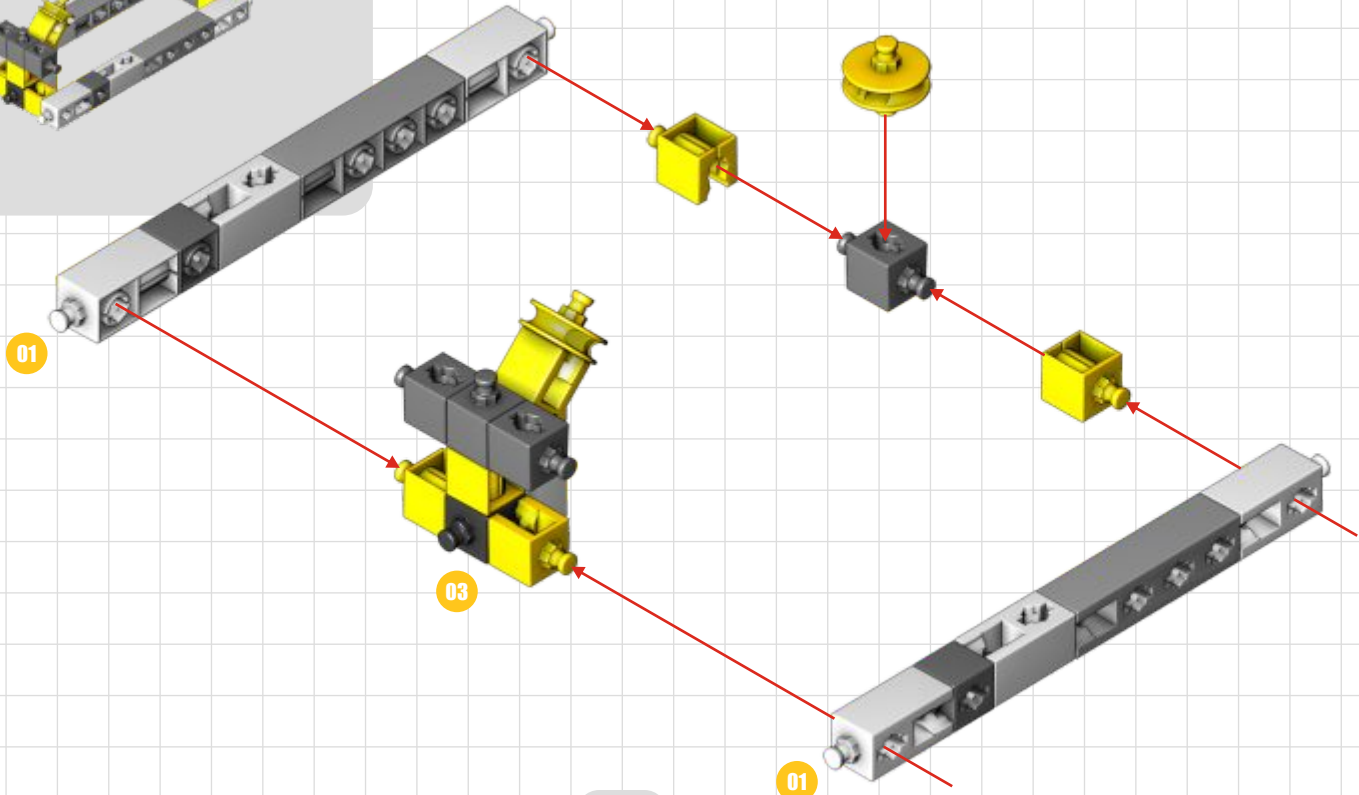
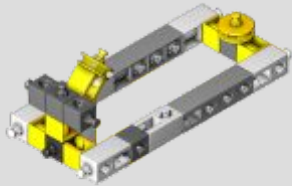
04

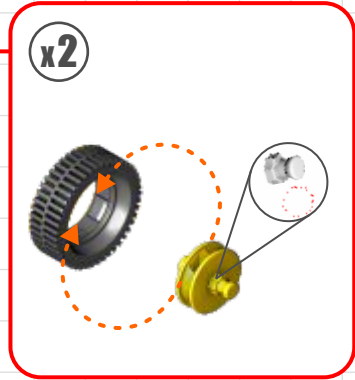
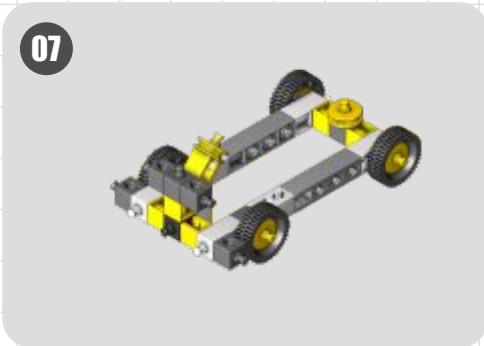
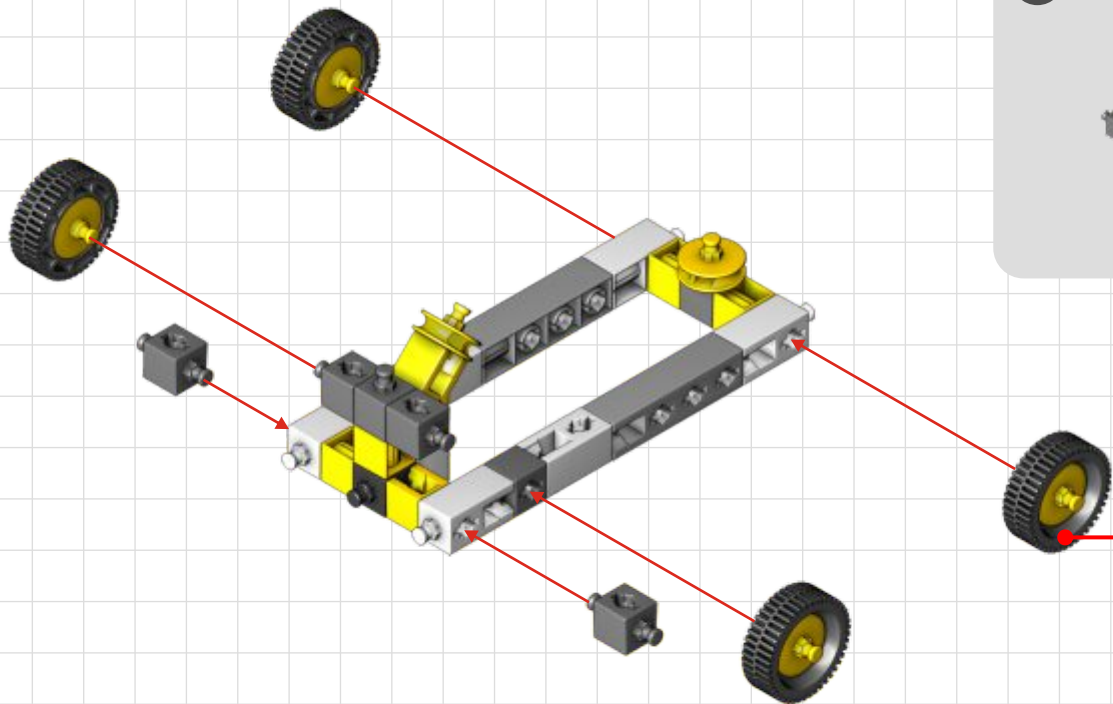


05

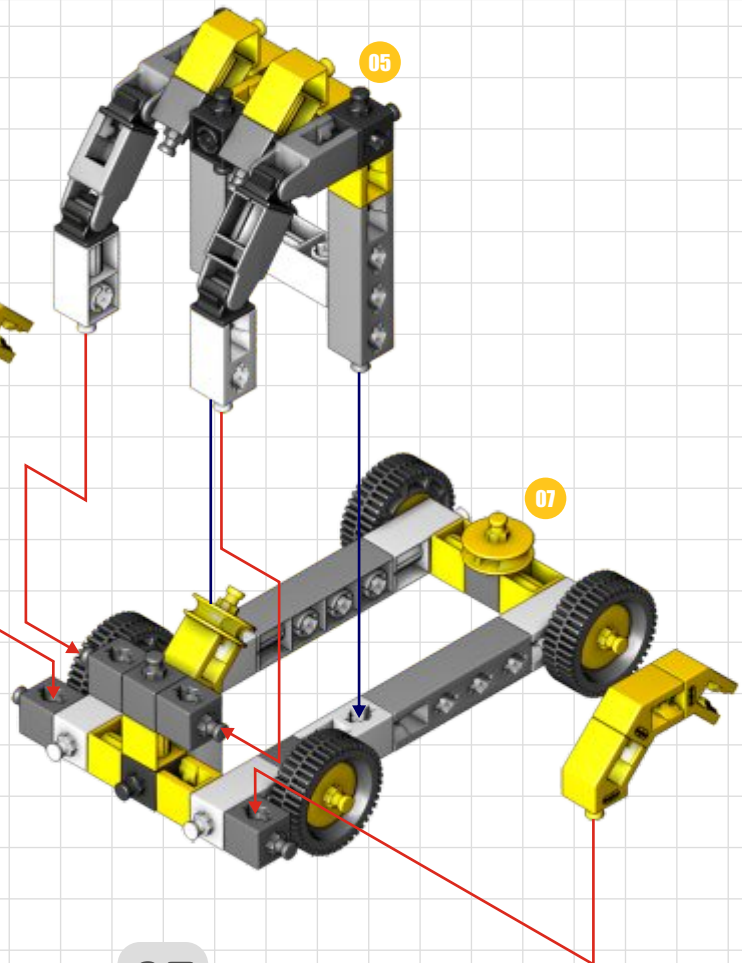
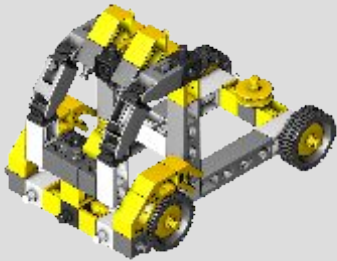


06

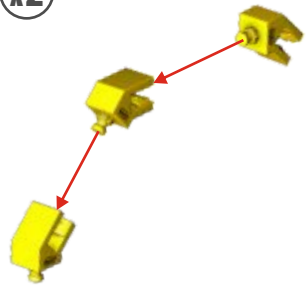




08



x2





x5



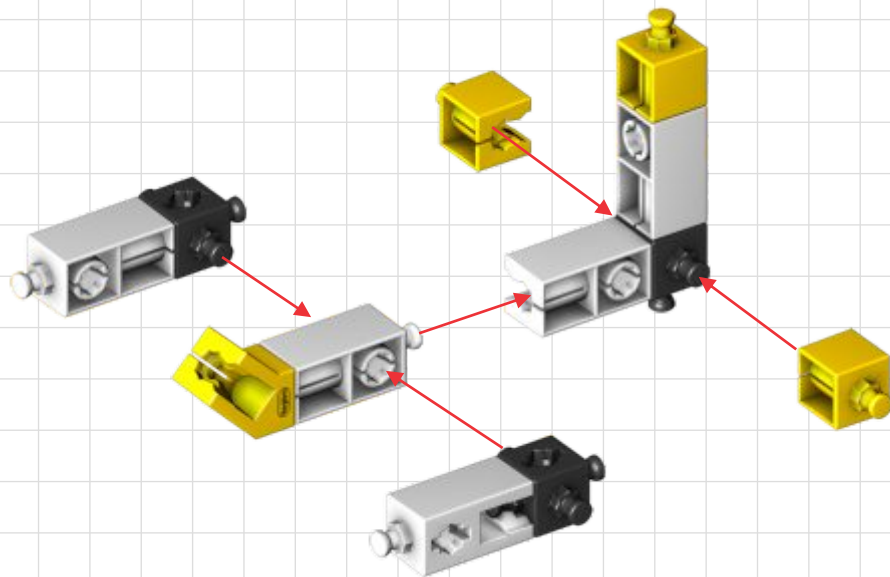
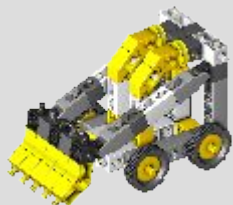
x3



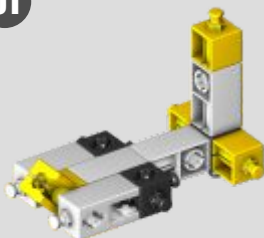
x1

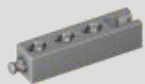


x3



01





x2



x4



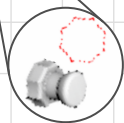
x2



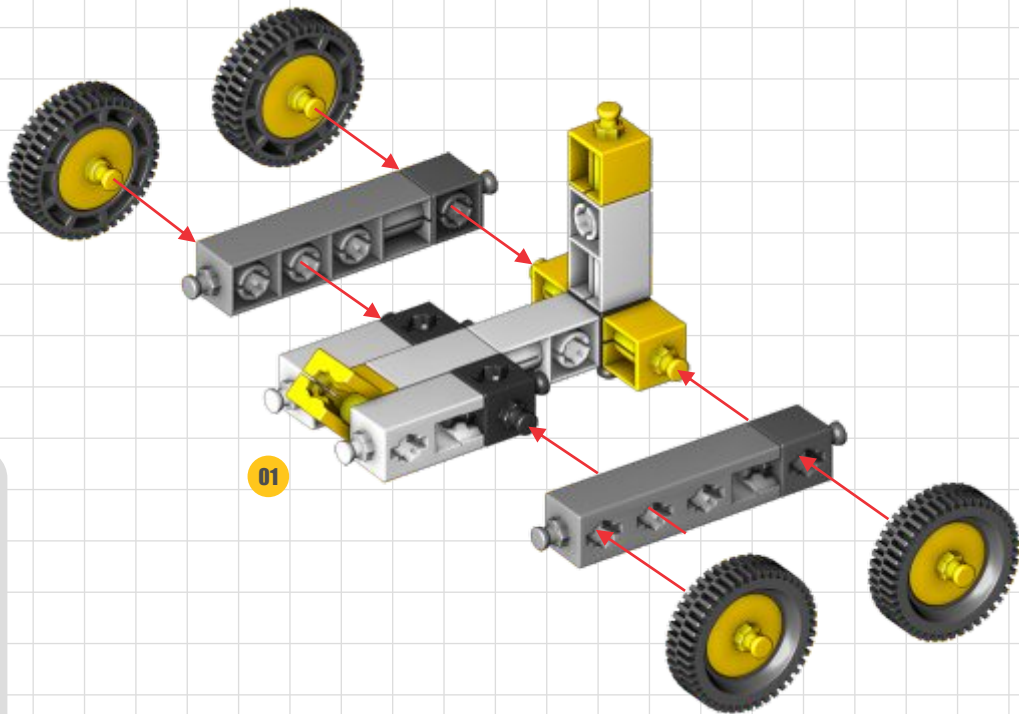
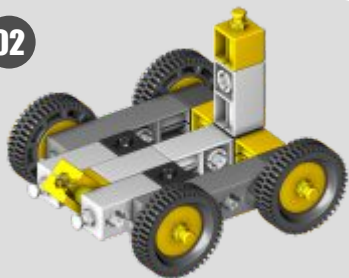
x4



x4



02





x2



x2

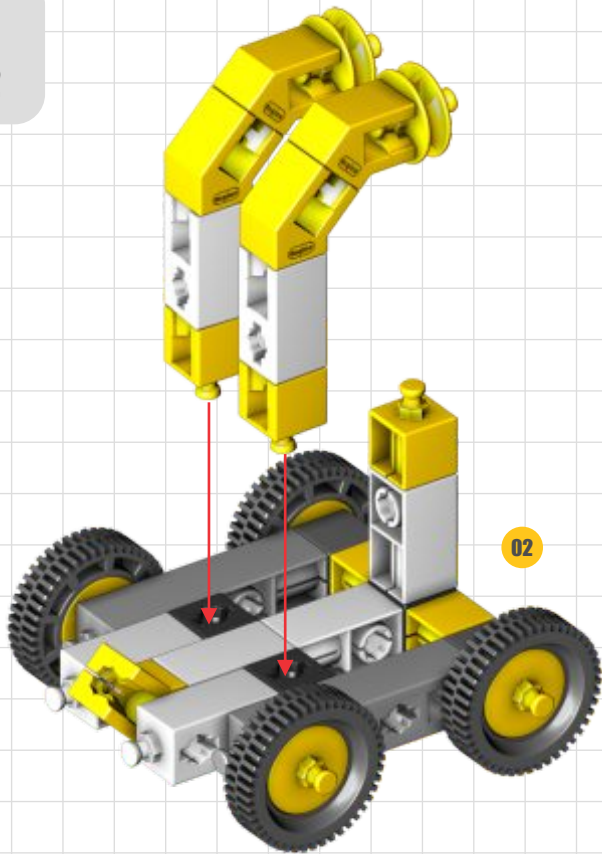


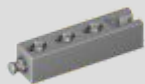
x4



x2

03





x2



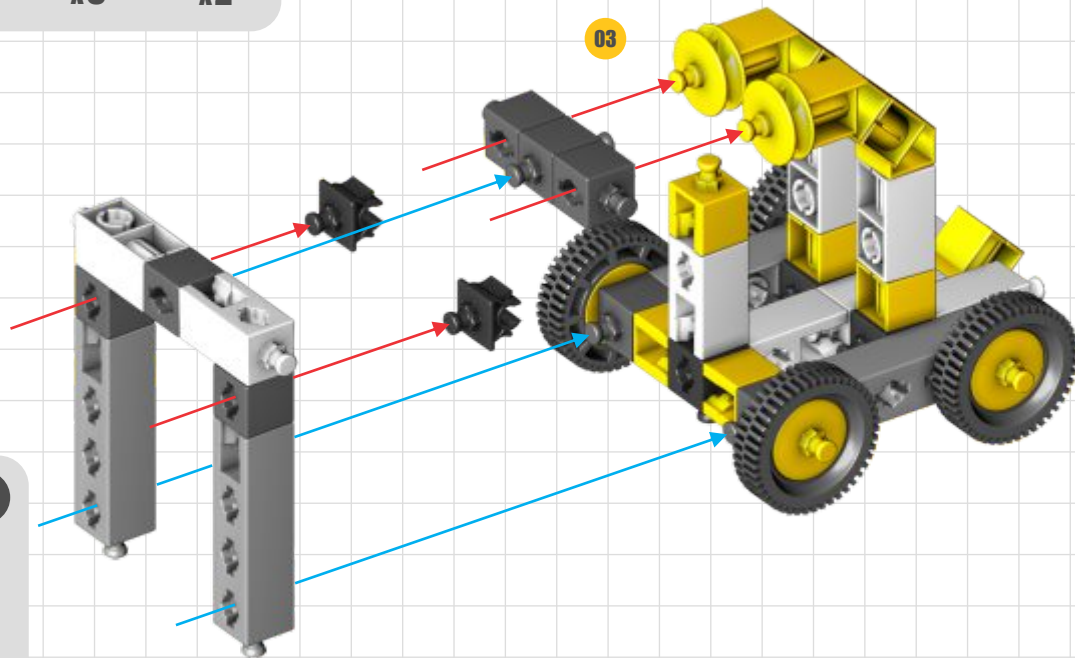
x2



x6

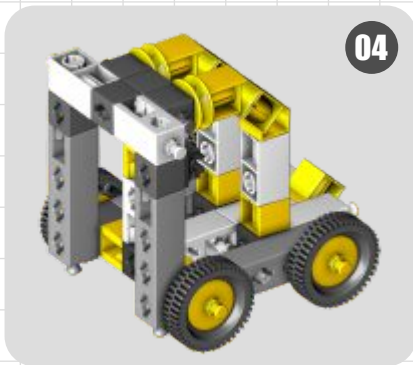


x2



03

04





x2

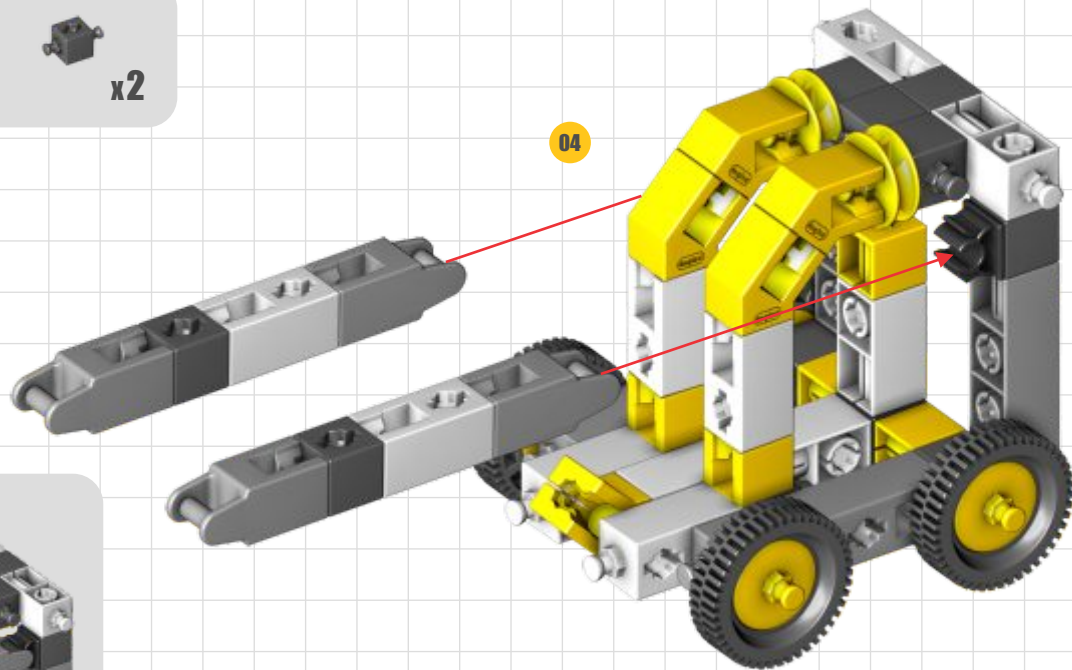


x4

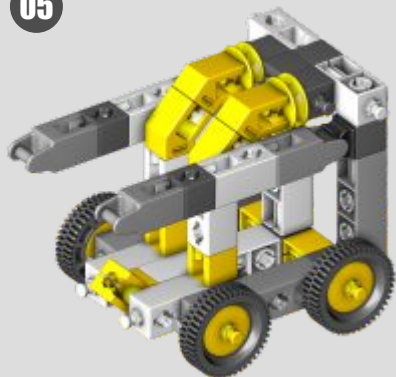


x2

04



05





x5



x3



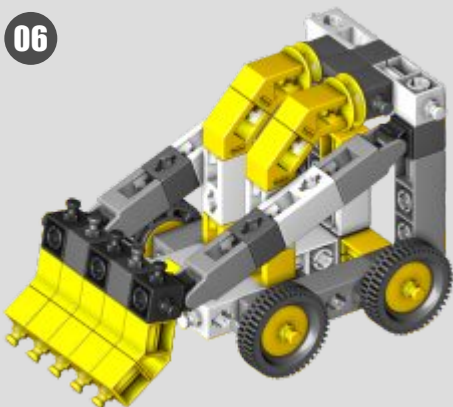
x2



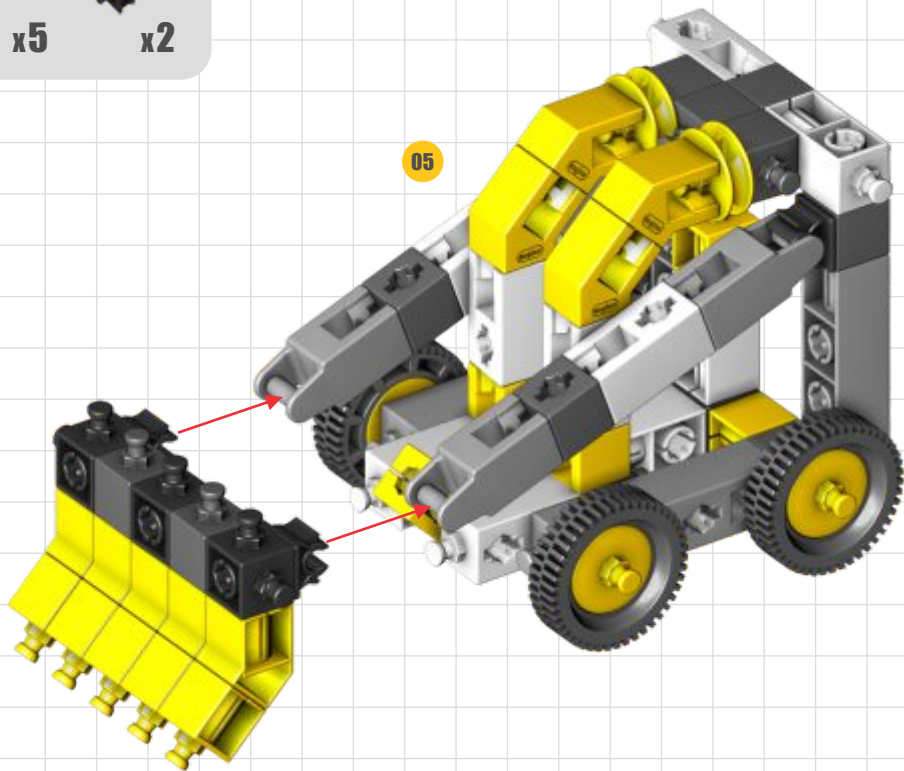
x5



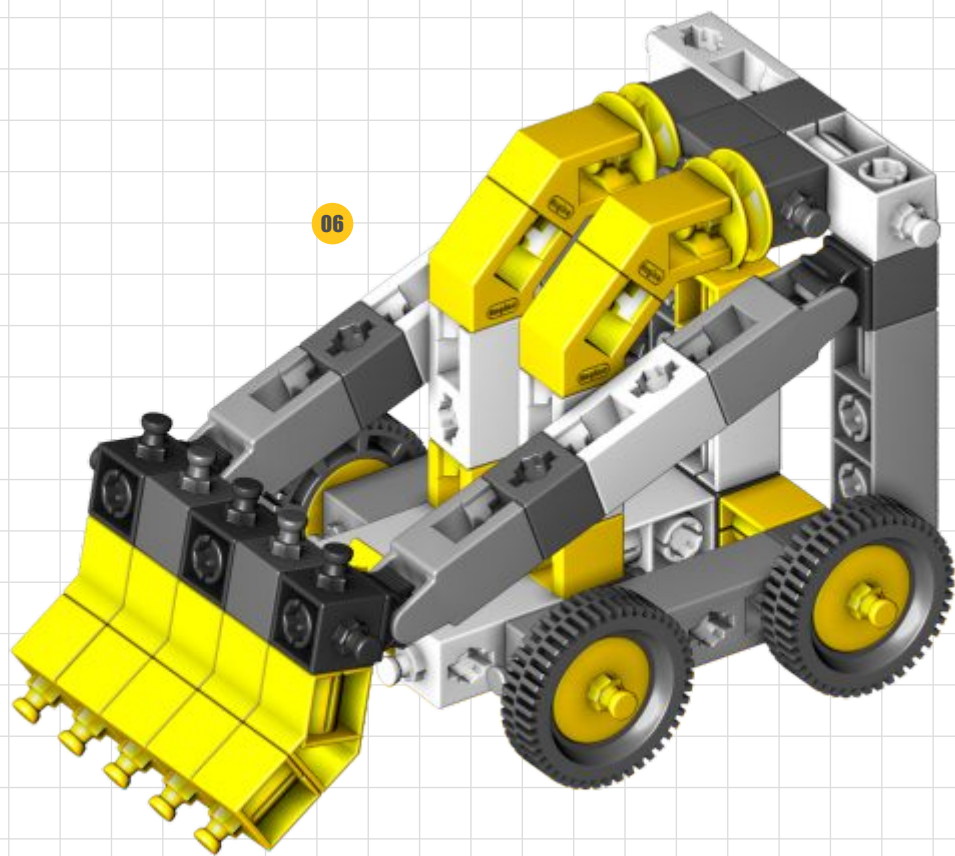
x2

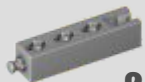


06



05





x2



x1



x1



x4



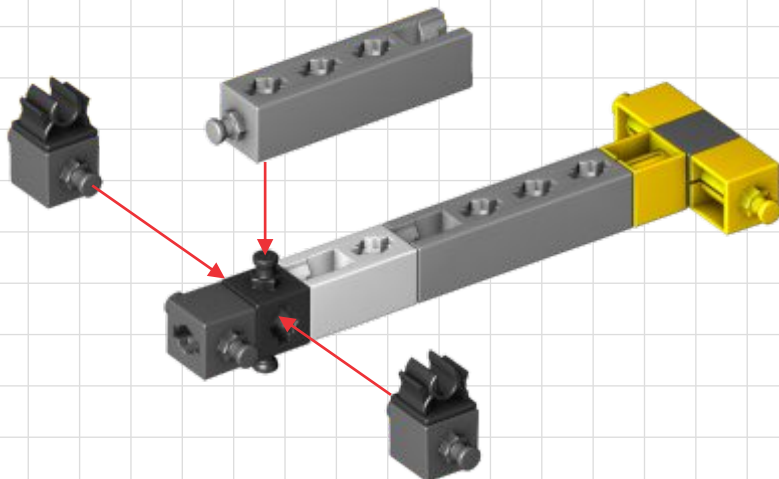
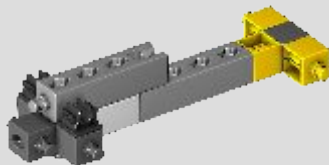
x3

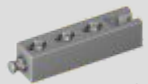


x2



01





x2



x4



x2



x4

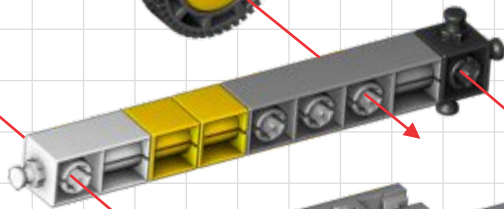
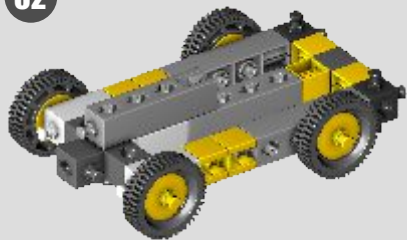


x4

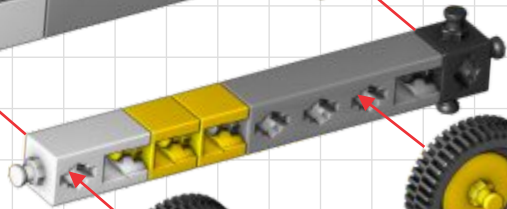
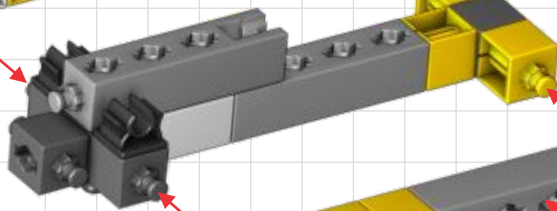


x2

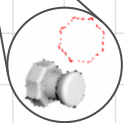
02



01



x4





x2



x4



x2



x3

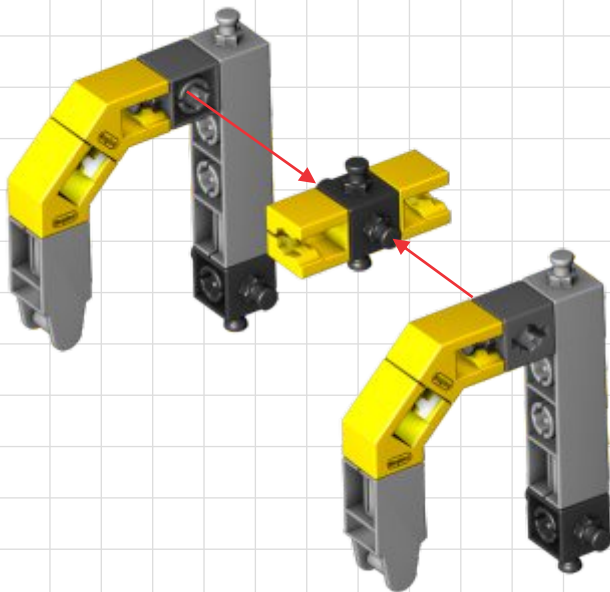
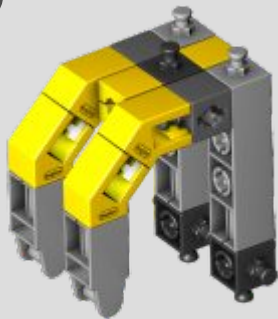


x2

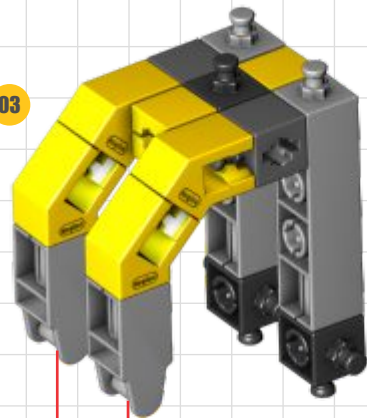


x2

03



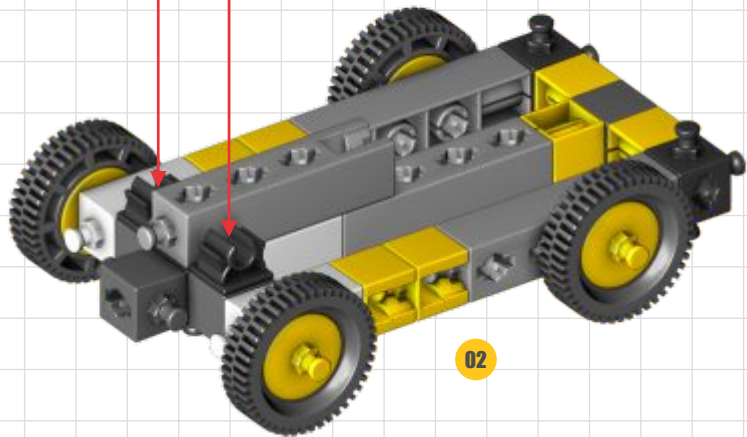
03



04



02





x2



x1



x1



x2

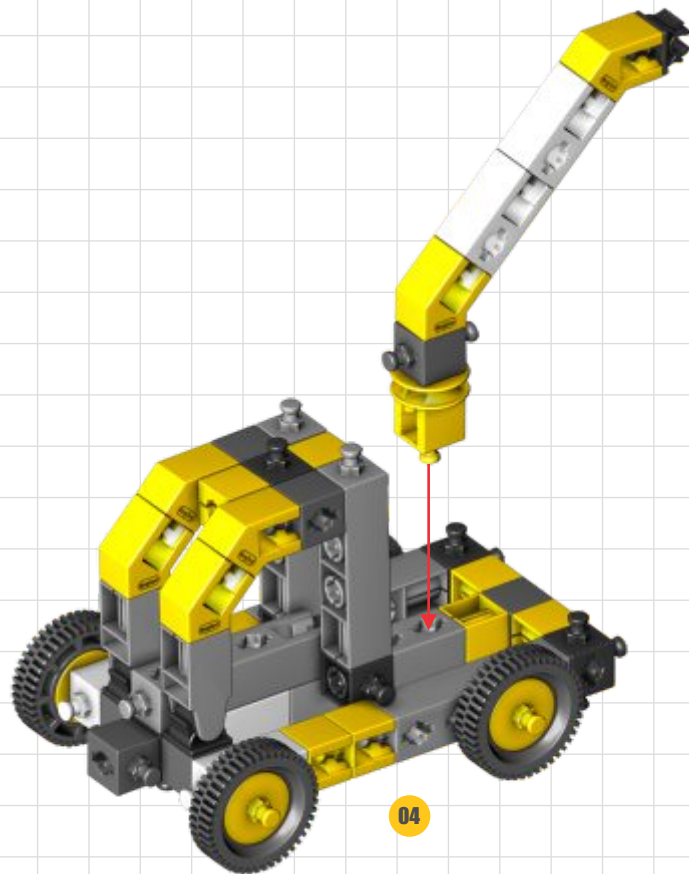


x1



x1

05



04



x1



x4



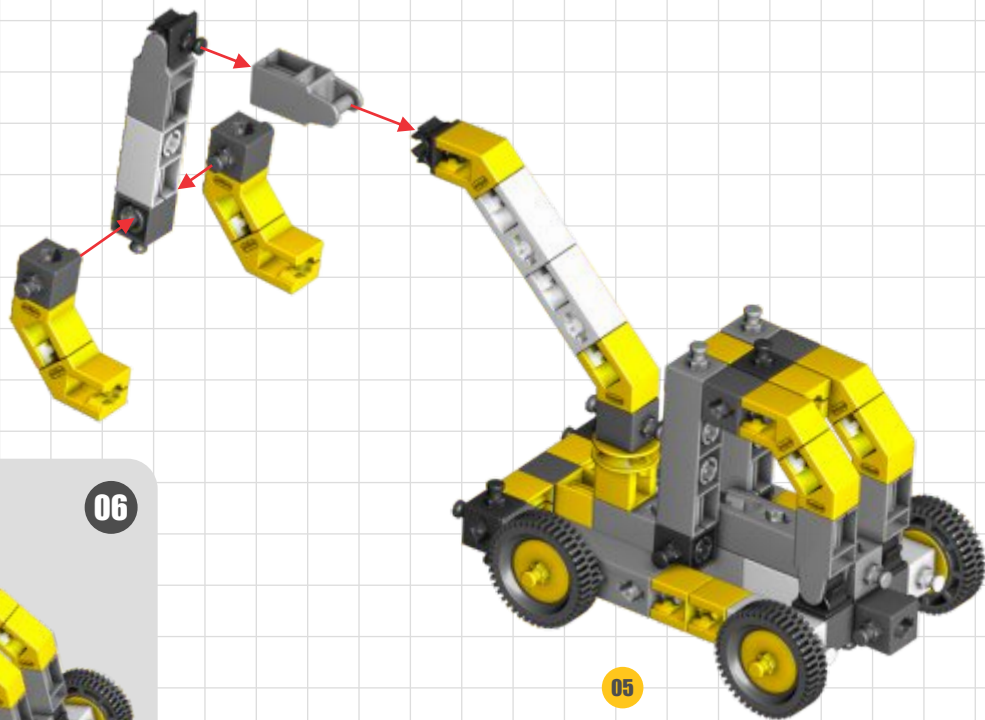
x2



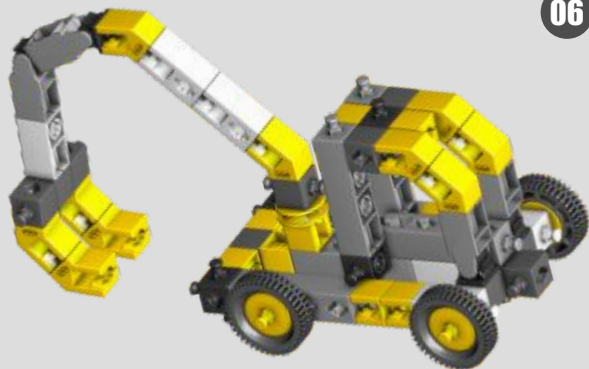
x3

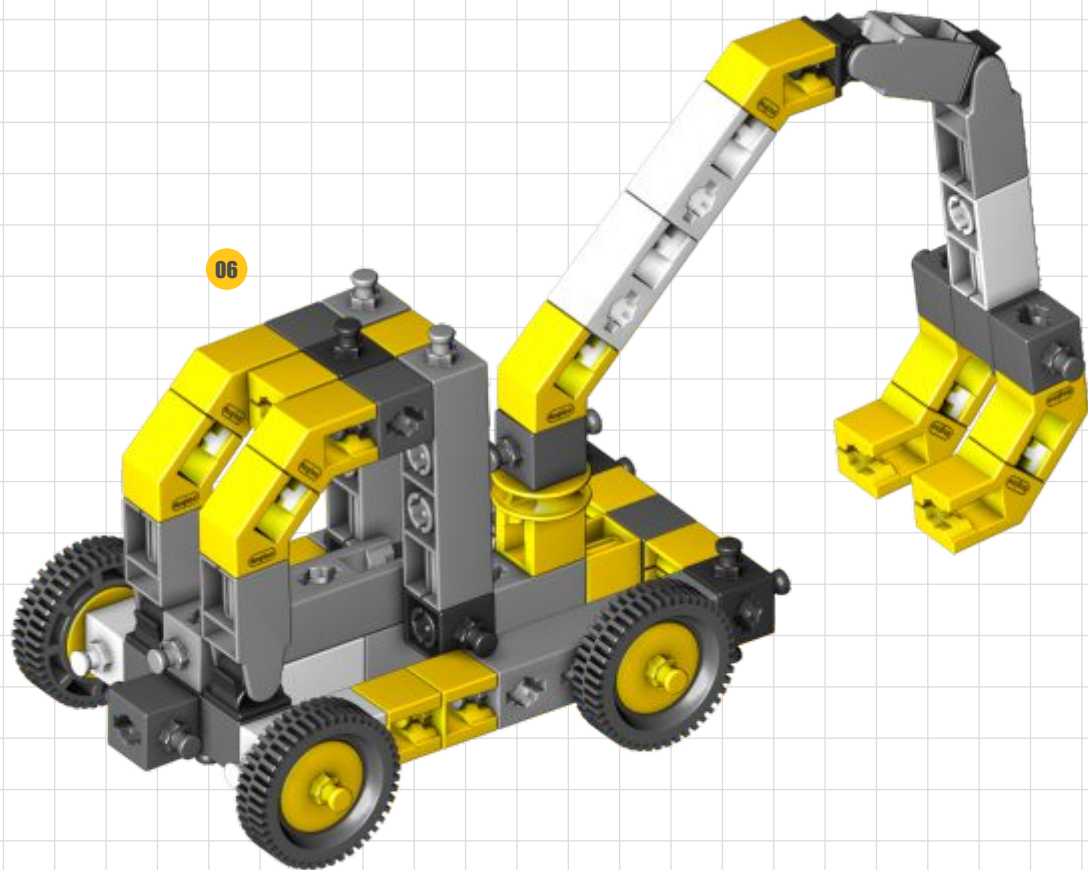


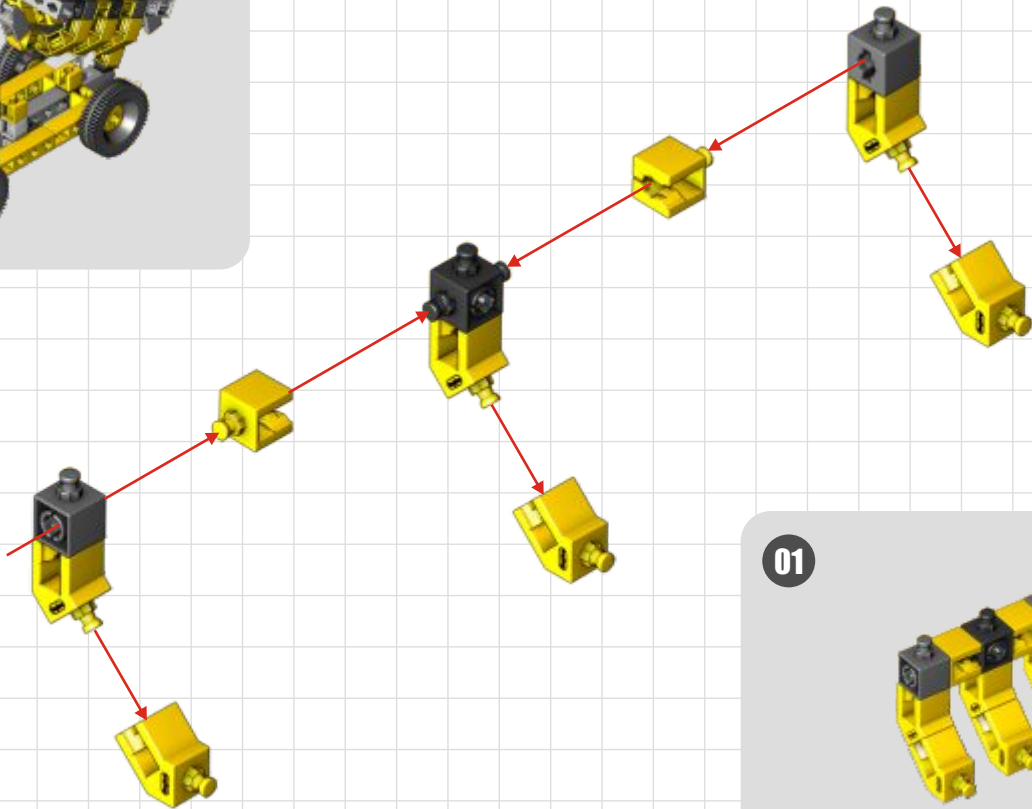
x1



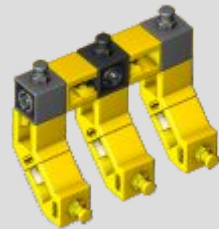
06



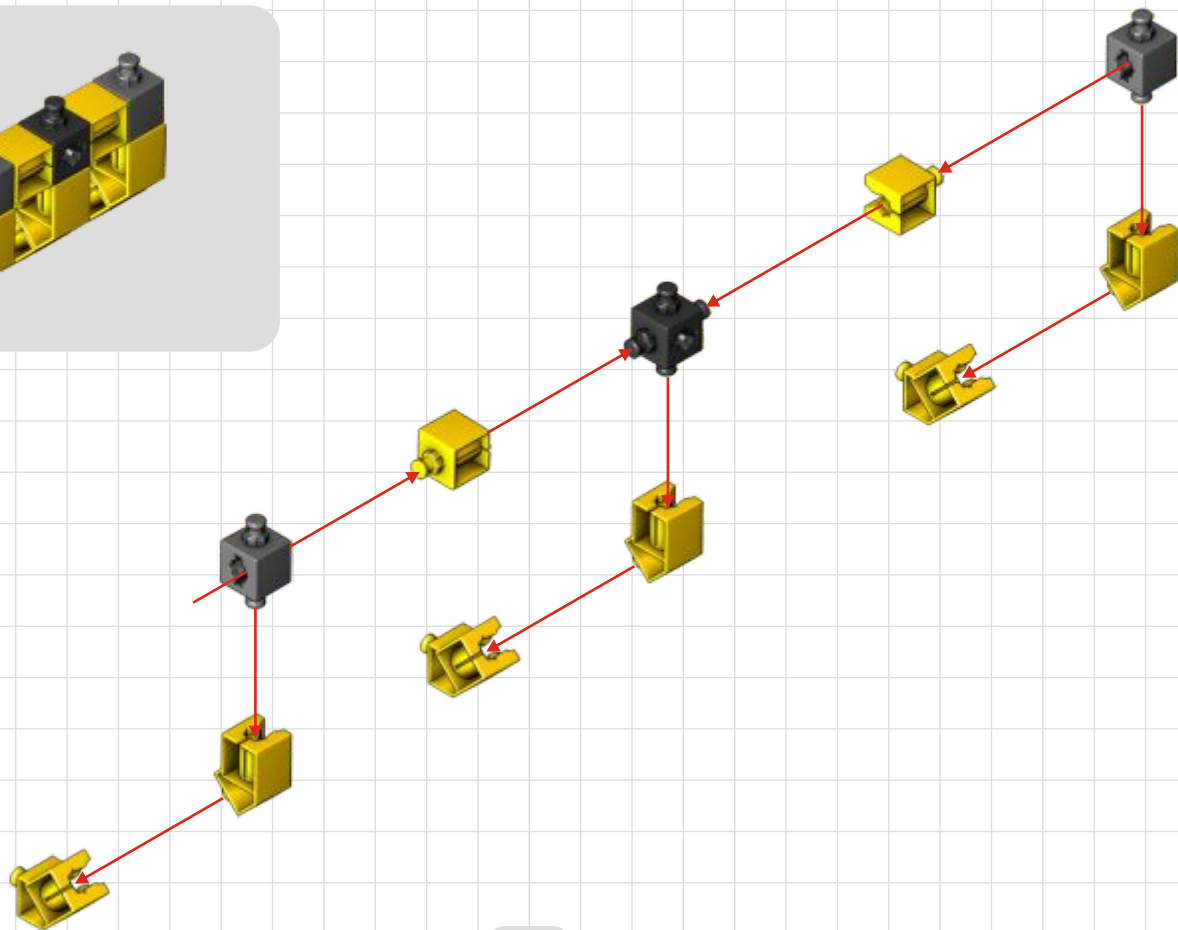
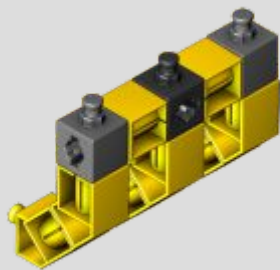




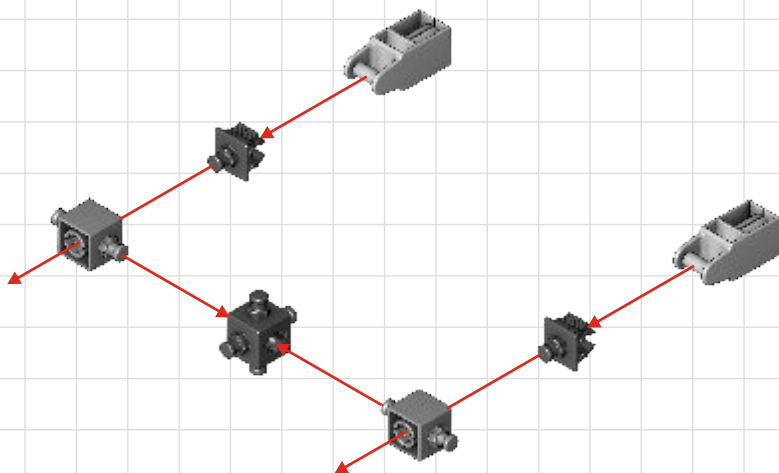
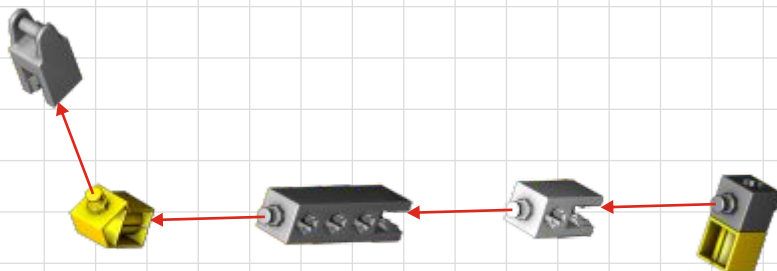
01



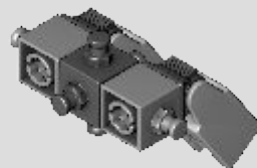
02

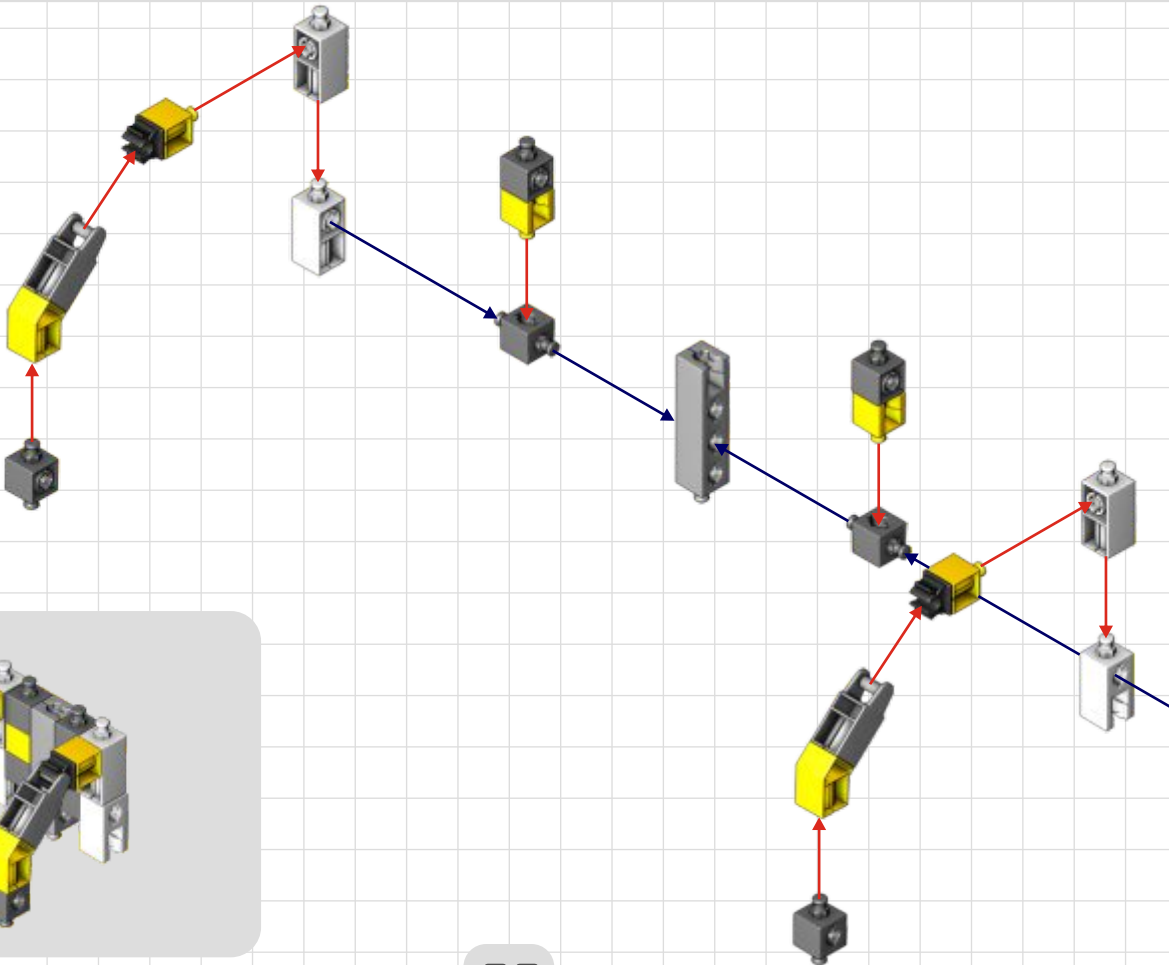


03

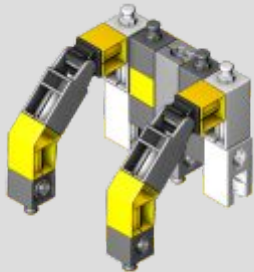


04

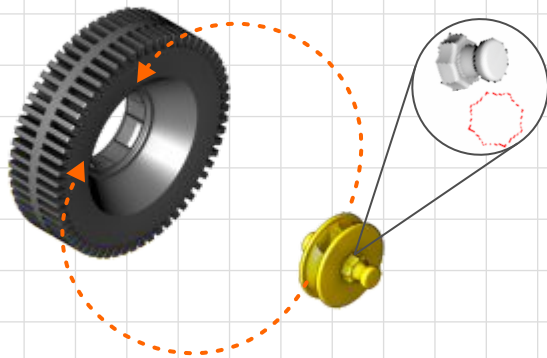
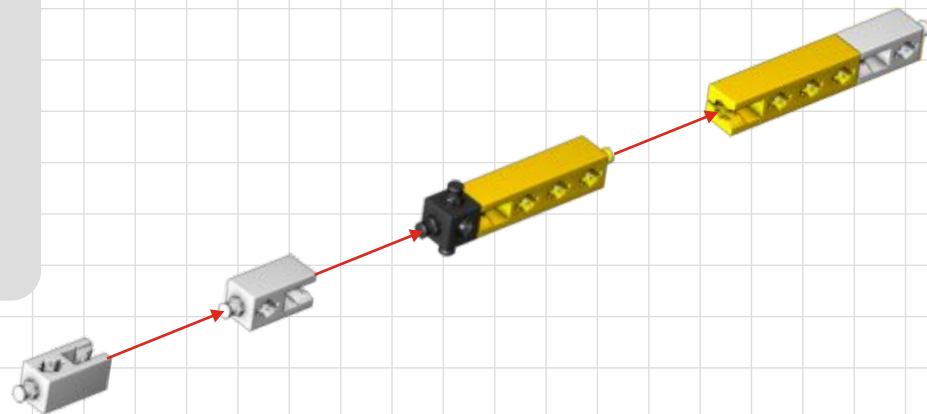




05



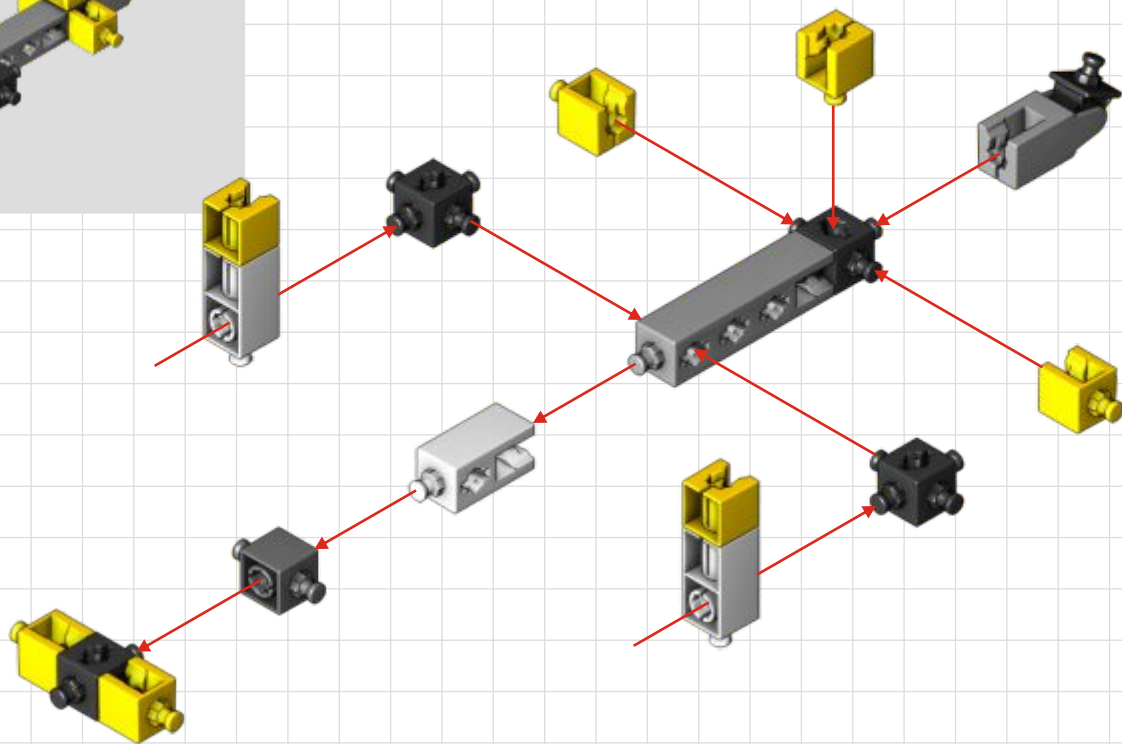
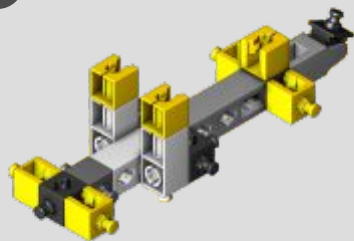
06 x2



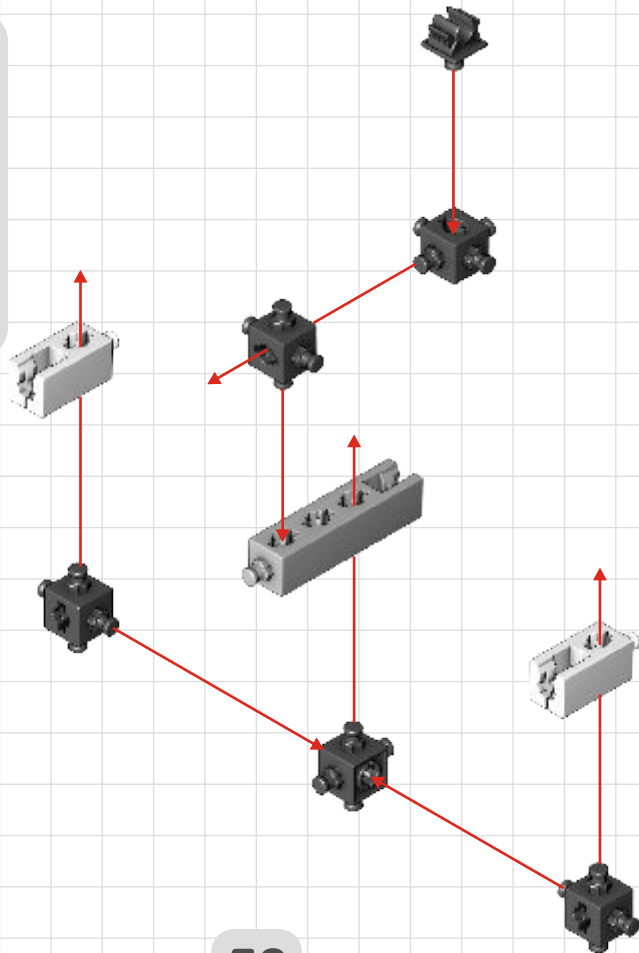
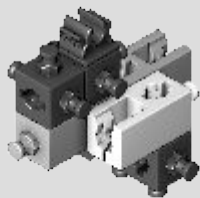
07 x4



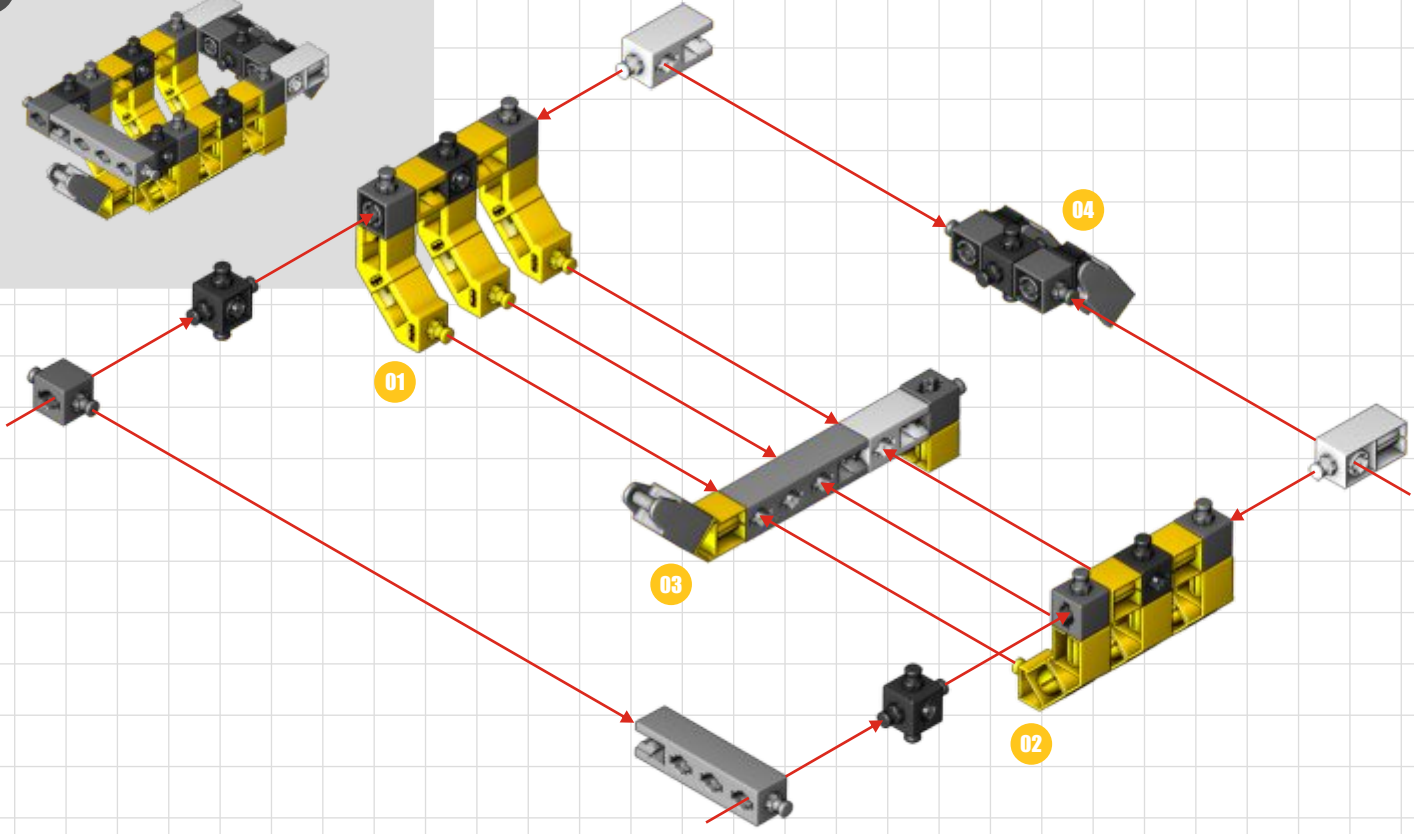
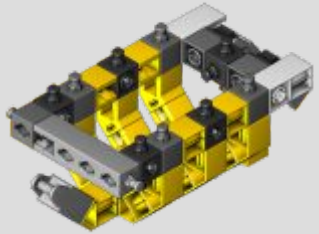
08



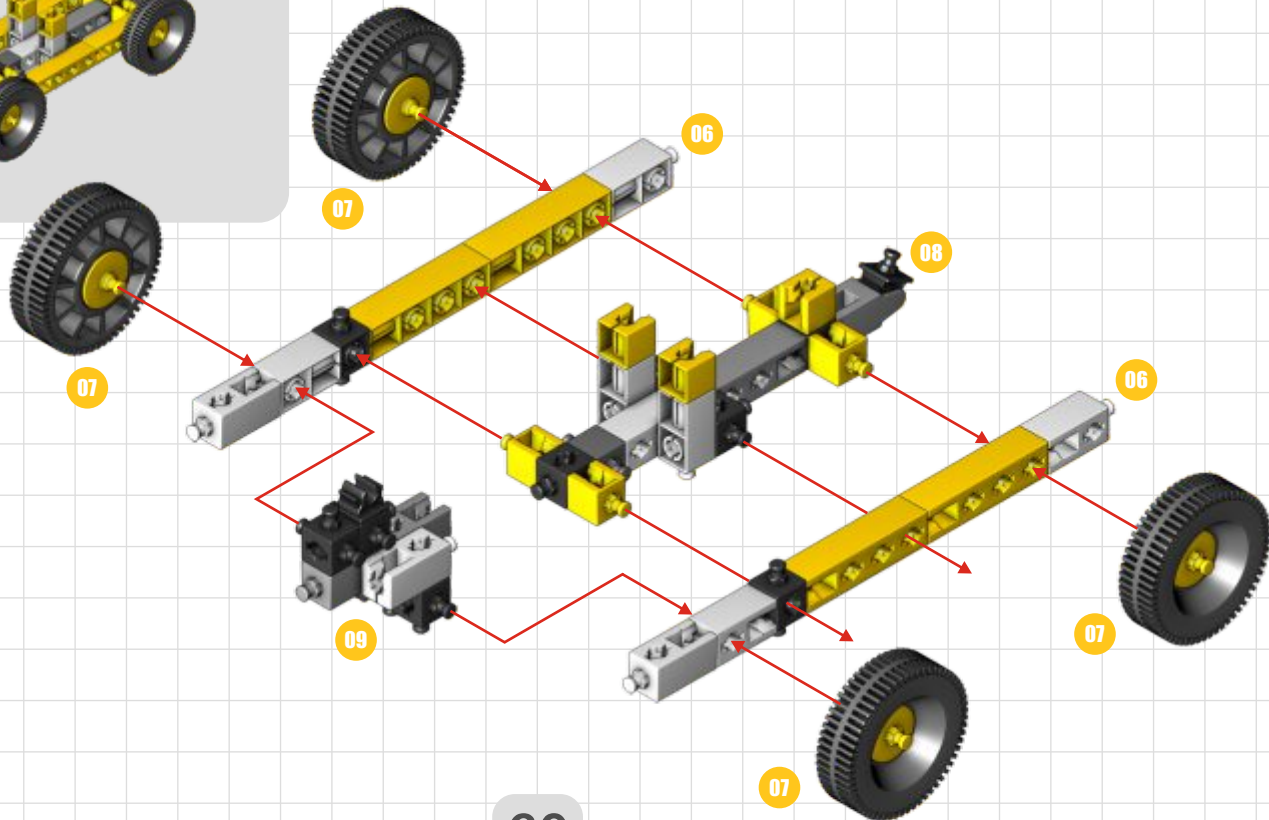
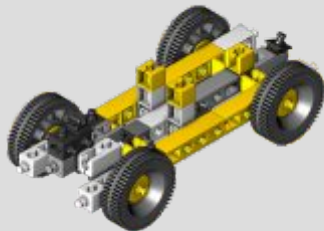
09



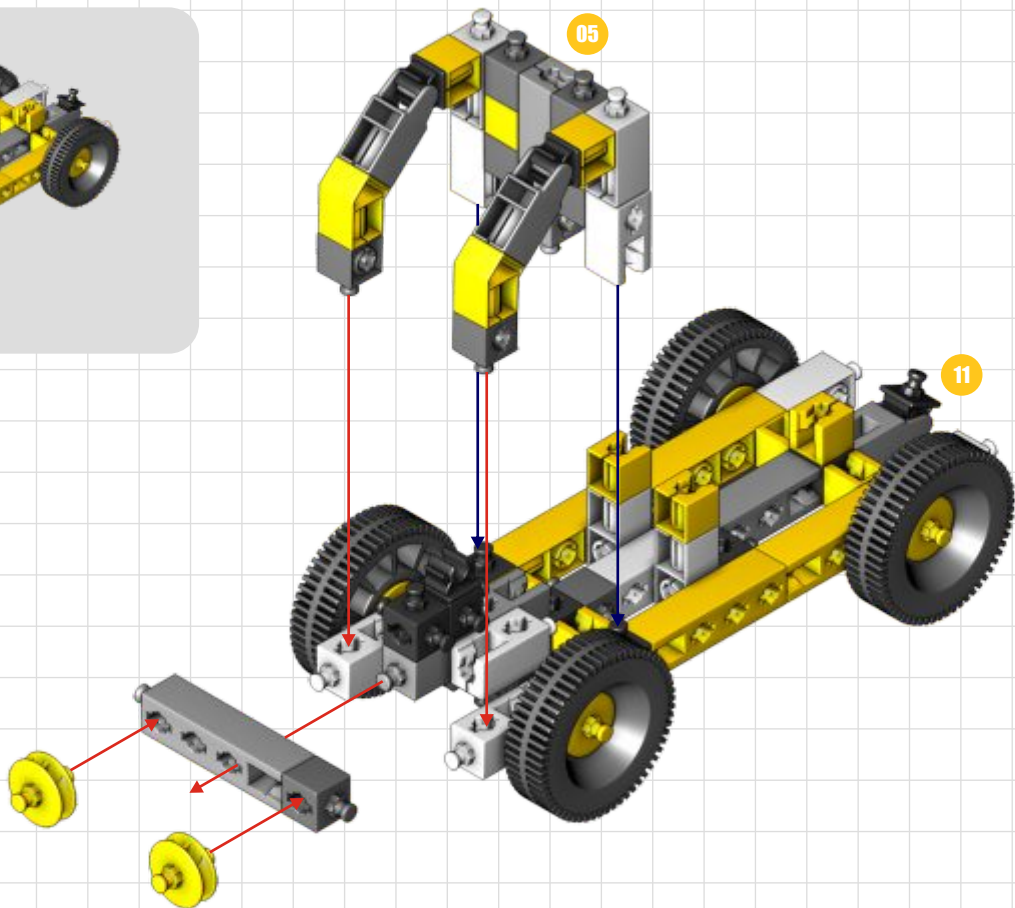
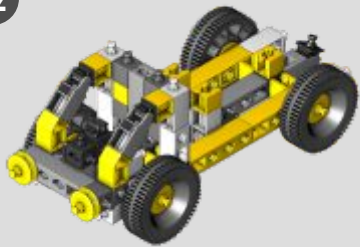
10



11



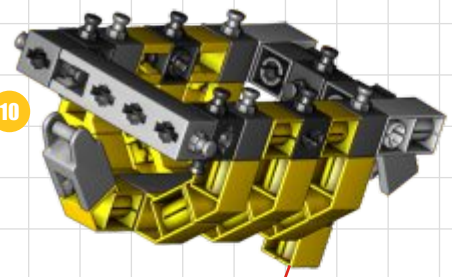
12



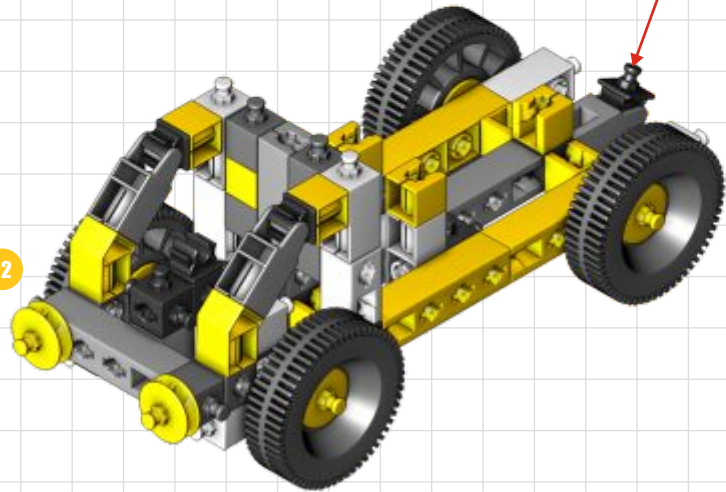
13

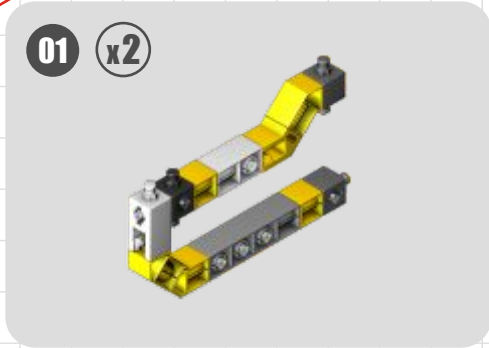
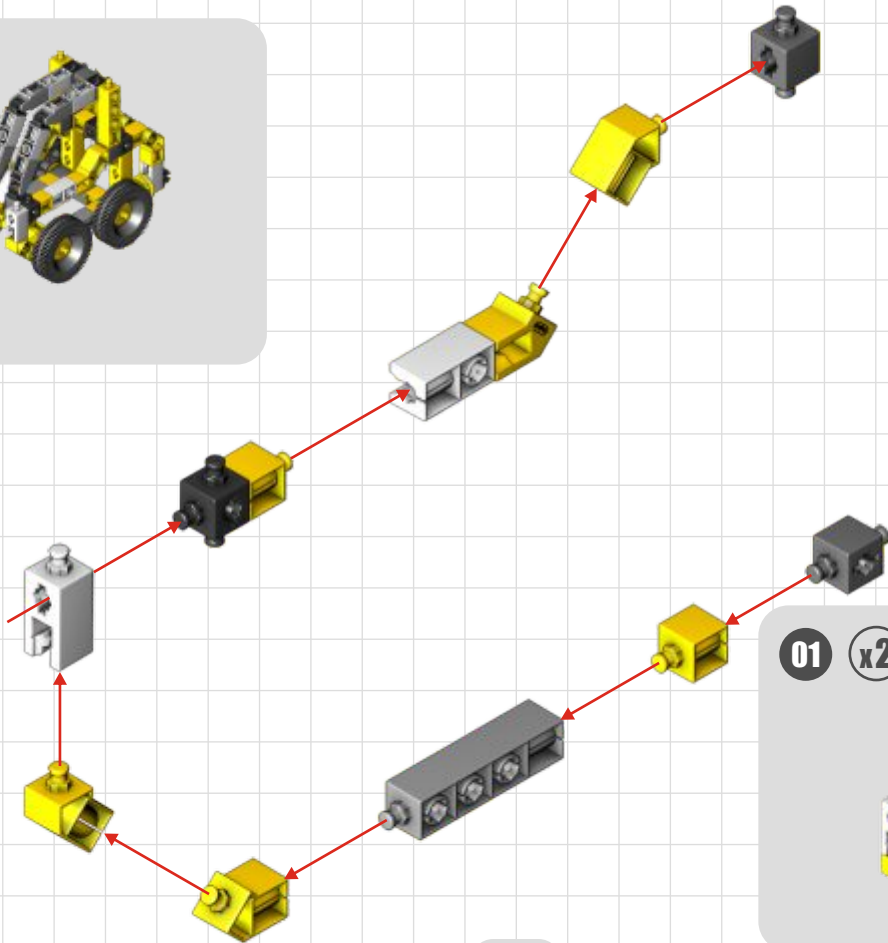


10

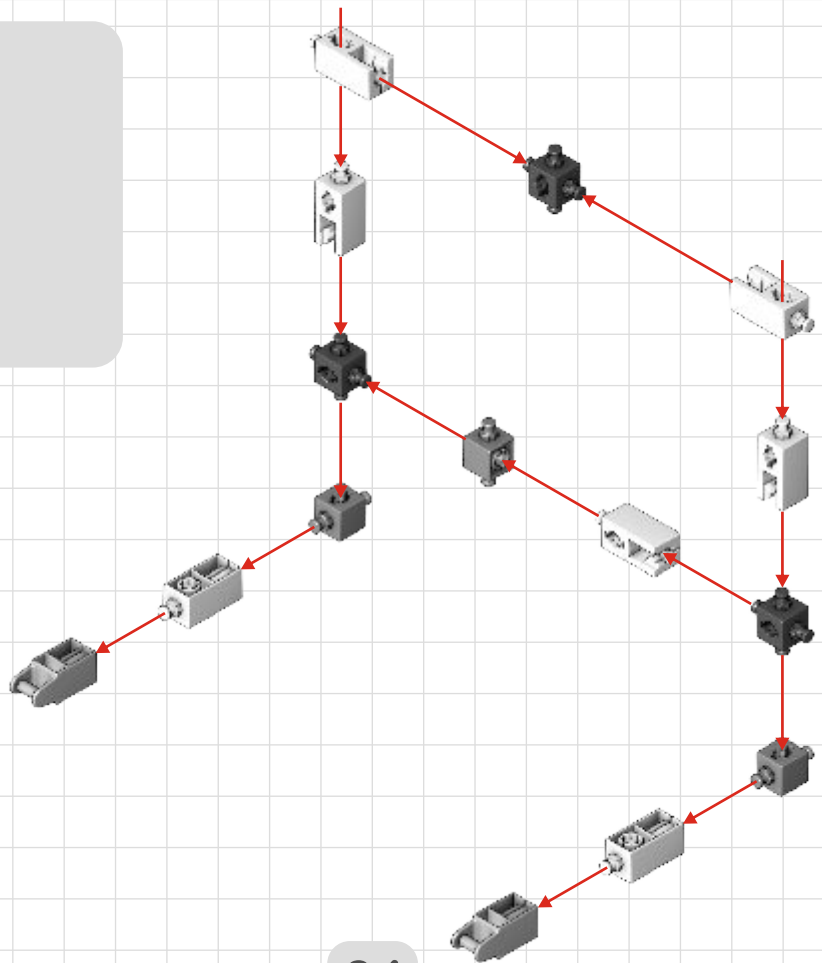
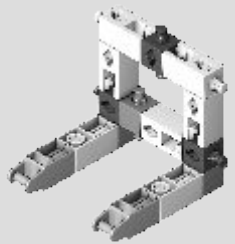


12

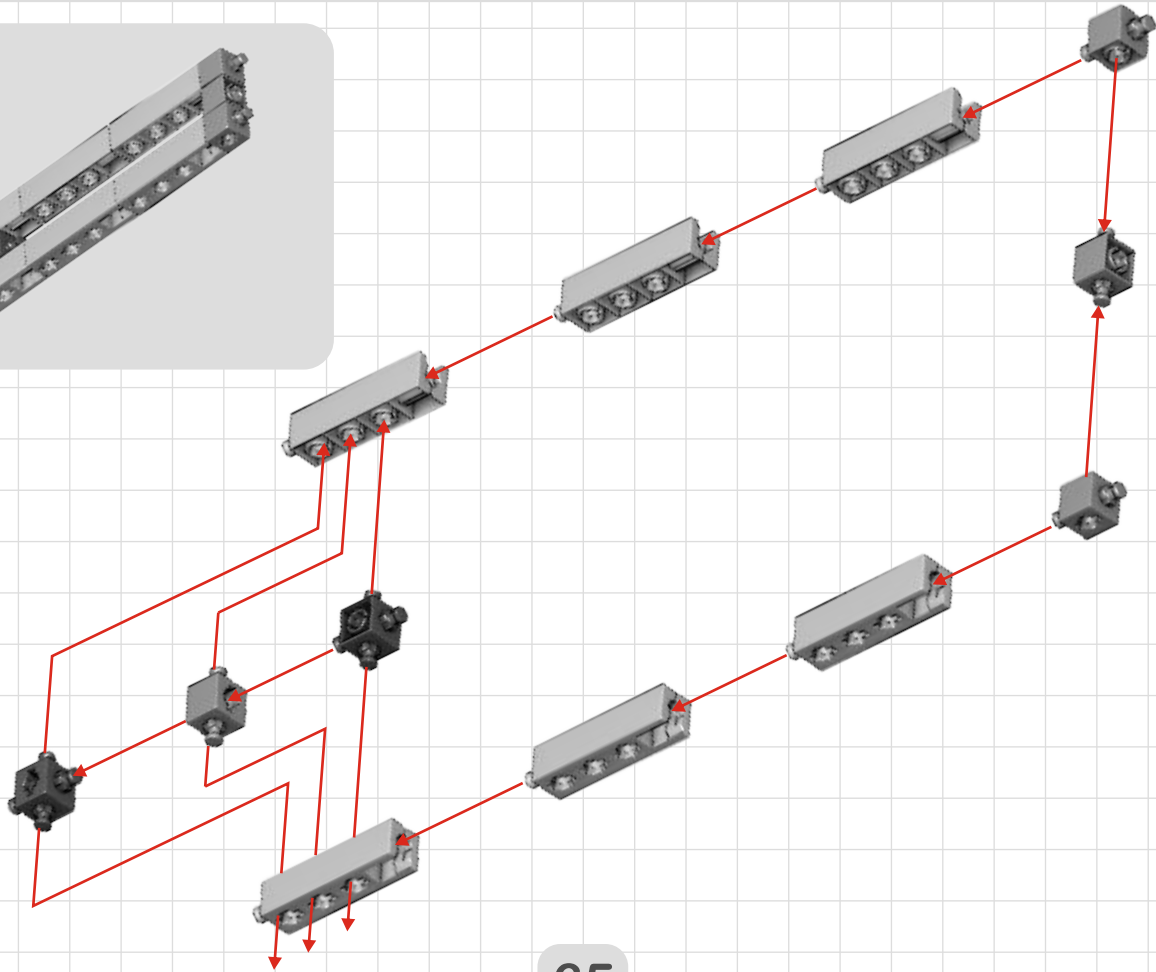
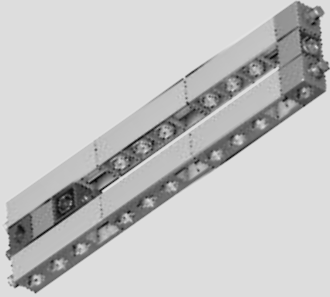




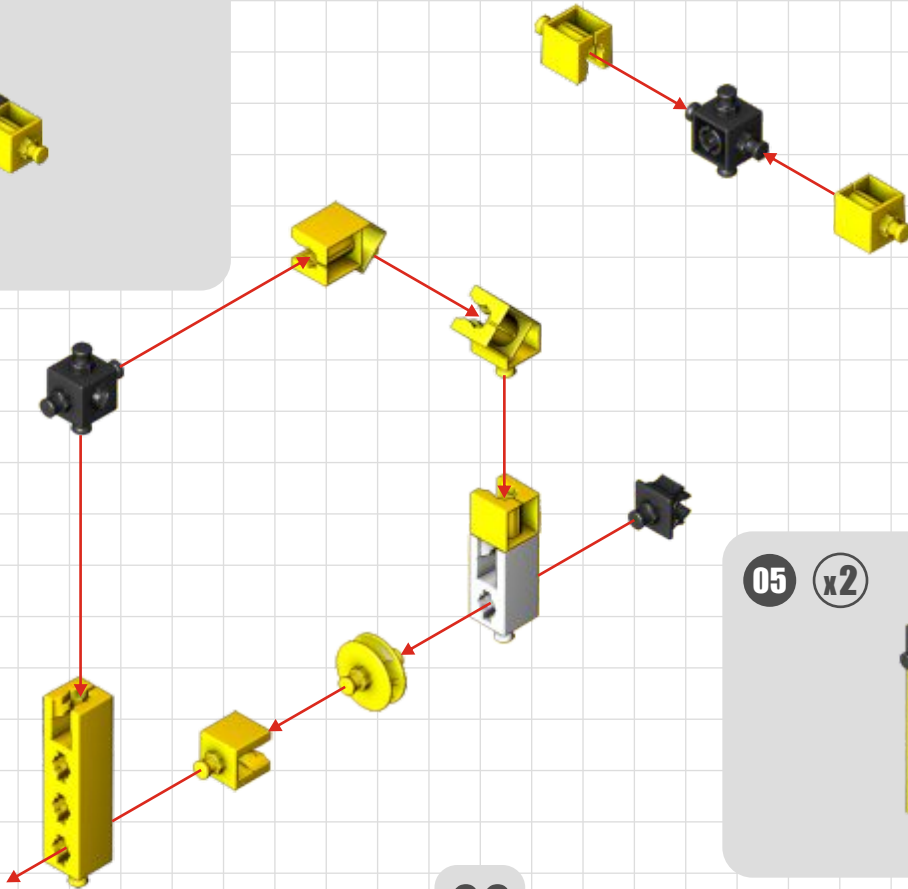
02



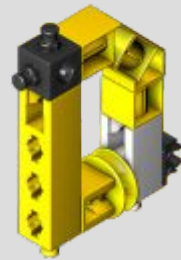
03



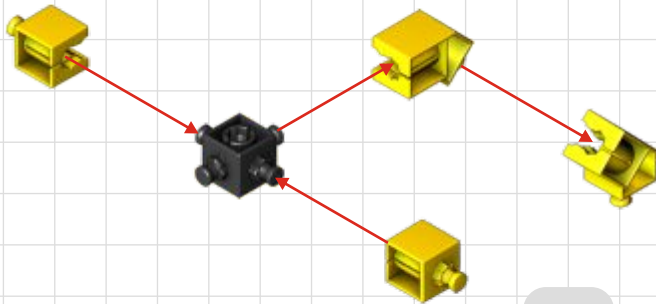
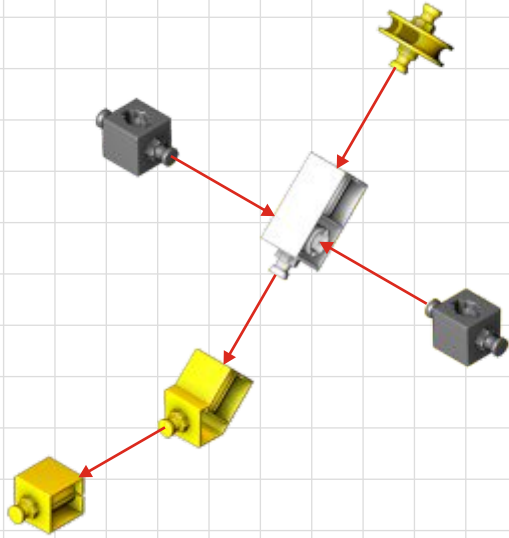
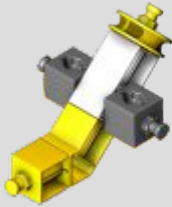
04 x2



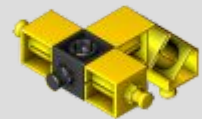
05 x2



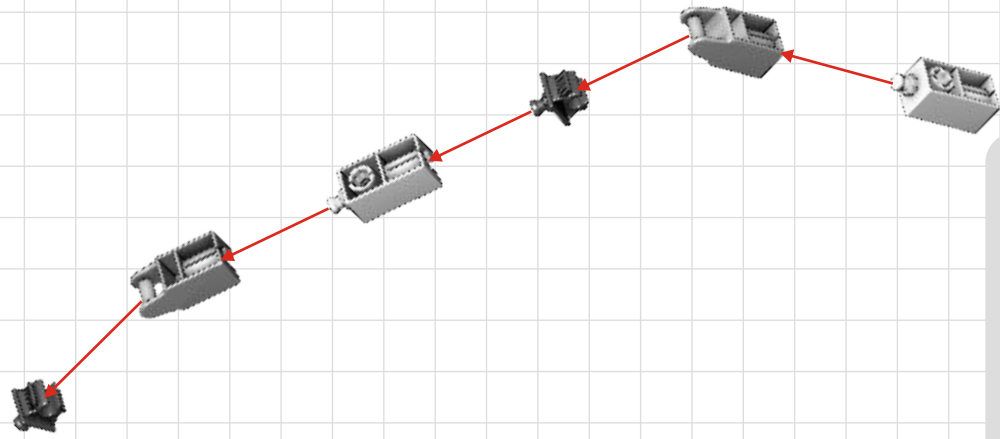
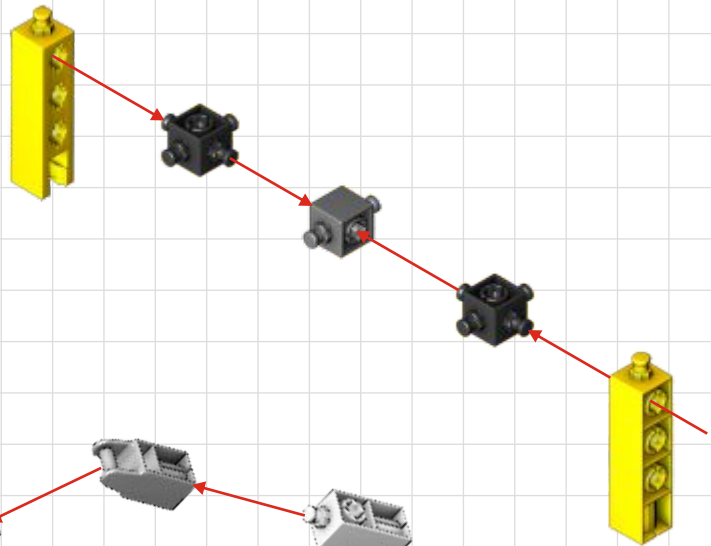
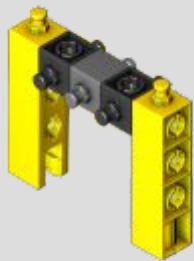
06



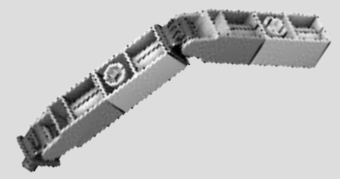
07



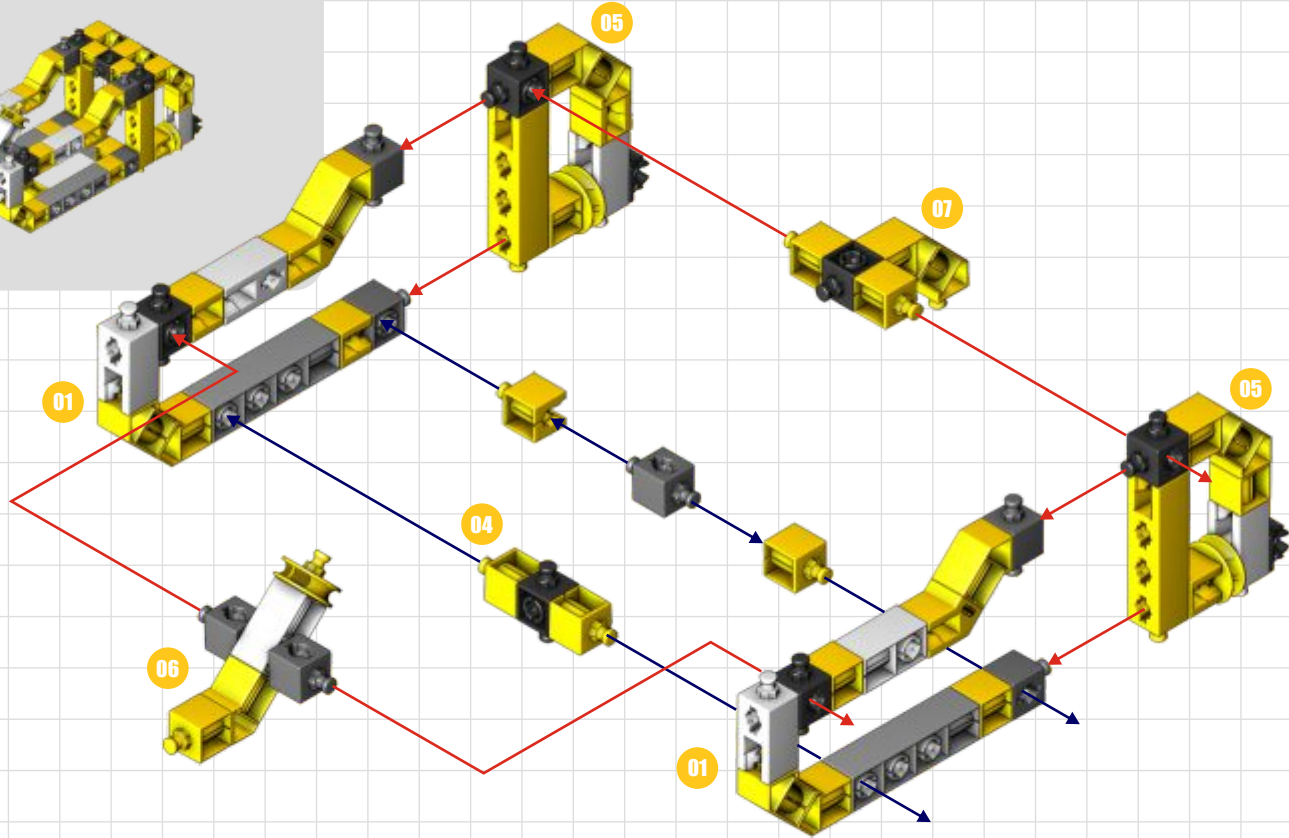
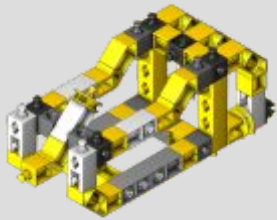
08



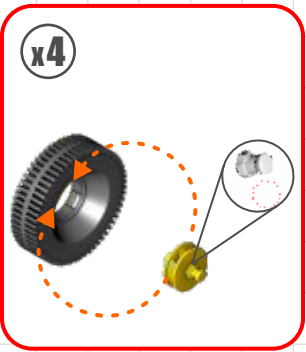
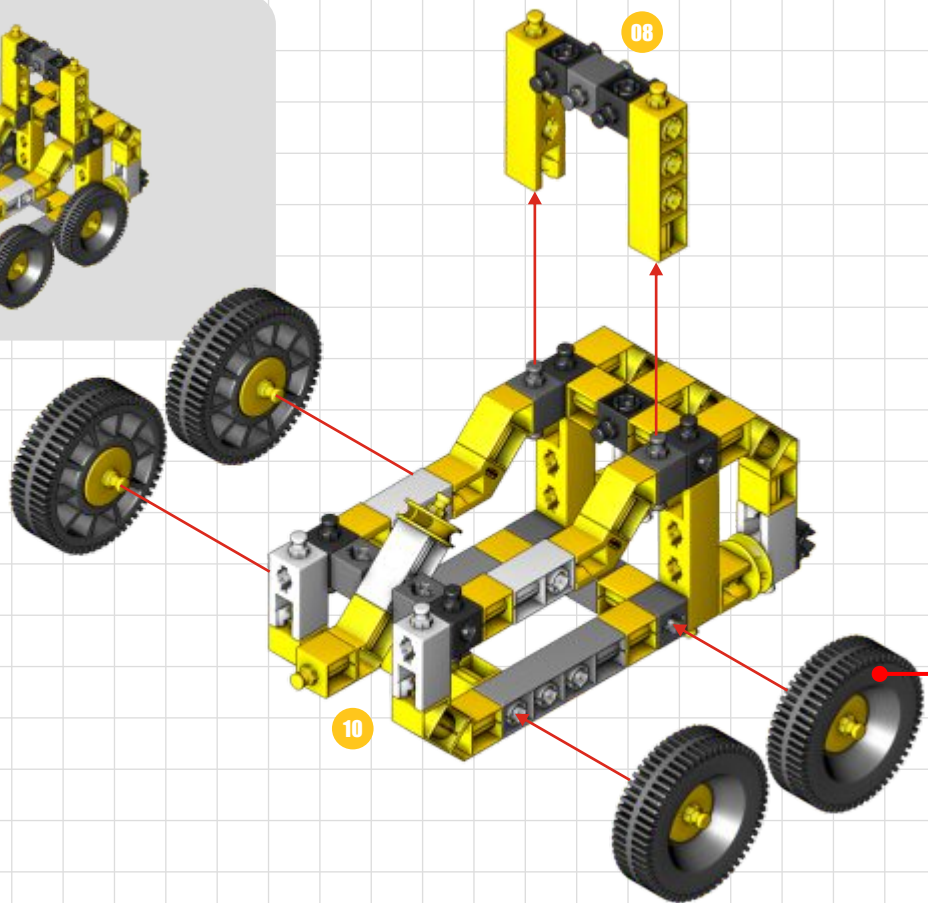
09 x2



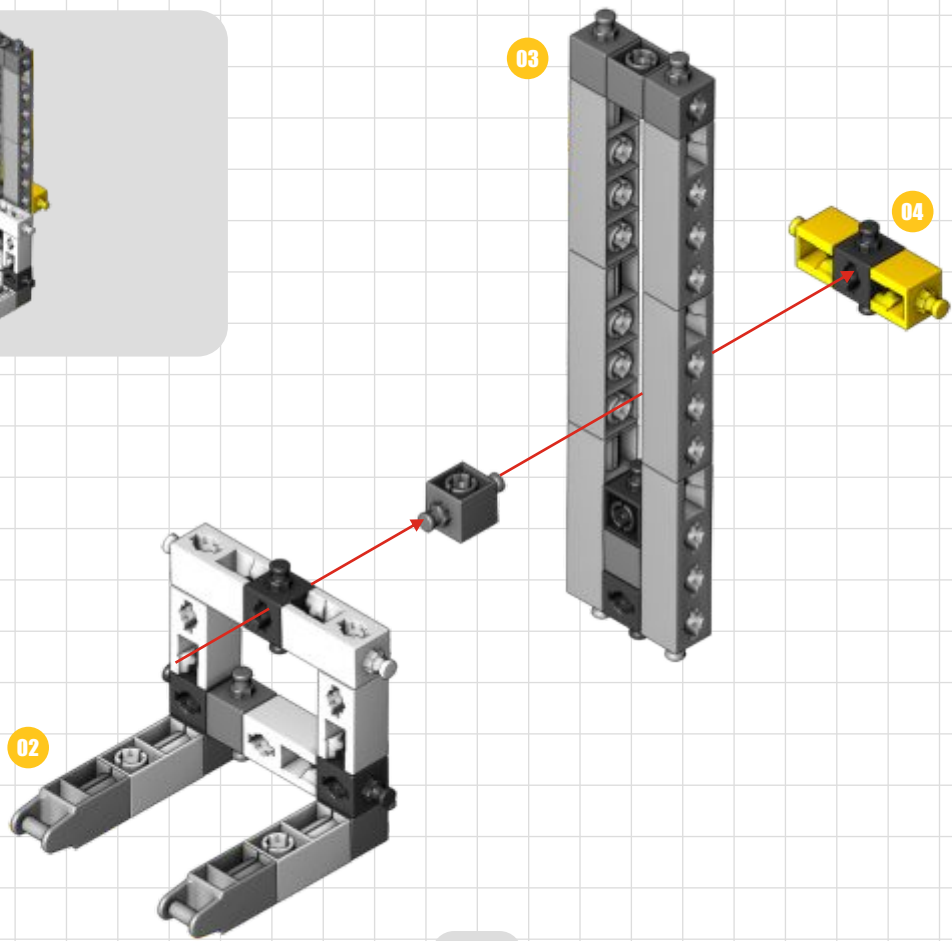
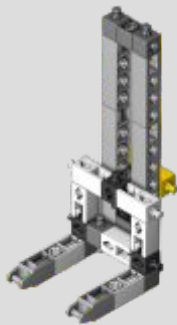
10



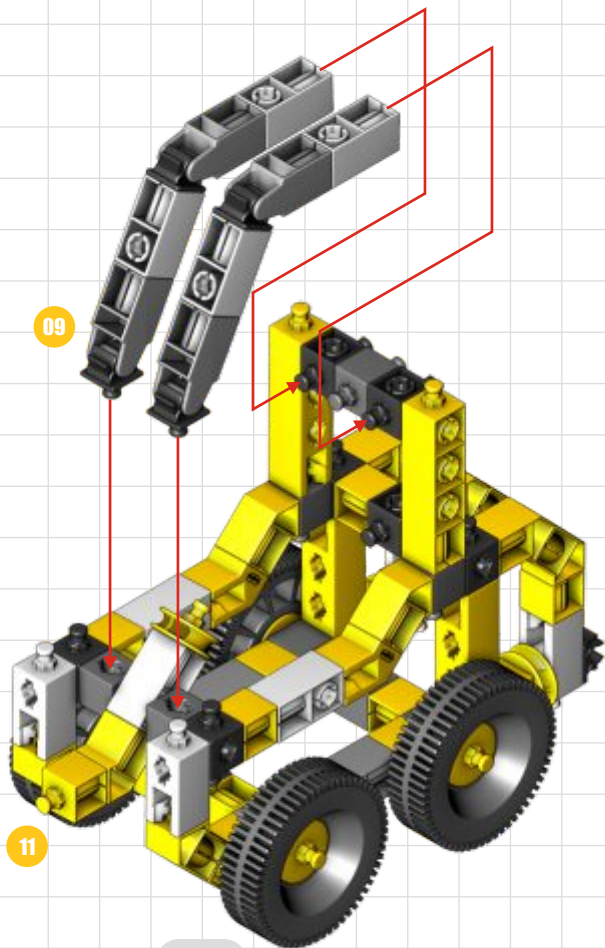
11



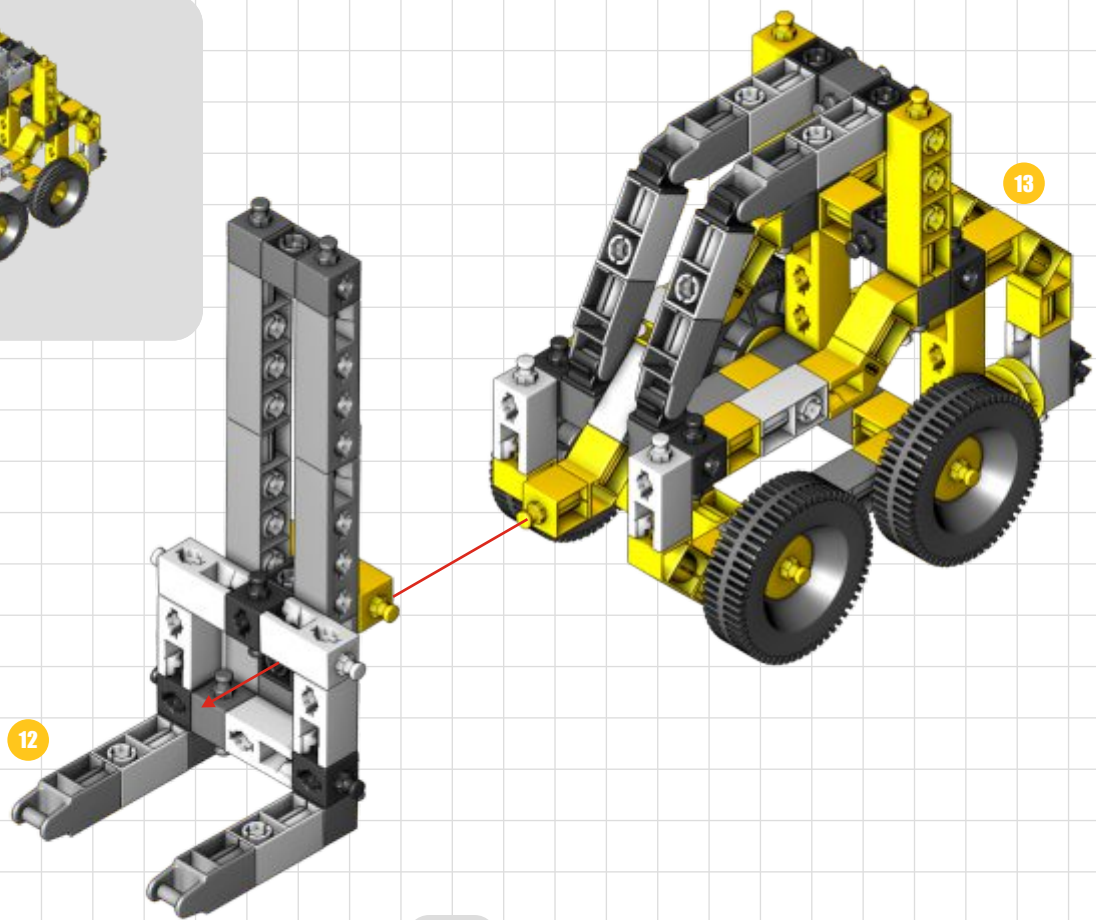
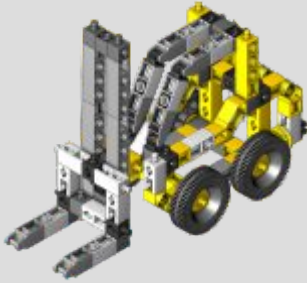
12



13

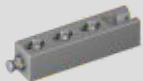


14



12

13



x5



x1



x4



x1



x4



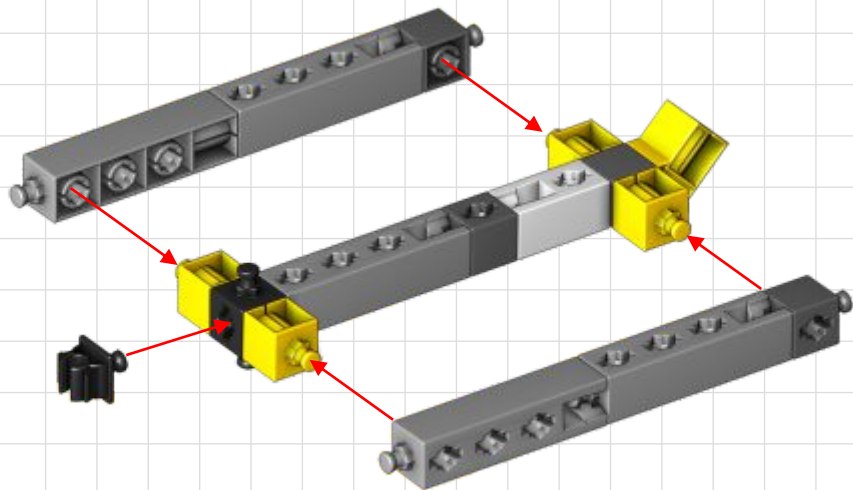
x1

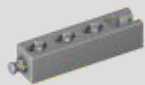


x1



01





x2



x4

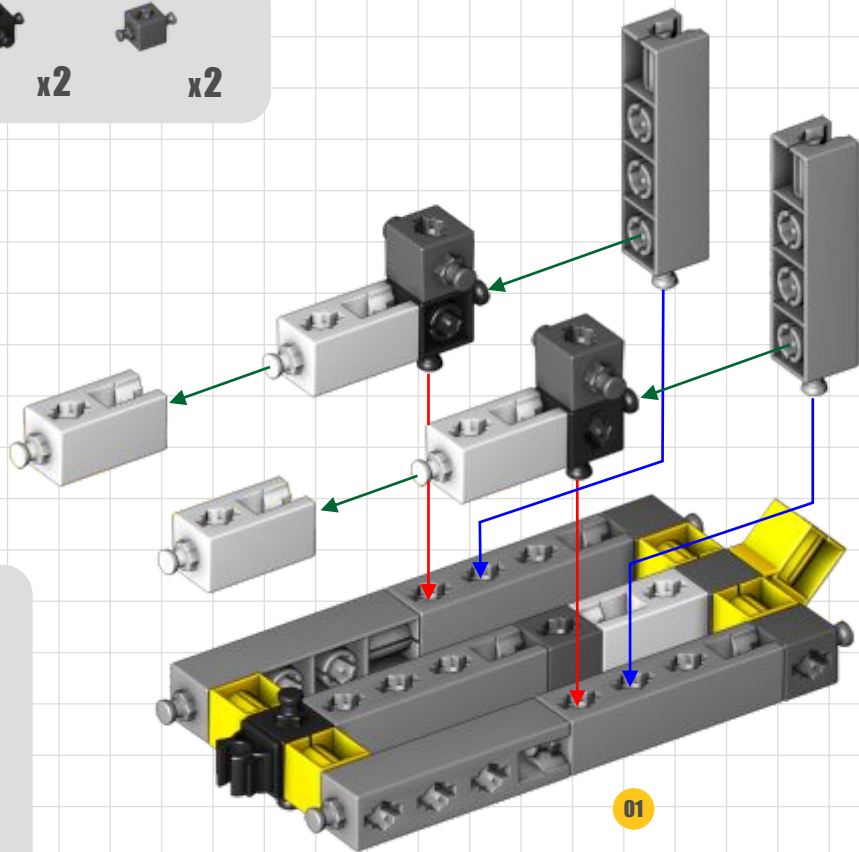
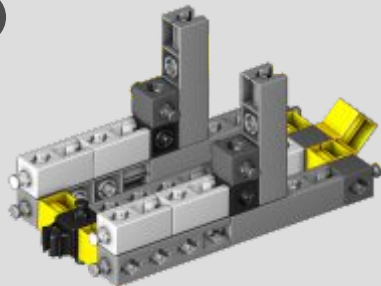


x2



x2

02





x2

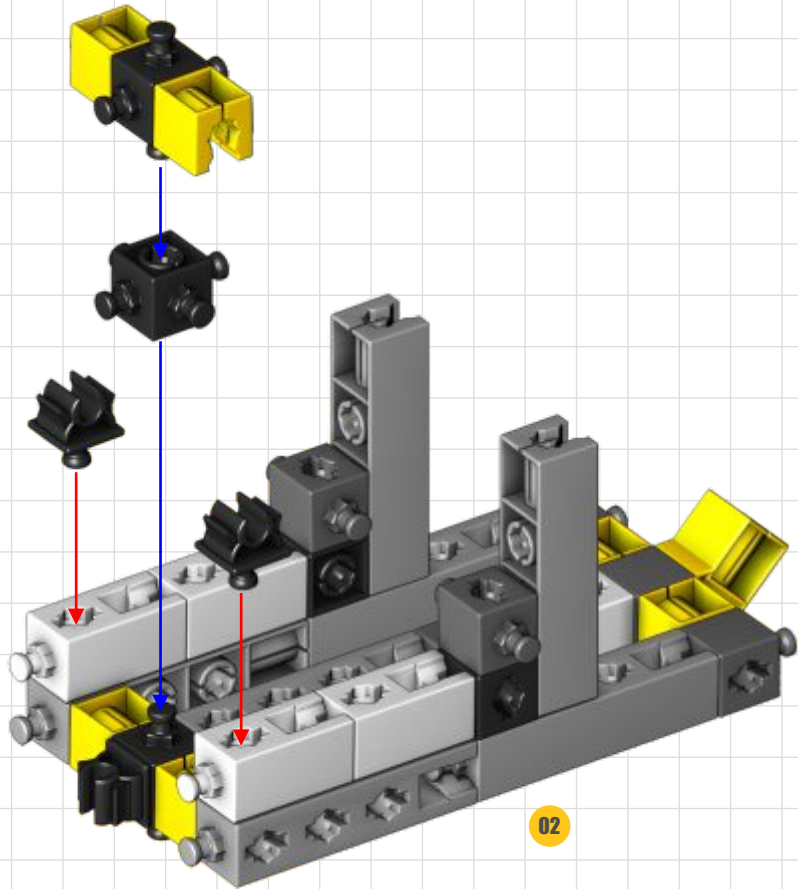
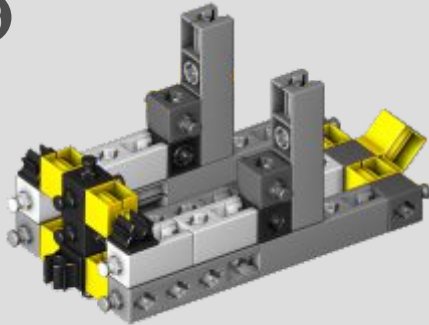


x2



x2

03



02



x2

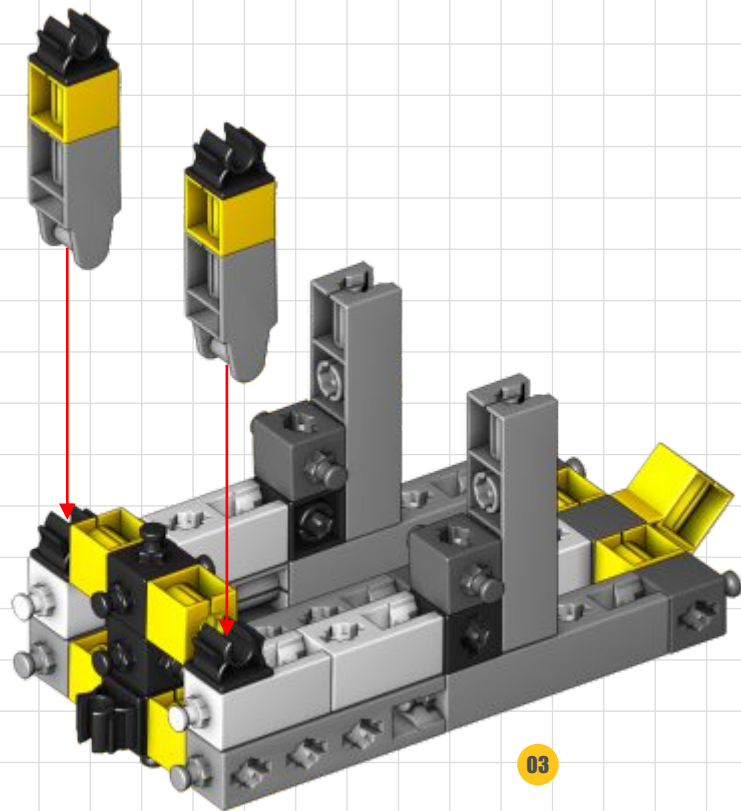
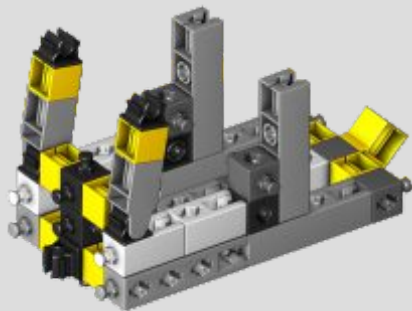


x2



x2

04





x3



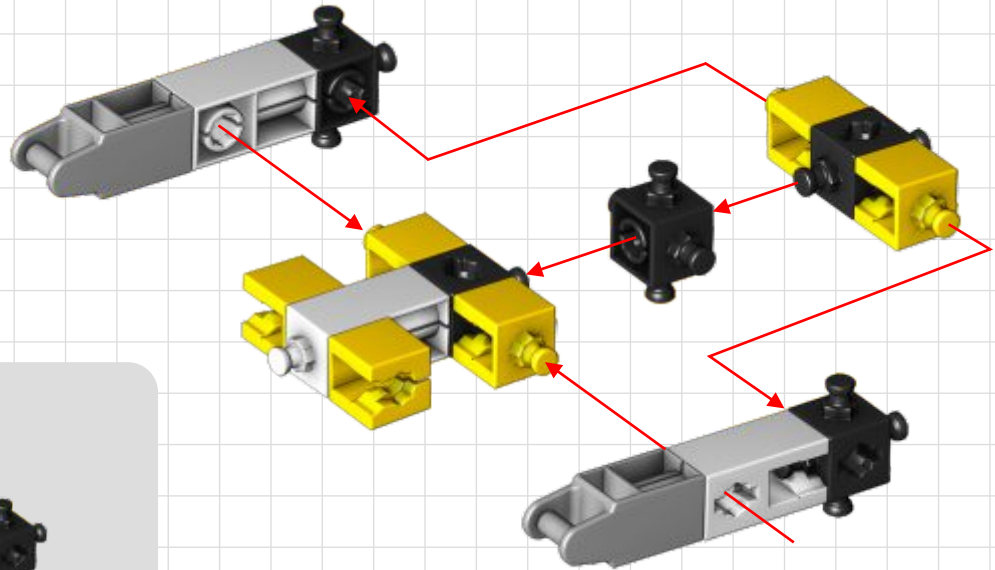
x2



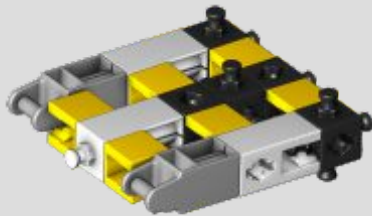
x5



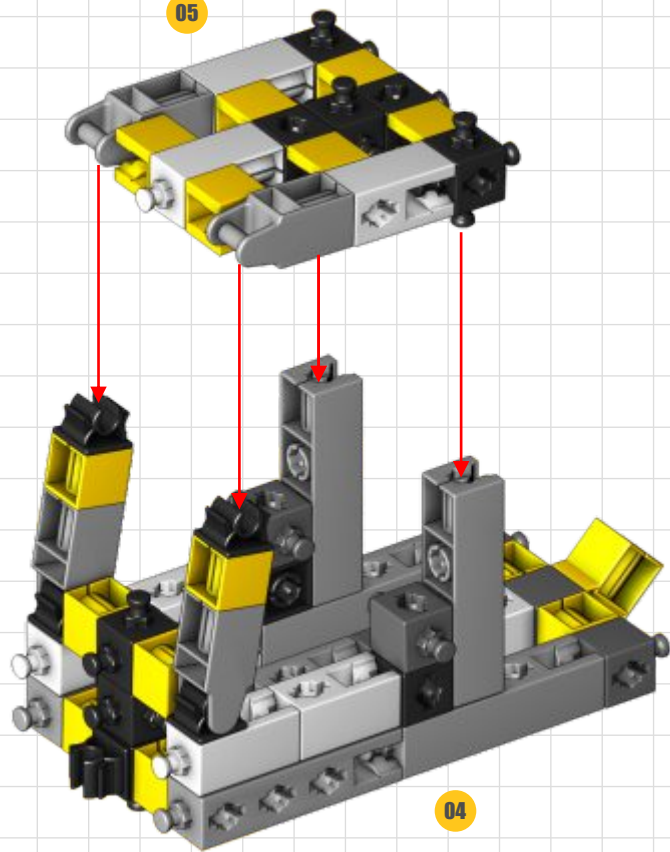
x6



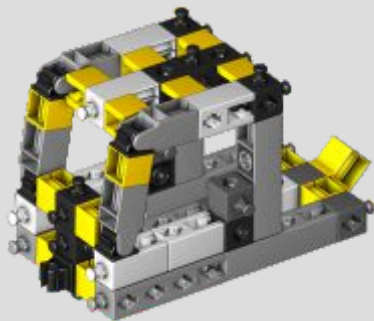
05



05



06





x5



x1



x2



x3

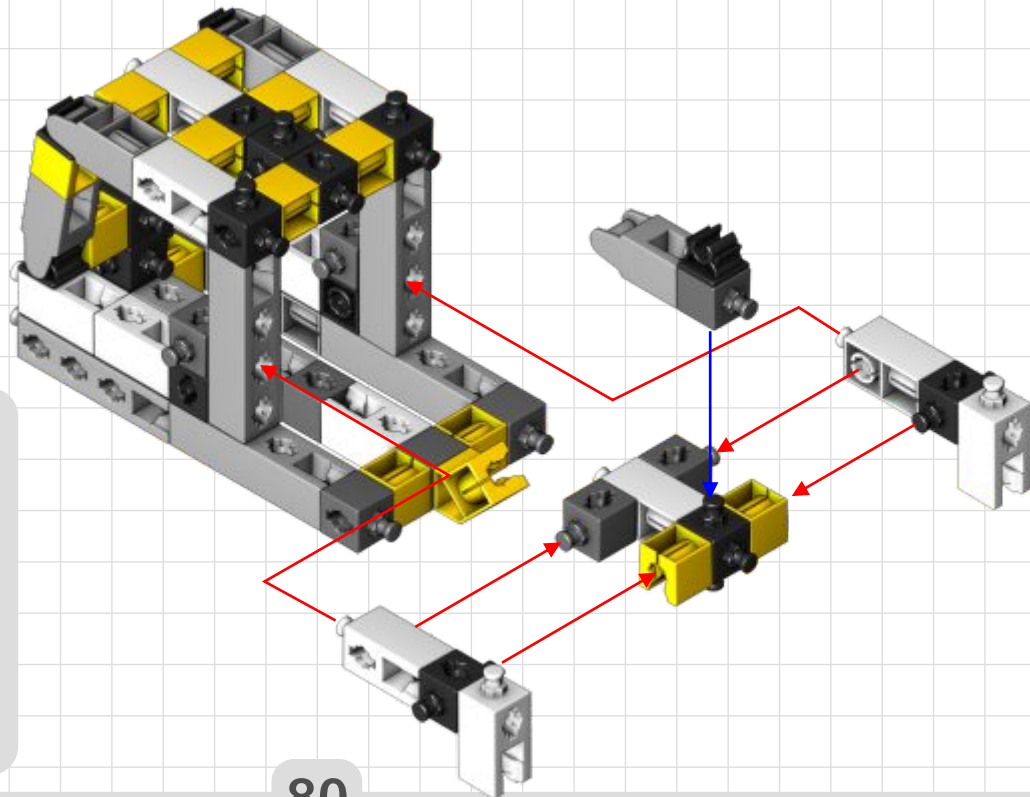


x3

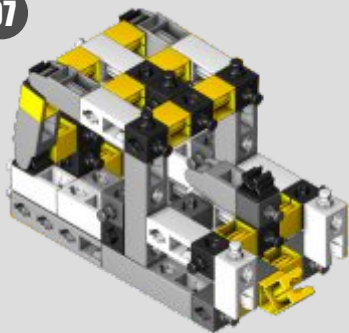


x1

06

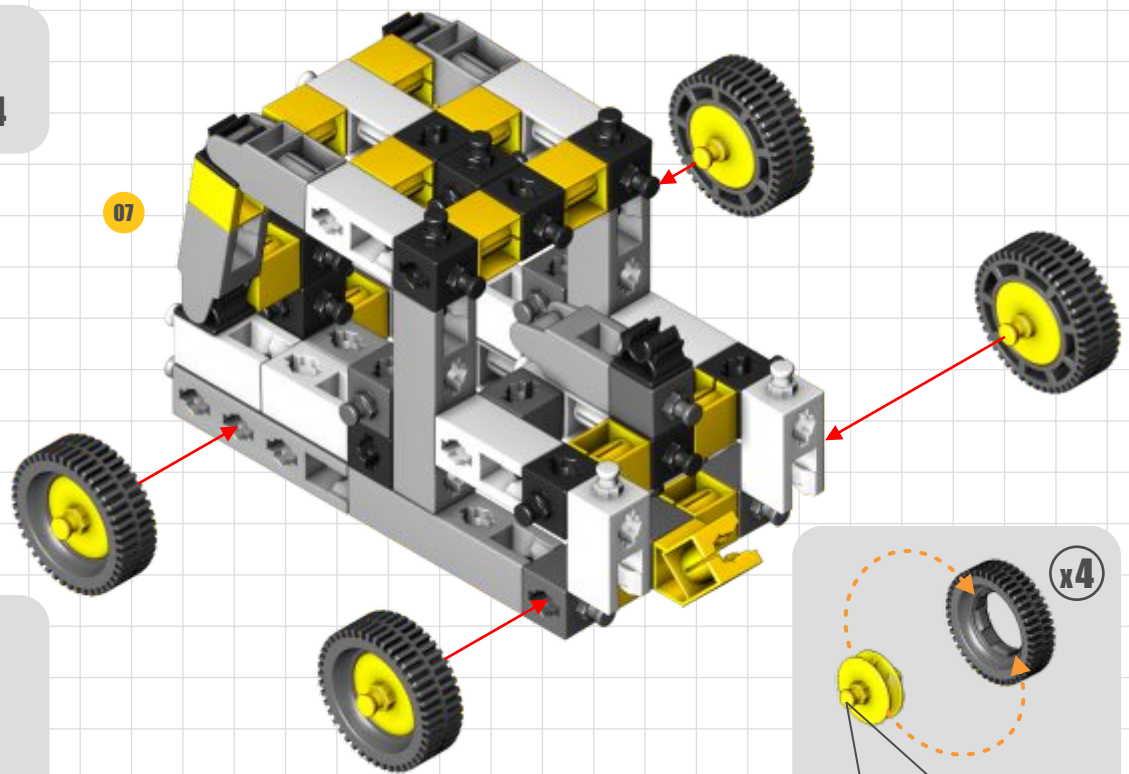


07

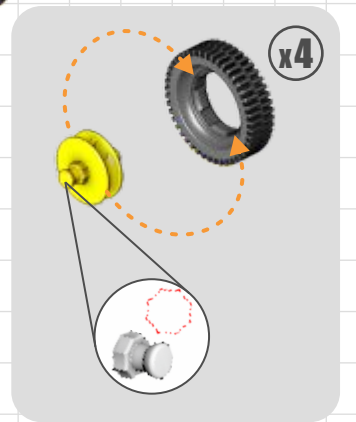


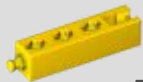


07



08





x4

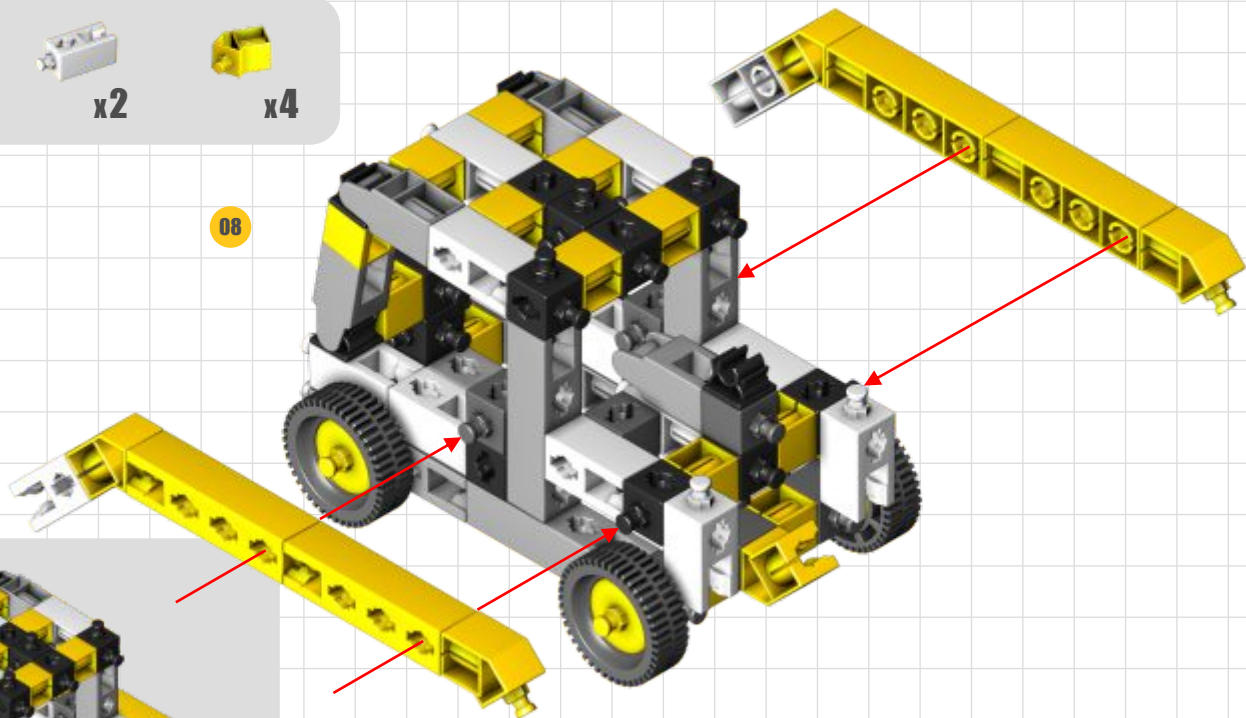


x2

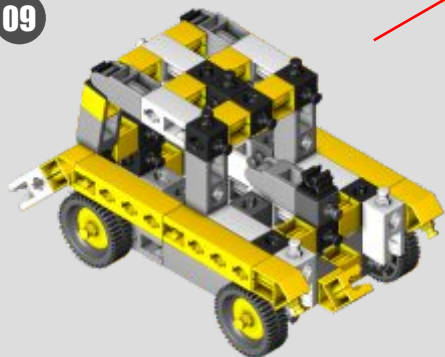


x4

08



09





x2



x1



x10



x2

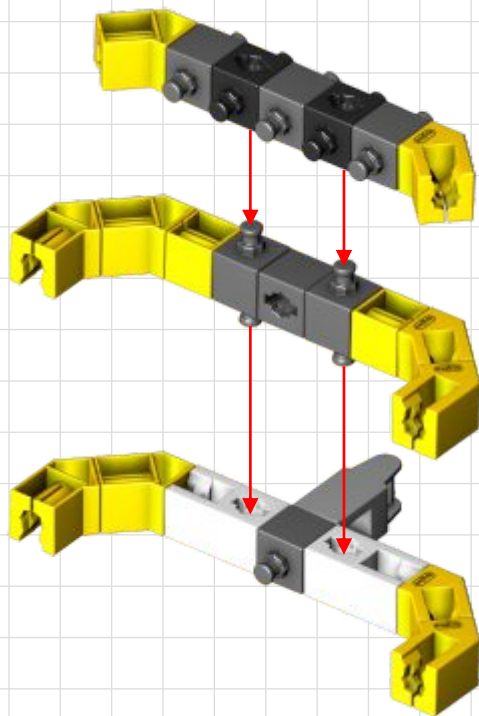
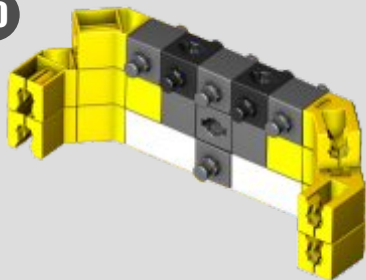


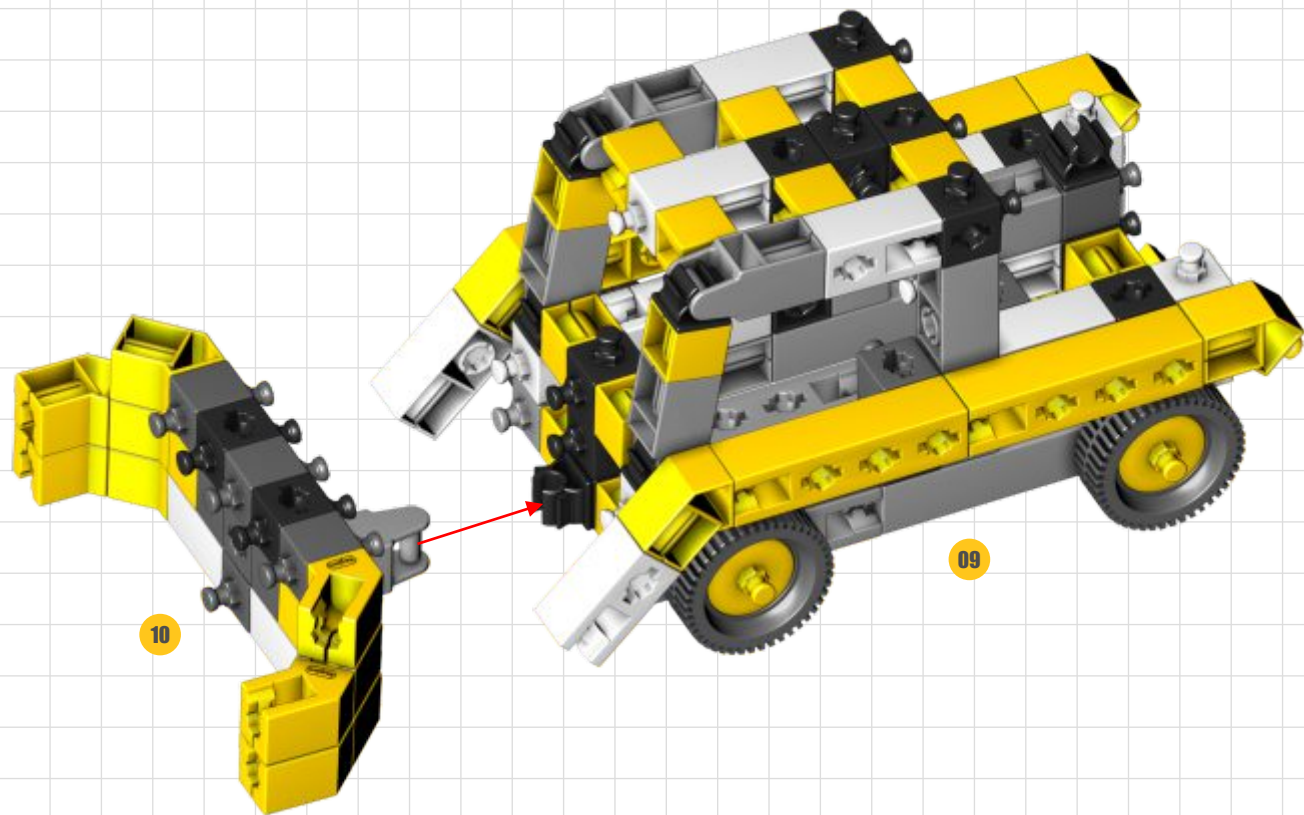
x2



x7

10





10

09



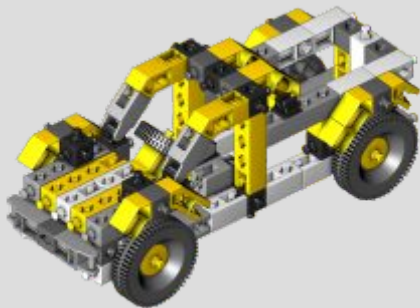
x1



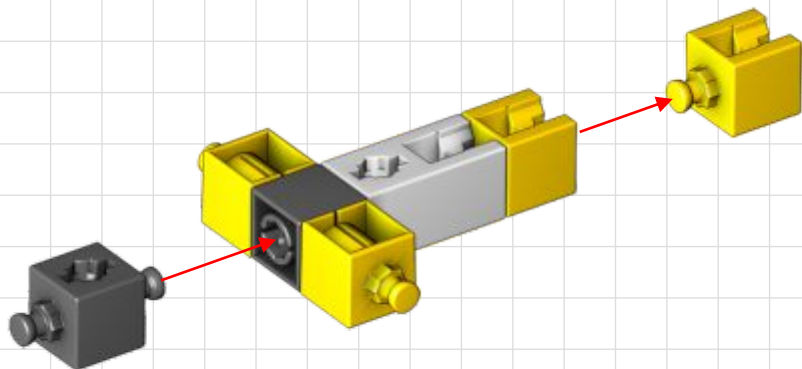
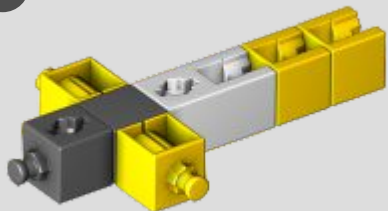
x4



x2



01





x2



x2



x1



1
S
tire

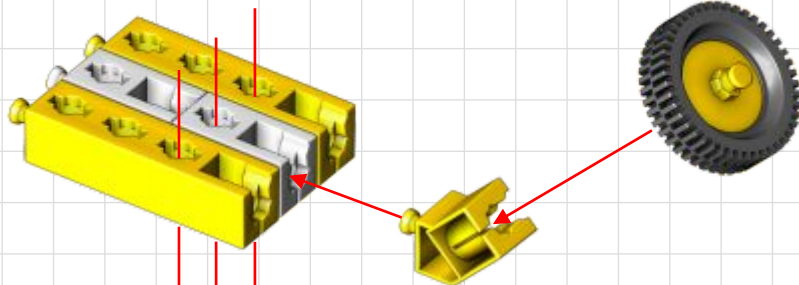
x1



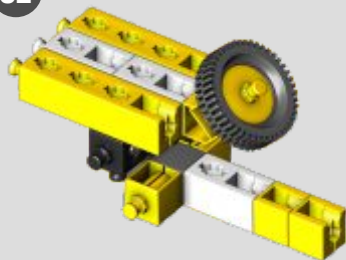
x1



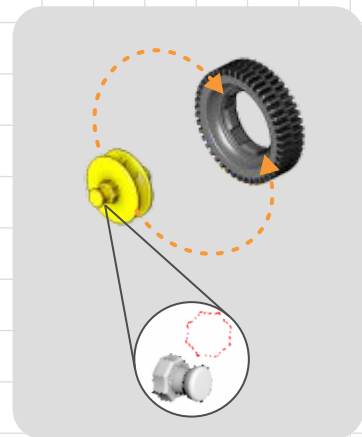
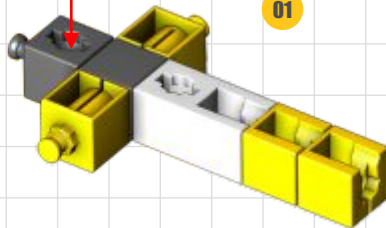
x3



02



01





x2

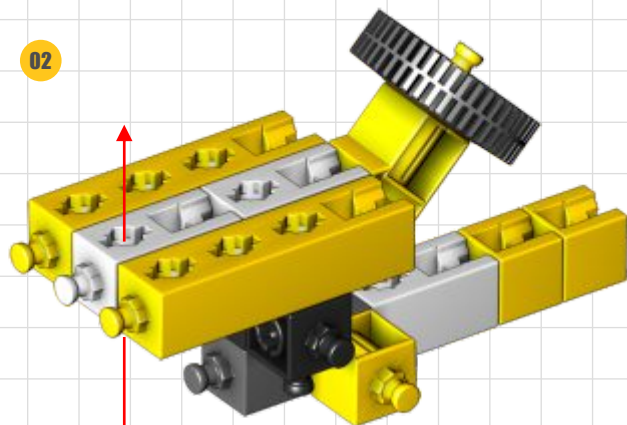


x3

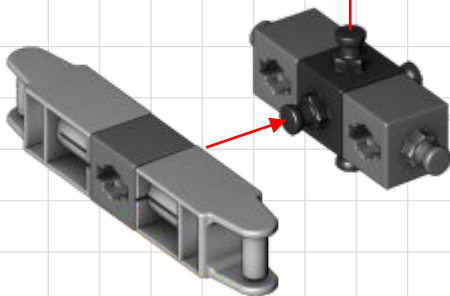
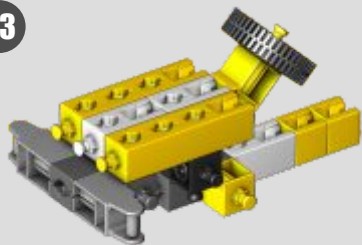


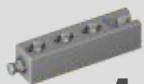
x1

02



03





x4



x5



x5



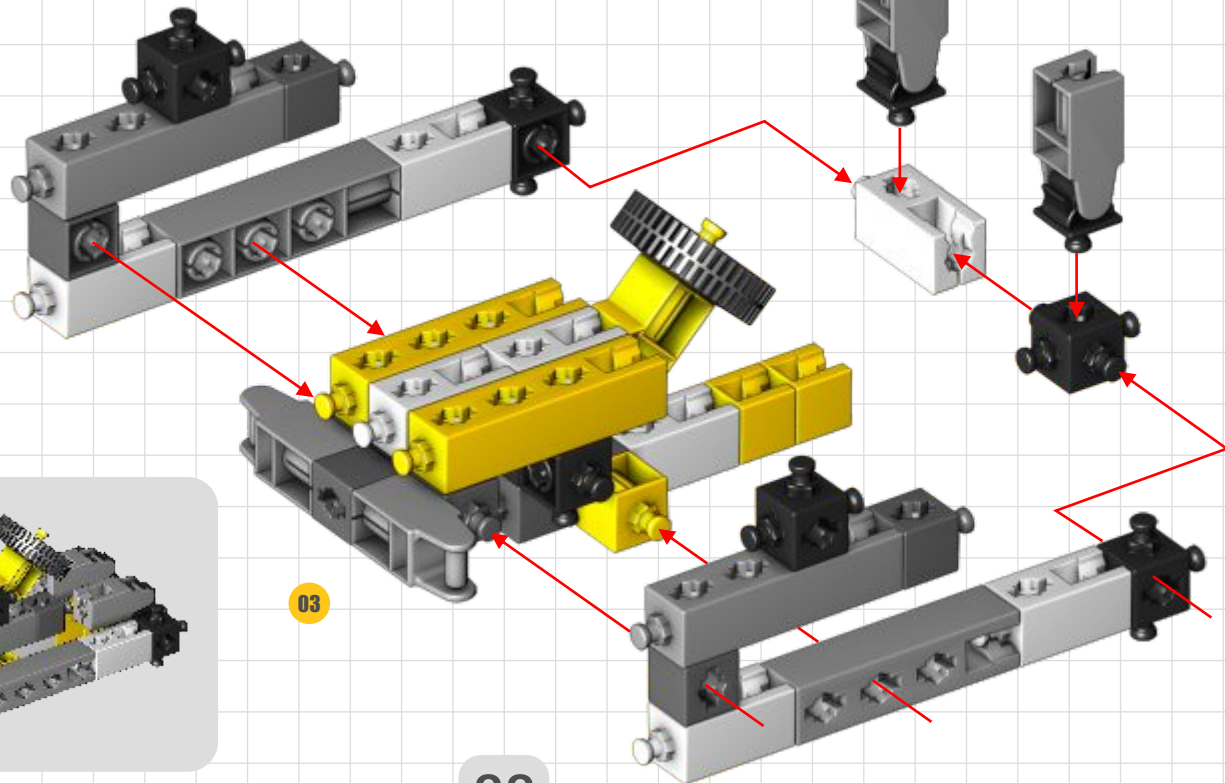
x4



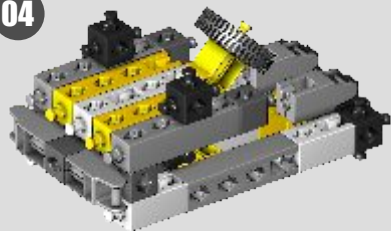
x2



x2



04





x2



x4



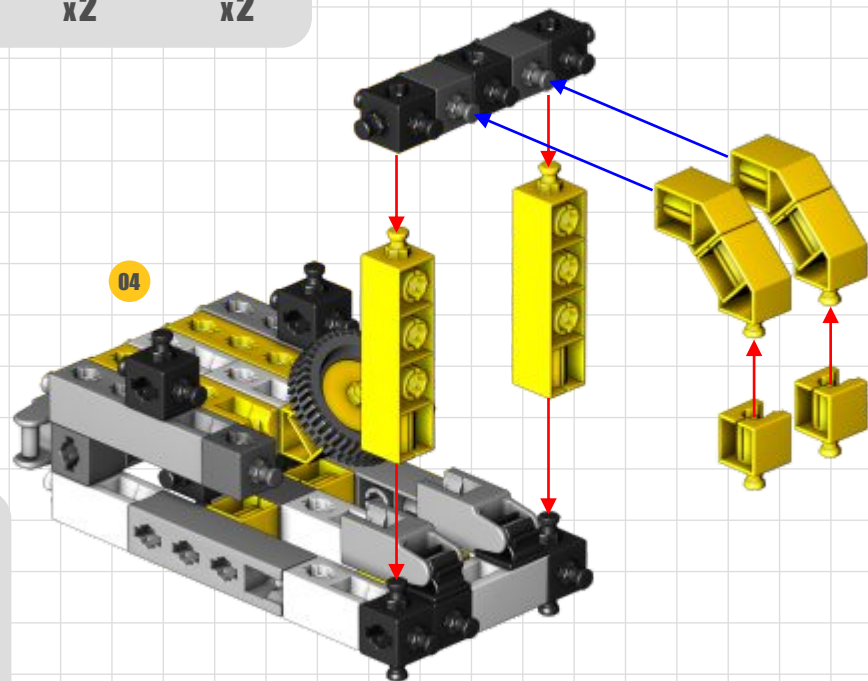
x3



x2

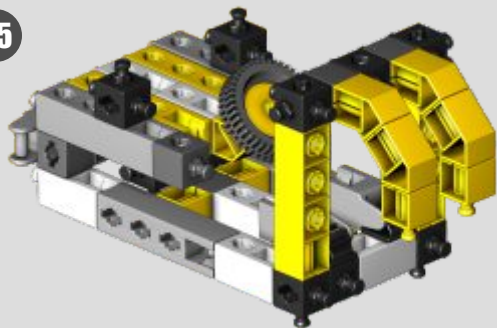


x2



04

05





x2



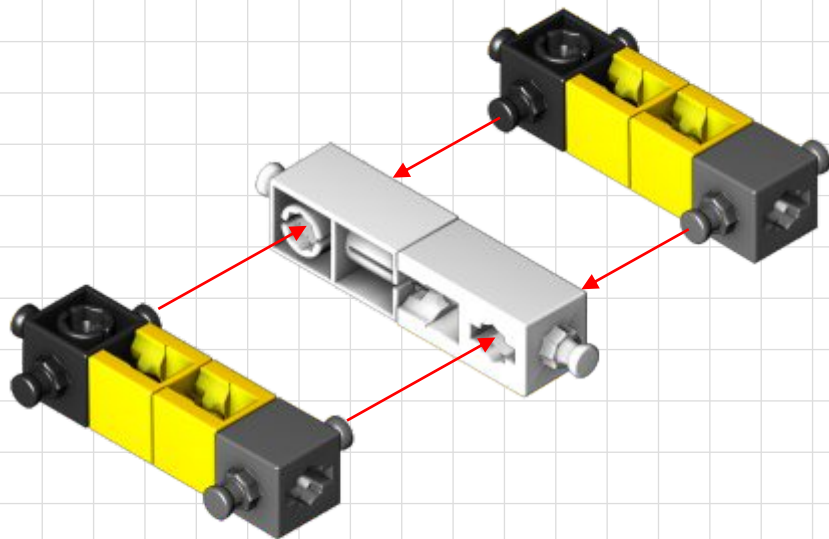
x2



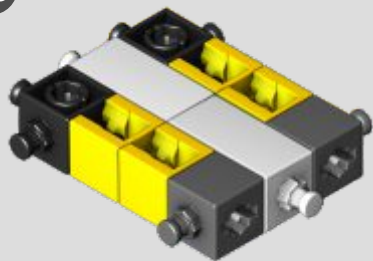
x4

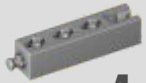


x2



06





x4



x8



x2

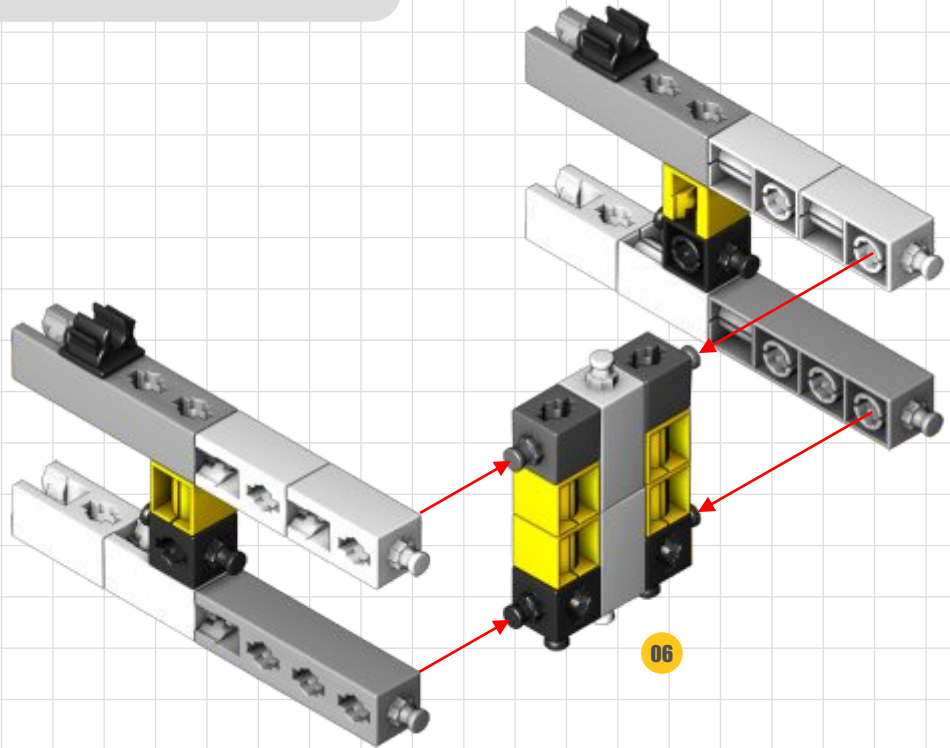
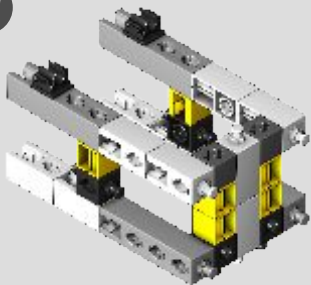


x2

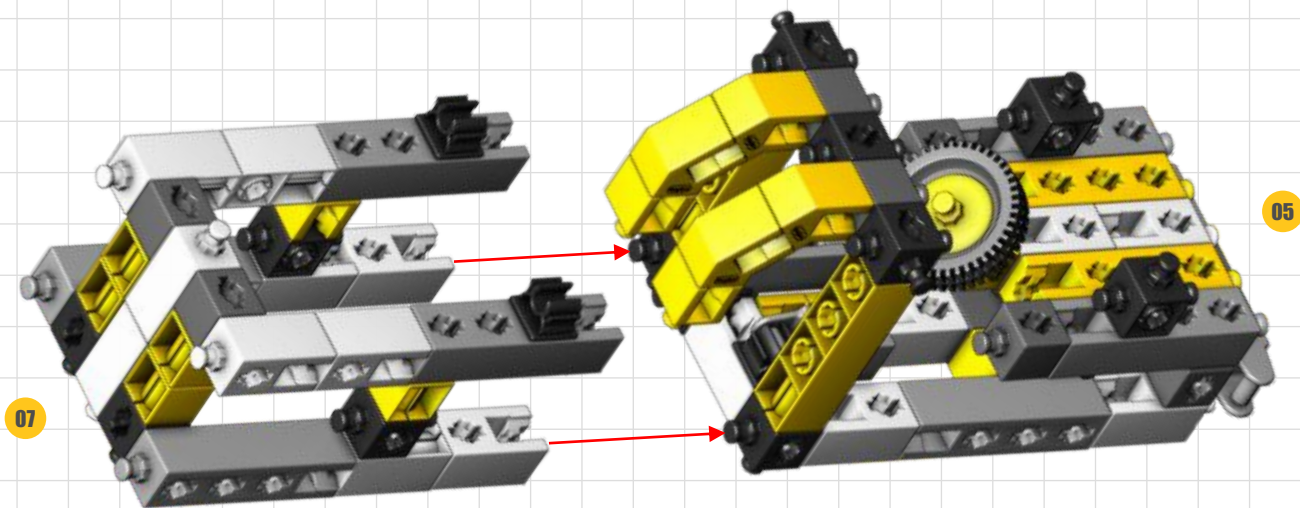


x2

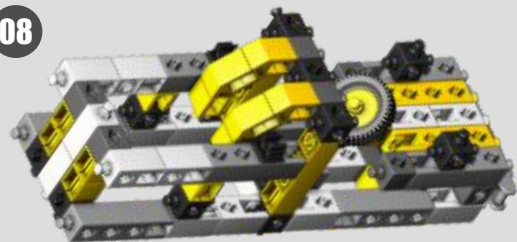
07



06



08





x2



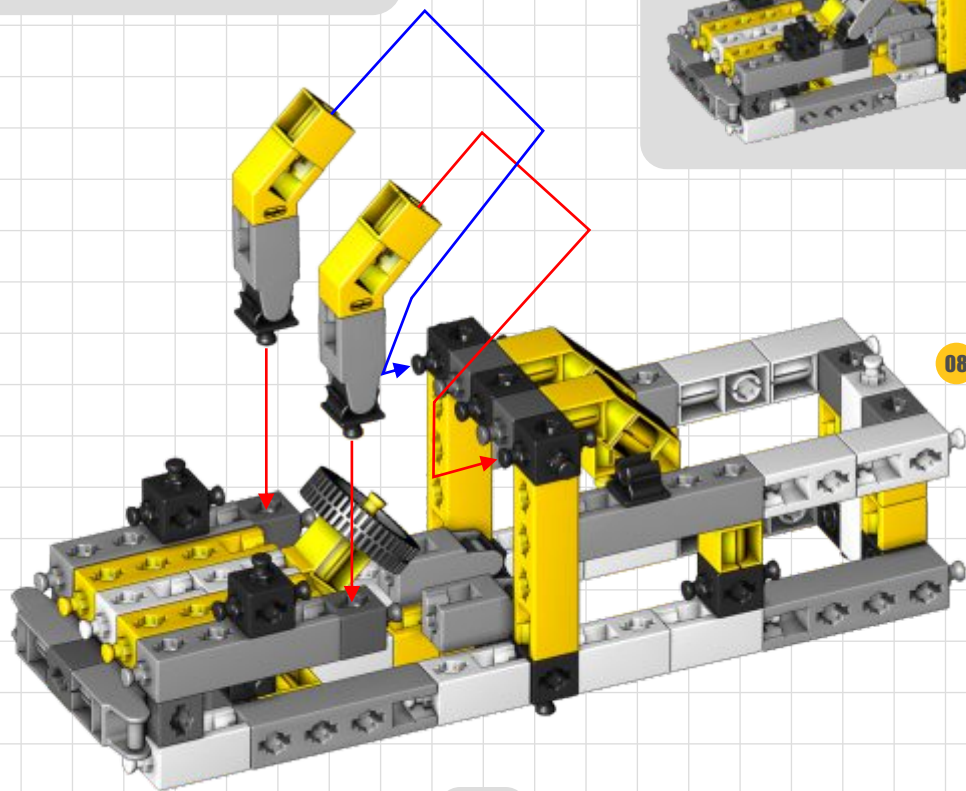
x2



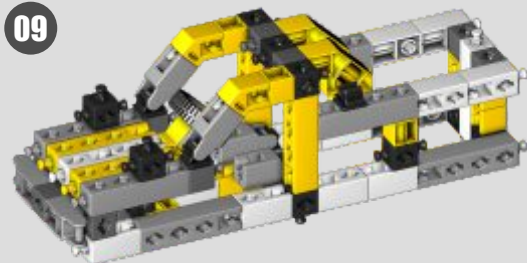
x2

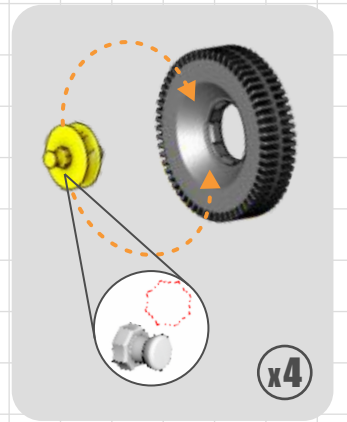
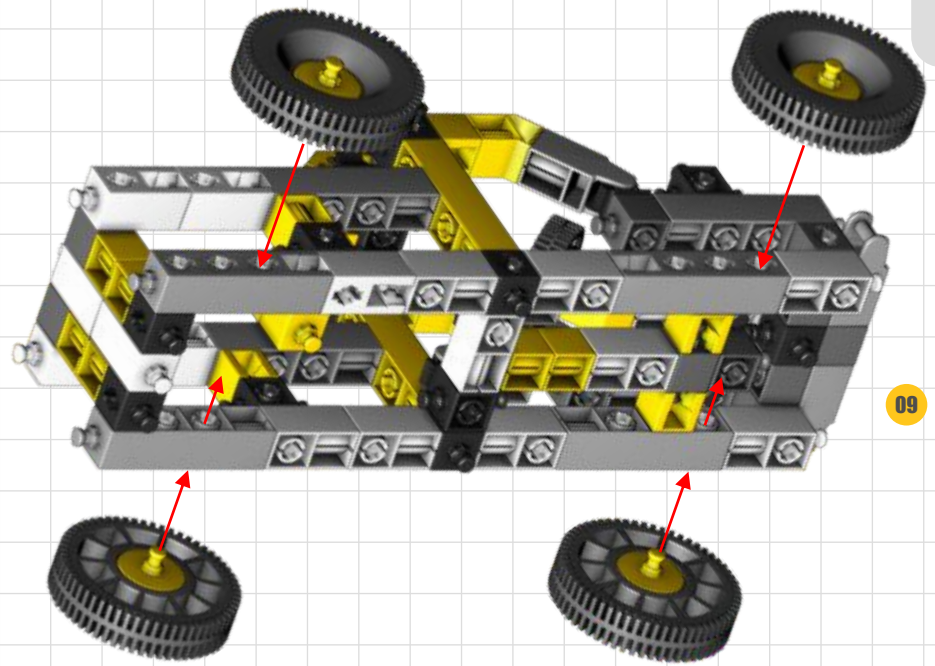
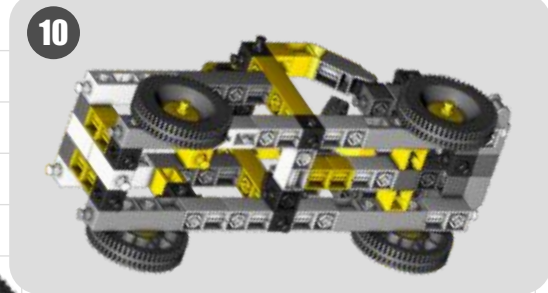


x2



09







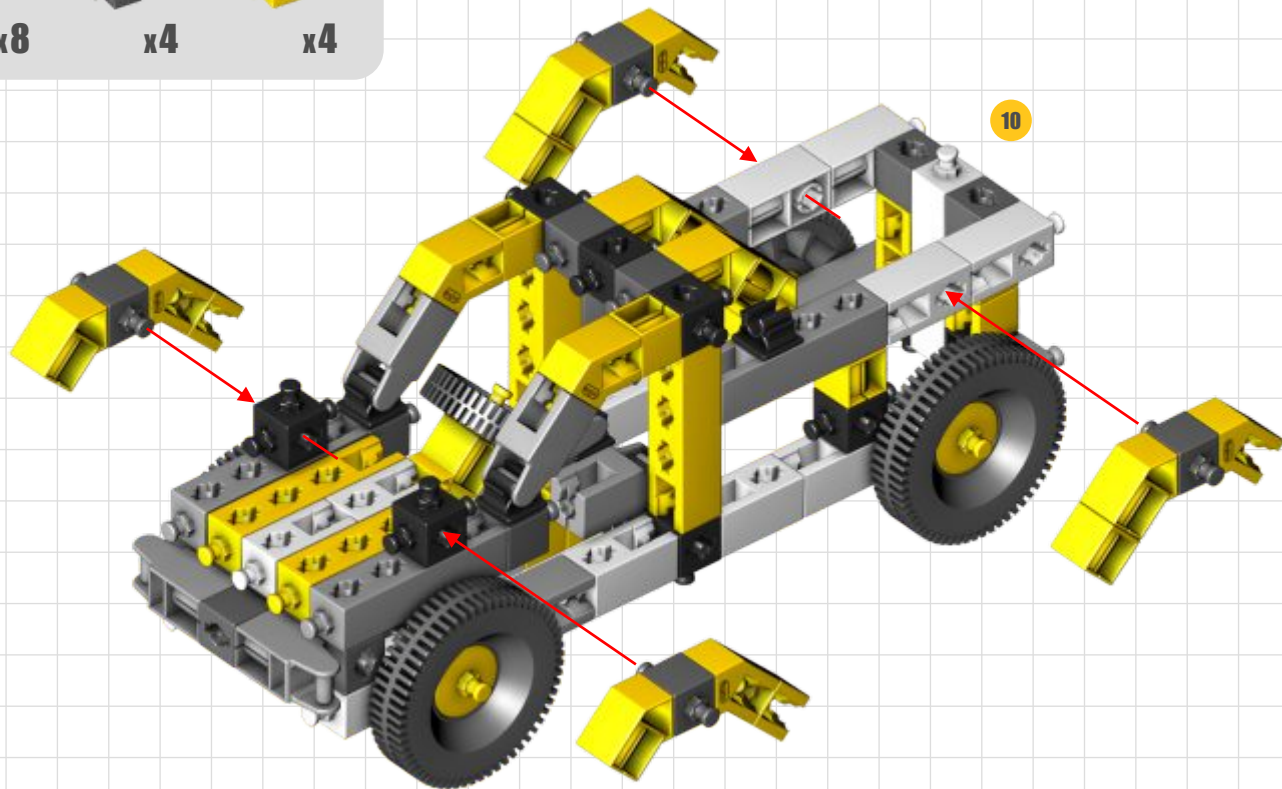
x8



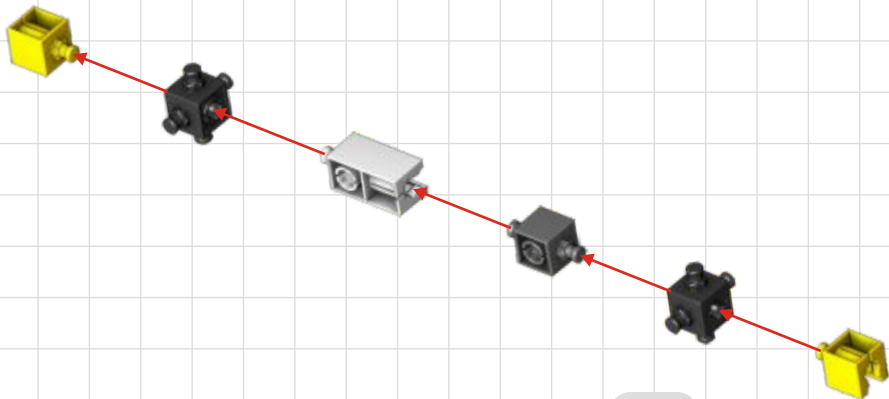
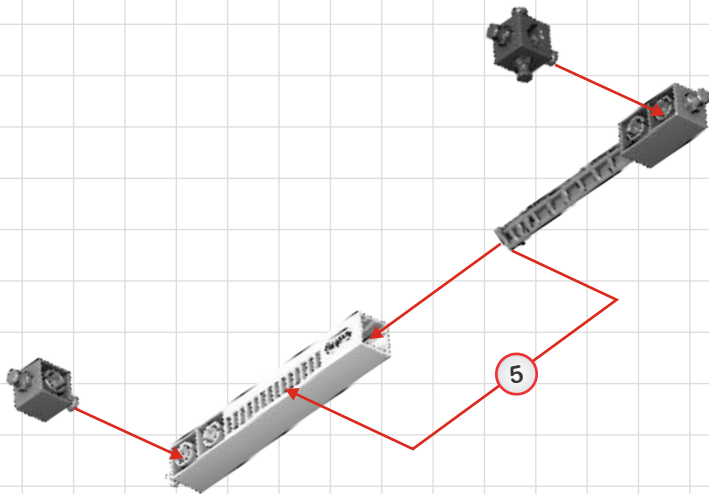
x4



x4



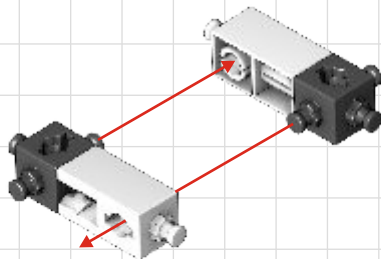
02 x2



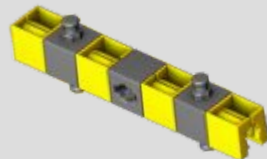
03



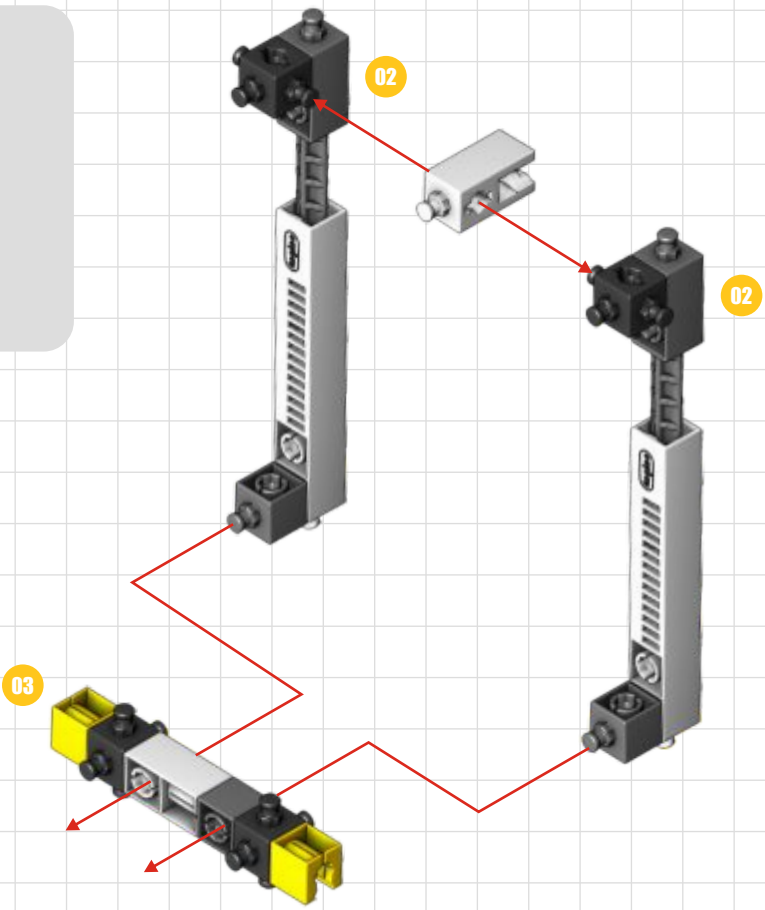
04



05



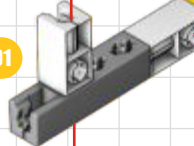
06



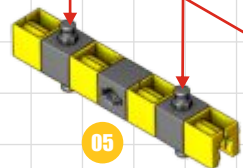
08



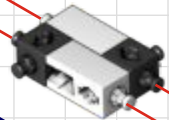
01



05



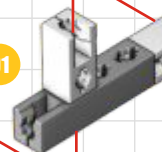
04



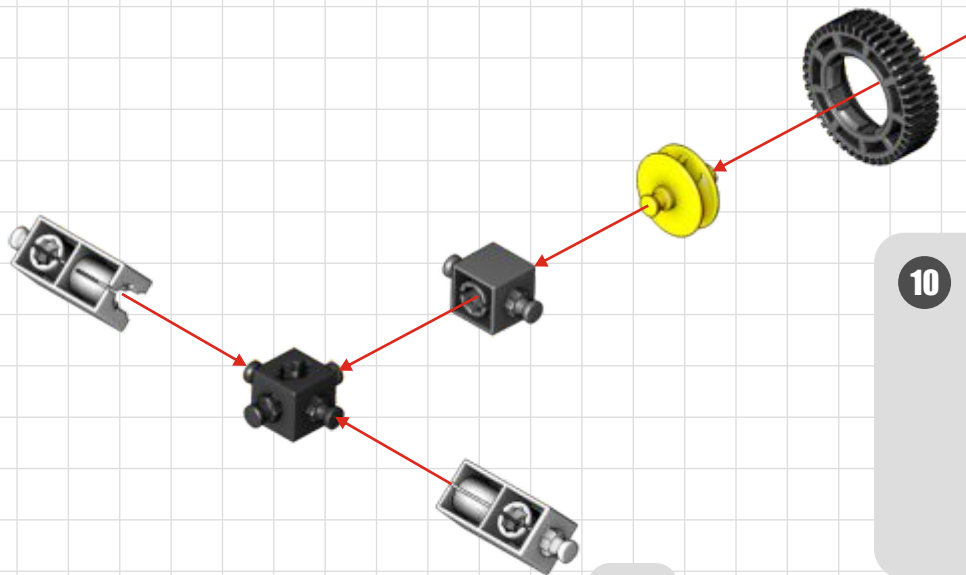
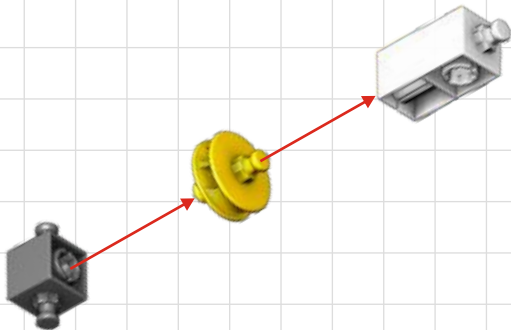
06



01



09 x2

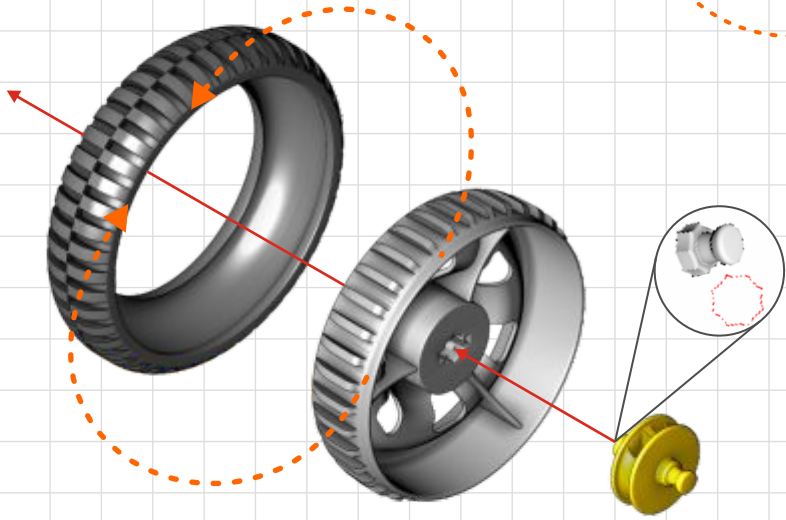
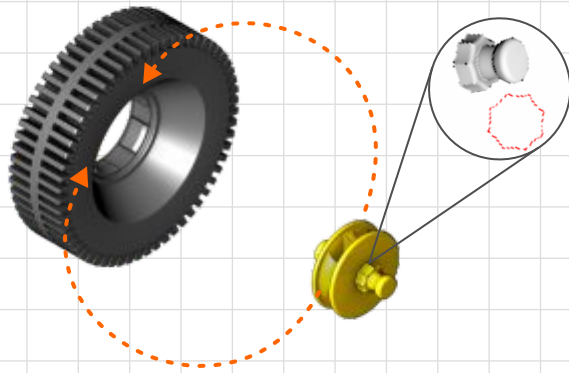


10



12

x2



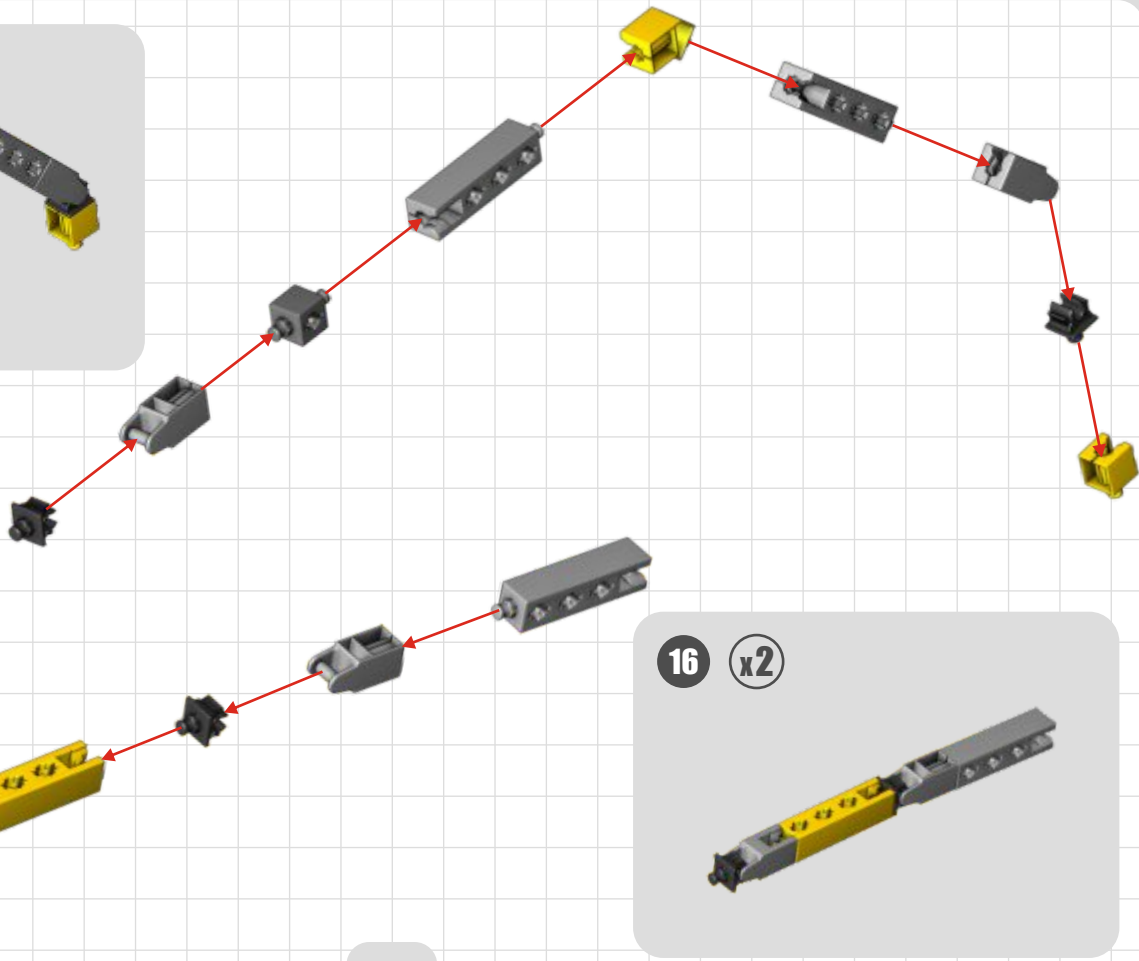
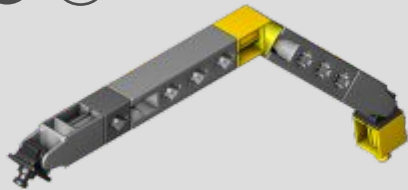
13

x2



15

x2

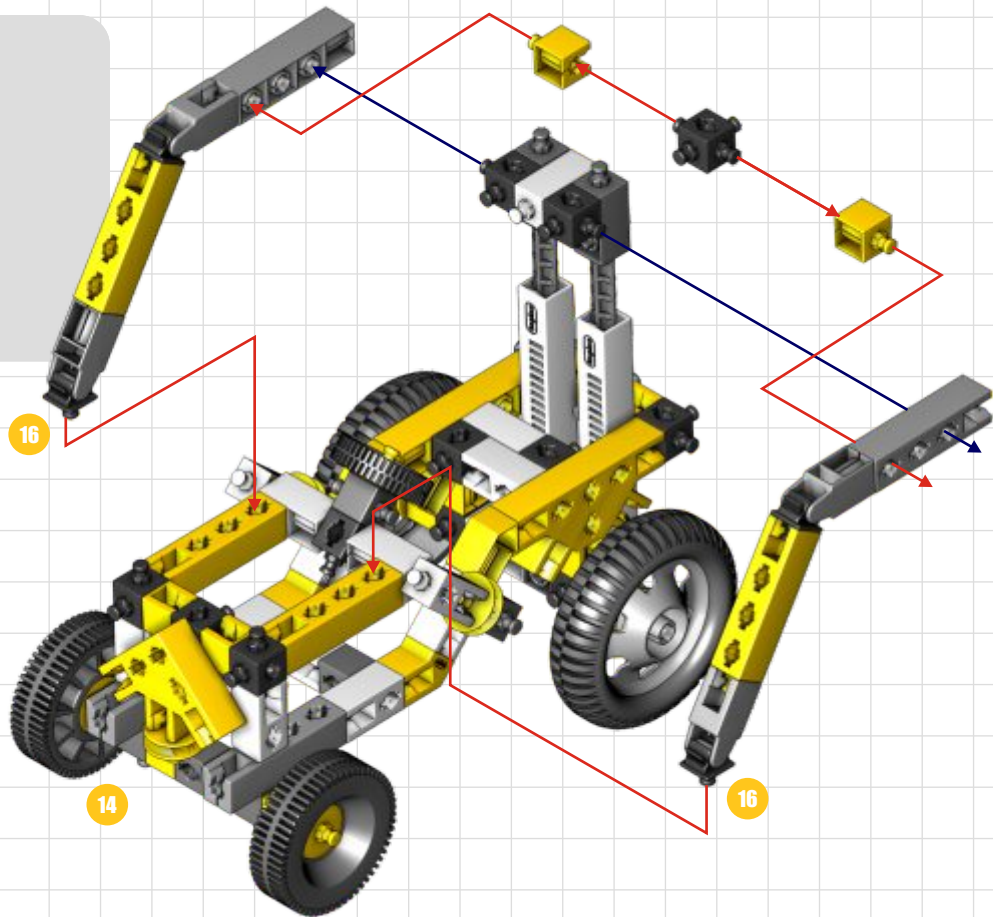


16

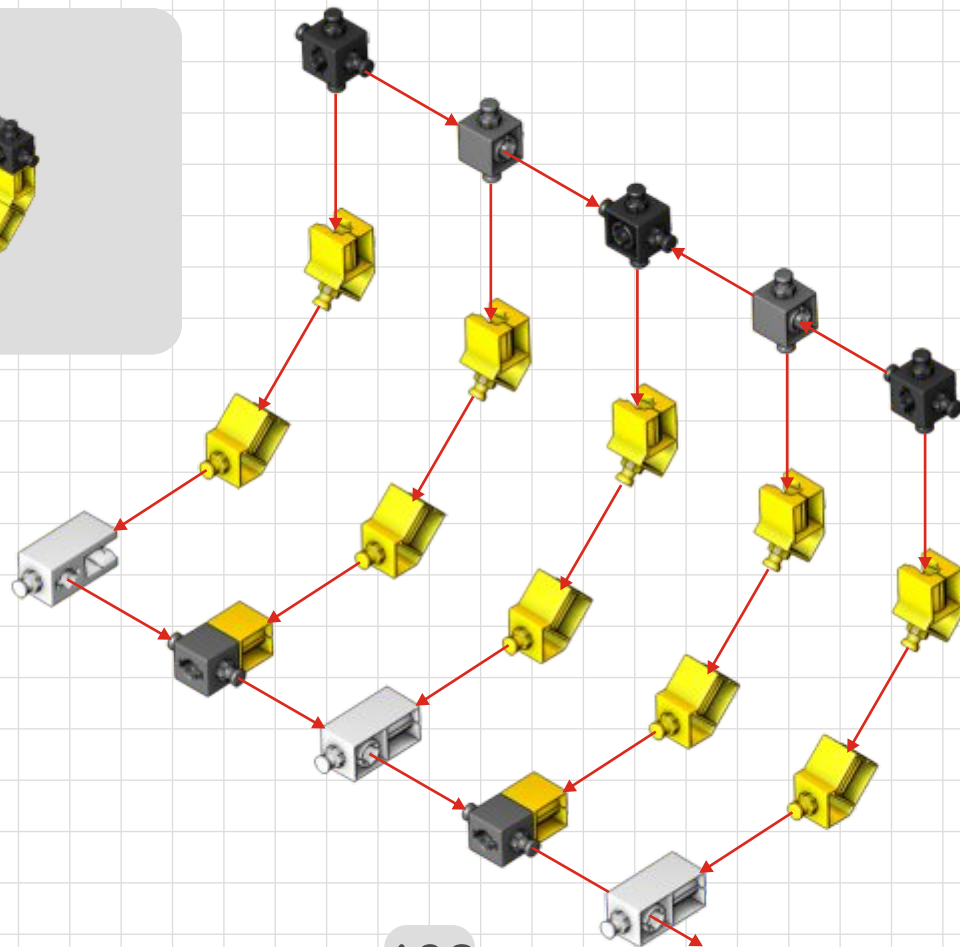
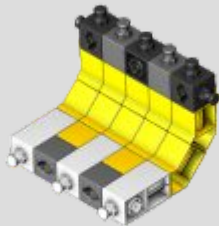
x2



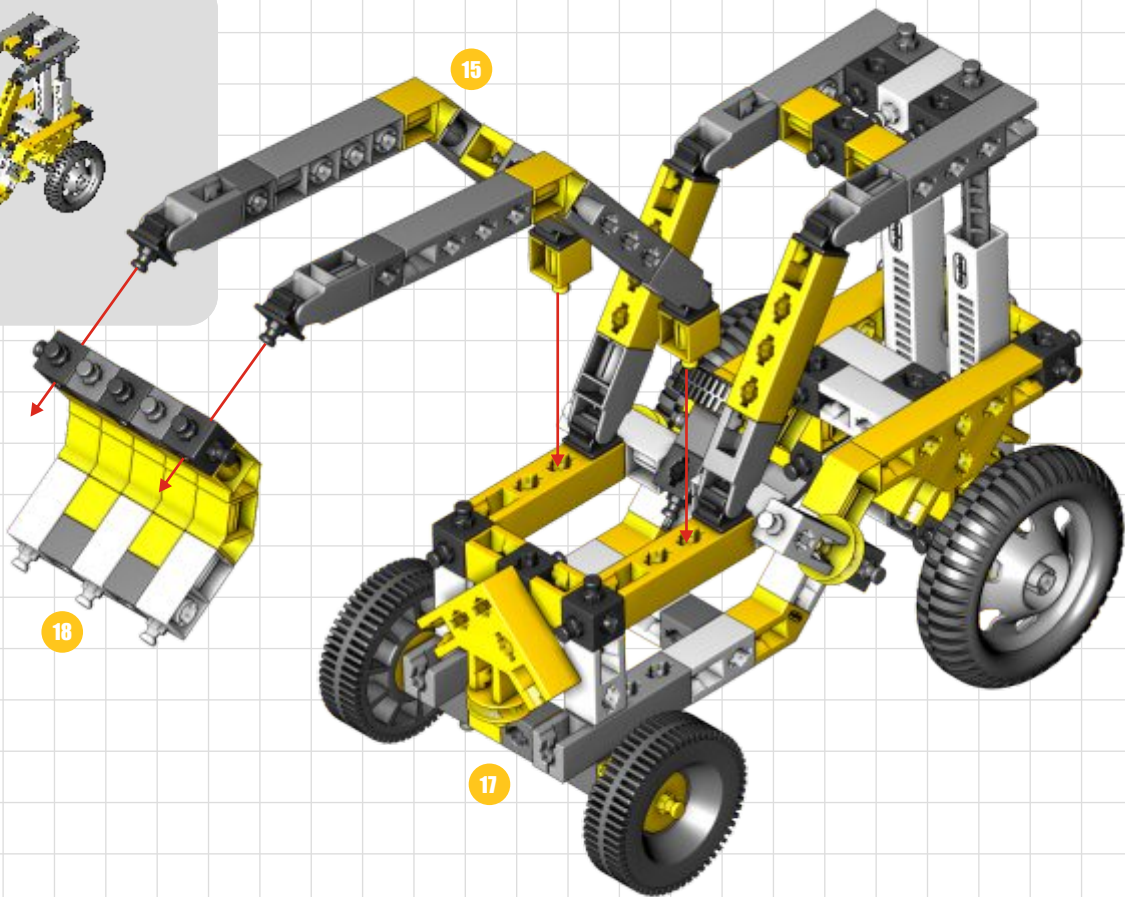
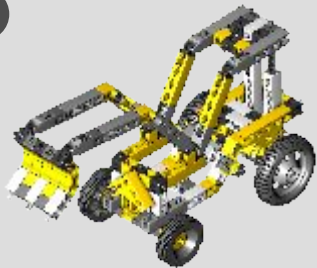
17



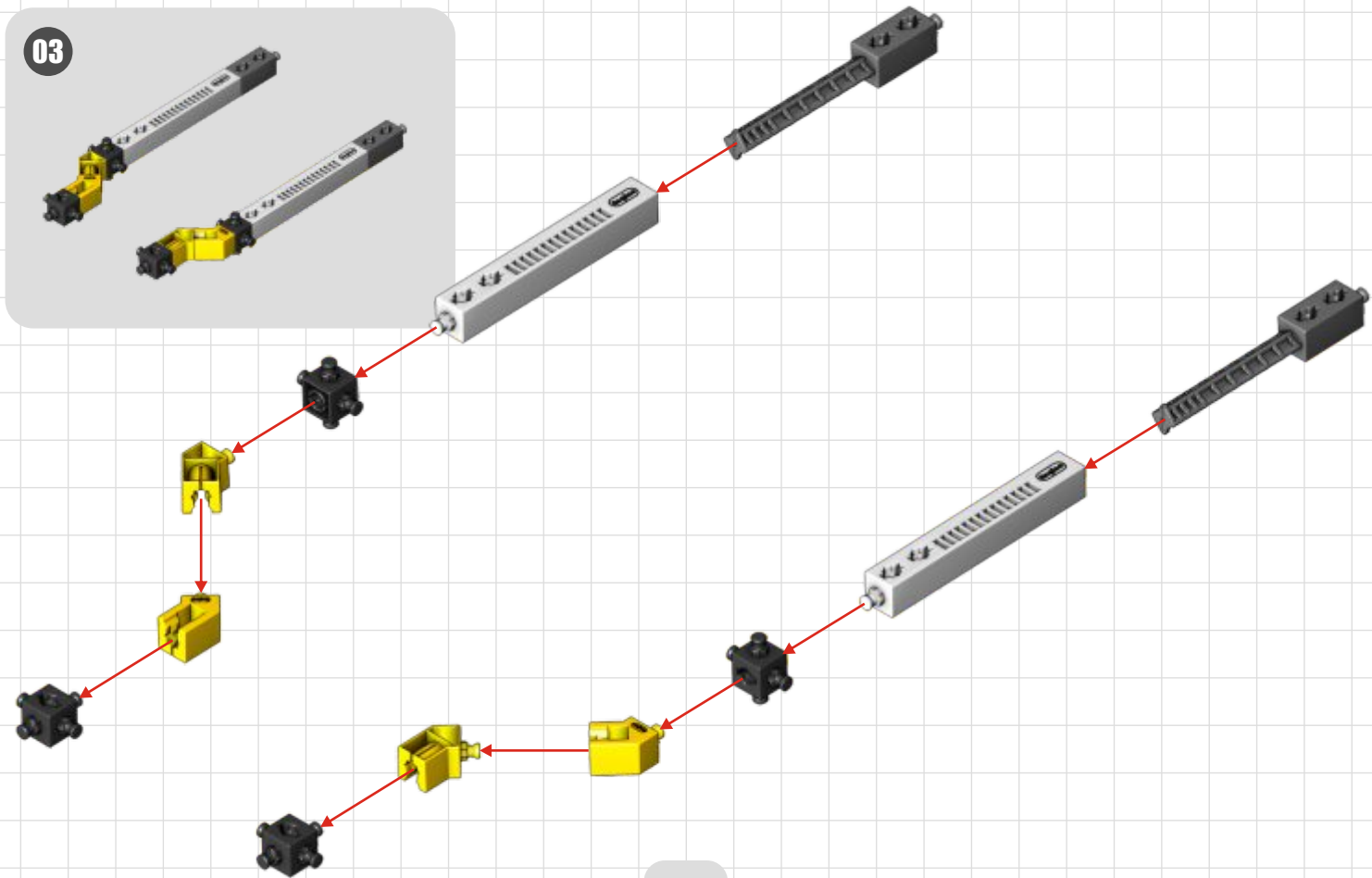
18



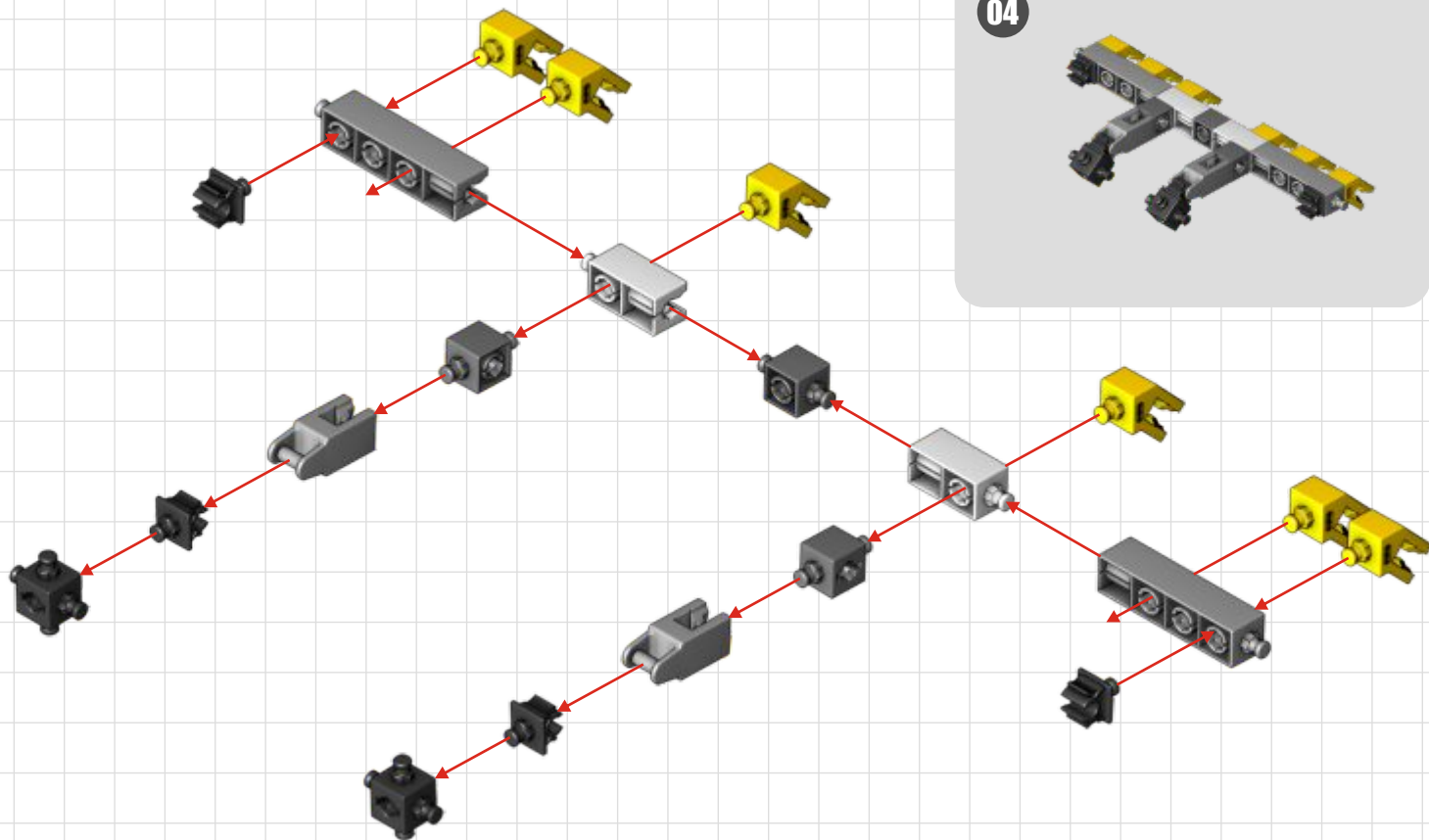
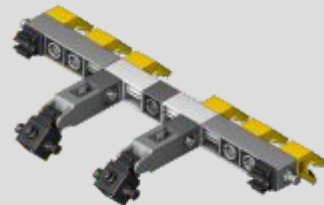
19



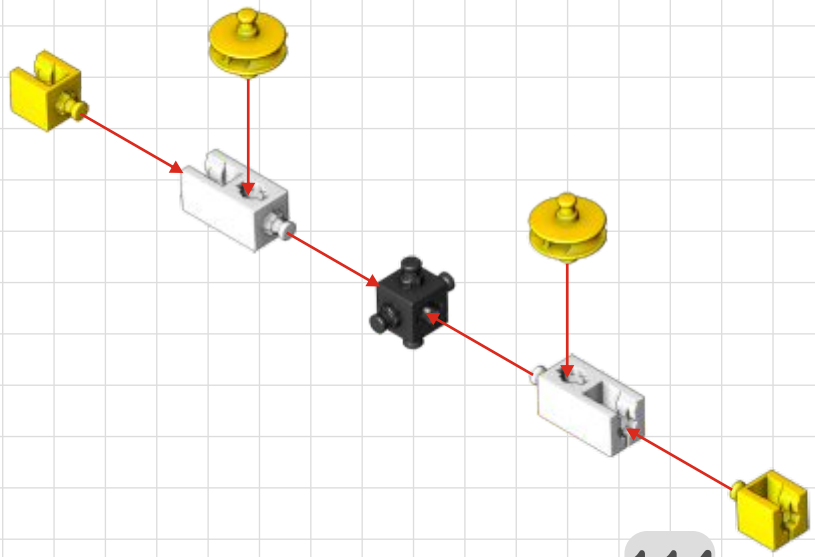
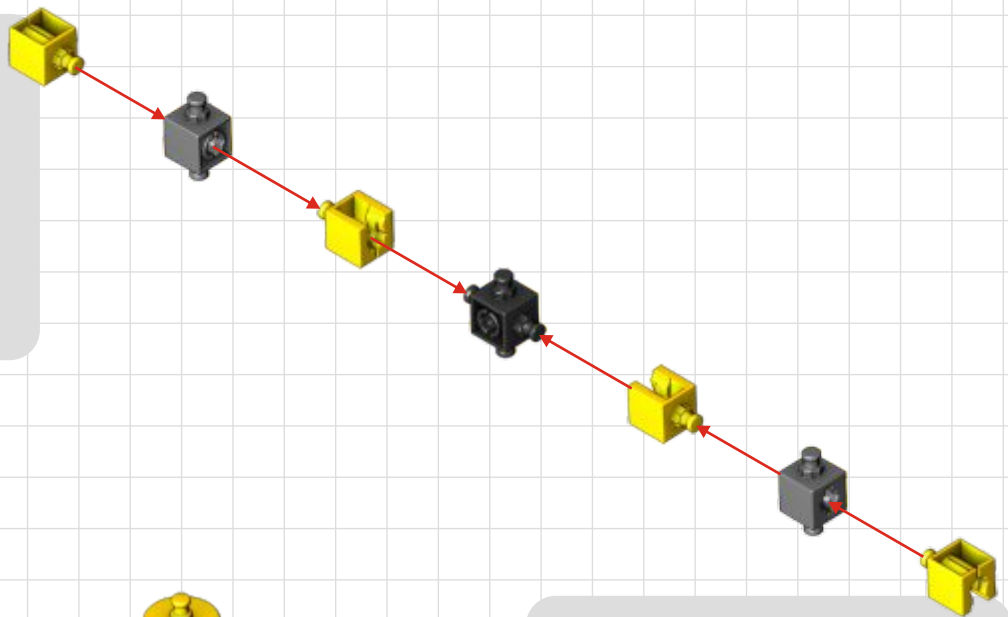
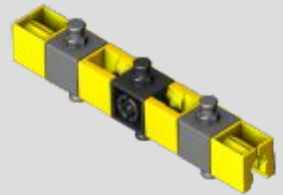
03



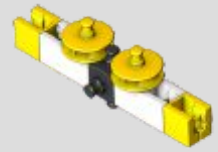
04



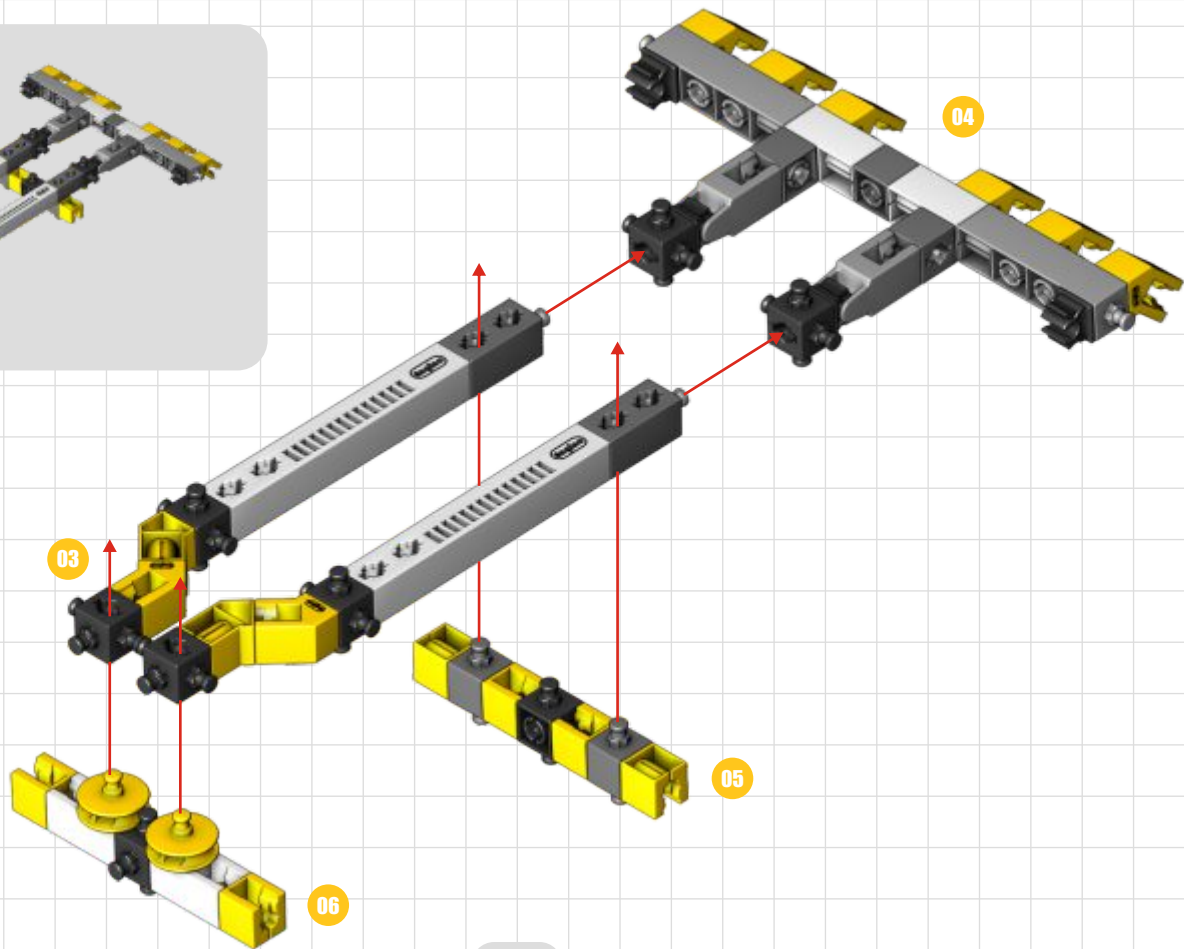
05



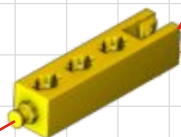
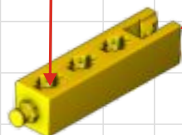
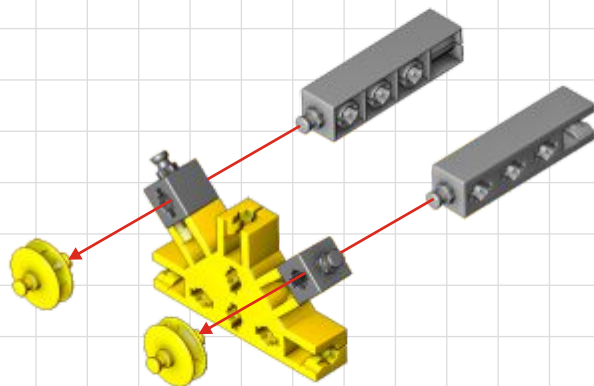
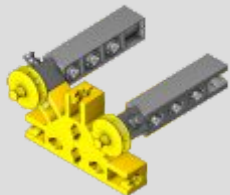
06



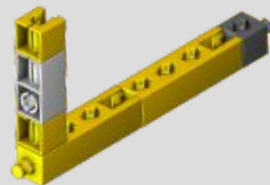
07



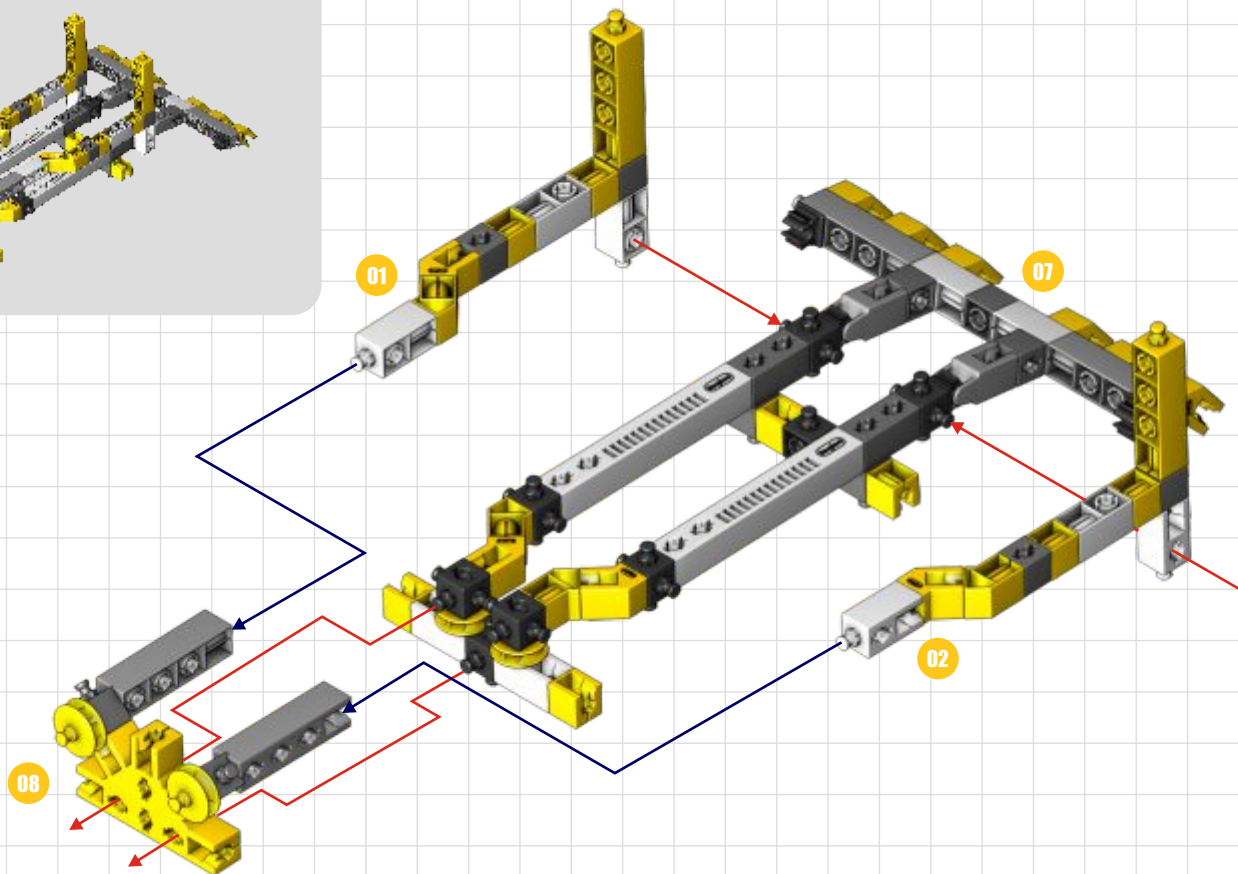
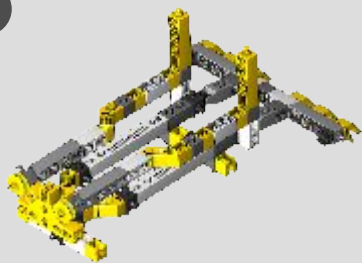
08



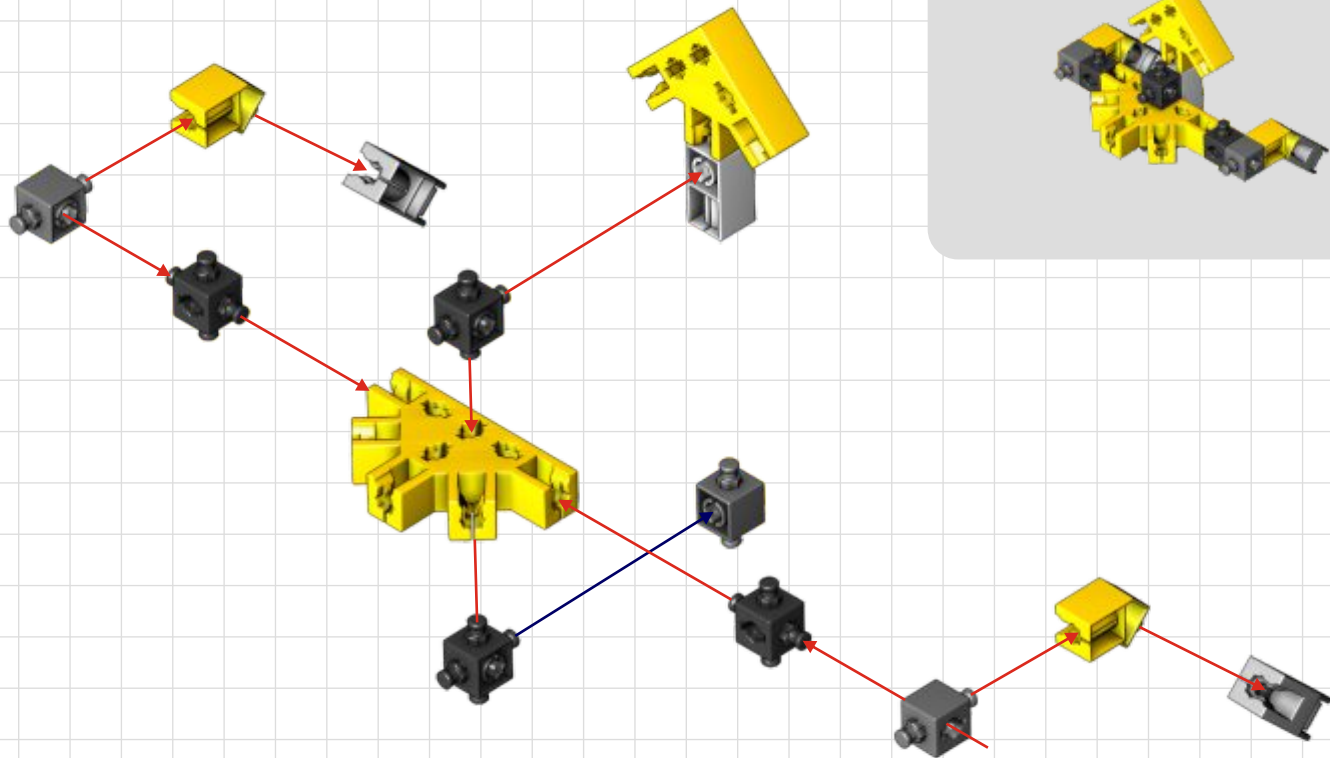
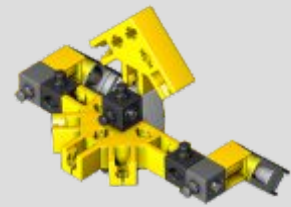
09



10



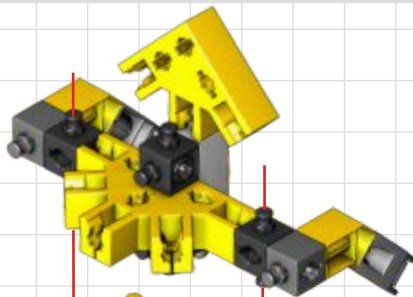
11



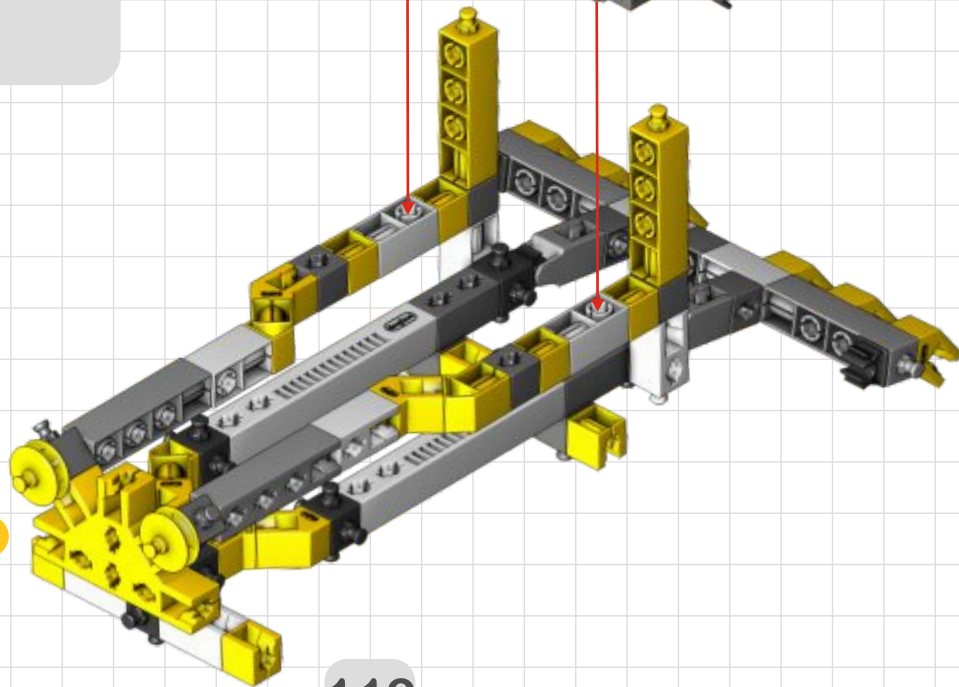
12



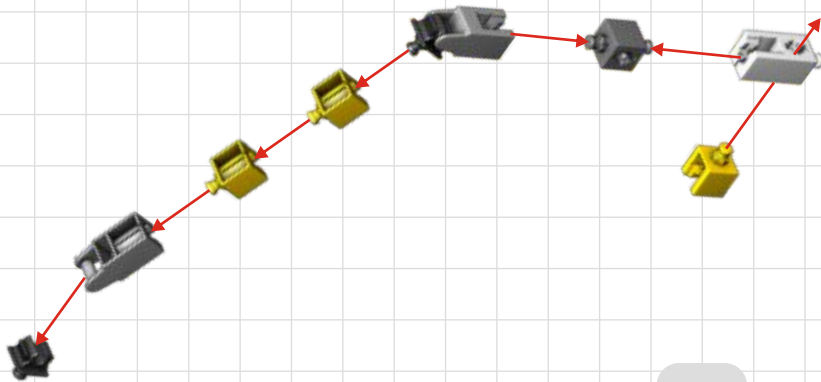
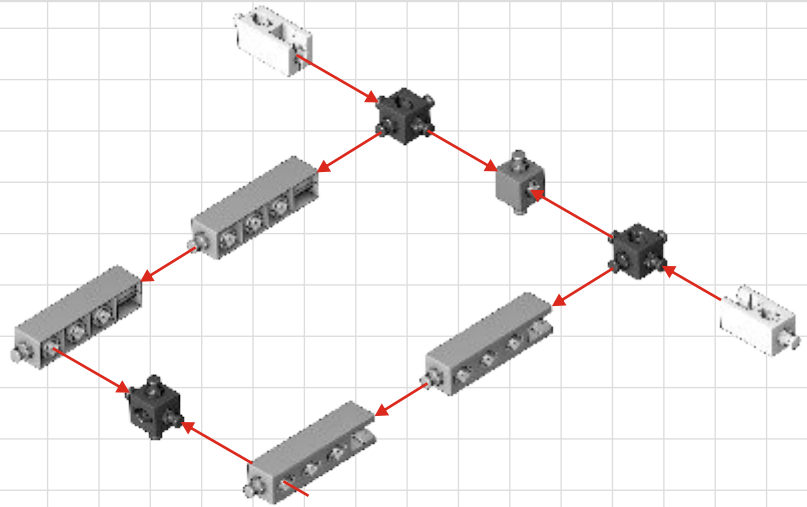
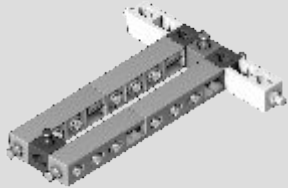
11



10



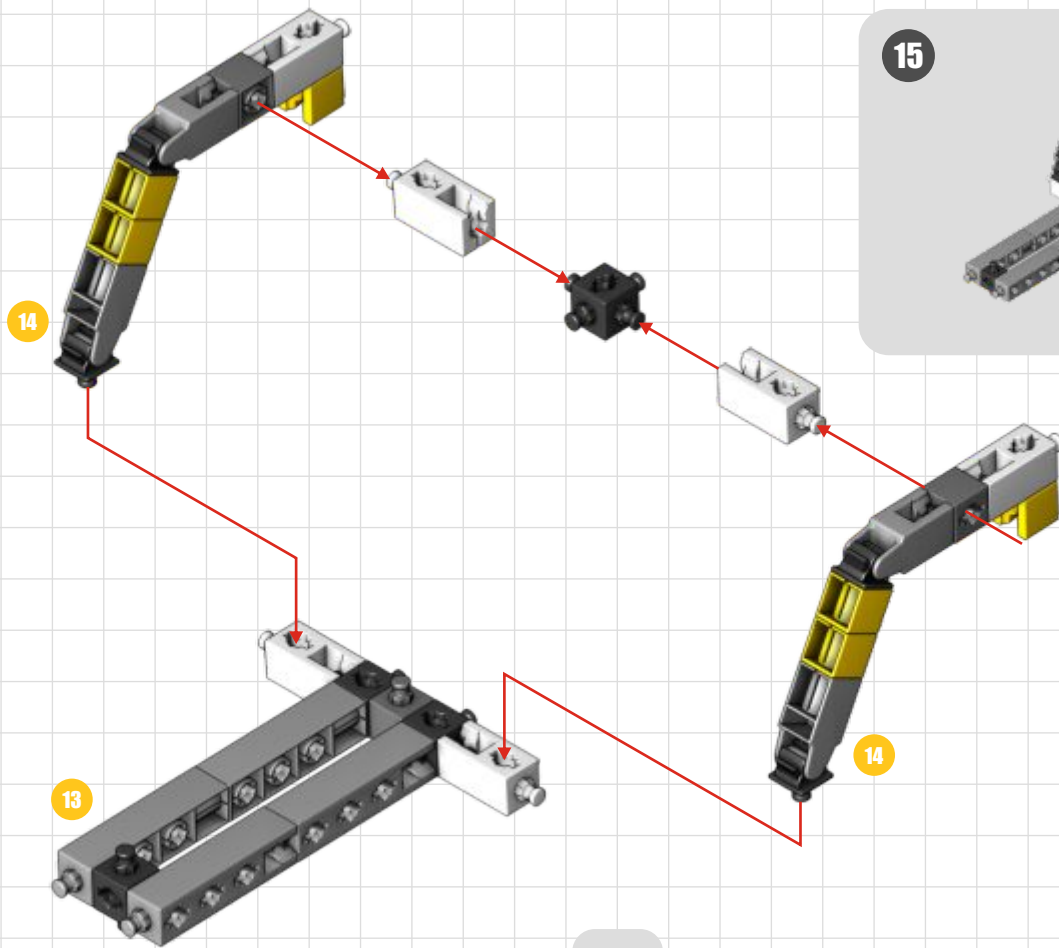
13



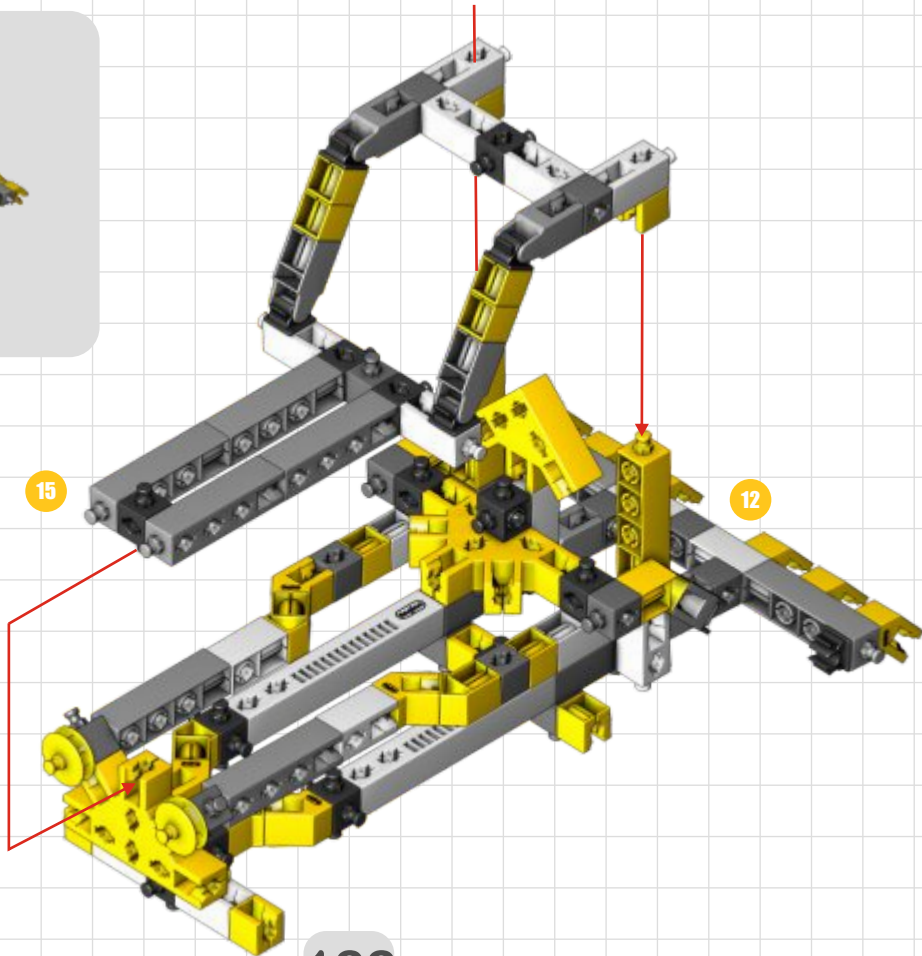
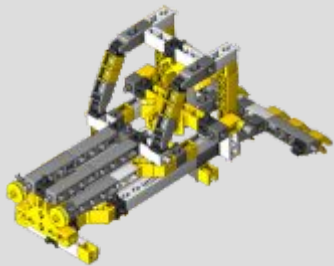
14

x2

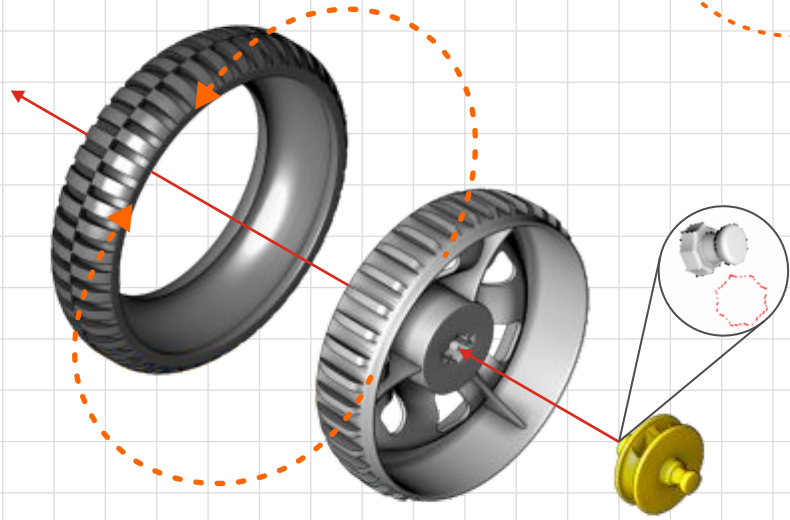
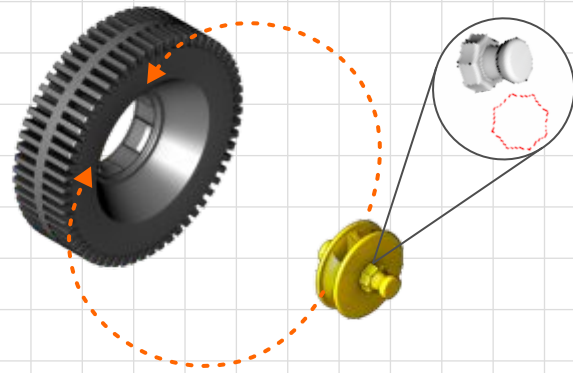




16



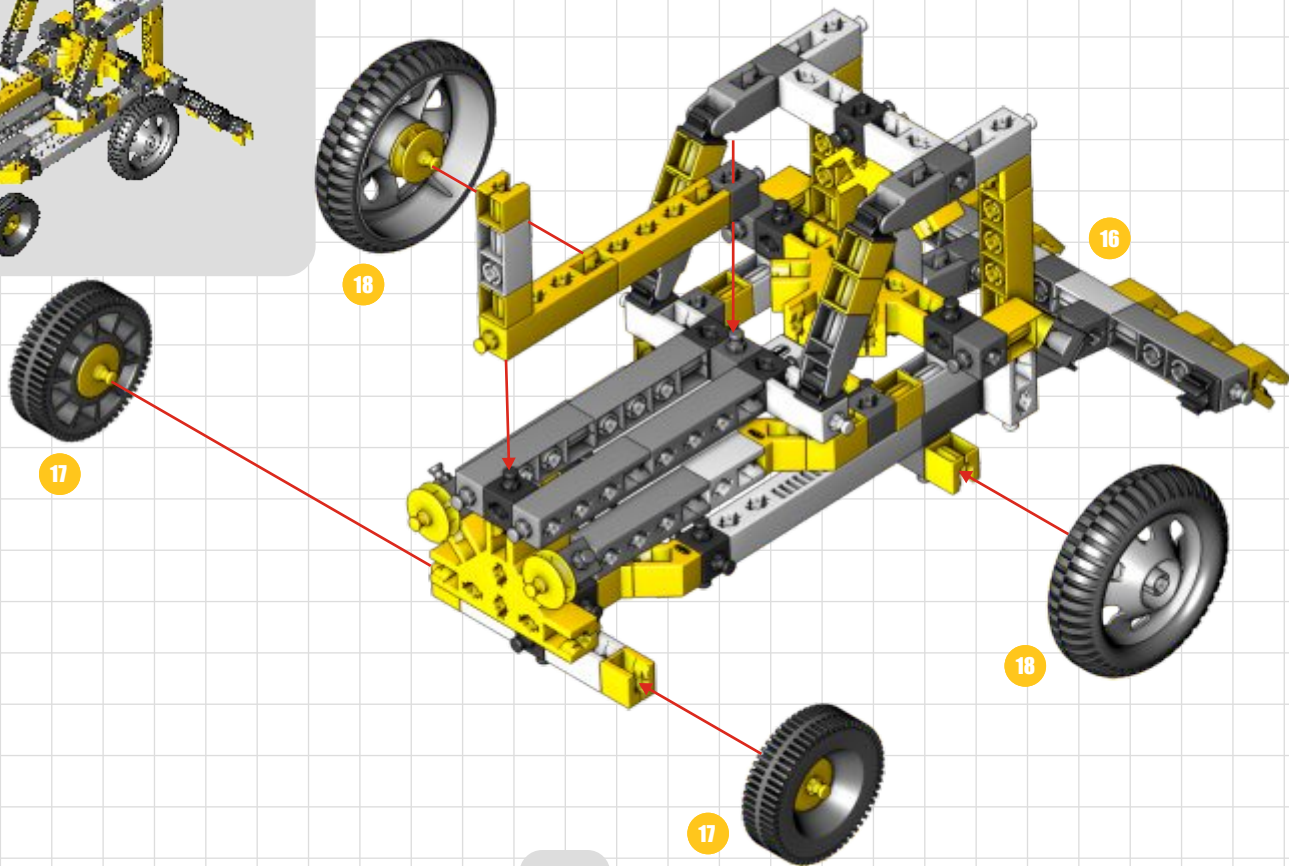
17 x2

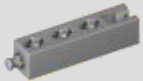


18 x2



19





x1



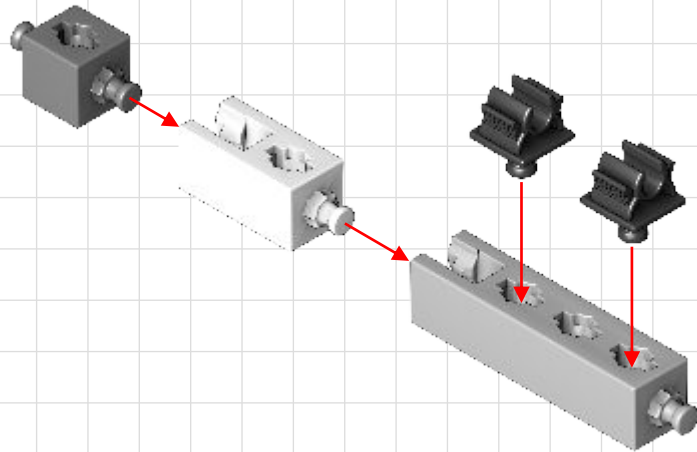
x1



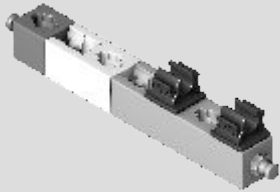
x1



x2



01





x2



x2

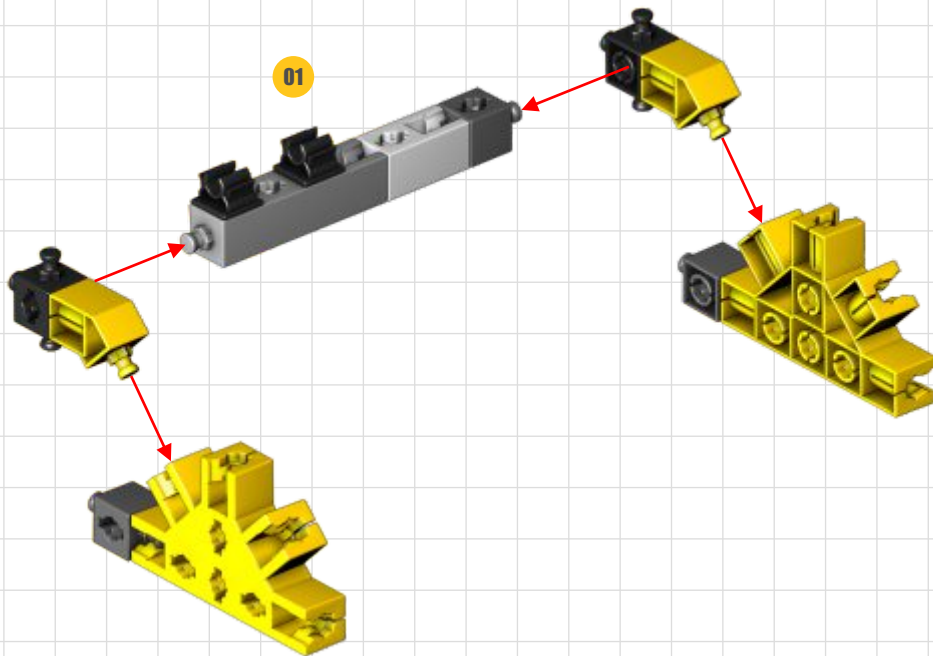


x2

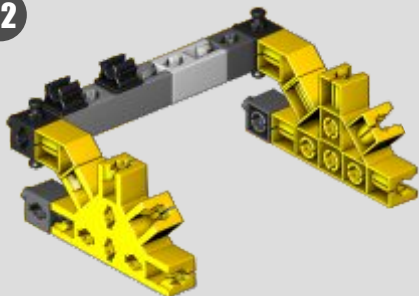


x2

01



02





x1



x2



x2



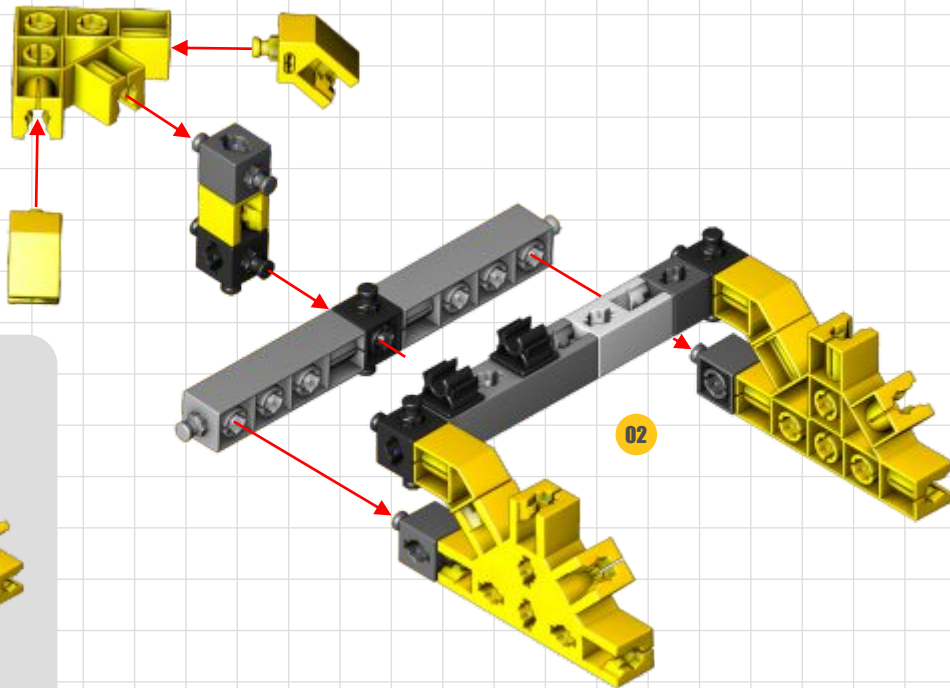
x1



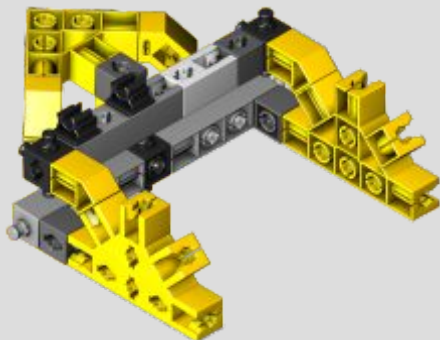
x2



x1



03





x1



x2



x3

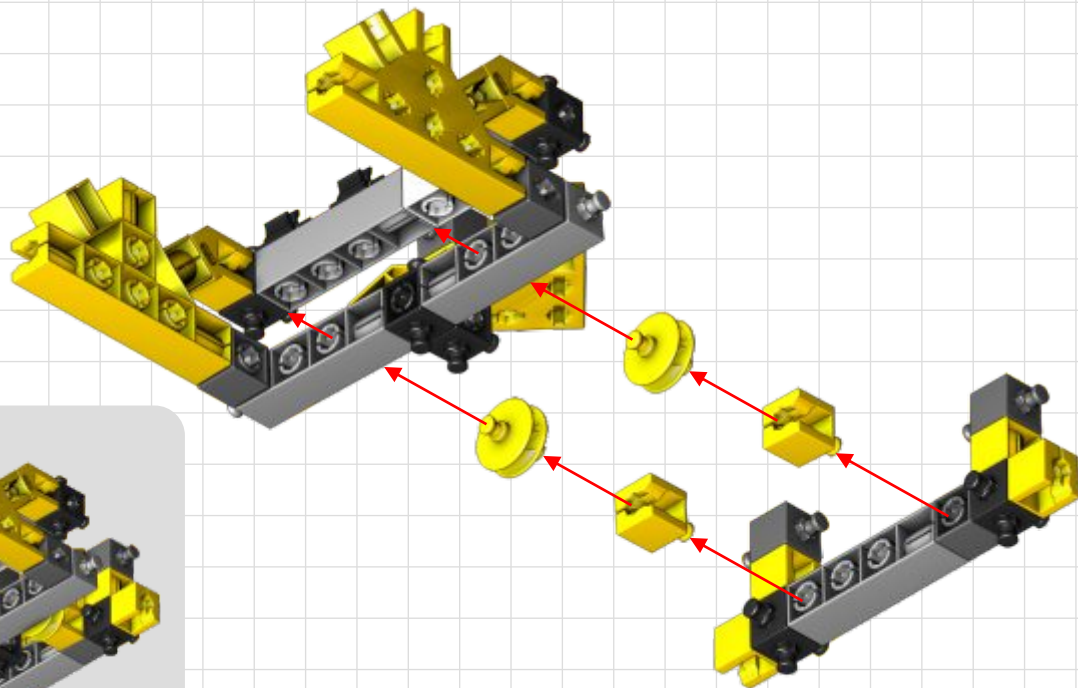


x2

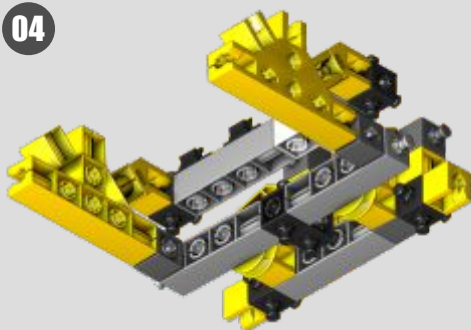


x6

03



04



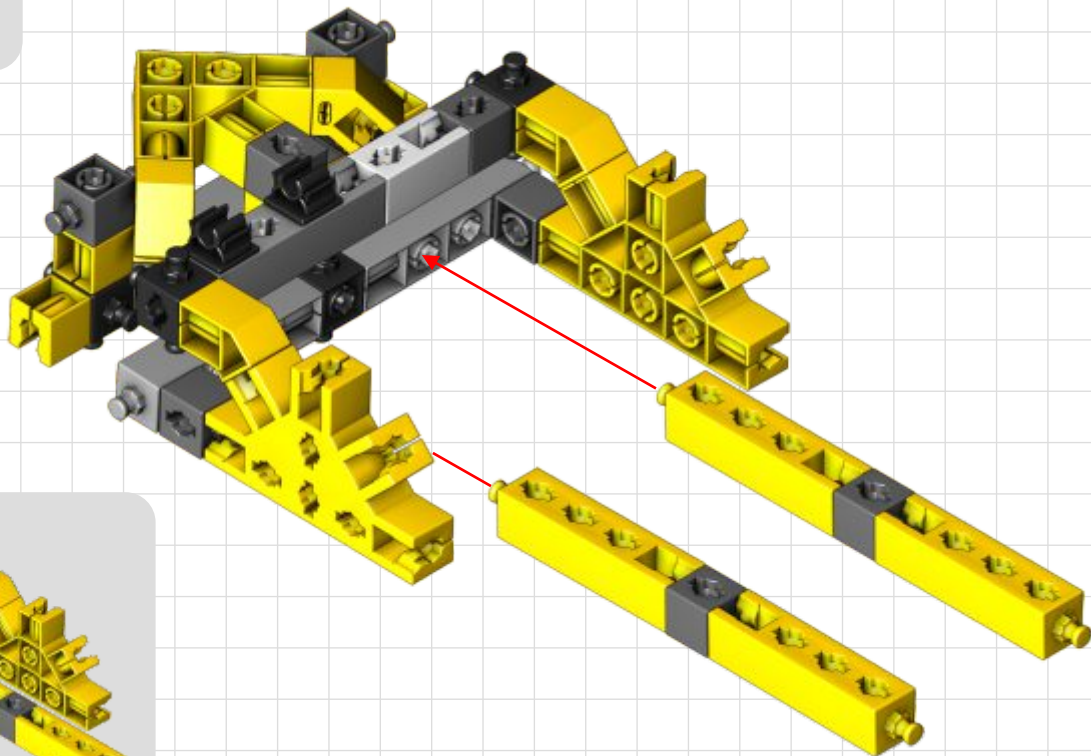


x4

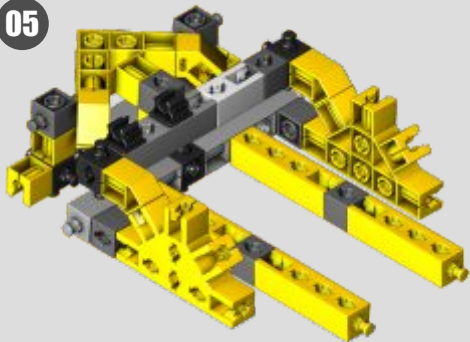


x2

04



05





x4



x2



x2

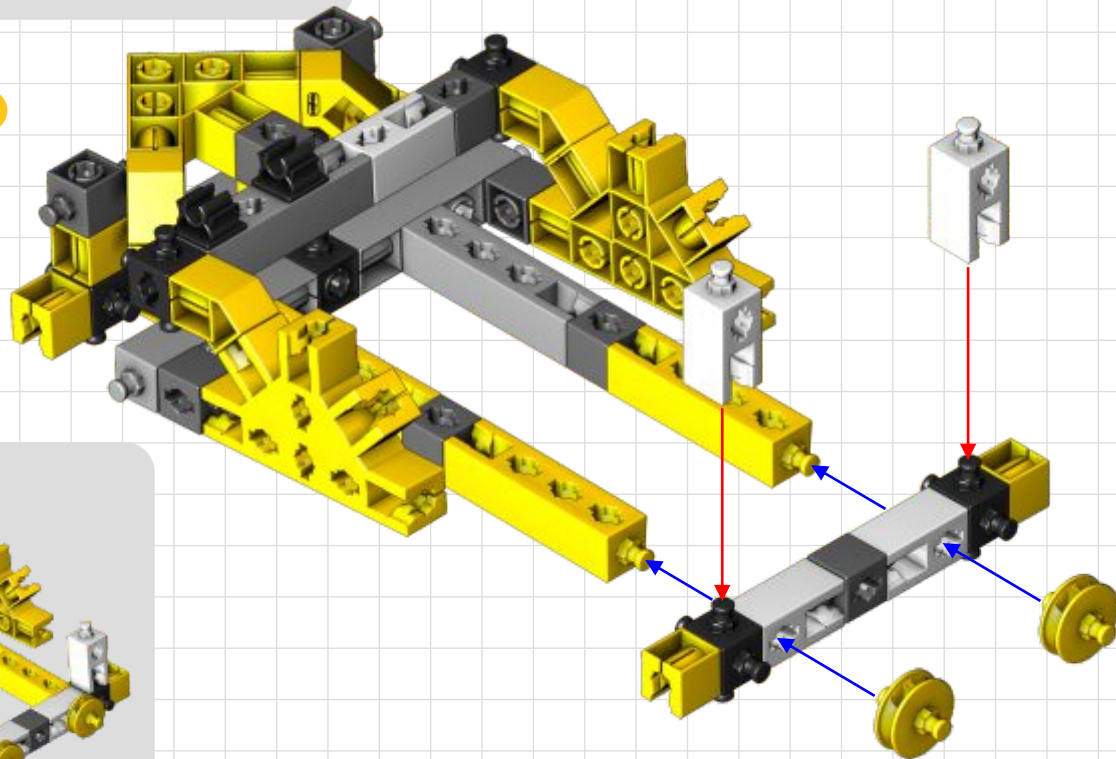


x1

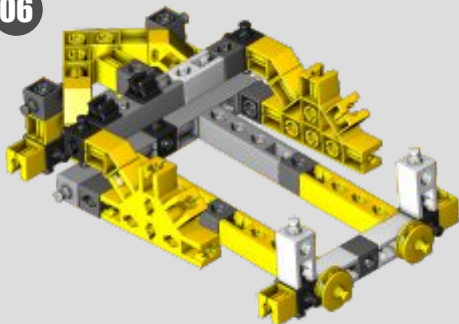


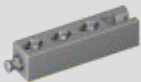
x2

05



06





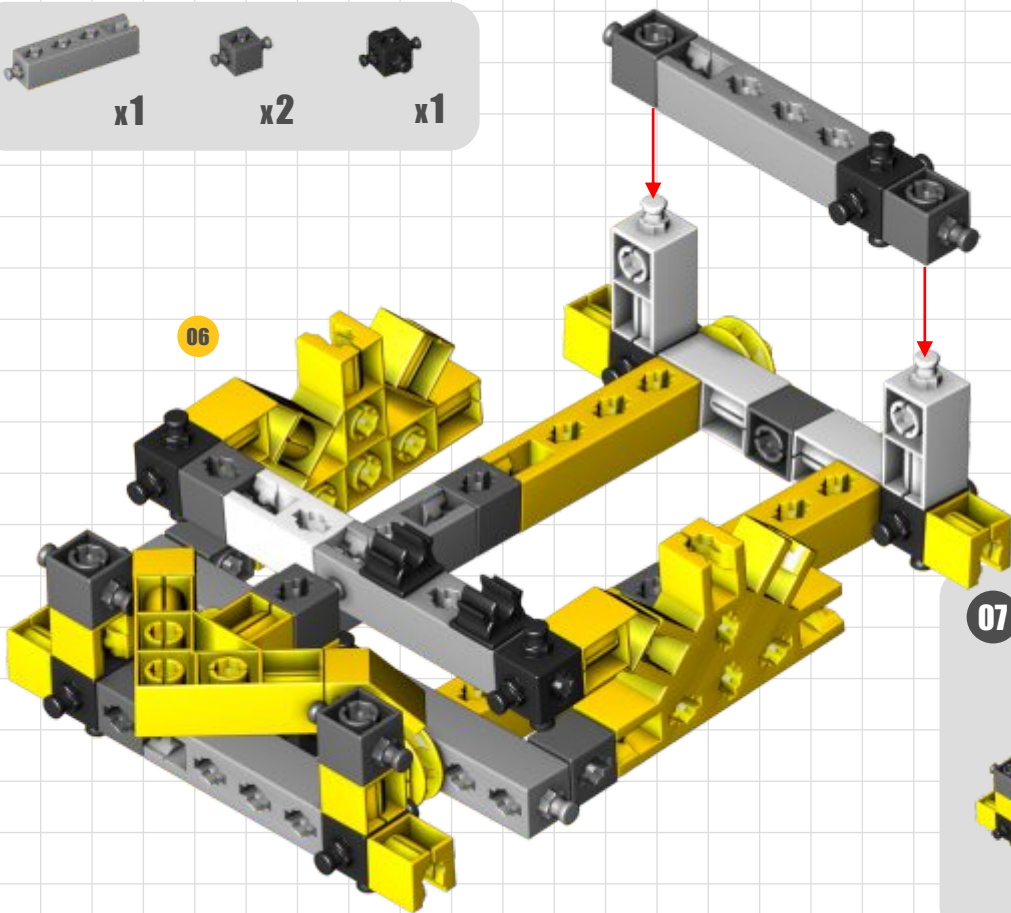
x1



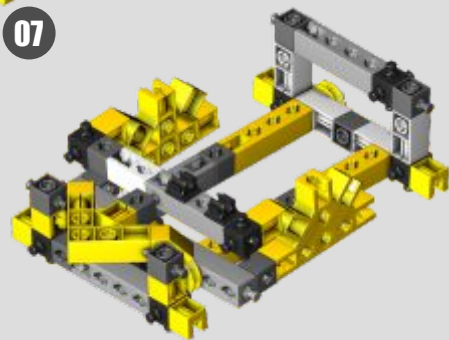
x2



x1



07





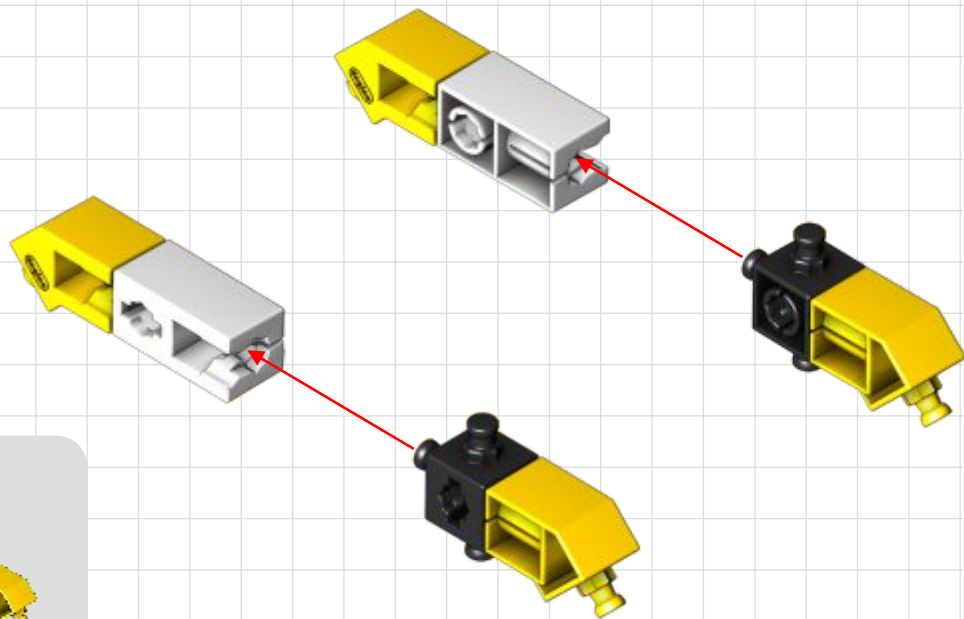
x2



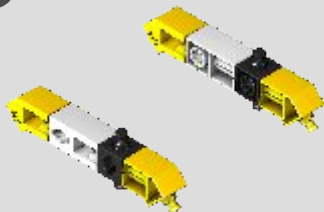
x4



x2



08





x1



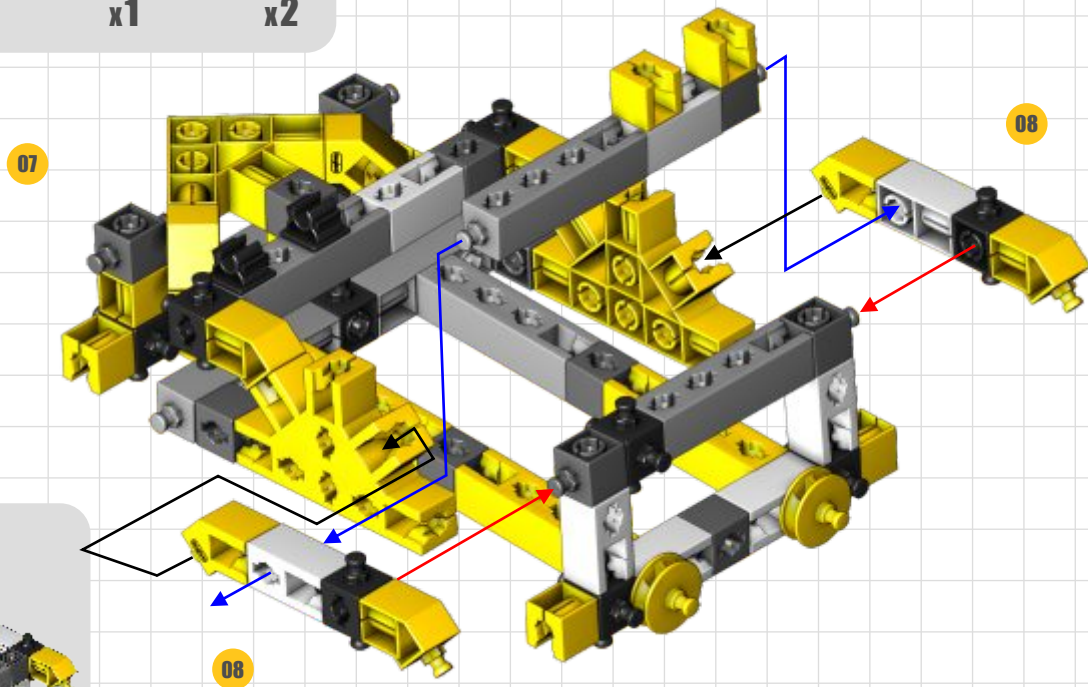
x1



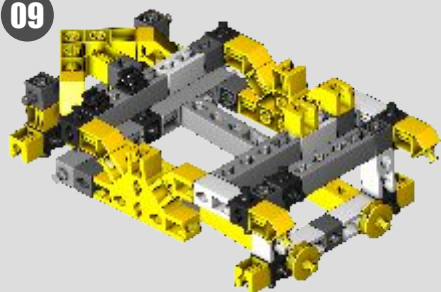
x1



x2



09





x2

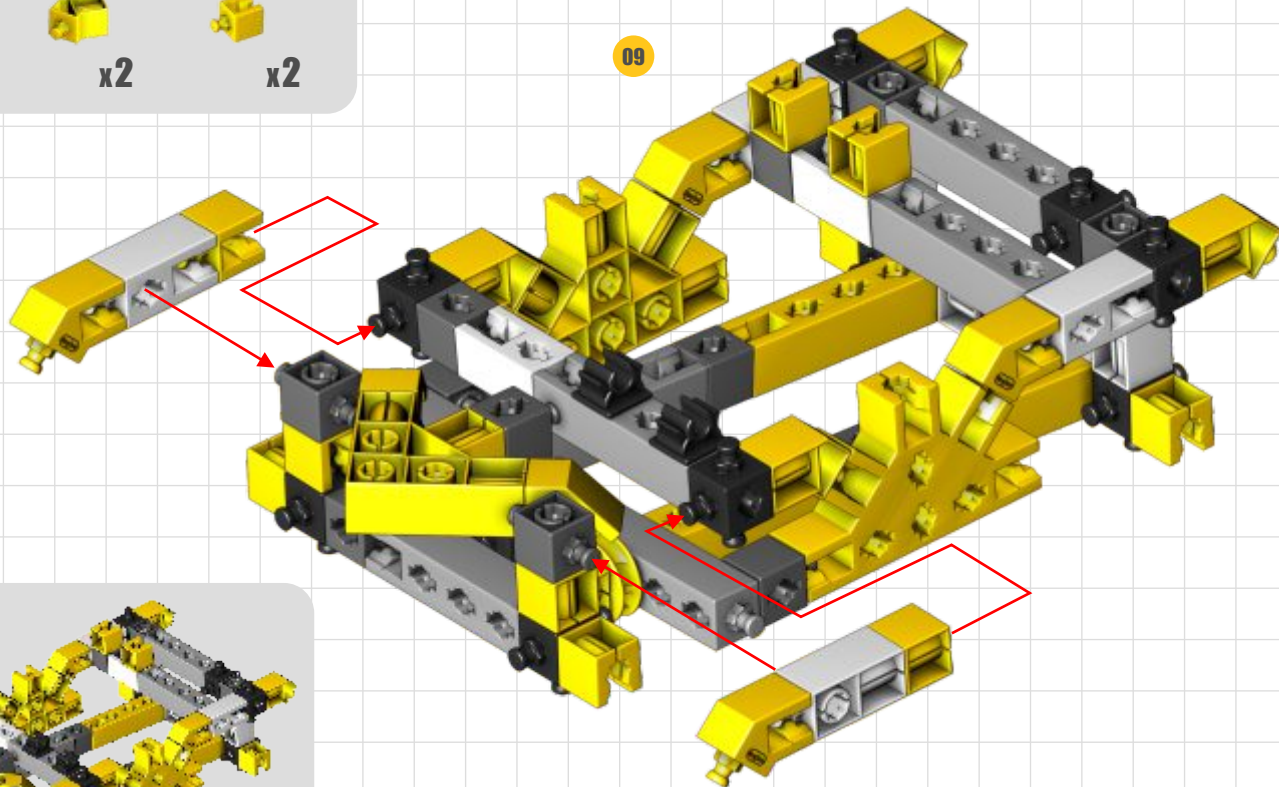


x2

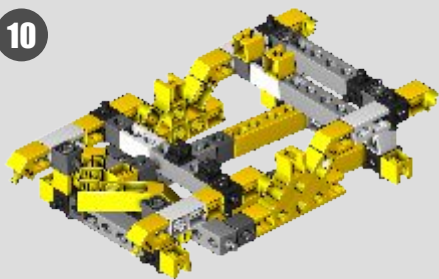


x2

09



10





x2



x4



x6



x3

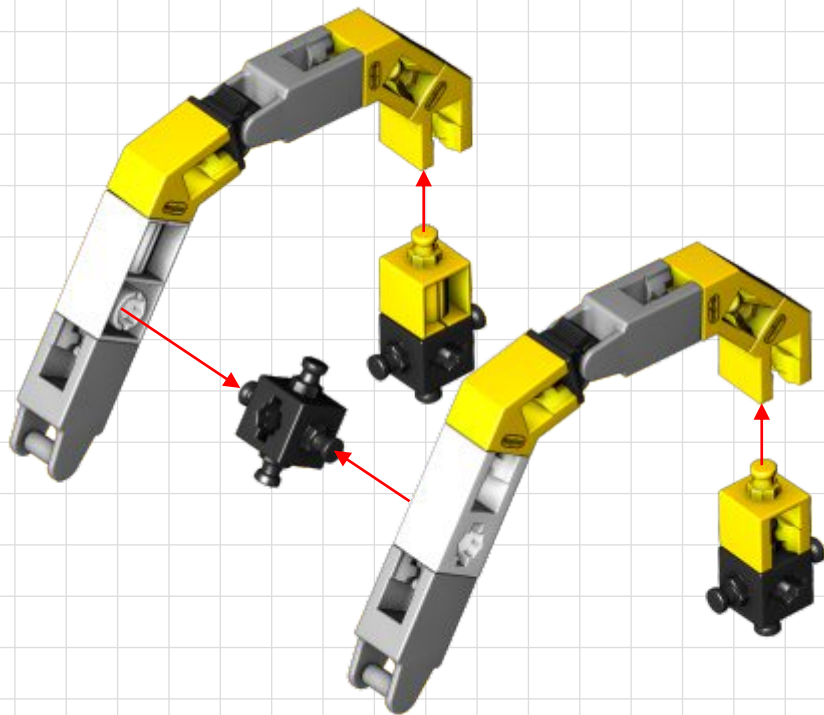
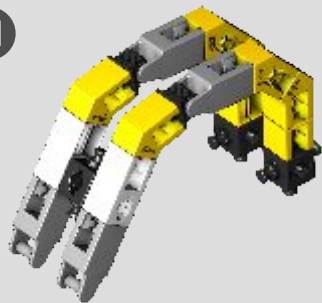


x2

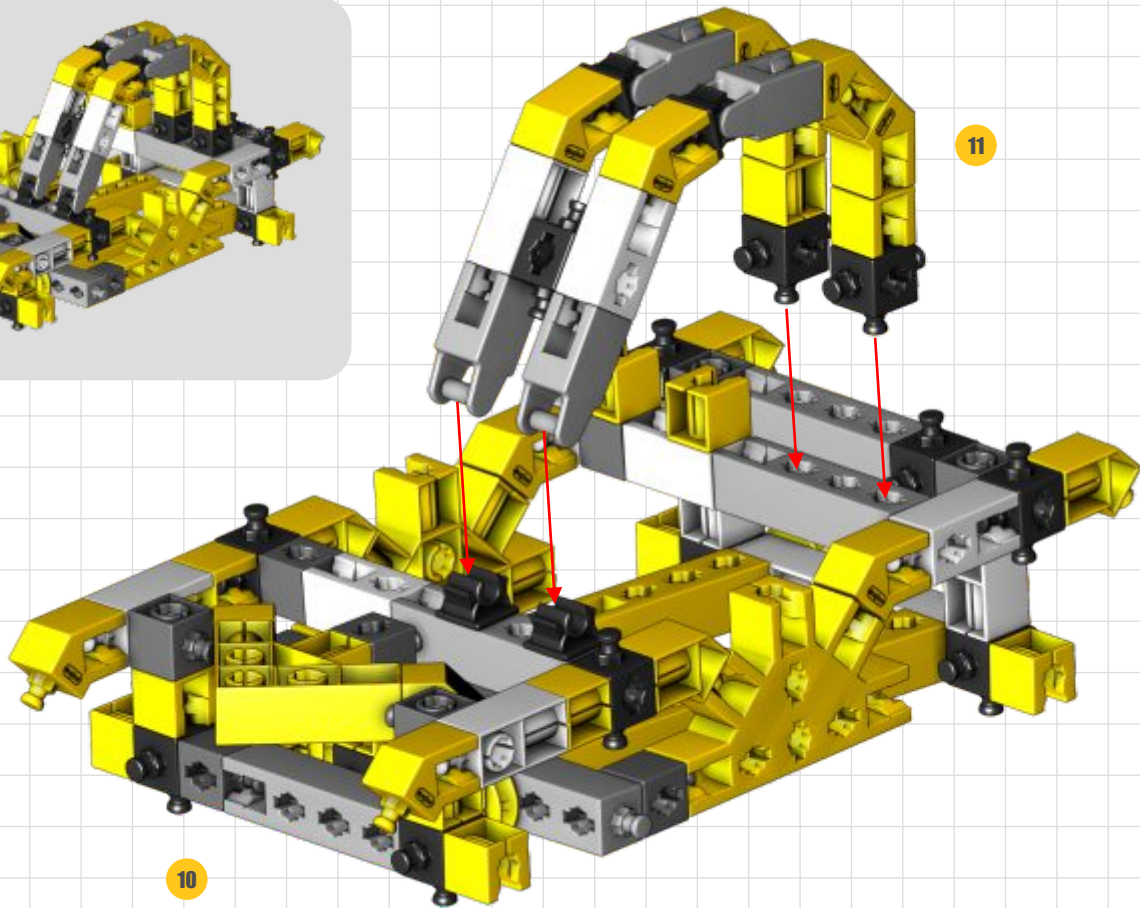
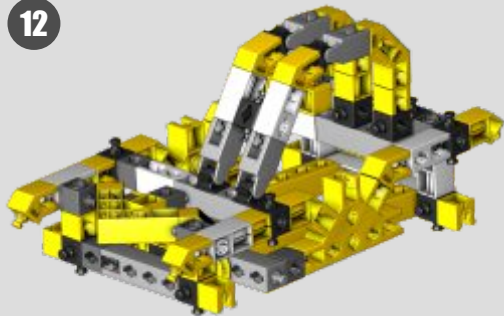


x2

11

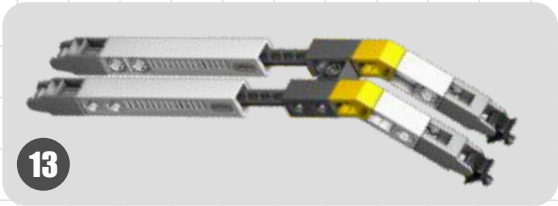
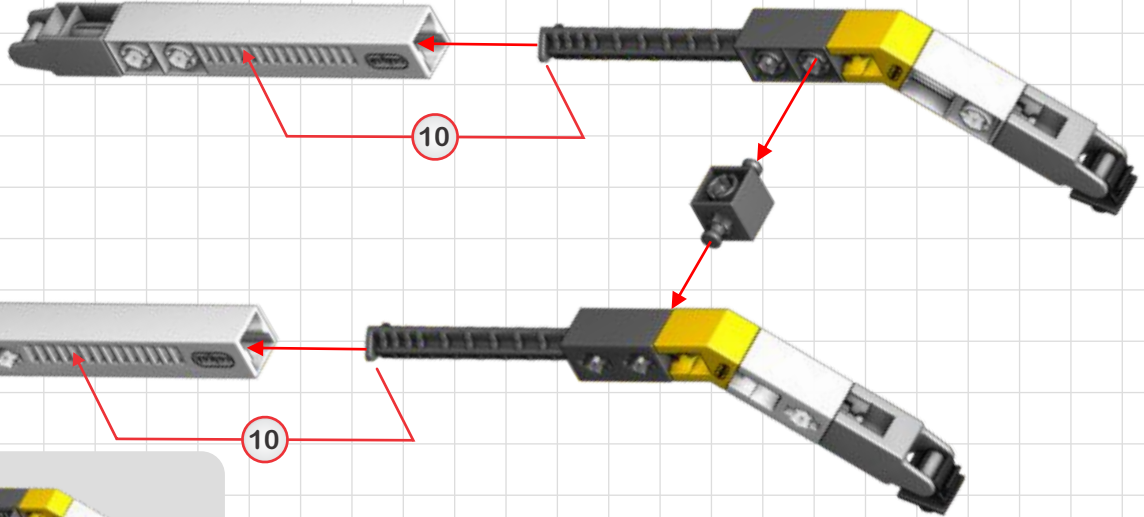
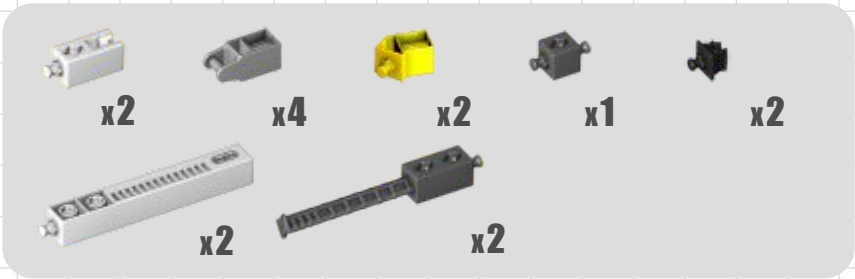


12



11

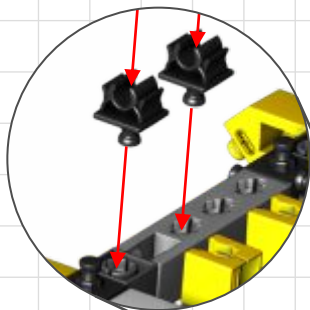
10



13



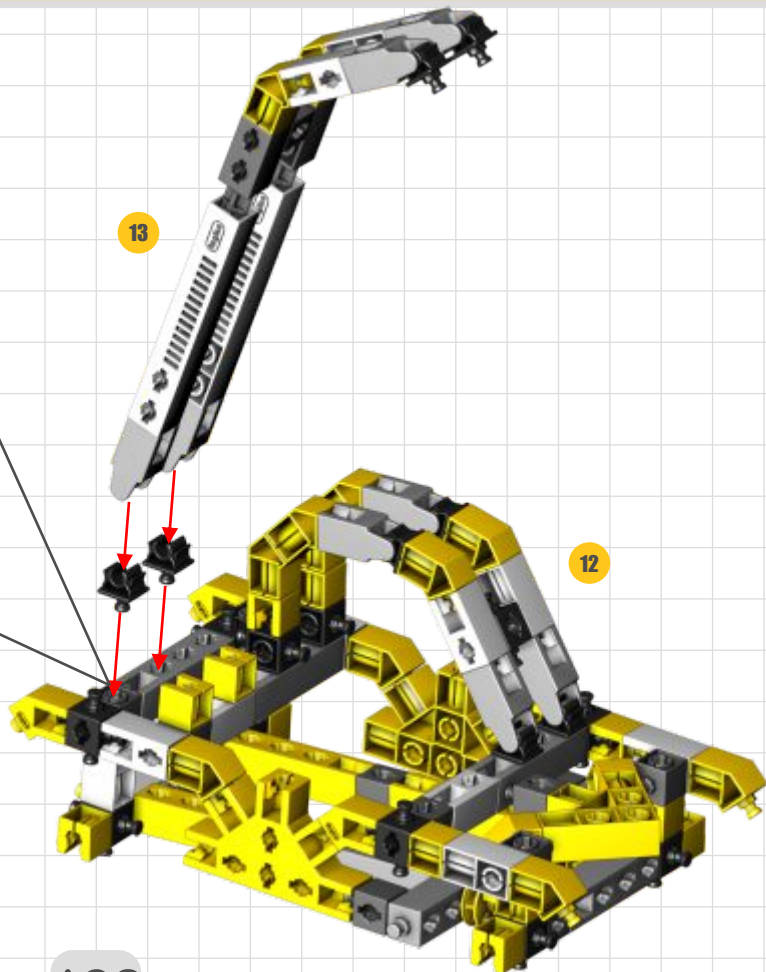
x2

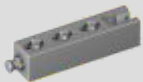


13

12

14





x2



x2



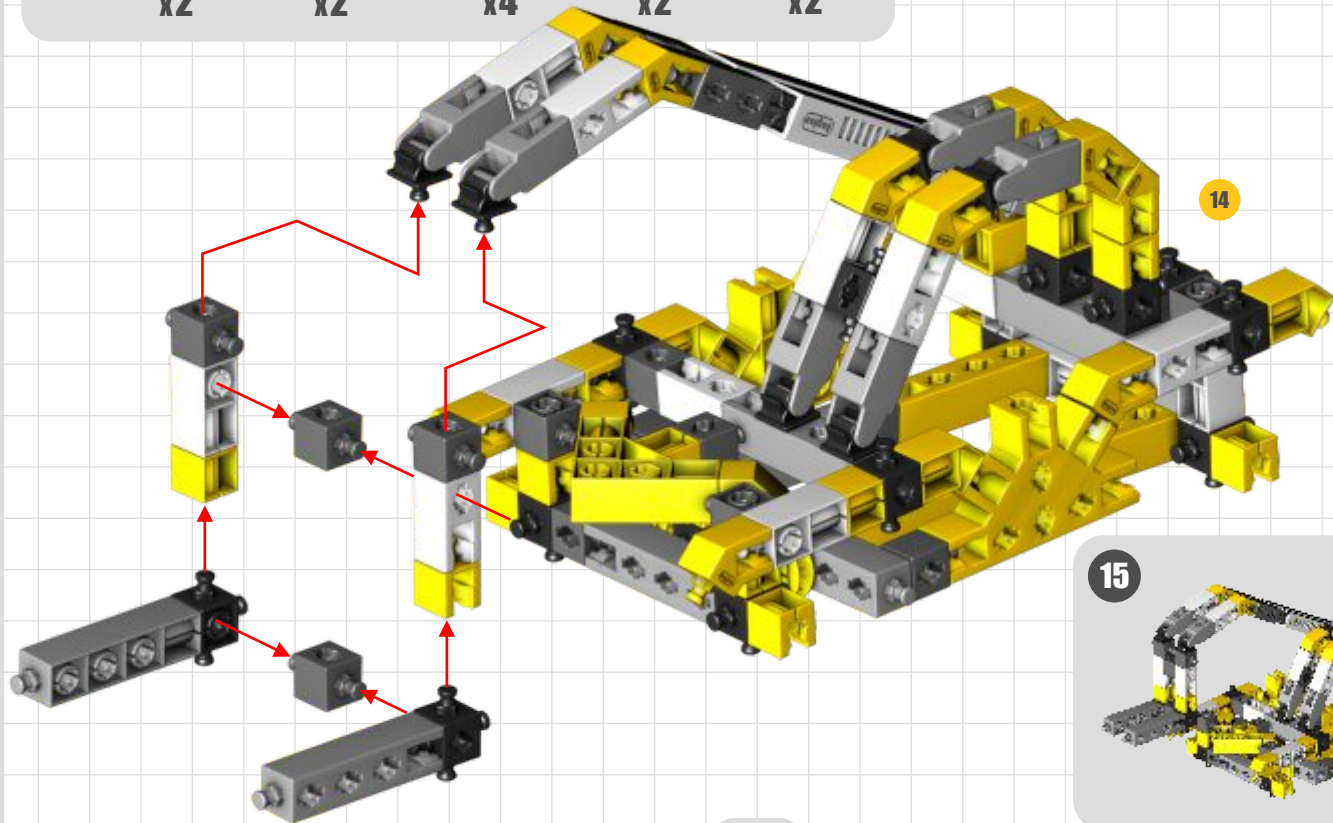
x4



x2

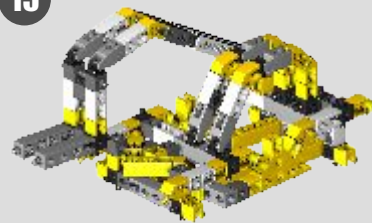


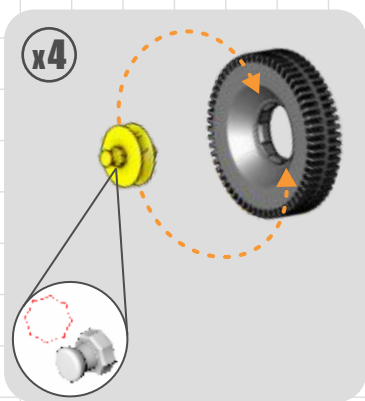
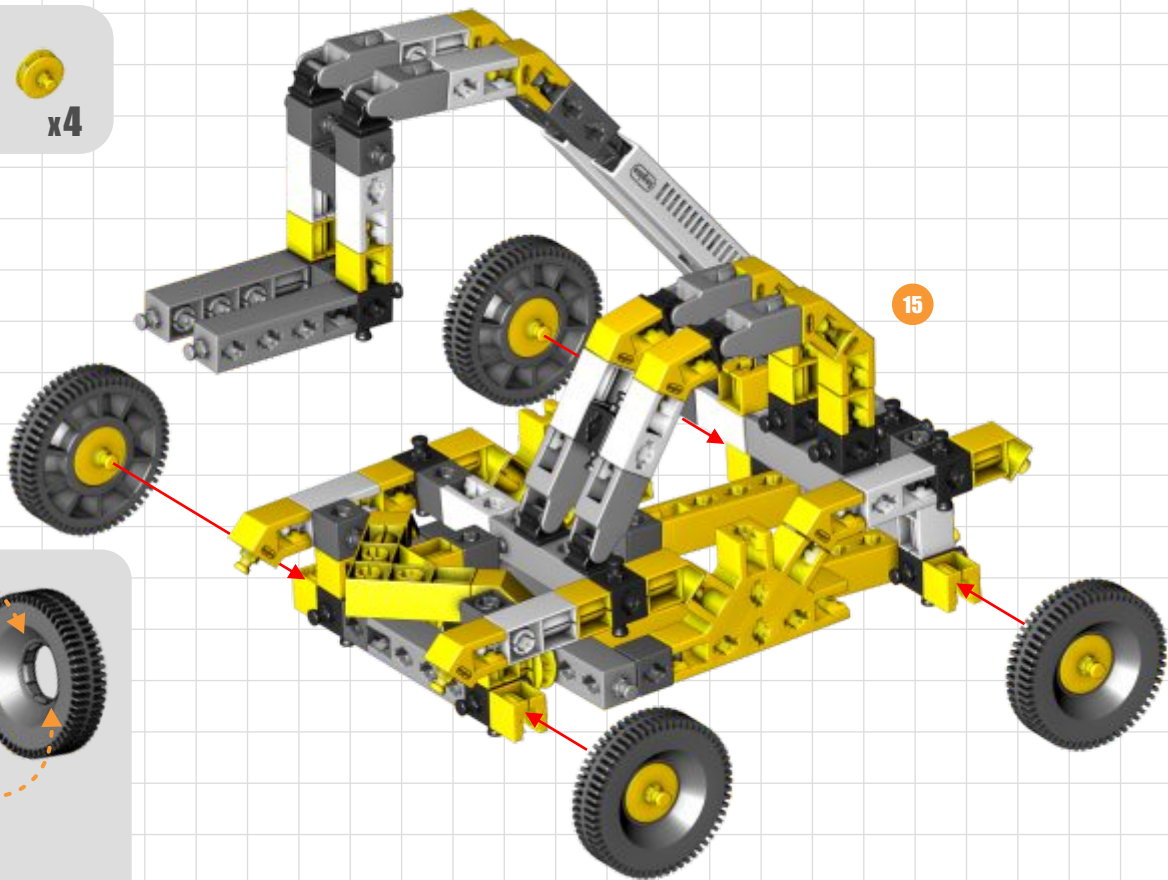
x2

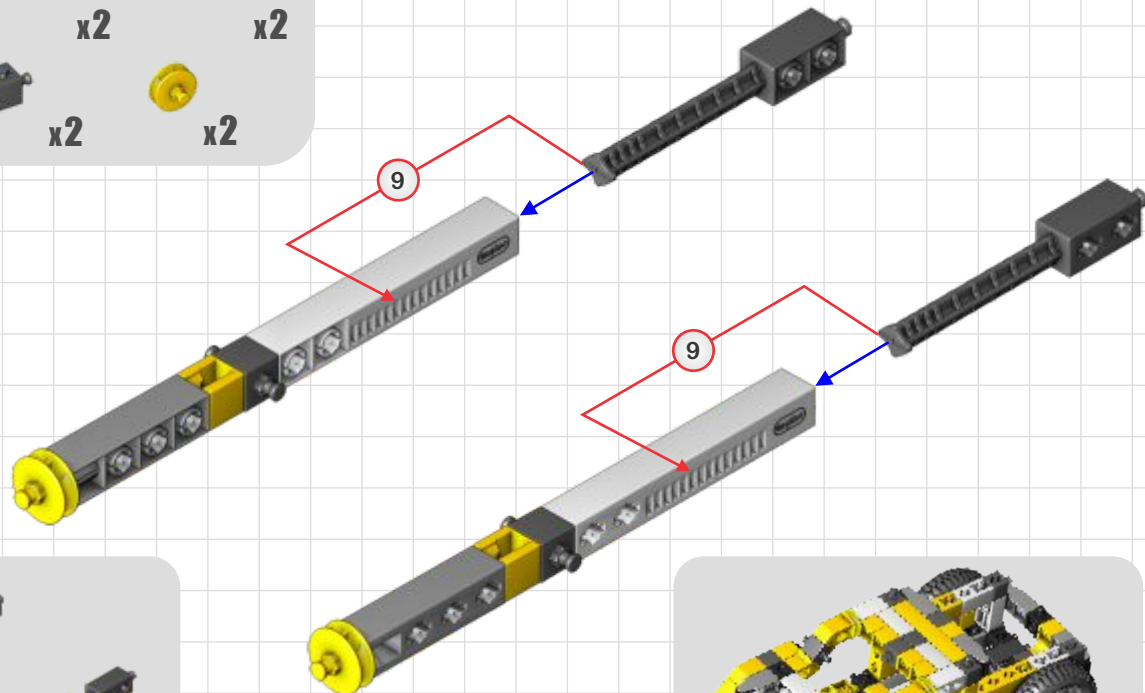
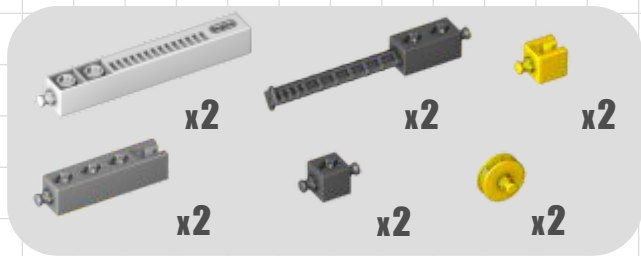


14

15









x1



x2



x1



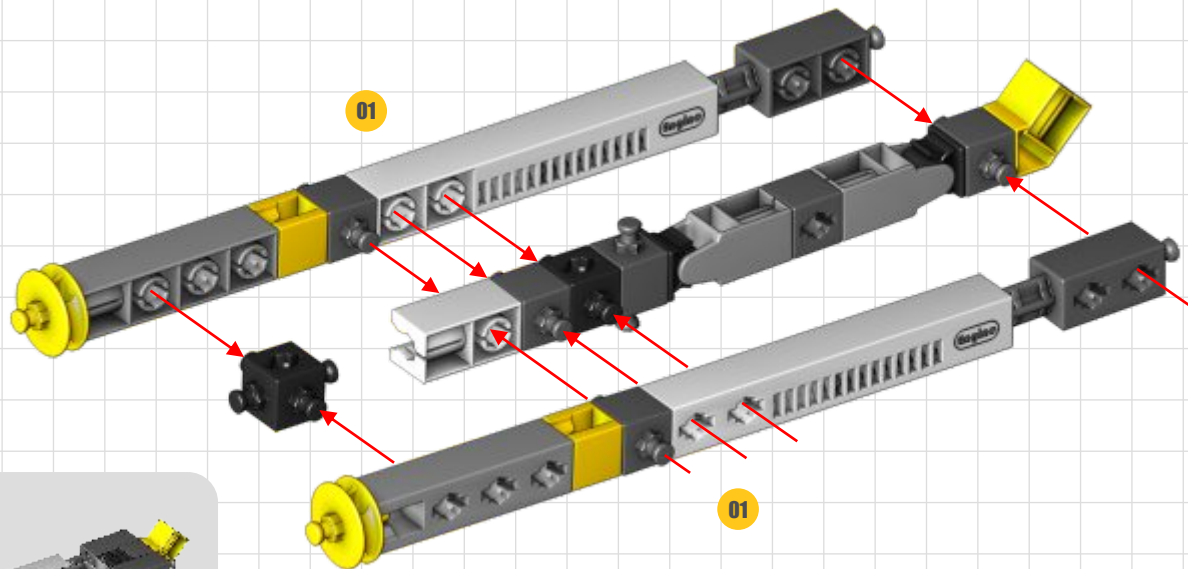
x2



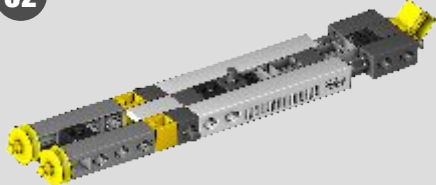
x4

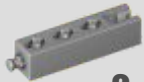


x2



02





x2



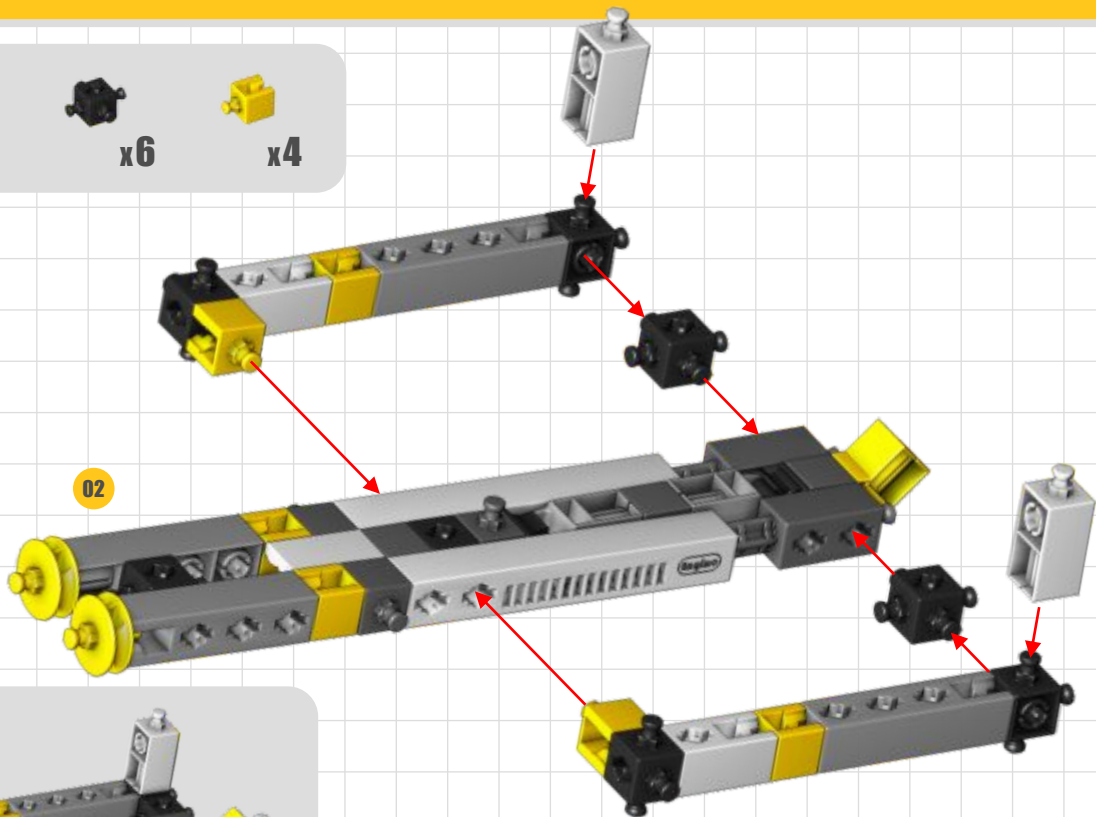
x4



x6

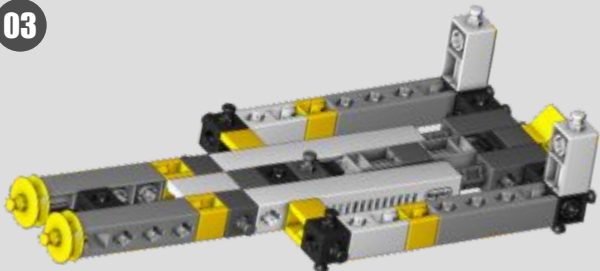


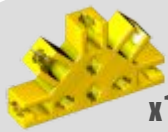
x4



02

03





x1



x3



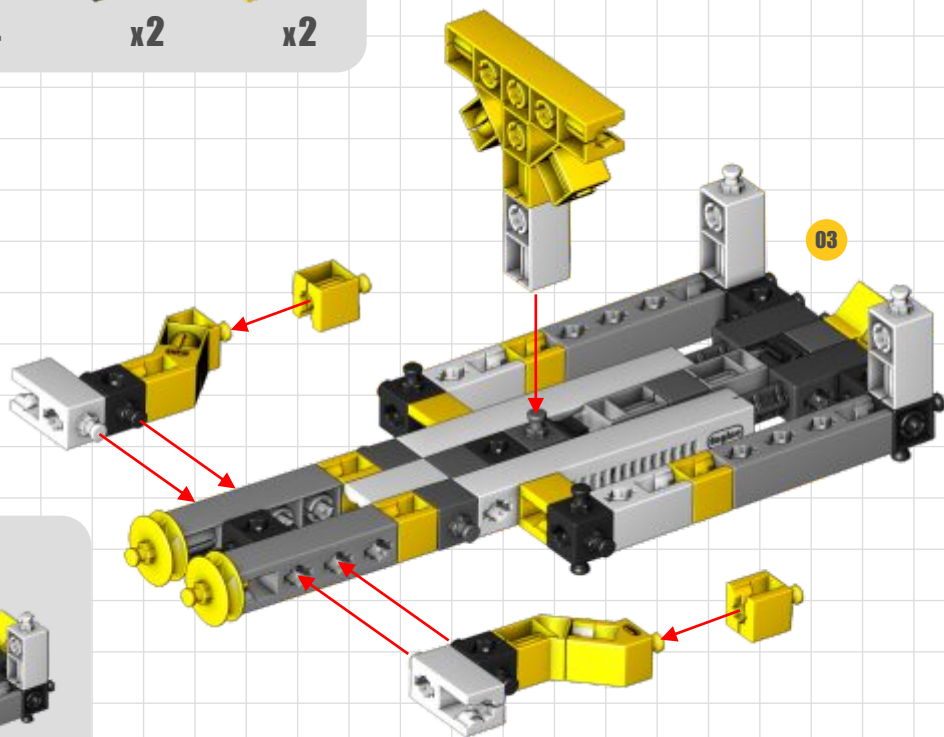
x4



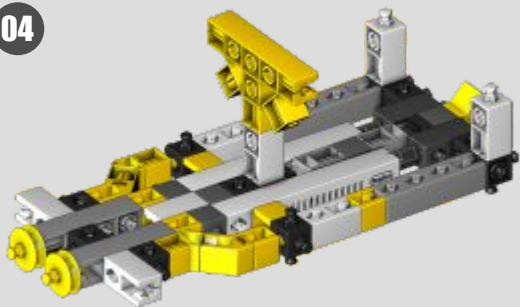
x2



x2

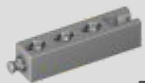


04





x4



x4



x2



x2

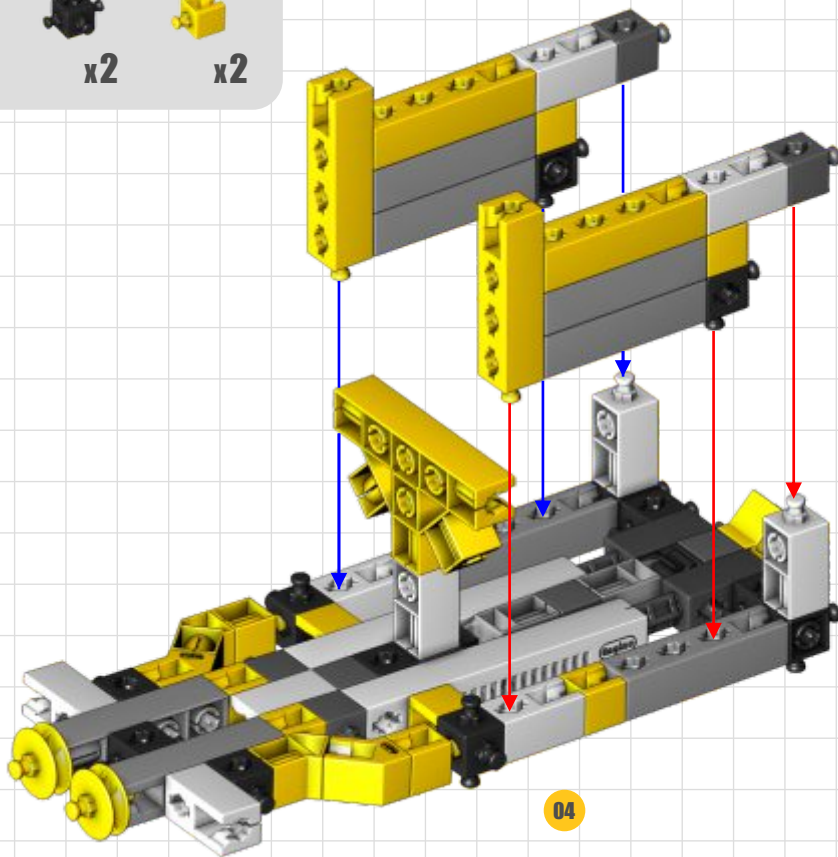
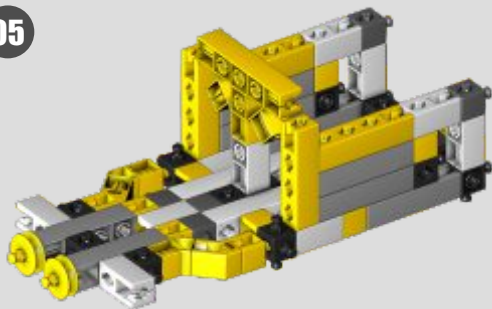


x2



x2

05



04



x4



x2



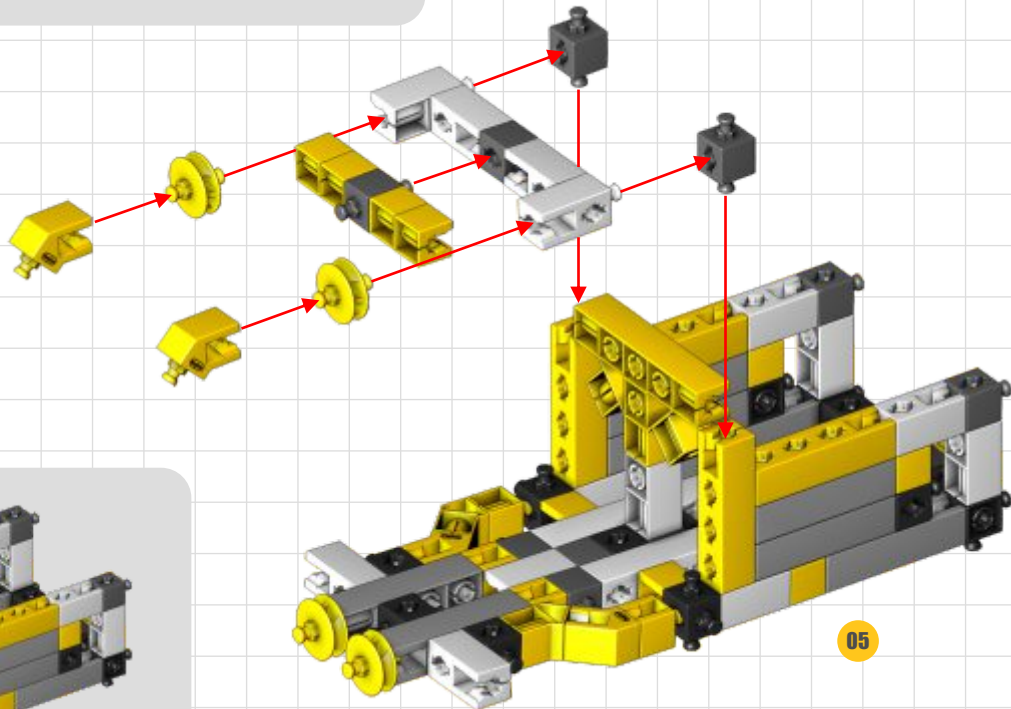
x2



x4

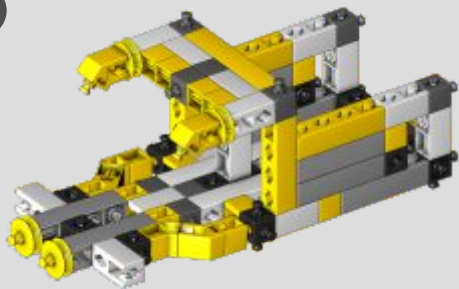


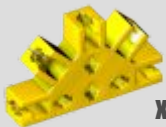
x4



05

06





x1



x4



x2



x2



x3



x3

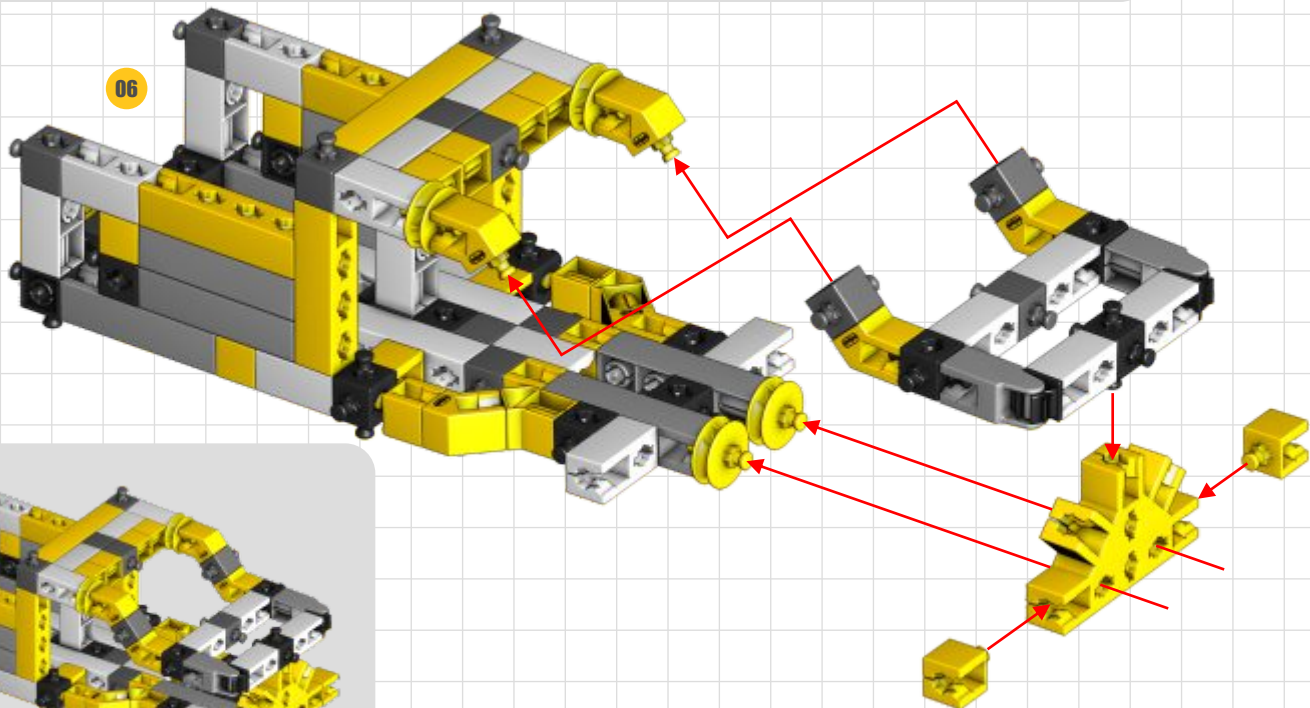


x2

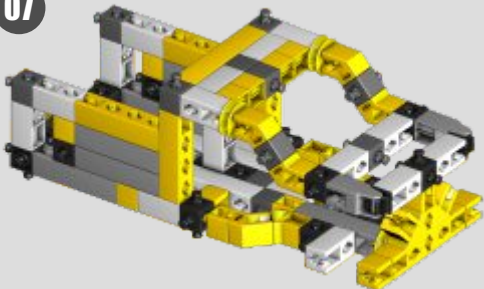


x2

06



07





x4



x1



x1

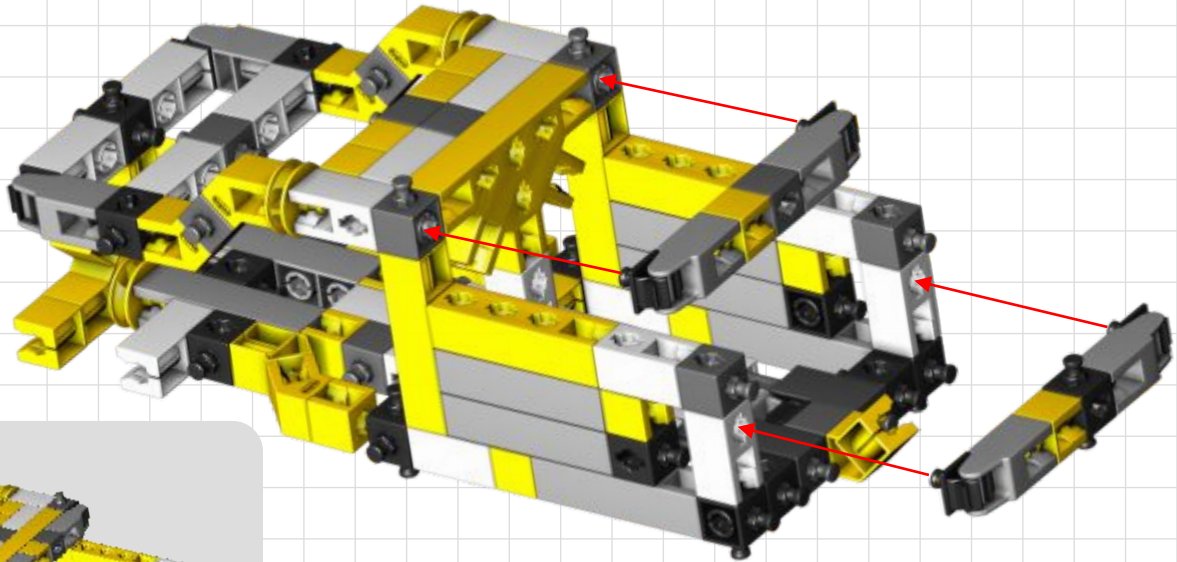


x2

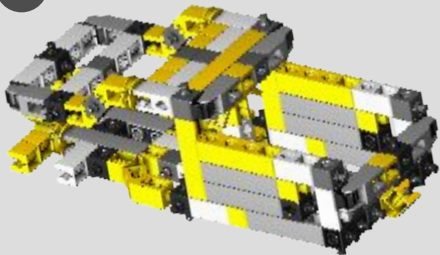


x4

07

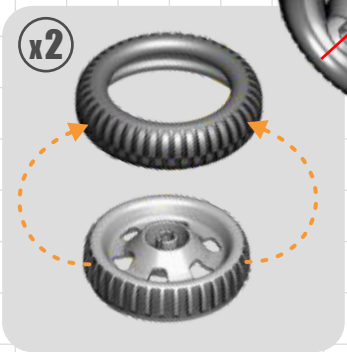
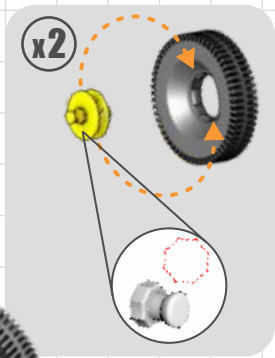
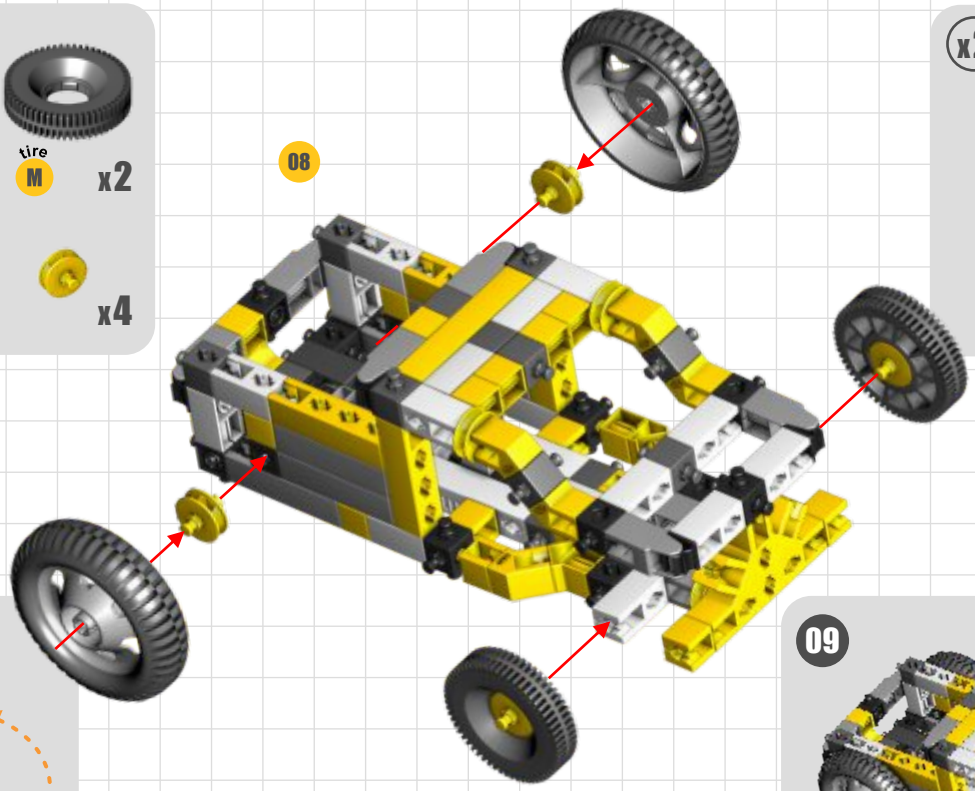


08





08



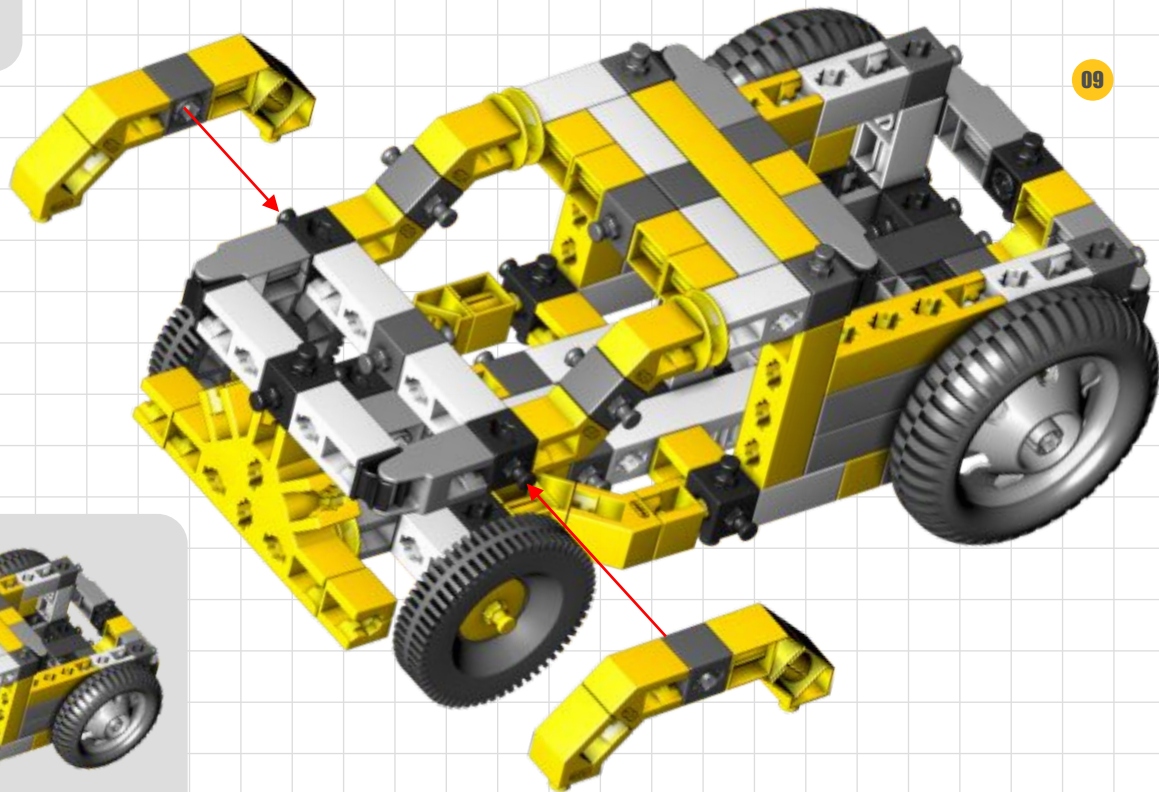


x8



x2

09



10

