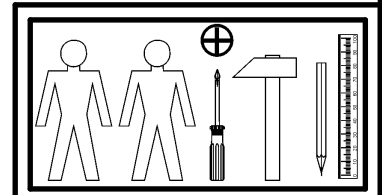
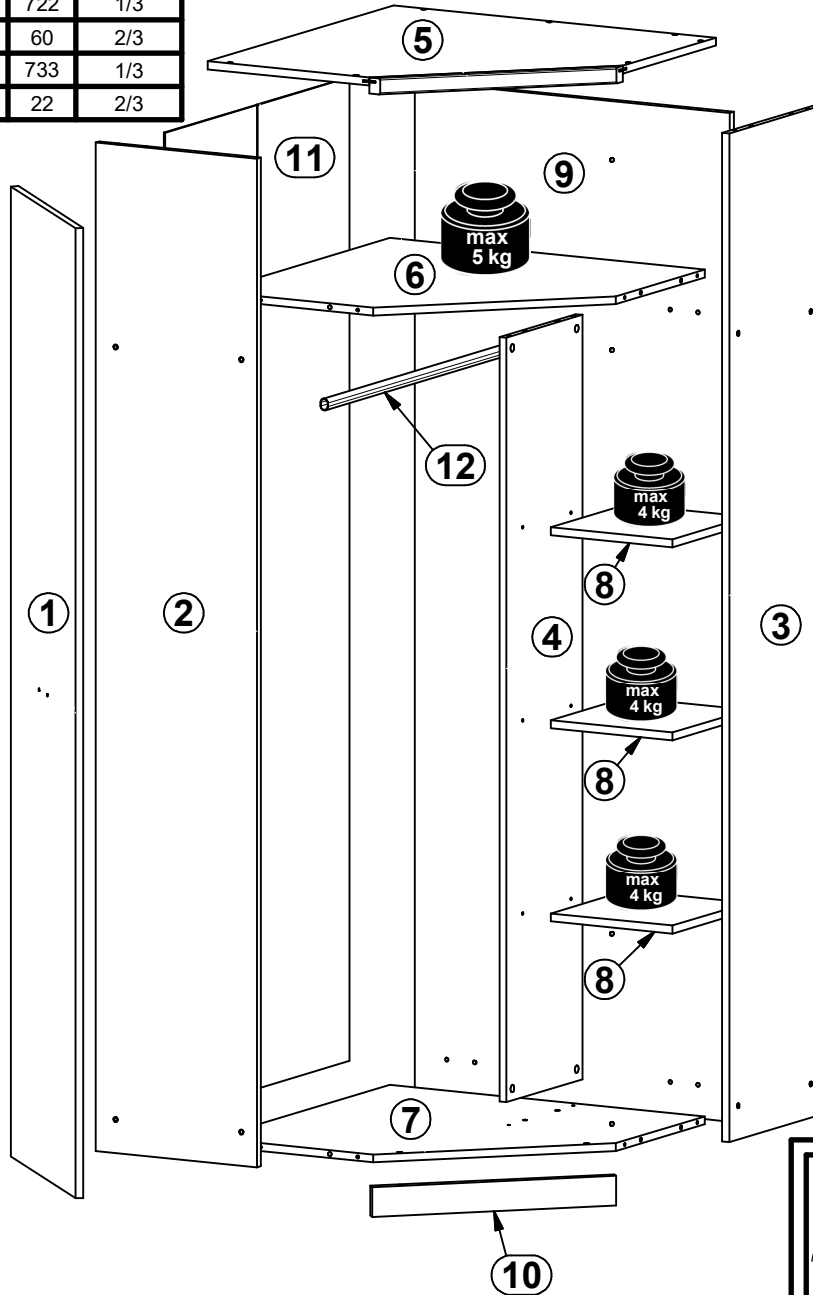
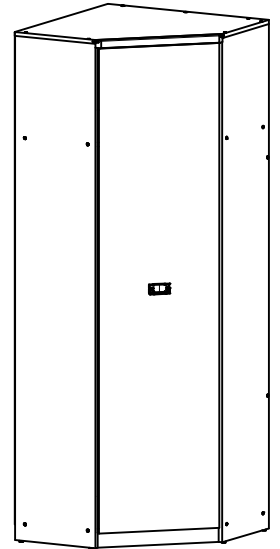
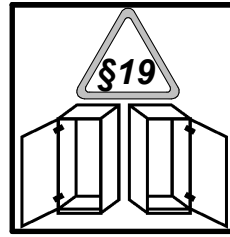
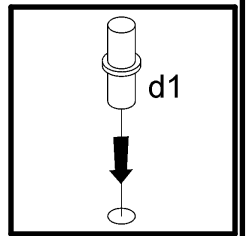
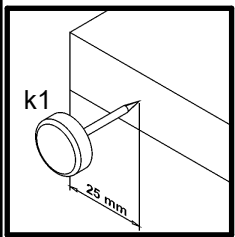
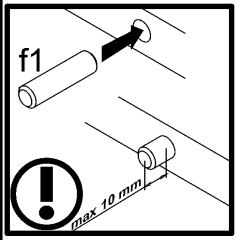
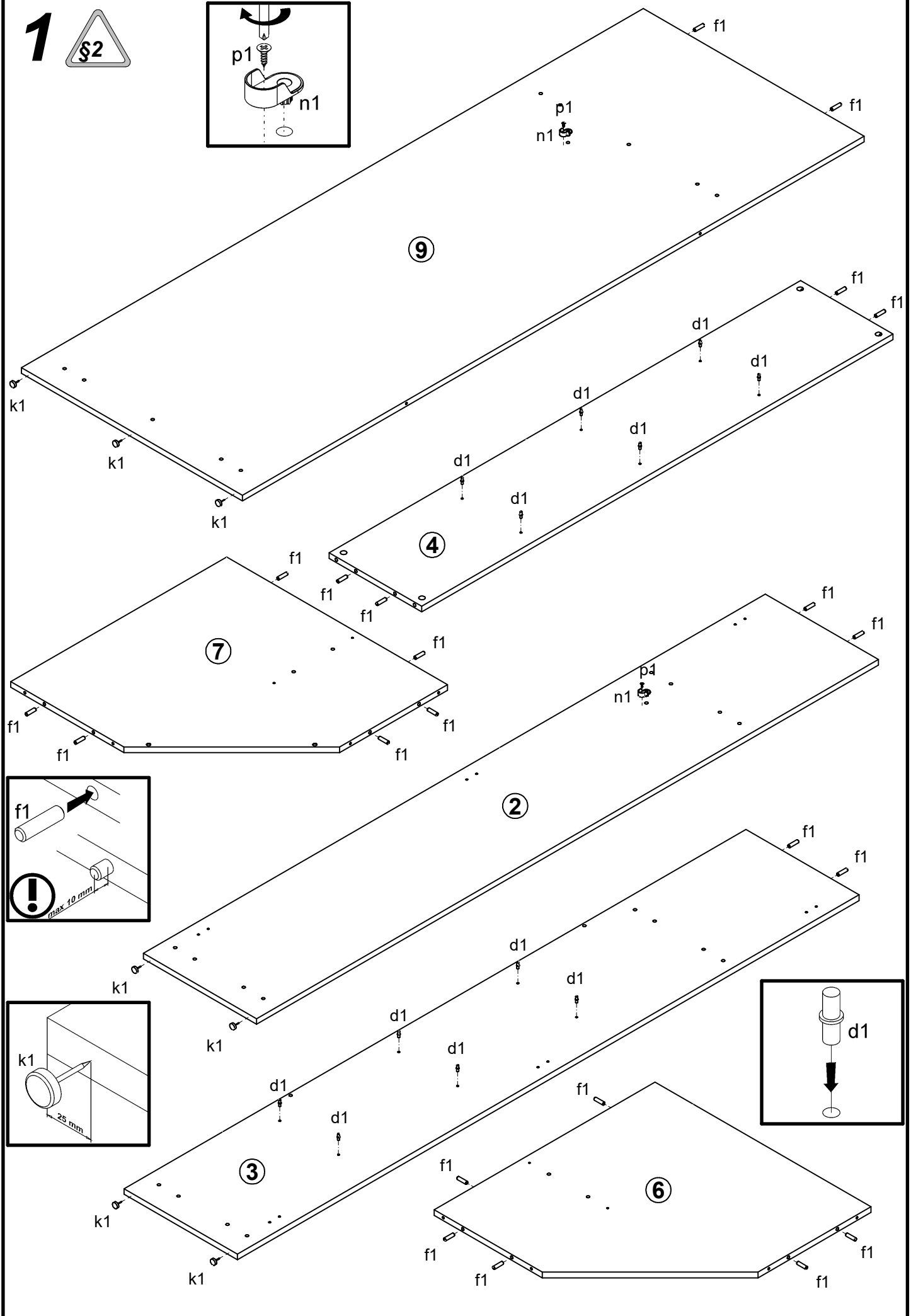
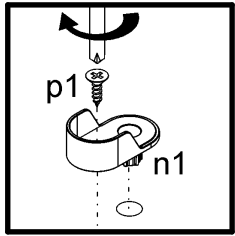


A	B	C	D	
1	S325-023	1954	496	3/3
2	S325-138	2032	370	1/3
3	S325-139	2032	370	1/3
4	S325-140	1540	302	1/3
5	S325-211	738,5	738,5	2/3
6	S325-321	705,5	722	2/3
7	S325-325	705,5	722	2/3
8	S325-326	279	300	2/3
9	S325-427	2032	722	1/3
10	S325-428	501	60	2/3
11	S325-925	1982	733	1/3
12	dr-701	701	22	2/3

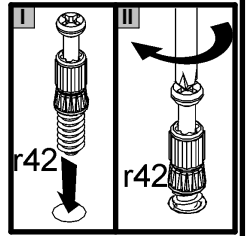
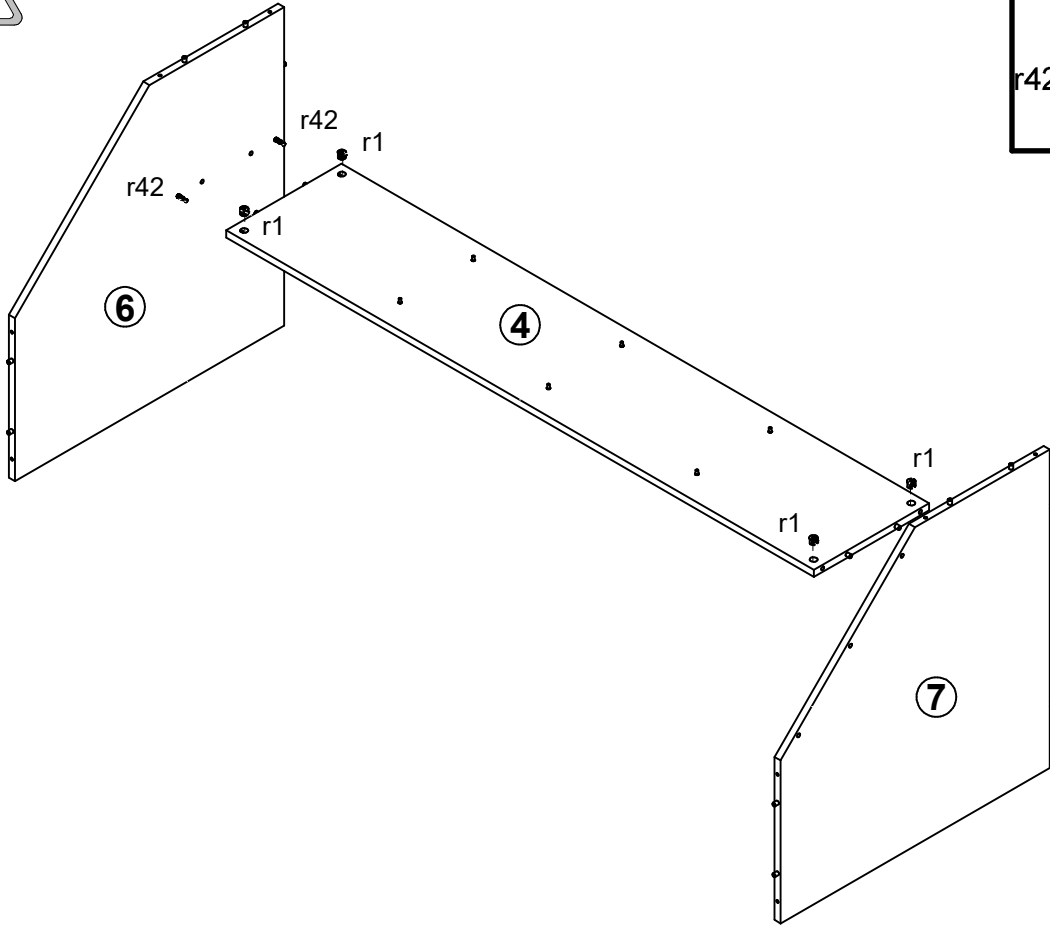


3x 45° a32	3x b31	1x 64 mm c417	12x Ø5x17 mm d1	25x Ø7x50 mm e1	23x Ø8x30 mm f1	2x M4x22 mm j30	7x k1	65x l1
2x h=22mm n1	1x n26	2x silikon o21	2x Ø3,5x13 mm p1	1x Ø3,5x16 mm p38	6x Ø3,5x15 mm p51	4x Ø15x12 mm #16 r1	4x 20-11 r42	12x s1
4x Ø16 s2	1x z1							

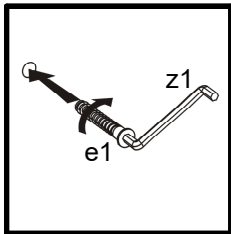
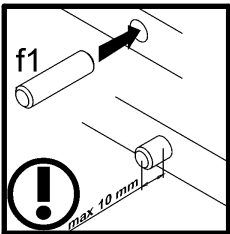
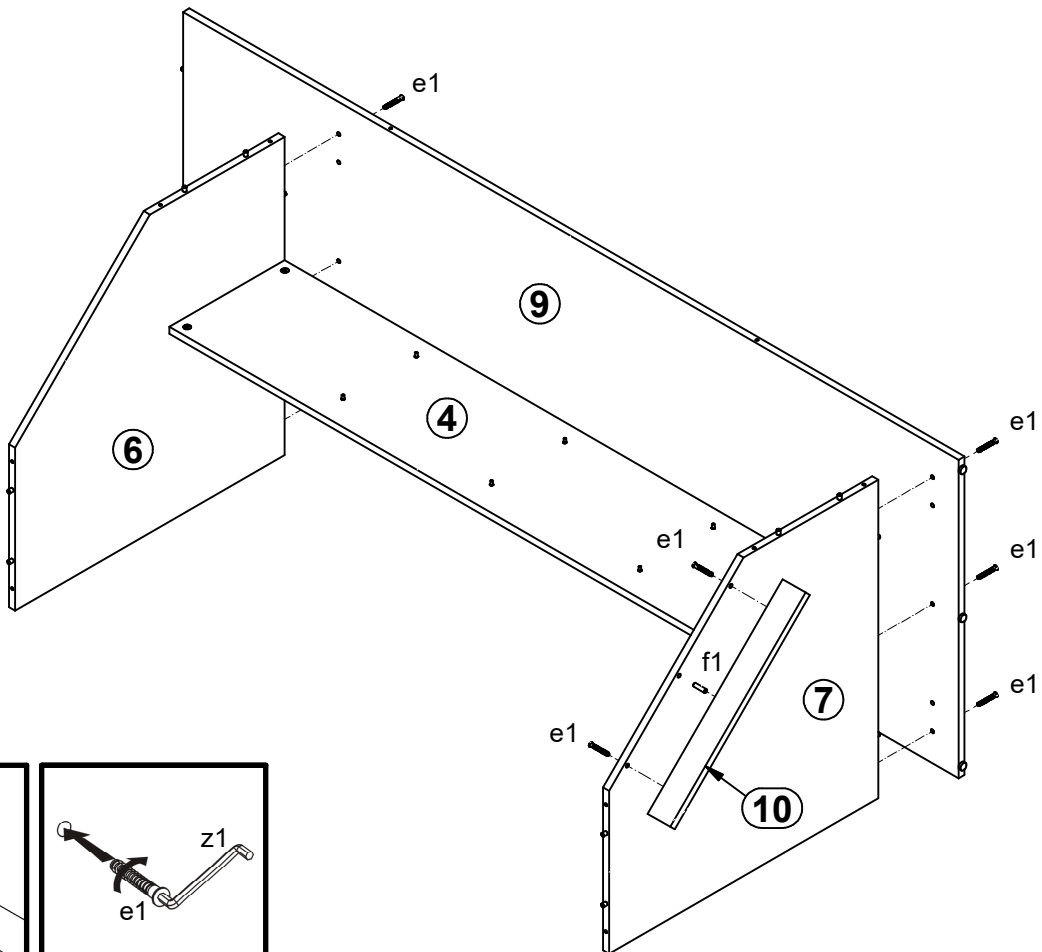
1



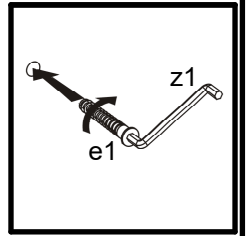
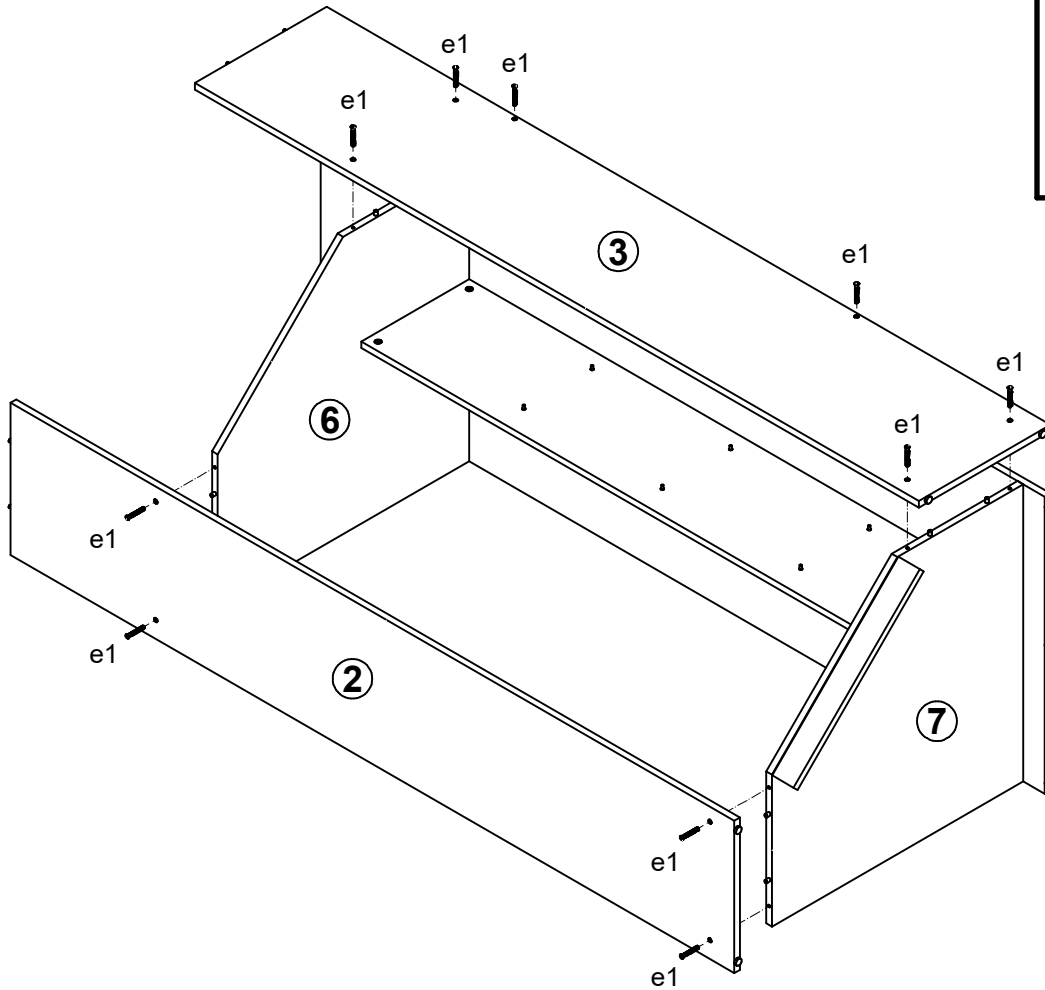
2



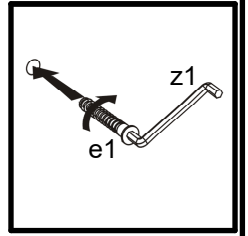
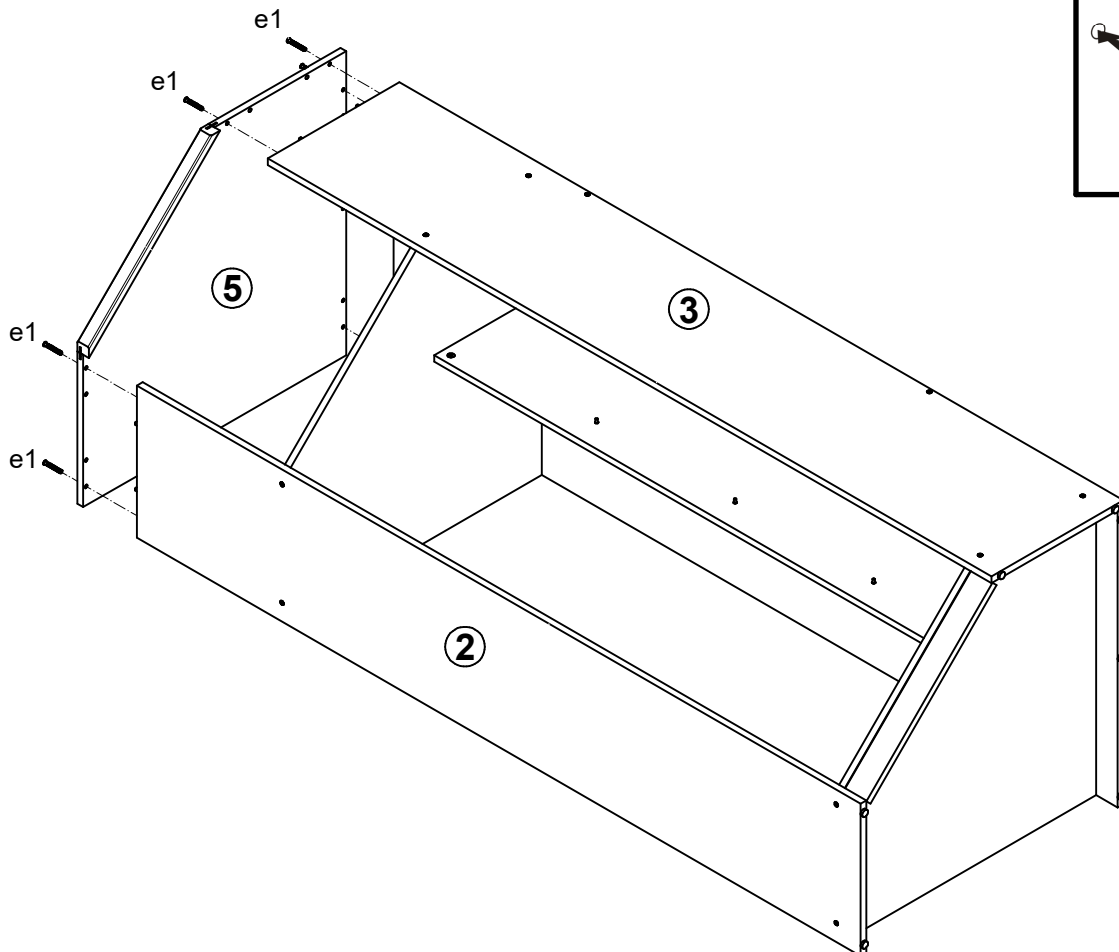
3



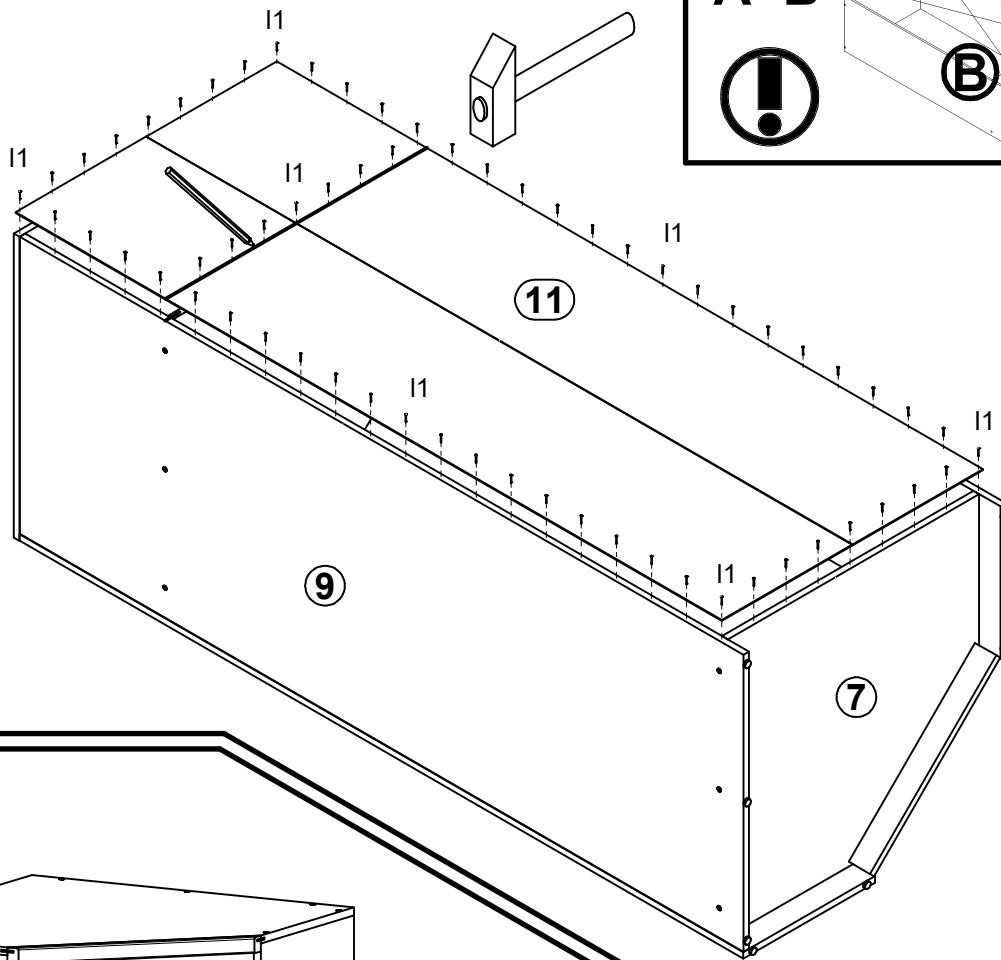
4



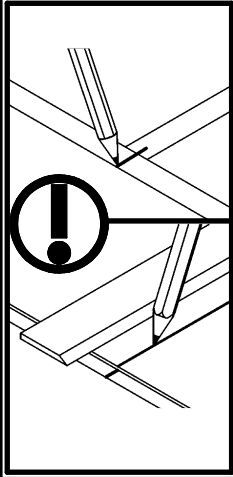
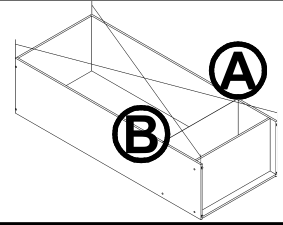
5



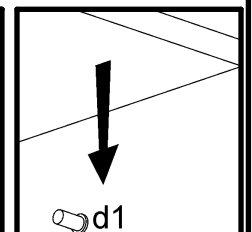
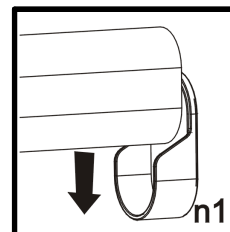
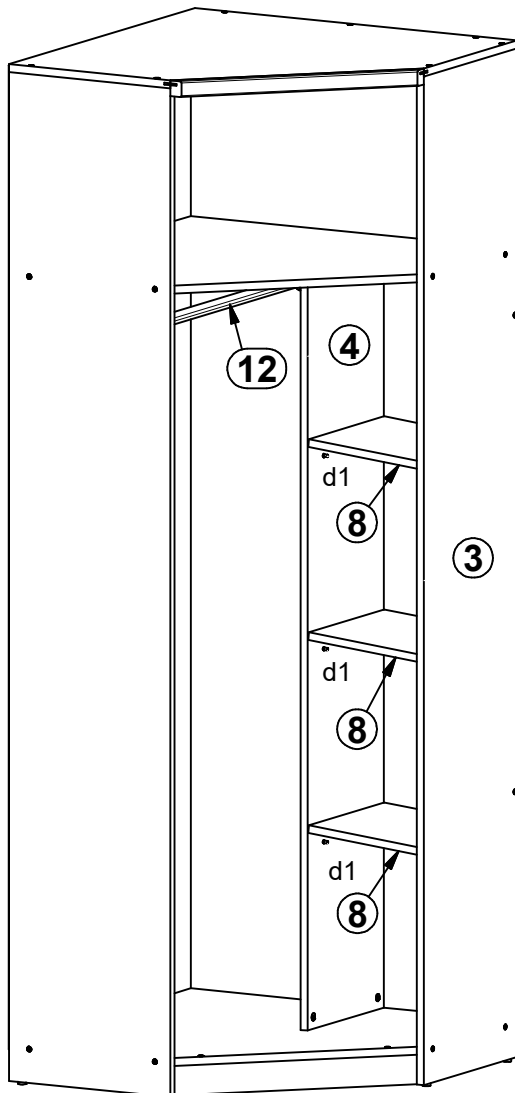
6



A=B



7



8

