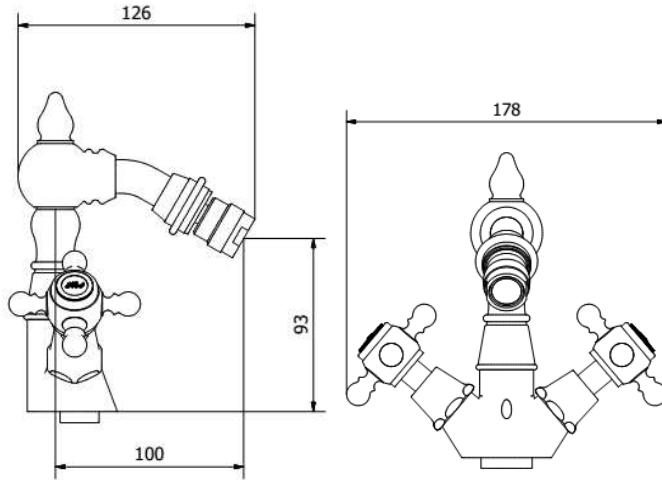




www.ibrubinetterie.it

HERMES
HR225

Range
Product



Product Description

Traditional mono hole bidet mixer complete with 1-1/4" pop-up waste, base integrated within the body as single-casted and metal levers.

Available Finishings

Chrome	<input checked="" type="checkbox"/>	Glossy Black	<input type="checkbox"/>	PVD Gold	<input type="checkbox"/>	Copper	<input checked="" type="checkbox"/>
Brushed Nickel	<input checked="" type="checkbox"/>	Matt White	<input type="checkbox"/>	Gold	<input checked="" type="checkbox"/>	Bronze	<input checked="" type="checkbox"/>
Glossy White	<input type="checkbox"/>	Matt Black	<input type="checkbox"/>	Rose Gold	<input checked="" type="checkbox"/>	YO - Your Own	<input checked="" type="checkbox"/>

Tech Specifications

iB Standard	Possible Alternative
-------------	----------------------

Headwork Ceramic Headwork G 1/2" Flow Restrictions – See below

Wall Hoses Flexible Inox 3/8", 400 mms long Flexible Inox 1/2", 400 mms long
Copper Tails
PEX Pipes

Different lengths available on request

Aerator M 24X1

Flow Rate
(+/- 10%)

1 BAR	10 l/m
2 BAR	14 l/m
3 BAR	17 l/m

Changing aerator or adding flow restrictors in the hoses, the following range of TOP flow rates can be achieved	2,0 l/m
	4,5 l/m
	7,0 l/m
	9,5 l/m
	12,0 l/m
	14,5 l/m
16,0 l/m	

Material Brass
According to CUZN35PB2AL-B(CB752S)
Max Lead content: 1,6%

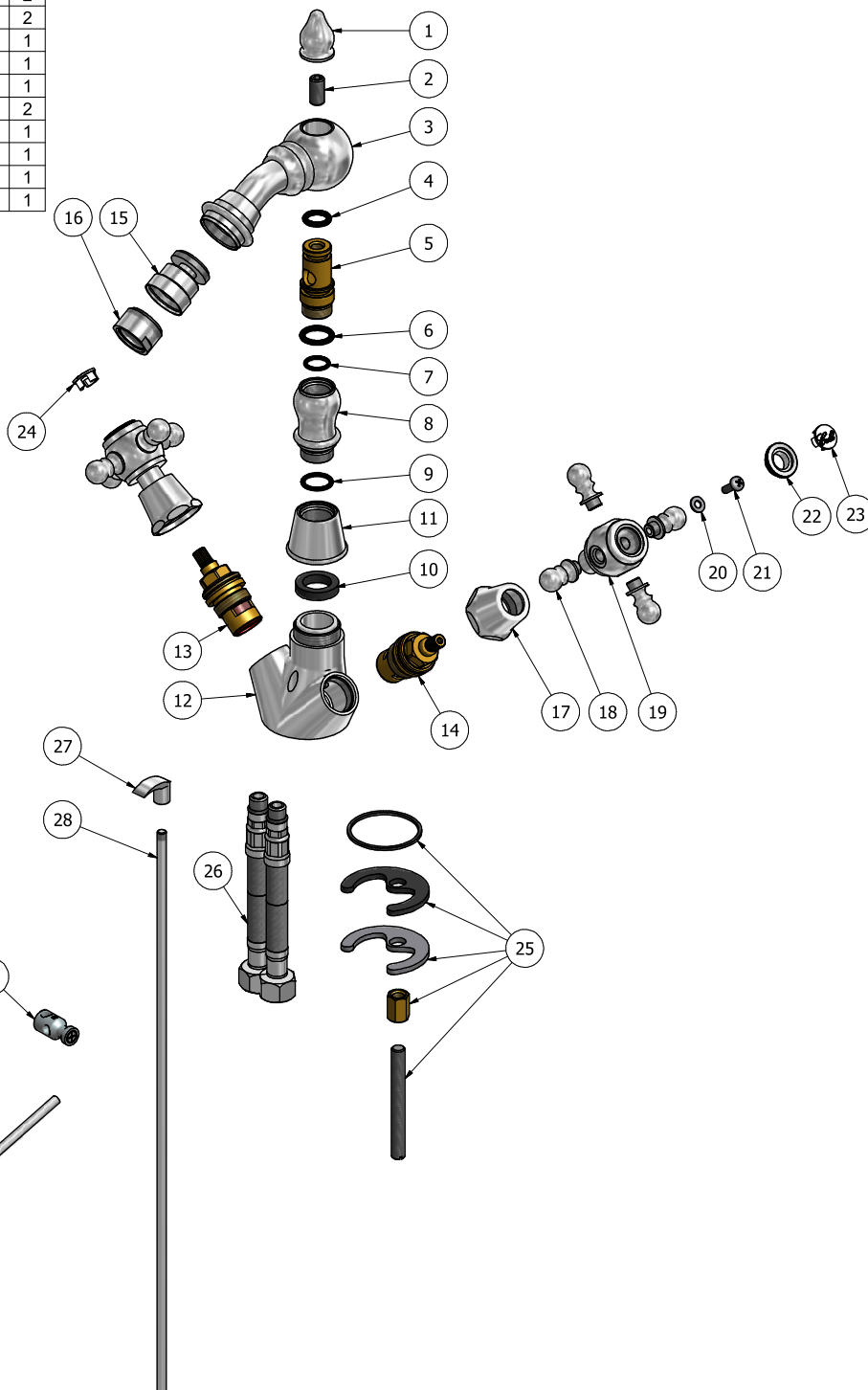
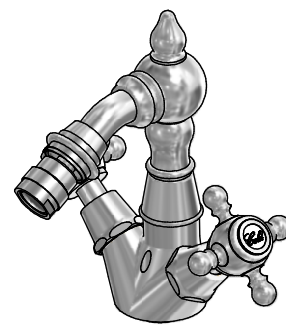
Production Main body is a single casted piece



info@ibrubinetterie.it
p.iva 01785230986
capitale sociale € 420.000,00 i.v.
T +39.030.802101
F +39.030.803097
iB Rubinetterie SpA
via dei pianotti, 3/5 - 25068 sarezzo (bs) - Italy

Elenco parti

EL	CODICE	NUMERO DI MAGAZZINO	QT
1	AC0007124	Knob Ø19 M8 H27.4	1
2	AQ0006931	Grubscrew M8x16 p.p.	1
3	AC0009340	Bidet's spout	1
4	AQ0001320	OR 10.78x2.62 NBR 70 SH	1
5	AS0007129	Insert Ø18.9 G3/8" H 43 M8	1
6	AQ0001365	OR 13.95x2.62 NBR 70 SH	1
7	AQ0001350	OR 11.11x1.78 NBR 70 SH	1
8	AC0009347	Extension M18x1 G3/8"	1
9	AQ0001390	OR 14x2 NBR 70 SH	1
10	AQ0010989	Rubber Ø14 Ø16 H5	1
11	AC0009463	Base for extension Ø34 H25 G3/4"	1
12	AC0000695	Mixer body	1
13	AQ0002135	Ceramic headwork 90° left	1
14	AQ0003930	Ceramic headwork 90° right	1
15	AQ0001940	Articulated joint M24x1	1
16	AQ0000020	Complete perlator M24 x 1	1
17	AC0003100	Cap for headwork	2
18	AQ0006591	Pin for handle	8
19	AC0003095	Lever Ø31.5 M8x1 H42	2
20	AQ0010229	Inox washer Ø4	2
21	AQ0010985	Inox screw M4x12	2
22	AQ0009069	Cover Ø20 PLS	2
23	AQ0013552	Handle's plug cold	1
24	AQ0013551	Handle's plug hot	1
25	AQ0006400	Fixing set	1
26	AQ0000932	Inox hose M10x1 G3/8" L400	2
27	AC0009335	Knob	1
28	AC0010414	Rod Ø5 H360	1
29	AQ0000280	PUW - PU Joint	1
30	AQ0003140	Pop-up waste 1"1/4	1



Tolleranze generali				Peso	Scala	Formato
±0,1						A2
Materiale						
Disegnatore	Data creazione	Approvato da	Approvato il			
F. Tornambè	16/07/2002					
Denominazione				Codice		
Esplosio bidet Hermes				KHR225CCXN_1		

www.brunobiondi.it
 Via del Fiorino 3/5
 22068 Sarnano - BRESCIA
 tel. 030802101 fax 030803097
 www.brunobiondi.it

WARRANTY

all iB Rubinetterie SpA products are warranted for 10 years from the date of purchase, for the following cases:

- defects of casting, porosity and chrome plating
- operating defects caused by incorrect fabrication.

The warranty provides for the repair or replacement of products with fabrication defects recognized by our technical office.

There is no other type of compensation and the merchandise must be returned FOB our warehouse. The warranty only cover surface defects (scartches, dings, etc.) on fittings that have not been installed and used, returned in its original packaging with all components.

O-rings, gasket seals and components subject to wear proportional to use are warranted for 2 years.

The warranty is void in the following cases:

- error installing and putting the product into service.
- deterioration of chrome-plated surfaces due to use of cleaning products containing acids or abrasive substances
- deterioration of surface with finishes other than chrome plating. Their durability is, in fact, dependent on the user's care and gentleness of use.
- deterioration of the fitting due incorrect installation.
- improper repairs and maintenance performed without the company's prior authorization.

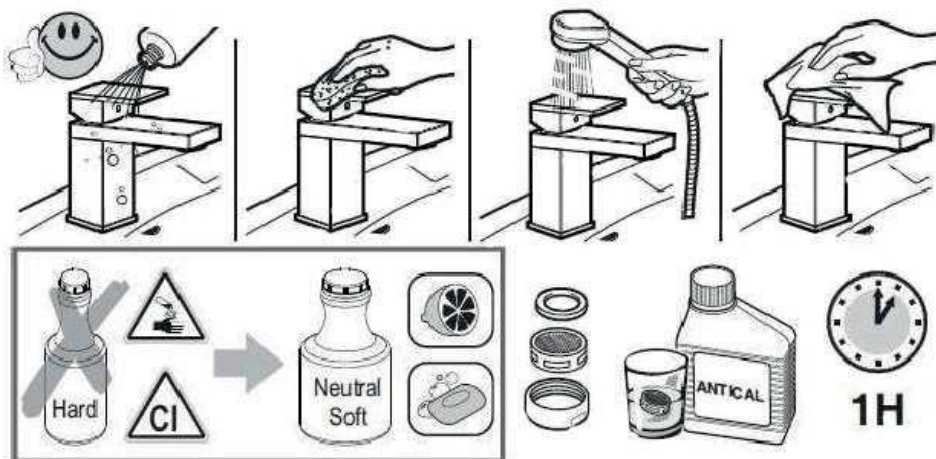
The warranty from iB Rubinetterie SpA is not renewable.

Cleaning:

We recommend cleaning chrome-plated and gold-finish surface with water and soap, using a soft cloth.

Do not use detergents that contain hydrochloric acid or abrasive substances.

Plastic parts must only be cleaned with soap and water and soft cloth.



IMPORTANT

Pressure & Temperature Requirements.

- * Hot and cold water inlet pressures should be equal.
- * Inlet pressure range: 150-1000 kPa
- * New Regulation: -500 kPa maximum operating pressure at any outlet within a building. (Ref. AS/NZS 3500.1-2003, Clause 3.3.4)
- * Maximum hot water temperature: 80°C.



iB Rubinetterie S.p.A.

Via dei Pianotti 3/5
25068 SAREZZO (BS) Italy
Iscr. Reg. Impr. BS 01785230986
R.E.A. BS 352087
P.IVA IT01785230986
Capitale Sociale € 420.000,00 i.v.
phone +39 030 802101
fax +39 030 803097
info@ibrubinetterie.it
www.ibrubinetterie.it

