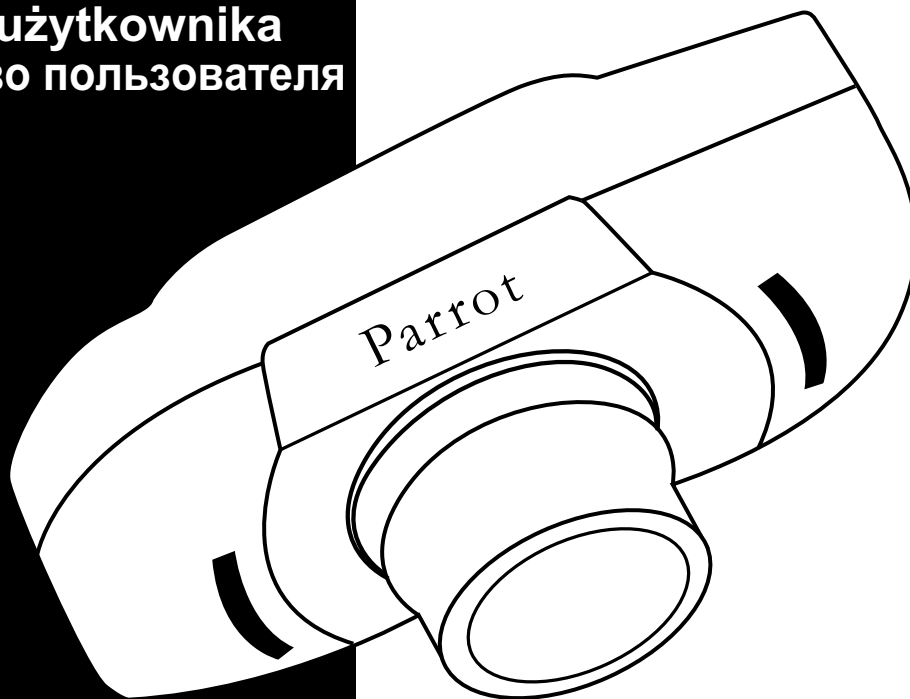


[www.parrot.biz](http://www.parrot.biz)

# Parrot CK 3000 EVOLUTION

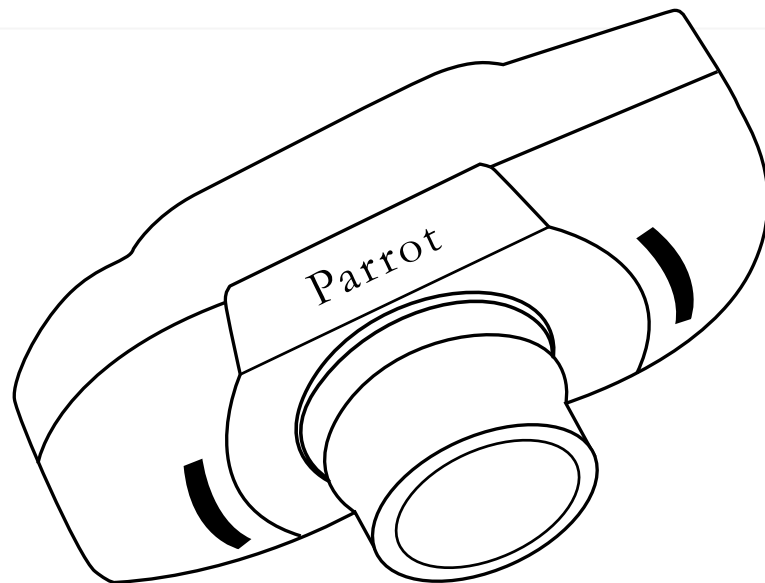
User's Guide  
Návod k použití  
Instrukcja użytkownika  
Руководство пользователя



English Česky  
Polski Русский

[www.parrot.biz](http://www.parrot.biz)

[www.parrot.biz](http://www.parrot.biz)



<b>English</b>	<b>5</b>
<b>Česky</b>	<b>15</b>
<b>Polski</b>	<b>25</b>
<b>Русский</b>	<b>35</b>

**Warning :**

The manufacturer Parrot S.A. and its affiliates should not be held liable towards End-Users or third parties for prejudice caused by misuse of the product, nor for usage that would be in violation of local traffic regulations and laws.

**Disclaimer :**

The information in this document is subject to change without notice and does not represent a commitment on the part of vendor. No warranty or representation, either expressed or implied, is made with respect of quality, accuracy or fitness for any particular purpose of this document. The associated with it at any time without obligation to notify any person or organization of such changes. In no event will the manufacturer be liable for direct, indirect, special, incidental or consequential damages arising out of the use or inability to use this product or documentation, even if advised of the possibility of such damages. This document contains materials protected by copyright. All rights are reserved. No part of this manual may be reproduced or transmitted in any form, by any means or for any purpose without express written consent. Product names appearing in this document are mentioned for identification purposes only. All trademarks, product names appearing in this document are registered property of their respective owners.

**FCC Compliance Statement :**

This device complies with part 15 of the FCC rules. Operation is subject to the following two conditions :

- 1- This device may not cause harmful interference.
- 2- This device must accept any interference received, including interference that may cause undesired operation.

**Declaration of Conformity:**

We, Parrot S.A. of 174 Quai de Jemmapes, 75010 Paris, France, declare under our sole responsibility that our product, Parrot EVOLUTION, to which this declaration relates is in conformity with appropriate standards EN300328, EN301489-17, EN 60950 following the provision of Radio Equipment and Telecommunication Equipment directive 1995/5/EC with requirements covering EMC directive 89/336/EEC and Low Voltage directive 73/23/EEC.

**Bluetooth:**

The Bluetooth® word mark and logos are owned by the Bluetooth® SIG, Inc. and any use of such marks by Parrot S.A is under license. Other trademarks and trade names are those of their respective owners.

---

# English

English

Česky

Polski

Русский

User's guide

---

## INTRODUCTION

The **CK3000 EVOLUTION** Car Kit allows you to use your mobile phone in the car with the highest level of comfort and the greatest possible safety.

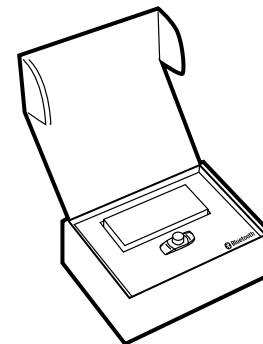
- The voice help feature and the voice recognition capability enable you to use your phone without taking your hands off the wheel.
- Your conversation is amplified through the vehicle's speakers.

The **CK3000 EVOLUTION** offers you the following features:

- Wireless radio connection with your mobile phone
- Full duplex hands-free conversations with echo cancellation
- Background noise reduction
- Voice recognition (up to 150 names) \*
- Automatic muting of the car stereo and connection to your vehicle's speakers
- Registering of up to three mobile phones

## Kit Contents

- Keypad
- Power supply cable
- Electronic control unit
- Microphone
- Mute cable
- User guide



*\* Feature only available with certain mobile phones.*

## FITTING

If your **CK3000 EVOLUTION** is installed by a professional, skip directly to the next chapter, entitled «Getting Started».

The **CK3000 EVOLUTION** comprises an electronic control unit, a microphone, a 2-key remote control and two ISO connector plugs for the car stereo.



### **Electronic control unit:**

Do not install the control unit near the vehicle's heater or air conditioning unit. Protect the unit from direct exposure to sunlight. Avoid enclosing the unit inside the vehicle's metal wings or panels, which could affect the quality of the Bluetooth® link.



### **Microphone:**

The microphone must be pointed towards the driver and preferably fitted between the sun visor and the rear-view mirror.



### **Keypad:**

You are advised to fit the keypad where it can easily be reached, preferably on a flat surface that has first been cleaned.

Connect the mute cable to the connector provided on the keypad. Ensure that the red and green LEDs light up and switch off according to the position of the key in the ignition.



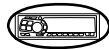
**CAUTION**



### **Connecting the mute cable and power supply cable:**

The mute cable is fitted with black ISO connectors.

The power supply cable is fitted with grey ISO connectors.



### **Car stereo with ISO plugs:**

Disconnect the car stereo's audio and power leads.

Join the female connectors of the mute cable and power supply cable to the car stereo. Join the vehicle's audio and power cables to the male connectors.

If the car stereo features a mute jack, connect the yellow wire of the mute cable to one of the «Mute in» jacks (1, 2 or 3). Refer to your car stereo's manual to determine the position of the mute jack.

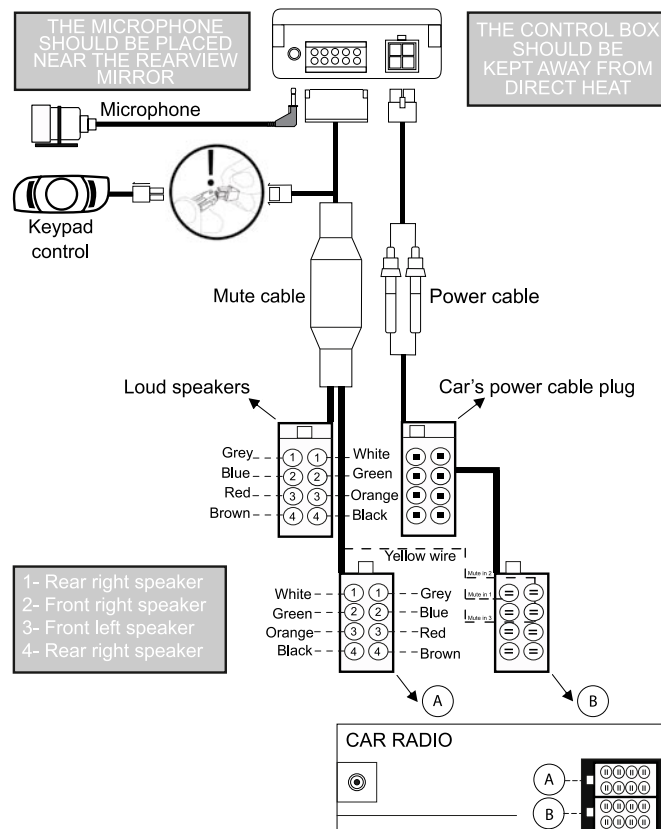
## CAUTION

- The red wire of the power cable must be connected to the constant 12V supply, the orange wire to the ignition 12V and the black wire to earth.
- Check the wiring diagram of the car stereo's ISO power connector plug.
- On some vehicles, the positions of the red and orange wires may need to be reversed. This can easily be done by reversing the fuse holders.
- Do not connect the orange wire to the constant 12V supply, as you could run down the vehicle's battery.

### Car stereo without an ISO plug:

You can use a specific adapter for the vehicle (not supplied)  
 If you do not have an adapter, connect each wire in turn if your vehicle does not have ISO connector plugs.  
 If the car stereo has a mute jack, connect using the yellow wire of the mute cable.

## CABLE DIAGRAM CONNECTION





## GETTING STARTED

### Choosing the Language When Using for the First Time

- Click the central button - the kit says «LANGUAGE» and then the name of the language currently used by the kit.
- If you are happy with the language, you can exit the menu by pressing the red button or go to the next menu by turning the scroll wheel.
- If you wish to change the language, access the menu by clicking the central button or green button.
- When you turn the scroll wheel, the kit announces the languages available (English, Czech, Polish, Russian).
- When you hear the required language, confirm by clicking the central button or green button.
- You will hear a confirmation message.

### Adjusting the Volume When Using for the First Time

- Click the central button - the kit says «LANGUAGE» and then the name of the language currently used by the kit.
- Turn the scroll wheel until the kit says «VOLUME».
- A beep enables you to determine the current volume level.
- To increase or decrease the volume, access the menu by clicking the central button or green button.
- Turn the scroll wheel towards the right to increase the volume or towards the left to decrease the volume. When you are happy with the level, confirm by clicking the central button or green button.
- You will hear a confirmation beep.

### Pairing

The first time that you switch the kit on, you must pair your mobile phone with the hands-free kit.

- Enable the Bluetooth mode on your mobile phone.
- Search for any peripherals.

For further information, refer to the chapter entitled «Pairing» in your mobile phone's user guide or check out the [www.parrot.biz website](http://www.parrot.biz/guide_chm/evolution/index.html) [http://www.parrot.biz/guide\\_chm/evolution/index.html](http://www.parrot.biz/guide_chm/evolution/index.html)

On the left of the screen, click on the «Bluetooth® phones» heading. By choosing the required mobile, you can access all the configuration procedures.

- Once detected, «Parrot EVOL» is displayed on your phone.
- Select it.
- Enter the link code **(1234)** when prompted by your phone and then confirm. The **CK3000 EVOLUTION** connects to your phone and says «pairing successful».

All the menus are now available when you click the central button and their name is announced by the hands-free kit when you turn the scroll wheel. You are now connected to the hands-free kit and can use it to make and receive calls.

## **Making and Receiving Calls**

### **Making a call manually:**

- Dial the number using the phone's keypad.
- The conversation automatically switches to hands-free mode. Otherwise, press the kit's green button.

### **Receiving a call:**

- Press the kit's green button or say «PHONE» (refer to the chapter entitled «Magic Words») to receive the call.
- Press the red button on the hands-free kit or say «HANG UP» (refer to the chapter entitled «Magic Words») if you wish to reject the call.

### **Ending a call:**

- Press the red button on the hands-free kit or say «HANG UP» to end the call.

### **Voicemail:**

You can access your voicemail functions from the hands-free kit.

- Dial up your voicemail.
- When you hear the messages, click the central scroll wheel. The kit says «0».
- Then turn the scroll wheel until you hear the required number (1, 2, 3, etc.).
- Confirm by pressing the scroll wheel.

### **Redial function\*:**

- Hold down (long click: +2 sec) the green key on the hands-free kit to redial the last number dialled. The kit says «Redial».

### **Volume during calls:**

- During the call, adjust the volume by turning the central scroll wheel.

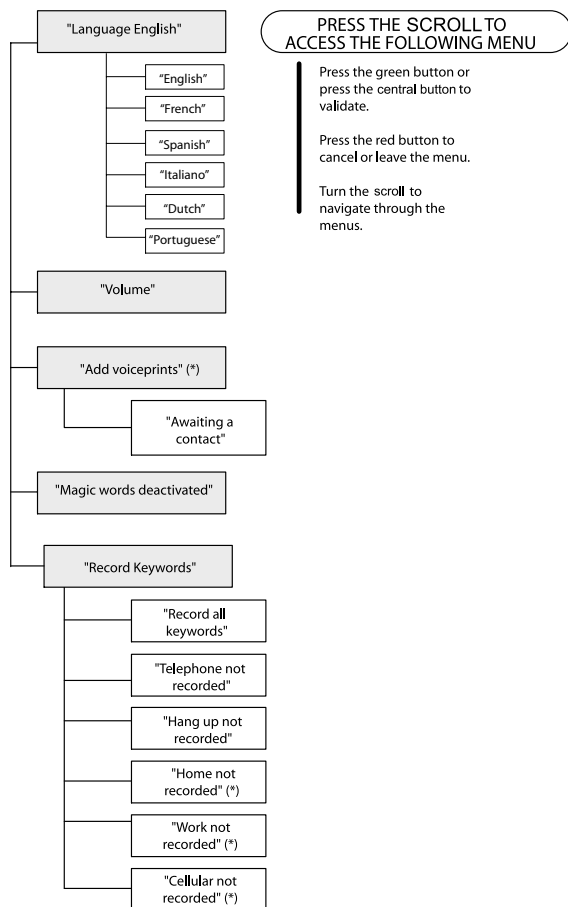
### **Making a call via voice recognition \*:**

- Press the green button or say «PHONE» if the magic words are activated (refer to the chapter entitled «Magic Words»).
- Wait until you hear the beep.
- Say the name of the person that you wish to call. You must have first recorded the voiceprints on your phone or kit (refer to the chapter entitled «Adding Voiceprints»).
- If several numbers are associated with the name, say «Home», «Work» or «Mobile» after the second beep.

### **Discreet mode:**

- During a call, if you wish to switch your call over to your mobile, press the green button. The kit says «DISCREET MODE».
- Press the green button again to switch back to hands-free mode.

*\* This function is only available on certain phones.*



## ACCESSING THE MENUS

### To access the kit's menus:

- Click the central button.
- The kit says «LANGUAGE» and then the name of the current language.
- When you turn the central scroll wheel, the kit says the different menus.
- You can exit the menus by pressing the red button on the keypad or by not pressing anything for more than 15 seconds.

### Changing the Language

- Click the central scroll wheel - the kit says «LANGUAGE» and then the name of the current language.
- If you are happy with the language, you can exit the menu by pressing the red button or go to the next menu by turning the scroll wheel.
- If you wish to change the language, access the menu by clicking the central button or green button.
- When you turn the scroll wheel, the kit announces the languages available (English, Czech, Polish, Russian)
- When you hear the required language, confirm by clicking the central button or green button.
- You will hear a confirmation message.

### Adjusting the Volume

- Click the central button - the kit says «LANGUAGE» and then the name of the language currently used by the kit.
- Turn the scroll wheel until the kit says «VOLUME».
- A beep enables you to determine the current volume level.
- To increase or decrease the volume, access the menu by clicking the central button or green button.

■ Turn the scroll wheel towards the right to increase the volume or towards the left to decrease the volume. When you are happy with the level, confirm by clicking the central button or green button.

■ You will hear a confirmation beep.

### Adding Voiceprints \*

■ Click the central button - the kit says «LANGUAGE» and then the name of the language currently used by the kit.

■ Turn the scroll wheel until the kit says «ADD VOICEPRINTS».

■ Access the menu by clicking the central button or green button.

■ The kit disconnects from the phone and is now ready to receive your contact names.

To send a contact name, refer to your phone's user guide or connect to the [www.parrot.biz](http://www.parrot.biz) website for details on the procedure for your phone.

Connect to our [www.parrot.biz](http://www.parrot.biz) website or go straight to the [http://www.parrot.biz/guide\\_chm/evolution/index.html](http://www.parrot.biz/guide_chm/evolution/index.html)

On the left of the screen, click on the «Bluetooth phones» heading: by choosing the required phone, you can access all the configuration procedures.

As soon as the kit receives a contact, it gives you the instructions to be followed.

*\* This function is only available on certain phones.*

### Magic Words

Magic words are used to accept an incoming call or end a call, as well as activate the voice recognition feature without taking your hands off the wheel.

■ Click the central button - the kit says «LANGUAGE» and then the name of the language currently used by the kit.

■ Turn the scroll wheel until the kit says «MAGIC WORDS» and the current status («ACTIVATED» or «DEACTIVATED»).

■ If you are happy with the status, you can go to the next menu by turning the scroll wheel or exit the menu by clicking the red button.

■ If you wish to change the status, click the central button or green button. The status changes. It changes from «activated» to «deactivated» or vice-versa. The kit announces the new status.

■ If you choose to activate the magic words but have not yet recorded the words «PHONE» and/or «HANG UP», the kit automatically switches to record mode. The kit guides you through the process for recording the magic words.

■ Once the magic words have been successfully recorded, they will be activated.

### Recording Keywords Phone - Hang Up - Home\* - Mobile\* - Work\*

■ Click the central button - the kit says «LANGUAGE» and then the name of the language currently used by the kit.

■ Turn the scroll wheel until the kit says «RECORD KEYWORDS». Confirm by clicking the central button or green button.

■ The kit says «RECORD ALL KEYWORDS».

■ If you do not wish to record all the keywords, turn the scroll wheel to access the required keyword.

*\* These words are only available on certain phones.*

- If one or more keywords have already been recorded, the kit selects the first keyword not to have been recorded.
- Press the central button or green button to start recording. Follow the instructions given by the kit.
- When a keyword has been successfully recorded, the kit automatically moves to the next keyword.
- When all keywords have been recorded correctly, the kit automatically activates them.
- You can exit the menu at any time by pressing the red button and record or re-record the keywords at a later stage.

## SPECIAL MENU ERICSSON & SONY ERICSSON

The Main Menu consists of the following 4 sections: «Phonebook», «Parameters», «Keywords» and «Reset memory». You can access the menu items by selecting the desired menu item using the ↓ key and confirm by pressing «Yes»

In the phone Menu go to «Extras» for T39/T39m/R520m, or «Connect» for T68/T68m/T68i/T606/T608/T610/T616/T618/T630/Z600/Z608.

Press ↓ until «Accessories» and press on «Yes». «Parrot Menu» is displayed, click «Yes»; menu headings are displayed.

### Phonebook

#### To learn and relearn a name :

Highlight the desired name and press «Yes» to confirm.

#### Search :

Allows you to look for a name by its first letter(s). To do this, type a letter and confirm by pressing «Yes».

### Parameters

#### Volume :

This function adjusts the volume of **CK3000 EVOLUTION**. Click Yes and adjust using ◀ or ▶ Press «Yes» to confirm.

#### Auto answer :

This function enables or disables automatic answering of incoming calls. Click «Yes», and then select «Enable» or «Disable».

#### User :

When several telephones are connected to **CK3000 EVOLUTION**, this function identifies the telephone with priority. The phone with the highest priority is the first phone to which the kit tries to connect to. Click Yes, «Main user?» is displayed, confirm.

#### Caller ID :

This function lets you know the identity of the caller. With this function enabled, when you receive a call, the name of the person calling you is pronounced if it is already stored in your phone book and corresponding voice tag is assigned. Click Yes and select «Enable» or «Disable».

#### Multi-Tel :

This function is available for Ericsson and Sony Ericsson phones equipped only with the «Headset» profile. The affected phones are Ericsson R520, T39, T68m and the first Sony Ericsson T68i phones (software version lower than R2E). This option allows the simultaneous use of these different phones during a single session of use.

The first phone getting connected to the **CK3000 EVOLUTION** is the main phone for the use session of the car-kit (until extinction).

---

If the option «Multi-Tel» is activated for this phone, the **CK3000 EVOLUTION** will accept incoming calls from the other phones if they were previously paired with the **CK3000 EVOLUTION**.

**Warning :**

The «Multi-Tel» function is now compatible with the T68i, T610, T616, T618, Z600 and Z608 (with specific software versions). This function is available when the «Powersave» mode is activated in the phone, i.e. «Headset» profile mode.

Once this mode activated, the **CK3000 EVOLUTION** has to identify every phone in this new mode. It should be necessary to connect separately each phone with the **CK3000 EVOLUTION** and restarting it between each identification.

### **Voice recognition**

**N° Phone :**

Keywords for calling V-Cards («Home», «Work» and «Cellular») can be accessed by clicking «Yes», Tel. N°. The voice recognition learning sequence is exactly the same as the one for the names.

**Key words :**

Key words are «Phone» and «Hang Up». You need to record your own key words for use with «Wordspotting» option.

**Wordspotting :**

If activated, enables use of keywords to make a call and to hang up.

- Activated: use keywords or buttons
  - Deactivated: use buttons only
- 

---

**Pers. Dic :**

The key words are pre-recorded in the car kit for French language only (the language is determined by the language used by the menus of the phone). You need to activate this option if you want to use your own recorded keywords.

### **Erasing the memory**

Click «Yes», and «Clear memory?» is displayed. Confirm by pressing «Yes» and «Memory erasing in progress. Please wait!» - is announced. To cancel, press «No». It is possible to erase the memory and reset the system without using the Parrot menu. To do this, hold the red and the green buttons together.

---

# Česky

English

Česky

Polski

Русский

Návod k použití

---

## ÚVODEM

Souprava Car Kit **CK3000 EVOLUTION** Vám umožní používat mobilní telefon v automobilu se zárukou vynikajícího uživatelského pohodlí a nejvyšší možné bezpečnosti.

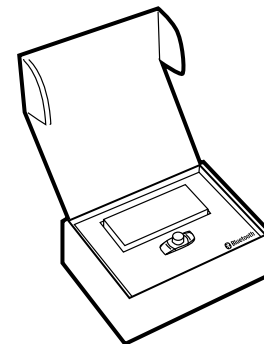
- Ovládání hlasem a hlasová identifikace Vám umožní používat funkce telefonu, aniž byste byli nuceni pustit volant.
- Zvuk je přenášen pomocí reproduktorů a mikrofonu, který je umístěn vedle zpětného zrcátka.

Souprava **CK3000 EVOLUTION** nabízí následující funkce:

- Bezdrátové rádiové spojení s telefonem
- Telefonický hovor v režimu hands free full duplex s potlačným ozvěnového efektu
- Odstranění hluku v pozadí
- Hlasová identifikace (až 150 jmen) \*
- Automatické vypínání autorádia a připojení k reproduktorům ve vozidle během telefonického rozhovoru.
- Propojení až 3 telefonů

## Obsah balení

- Klávesnice
- Napájecí kabel
- Elektronická řídicí jednotka
- Mikrofon
- Kabel funkce „Mute“
- Návod k použití



*\* Tato funkce je k dispozici pouze u některých modelů telefonů.*



## MONTÁŽ

Pokud jste montáž **CK3000 EVOLUTION** svěřili odborníkovi, přejděte přímo k další kapitole, tj. k etapě „Propojení“.

Soupravu **CK3000 EVOLUTION** tvoří elektronická řídicí jednotka, mikrofon, dálkový ovladač se 2 tlačítky a dva elektrické svazky ISO pro připojení autorádia.



### Elektronická řídicí jednotka :

Elektronickou řídicí jednotku nemontujte v blízkosti topení či klimatizace. Jednotku chraňte před přímým působením slunečních paprsků. Jednotku nezavírejte mezi kovové stěny či příčky, které by mohly mít negativní vliv na kvalitu spojení Bluetooth®.



### Mikrofon :

Mikrofon musí směřovat k řidiči a je nejlépe jej nainstalovat mezi protisluneční clonu a vnitřní zpětné zrcátko.



### Klávesnice :

Doporučujeme, abyste klávesnici nainstalovali na snadno přístupném místě, nejlépe na rovné ploše, kterou jste předtím řádně očistili. Připojte klávesnici ke konektoru na kabelu funkce „Mute“, který je určen k tomuto účelu. Zkontrolujte, zda se červená a zelená světelná kontrolka rozsvěcí a zhasíná v závislosti na poloze klíčku startování ve spínací skřínce.



**CAUTION**



### Zapojení kabelu funkce „Mute“ a napájecího kabelu:

Kabel funkce „Mute“ je vybaven konektory ISO černé barvy.  
Napájecí kabel je vybaven konektory ISO šedé barvy.



### Autorádio se zásuvkami ISO:

Odpojte elektrické svazky audio a napájecí kabel autorádia.  
Připojte konektory s vnitřním závitem kabelu „Mute“ a napájecího kabelu k autorádiu.  
Připojte elektrický svazek „Mute“ a napájecí kabel vozidla ke konektorům s vnějším závitem.

Je-li autorádio vybaveno vstupem „Mute“, zapojte žlutý vodič kabelu „Mute“ do některého vstupu „Mute in“ 1, 2 nebo 3. Informaci o umístění vstupu „Mute“ najdete v dokumentaci k autorádiu.

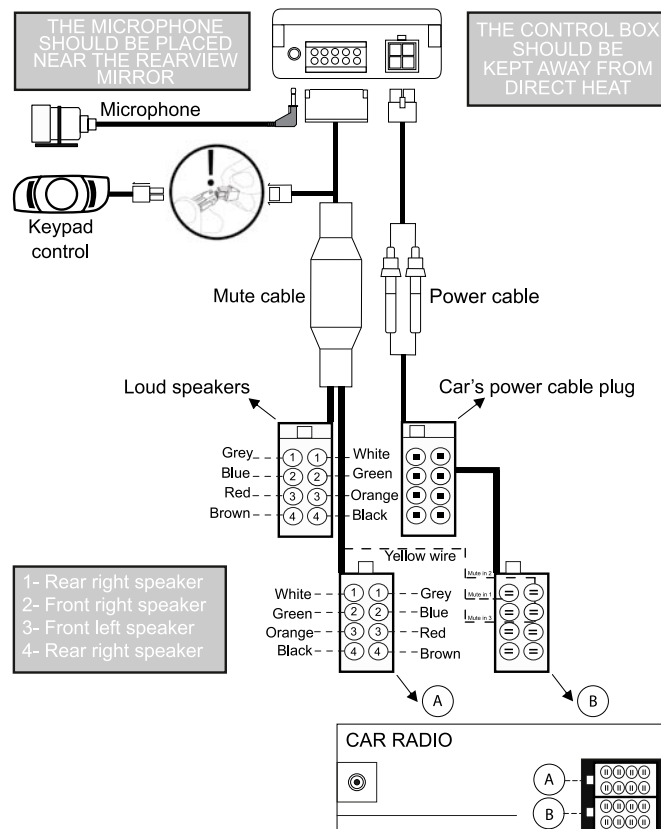
## DŮLEŽITÉ UPOZORNĚNÍ

- Červený vodič napájecího kabelu musí být zapojen ke stálému zdroji napětí 12V, oranžový vodič ke zdroji napětí 12V, který se aktivuje po otočení klíčku ve spínací skřínce, a černý vodič připojte na kostru.
- Zkontrolujte elektrické schéma napájecího kabelu ISO autorádia.
- U některých vozidel je třeba zaměnit umístění červeného a oranžového kabelu. Tato operace se provádí tak, že zaměníte držáky pojistek.
- Oranžový vodič nezapojujte ke stálému zdroji napětí 12V, jinak hrozí nebezpečí vybití baterie vozu.

### Autorádio bez zásuvky ISO :

Můžete použít adaptační elektrický svazek, který je specificky určen pro Vaše vozidlo (není přiložen). Není-li Vaše vozidlo vybaveno konektory ISO a nemáte k dispozici adaptér, zapojte jeden vodič po druhém. Pokud je autorádio vybaveno vstupem „Mute“, provedte zapojení pomocí žlutého vodiče kabelu „Mute“.

## PRVNÍ POUŽITÍ



## PROPOJENÍ

### Choosing the Language When Using for the First Time

Při prvním zapnutí je třeba mobilní telefon propojit se soupravou hands free.

- Na mobilním telefonu aktivujte funkci Bluetooth.
- Proveďte vyhledávání periferních zařízení.

Další informace najdete v návodu k použití Vašeho telefonu v kapitole „Propojení“ nebo na webových stránkách [www.parrot.biz](http://www.parrot.biz)

[http://www.parrot.biz/guide\\_chm/evolution/index.html](http://www.parrot.biz/guide_chm/evolution/index.html)

V levé části displeje klikněte na menu Bluetooth® phones.

Zvolte telefon dle svého přání, čímž získáte přístup ke všem postupům pro nastavení parametrů.

- Po vyhledání se na telefonu zobrazí hlášení „Parrot EVOL“.
- Zvolte tuto funkci.
- Vložte spojovací kód **1234**, jakmile Vás k tomu telefon vyzve, a potvrďte. **CK3000 EVOLUTION** se tak napojí na Váš telefon a zobrazí hlášení „Úspěšné propojení“.

Po stisknutí centrálního ovladače jsou přístupná všechna nabídková menu a jejich název je hlášen pomocí soupravy hands free při otáčení vroubkovaného kolečka. Jste tedy připojen(a) k soupravě hands free a můžete ji začít používat pro komunikaci.

## Volání a přijímání hovorů

### Volání v manuálním režimu :

- Vytočte volané číslo pomocí klávesnice telefonu.
- Hovor se automaticky přepne do režimu hands free. V opačném případě stiskněte zelené tlačítko na soupravě hands free.

### Přijmout hovor:

- Pro přijetí hovoru stiskněte zelené tlačítko na soupravě hands free, nebo vyslovte slovo „TELEFON“ (viz kapitola „Kouzelná slova“).
- Pro odmítnutí hovoru stiskněte červené tlačítko na soupravě hands free, nebo vyslovte slovo „ZAVĚSIT“ (viz kapitola „Kouzelná slova“).

### Zavěsit:

- Pro zavěšení stiskněte červené tlačítko na soupravě hands free, nebo vyslovte slovo „ZAVĚSIT“ (viz kapitola „Kouzelná slova“).

### Hlasová schránka:

Souprava hands free nabízí možnost přístupu k funkcím Vaší hlasové schránky.

- Zavolejte svoji hlasovou schránku.
- When you hear the messages, click the central scroll wheel. The kit says «0».
- Po vyslechnutí hlasových zpráv stiskněte středové vroubkované kolečko. Hands free vysloví „0“.
- Otáčejte

### **Funkce „Opakované vytáčení čísla“\*:**

■ Stiskněte dlouze (dlouhé kliknutí: po dobu delší jak 2 s) zelené tlačítko hands free pro opakované volání posledního vytáčeného čísla. Souprava hlásí „Opakovat“.

### **Nastavení hlasitosti během hovoru:**

■ Během telefonického hovoru nastavíte hlasitost zvuku otáčením středového vroubkovaného kolečka.

### **Předat volání do hlasové identifikace\* :**

■ Stiskněte zelené tlačítko, nebo vyslovte slovo „TELEFON“, jsou-li aktivovaná kouzelná slova (viz kapitola „Kouzelná slova“).

■ Počkejte na zvukový signál.

■ Vyslovte jméno volaného. Pro vytáčení čísla hlasem musíte mít v mobilním telefonu nebo v soupravě hands free předem nahrané hlasové záznamy. (viz kapitola „Přidat hlasové záznamy“)

■ Pokud máte k jedné osobě přiřazeno několik telefonických čísel, vyslovte do druhém zvukovém signálu slovo „Domů“, „Práce“ nebo „Mobil“.

\* Tato funkce je k dispozici pouze u některých modelů telefonů.



\* Tato funkce je k dispozici pouze u některých modelů telefonů.

## PŘÍSTUP DO MENU

### Pro přístup k menu soupravy hands free :

- Stisknete centrální ovladač.
- Souprava vysloví slovo „JAZYK“ a potom název právě používaného jazyka.
- Otáčíte-li středovým vroubkovaným kolečkem, hands free hlásí názvy jednotlivých menu.
- Uživatel ukončí nabídku menu stisknutím červeného tlačítka na klávesnici, nebo není-li klávesnice aktivována po dobu delší jak 15 sekund.

### Změna nastavení jazyka

- Klikněte na středové vroubkované kolečko, hands free ohlásí „JAZYK“ a název právě používaného jazyka.
- Pokud Vám jazyk vyhovuje, můžete menu opustit stisknutím červeného ovladače, nebo otáčením vroubkovaného kolečka přejít k následujícímu menu.
- Chcete-li změnit nastavení jazyka, vstupte do menu stisknutím centrálního ovladače nebo zeleného tlačítka.
- Otáčíte-li vroubkovaným kolečkem, hands free Vám hlásí jazykové verze, které jsou k dispozici (English, Czech, Polish, Russian).
- Jakmile zaslechnete název jazyka, který Vám vyhovuje, potvrďte jazykovou verzi stisknutím centrálního ovladače nebo zeleného tlačítka.
- Jako potvrzení uslyšíte větu: “Vybraný jazyk je ...”.
- You will hear a confirmation message.

## Nastavení hlasitosti

- Klikněte na centrální ovladač, hands free ohlásí slovo „JAZYK“ a jazykovou verzi, kterou právě používá.
- Otáčejte kolečkem, dokud hands free neoznámí „HLASITOST“.
- Zvukový signál Vám umožní určit právě nastavenou hlasitost.
- Pro zesílení nebo zeslabení zvuku otevřete hlavní menu stisknutím centrálního ovladače nebo zeleného tlačítka.
- Otáčejte vroubkovaným kolečkem doprava pro zesílení zvuku nebo doleva pro zeslabení hlasitosti. Jakmile jste zvolili hlasitost, potvrďte volbu rychlým stiskem centrálního ovladače nebo zeleného tlačítka.
- Na znamení potvrzení uslyšíte zvukový signál.

## Přidat hlasové záznamy \*

- Stisknete centrální ovladač, hands free oznámí slovo „JAZYK“ a právě používanou jazykovou verzi.
  - Otáčejte vroubkovaným kolečkem, dokud hands free neoznámí hlášení „PŘIDAT HLASOVÉ ZÁZNAMY“.
  - Vstupte do nabídkového menu stisknutím centrálního ovladače nebo zeleného tlačítka.
  - Hands free se odpojí od telefonu a je nyní připraveno k záznamu nových kontaktů.
- Pro odeslání kontaktu pomocí funkce Bluetooth postupujte podle pokynů, které naleznete v uživatelské příručce k mobilnímu telefonu nebo na webových stránkách [www.parrot.biz](http://www.parrot.biz), abyste věděli, jak postupovat v případě Vašeho telefonu.

Vyhledejte naše webové stránky [www.parrot.biz](http://www.parrot.biz), nebo se připojte přímo k [http://www.parrot.biz/guide\\_chm/evolution/index.html](http://www.parrot.biz/guide_chm/evolution/index.html) V levé části obrazovky klikněte na políčko Bluetooth® phones : Vyberte požadovaný telefon, čímž získáte přístup ke všem postupům nastavení parametrů.

Jakmile se hands free připojí, dá Vám pokyny, jak dále postupovat.

### Kouzelná slova

Kouzelná slova umožňují přijmout příchozí hovor, zavěsit, nebo spustit hlasovou identifikaci, aniž byste museli spouštět ruce z volantu.

- Stiskněte centrální ovladač, hands free Vám nahlásí „JAZYK“ a jazykovou verzi, kterou hands free právě používá.
- Otáčejte vroubkovaným kolečkem, dokud hands free nenahlásí „KOUZELNÁ SLOVA“ a provozní režim „AKTIVOVANÁ“ nebo „DEZAKTIVOVANÁ“.
- Pokud Vám stav vyhovuje, můžete otáčením vroubkovaného kolečka přejít k následujícímu menu, nebo menu opustit stisknutím červeného tlačítka.
- Jestliže Vám nastavený režim nevyhovuje, stiskněte centrální ovladač nebo zelené tlačítko. Provozní režim se změní. Z režimu „AKTIVOVANÁ“ přejde do režimu „DEZAKTIVOVANÁ“ a naopak. Hands free nahlásí nově nastavený režim.
- Pokud se rozhodnete pro aktivaci kouzelných slov, ale ještě jste nenahráli slova „TELEFON“ a/nebo „ZAVĚSIT“, hands free se automaticky přepne do režimu nahrávání. Hands free Vás při nahrávání kouzelných slov navádí.

### Nahrání hesel Telefon - Zavěsit - Domů\* - Mobil\* - Práce\*

- Stiskněte centrální ovladač, hands free ohlásí „JAZYK“ a jazykovou verzi, kterou systém právě používá.
- Otáčejte vroubkovaným kolečkem, dokud systém neohlásí „NAHRÁT HESLA“. Potvrďte stisknutím centrálního ovladače nebo zeleného tlačítka.
- Systém oznámí hlasovou zprávu „NAHREJTE VŠECHNA HESLA“.
- Pokud nechcete nahrát všechna hesla, otočte vroubkovaným kolečkem pro přístup k požadovanému heslu.
- V případě, že již bylo nahráno jedno nebo několik hesel, hands free se nastaví na první nenahrané heslo.
- Stiskněte centrální ovladač nebo zelené tlačítko pro spuštění nahrávání. Nechejte se vést pokyny systému.
- Jakmile je heslo správně nahráno, systém automaticky přejde k následujícímu klíčovému slovu.
- Jakmile jsou všechna hesla správně nahraná, systém je automaticky aktivuje.
- Menu můžete kdykoliv opustit stisknutím červeného tlačítka, k režimu nahrávání nebo ke změně nahraných hesel se můžete kdykoliv vrátit.

### Smazání celé paměti

- Stiskněte současně červené a zelené tlačítko po dobu 3 sekund.

### Horká linka

- Naše horká linka je Vám plně k dispozici. Můžete ji kontaktovat telefonicky nebo emailem. Stálá služba pondělí až pátek od 9,00 do 18,00 hodin (francouzského času).
- Další informace najdete na našich webových stránkách [www.parrot.biz](http://www.parrot.biz).

\* Tato slova jsou k dispozici pouze u některých modelů telefonů.

## SPECIÁLNÍ MENU TELEFONŮ ERICSSON & SONY ERICSON

→ Hlavní menu se skládá z následujících 4 nabídek „Telefonní seznam“, „Parametry“, „Klíčová slova“ a „Mazání paměti“. Klikněte na „Ano“, což vám umožní přístup k nabídkám. Pomocí tlačítka ↓ zvolte požadované „menu a potvrďte stisknutím tlačítka „Yes

Stiskněte, dokud se nedostanete na „Extras“ (platí pro T39 a R520), nebo „Připojit“ (platí pro T68) a „Spojení“ (platí pro T68i/T68m/T608/T610/T616/T618/T630/Z600/Z608).

Stiskněte ↓, dokud se nedostanete na „Příslušenství“ a stiskněte „Yes“. Vyhledejte „Menu Parrot“ a klikněte na „Yes“, zobrazí se následující položky menu: „Telefonní seznam“, „Parametry“, „Hlasová identifikace“, „Mazání paměti“.

### Telefonní seznam

#### Seznam :

Tato funkce zobrazuje seznam jmen uložených ve vašem telefonním seznamu. Před jmény, k nimž existuje hlasový záznam, stojí hvězdička (\*).

Pro vložení nebo přepsání záznamu v seznamu najedte na jméno a potvrďte stisknutím tlačítka „Yes“.

#### Hledání:

umožňuje vyhledání jména podle počátečního písmena. Napište písmeno a potvrďte stisknutím tlačítka „Yes“.

### Parametry

#### Volume :

Tato funkce umožňuje nastavení hlasitosti hands free CK3000 Evolution. Klikněte na „Yes“ a nastavte hlasitost pomocí ◀ nebo ▶ . Pro potvrzení klikněte na „Yes“.

#### Automatické odpovídání:

Tato funkce umožňuje aktivaci nebo deaktivaci automatického přijímání hovoru. Klikněte na „Ano“, a potom zvolte „aktivované“ nebo „dezaktivované“.

#### Uživatel:

Pokud je několik telefonů propojeno pomocí hands free **CK3000 Evolution**, umožňuje tato funkce označení hlavního telefonu. Hlavní telefon je první přístroj, k němuž se souprava hands free pokouší připojit. Klikněte na „Yes“, zobrazí se dotaz „Hlavní uživatel?“, který potvrďte.

#### Caller ID :

Tato funkce umožňuje zjistit totožnost volajícího. Je-li tato funkce aktivovaná, tak během přijetí hovoru zařízení vysloví jméno volajícího, pokud je jméno této osoby uloženo ve vašem telefonním seznamu a pokud jste k ní přiřadili hlasový záznam. Klikněte na „Ano“ a zvolte „aktivovaná“ nebo „dezaktivovaná“.

#### Multi-Tel :

Tato funkce je k dispozici pouze u telefonů, které mají pouze funkci „Sluchátka“. K těmto modelům patří R520, T39, T68m a první T68i (verze softwaru nižší než R2E). Tato opce umožňuje současné používání těchto telefonů v režimu hands free. První telefon, k němuž se **CK3000 Evolution** připojí, se stane až do vypnutí hands free hlavním telefonem. Pokud je pro tento telefon aktivovaná opce „Multi-Tel“, bude **CK3000 Evolution** přijímat všechny příchozí hovory z ostatních telefonů, které byly předtím propojeny pomocí soupravy **CK3000 Evolution**.

### **DŮLEŽITÉ UPOZORNĚNÍ:**

Funkce Multi-Tel je kompatibilní s modely T68i, T608, T610, T616, T618, T630, Z600 a Z608 (se specifickými verzemi softwaru – viz kapitola „Konfigurace telefonu“, strana 122). Tato funkce je k dispozici, pokud je aktivována opce „Úsporný energetický režim“ (opce „Sluchátka“ je aktivovaná – viz. kapitola „Konfigurace telefonu“, strana 12).

Jakmile je tento režim aktivován, **CK3000 Evolution** identifikuje v tomto nově nastaveném režimu jednotlivé telefony. Aby to bylo možné, je třeba připojit každý telefon samostatně k **CK3000 Evolution** a po každém zjištění totožnosti zařízení restartovat.

### **Hlasové ovládání**

#### **Číslo telefonu :**

Klíčová slova pro vytáčení „vizitek“: domů, práce a mobil. Jsou přístupná stisknutím „Yes“, číslo telefonu. Používání je stejné jako u jmen.

#### **Wordspotting:**

Umožňuje používání klíčových slov k telefonování („Telefon“) a ukončení hovoru.

- Opce je aktivovaná při používání klíčových slov nebo tlačítek
- Opce je deaktivovaná, pokud používáte pouze tlačítka

#### **Klíčová slova :**

Menu zná klíčová slova „Telefon“ a „Ukončit hovor“. Tato dvě hesla umožňují přijmout nebo ukončit příchozí telefonát, ukončit probíhající telefonický rozhovor nebo ukončit odchozí volání. Používání těchto funkcí vyžaduje aktivaci opce Wordspotting.

### **Dic. Perso (Osobní slovník):**

Pro francouzskou verzi existují nahrané pokyny pro klíčová slova „Telefon“ a „Zavěsit“. Tyto hlasové pokyny jsou automaticky používány (opce „Osobní slovník“ je deaktivovaná).

Pro zlepšení identifikace těchto klíčových slov doporučujeme, abyste do menu „Klíčová slova“ nahráli vlastní hlasové pokyny, a potom aktivovali opci „Dic. Perso“ (Osobní slovník).

Hlavní menu se skládá ze 4 následujících nabídek:

„Telefonní seznam“, „Parametry“, „Klíčová slova“ a „Mazání paměti“. Kliknutí na „Ano“ umožní přístup k těmto nabídkám. Pomocí tlačítka „ê“ zvolte požadovanou nabídku a potvrďte stisknutím tlačítka „Yes“.

### **Mazání paměti**

Klikněte na „Yes“, zobrazí se dotaz „Chcete vymazat paměť?“. Potvrďte stisknutím tlačítka „Yes“, zařízení vysloví větu „Probíhá mazání paměti, počkejte, prosím“. Pro zrušení volby stiskněte tlačítko „No“.

Mazání paměti je možné i bez použití nabídkového menu Parrot. V takovém případě stiskněte současně dlouhým stiskem červené a zelené tlačítko.

**DŮLEŽITÉ UPOZORNĚNÍ:** Po smazání paměti proveďte znovu propojení telefonů.



---

Polski

English

Česky

**Polski**

Русский

Instrukcja użytkownika

---

## WSTĘP

Zestaw głośnomówiący **CK3000 EVOLUTION** pozwala na używanie telefonu w samochodzie w warunkach optymalnego komfortu i bezpieczeństwa.

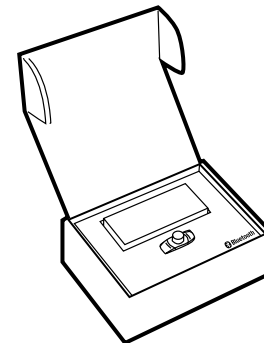
- Dzięki obsłudze głosowej i rozpoznawaniu głosu można korzystać z zestawu nie odrywając się od kierownicy.
- Rozmowa odbywa się przez głośniki pojazdu.

**CK3000 EVOLUTION** posiada następujące funkcje :

- Bezprzewodowe połączenie radiowe z telefonem
- Rozmowa bez używania rąk, połączenie typu full duplex z eliminacją echa
- Redukcja zakłóceń
- Rozpoznawanie głosu (do 150 nazw) \*
- Automatyczne wyłączenie radioodbiornika samochodowego i podłączenie do głośników w samochodzie.
- Możliwość sparowania do 3 telefonów

## Zawartość opakowania

- Klawiatura
- Kabel zasilający
- Jednostka sterująca
- Mikrofon
- Kabel wyciszenia (mute)
- Instrukcja użytkownika



*\* Funkcja dostępna jedynie dla niektórych telefonów.*

## MONTAŻ

Jeżeli Twój **CK3000 EVOLUTION** jest zainstalowany przez fachowca, przejdź od razu do następnego rozdziału, czyli etapu parowania.

**CK3000 EVOLUTION** składa się z jednostki sterującej, mikrofonu, pilota z 2 przyciskami i dwóch wiązek złączy ISO do radioodbiornika samochodowego.



### Jednostka sterująca:

Nie instaluj jej w pobliżu źródła ogrzewania lub wylotu klimatyzacji. Chronь jednostkę sterującą przed bezpośrednim wystawianiem na działanie promieni słonecznych. Unikaj zamykania jednostki sterującej pomiędzy metalowymi ściankami, gdyż spowodowałoby to pogorszenie jakości połączenia Bluetooth®.



### Mikrofon :

Mikrofon musi być skierowany w stronę kierowcy. Najlepiej, żeby był zainstalowany pomiędzy osłoną przeciwsłoneczną i lustrem wewnętrznym.



### Klawiatura :

Radzimy Ci ją zainstalować w łatwo dostępnym miejscu, najlepiej na uprzednio oczyszczonej płaskiej powierzchni. Podłącz klawiaturę do odpowiedniego złącza na kablu mute.

Sprawdź, czy wskaźniki czerwony i zielony zapalają się i gasną w zależności od pozycji klucza kontaktowego.



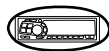
**CAUTION**



### Podłączenie kabla mute i kabla zasilającego :

Kabel mute wyposażony jest w złącza ISO koloru czarnego.

Kabel zasilający wyposażony jest w złącza ISO koloru szarego



### Radioodbiornik z gniazdami ISO :

Odłącz wiązki audio i zasilania radioodbiornika samochodowego.

Podłącz złącza żeńskie kabla mute i kabla zasilającego do radioodbiornika samochodowego. Podłącz wiązki audio i zasilania pojazdu do złączy męskich.

Jeżeli radioodbiornik samochodowy wyposażony jest w wejście Mute, połącz żółty przewód kabla mute z jednym z wejść „Mute in» 1, 2 lub 3. Zapoznaj się z dokumentacją radioodbiornika samochodowego, aby ustalić pozycję wejścia mute.

## UWAGA

- Czerwony przewód kabla zasilającego musi być stale podłączony pod napięciem 12V, przewód pomarańczowy pod napięciem 12V po zapłonie, zaś czarny przewód musi być podłączony do masy.

- Sprawdź schemat elektryczny wiązki zasilania ISO radioodbiornika samochodowego.

- W niektórych pojazdach, konieczna jest zamiana pozycji przewodów czerwonego i pomarańczowego. Operacja ta wykonywana jest w prosty sposób zamieniając miejscami urządzenia na bezpieczniki.

- Nie podłączaj pomarańczowego przewodu pod stałym napięciem 12V, gdyż możesz spowodować wyładowanie akumulatora pojazdu.

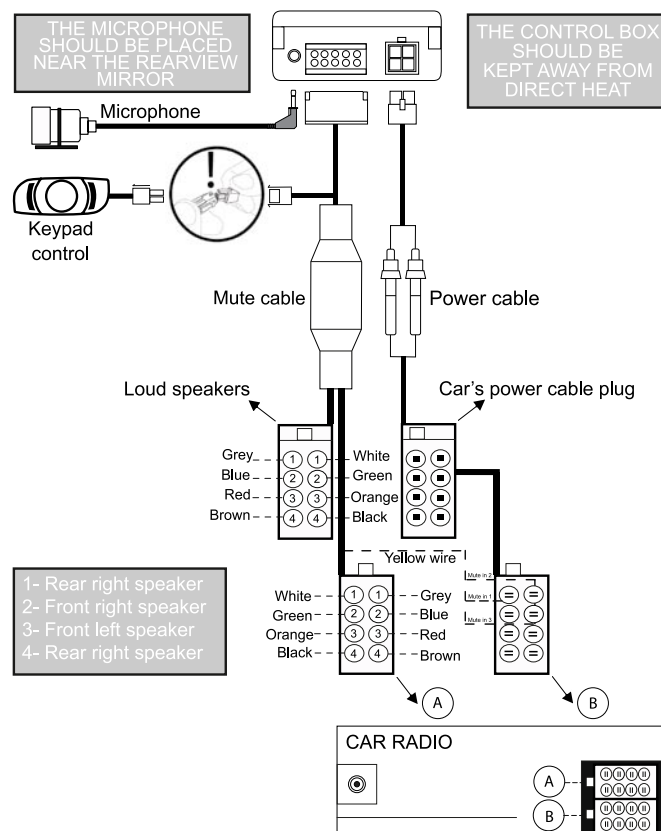
### Radioodbiornik samochodowy bez gniazda ISO :

Możesz zastosować odpowiednią dla Twojego pojazdu wiązkę dopasowującą (nie dostarczona).

Jeżeli nie dysponujesz urządzeniem dopasowującym, wykonaj montaż przewód z przewodem (dotyczy to przypadku, kiedy zespół złączy Twojego pojazdu nie jest ISO).

Jeżeli radioodbiornik samochodowy wyposażony jest w wejście „mute”, wykonaj podłączenie przy pomocy żółtego przewodu kabla mute.

## SCHEMAT OKABLOWANIA



## PIERWSZE UŻYCIĘ

### Wybór języka podczas pierwszego użycia

- Kliknij na środkowy przycisk. Zestaw podaje komunikat „JĘZYK” oraz nazwę aktualnie używanego języka.
- Jeżeli wersja językowa odpowiada Ci, możesz wyjść z menu naciskając na czerwony przycisk lub przejść do następnego menu obracając pokrętle.
- Jeżeli chcesz zmienić język, wejdź do menu klikając na środkowy przycisk lub na zielony przycisk.
- Kiedy obracasz pokrętle, zestaw podaje dostępne wersje językowe (English, Czech, Polish, Russian).
- Po usłyszeniu szukanej przez Ciebie wersji językowej, zatwierdź klikając na środkowy przycisk lub na zielony przycisk.
- Usłyszysz zdanie potwierdzające.

### Ustawianie głośności przy pierwszym użyciu

- Kliknij na środkowy przycisk. Zestaw podaje komunikat „JĘZYK” oraz nazwę aktualnie używanego języka.
- Obracaj pokrętle do podania przez zestaw komunikatu „GŁOŚNOŚĆ”.
- Sygnał poda Ci aktualny poziom głośności.
- Aby zwiększyć lub zmniejszyć głośność, wejdź do menu klikając na środkowy przycisk lub na zielony przycisk.
- Obracaj pokrętle w prawo, aby zwiększyć głośność lub w lewo, aby zmniejszyć głośność. Po dokonaniu wyboru, zatwierdź naciskając szybko na środkowy przycisk lub na zielony przycisk.
- Usłyszysz sygnał zatwierdzający.

## Parowanie

Podczas pierwszego umieszczenia pod napięciem, konieczne jest sparowanie Twojego telefonu z zestawem „bez użycia rąk”.

- Uaktywnij Bluetooth na telefonie komórkowym.
- Znajdź urządzenia peryferyjne.

→ Aby uzyskać więcej informacji, zapoznaj się z rozdziałem „Parowanie” instrukcji Twojego telefonu lub wejdź na stronę internetową [www.parrot.biz](http://www.parrot.biz) lub [www.parrot.biz/guide\\_CHM/evolution/index.html](http://www.parrot.biz/guide_CHM/evolution/index.html). Po lewej stronie wyświetlacza, kliknij na rubrykę **telefony Bluetooth®**. Wybierając szukany telefon, uzyskujesz dostęp do procedur parametryzacji.

- Po wykryciu zestawu, napis «Parrot EVOL» wyświetla się na telefonie.
- Wybierz go.
- Wprowadź kod dostępu **1234**, kiedy telefon poprosi Cię o to, a następnie zatwierdź. **CK3000 EVOLUTION** podłączy się wówczas do telefonu i podaje komunikat „Parowanie zakończyło się sukcesem”.

Wszystkie menu są dostępne, kiedy klikniesz na środkowy przycisk. Kiedy obracasz pokrętle, ich nazwy są komunikowane przez zestaw „bez użycia rąk”. Odtąd, jesteś podłączony do zestawu „bez użycia rąk”. Możesz używać go do połączeń.

## Inicjowanie i odbieranie połączeń

### Ręczna inicjacja połączenia :

- Wybierz numer na klawiaturze telefonu.
- Rozmowa automatycznie przechodzi na tryb „bez użycia rąk”. W przeciwnym razie, naciśnij na zielony przycisk zestawu.

### Odbieranie połączenia :

- Naciśnij na zielony przycisk zestawu „bez użycia rąk” lub powiedz „TELEFON” (patrz rozdział „Magiczne słowa”), aby odebrać połączenie.
- Naciśnij na czerwony przycisk zestawu „bez użycia rąk” lub powiedz „ZAKOŃCZ” (patrz rozdział „Magiczne słowa”), jeżeli nie chcesz odebrać połączenia.

### Zakończenie połączenia :

- Naciśnij na czerwony przycisk zestawu „bez użycia rąk” lub powiedz „ZAKOŃCZ” (patrz rozdział „Magiczne słowa”), aby zakończyć połączenie.

### Poczta głosowa :

Z zestawu „bez użycia rąk” masz dostęp do funkcji poczty głosowej.

- Połącz się z pocztą głosową.
- Kiedy słyszysz wiadomości, naciśnij na środkowe pokrętko. Zestaw podaje komunikat „0”.
- Obracaj pokrętkę do momentu, kiedy usłyszysz szukany numer (1, 2, 3.. )
- Zatwierdź naciskając na pokrętko.

### Funkcja Bis\* :

- Długo naciskaj (długie kliknięcie : więcej niż 2 sekundy) na przycisk zielony zestawu „bez użycia rąk”, aby połączyć się z ostatnio wybranym numerem. Zestaw podaje komunikat „Bis”.

### Głośność w trakcie połączenia :

- W trakcie połączenia, ustawiaj głośność obracając środkowym pokrętkiem.

### Głosowa inicjacja połączenia\* :

- Naciśnij na zielony przycisk lub powiedz „TELEFON”, jeżeli magiczne słowa są aktywne (patrz rozdział „Magiczne słowa”).
- Czekaj na sygnał.
- Powiedz nazwę swojego rozmówcy. Wcześniej musisz zarejestrować próbki głosowe w telefonie lub w zestawie (patrz rozdział „Dodaj próbki głosowe”).
- Jeżeli wiele numerów jest przypisanych do rozmówcy, powiedz „Dom”, „Praca” lub „Telefon komórkowy” po drugim sygnale.

### Tryb dyskretny :

- Jeżeli w trakcie rozmowy chcesz przełączyć swoje połączenie na telefon, naciśnij na zielony przycisk. Zestaw podaje komunikat „TRYB DYSKRETNY”.
- Naciśnij ponownie na zielony przycisk, aby wrócić do trybu „bez użycia rąk”.

*\* Funkcja ta jest dostępna jedynie dla niektórych telefonów.*



\* Funkcja ta jest dostępna jedynie dla niektórych telefonów.

## DOSTĘP DO MENU

### Aby uzyskać dostęp do menu zestawu :

- Kliknij na środkowy przycisk.
- Zestaw podaje komunikat „JĘZYK”, a następnie nazwę aktualnie używanego języka.
- Kiedy obracasz środkowym pokrętkiem, zestaw podaje różne menu.
- Użytkownik wychodzi z menu naciskając na czerwony przycisk klawiatury lub kiedy klawiatura jest nieaktywna przez ponad 15 sekund.

### Zmiana języka

- Kliknij na środkowe pokrętko. Zestaw podaje komunikat „JĘZYK” oraz nazwę aktualnie używanego języka.
- Jeżeli wersja językowa odpowiada Ci, możesz wyjść z menu naciskając na czerwony przycisk lub przejść do następnego menu obracając pokrętkiem.
- Jeżeli chcesz zmienić język, wejdź do menu klikając na środkowy przycisk lub na zielony przycisk.
- Kiedy obracasz pokrętkiem, zestaw podaje dostępne wersje językowe (English, Czech, Polish, Russian).
- Po usłyszeniu szukanej przez Ciebie wersji językowej, zatwierdź klikając na środkowy przycisk lub na zielony przycisk.
- Usłyszysz zdanie zatwierdzające : „Wybrany językiem jest ...”.

### Ustawianie głośności

- Kliknij na środkowy przycisk. Zestaw podaje komunikat „JĘZYK” oraz nazwę aktualnie używanego języka.
- Obracaj pokrętkiem do podania przez zestaw komunikatu „GŁOŚNOŚĆ”.
- Sygnał pozwoli Ci usłyszeć aktualny poziom głośności.
- Aby zwiększyć lub zmniejszyć głośność, wejdź do menu klikając na przycisk środkowy lub na przycisk zielony.

- Obracaj pokrętle w prawo, aby zwiększyć głośność lub w lewo, aby ją zmniejszyć. Po dokonaniu wyboru, zatwierdź szybko naciskając na środkowy przycisk lub na zielony przycisk.
- Usłyszysz sygnał zatwierdzający.

### Dodanie próbek głosowych \*

- Kliknij na środkowy przycisk. Zestaw podaje komunikat „JĘZYK” oraz nazwę aktualnie używanego języka.
  - Obracaj pokrętle do zakomunikowania przez zestaw „DODAJ PRÓBKĘ GŁOSOWĄ”.
  - Wejdź do menu klikając na przycisk środkowy lub na przycisk zielony.
  - Zestaw rozłącza się z telefonem i jest gotowy do przyjmowania kontaktów.
- Aby wysłać kontakt, zapoznaj się z instrukcją użytkownika Twojego telefonu lub wejdź na stronę [www.parrot.biz](http://www.parrot.biz). Dowiesz się tam o działaniach do wykonania, dotyczących Twojego telefonu.

Udaj się na naszą stronę internetową [www.parrot.biz](http://www.parrot.biz) lub bezpośrednio na link [www.parrot.biz/guide\\_CHM/evolution/index.html](http://www.parrot.biz/guide_CHM/evolution/index.html) Po lewej stronie wyświetlacza, kliknij na rubrykę telefony Bluetooth : wybierz szukany telefon i przejdź do wszystkich procedur parametryzacji.

Z chwilą uzyskania kontaktu, zestaw podaje Ci instrukcje do wykonania.

### Magiczne słowa

Magiczne słowa umożliwiają odbiór lub zakończenie połączenia, a także zainicjowanie rozpoznania głosowego bez odrywania się od kierownicy.

\* Funkcja ta jest dostępna jedynie dla niektórych telefonów.

- Kliknij na środkowy przycisk. Zestaw podaje komunikat „JĘZYK” oraz nazwę aktualnie używanego języka.
- Obracaj pokrętle do zakomunikowania przez zestaw „MAGICZNE SŁOWA” oraz stanu użycia „AKTYWNE” lub „ZDEZAKTYWOWANE”.
- Jeżeli stan odpowiada Ci, możesz przejść do następnego menu obracając pokrętle lub wyjść z menu klikając na czerwony przycisk.
- Jeżeli stan nie odpowiada Ci, kliknij na środkowy przycisk lub na zielony przycisk. Stan zmienia się. Przechodzi z „aktywne” na „zdezaktywowane” lub na odwrót. Zestaw komunikuje nowy stan.
- Jeżeli wybierzesz aktywację magicznych słów przed zapisaniem słów „TELEFON” i/lub „ROZŁĄCZYĆ”, zestaw przechodzi na tryb automatycznego zapisywania. Zestaw kieruje Tobą w zapisywaniu magicznych słów.
- Magiczne słowa staną się aktywne po ich prawidłowym zapisaniu.

### Zapisywanie słów kluczowych Telefon - Rozłączyć - Dom\* - Telefon komórkowy\* - Praca\*

- Kliknij na środkowy przycisk. Zestaw podaje komunikat „JĘZYK” oraz nazwę aktualnie używanego języka
- Obracaj pokrętle do podania przez zestaw komunikatu „ZAPISAĆ SŁOWA KLUCZOWE”. Zatwierdź klikając na środkowy przycisk lub na zielony przycisk.
- Zestaw podaje komunikat „ZAPISAĆ WSZYSTKIE SŁOWA KLUCZOWE”.
- Jeżeli nie chcesz zapisać wszystkich słów kluczowych, obracaj pokrętle, aby odnaleźć szukane słowo kluczowe.
- Jeżeli jedno lub wiele słów kluczowych są już zapisane, zestaw ustawia się na pierwszym niezapisanym słowie kluczowym.
- Naciśnij na środkowy przycisk lub na zielony przycisk, aby rozpocząć zapisywanie. Postępuj zgodnie ze wskazówkami zestawu.

\* Słowa te są dostępne jedynie dla niektórych telefonów.



- Kiedy słowo kluczowe jest zapisane, zestaw automatycznie przechodzi do następnego słowa.
- Po prawidłowym zapisaniu wszystkich słów kluczowych, zestaw automatycznie je uaktywni.
- W każdej chwili, możesz wyjść z menu naciskając na czerwony przycisk i zapisać lub ponownie zapisać słowa.

## ERICSSON VE SONY ERICSSON ÖZEL MENÜLERİ

Ana menü 4 bölümden oluşur: «Telefon rehberi», «Parametreler», «Anahtar sözcükler» ve «Belleği Silme tuşuyla menü ↓ içeriklerine ulaşır, dilediğiniz menüyü «EVET (YES)» tuşuyla seçebilirsiniz

T39/T39m/R520m'de, telefonunuzun menüsünden «Ektralar» a ya da T68/T68m/T68i /T606/T608/T610/T616/T618/T630/Z600/Z608'de telefonunuzun menüsünden «Bağlan» a gidin. Aksesuarlar menüsüne ↓ ulaşana dek ⌘ tuşuna basın ve «EVET (YES)» ile onaylayın. «Parrot Menüsü» görünür, «EVET (YES)» deyin; ekranınızda menü başlıkları görünecektir.

### Telefon rehberi

#### Liste:

Telefon rehberinizdeki adların listesini gösterir. Ses etiketi ekli adlarda bir yıldız (\*) işareti vardır.

#### Bir adı öğrenme ve yeniden öğrenme:

İstediğiniz adı seçin ve onaylamak için «EVET (YES)»'e basın.

#### Kayıt bulma:

Bu işlev, rehberinizde kayıtlı bir adı ilk harfleriyle aramanızı sağlar. Bunun için ekranınıza bir harf yazın ve görüntülemek için «EVET (YES)»'e basın.

### Parametreler

#### Ses:

Bu işlev, Parrot EVOLUTION'ın ses düzeyini ayarlamanızı sağlar. «EVET (YES)»'e basın, ← ve → tuşlarına basarak sesi dilediğiniz düzeye getirin. «EVET (YES)»'e basarak onaylayın.

#### Otomatik yanıtlama:

Bu, gelen aramaları otomatik yanıtlama işlevini etkinleştirir ya da iptal eder. «EVET (YES)»'e basın ve ardından «Etkinleştir» i ya da «İptal Et» i seçin.

#### Kullanıcı:

Bu işlev, Parrot EVOLUTION'a birden fazla telefon bağlandığında, telefonların öncelik sırasını belirlemeyi sağlar. Araç kiti, telefonlar arasında ilk önce en yüksek öncelik atanmış olan makineye bağlanmak isteyecektir. «EVET (YES)»'e basın, «Asıl kullanıcı mı?» sorusu görüntülenecektir, onaylayın.

#### Arayan bilgisi:

Bu işlev, arayanın kim olduğunu bilmenizi sağlar. Etkinleştirildiğinde, gelen bir arama olduğu zaman, eğer sizi arayan kişi telefon rehberinizde kayıtlı ve bir ses etiketine sahipse, araç kiti arayan kişinin adını sesli olarak bildirir. «EVET (YES)»'e basın ve «Etkinleştir» i ya da «İptal Et» i seçin.

#### Çoklu-telefon modu:

Bu özellik, yalnızca kulaklık donanımı olan Ericcson ve Sony Ericcson'larda mevcuttur: Ericcson R520, T39, T68m ve ilk Sony Ericcson T68i (yazılım sürümü R2E'den düşük olan). Bu özellik, tek bir oturumda birden çok farklı telefonu kullanıma alır. Parrot EVOLUTION'a ilk bağlanan telefon, o oturumun asıl kullanıcısı olarak yer alır (oturum bitene dek).

Eğer, çoklu-telefon modu bu asıl kullanıcı olarak atanmış telefonda etkinleştirildiyse ve oturma katılan diğer telefonlar önceden Parrot EVOLUTION'la eşlendiyseler, Parrot EVOLUTION diğer telefonlara dışarıdan gelen aramaları da yanıtlayabilecektir.

#### **Dikkat:**

Çoklu-telefon özelliği artık T68i, T610, T616, T618, Z600 ve Z608 (yalnızca belirli yazılım sürümleriyle) modelleriyle uyumludur. Bu özellik, «Kulaklık» modu olan telefonda «Enerji Tasarruf» modunun etkinleştirilmesiyle devreye girer.

Bu mod etkinleştirildiğinde, Parrot EVOLUTION'ın oturma katılan her bir telefon tanınması gereklidir. Bunun için, her bir telefonu ayrı ayrı Parrot EVOLUTION'a bağlamak ve tek tek tanıma gerçekleştikten sonra Parrot EVOLUTION'ı kapatıp yeniden açmak gerekmektedir.

#### **Ses tanıma**

##### **Telefon No.:**

Home\* (Ev) - Work\* (İş) - Mobile\* (Cep) sanal kartvizitlere, «EVET (YES)»e ve ardından «Tel No.» ya basarak erişilebilir. Ses tanıma öğrenme dizgesi adları ile bire-bir aynıdır.

##### **Anahtar Sözcükler:**

Anahtar sözcükler "PHONE" (Telefon) ve "HANG UP" (Kapat)'tır. Ses komutu seçeneğini kullanmak için kendi sesinizle anahtar sözcüklerinizi önceden kaydetmelisiniz.

##### **Ses komutu:**

Etkinleştirildiğinde, bir arama yapmak veya bir görüşmeyi sonlandırmak için anahtar sözcükleri kullanmanızı sağlar.

#### **Etkin: Anahtar sözcükleri veya tuşları kullanın.**

##### **İptal: Tuşları kullanın.**

##### **Kişisel Sözlük:**

Araç kitinizde, önceden kaydedilmiş anahtar sözcükler yalnızca Fransızcadır (etkin olan dil, telefonunuzun kullanmakta olduğu menü dilidir). Eğer kendi sesinizle kaydettiğiniz anahtar sözcükleri kullanmak istiyorsanız, bu seçeneği etkin hale getirmeniz gerekmektedir.

#### **Belleği Silme**

«EVET (YES)»e basın, ekranda «Bellek silinsin mi?» sorusu belirir.

«EVET (YES)»e basarak onaylayın, «Bellek siliniyor. Lütfen bekleyin!» sesini duyacaksınız. Silmeyi iptal etmek için «HAYIR (NO)»a basın.

Parrot menüsünü kullanmadan da belleği silmeniz ve tüm sistemi sıfırlamanız mümkün. Bunun için, kırmızı ve yeşil tuşları aynı anda basılı tutun.

#### **Müşteri Hizmetleri Hattı**

- Müşteri hizmetleri hattımız hizmetinizdedir. Yardım için e-posta veya telefon yoluyla temas kurabilirsiniz.
- Daha fazla bilgi için [www.parrot.biz](http://www.parrot.biz) websitemize bağlanın.

---

# Русский

English

Česky

Polski

**Русский**

Руководство пользователя

---

## ВВЕДЕНИЕ

Автомобильный комплект **СК3000 EVOLUTION** позволяет вам использовать ваш телефон в машине с наибольшим комфортом и наибольшей безопасностью.

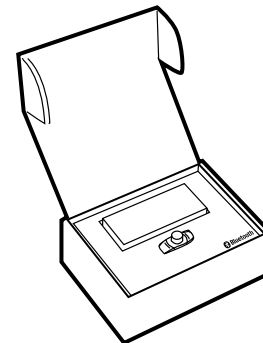
- Голосовые метки и распознавание голоса позволяют пользоваться телефоном, не снимая рук с руля.
- Ваши телефонные разговоры будут транслироваться через динамики вашего автомобиля и микрофон, располагающийся рядом с зеркалом заднего вида.

Комплект **СК3000 EVOLUTION** предоставляет вам следующие возможности:

- Беспроводную связь с вашим телефоном
- Полную двухстороннюю громкоговорящую связь с абонентом с подавлением эхо
- Снижение шумов
- Голосовой набор (до 150 абонентов) \*
- Автоматическое выключение автомобильного приемника и перевод разговора на динамики автомобиля.
- Возможность использования парного соединения, максимум, с 3 телефонами.

## Содержимое упаковки

- Клавиатура
- Кабель питания
- Электронный блок
- Микрофон
- Кабель отключения звука
- Инструкция по эксплуатации



*\*Данная функция доступна только с некоторыми моделями телефонов.*

## МОНТАЖ

Если ваш комплект **СК3000 EVOLUTION** устанавливается профессиональным специалистом, вы можете сразу же перейти к следующему разделу, посвященному связыванию вашего телефона с устройством.

Комплект **СК3000 EVOLUTION** состоит из электронного блока, микрофона, пульта дистанционного управления с 2 кнопками и двух комплектов кабелей для подключения к автомобильному приемнику по стандарту ISO.



### Электронный блок:

Не устанавливайте блок рядом с печкой или кондиционером. Защитите блок от воздействия прямых солнечных лучей. Избегайте устанавливать блок между металлическими перегородками, так как это приведет к ухудшению связи Bluetooth®.



### Микрофон:

Микрофон должен быть направлен к водителю. Его желательно устанавливать между солнцезащитным козырьком и зеркалом заднего вида.



### Клавиатура:

Мы рекомендуем устанавливать клавиатуру в легкодоступном месте, желательно на ровной предварительно очищенной поверхности. Соедините разъем клавиатуры с кабелем отключения звука. Убедитесь, что красный и зеленый индикаторы загораются и погасают в зависимости от положения ключа зажигания.



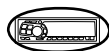
**CAUTION**



### Подключение кабеля отключения звука и кабеля питания:

Кабель отключения звука имеет разъемы стандарта ISO черного цвета.

Кабель питания имеет разъемы стандарта ISO серого цвета.



### Автомобильный приемник с разъемами ISO:

Отсоедините кабели выхода на динамики и кабель питания радиоприемника. Подсоедините разъемы с внутренними контактами кабеля отключения звука и кабеля питания автомобильного приемника. Подсоедините провода динамиков и питания автомобиля к разъемам, вставляемым внутрь.

Если приемник оборудован входом отключения звука, соедините желтый провод кабеля отключения звука с одним из входов «Отключение звука» 1, 2 или 3. Для определения входа отключения звука обратитесь к инструкции автомобильного приемника.

## ВНИМАНИЕ

- Красный провод кабеля питания должен быть постоянно подключен к питанию 12 В, оранжевый провод должен быть подключен к питанию 12 В после замка зажигания и черный провод должен быть подключен к массе.

- Проверьте схему подключения питания стандарта ISO автомобильного приемника.

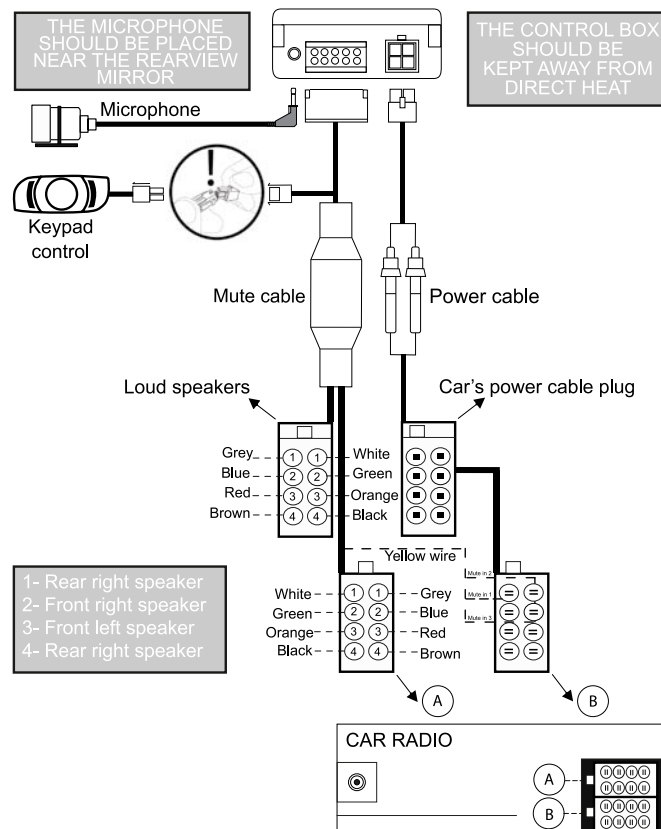
- На некоторых автомобилях необходимо поменять местами положение красного и оранжевого провода. Это действие выполняется простым изменением положения предохранителей.

Не подключайте оранжевый провод к постоянному питанию 12 В, так как это может привести к разрядке аккумулятора автомобиля.

### Автомобильный приемник без разъема ISO:

Вы можете использовать специальный переходной кабель, предназначенный именно для вашего автомобиля (не прилагается). Если система подключения приемника не соответствует стандарту ISO и если у вас нет переходного кабеля, выполните монтаж, соединяя провода по одному. Если радиоприемник оборудован входом «отключения звука», выполните подключение с использованием желтого провода кабеля отключения звука.

## ПЕРВОЕ ИСПОЛЬЗОВАНИЕ



## СВЯЗЫВАНИЕ

Во время первого включения необходимо выполнить связывание вашего телефона с автомобильным комплектом громкоговорящей связи.

- Включите функцию Bluetooth вашего мобильного телефона.
- Выполните поиск периферийных устройств.

Для дополнительной информации обратитесь к разделу «Связывание» инструкции по эксплуатации вашего телефона или зайдите на web-сайт по адресу [www.parrot.biz](http://www.parrot.biz)  
[http://www.parrot.biz/guide\\_chm/evolution/index.html](http://www.parrot.biz/guide_chm/evolution/index.html)  
 В левой части экрана щелкните на разделе, посвященном телефонам с Bluetooth®. Выбрав требуемый телефон, вы перейдете к процедурам настройки параметров Bluetooth®.

- При обнаружении устройства на экране телефона появится имя устройства «Parrot EVOL».
- Выберите его.
- При появлении приглашения введите код соединения **1234** и затем подтвердите его. Комплект **СК3000 EVOLUTION** соединится с вашим телефоном и объявит «успешное соединение».

После этого при нажатии на центральную клавишу вам будут доступны все меню, и их название будет объявляться комплектом беспроводной связи при повороте регулятора. После этого вы будете подключены к устройству беспроводной связи и сможете использовать его для связи.

## Вызов и ответ на вызов

### Набор абонента вручную :

- Наберите номер телефона абонента, используя для этого клавиатуру телефона.
- Разговор будет автоматически переведен в режим громкоговорящей связи. Если этого не произошло, нажмите на зеленую кнопку вашего устройства.

### Ответ на вызов :

- Нажмите на зеленую кнопку устройства громкоговорящей связи или произнесите «ТЕЛЕФОН» (см. раздел «Магические слова») для ответа.
- Нажмите на красную кнопку устройства громкоговорящей связи или произнесите «РАЗЪЕДИНИТЬ» (см. раздел «Магические слова») если вы не хотите отвечать на вызов.

### Разъединение:

- Нажмите на красную кнопку устройства громкоговорящей связи или произнесите «РАЗЪЕДИНИТЬ» (см. раздел «Магические слова») для разъединения.

### Служба сообщений :

С устройства громкоговорящей связи вы можете получить доступ к функциям вашей службы сообщений.

- Наберите номер вашей службы сообщений.
- Когда вы услышите сообщения, нажмите на центральное колесико. Устройство произнесет «0».
- Поворачивайте колесико до тех пор, пока не услышите желаемый номер сообщения (1, 2, 3.. )
- Подтвердите выбор, нажав на колесико.

### **Функция повтора\*:**

■ Продолжительно нажмите (длинное нажатие: более 2 секунд) на зеленую клавишу устройства громкоговорящей связи для повторного набора последнего набранного номера. Устройство произнесет «Повтор».

### **Громкость связи:**

■ Во время разговора отрегулируйте громкость поворотом центрального колесика.

### **Голосовой набор вызываемого абонента\*:**

■ Нажмите на зеленую кнопку или произнесите «ТЕЛЕФОН», если магические слова были активированы (см. раздел «Магические слова»).

■ Дождитесь звукового сигнала.

■ Произнесите имя вызываемого абонента. Предварительно вам необходимо зарегистрировать голосовые метки на вашем телефоне или устройстве громкоговорящей связи. (см. раздел «Добавить голосовые метки»)

■ Если у имени абонента зарегистрировано несколько номеров произнесите «Домашний», «Рабочий» или «Мобильный» после второго звукового сигнала.

### **Дискретный режим:**

■ Если во время разговора вы хотите перевести разговор на телефон, нажмите на зеленую кнопку. Устройство произнесет «ДИСКРЕТНЫЙ РЕЖИМ».

■ Еще раз нажмите на зеленую кнопку для возврата к режиму громкоговорящей связи.

\* Данная функция доступна только на определенных моделях телефонов.



\* Данная функция доступна только на определенных моделях телефонов.



## ДОСТУП К МЕНЮ

### Для доступа к меню устройства громкоговорящей связи:

- Нажмите на центральную кнопку.
- Устройство произнесет «ЯЗЫК» и затем название используемого языка.
- При повороте центрального колесика устройство будет объявлять различные меню.
- Выход из меню осуществляется нажатием на красную кнопку клавиатуры или в случае отсутствия каких-либо действий в течение 15 секунд.

### Изменить язык

- Нажмите на центральное колесико, устройство произнесет «ЯЗЫК», а также название используемого в настоящее время языка.
- Если язык вам подходит, вы можете выйти из меню, нажав на красную кнопку, или перейти к следующему меню, повернув колесико.
- Если вы хотите изменить язык, войдите в меню, нажав на центральную или зеленую кнопку.
- При поворачивании колесика устройство будет объявлять имеющиеся языки (французский, испанский, итальянский, немецкий, голландский, английский).
- Когда вы услышите подходящий вам язык, подтвердите свой выбор, нажав на центральную или зеленую кнопку.
- Вы услышите фразу подтверждения: «Выбранный язык это ...».

### Регулировка громкости

- Нажмите на центральную кнопку, устройство произнесет «ЯЗЫК», а также название используемого в настоящее время языка.
- Поверните колесико таким образом, чтобы устройство произнесло слово «ГРОМКОСТЬ».

- Звуковой сигнал позволит вам узнать текущий уровень громкости.
- Для увеличения или уменьшения громкости войдите в меню, нажав на центральную или зеленую кнопку.
- Поверните колесико вправо для увеличения громкости или влево для ее уменьшения. После выбора подтвердите настройку, быстро нажав на центральную или зеленую кнопку.
- Вы услышите звуковой сигнал подтверждения.

### Добавить голосовые метки \*

- Нажмите на центральную кнопку, устройство произнесет «ЯЗЫК», а также название используемого в настоящее время языка.
  - Поверните колесико таким образом, чтобы устройство произнесло фразу «ДОБАВИТЬ ГОЛОСОВЫЕ МЕТКИ».
  - Войдите в меню, нажав на центральную или зеленую кнопку.
  - Устройство громкой связи отключится от телефона и будет готово к принятию контактов.
- Для отправки контакта через Bluetooth обратитесь к руководству пользователя вашего телефона или зайдите на web-сайт по адресу [www.parrot.biz](http://www.parrot.biz) для того чтобы узнать порядок действий с вашим телефоном.

→ Зайдите на наш web-сайт [www.parrot.biz](http://www.parrot.biz) или следуйте непосредственно по ссылке [http://www.parrot.biz/guide\\_chm/evolution/index.html](http://www.parrot.biz/guide_chm/evolution/index.html) В левой части экрана щелкните на разделе, посвященном телефонам с Bluetooth®: выберите требуемый телефон и перейдите к процедурам настройки параметров Bluetooth®.

После того как контакт будет получен устройством громкоговорящей связи, оно сообщит инструкции, которые необходимо выполнить.

\* Данная функция доступна только на определенных моделях телефонов.

## Магические слова

Магические слова позволяют ответить на вызов или прекратить разговор, а также включить распознавание голоса, не снимая рук с руля автомобиля.

- Нажмите на центральную кнопку, устройство произнесет «ЯЗЫК», а также название используемого в настоящее время языка.

- Поверните колесико так, чтобы устройство произнесло «МАГИЧЕСКИЕ СЛОВА», а также состояние данной функции – «АКТИВИРОВАНЫ» ИЛИ «ОТКЛЮЧЕНЫ».

- Если текущий параметр вам подходит, вы можете перейти к следующему меню, повернув колесико, или выйти из меню, нажав на красную кнопку.

- Если текущий установленный параметр вас не устраивает, нажмите на центральную или зеленую кнопку. Параметр будет изменен. Он перейдет из состояния «активированы» в состояние «отключены» или наоборот. Устройство объявит новый установленный параметр.

- Если вы выберете активацию магических слов, в то время как вы еще не записали слова «ТЕЛЕФОН» и/или «Разъединить», устройство автоматически перейдет в режим записи. Устройство сообщит вам инструкции относительно записи магических слов. Once the magic - После правильной записи магических слов они будут активированы.

### Записать ключевые слова Телефон - Разъединить - Домашний\* - Мобильный\*

- Нажмите на центральную кнопку, устройство произнесет «ЯЗЫК», а также название используемого в настоящее время языка.

- Поверните колесико таким образом, чтобы устройство произнесло фразу «ЗАПИСАТЬ КЛЮЧЕВЫЕ СЛОВА». Подтвердите выбор, нажав на центральную или зеленую кнопку.

\* Данные слова доступны только на определенных моделях телефонов.

- Устройство произнесет «ЗАПИСАТЬ ВСЕ КЛЮЧЕВЫЕ СЛОВА».

- Если вы не хотите записывать ключевые слова, поверните колесико, чтобы получить доступ к записи желаемого ключевого слова.

- В случае если одно или несколько ключевых слов уже было записано, устройство установится на первое незаписанное ключевое слово.

- Для начала записи нажмите на центральную или зеленую кнопку. Следуйте инструкциям, сообщаемым устройством.

- Когда ключевое слово будет правильно записано, устройство автоматически перейдет к следующему.

- В случае правильной записи всех ключевых слов устройство автоматически активирует их.

- Вы можете в любой момент выйти из меню, нажав для этого на красную кнопку, и вернуться для записи или повторной записи ключевых слов в любое удобное для вас время.

## Стирание всей памяти устройства

- Одновременно нажмите на красную и зеленую кнопки и держите их нажатыми 3 секунды.

## Горячая линия

- Наша «горячая линия» всегда в вашем распоряжении. Вы можете написать нам письмо или позвонить по телефону. Наша «горячая линия» работает с понедельника по пятницу с 9.00 до 18.00 (французское время).

- Для получения дополнительной информации зайдите на наш web-сайт по адресу [www.parrot.biz](http://www.parrot.biz).

## СПЕЦИАЛЬНОЕ МЕНЮ ТЕЛЕФОНОВ ERICSSON И SONY ERICSSON

→ Главное Меню состоит из следующих 4 рубрик: Адресная книга, Параметры, Ключевые слова и Стирание памяти. Нажатие на клавишу «Да» позволяет войти в эти рубрики. Выберите желаемую рубрику, используя клавишу ↓, и подтвердите «нажатием на клавишу «Да».

Нажимайте на до «Extras» для моделей T39 и R520, или «Connecter» для модели T68 и «Connexions» для моделей T68i/T68m/T608/T610/T616/T618/T630/Z600 / Z608.

Нажимайте на ↓ до «Accessoires» и нажмите клавишу «Да». Остановитесь на «Menu Parrot» и нажмите клавишу «Да»; появятся рубрики меню: Адресная книга, Параметры, Reco Vocale, Стирание Памяти.

### Адресная книга

#### Список :

появляется список имен вашей адресной книги. Перед именами, которым присвоено голосовое произнесение, стоит звездочка (\*).

Чтобы узнать или повторно узнать имя, остановитесь на нём и подтвердите нажатием на клавишу «Да».

#### Поиск :

позволяет разыскать имя по начальным буквам; для этого, наберите букву и подтвердите нажатием на клавишу «Да».

### Параметры

#### Громкость :

функция служит для того, чтобы регулировать громкость **СК3000 Evolution**. Нажмите на клавишу «Да» и отрегулируйте громкость с помощью ◀ или ▶. Нажмите на клавишу «Да» для подтверждения.

#### Автоматический ответ :

эта функция позволяет активировать или деактивировать функцию автоматического снятия трубки. Нажмите на клавишу «Да», затем выберите между «активирован» и «деактивирован».

#### Пользователь :

когда несколько телефонов соединены с **СК3000 Evolution**, эта функция позволяет назначить первостепенный телефон. Первостепенный телефон – это первый телефон, с которым гарнитура попытается связаться. Нажмите на клавишу «Да», появится «главный пользователь?», подтвердите.

#### Caller ID :

эта функция позволяет определить личность звонящего. Когда эта функция активирована, во время принятия звонка имя вашего собеседника произносится, если оно включено в вашу адресную книгу, и если вы ему присвоили голосовое произнесение. Нажмите на клавишу «Да» и выберите между «активирован» и «деактивирован».

#### Multi-Tel :

эта функция доступна лишь для телефонов, снабженных только профилем «Casque». Такими телефонами являются модели R520, T39, T68m и первые модели T68i (версия программного обеспечения ниже, чем у модели R2E). Эта опция позволяет синхронное использование этих телефонов во время одного сеанса использования гарнитуры.

---

Первый телефон, с которым связывается **СК3000 Evolution**, оказывается главным телефоном для сеанса использования гарнитуры (до выключения). Если опция «Multi-Tel» активирована для этого телефона, **СК3000 Evolution** будет принимать входящие звонки с других телефонов, которые предварительно были соединены с **СК3000 Evolution**.

#### **ВНИМАНИЕ:**

функция «Multi-Tel» отныне совместима с моделями T68i, T608, T610, T616, T618, T630, Z600 и Z608 (со специальными версиями программного обеспечения – см. рубрику «Конфигурация телефона», страница 122). Данная функция доступна, когда активирован режим «Экономия энергии» (активирован профиль «Casque» - см. рубрику «Конфигурация телефона», страница 12). Как только этот режим активирован, **СК3000 Evolution** должен идентифицировать каждый из телефонов в этом новом режиме. Для этого необходимо отдельно соединить каждый из телефонов с **СК3000 Evolution**, вновь запуская его после каждой идентификации.

#### **Голосовое распознавание**

##### **Номер телефона :**

ключевые слова, предназначенные для вызова «визитных карточек»: домашний номер, рабочий номер и номер мобильного телефона. Они доступны при нажатии на клавишу «Да», № Телефона. Последовательность узнавания такая же, как и последовательность для имен.

##### **Wordspotting :**

опция, которая позволяет использование ключевых слов для того, чтобы пропустить вызов (Телефон) и повесить трубку.

- Активизирована при использовании ключевых слов или кнопок
- Деактивирована только при использовании кнопок.

---

##### **Ключевые слова:**

меню ключевых слов «Телефон» и «Повесить трубку». Эти два ключевых слова позволяют принять вызов или отклонить входящий звонок, отклонить текущий вызов или остановить исходящий звонок. Их использование требует активации опции Wordspotting.

##### **Pers. Dic :**

для французского языка, предварительно записанные произнесения существуют для ключевых слов «Телефон» и «Повесить трубку». Эти произнесения используются по умолчанию (опция « Dic. Perso » деактивирована). Для того чтобы облегчить распознавание этих ключевых слов, желательно сохранить ваши собственные произнесения в меню «Ключевые Слова», затем активизировать опцию «Dic. Perso» (Персональный Словарь). Главное Меню состоит из следующих 4 рубрик: Адресная книга, Параметры, Ключевые слова и Стирание памяти. Нажатие на клавишу «Да» позволяет войти в эти рубрики. Выберите желаемую рубрику, используя клавишу и подтвердите нажатием на клавишу «Да».

#### **Стирание Памяти**

Нажать на клавишу «Да», и появится «стереть память?»; После подтверждения нажатием на клавишу «Да» произносится «идет стирание памяти, подождите, пожалуйста». Чтобы отменить, нажмите на клавишу «Нет». Вы можете стирать память, не используя меню «Parrot». Для этого, одновременно нажмите на красную и зеленую кнопки и удерживайте их нажатыми.

note :

note :

note :

note :

**[www.parrot.biz](http://www.parrot.biz)**

**[www.parrot.biz](http://www.parrot.biz)**

ZONE D



PI030154AA

Parrot S.A. - 174, quai de Jemmapes - 75010 Paris - France  
Fax +33 1 48 03 06 66 / Phone +33 1 48 03 60 60  
<http://www.parrot.biz>