

**SIEMENS**



Fridge-freezer

Холодильно-морозильная комбинация  
KG..N..

[siemens-home.bsh-group.com/welcome](http://siemens-home.bsh-group.com/welcome)

en Instruction for Use  
ru Инструкция по эксплуатации

Register  
your  
product  
online

---

## en Table of Contents

Safety and warning information .....	3	Freezer compartment .....	16
Information concerning disposal .....	6	Max. freezing capacity .....	16
Scope of delivery .....	7	Freezing and storing food .....	16
Installation location .....	7	Freezing fresh food .....	17
Observe ambient temperature and ventilation .....	7	Super freezing .....	18
Connecting the appliance .....	8	Thawing frozen food .....	18
Getting to know your appliance .....	9	Interior fittings .....	18
Switching on the appliance .....	10	Switching off and disconnecting the appliance .....	19
Setting the temperature .....	11	Cleaning the appliance .....	20
Special functions .....	11	Light (LED) .....	20
Alarm function .....	12	Tips for saving energy .....	21
Usable capacity .....	13	Operating noises .....	21
Refrigerator compartment .....	13	Eliminating minor faults yourself .....	22
Super cooling .....	14	Appliance self-test .....	24
The hyperFresh compartment .....	15	Customer service .....	24

---

## ru Содержание

Указания по безопасности и предупреждения .....	25	замораживания .....	40
Указания по утилизации .....	29	Замораживание и хранение продуктов .....	41
Объем поставки .....	29	Замораживание свежих продуктов питания .....	41
Место установки .....	30	Суперзамораживание .....	43
Температура окружающей среды и вентиляция .....	30	Размораживание продуктов .....	43
Подключение бытового прибора ...	31	Специальное оснащение .....	44
Знакомство с бытовым прибором .....	32	Выключение прибора и вывод его из эксплуатации .....	45
Включение прибора .....	33	Чистка прибора .....	45
Установка температуры .....	34	Освещение (на светодиодах) .....	46
Специальные функции .....	34	Как сэкономить электроэнергию .....	46
Предупредительная функция .....	36	Рабочие шумы .....	47
Полезный объем .....	37	Самостоятельное устранение мелких неисправностей .....	48
Холодильное отделение .....	37	Самопроверка прибора .....	50
Суперохлаждение .....	38	Сервисная служба .....	50
Отделение hyperFresh .....	39		
Морозильное отделение .....	40		
Макс. производительность			

---

## Safety and warning information

### Before you switch ON the appliance

Please read the operating and installation instructions carefully! They contain important information on how to install, use and maintain the appliance. The manufacturer is not liable if you fail to comply with the instructions and warnings. Retain all documents for subsequent use or for the next owner.

### Technical safety

The tubes of the refrigeration circuit convey a small quantity of an environmentally friendly but flammable refrigerant (R600a). It does not damage the ozone layer and does not increase the greenhouse effect. If refrigerant escapes, it may injure your eyes or ignite.

### If damage has occurred

- Keep naked flames and/or ignition sources away from the appliance,
- thoroughly ventilate the room for several minutes,
- switch off the appliance and pull out the mains plug,
- inform customer service.

The more refrigerant an appliance contains, the larger the room must be in which the appliance is situated. Leaking refrigerant can form a flammable gas-air mixture in rooms which are too small. The room must be at least 1 m<sup>3</sup> per 8 g of refrigerant. The amount of refrigerant in your appliance is indicated on the rating plate inside the appliance.

If the power cord of this appliance is damaged, it must be replaced by the manufacturer, customer service or a similarly qualified person. Improper installations and repairs may put the user at considerable risk.

## en

Repairs may be performed by the manufacturer, customer service or a similarly qualified person only.

Only original parts supplied by the manufacturer may be used. The manufacturer guarantees that only these parts satisfy the safety requirements.

Do not use multiple sockets, extension leads or adapters.

### **Important information when using the appliance**

- Never use electrical appliances inside the appliance (e.g. heater, electric ice maker, etc.). Explosion hazard!
- Never defrost or clean the appliance with a steam cleaner! The steam may penetrate electrical parts and cause a short-circuit. Risk of electric shock!
- Do not use pointed or sharp-edged implements to remove frost or layers of ice. You could damage the refrigerant tubes. Leaking refrigerant may cause eye injuries or ignite.
- Do not store products which contain flammable propellants (e.g. spray cans) or explosive substances in the appliance. Explosion hazard!
- Do not stand on or lean heavily against base of appliance, drawers or doors, etc
- For defrosting and cleaning, pull the mains plug out or switch off the fuse. Do not pull out the mains plug by tugging on the power cord.
- Store high-percentage alcohol tightly closed and standing up.
- Keep plastic parts and the door seal free of oil and grease. Otherwise, parts and door seal will become porous.
- Never cover or block the ventilation openings of the appliance!

### ■ **Avoiding placing children and vulnerable people at risk:**

At risk are children, people who have limited physical, mental or sensory abilities, as well as people who have inadequate knowledge concerning safe operation of the appliance.

Ensure that children and vulnerable people have understood the hazards.

A person responsible for safety must supervise or instruct children and vulnerable people who are using the appliance.

Only children from 8 years and above may use the appliance.

Supervise children who are cleaning and maintaining the appliance.

Never allow children to play with the appliance.

- Do not store bottled or canned drinks (especially carbonated drinks) in the freezer compartment. Bottles and cans may burst!

- Never put frozen food straight from the freezer compartment into your mouth.  
Risk of low-temperature burns!
- Avoid prolonged touching of frozen food, ice or the evaporator pipes, etc.  
Risk of low-temperature burns!

### **Children in the household**

- Keep children away from packaging and its parts.  
Danger of suffocation from folding cartons and plastic film!
- Do not allow children to play with the appliance!
- If the appliance features a lock:  
keep the key out of the reach of children!

## General regulations

The appliance is suitable

- for refrigerating and freezing food,
- for making ice.

This appliance is intended for use in the home and the home environment.

The appliance is suppressed according to EU Directive 2004/108/EC.

The refrigeration circuit has been checked for leaks.

This product complies with the relevant safety regulations for electrical appliances (EN 60335-2-24).

This appliance is intended for use up to a maximum height of 2000 metres above sea level.

---

## Information concerning disposal

### Disposal of packaging

The packaging protects your appliance from damage during transit. All utilised materials are environmentally safe and recyclable. Please help us by disposing of the packaging in an environmentally friendly manner.

Please ask your dealer or inquire at your local authority about current means of disposal.

### Disposal of your old appliance

Old appliances are not worthless rubbish! Valuable raw materials can be reclaimed by recycling old appliances.



This appliance is labelled in accordance with European Directive 2012/19/EU concerning used electrical and electronic appliances (waste electrical and electronic equipment - WEEE). The guideline determines the framework for the return and recycling of used appliances as applicable throughout the EU.



### Warning

Redundant appliances

1. Pull out the mains plug.
2. Cut off the power cord and discard with the mains plug.
3. Do not take out the trays and receptacles: children are therefore prevented from climbing in!
4. Do not allow children to play with the appliance once it has spent its useful life. Danger of suffocation!

Refrigerators contain refrigerant and gases in the insulation. Refrigerant and gases must be disposed of professionally. Ensure that tubing of the refrigerant circuit is not damaged prior to proper disposal.

## Scope of delivery

After unpacking all parts, check for any damage in transit.

If you have any complaints, please contact the dealer from whom you purchased the appliance or our customer service.

The delivery consists of the following parts:

- Free-standing appliance
- Interior fittings (depending on model)
- Bag containing installation materials
- Operating instructions
- Installation manual
- Customer service booklet
- Warranty enclosure
- Information on the energy consumption and noises

## Installation location

A dry, well ventilated room is suitable as an installation location. The installation location should not be exposed to direct sunlight and not placed near a heat source, e.g. a cooker, radiator, etc. If installation next to a heat source is unavoidable, use a suitable insulating plate or observe the following minimum distances from the heat source:

- 3 cm to electric or gas cookers.
- 30 cm to an oil or coal-fired cooker.

The floor of the installation location must not give way; if required, reinforce floor. If the floor is uneven, compensate with supports.

## Distance from wall

When installing the appliance, ensure that the door can be opened by 90°.

## Observe ambient temperature and ventilation

### Ambient temperature

The appliance is designed for a specific climate class. Depending on the climate class, the appliance can be operated at the following temperatures.

The climate class can be found on the rating plate. Fig. 12

Climate class	Permitted ambient temperature
SN	+10 °C to 32 °C
N	+16 °C to 32 °C
ST	+16 °C to 38 °C
T	+16 °C to 43 °C

### Note

The appliance is fully functional within the room temperature limits of the indicated climatic class. If an appliance of climatic class SN is operated at colder room temperatures, the appliance will not be damaged up to a temperature of +5 °C.

## Ventilation

Fig. 2

The air on the rear panel and on the side panels of the appliance heats up. Conduction of the heated air must not be obstructed. Otherwise, the refrigerating unit must work harder. This increases power consumption. Therefore: Never cover or block the ventilation openings!

---

## Connecting the appliance

After installing the appliance, wait at least 1 hour until the appliance is switched on. During transportation the oil in the compressor may have flowed into the refrigeration system.

Before switching on the appliance for the first time, clean the interior of the appliance (see chapter “Cleaning the appliance”).

### Electrical connection

The socket must be near the appliance and also freely accessible following installation of the appliance.

### Warning

Risk of electric shock

If the length of the mains cable is inadequate, never use multiple sockets or extension leads. Instead, please contact Customer Service for alternatives.

The appliance complies with protection class I. Connect the appliance to 220–240 V/50 Hz alternating current via a correctly installed socket with protective conductor. The socket must be protected by a 10 A to 16 A fuse.

For appliances operated in non-European countries, check whether the indicated voltage and current type match the values of your electricity supply. This information can be found on the rating plate, Fig. 12.

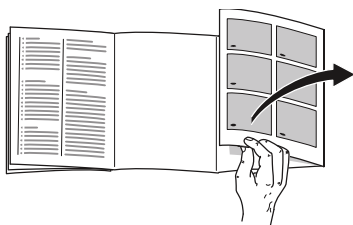
### Warning

Never connect the appliance to electronic energy saver plugs.

Our appliances can be used with mains and sine-controlled inverters. Mains-controlled inverters are used for photovoltaic systems which are connected directly to the national grid. Sine-controlled inverters must be used for isolated applications (e.g. on ships or in mountain lodges) which are not connected directly to the national grid.



# Getting to know your appliance



Please fold out the illustrated last page. These operating instructions refer to several models.

The features of the models may vary.

The diagrams may differ.

Fig. **1**

\* Not all models.

- A Refrigerator compartment
- B hyperFresh compartment
- C Freezer compartment

- 1–13 Controls
- 14\* Butter and cheese compartment
- 15 Shelf for small bottles
- 16 Shelf for large bottles
- 17 Light (LED)
- 18\* Bottle shelf
- 19\* Breakfast set
- 20 Partition with humidity controller
- 21 Vegetable container
- 22 "Cool-fresh" container
- 23\* Frozen food container

## Controls

Fig. **4**

- 1 **Temperature display refrigerator compartment**  
The numbers correspond to the set refrigerator compartment temperatures in °C.
- 2 **Display alarm**  
This lights up if the fridge compartment becomes too warm.
- 3 **Display super cooling**  
This lights up if super cooling is in operation.
- 4 **Temperature display hyperFresh**  
Indicates the set temperature of the hyperFresh compartment.
- 5 **Display alarm**  
This lights up if the freezer compartment is too warm.
- 6 **Temperature display freezer compartment**  
The numbers correspond to the set freezer compartment temperatures in °C.
- 7 **Display super freezing**  
This lights up if super freezing is in operation.
- 8 **Eco mode indicator**  
This lights up when the eco mode is switched on.
- 9 **Button lock/alarm off**  
This button is used to
  - switch off the audible warning signal (see section "Alarm function")
  - Switch the button lock on and off.

## 10 **compartment button to select a section**

Used to select a section. This is necessary to change its temperature or to switch on certain special functions.

## 11 **Setting buttons +/-**

The buttons are used to set the temperatures of the refrigerator and freezer compartment.

## 12 **“timer” button**

You can use this function to set a period of time and be reminded by an acoustic signal. See chapter entitled “Special functions”.

## 13 **Display vacation mode**

This lights up when the vacation mode is switched on.

---

## Switching on the appliance

1. First insert the plug into the connection on the back of the appliance. Check that the plug has been inserted all the way.
2. Then insert the other end of the cable into the socket.

The appliance is now switched on and a warning signal sounds.

Press the lock/alarm off button to switch off the audible warning signal.

The alarm display goes out when the appliance has reached the set temperature.

The preset temperatures are reached after several hours. Do not put any food in the appliance beforehand.

The factory has recommended the following temperatures:

- freezer compartment: -18°C
- hyperFresh compartment: 0 °C to 2 °C
- cooling compartment: +4°C

## Operating tips

- After the appliance has been switched on, it may take several hours until the set temperatures have been reached.
- The fully automatic NoFrost system ensures that the freezer section remains free of ice. Defrosting is no longer required.
- If the door cannot be immediately re-opened after it has been closed, wait until the resulting low pressure has equalised.
- The front and side panels of the housing are partly heated slightly. This prevents condensation from forming.

## Setting the temperature

Fig. 4

### Refrigerator compartment

The temperature can be set from +2 °C to +8 °C.

1. Press selection button 10 until refrigerator compartment display 1 is activated.
2. Keep pressing +/- buttons 11 until the required temperature is indicated.

Perishable food should not be stored above +4 °C.

### hyperFresh compartment

The temperature can be set from -1 °C to 3 °C.

1. Press selection button 10 until hyperFresh 4 display is activated.
2. Keep pressing +/- buttons until the required temperature is indicated.

### Freezer compartment

The temperature can be set from -16 °C to -24 °C.

1. Select the freezer compartment using the compartment button.
2. Keep pressing the +/- buttons until the required temperature is indicated.

## Special functions

Fig. 4

### Eco mode

The eco mode switches the appliance to energy-saving operation.

#### Switching on:

Press the eco button.

The appliance automatically sets the following temperatures:

- cooling compartment: +8 °C
- hyperFresh compartment: +3 °C
- freezer compartment: -16 °C

#### Switching off:

Press the eco button.

### Button lock function

To switch the button lock on and off, press the lock/alarm off button for 5 seconds.

When the function is switched on, the lock display lights up.

The control panel is now protected against unintentional operation.

#### Exception to the button lock:

The lock/alarm off button can be pressed to switch off the button lock or if an audible warning signal sounds.

en

## timer

You can use this function to set a period of time of 1–99 minutes. A signal reminds you, e.g. when food is to be taken out of the compartment after a certain time.

A value of 20 minutes has been preset at the factory.

### Caution

Drinks bottles may crack if they are stored for longer than 20 minutes in the freezer compartment.

### Switching on the function

1. Press “timer” button 12.
2. Using the +/- buttons, set the required time.

### Switching off the function

Press the “timer” button 12 twice within 3 seconds.

## Holiday mode

If leaving the appliance for a long period of time, you can switch the appliance over to the energy-saving holiday mode.

The temperature of the refrigerator compartment is automatically switched to +14 °C.

Do not store any food in the refrigerator compartment during this time.

### Switching on:

Press the vacation mode button.

The appliance automatically sets the following temperatures:

- Refrigerator section: +14°C
- hyperFresh compartment: +14°C
- Freezer section: -16°C

### Note

"-" appears in the hyperFresh display.

### Switching off:

Press the vacation mode button.

---

## Alarm function

In the following cases an alarm may be actuated.

### Door alarm

The door alarm (continuous signal) switches on if the appliance is left open for too long and alarm appears 1 in the refrigerator section temperature display. Close the appliance to switch the door alarm off again.

### Temperature alarm

An interval tone sounds, alarm appears on the temperature display of the freezer compartment 6.

The temperature alarm switches on if the freezer compartment is too warm and the frozen food is at risk of thawing.

The alarm may switch on without any risk to the frozen food in the following instances:

- when switching on the appliance for initial use.
- when large quantities of fresh food are placed in the appliance.

**Note**

Do not refreeze thawing or thawed food. Only ready meals (boiled or fried) may be refrozen.

No longer store the frozen produce for the max. storage period.

The temperature display indicates for 5 seconds the warmest temperature which was reached in the freezer compartment. Then the set temperature is displayed again.

**Switching off the alarm**

Press the lock/alarm off button to switch off the audible warning signal.

**Usable capacity**

Information on the usable capacity can be found inside your appliance on the rating plate. Fig. 12

**Fully utilising the freezer volume**

To place the maximum amount of frozen food in the freezer compartment, you can remove the containers. You can then stack the food directly on the shelf and on the floor of the freezer compartment.

**Note**

Avoid contact between food and rear panel. Otherwise the air circulation will be impaired.

Food or packaging could freeze to the rear panel.

**Removing the fittings**

Pull out the frozen food container all the way, lift at the front and remove. Fig. 9

**Refrigerator compartment**

The refrigerator compartment is the ideal storage location for meat, sausage, fish, dairy products, eggs, ready meals and pastries.

**Storing food**

- Store fresh, undamaged food. The quality and freshness will then be retained for longer.
- In the case of ready-made products and bottled goods, observe the best-before date or use-by date specified by the manufacturer.
- To retain aroma, colour and freshness, pack or cover food well before placing in the appliance. This will prevent the transfer of flavours and the discolouration of plastic parts in the refrigerator compartment.
- Allow warm food and drinks to cool down before placing in the appliance.

**Note**

Do not block air outlet openings with food, otherwise the air circulation will be impaired. Food which is stored directly in front of the air outlet openings may be frozen by the cold air flowing out.

## Note the chill zones in the refrigerator compartment

The air circulation in the refrigerator compartment creates different chill zones:

- The coldest zones are in front of the air outlet openings and in the chill compartment, Fig. **1**/22.

### Note

Store perishable food (e.g. fish, sausage, meat) in the coldest zones.

- Warmest zone is at the very top of the door.

### Note

Store e.g. hard cheese and butter in the warmest zone. The aroma of hard cheese can then continue to develop and butter remains spreadable.

---

## Super cooling

Super cooling sets the refrigerator temperature to the coldest temperature setting for approx. 6 hours. Then the appliance automatically switches to the temperature set prior to super cooling mode.

Switch on super cooling mode, e.g.

- before placing large quantities of food in the refrigerator compartment.
- for the fast cooling of drinks.

## Switching on and off

Fig. **4**

1. Select the refrigerator section using the compartment button.
2. Press the super button until the super cooling display lights up.

You do not need to switch off super cooling. After 6 hours, the previously set temperature is automatically restored.

### Note

When super cooling is switched on, increased operating noises may occur.

## The hyperFresh compartment

The temperature in the cool-fresh compartment is about 0 °C. The low temperature and the optimum moisture provide ideal storage conditions for fresh food.

Food can be kept fresh up to three times longer in the cool-fresh compartment than in the normal cooling zone – for even longer freshness, nutrient retention and flavour.

### Vegetable container

Fig. 7

The vegetable container is the optimum storage location for fresh fruit and vegetables. The humidity controller of the partition and a special seal can be used to adjust the air humidity in the vegetable container.

The air humidity in the vegetable container can be set according to the type and amount of products to be stored:

- Mainly fruit as well as for a large load – lower air humidity
- Mainly vegetables as well as for a mixed load or small load – higher air humidity

### Notes

- Fruit sensitive to cold (e.g. pineapple, banana, papaya and citrus fruit) and vegetables sensitive to cold (e.g. aubergines, cucumbers, zucchini, peppers, tomatoes and potatoes) should be stored outside the refrigerator at temperatures of approx. +8 °C to +12 °C for optimum preservation of quality and flavour.
- Condensation may form in the vegetable container depending on the food and quantity stored. Remove condensation with a dry cloth and adjust air humidity in the vegetable container with the humidity controller.

### “Cool-fresh” container

Fig. 1/22

The storage climate in the “cool-fresh” container offers ideal conditions for the storage of fish, meat, sausage, cheese and milk.

### Storage times (at 0 °C)

Depending on the initial quality	
Fresh fish, seafood	up to 3 days
Poultry, meat (boiled/fried)	up to 5 days
Beef, pork, lamb, sausage (cold meat)	up to 7 days
Smoked fish, broccoli	up to 14 days
Salad greens, fennel, apricots, plums	up to 21 days
Soft cheese, yoghurt, quark, buttermilk, cauliflower	up to 30 days

---

## Freezer compartment

### Use the freezer compartment

- To store deep-frozen food.
- To make ice cubes.
- To freeze food.

#### Note

Ensure that the freezer compartment door has been closed properly. If the door is open, the frozen food will thaw. The freezer compartment will become covered in thick ice. Also: waste of energy due to high power consumption!

---

## Max. freezing capacity

Information about the max. freezing capacity within 24 hours can be found on the rating plate. Fig. 12

### Prerequisites for max. freezing capacity

- Switch on super freezing before placing fresh products in the compartment (see chapter entitled “Super freezing”).
- Remove containers; stack food directly on the shelf and on the floor of the freezer compartment.
- Freeze large quantities of food preferably in the very top compartment where food freezes particularly quickly and therefore also gently.

---

## Freezing and storing food

### Purchasing frozen food

- Packaging must not be damaged.
- Use by the “use by” date.
- Temperature in the supermarket freezer must be  $-18\text{ }^{\circ}\text{C}$  or lower.
- If possible, transport deep-frozen food in an insulated bag and place quickly in the freezer compartment.

### Note when loading products

- Preferably freeze large quantities of food in the top compartment, where food freezes particularly quickly and therefore also gently.
- Place the food over the whole area of the compartments or the frozen food containers.

#### Note

Food which is already frozen must not come into contact with the food which is to be frozen. If required, move the frozen food to other frozen food containers.

### Storing frozen food

Insert frozen food container all the way to ensure unrestricted air circulation.



## Freezing fresh food

Freeze fresh and undamaged food only.

To retain the best possible nutritional value, flavour and colour, vegetables should be blanched before freezing. Aubergines, peppers, zucchini and asparagus do not require blanching.

Literature on freezing and blanching can be found in bookshops.

### Note

Keep food which is to be frozen away from food which is already frozen.

- The following foods are suitable for freezing:  
Cakes and pastries, fish and seafood, meat, game, poultry, vegetables, fruit, herbs, eggs without shells, dairy products such as cheese, butter and quark, ready meals and leftovers such as soups, stews, cooked meat and fish, potato dishes, soufflés and desserts.
- The following foods are not suitable for freezing:  
Types of vegetables, which are usually consumed raw, such as lettuce or radishes, eggs in shells, grapes, whole apples, pears and peaches, hard-boiled eggs, yoghurt, soured milk, sour cream, crème fraîche and mayonnaise.

## Packing frozen food

To prevent food from losing its flavour or drying out, place in airtight containers.

1. Place food in packaging.
2. Remove air.
3. Seal the wrapping.
4. Label packaging with contents and date of freezing.

### Suitable packaging:

Cling wrap, tubular film made of polyethylene, aluminium foil, freezer containers.

These products are available from specialist outlets.

### Unsuitable packaging:

Wrapping paper, greaseproof paper, cellophane, bin liners and used shopping bags.

### Items suitable for sealing packaged food:

Rubber bands, plastic clips, string, cold-resistant adhesive tape, etc.

Bags and tubular film made of polyethylene (PE) can be sealed with a film heat sealer.

## Shelf life of frozen food

Storage duration depends on the type of food.

At a temperature of  $-18\text{ }^{\circ}\text{C}$ :

- Fish, sausage, ready meals and cakes and pastries:  
up to 6 months
- Cheese, poultry and meat:  
up to 8 months
- Vegetables and fruit:  
up to 12 months

---

## Super freezing

Food should be frozen solid as quickly as possible in order to retain vitamins, nutritional value, appearance and flavour.

Several hours before placing fresh food in the freezer compartment, switch on super freezing to prevent an unwanted temperature rise.

As a rule, 4–6 hours is adequate.

This appliance runs constantly and the freezer compartment drops to a very low temperature.

If the max. freezing capacity is to be used, super freezing must be switched on for 24 hours before the fresh produce is placed in the freezer compartment.

Smaller quantities of food (up to 2 kg) can be frozen without “super freezing”.

### Note

When super freezing is switched on, increased operating noises may occur.

## Switching on and off

Fig. 4

1. Select the freezer section using the compartment button.
2. Press the super button until the super freezing display lights up.

You do not need to switch off super freezing. After approx. 2½ days, the previously set temperature is automatically restored.

---

## Thawing frozen food

Depending on the type and application, select one of the following options:

- at room temperature
- in the refrigerator
- in an electric oven, with/without fan assisted hot-air
- in the microwave



### Caution

Do not refreeze thawing or thawed food. Only ready meals (boiled or fried) may be refrozen.

No longer store the frozen produce for the max. storage period.

---

## Interior fittings

### Shelves and containers

You can reposition the inner shelves and the containers in the door as required: pull shelf forwards, lower and swivel out to the side. Lift the container and remove.

### Special features

(not all models)

#### Butter and cheese compartment

To open the butter compartment, gently press in the middle of the butter compartment flap.

To clean the compartment, lift it at the bottom and take out.

**Breakfast set**

Fig. 5

The containers for the breakfast set can be taken out and filled individually.

You can take out the breakfast set for loading and unloading. To do this, lift the breakfast set and pull out. The container holder can be moved.

**Bottle shelf**

Fig. 6

Bottles can be stored securely on the bottle shelf.

**Ice cube tray**

Fig. 11

1. Fill the ice cube tray  $\frac{3}{4}$  full of drinking water and place in the freezer compartment.
2. If the ice tray is stuck to the freezer compartment, loosen with a blunt implement only (spoon-handle).
3. To loosen the ice cubes, twist the ice tray slightly or hold briefly under flowing water.

**Freezer calendar**

Fig. 10

To prevent the quality of the frozen food from deteriorating, do not exceed the storage duration. The figures next to the symbols indicate the permitted storage period of the produce in months. In the case of commercially available frozen food observe the date of manufacture or use-by date.

**Ice block**

If a power failure or malfunction occurs, the ice blocks can be used to slow down the thawing process. The longest storage time is obtained by placing the ice pack on the food in the top compartment.

The ice blocks can also be used to cool food temporarily, e. g. in a cold bag.

## Switching off and disconnecting the appliance

### Switching off the appliance

Press "+" button for 10 seconds. Refrigeration unit switches off.

(Not all models).

### Disconnecting the appliance

If you do not use the appliance for a prolonged period:

1. Pull out the mains plug or switch off the fuse.
2. Clean the appliance.
3. Leave appliance doors open.

**Note**

To avoid damage to the appliance, appliance doors must be opened far enough that they remain in that position on their own. Do not jam any objects into the door to prop it open.

---

## Cleaning the appliance

### Caution

- Do not use abrasive, chloride or acidic cleaning agents or solvents.
- Do not use scouring or abrasive sponges.  
The metallic surfaces could corrode.
- Never clean shelves and containers in the dishwasher.  
The parts may become deformed!

### The cleaning water must not get into the following areas:

- Controls
- Illumination
- Ventilation openings
- Openings in the separating plate

### Proceed as follows:

1. Pull out the mains plug or switch off the fuse.
2. Take out the frozen food and store in a cool location. Place ice pack (if available) on the food.
3. The rinsing water must not drip into the controls, lighting, ventilation openings or the openings in the partition!

Clean the appliance with a soft cloth, lukewarm water and a little pH-neutral washing-up liquid.

4. Wipe the door seal with clear water only and then wipe dry thoroughly.
5. After cleaning reconnect the appliance.
6. Put the frozen food back into the appliance.

## Features

All variable parts of the appliance can be taken out for cleaning.

### Note

The separating plate between the refrigerator compartment and the hyperFresh compartment is permanently fixed. To prevent any damage to the appliance, this may only be removed by customer service or authorized specialists.

### Take out shelves in the door

Fig. **3**

Lift shelves upwards and take out.

### Take out glass shelves

Pull the glass shelves forwards and take out.

### Removing the container

Fig. **8**

Pull out the container all the way and lift to detach it.

To insert the container, place on the telescopic rails and push into the appliance. Attach the container by pressing it down.

### Taking out the frozen food container

Fig. **9**

Pull out the frozen food container all the way, lift at the front and remove.

---

## Light (LED)

Your appliance features a maintenance-free LED light.

These lights may be repaired by customer service or authorised technicians only.

---

## Tips for saving energy

- Install the appliance in a dry, well ventilated room! The appliance should not be installed in direct sunlight or near a heat source (e.g. radiator, cooker).  
If required, use an insulating plate.
- Allow warm food and drinks to cool down before placing in the appliance.
- Thaw frozen food in the refrigerator compartment and use the low temperature of the frozen food to cool refrigerated food.
- Open the appliance as briefly as possible.
- To achieve the lowest energy consumption, leave a small wall gap at the side.
- The arrangement of the fittings does not affect the energy rating of the appliance.

---

## Operating noises

### Preventing noises

#### **The appliance is not level**

Please align the appliance with a spirit level. Use the height-adjustable feet or place packing underneath them.

#### **The appliance is not free-standing**

Please move the appliance away from adjacent units or appliances.

#### **Containers or storage areas wobble or stick**

Please check the removable parts and re-insert them correctly if required.

#### **Bottles or receptacles are touching each other**

Move the bottles or receptacles slightly away from each other.

## Eliminating minor faults yourself

Before you call customer service:

Please check whether you can eliminate the fault yourself based on the following information.

Customer service will charge you for advice – even if the appliance is still under guarantee!

<b>Fault</b>	<b>Possible cause</b>	<b>Remedial action</b>
Temperature differs greatly from the set value.		<p>In some cases it is adequate to switch off the appliance for 5 minutes.</p> <p>If the temperature is too high wait a few hours and check whether the temperature has approached the set value.</p> <p>If the temperature is too low check the temperature again the next day.</p>
The light does not function.	The LED light is defective.	See chapter “Light (LED)” section.
	<p>Appliance was open too long.</p> <p>Light is switched off after approx. 10 min.</p>	When the appliance is closed and opened, the light is on again.
Displays do not illuminate.	Power failure; the fuse has been switched off; the mains plug has not been inserted properly.	Connect mains plug. Check whether the power is on, check the fuses.
It is too cold in the cooling compartment or the hyperFresh compartment.		Increase the temperature in the cooling compartment.
		Increase the temperature in the hyperFresh compartment.
The temperature in the freezer compartment is too warm.	Appliance opened frequently.	Do not open the appliance unnecessarily.
	The ventilation openings have been covered.	Remove obstacles.
	Large quantities of fresh food are being frozen.	Do not exceed max. freezing capacity.

Fault	Possible cause	Remedial action
Appliance is not cooling, temperature display and light are lit.	Showroom mode is switched on.	<p>Press and hold the compartment button and the setting button — for 5 seconds until a confirmation tone sounds.</p> <p>After a short time, check whether your appliance is cooling.</p>
The side panels of the appliance are warm.	Pipes run into the side panels which heat during the cooling process.	<p>That is normal behaviour for the appliance and not a fault.</p> <p>Furniture touching the appliance will not be damaged by the heat.</p>
Freezer compartment door was open for a long time; temperature is no longer reached.	The evaporator (refrigeration generator) in the NoFrost system is covered in thick ice and can no longer be defrosted fully automatically.	<p>To defrost the evaporator, remove the frozen food with the compartments, insulate well and store in a cool location.</p> <p>Switch off the appliance and move it away from the wall. Leave the appliance door open.</p> <p>After approx. 20 min. the condensation begins to run into the evaporation pan, at the rear of the appliance.</p> <p>To prevent the evaporation pan from overflowing in this case, mop up the condensation with a sponge.</p> <p>The evaporator is defrosted when the water stops running into the evaporation pan. Clean the interior. Switch the appliance back on again.</p>

## Appliance self-test

Your appliance features an automatic self-test program which shows you sources of faults which may be repaired by customer service only.

### Starting the appliance self-test

1. Switch off the appliance and wait 5 minutes.
2. Switch on the appliance and within the first 10 seconds, press and hold the compartment button and the "-" setting button for 3–5 seconds until an audible signal sounds.

The self-test programme starts.

When the self-test ends and an audible signal sounds twice, your appliance is in working order.

If 5 audible signals sound, there is an error. Inform customer service.

### Ending the appliance self-test

When the programme has ended, the appliance switches over to normal operation.

## Customer service

Your local customer service can be found in the telephone directory or in the customer-service index. Please provide customer service with the appliance product number (E-Nr.) and production number (FD-Nr.).

This information can be found on the rating plate. Fig. 12

To prevent unnecessary call-outs, please assist customer service by quoting the product and production numbers. This will save you additional costs.

### Repair order and advice on faults

Contact information for all countries can be found on the enclosed customer service list.

GB	0344 892 8999	Calls charged at local or mobile rate.
IE	01450 2655	0.03 € per minute at peak. Off peak 0.0088 € per minute.
US	866 447 4363	toll-free



---

## Указания по безопасности и предупреждения

### Прежде чем ввести прибор в эксплуатацию

Внимательно прочтите инструкцию по монтажу и эксплуатации! В ней содержится важная информация по установке, использованию и техническому обслуживанию прибора.

Изготовитель не несет никакой ответственности за последствия, если Вы не соблюдали указания и предупреждения, приведенные в инструкции по эксплуатации. Сохраните всю документацию для позднейшего использования или для передачи ее следующему владельцу прибора.

### Техническая безопасность

В трубах контура циркуляции хладагента имеется в небольшом количестве экологически безвредный, но горючий хладагент (R600a). Он не разрушает озоновый слой и не способствует развитию парникового эффекта. При вытекании хладагент может привести к травмам глаз или воспламенению.

### При повреждении:

- Не подходите близко к бытовому прибору с открытым пламенем или какими-либо иными источниками воспламенения,
- хорошо проветрите помещение в течение нескольких минут,
- выключите холодильник и извлеките вилку из розетки,
- сообщите о повреждениях в сервисную службу.

Чем большее количество хладагента содержится в бытовом приборе, тем больше должно быть помещение, в котором он установлен. В слишком маленьких помещениях при утечке хладагента может образоваться горючая смесь паров хладагента с воздухом. На каждые 8 г хладагента должен приходиться как минимум 1 м<sup>3</sup> помещения. Количество хладагента, содержащееся в Вашем бытовом приборе, приведено в фирменной табличке, расположенной внутри бытового прибора.

В случае повреждения сетевой шнур данного прибора заменяется изготовителем, сервисной службой или специалистом с соответствующей квалификацией. Неквалифицированно выполненные установка и ремонт бытового прибора могут превратить его в источник серьезной опасности для пользователя. Ремонт производится только изготовителем, сервисной службой или специалистом с соответствующей квалификацией.

Разрешается использовать только оригинальные запчасти изготовителя. Только в отношении этих деталей изготовитель гарантирует, что они отвечают требованиям техники безопасности.

Не используйте многоконтактные розетки, удлинительные кабели или адаптеры.

### При эксплуатации

- Никогда не использовать электрические приборы внутри прибора (напр.: нагревательные приборы, электрические мороженицы и т.д.). Взрывоопасность!
- Никогда не размораживать и не чистить прибор с помощью пароочистителя! Пар может попасть на электрические детали и вызвать короткое замыкание. Опасность поражения электрическим током!
- Не использовать предметы с острым концом или острыми краями для удаления слоев инея или льда. Тем самым Вы можете повредить трубки, по которым циркулирует хладагент. Брызги хладагента могут воспламениться или привести к поражению глаз.

- Не хранить продукты с горючими газами-вытеснителями (напр., аэрозольные баллончики), а также взрывоопасные вещества. Взрывоопасность!
- Не использовать цокольную подставку, вытяжные полки, дверцы и т.д. в качестве подножки или опоры.
- Для размораживания и чистки извлечь вилку из розетки или отключить предохранитель. При извлечении вилки из розетки следует тянуть за вилку, а не за сетевой шнур.
- Крепкие алкогольные напитки хранить только плотно закрытыми и стоя.
- Не допускать попадания масла или жира на пластмассовые детали и уплотнитель дверцы. Иначе пластмассовые детали и уплотнитель дверцы станут пористыми.
- Никогда не закрывать и не загоразивать вентиляционные отверстия прибора.

### ■ Предупреждение рисков для детей и подверженных опасности лиц:

К подверженным опасности лицам относятся дети, лица с физическими и психическими ограничениями или с ограниченным восприятием, а также лица, не обладающие достаточными знаниями для надежной эксплуатации прибора.

Убедитесь в том, что дети и подверженные опасности лица осознали грозящие опасности.

При использовании прибора, дети и подверженные опасности лица должны находиться под надзором или руководством лица, отвечающего за их безопасность.

Пользование прибором можно позволять только детям старше 8 лет.

Во время чистки и технического обслуживания дети должны находиться под надзором.

Ни в коем случае не позволять детям играть с прибором.

- В морозильном отделении нельзя хранить жидкости в бутылках или жестяных банках (особенно газированные напитки). Бутылки и банки могут лопнуть!
- Замороженные продукты никогда не брать в рот сразу после извлечения из морозильного отделения. Опасность холодового ожога!
- Избегайте продолжительного контакта рук с замороженными продуктами, льдом или трубками испарителя и т.д. Опасность холодового ожога!

### **Если в доме есть дети**

- Упаковку и ее составные части нельзя отдавать детям. Существует опасность удушья, которой дети подвергаются, закрывшись в картонной коробке или запутавшись в полиэтиленовой пленке!
- Холодильник – это не игрушка для детей!
- В случае с холодильниками, дверь которых закрывается на замок: храните ключ от замка в недоступном для детей месте!

### **Общая информация**

Бытовой прибор предназначен

- для охлаждения и замораживания продуктов питания,
- для приготовления пищевого льда.

Этот прибор предназначен для использования в частном домашнем хозяйстве и в бытовых условиях.

Согласно предписаниям Директивы ЕС 2004/108/ЕС, бытовой прибор при работе не создает радиопомех.

Контур циркуляции хладагента проверен на герметичность.

Данный бытовой прибор отвечает соответствующим требованиям Предписаний по технике безопасности для электрических приборов (EN 60335-2-24).

Данный прибор предназначен для использования на высоте не более 2000 м над уровнем моря.

## Указания по утилизации

### Утилизация упаковки

Весь упаковочный материал, который использовался для защиты холодильника при транспортировке, пригоден для вторичной переработки и не наносит вреда окружающей среде. Внесите, пожалуйста, и Вы свой вклад в дело защиты окружающей среды, сдав упаковку на экологичную утилизацию.

Информацию об актуальных методах утилизации Вы можете получить у Вашего торгового агента или в административных органах по месту Вашего жительства.

### Утилизация старого холодильника

Отслужившие свой срок старые бытовые холодильники нельзя рассматривать как бесполезные отходы! Благодаря экологичной утилизации из них удастся получить ценное сырье.



Данный прибор имеет отметку о соответствии европейским нормам 2012/19/EU утилизации электрических и электронных приборов (waste electrical and electronic equipment - WEEE).

Данные нормы определяют действующие на территории Евросоюза правила возврата и утилизации старых приборов.

### Предупреждение

В случае с отслужившими свой срок холодильниками:

1. Извлеките вилку из розетки.
2. Отрежьте сетевой шнур и уберите его подальше вместе с вилкой.
3. Полки, боксы и контейнеры извлекать не следует, чтобы дети не смогли забраться внутрь холодильника!
4. Не позволяйте детям играть со старым бытовым прибором. Опасность удушья!

В холодильной установке содержится хладагент, а в изоляции бытового прибора – газы, утилизация которых должна проводиться квалифицированно. Трубки контура, по которому циркулировал хладагент, ни в коем случае не должны быть повреждены до начала утилизации.

## Объем поставки

Убедитесь в отсутствии возможных повреждений элементов при транспортировке, освободив все элементы от упаковки.

С рекламациями обращайтесь в магазин, в котором Вы приобрели прибор, или в нашу сервисную службу.

В комплект поставки входят следующие элементы:

- Напольный прибор
- Оснащение (в зависимости от модели)
- Мешок с монтажными материалами
- Инструкция по эксплуатации
- Инструкция по монтажу
- Книжка сервисной службы
- Гарантия в приложении
- Информация о расходе электроэнергии и шумах

## Место установки

Лучше всего устанавливать бытовой прибор в сухом, хорошо проветриваемом помещении. На прибор не должны попадать прямые солнечные лучи, и он не должен располагаться в непосредственной близости от таких источников тепла, как плита, радиатор отопления и пр. Если этого не удастся избежать, то необходимо воспользоваться подходящей плитой из изолирующего материала или расположить прибор таким образом, чтобы выдерживались следующие расстояния до источника тепла:

- До электрической и газовой плит: 3 см.
- До плиты, отапливаемой жидким топливом или углем: 30 см.

Пол на месте установки прибора не должен прогибаться, при необходимости его следует упрочнить. Возможные неровности пола следует компенсировать с помощью подложек.

## Расстояние от стены

Установите прибор так, чтобы двери открывались под углом 90°.

## Температура окружающей среды и вентиляция

### Температура окружающей среды

Холодильник относится к определенному климатическому классу. В зависимости от климатического класса, холодильник может работать при приведенных ниже значениях температуры окружающей среды.

Климатический класс прибора указан в его типовой табличке (рисунок 12).

Климатический класс	Допустимая температура окружающей среды
SN	от +10 °C до +32 °C
N	от +16 °C до +32 °C
ST	от +16 °C до +38 °C
T	от +16 °C до +43 °C

### Указание

Полная функциональность прибора обеспечена в пределах температуры окружающей среды указанного климатического класса. Если прибор климатического класса SN работает при более низкой температуре окружающей среды, то повреждения прибора можно исключить до температуры +5 °C.

## Вентиляция

Рисунок **2**

Воздух у задней стенки прибора и у его боковых стенок нагревается. Нагретый воздух должен иметь возможность беспрепятственно подниматься вверх. Иначе холодильный агрегат должен будет работать с повышенной нагрузкой. А это повышает расход электроэнергии. Поэтому: Никогда не закрывайте и ничем не загораживайте вентиляционные отверстия холодильника!

---

## Подключение бытового прибора

После установки бытового прибора следует подождать как минимум 1 час и только потом вводить его в эксплуатацию. Так как не исключено, что во время транспортировки бытового прибора содержащееся в компрессоре масло могло попасть в систему охлаждения. Перед вводом бытового прибора в эксплуатацию в первый раз следует почистить его изнутри (смотрите раздел «Чистка бытового прибора»).

## Подключение к электросети

Розетка должна находиться вблизи прибора и в свободно доступном месте также после установки прибора.

### Предупреждение

Опасность поражения электрическим током

Если длина сетевого шнура недостаточна, ни в коем случае не используйте многоконтактные розетки или удлинительные кабели. Обратитесь в сервисную службу, где вам предложат альтернативные варианты.

Прибор соответствует классу защиты I. Прибор подключайте к сети переменного тока 220–240 В/50 Гц с помощью установленной надлежащим образом розетки с защитным заземлением. Сетевая розетка должна быть оснащена предохранителем на 10–16 А.

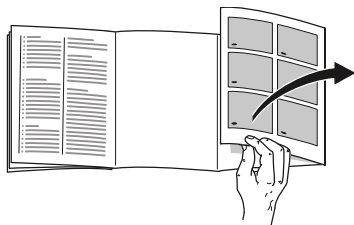
Применительно к бытовым приборам, которые будут эксплуатироваться в неевропейских странах, необходимо проверить, чтобы значение напряжения и вид тока совпадали с параметрами электросети пользователя. Эти данные приведены на типовой табличке холодильника, рисунок **12**.

## Предупреждение

Прибор нельзя ни в коем случае подключать к электронным энергосберегающим штекерам.

Для использования наших бытовых приборов можно применять ведомые сетью и синусные инверторы. Ведомые сетью инверторы применяются в фотогальванических энергетических установках, которые подсоединяются непосредственно к общественной сети энергоснабжения. В изолированных условиях (напр., на кораблях или в горных приютах) без непосредственного подсоединения к общественной электросети необходимо применение синусных инверторов.

## Знакомство с бытовым прибором



Откройте, пожалуйста, последние страницы с рисунками. Данная инструкция по эксплуатации действительно для нескольких моделей.

Комплектация моделей может отличаться друг от друга.

Поэтому в рисунках не исключены некоторые отличия.

Рисунок **1**

\* Не во всех моделях.

- A Холодильное отделение
  - B Отделение hyperFresh
  - C Морозильное отделение
- 1–13 Элементы управления
  - 14\* Отделение для масла и сыра
  - 15 Полка для маленьких бутылок
  - 16 Полка для больших бутылок
  - 17 Освещение (на светодиодах)
  - 18\* Полка для бутылок
  - 19\* в комплект для завтрака
  - 20 Разделительная полка с регулятором влажности
  - 21 Бокс для овощей
  - 22 Бокс сохранения свежести
  - 23\* Бокс для замороженных продуктов

## Элементы управления

Рисунок **4**

- 1 **Индикатор температуры в холодильном отделении**  
Цифры соответствуют значениям установленной для холодильного отделения температуры в °С.
- 2 **Индикация alarm**  
Выделяется, если в холодильном отделении слишком тепло.
- 3 **Индикация super cooling**  
Выделяется в режиме суперохлаждения.
- 4 **Индикатор температуры hyperFresh**  
Показывает температуру, установленную для отделения hyperFresh.



- 5 **Индикация alarm**  
Выделяется, если в морозильном отделении слишком тепло.
- 6 **Индикация температуры в морозильном отделении**  
Цифры соответствуют значениям установленной для морозильного отделения температуры в °С.
- 7 **Индикация super freezing**  
Выделяется в режиме суперзамораживания.
- 8 **Индикация экономного режима**  
Выделяется, если включен экономный режим.
- 9 **Кнопка lock/alarm off**  
Кнопка служит для
- выключения предупредительного сигнала (см. раздел «Предупредительная функция»)
  - для включения и выключения блокировки кнопок.
- 10 **Кнопка compartment для выбора отделения**  
Служит для выбора отделения. Это необходимо, чтобы изменить его температуру или включить определенные специальные функции.
- 11 **Кнопки установки +/-**  
Кнопки служат для установки температуры в холодильном и морозильном отделении.

- 12 **Кнопка «timer»**  
С помощью этой кнопки можно задавать время, по истечении которого будет звучать сигнал. Смотрите информацию в разделе «Специальные функции».
- 13 **Индикация vacation mode**  
Выделяется, если включен режим «Отпуск».

---

## Включение прибора

1. Вставьте сначала штекер в гнездо на задней стенке прибора. Проверьте, вставлен ли штекер до отказа.
2. Подсоедините затем другой конец кабеля к розетке.

Прибор теперь включен, и звучит предупредительный сигнал.

Нажмите на кнопку lock/alarm off, чтобы отключить предупредительный сигнал.

Индикация alarm гаснет, как только прибор достигнет заданной температуры.

Заданные температуры будут достигнуты через несколько часов. До этого не загружайте продукты в прибор.

Завод-изготовитель рекомендует следующие температурные установки:

- морозильное отделение:  $-18\text{ }^{\circ}\text{C}$
- отделение hyperFresh: от  $0\text{ }^{\circ}\text{C}$  до  $2\text{ }^{\circ}\text{C}$
- холодильное отделение:  $+4\text{ }^{\circ}\text{C}$

## Указания по эксплуатации

- После включения прибора может потребоваться несколько часов для достижения установленного уровня температуры.
- Благодаря полностью автоматической системе «No Frost» внутри морозильного отделения лед не образуется. В размораживании больше нет необходимости.
- Если после закрывания дверцу не удастся сразу снова открыть, то нужно подождать некоторое время, пока компенсируется создавшееся внутри отделения пониженное давление.
- Передняя сторона и боковые стенки корпуса частично слегка подогреваются. Это предотвращает образование конденсата.

## Установка температуры

Рисунок 4

### Холодильное отделение

Температура регулируется в диапазоне от +2 °С до +8 °С.

1. Нажимайте на кнопку выбора 10 до тех пор, пока не будет активизирован участок дисплея 1 для холодильного отделения.
2. Нажимайте на кнопки «+/-» 11 до тех пор, пока на дисплее не появится необходимая Вам температура.

Скорпортящиеся продукты не должны храниться при температуре выше +4 °С.

## Отделение hyperFresh

Температура регулируется в диапазоне от -1 °С до 3 °С.

1. Нажимайте на кнопку выбора 10 до тех пор, пока не включится индикация hyperFresh 4.
2. Нажимайте на кнопки +/- до тех пор, пока на дисплее не появится нужная температура.

## Морозильное отделение

Температура регулируется в диапазоне от -16 °С до -24 °С.

1. Выберите морозильное отделение кнопкой compartment.
2. Нажимайте на кнопки +/- до тех пор, пока на дисплее не появится нужная температура.

## Специальные функции

Рисунок 4

### Экономный режим

В экономном режиме прибор переходит на режим работы с экономией электроэнергии.

#### Включение:

Нажмите кнопку eco.

Прибор устанавливает автоматически следующую температуру:

- холодильное отделение: +8 °С
- отделение hyperFresh: +3 °С
- морозильное отделение: -16 °С

#### Выключение:

Нажмите кнопку eco.

## Функция блокировки кнопок Lock

Для включения и выключения блокировки кнопок держите нажатой кнопку lock/alarm off 5 секунд.

При включенной функции выделена индикация lock.

При этом панель управления предохранена от нежелательных операций управления.

### Снятие блокировки кнопок:

Для выключения блокировки кнопок и при звуковом предупредительном сигнале можно нажать на кнопку lock/alarm off.

## Функция «timer»

С помощью данной функции Вы можете задавать время от 1 до 99 минут. Например, если продукты питания должны быть через некоторое время извлечены из какого-либо отделения холодильника, то Вам об этом напомним сигнал, звучащий по истечении заданного времени.

На заводе-изготовителе была выполнена предварительная установка времени 20 минут.



### Внимание

Если оставить бутылки с напитками в морозильном отделении дольше чем на 20 минут, то они могут лопнуть.

### Включение функции

1. Нажать на кнопку «timer» 12.
2. С помощью кнопок «+/-» установить необходимое время.

### Выключение функции

В течение 3 секунд дважды нажать на кнопку «timer» 12.

## Отпускной режим эксплуатации

На период длительного отсутствия Вы можете перевести холодильник в отпускной режим – режим экономии электроэнергии.

Температура в холодильном отделении автоматически переводится на значение +14 °С.

В это время в холодильном отделении не следует хранить продукты питания.

### Включение:

Нажмите кнопку vacation mode.

Прибор устанавливает автоматически следующую температуру:

- холодильное отделение: +14 °С
- отделение hyperFresh: +14 °С
- морозильное отделение: –16 °С

### Указание

На дисплее hyperFresh появится «-».

### Выключение:

Нажмите кнопку vacation mode.

---

## Предупредительная функция

Предупредительная сигнализация может включиться в следующих случаях.

### Предупредительный сигнал при открытой дверце

Если прибор остается слишком долго открытым, включается предупредительный сигнал при открытой двери (непрерывный звуковой сигнал) и на индикаторе температуры холодильного отделения 1 появляется alarm. Предупредительный сигнал при открытой двери выключается после закрытия двери прибора.

### Сигнализация предупреждения о повышении температуры

Раздается периодический звуковой сигнал, на индикаторе температуры морозильного отделения 6 появляется alarm.

Предупредительный сигнал при повышении температуры включается, если в морозильном отделении становится слишком тепло и замороженные продукты могут разморозиться.

Предупредительная сигнализация может включиться, даже если замороженным продуктам не угрожает размораживание, в следующих случаях:

- При вводе прибора в эксплуатацию.
- При загрузке большого количества свежих продуктов питания.

### Указание

Подтаявшие или полностью размороженные продукты нельзя снова замораживать. Только после тепловой обработки продуктов (их можно сварить или поджарить) готовые блюда можно снова заморозить.

Но готовые блюда нельзя хранить так долго, как свежие продукты.

В течение 5 секунд дисплей показывает самую высокую температуру, которая господствовала в морозильном отделении. После чего на дисплей снова выводится заданная температура.

### Отключение предупредительного сигнала

Нажмите кнопку lock/alarm off, чтобы отключить предупредительный сигнал.

## Полезный объем

Данные, касающиеся полезного объема, Вы сможете найти, внутри своего бытового прибора на типовой табличке. Рисунок 12

## Использование всего объема морозильного отделения

Для того, чтобы разместить максимальное количество замороженных продуктов, контейнеры можно извлечь. Продукты можно затем складывать прямо на полке и на дне морозильного отделения.

### Указание

Избегайте касания продуктами питания задней стенки. Это нарушит циркуляцию воздуха.

Продукты питания или упаковки могут примерзнуть к задней стенке.

### Извлечение элементов оснащения

Вытяните бокс для замороженных продуктов до упора, приподнимите спереди и извлеките. Рисунок 9

## Холодильное отделение

Холодильное отделение обеспечивает идеальные условия для хранения мяса, колбасы, рыбы, молочных продуктов, яиц, готовых блюд и выпечки.

## При размещении продуктов учитывать следующее

- Загружайте свежие, неповрежденные продукты. Таким образом дольше сохранятся качество и свежесть продуктов.
- Следить за указанными изготовителями сроками годности или сроками хранения готовых продуктов и развесных товаров.
- Для сохранения аромата, цвета и свежести загружать продукты в плотной упаковке или в закрытой посуде. Таким образом можно избежать изменения вкуса продуктов, а также изменения цвета пластмассовых деталей в холодильном отделении.
- Горячие блюда и напитки сначала охладить а потом поставить в прибор.

### Указание

Во избежание нарушения циркуляции воздуха, не загораживайте продуктами отверстия для выхода воздуха. Продукты питания, расположенные непосредственно перед этими отверстиями, могут заморозиться в потоке холодного воздуха.

## Обратите внимание на различные температурные зоны в холодильном отделении

Из-за циркуляции воздуха в холодильном отделении возникают различные температурные зоны:

- Зоны самых низких температур находятся перед воздуховыпускными отверстиями и в отделении с пониженной температурой, рисунок **1**/22.

### Указание

Храните в зонах самых низких температур скоропортящиеся продукты (напр.: рыбу, колбасу, мясо).

- Зона самой высокой температуры находится в самой верхней части дверцы.

### Указание

Храните в зоне самой высокой температуры, напр., твердый сыр и масло. Аромат твердого сыра может развиваться дальше, а консистенция сливочного масла остается мягкой.

## Суперохлаждение

При этом холодильное отделение в течение 6 часов охлаждается до самой низкой предельно-допустимой температуры. Затем происходит автоматическое переключение на установленную до включения суперохлаждения температуру.

Функцию суперохлаждения следует включать, например

- перед загрузкой большого количества продуктов питания,
- для быстрого охлаждения напитков.

## Включение и выключение

Рисунок **4**

1. Выберите холодильное отделение кнопкой compartment.
2. Нажимайте на кнопку «super» до тех пор, пока не загорится индикация super cooling.

Режим суперохлаждения выключать не требуется. Спустя 6 часов прибор автоматически переключится на ранее установленную температуру.

### Указание

Во время работы суперохлаждения эксплуатационный шум может усиливаться.

## Отделение hyperFresh

В зоне свежести поддерживается температура около 0 °С. Низкая температура и оптимальная влажность воздуха создают идеальные условия для хранения свежих продуктов.

В зоне свежести продукты хранятся почти в три раза дольше, чем в обычной зоне охлаждения - для более длительного сохранения свежести, питательных веществ и вкуса.

### Контейнер для овощей

Рисунок 7

Контейнер для овощей обеспечивает оптимальные условия для хранения свежих фруктов и овощей. С помощью регулятора влажности на разделительной полке и специального уплотнителя можно регулировать влажность воздуха в контейнере для овощей.

Вы можете устанавливать влажность воздуха в контейнере для овощей в зависимости от вида и количества загружаемых продуктов:

- преимущественно фрукты, а также при высокой загрузке – более низкая влажность воздуха
- преимущественно овощи а также при смешанной загрузке или малой загрузке – более высокая влажность воздуха

### Указания

- Чувствительные к низким температурам фрукты (напр.: ананасы, бананы, папайю и цитрусовые) и овощи (напр.: баклажаны, огурцы, цуккини, паприку, помидоры и картофель) для оптимального сохранения качества и аромата следует хранить вне холодильника при температурах от +8 °С до +12 °С.
- В зависимости от количества и вида хранимых продуктов в контейнере для овощей может образовываться конденсат. Вытереть конденсат сухой тканью и отрегулировать влажность воздуха в контейнере для овощей при помощи регулятора влажности.

### Контейнер сохранения свежести

Рисунок 1/22

Температурно-влажностный режим в контейнере свежести обеспечивает идеальные условия для хранения рыбы, мяса, колбасы, сыра и молока.

## Продолжительность хранения (при 0 °С)

### В зависимости от исходного качества продуктов

свежая рыба, морепродукты	до 3 дней
птица, мясо (отварное/жареное)	до 5 дней
говядина, свинина, баранина, колбасные изделия (нарезанные ломтиками)	до 7 дней
копченая рыба, брокколи	до 14 дней
салат, фенхель, абрикосы, сливы	до 21 дня
мягкий сыр, йогурт, творог, кислое молоко, цветная капуста	до 30 дней

## Морозильное отделение

### Использование морозильного отделения

- Для хранения замороженных продуктов питания.
- Для приготовления кубиков пищевого льда.
- Для замораживания свежих продуктов.

### Указание

Следите, пожалуйста, за тем, чтобы дверца морозильного отделения всегда была закрыта! Так как при открытой двери замороженные продукты могут подтаять и стенки морозильного отделения покрываются толстым слоем льда. Кроме того: расточительно расходуется электроэнергия из-за повышенного потребления тока!

## Макс. производительность замораживания

Данные по макс. производительности замораживания в течение 24 часов Вы найдете в фирменной табличке. Рисунок 12

### Условия для максимальной производительности замораживания

- Включите суперзамораживание перед загрузкой свежих продуктов (см. раздел «Суперзамораживание»).
- Извлечь контейнеры; продукты сложить прямо на полке и на дне морозильного отделения.
- Большое количество продуктов лучше всего замораживать в самом верхнем отделении. Там они замораживаются очень быстро и благодаря этому в щадящих условиях.



## Замораживание и хранение продуктов

### Покупка замороженных продуктов

- Упаковка не должна быть повреждена.
- Обращайте внимание на указанный срок хранения.
- Температура в морозильном шкафу в магазине должна быть -18 °С или ниже.
- Замороженные продукты перед транспортировкой следует по возможности сложить в термоизолирующую сумку и дома побыстрее загрузить в морозильное отделение.

### При размещении продуктов учитывать следующее

- Большое количество продуктов предпочтительнее замораживать в самом верхнем отделении. Там они замораживаются особенно быстро, а значит и бережно.
- Расположить продукты свободно в отделениях или в боксах для замороженных продуктов.

#### Указание

Уже замороженные продукты не должны соприкасаться со свежими продуктами, предназначенными для замораживания. При необходимости, полностью замороженные продукты переложить в другие боксы для замороженных продуктов.

## Хранение замороженных продуктов

Бокс для замороженных продуктов задвиньте до упора в целях обеспечения оптимальной циркуляции воздуха.

## Замораживание свежих продуктов питания

Для замораживания следует брать только абсолютно свежие продукты питания.

Чтобы как можно лучше сохранить пищевую ценность, аромат и цвет, овощи следует перед замораживанием бланшировать. Бланширование не требуется для баклажанов, сладкого стручкового перца, кабачков и спаржи.

Литературу о замораживании и бланшировании Вы найдете в книжных магазинах.

#### Указание

Постарайтесь, чтобы предназначенные для замораживания свежие продукты питания не соприкасались с уже замороженными продуктами.

- Замораживать можно: выпечку, рыбу и морепродукты, мясо, дичь, птицу, овощи, фрукты, зелень, яйца без скорлупы, молочные продукты, напр., сыр, масло и творог, готовые блюда и остатки приготовленных блюд, напр., супы, рагу, приготовленные мясо и рыбу, блюда из картофеля, запеканки и сладкие блюда.

- Замораживать нельзя: употребляемые в пищу преимущественно в сыром виде овощи, напр., листовые салаты или редиска, яйца в скорлупе, виноград, целые яблоки, груши, персики, сваренные вкрутую яйца, йогурт, простоквашу, сметану, крем-фреш и майонез.

## Упаковка продуктов для замораживания

Упакуйте продукты герметично, чтобы они не потеряли вкус и не вымерзли.

1. Положите продукты в упаковку.
2. Выдавите из упаковки весь воздух.
3. Герметично закройте упаковку.
4. Укажите на упаковке, что в ней находится, и когда продукты были заморожены.

### В качестве упаковки можно использовать:

пленку из различных синтетических материалов, рукава из полиэтиленовой пленки, алюминиевую фольгу, специальные емкости для замораживания продуктов.

Всю эту продукцию Вы найдете в специализированных магазинах.

### В качестве упаковки нельзя использовать:

упаковочную или пергаментную бумагу, целлофан, мешки для мусора и использованные пакеты для покупок.

### Для закрывания упаковки можно использовать:

резиновые кольца, пластмассовые зажимы, шпагат, морозостойкую клейкую ленту и проч.

Мешки и рукава из полиэтиленовой пленки можно заварить с помощью специального сварочного аппарата.

## Продолжительность хранения замороженных продуктов

Срок хранения продуктов питания зависит от их вида.

При температуре  $-18\text{ }^{\circ}\text{C}$ :

- Рыба, колбаса, готовые блюда, хлебо-булочные изделия:  
до 6 месяцев
- Сыр, птица, мясо:  
до 8 месяцев
- Овощи, фрукты:  
до 12 месяцев

## Суперзамораживание

Чтобы в замороженных продуктах сохранились витамины и питательные вещества, а также не испортились их привлекательный вид и хороший вкус, продукты должны как можно быстрее промерзнуть до самой сердцевины.

Включите суперзамораживание за несколько часов перед загрузкой свежих продуктов в целях предупреждения нежелательного повышения температуры.

В общем и целом достаточно 4–6 часов.

После включения данной функции прибор работает непрерывно. В морозильном отделении устанавливается очень низкая температура.

Для использования максимальной производительности замораживания, включите суперзамораживание за 24 часа до загрузки свежих продуктов.

Небольшие количества продуктов питания (до 2 кг) можно замораживать без включения суперзамораживания.

### Указание

Во время работы суперзамораживания эксплуатационный шум может усилиться.

## Включение и выключение

Рисунок 4

1. Выберите морозильное отделение кнопкой compartment.
2. Нажимайте на кнопку «super» до тех пор, пока не загорится индикация super freezing.

Режим суперзамораживания выключать не требуется. Примерно через 2 ½ дня прибор автоматически переключится на ранее установленную температуру.

## Размораживание продуктов

В зависимости от вида и способа приготовления продуктов можно выбрать один из следующих способов их размораживания:

- при комнатной температуре,
- в холодильном отделении,
- в электрическом духовом шкафу, с обдувом горячим воздухом или без,
- в микроволновой печи.



### Внимание

Подтаявшие или полностью размороженные продукты нельзя снова замораживать. Только после тепловой обработки продуктов (их можно сварить или поджарить) готовые блюда можно снова заморозить.

Но их нельзя хранить так же долго, как и замороженные свежие продукты.

## Специальное оснащение

### Полки и боксы

Полки, расположенные внутри холодильного отделения и в дверце холодильника, можно при желании переставлять в другое место: Потяните полку на себя, опустите ее спереди и затем извлеките ее сбоку из направляющих. Приподнимите полку и снимите ее с дверцы.

### Специальное оснащение

(не во всех моделях)

#### Отделение для масла и сыра

Отделение для масла открывается легким нажатием на середину крышки отделения.

Для чистки отделение приподнять снизу и извлечь.

#### Комплект для завтрака

Рисунок 5

Контейнеры комплекта для завтрака можно вынимать и заполнять по отдельности.

Комплект для завтрака можно извлечь для того, чтобы уложить в него или вынуть из него продукты. Для этого комплект для завтрака приподнять и вытянуть. Крепление контейнера можно передвигать.

#### Полка для бутылок

Рисунок 6

На эту полку можно складывать бутылки, не боясь, что они упадут.

### Ванночка для льда

Рисунок 7

1. Ванночку для льда заполните на  $\frac{3}{4}$  питьевой водой и поместите в морозильное отделение.
2. Примерзшую ванночку для льда отделять только тупым предметом (ручкой ложки).
3. Для извлечения кубиков льда, ванночку немного подержать под проточной водой или слегка изогнуть.

### Календарь со сроками хранения замороженных продуктов

Рисунок 10

Не превышайте сроков хранения замороженных продуктов, чтобы их качество не ухудшилось. Цифры рядом с символами – это допустимые сроки хранения замороженных продуктов в месяцах. Обращайте внимание на дату изготовления и срок годности предлагаемых в торговле быстрозамороженных продуктов.

### Аккумулятор холода

При выключении электроэнергии или выходе холодильника из строя аккумулятор холода препятствует слишком быстрому нагреванию находящихся в морозильном отделении замороженных продуктов. Максимальное увеличение срока хранения возможно с помощью аккумулятора холода, положенного на продукты в верхнем отделении.

Аккумулятор холода можно также извлечь на время из морозильного отделения для охлаждения продуктов питания, например, в сумке из изолирующего материала.

## Выключение прибора и вывод его из эксплуатации

### Выключение прибора

Нажимайте на кнопку «+» в течение 10 секунд.

Холодильный генератор выключится.  
(Не во всех моделях).

### Вывод прибора из эксплуатации

Если Вы не будете использовать прибор в течение продолжительного времени:

1. Извлечь штепсельную вилку из розетки или выключить предохранитель.
2. Очистите прибор.
3. Оставить дверцу прибора открытой.

### Указание

Чтобы предотвратить повреждения прибора, его дверцы должны быть открыты так широко, чтобы они самостоятельно оставались открытыми. Не зажимайте какие-либо предметы дверцей, чтобы она оставалась открытой.

## Чистка прибора

### Внимание

- Не использовать средства для чистки и растворители, содержащие песок, хлорид или кислоты.
- Не использовать абразивные и царапающие губки.  
На металлических поверхностях может появиться коррозия.
- Никогда не мыть полки и контейнеры в посудомоечной машине.  
Детали могут деформироваться!

### При мойке не допускайте попадания воды

- на элементы управления
- на освещение
- в вентиляционные отверстия
- в отверстия разделительной панели

### Выполните следующие действия:

1. Извлечь штепсельную вилку из розетки или выключить предохранитель.
2. Извлечь замороженные продукты и положить их в прохладное место. Положить на продукты питания аккумуляторы холода (если таковые имеются).
3. Не допускайте попадания моющей воды в элементы управления, систему освещения, вентиляционные отверстия или отверстия перегородки!  
Очистить прибор мягкой тряпочкой и теплой водой с небольшим количеством моющего средства с нейтральным pH.

4. Уплотнитель дверцы протереть только чистой водой и затем тщательно вытереть насухо.
5. После чистки: снова подключите прибор к электросети.
6. Загрузить обратно замороженные продукты.

## Оснащение

Для чистки все передвижные элементы прибора вынимаются.

### Указание

Перегородка между холодильным отделением и отделением hyperFresh жестко закреплена. Чтобы не повредить прибор, ее разрешается вынимать только сервисной службе или авторизованным специалистам.

### Извлечение полок в двери

Рисунок 3

Приподнимите вверх полки и извлеките.

### Извлечение стеклянных полок

Потяните стеклянные полки к себе и извлеките.

### Извлечение бокса

Рисунок 8

Вытяните полностью бокс и освободите его из фиксации, приподняв сверху.

Чтобы вставить бокс, установите его на направляющих и задвиньте вовнутрь. Зафиксируйте бокс нажатием вниз.

### Извлечение бокса для замороженных продуктов

Рисунок 9

Вытяните бокс для замороженных продуктов до упора, приподнимите спереди и извлеките.

## Освещение (на светодиодах)

Ваш холодильник оснащен системой освещения на светодиодах, которая не нуждается в техобслуживании.

Ремонт освещения данного типа должен проводиться лишь силами специалистов уполномоченного сервисного центра или квалифицированными специалистами, имеющими на это разрешение.

## Как сэкономить электроэнергию

- Бытовой прибор следует установить в сухом, хорошо проветриваемом помещении! Он не должен стоять на солнце или поблизости от источника тепла (например, радиатора отопления, электроплиты).  
При необходимости воспользуйтесь плитой из изолирующего материала.
- Теплые продукты и напитки перед размещением в приборе следует охладить.
- Замороженные продукты поместите для размораживания в холодильное отделение, чтобы использовать холод замороженных продуктов для охлаждения продуктов.
- Закрывайте двери прибора как можно быстрее.

- Чтобы обеспечить минимальный расход энергии: соблюдайте небольшое расстояние сбоку от стены.
- Порядок размещения элементов оснащения не влияет на потребление электроэнергии прибором.

---

## Рабочие шумы

### Как избежать посторонних шумов

#### **Холодильник стоит неровно**

Выровняйте, пожалуйста, холодильник с помощью ватерпаса. Отрегулируйте по высоте винтовые ножки холодильника или подложите что-нибудь под него.

#### **Холодильник «зажат»**

Отодвиньте, пожалуйста, холодильник от стоящей рядом мебели или других бытовых приборов.

#### **Шатающиеся или заклинившие боксы или полки**

Проверьте, пожалуйста, как установлены съемные детали и, при необходимости, расположите их правильно.

#### **Бутылки или прочие емкости прикасаются друг к другу**

Немного отодвиньте, пожалуйста, бутылки или емкости друг от друга.

## Самостоятельное устранение мелких неисправностей

Прежде чем вызвать Службу сервиса:

проверьте, не сможете ли Вы устранить неполадки самостоятельно с помощью приведенных ниже рекомендаций.

Вам придется оплачивать вызов специалистов Службы сервиса для консультации самостоятельно – даже во время гарантийного периода!

Неисправность	Возможная причина	Устранение
Фактическое значение температуры сильно отличается от установленного.		В некоторых случаях достаточно выключить холодильник на 5 минут. Если температура слишком высокая, то проверьте через несколько часов, не приблизилось ли фактическое значение температуры к заданному. Если температура слишком низкая, то проверьте ее на следующий день еще раз.
Освещение не функционирует.	Система освещения на светодиодах вышла из строя.	Смотрите раздел «Освещение (на светодиодах)».
	Бытовой прибор оставался слишком долгое время открытым. Освещение отключится спустя ок. 10 минут.	После открытия и закрытия дверцы прибора освещение включается снова.
Не горит ни один из индикаторов.	Отключили электроэнергию; сработал предохранитель; вилка «болтается» в розетке.	Подключите штепсельную вилку к сети. Посмотрите, есть ли напряжение в электросети, проверьте предохранители.
В холодильном отделении или в отделении hyperFresh слишком холодно.		Установите более высокое значение температуры в холодильном отделении.
		Установите более высокое значение температуры в отделении hyperFresh.



Неисправность	Возможная причина	Устранение
В морозильном отделении слишком высокая температура.	Слишком часто открывались дверцы бытового прибора.	Не открывайте бытовой прибор без надобности.
	Закрыты вентиляционные отверстия.	Уберите мешающие предметы.
	Замораживание слишком большого количества свежих продуктов питания.	Загружайте морозильное отделение с учетом макс. производительности замораживания.
Прибор не охлаждает, индикатор температуры и освещение светятся.	Включен демонстрационный режим.	<p>Держите нажатой кнопку compartment и кнопку настройки — в течение 5 секунд, пока не зазвучит подтверждающий сигнал.</p> <p>Проверьте через некоторое время, охлаждает ли ваш прибор.</p>
Боковые стенки прибора нагреваются.	В боковых стенках проходят трубки, которые нагреваются в процессе охлаждения.	<p>Это нормальный режим работы прибора, и неисправностью не является.</p> <p>Повреждение предметов мебели, соприкасающихся с прибором, под действием тепла не происходит.</p>
Дверца морозильного отделения была слишком долго открытой; установленная температура больше не достигается.	Испаритель (производитель холода) в системе «NoFrost» слишком сильно обледенел, из-за чего он больше не может оттаивать полностью автоматически.	<p>На время размораживания испарителя необходимо извлечь замороженные продукты вместе с ящиками и положить их на хранение в прохладное место, позаботившись об их хорошей теплоизоляции.</p> <p>Выключите холодильник и отодвиньте его от стены. Оставьте дверцу прибора открытой. Примерно через 20 минут талая вода начнет стекать в поддон для испарения, расположенный на задней стенке холодильника.</p> <p>Во избежание переливания талой воды через край поддона испарителя следует несколько раз собрать излишки воды с помощью губки.</p> <p>Когда вода перестает стекать в поддон, испаритель оттаял. Проведите чистку бытового прибора изнутри. Введите холодильник в эксплуатацию.</p>

## Самопроверка прибора

Ваш прибор оснащен программой автоматической самопроверки. Эта проверка покажет Вам источники неисправностей, которые могут быть устранены лишь специалистами Вашего уполномоченного сервисного центра.

### Запуск программы самопроверки

1. Выключите прибор и выждите 5 минут.
2. Включите прибор и в первые 10 секунд после включения нажмите и удерживайте нажатыми кнопку compartment и кнопку настройки «-» в течение 3-5 секунд, пока не раздастся звуковой сигнал. Программа самопроверки запускается.

Если по завершении самопроверки раздастся двойной звуковой сигнал, Ваш прибор работает исправно.

5-кратный звуковой сигнал свидетельствует о неисправности. Обратитесь за помощью в сервисную службу.

### Окончание самопроверки

После окончания программы прибор переключается в обычный режим работы.

## Сервисная служба

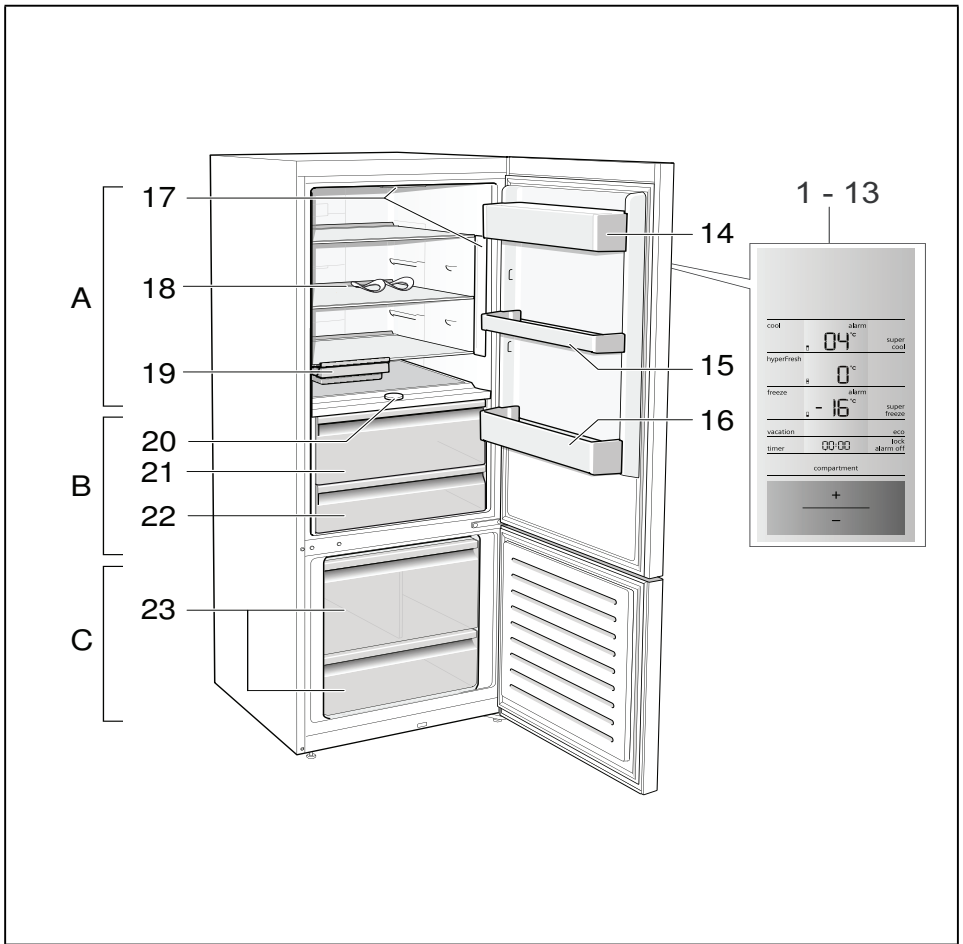
Ближайшую сервисную службу Вы найдете в телефонном справочнике или в списке сервисных служб. При обращении в сервисную службу укажите номер изделия (E-Nr.) и заводской номер (FD-Nr.) прибора.

Эти данные Вы найдете на типовой табличке. Рисунок **12**

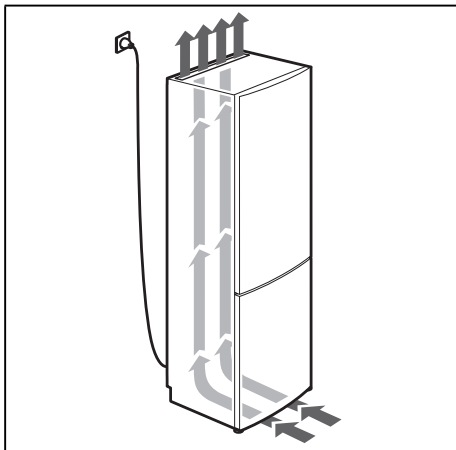
Помогите, пожалуйста, избежать ненужных выездов специалистов, правильно указав заводской номер и номер изделия. Тем самым Вы сэкономите связанные с этим дополнительные расходы.

### Заявка на ремонт и консультация при неполадках

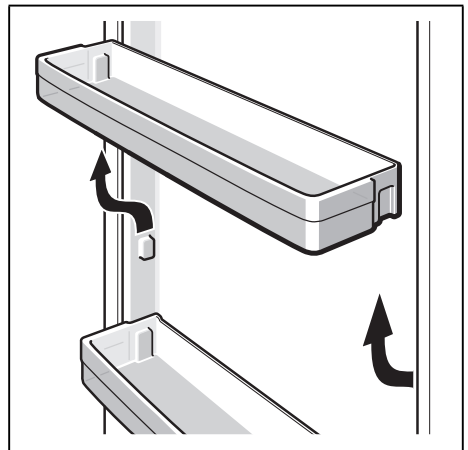
Контактные данные всех стран Вы найдёте в приложенном списке сервисных центров.



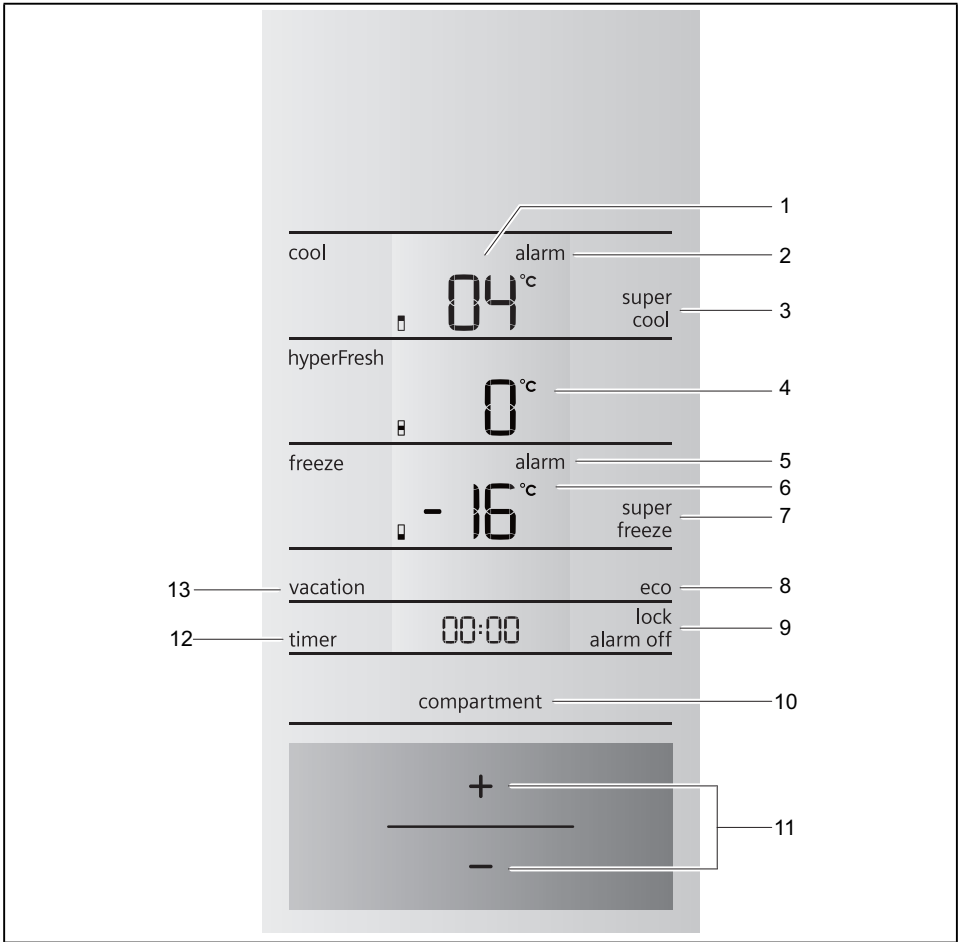
**1**



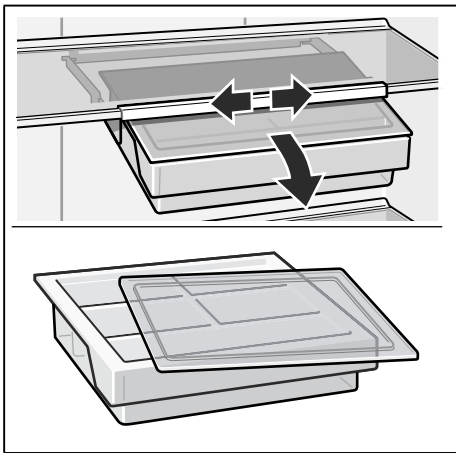
**2**



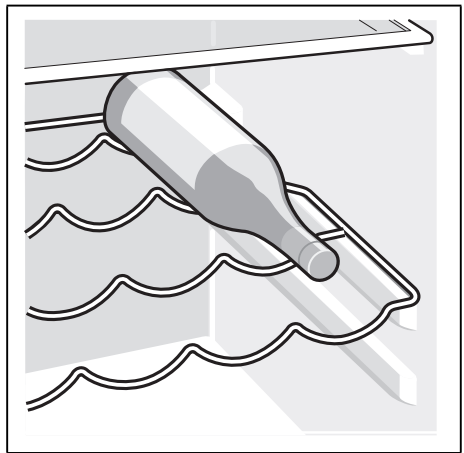
**3**



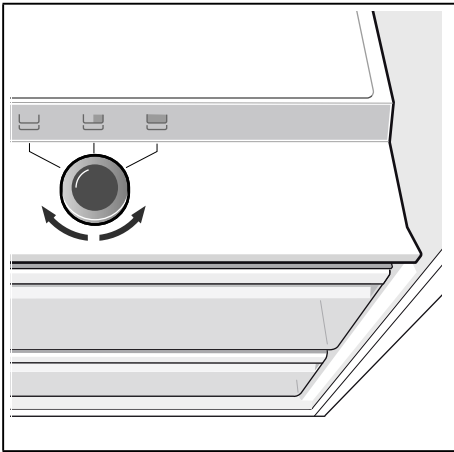
4



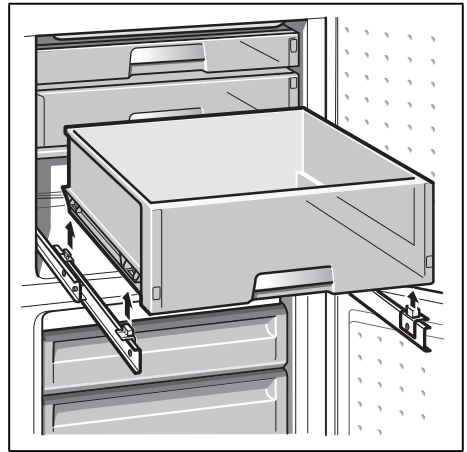
5



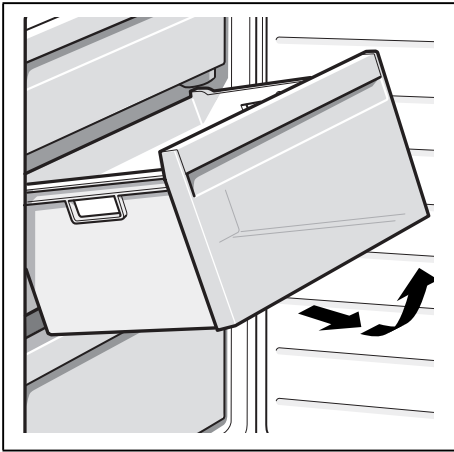
6



7



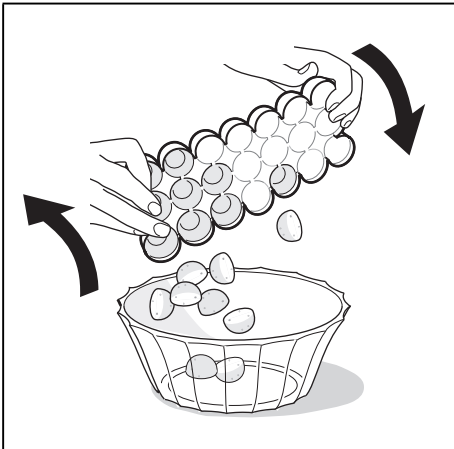
8



9



10



11



12

BSH Hausgeräte GmbH  
Carl-Wery-Straße 34  
81739 München, GERMANY

[siemens-home.bsh-group.com](https://siemens-home.bsh-group.com)

Manufactured by BSH Hausgeräte GmbH under Trademark License of Siemens AG  
Изготовлено ООО «БСХ Бытовые Приборы» под товарным знаком компании Сименс АГ



**8001070857** (9706)

en, ru