

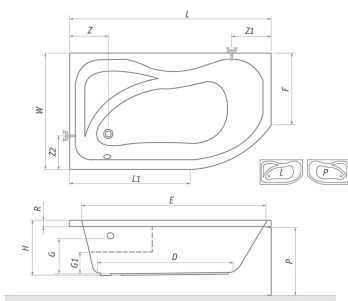
## ACTIVA

### Asymmetric corner acrylic bathtub

We produce this ACTIVA bathtub in three dimensions - 150×90, 160×90 a 170×90 cm. You can choose from left and right design to fit precisely into the bathroom. For this anatomically shaped and very comfortable bathtub we provide you an extended 10-year warranty.

**10**  
LET

Guarantee



ACTIVA	L	W	H	S	G <sub>1</sub>	R	P	P <sub>1</sub>	G <sub>2</sub>	L <sub>1</sub>	L <sub>2</sub>	F	Z	D <sub>1</sub>	D <sub>2</sub>
150x90	150	90	46	330	240	100	45	560	800	150	150	150	210	340	230
160x90	160	90	46	330	240	100	45	560	800	160	160	160	220	340	230
170x90	170	90	46	330	240	100	45	560	800	170	170	170	230	340	230

Type	Order number	Volume	Length	Delivery	Orientation	Width
ACTIVA 150 (L)	8410000	200 l	150 cm	S	Left	90 cm
ACTIVA 150 (R)	8400000	200 l	150 cm	S	Right	90 cm
ACTIVA 160 (L)	8430000	210 l	160 cm	S	Left	90 cm
ACTIVA 160 (R)	8420000	210 l	160 cm	S	Right	90 cm
ACTIVA 170 (L)	8170000	280 l	170 cm	S	Left	90 cm
ACTIVA 170 (R)	8180000	280 l	170 cm	S	Right	90 cm
Front panel /150	8400001	---	150 cm	S	---	58 cm
Front panel /160	8420001	---	160 cm	S	---	58 cm
Front panel /170	8170001	---	170 cm	S	---	58 cm

\* H - height including supporting elements

#### DELIVERY METHOD:

**S** - items in **STOCK** - delivery in the earliest possible date

**O** - items to **ORDER** - delivery time should not exceed 14 working days

**Z** - **CUSTOMIZED** items - delivery time should not exceed 30 working days

**ATTENTION:** Nominal sizes of shower enclosures are designed for **INSTALLATION ON THE TRAY** and they are always assembled with indentation from the edge of the tray. With **INSTALLATION ON THE TILES** there is a risk, that the size of shower enclosure will be smaller than measured width of the tiles. It is necessary to follow the size charts specified in "TECHNICAL SPECIFICATION" file, which is available to download on the product pages.