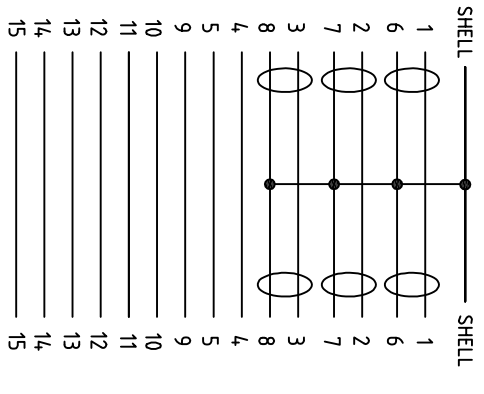
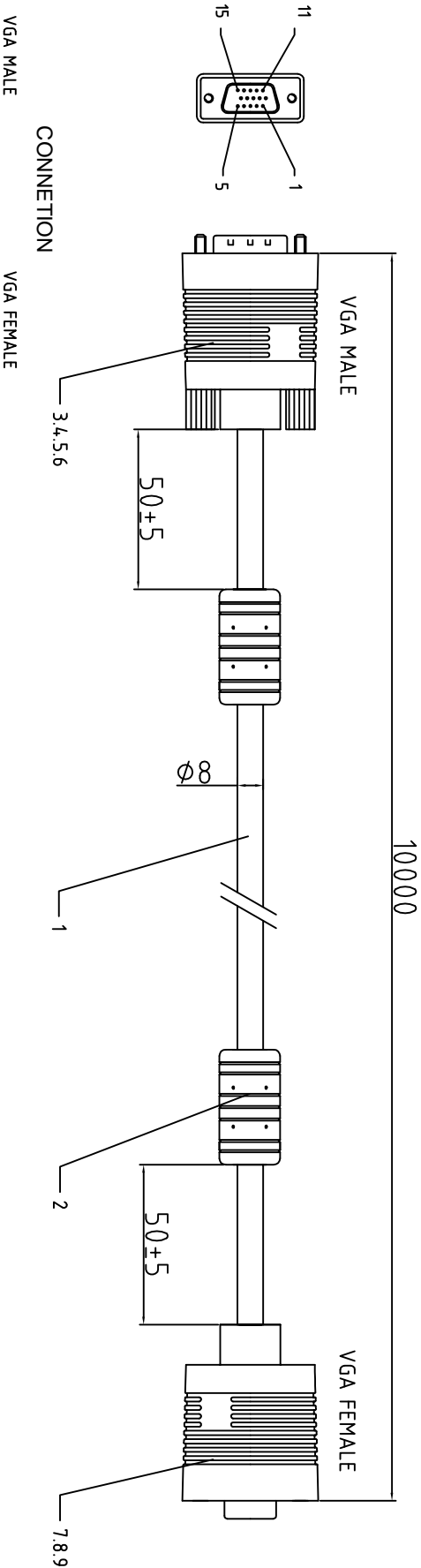


| | |
|--------|-----|
| Scale | 1:1 |
| Unit | MM |
| Remark | |

UNLESS OTHERWISE SPECIFIED,
ALL DIMENSIONS ARE IN METRIC.

PROJECTION PLAN



| ITEM. | PART NO. | DESCRIPTION | UNIT |
|-------|---------------|--------------------------------------------------------------------------|------|
| 1. | vga Cable | (0.3BC+PE+7/0.1BC+AL)×3C +0.3BC×2C+0.3BC×7C+AL+64/0.12ALMG+D+PVC(8.0) | 1 |
| 2. | Ferrite Cores | BLACK molding | 2 |
| 3. | Connector | HDB15M, front nickel behind Tin | 1 |
| 4. | Screw | 2.3×50mm BLACK molding | 2 |
| 5. | Inner mould | Transparent color PE | 1 |
| 6. | Outer mould | BALCK PVC 45P | 1 |
| 7. | Connector | HDB15F, front nickel behind Tin | 1 |
| 8. | Inner mould | Transparent color PE | 1 |
| 9. | Outer mould | BALCK PVC 45P | 1 |

| Revised Details | | | |
|-----------------|-------------|------|----|
| Item. | Description | Date | by |
| △A | | | |

| | |
|---------|-------------|
| Drawn | Kenny Shao |
| Date | Feb.26.2016 |
| Check | |
| Approve | |

| | |
|-----------------------------------------------|-----------------|
| Model: | CC-PPVGAX-10M-B |
| | |
| CHANGZHOU WISTAR ELECTRONICS CO., LTD. | |